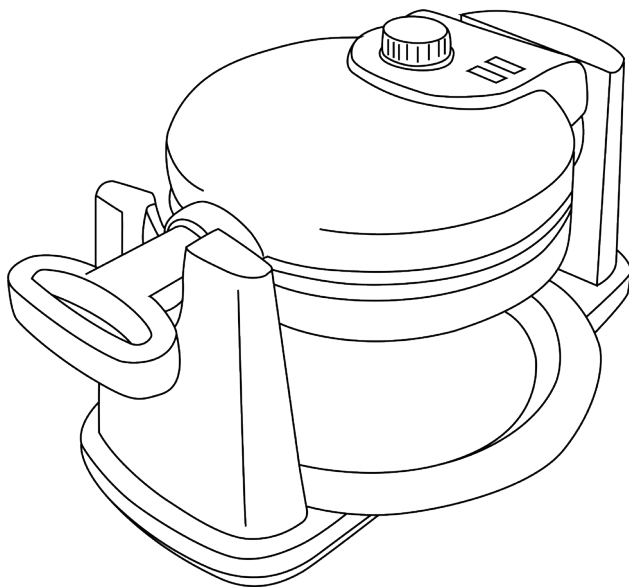


# everten

## 4 SLICE ROUND BELGIAN WAFFLE MAKER

Owner's Manual



### **IMPORTANT**

Read and follow all warnings and instructions before assembly and use. Keep this manual for future reference.

## SPECIFICATIONS

- Model number: 699349
- Voltage: 220 - 240V ~ 50/60Hz
- Power rating: 800W

## PRODUCT FEATURES

Create irresistibly thick, round, golden Belgian waffles with a touch of café-style perfection. This rotating waffle maker ensures even baking on both sides for flawless results every time, while extra deep pockets deliver the fluffiest, most indulgent waffles. Adjust the browning control to suit your taste, and enjoy effortless release with the CeramiQ™ ceramic non-stick plates.

- Rotating feature ensures even baking on both sides for flawless results every time
- Cast aluminium plates with CeramiQ™ non-stick coating, free from PFAS, PTFE, PFOA, lead and cadmium
- Non-stick plates for effortless food release and easy cleaning
- Quick and even cooking thanks to the cast aluminium plate
- Cool touch handle
- Ready to bake indicator light

## ceramiQ™ NON-STICK COATING

The waffle plates feature a hard, durable, ceramic non-stick coating called CeramiQ™ which is more environmentally friendly than traditional non-stick. CeramiQ™ is thermo-resistant, easy to clean, and free from PFAS, PTFE, PFOA, lead and cadmium.

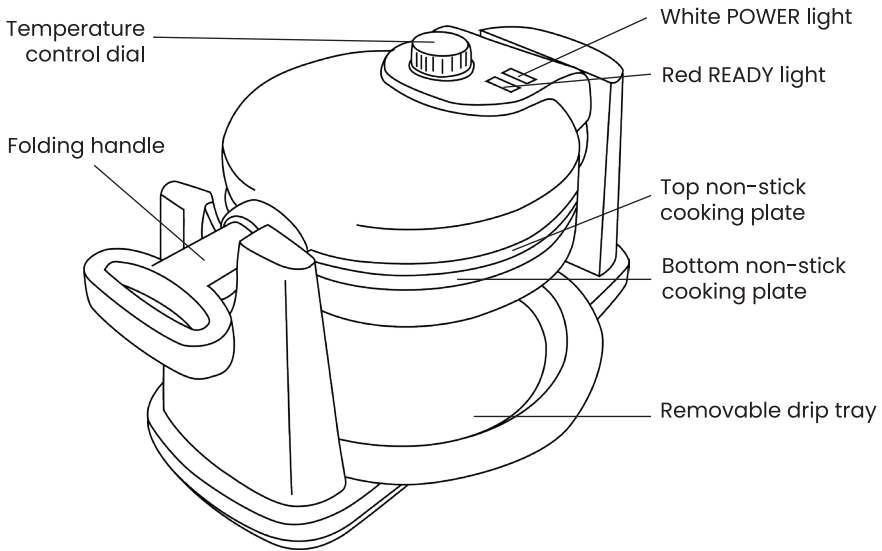
## SAFETY PRECAUTIONS

When using this electrical appliance, basic safety precautions should always be followed to reduce the risk of fire, electric shock, and/or injury, including the following:

1. Read all instructions before using.
2. Ensure the voltage is compliant with the voltage range stated on the rating label.
3. If the supply cord is damaged, it must be replaced by the manufacturer, its service agent or similarly qualified persons in order to avoid a hazard.

4. This appliance is not intended for use by persons (including children) with reduced physical, sensory or mental capabilities, or lack of experience and knowledge, unless they have been given supervision or instruction concerning use of the appliance by a person responsible for their safety.
5. Children should be supervised to ensure that they do not play with the appliance.
6. This appliance is intended to be used in household and similar applications such as:
  - i. Staff kitchen areas in shops, offices and other working environments.
  - ii. Farmhouses.
  - iii. By clients in hotels, motels and other residential type environments.
  - iv. By bed and breakfast type environments.
7. To protect against risk of electric shock, do not place cord, plug or the base of the appliance in water or any other liquid.
8. Do not use attachments or accessories which are not recommended by the manufacturer.
9. The product is only suitable for the purpose indicated in this manual. Do not use this product or any part for other purposes. If it is operated incorrectly, it may cause injury.
10. Always use the appliance on a firm and stable surface and keep it 30cm from other objects and the wall to ensure heat is easily released.
11. Do not place the appliance on or near a hot surface, including a gas or electric stove, or in a heated oven.
12. Do not move the appliance when in use.
13. Not suitable for use with external timers or remote controls.
14. For indoor household use only.
15. Do not place anything on top of the appliance while in operation or when storing.
16. Appliance surfaces can get hot during and after operation. To prevent burns or personal injury always use heat resistant oven mitts or gloves when opening the lid of the appliance.
17. Allow the appliance to cool before cleaning, disassembling, putting in or taking out parts, and storing.
18. Do not operate the appliance with the lid open.

# GET TO KNOW THE EVERTEN 4 SLICE ROUND BELGIAN WAFFLE MAKER

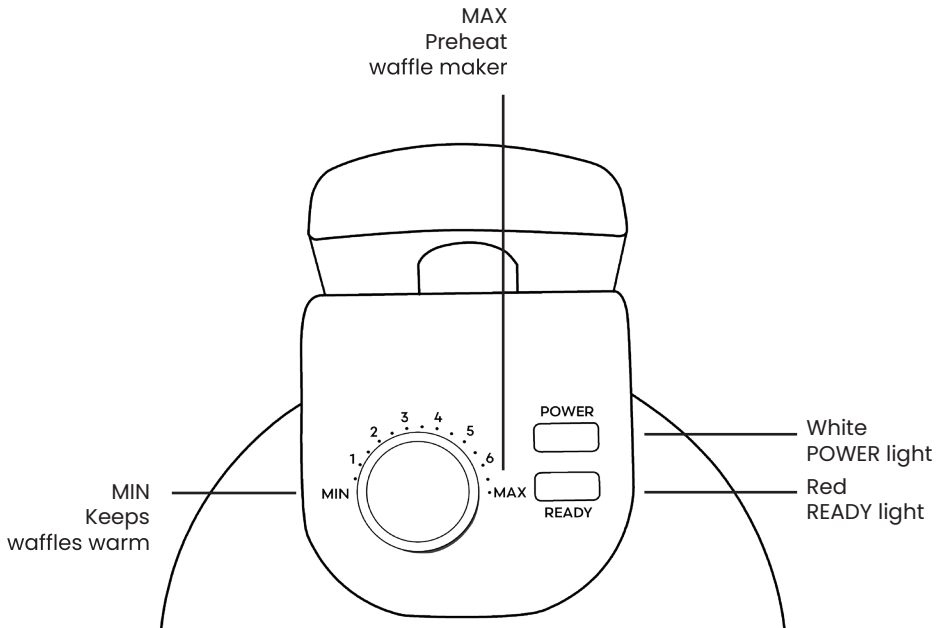


## BEFORE FIRST USE

1. Unpack and remove all packaging materials.
2. Wipe plates with a slightly damp soft cloth. Do not use abrasive cleaners.
3. Set the appliance on a flat, heat resistant surface.
4. Keep the lid closed until ready to use.

# OPERATING INSTRUCTIONS

1. Twist the handle and lift the top cooking plate.
2. Plug the appliance into power. The white POWER light will illuminate.



3. Turn the temperature dial to MAX to preheat.
  - Note: First time use may emit slight smoke or odour. This is normal.
4. While preheating, prepare batter.
5. When the red READY light turns on (after approximately five minutes), the unit is preheated.
6. Adjust temperature based on desired waffle colour:
  - Lower setting = lighter waffle
  - Higher setting = crispier, darker waffle

7. Pour  $\frac{3}{4}$  to 1 cup of batter onto the bottom plate, covering peak areas:
  - Use a spatula to spread if needed. Avoid overfilling.
8. Lower the lid. The red READY light will turn off as baking begins.
9. Rotate the handle 180° to cook the bottom side.
10. The READY light will re-illuminate once cooking is complete.
11. Rotate back to the upright position and unlock.
12. Lift the lid and remove the waffle with a non-metal utensil.
13. If making more, keep the lid closed to retain heat.
14. Unplug when done and allow to cool before cleaning.

## WAFFLE MAKING TIPS

- Recipes may be doubled.
- Sift dry ingredients together; eggs can be added whole unless stated otherwise.
- Stir gently, overmixing results in tough waffles.
- Pour batter to just cover peaks of the lower grid. Avoid overflow.
- Do not open while steam is present, waffles may separate.
- For full-shape waffles, fill the measuring cup to  $\frac{3}{4}$  full.
- Add chocolate chips, fruit, or spices directly to batter.
- Allow waffles to rest approximately 20 mins before freezing.
- Reheat waffles in a toaster or oven.

### **Lower fat waffles:**

- Use skim milk or egg substitutes.
- Use vegetable oil instead of butter.

### **Higher fibre waffles:**

- Use whole wheat flour for part of the recipe.

## CLEANING AND MAINTENANCE

1. Unplug and allow to cool before cleaning.
2. Remove any batter drips immediately.
3. Wipe exterior with a damp cloth, do not submerge any part of the unit.
4. Clean plates with a soft brush or cloth and mild dish soap.
5. To maintain non-stick coating, condition with a light layer of oil occasionally.
6. Use only plastic, nylon, or wooden utensils.
7. For stuck-on batter, apply oil and let sit for five minutes. Wipe with a plastic mesh pad.
8. Do not use steel wool or harsh cleaners.
9. Store with the handle folded and cord loosely wrapped.

## RECIPES

### Peanut Butter Waffles

#### Ingredients:

- 2 cups all purpose flour
- 4 tsp baking powder
- 1 tsp salt
- 2 eggs (separated)
- 4 tbsp sugar
- 1 tsp vanilla
- 2 cups milk
- 1 tbsp vegetable oil
- ½ cup peanut butter

#### Instructions

1. Preheat waffle maker.
2. Mix dry ingredients.
3. Beat egg whites until stiff. Mix yolks, milk, oil and peanut butter.
4. Combine wet and dry, fold in egg whites.
5. Add ¾ cup to the preheated plate.
6. Bake until done, repeat with remaining batter.

## **Chocolate Chip Waffles**

### **Ingredients:**

- 1½ cups all purpose flour
- 2 tsp baking powder
- ½ tsp salt
- 3 eggs (separated)
- 2 tbsp sugar
- 1½ cups milk
- ½ cup vegetable oil
- 1 cup semi-sweet chocolate chips

### **Instructions**

1. Preheat waffle maker.
2. Mix dry ingredients.
3. Beat egg whites
4. Mix yolks, milk, oil.
5. Combine and fold in chocolate chips.
6. Bake using ¾ cup per waffle.

### **Variation:**

- For chocolate waffles, replace ¾ cup flour with cocoa powder

# WARRANTY

## Get in touch with Customer Service

If you experience any issues with your Everten 4 Slice Round Belgian Waffle Maker, get in touch with our Customer Service team by email at [customerservice@kitchenwarehouse.com.au](mailto:customerservice@kitchenwarehouse.com.au) or by phone on 1800 332 934 between the hours of 9am and 7pm (AEST) Monday to Friday. Alternatively you can use the Live Chat function on our website by visiting [www.kitchenwarehouse.com.au/contact-us](http://www.kitchenwarehouse.com.au/contact-us)

## 90 day money back guarantee

We promise you a full refund within 90 days if your Everten product does not fulfil your expectations. This guarantee applies to qualified purchases of all Everten branded products from participating stockists online and in-store from eligible delivery locations. The qualified product must be returned within 90 days from the date of purchase. We shall issue a full refund when the customer presents proof of purchase. We shall issue a store credit when proof of purchase is unavailable. The product packaging is not required to avail of the refund. The amount refunded will be the price of the products in the currency shown on the proof of purchase.

## Warranty

Our goods come with guarantees that cannot be excluded under the Australian Consumer Law. You are entitled to a replacement or refund for a major failure and for compensation for any other reasonably foreseeable loss or damage. You are also entitled to have the goods repaired or replaced if the goods fail to be of acceptable quality and the failure does not amount to a major failure.

The benefits of this warranty are in addition to any rights and remedies imposed by Australian State and Federal legislation that cannot be excluded. Nothing in this warranty excludes, restricts or modifies any State or Federal legislation applicable to the supply of goods which cannot be so excluded, restricted or modified.

## Guarantee

We warrant that, subject to the exclusions and limitations below, the Product will be free from defects in materials and workmanship under normal domestic household use for the 12 month warranty period. The warranty period commences on the date of sale by the original retailer to the original purchaser. The warranty applies only while the Product is owned by the original purchaser.

Use of the Product in a commercial capacity will void this warranty. If a defect appears in the Product before the end of the warranty period and we find the Product to be defective in materials or workmanship, we will replace the Product with a product comparable in quality and value.

We reserve the right to change or discontinue our product ranges at any time without notice and without liability.

## **Exclusions**

This warranty does not apply if proper care and/or usage instructions are not followed. This warranty does not cover scratches, stains, discoloration or damage caused by misuse.

## **How to claim**

If a fault/defect is identified cease using the Product immediately. To make a claim on this guarantee, take the Product, proof of purchase and full details of the alleged defect to any Kitchen Warehouse store.

## **Limitations**

We make no express warranties or representations other than as set out in this guarantee. The replacement of the Product or the refund of the purchase price is the absolute limit of our liability under this guarantee.

Distributed by Kitchen Warehouse.

Everten is a registered trademark of Kitchen Warehouse Pty Ltd. The printed material appearing in this document and related packaging is protected by copyright.

## **Kitchen Warehouse Pty Ltd**

1 Pensioner Guard Road

North Fremantle, WA, 6159

[www.kitchenwarehouse.com.au](http://www.kitchenwarehouse.com.au)

1800 332 934

[customerservice@kitchenwarehouse.com.au](mailto:customerservice@kitchenwarehouse.com.au)