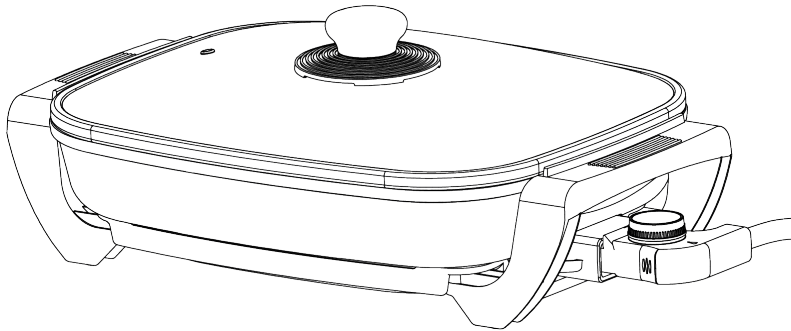


# everten

## ELECTRIC FRYPAN

Owner's Manual



### **IMPORTANT**

Read and follow all warnings and instructions before assembly and use. Keep this manual for future reference.

**EVERTEN** ELECTRIC FRYPAN 699350

## SPECIFICATIONS

- Model number: 699350
- Voltage: 220 - 240V ~ 50/60Hz
- Power rating: 1500W

## PRODUCT FEATURES

The Everten Electric Frypan is your all-in-one cooking companion, ideal for searing, sautéing, baking and frying with ease. Crafted from durable die-cast aluminium, it delivers fast, even heat for perfectly consistent results. The non-stick CeramiQ™ ceramic coating ensures effortless food release and quick cleanup, and it's completely free from PFAS, PTFE, PFOA, lead and cadmium, for safer, healthier cooking every time.

- CeramiQ™ ceramic non-stick inner pot is free from PFAS, PTFE, PFOA, lead and cadmium
- Cool touch handles and a tempered glass lid for safe, convenient cooking
- Large 5.5 litre capacity
- Five adjustable temperature settings up to 230°C

## ceramiQ™ NON-STICK COATING

The frypan features a hard, durable, ceramic non-stick coating called CeramiQ™ which is more environmentally friendly than traditional non-stick. CeramiQ™ is thermo-resistant, easy to clean, and free from PFAS, PTFE, PFOA, lead and cadmium.

# SAFETY PRECAUTIONS

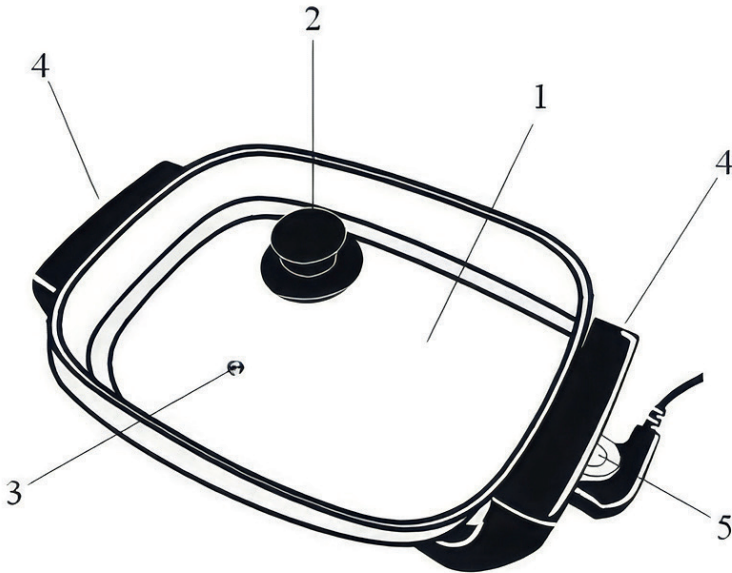
When using this electrical appliance, basic safety precautions should always be followed to reduce the risk of fire, electric shock, and/or injury, including the following:

1. Read all instructions before using.
2. Ensure the voltage is compliant with the voltage range stated on the rating label.
3. If the supply cord is damaged, it must be replaced by the manufacturer, its service agent or similarly qualified persons in order to avoid a hazard.
4. This appliance is not intended for use by persons (including children) with reduced physical, sensory or mental capabilities, or lack of experience and knowledge, unless they have been given supervision or instruction concerning use of the appliance by a person responsible for their safety.
5. Children should be supervised to ensure that they do not play with the appliance.
6. This appliance is intended to be used in household and similar applications such as:
  - i. Staff kitchen areas in shops, offices and other working environments.
  - ii. Farmhouses.
  - iii. By clients in hotels, motels and other residential type environments.
  - iv. By bed and breakfast type environments.
7. To protect against risk of electric shock, do not place cord, plug or the base of the appliance in water or any other liquid.
8. Do not use attachments or accessories which are not recommended by the manufacturer.
9. The product is only suitable for the purpose indicated in this manual. Do not use this product or any part for other purposes. If it is operated incorrectly, it may cause injury.
10. Always use the appliance on a firm and stable surface and keep it 30cm from other objects and the wall to ensure heat is easily released.
11. Do not place the appliance on or near a hot surface, including a gas or electric stove, or in a heated oven.
12. Do not move the appliance when in use.
13. Not suitable for use with external timers or remote controls.
14. For indoor household use only.
15. Do not place anything on top of the appliance while in operation or when storing.
16. Appliance surfaces can get hot during and after operation. To prevent burns or personal injury always use heat resistant oven mitts or gloves when opening the lid of the appliance.

17. Hot steam: Be cautious when lifting the lid. Always tilt it away from you.
18. If heating oil, do not use the lid. If the oil smokes, turn off the unit and allow it to cool.
19. Allow the appliance to cool before cleaning, disassembling, putting in or taking out parts, and storing.
20. Plug the appliance into power before turning the temperature control on.

## GET TO KNOW THE EVERTEN ELECTRIC FRYPAN

1. Tempered glass lid
2. Lid handle
3. Steam vent
4. Handles/legs
5. Temperature control probe



## OPERATING INSTRUCTIONS

1. Ensure the temperature control is set to OFF.
2. Insert the temperature control probe into the socket on the frypan.
3. Plug the appliance into power.
4. Turn the temperature dial to your desired setting.
5. The indicator light will turn on while heating. Once the set temperature is reached, it will cycle on and off to maintain heat.
  - Note: The light may briefly turn on again if the temperature drops when adding food.
6. Preheat the frypan with the lid on for 10 to 15 minutes or until the indicator goes out.
7. Adjust temperature as needed during cooking.
8. A steam vent is built into the lid to allow steam to escape during cooking.

### Cooking tips

- Before first use, brush the cooking surface lightly with oil and heat uncovered on medium heat, then turn off and allow to cool. Wipe off excess oil.
- Use only nylon or heatproof silicone utensils. Metal may scratch the non-stick surface.
- This frypan is not designed for deep frying. If pan-frying, use no more than one cup of oil.
- For sautéing, use peanut or vegetable oil. Avoid olive oil or butter on high heat.

## CLEANING AND MAINTENANCE

1. Let the frypan cool completely before cleaning.
2. Unplug the appliance and remove the temperature control probe. Wipe the probe with a dry towel.
3. Wash the lid in warm, soapy water. Rinse and dry with a soft cloth.
4. Clean the heating plate only with a damp cloth and mild detergent.
5. Do not immerse the heating plate or temperature control probe in water.
6. Do not use steel wool, abrasive cleaners, or scouring pads as they can damage the non-stick surface.
7. Never immerse the temperature control probe in any liquid.
8. Avoid water entering the interior of the appliance.

# WARRANTY

## Get in touch with Customer Service

If you experience any issues with your Everten Electric Frypan, get in touch with our Customer Service team by email at [customerservice@kitchenwarehouse.com.au](mailto:customerservice@kitchenwarehouse.com.au) or by phone on 1800 332 934 between the hours of 9am and 7pm (AEST) Monday to Friday. Alternatively you can use the Live Chat function on our website by visiting [www.kitchenwarehouse.com.au/contact-us](http://www.kitchenwarehouse.com.au/contact-us)

## 90 day money back guarantee

We promise you a full refund within 90 days if your Everten product does not fulfil your expectations. This guarantee applies to qualified purchases of all Everten branded products from participating stockists online and in-store from eligible delivery locations. The qualified product must be returned within 90 days from the date of purchase. We shall issue a full refund when the customer presents proof of purchase. We shall issue a store credit when proof of purchase is unavailable. The product packaging is not required to avail of the refund. The amount refunded will be the price of the products in the currency shown on the proof of purchase.

## Warranty

Our goods come with guarantees that cannot be excluded under the Australian Consumer Law. You are entitled to a replacement or refund for a major failure and for compensation for any other reasonably foreseeable loss or damage. You are also entitled to have the goods repaired or replaced if the goods fail to be of acceptable quality and the failure does not amount to a major failure.

The benefits of this warranty are in addition to any rights and remedies imposed by Australian State and Federal legislation that cannot be excluded. Nothing in this warranty excludes, restricts or modifies any State or Federal legislation applicable to the supply of goods which cannot be so excluded, restricted or modified.

## Guarantee

We warrant that, subject to the exclusions and limitations below, the Product will be free from defects in materials and workmanship under normal domestic household use for the 12 month warranty period. The warranty period commences on the date of sale by the original retailer to the original purchaser. The warranty applies only while the Product is owned by the original purchaser.

Use of the Product in a commercial capacity will void this warranty. If a defect appears in the Product before the end of the warranty period and we find the Product to be defective in materials or workmanship, we will replace the Product with a product comparable in quality and value.

We reserve the right to change or discontinue our product ranges at any time without notice and without liability.

## **Exclusions**

This warranty does not apply if proper care and/or usage instructions are not followed. This warranty does not cover scratches, stains, discoloration or damage caused by misuse.

## **How to claim**

If a fault/defect is identified cease using the Product immediately. To make a claim on this guarantee, take the Product, proof of purchase and full details of the alleged defect to any Kitchen Warehouse store.

## **Limitations**

We make no express warranties or representations other than as set out in this guarantee. The replacement of the Product or the refund of the purchase price is the absolute limit of our liability under this guarantee.

Distributed by Kitchen Warehouse.

Everten is a registered trademark of Kitchen Warehouse Pty Ltd. The printed material appearing in this document and related packaging is protected by copyright.

## **Kitchen Warehouse Pty Ltd**

1 Pensioner Guard Road

North Fremantle, WA, 6159

[www.kitchenwarehouse.com.au](http://www.kitchenwarehouse.com.au)

1800 332 934

[customerservice@kitchenwarehouse.com.au](mailto:customerservice@kitchenwarehouse.com.au)