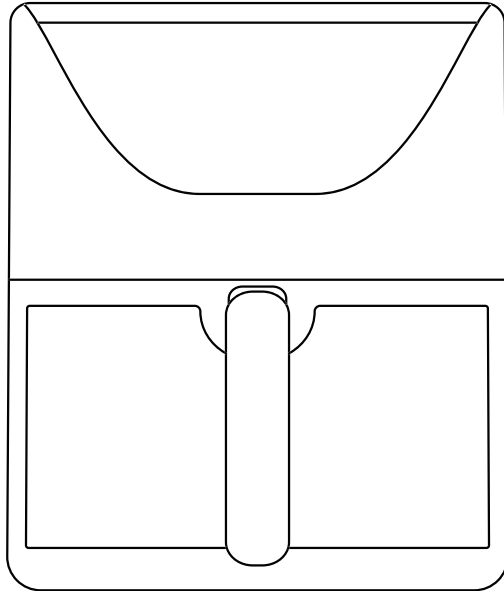


# everten

## EXPRESS SLIM AIR FRYER 8L

Owner's Manual



### **IMPORTANT**

Read and follow all warnings and instructions before assembly and use. Keep this manual for future reference.

## SPECIFICATIONS

- Model number: 683402
- Voltage: 220 - 240V ~ 50/60Hz
- Power rating: 2000W
- Temperature range: 80°C to 200°C
- Timing range: 1 to 60 minutes
- Product weight: 5.2 kg

## PRODUCT FEATURES

Everything's coming out golden, crispy and crunchy with this versatile digital air fryer with a slim design, user-friendly control panel, removable basket and a tempered glass window for easy monitoring.

- Eight litre capacity big enough for meal prep or just a little snack
- Eight automatic cooking programs: Chips, Roast, Meat, Frozen, Veg, Fish, Reheat, Bake
- CeramiQ™ ceramic non-stick crisping tray makes cooking healthier and cleaning easier
- 60 minute timer and temperature range of 80°C to 200°C
- Removable basket so you can shake ingredients midway for extra crispy goodness

## ceramiQ™ NON-STICK COATING

The basket features a hard, durable, ceramic non-stick coating called CeramiQ™ which is a healthier alternative to traditional non-stick. CeramiQ™ is thermo-resistant, easy to clean, and free from lead, cadmium, PFOA and PFAS.

# SAFETY PRECAUTIONS

When using this electrical appliance, basic safety precautions should always be followed to reduce the risk of fire, electric shock, and/or injury, including the following:

1. Read all instructions before using.
2. Ensure the voltage is compliant with the voltage range stated on the rating label.
3. If the electrical cord is damaged, it must be replaced by the manufacturer or its service agent or a similarly qualified person in order to avoid a hazard.
4. This appliance is not intended for use by persons (including children) with reduced physical, sensory or mental capabilities, or lack of experience and knowledge, unless they have been given supervision or instruction concerning use of the appliance by a person responsible for their safety.
5. Children should be supervised to ensure that they do not play with the appliance.
6. This appliance is intended to be used in household and similar applications such as:
  - A. Staff kitchen areas in shops, offices and other working environments.
  - B. Farmhouses.
  - C. By clients in hotels, motels and other residential type environments.
  - D. By bed and breakfast type environments.
7. To protect against risk of electric shock, do not place cord, plug or the base of the appliance in water or any other liquid.
8. Do not use attachments or accessories which are not recommended by the manufacturer.
9. To avoid danger, the product is only suitable for the purpose indicated in this manual. Do not use this product or any part for other purposes. If it is operated incorrectly, it may cause injury.
10. Place the air fryer on a flat, heat resistant surface. Keep the air fryer at least 10 cm away from walls and other objects to ensure proper air circulation.
11. Do not place the air fryer near flammable materials or heat sources. Keep it away from curtains and other similar items to prevent fire hazards.
12. Do not operate the air fryer on top of other electric appliances, such as a ceramic stovetop or electric oven.
13. Do not use attachments or accessories which are not recommended by the manufacturer.
14. Do not use outdoors.
15. Ensure that the frying drawer is locked securely into the body of the air fryer prior to operation. The appliance will not operate unless the air fryer drawer is closed.
16. Never clean with scouring powders, pads or hard implements.

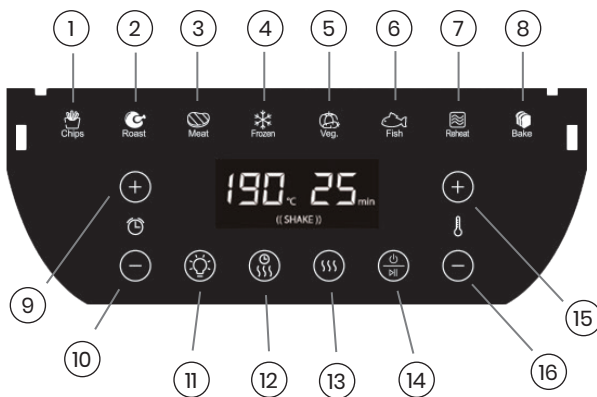
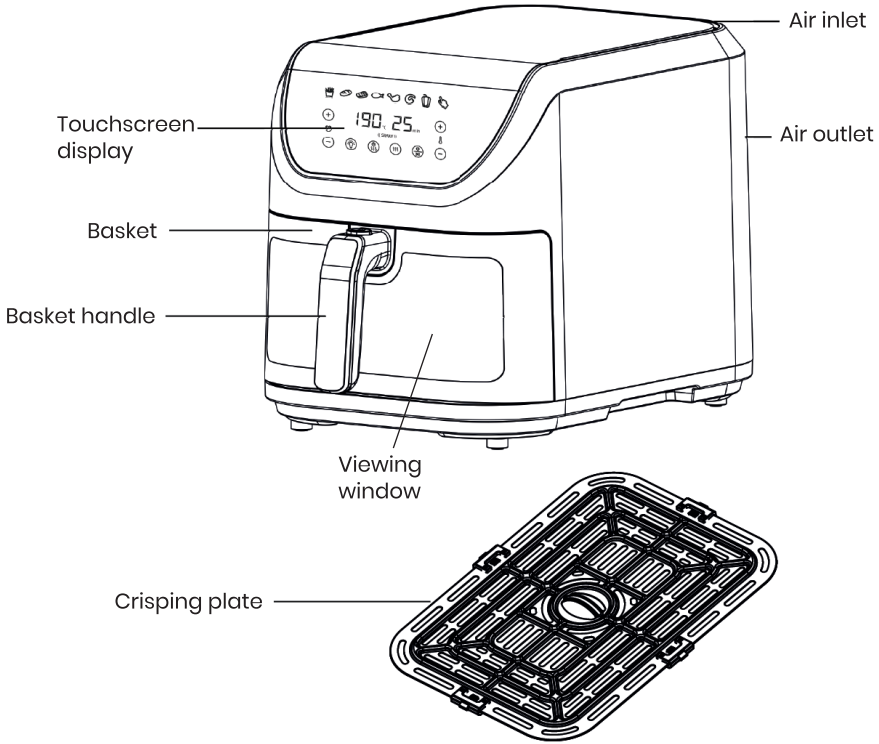
17. Avoid entangling the power cord with other objects, and do not allow it to come into contact with hot surfaces such as gas, electric heaters, heat lamps, or heating appliances.
18. Do not place any objects on top of the air fryer, as it will disturb the airflow and affect the cooking result and ensure it is not covered with anything flammable (e.g. fabric, paper, plastic).
19. Do not move the air fryer when it is in operation.
20. When adding or removing food, wear heat resistant gloves with thermal protection and insulation.
21. Oversized foods and metal utensils must not be inserted into the air fryer as this may create a fire or risk of electric shock.
22. Do not overfill the air fryer basket as this may damage the appliance and could result in injury.
23. Do not touch the outer surface of the air fryer when it is hot.
24. Never use the air fryer for purposes other than cooking, heating or defrosting food.
25. The air fryer should not be used to boil water or other liquids or for deep frying.
26. Warning: Never heat a closed container in the air fryer to avoid explosion.
27. If at any time you see dark smoke coming from the air fryer, immediately switch off and unplug the appliance. Wait for the smoke to clear before you open the appliance.
28. After use, extreme caution must be used when handling the air fryer drawers, crisping plates and meal racks. Allow the appliance to cool for 30 minutes before cleaning or storing.
29. After using the air fryer or when it is not used for a long time, turn it off and unplug the power plug.
30. This product cannot be operated with an external timer or remote control system.

### **Warning: High temperatures**



Warning: The accessible parts may become hot during use. The air fryer should be kept out of reach of children. The product generates heat during operation, and the temperature of the heating element in the air fryer is very high. The outer surface of the air fryer with the 'high temperature caution' logo will become hot during use. For a period of time after the end of operation, the temperature of the outer surface may remain very high. DO NOT touch it or move it.

# GET TO KNOW THE EVERTEN EXPRESS SLIM AIR FRYER



1. Chips
2. Roast
3. Meat
4. Frozen
5. Veg
6. Fish
7. Reheat
8. Bake
9. Timer +
10. Timer -
11. Light
12. Preheat
13. Keep warm
14. Start/Pause/  
On/Off button  
(all in one)
15. Temperature +
16. Temperature -

## BEFORE FIRST USE

- Check voltage: Ensure that the voltage of your home matches the voltage indicated on the air fryer.
- Remove all packaging: Dispose of all packaging materials, including any temporary labels on the air fryer to avoid the risk of fire.
- Clean the drawer and crisping plate with warm soapy water and a non-abrasive sponge and dry completely. To extend the life of these parts, we recommend hand washing. Never immerse the main body of the appliance in water.
- Before first use, it's important to run the air fryer for 15 minutes to cook off any residues. To do this, turn the air fryer on and choose the air fry preset program. At the completion of the cycle, open the frying basket to release any oily smoke. Note: Due to the protective coating against salt corrosion on the heating tubes, it is normal to notice a non-toxic odour or soot during the first use.

## OPERATING INSTRUCTIONS

1. To turn on the unit, plug the power cord into a wall socket, then press the power button. Upon powering on, all lights and the display will briefly illuminate (for one second), followed by a long beep. The device will then enter Function Menu mode.
2. Gently pull out the frying basket and insert the crisping plate into it. Do not use the basket without the crisping plate.
3. Add ingredients to the basket. Note: Do not pour oil or liquids directly into the crisping tray or basket. If using oil, coat ingredients evenly before adding them to the air fryer basket and crisping tray, rather than pouring the oil over ingredients when they are in the basket.
4. Insert the basket back into the air fryer securely.
5. Press the Start/Pause icon to activate the display. Choose your desired preset cooking program and press Start/Pause to start cooking.
6. To turn off the device at any time, press and hold the Start/Pause (On/Off) button for two seconds until it powers down.

### Adjusting the cooking time and temperature

To select a cooking program, press the corresponding menu icon.

Once a menu is selected, you can adjust the time and temperature. These settings can be adjusted before starting, while paused, or even while cooking. If the Start/Pause button is not pressed within one minute of selecting or adjusting settings, the device will exit function selection mode.

## Time

Use the + and – buttons to adjust the time in one minute increments, between one to 60 minutes. Press and hold for a rapid increase or decrease.

## Temperature

Adjust using the + and – buttons in 5°C increments, ranging from 80°C to 200°C. Press and hold to change the temperature quickly. Press the Start/Pause icon to begin cooking.

While cooking, you may press the Start/Pause icon to pause the program. While paused, you can:

- Resume the same program
- Adjust time/temperature

Pressing the Start/Pause icon again will resume cooking.

## Air fryer light

Press the light icon to turn the oven light on or off:

- Light flashes when active
- Light is steady when off
- Max light duration: 60 seconds

Do not touch the basket while cooking or until it cools. Always open and carry the basket using the basket handle to prevent burning.

## Start/Pause button functions

- Short press: Start, pause or resume cooking
- When paused:
  - ◇ Heating stops immediately
  - ◇ Fan stops after 20 seconds
  - ◇ Remaining time and temperature flash
  - ◇ Active menu button also flashes
  - ◇ Light, power, +, and – buttons remain usable; other buttons are disabled
- Press and hold for two seconds to exit pause mode and enter standby
- If no activity for five minutes, device enters standby mode

## Preheat function

- After choosing your desired preset cooking program, press the preheat button (icon will flash).
- Press Start/Pause to begin preheating.
- Display shows 'PrE' while heating
- When preheating completes (after five minutes or reaching temperature), display shows 'Add' to prompt you to load food.
- Open the basket, load ingredients, and close the basket.
- Press Start/Pause to begin cooking.

Note: If preheat is enabled, two minutes are automatically deducted from the total cooking time. Preheat can only be selected before cooking starts.

## Keep warm function

- To use the keep warm function, first set your cooking program with the desired time and temperature. Then, press the keep warm button. It will start flashing to show the function is selected.
- Next, press the Pause/Start button to begin the cooking program. The keep warm button will stay on while cooking.
- When the cooking is finished, the air fryer will beep three times, signaling that the keep warm function has started. It will keep the food warm at 80°C for 15 minutes. You'll see a countdown of time and temperature. When less than one minute is left, the time will be shown in seconds, and "MIN" will disappear.
- Once the keep warm countdown finishes, the air fryer will go into standby mode.

## Shake reminder

- Automatically activates if the cooking time is six minutes or more.
- A single beep and SHAKE will start flashing to prompt the user to shake the basket.
- To shake: Carefully remove the basket by the handle and shake gently to avoid burns or spilling food. Return the basket to continue cooking.
- The SHAKE reminder will stop flashing once acknowledged.

## Cooking tips

- For crispier results, toss or brush ingredients with a bit of oil before air frying. Cook shortly after adding oil.
- Avoid using overly greasy ingredients like sausages.

- To cook delicate items (e.g. cakes, quiches, or filled pastries), use an oven safe baking tin, silicone air fryer insert or dish placed inside the basket.
- Baking times may vary depending on:
  - ◊ The quantity of ingredients
  - ◊ The type (homemade or frozen)
  - ◊ The cooking temperature

### Preset cooking time and temperature

Preset	Default time	Time range	Default temperature	Temperature range
Chips (fries)	20 mins	1 to 60 mins	200°C	80°C to 200°C
Roast (meat and vegetables)	35 mins	1 to 60 mins	195°C	80°C to 200°C
Meat (steak, beef, lamb)	15 mins	1 to 60 mins	180°C	80°C to 200°C
Frozen (frozen snacks like frozen nuggets, frozen mini pizzas, frozen hash browns)	15 mins	1 to 60 mins	185°C	80°C to 200°C
Veg (vegetables)	12 mins	1 to 60 mins	150°C	80°C to 200°C
Fish (seafood and fish)	20 mins	1 to 60 mins	180°C	80°C to 200°C
Reheat	7 mins	1 to 60 mins	150°C	80°C to 200°C
Bake	30 mins	1 to 60 mins	160°C	80°C to 200°C

## CLEANING AND MAINTENANCE

1. Always unplug the air fryer and disconnect electricity before cleaning and allow the air fryer to cool completely.
2. To clean the exterior of the appliance, wipe it with a clean, damp cloth. Never submerge in water and never wash it in the dishwasher.
3. After each use, clean the drawer and crisping plate with warm, soapy water to prevent the buildup of food and other residue. If food residue remains stuck, soak them in warm soapy water and gently scrub with a non-abrasive sponge.
4. If you don't plan to use the air fryer for a long period, clean and dry it thoroughly before storing.
5. Dishwasher safe: The air frying basket and inner crisping tray can be washed by hand in warm soapy water, or washed in the dishwasher, but it is recommended to wash by hand in order to preserve the lifespan of the non-stick coating.

## TROUBLESHOOTING

Here are some possible issues with your air fryer and solutions for troubleshooting. If problems persist or the machine is seriously damaged, please contact Kitchen Warehouse Customer Service for assistance.

<b>Issue</b>	<b>Possible cause</b>	<b>Solution</b>
The appliance does not work	The appliance is not plugged in	Plug the appliance into an earthed socket.
	The timer is not set	Set the timer to the desired cooking time.
The ingredients are not thoroughly cooked	Too many ingredients in the basket	Cook smaller batches for better air circulation.
	The cooking time is too short	Increase the cooking time as needed.
	The temperature is too low	Adjust and increase the temperature setting.
The ingredients are cooked unevenly	Some ingredients need to be shaken during cooking	Carefully remove and shake the basket halfway through the cooking process.
The display shows <b>E1</b>	Open circuit	Unplug the appliance and allow it to cool down before using again.
The display shows <b>E2</b>	Short circuit	Unplug the appliance and contact customer service if the issue persists.
The display shows <b>E3</b>	Overheating	Remove the basket and let the appliance cool down before resuming cooking.

# WARRANTY

## Get in touch with Customer Service

If you experience any issues with your Everten Express Slim Air Fryer, get in touch with our Customer Service team by email at [customerservice@kitchenwarehouse.com.au](mailto:customerservice@kitchenwarehouse.com.au) or by phone on 1800 332 934 between the hours of 9am and 7pm (AEST) Monday to Friday. Alternatively you can use the Live Chat function on our website by visiting [www.kitchenwarehouse.com.au/contact-us](http://www.kitchenwarehouse.com.au/contact-us)

## 90 day money back guarantee

We promise you a full refund within 90 days if your Everten product does not fulfil your expectations. This guarantee applies to qualified purchases of all Everten branded products from participating stockists online and in-store from eligible delivery locations. The qualified product must be returned within 90 days from the date of purchase. We shall issue a full refund when the customer presents proof of purchase. We shall issue a store credit when proof of purchase is unavailable. The product packaging is not required to avail of the refund. The amount refunded will be the price of the products in the currency shown on the proof of purchase.

## Warranty

Our goods come with guarantees that cannot be excluded under the Australian Consumer Law. You are entitled to a replacement or refund for a major failure and for compensation for any other reasonably foreseeable loss or damage. You are also entitled to have the goods repaired or replaced if the goods fail to be of acceptable quality and the failure does not amount to a major failure.

The benefits of this warranty are in addition to any rights and remedies imposed by Australian State and Federal legislation that cannot be excluded. Nothing in this warranty excludes, restricts or modifies any State or Federal legislation applicable to the supply of goods which cannot be so excluded, restricted or modified.

## Guarantee

We warrant that, subject to the exclusions and limitations below, the Product will be free from defects in materials and workmanship under normal domestic household use for the 12 month warranty period. The warranty period commences on the date of sale by the original retailer to the original purchaser. The warranty applies only while the Product is owned by the original purchaser.

Use of the Product in a commercial capacity will void this warranty. If a defect appears in the Product before the end of the warranty period and we find the Product to be defective in materials or workmanship, we will replace the Product with a product comparable in quality and value.

We reserve the right to change or discontinue our product ranges at any time without notice and without liability.

## **Exclusions**

This warranty does not apply if proper care and/or usage instructions are not followed. This warranty does not cover scratches, stains, discoloration or damage caused by misuse.

## **How to claim**

If a fault/defect is identified cease using the Product immediately. To make a claim on this guarantee, take the Product, proof of purchase and full details of the alleged defect to any Kitchen Warehouse store.

## **Limitations**

We make no express warranties or representations other than as set out in this guarantee. The replacement of the Product or the refund of the purchase price is the absolute limit of our liability under this guarantee.

Distributed by Kitchen Warehouse.

Everten is a registered trademark of Kitchen Warehouse Pty Ltd. The printed material appearing in this document and related packaging is protected by copyright.

### **Kitchen Warehouse Pty Ltd**

1 Pensioner Guard Road

North Fremantle, WA, 6159

[www.kitchenwarehouse.com.au](http://www.kitchenwarehouse.com.au)

1800 332 934

[customerservice@kitchenwarehouse.com.au](mailto:customerservice@kitchenwarehouse.com.au)