

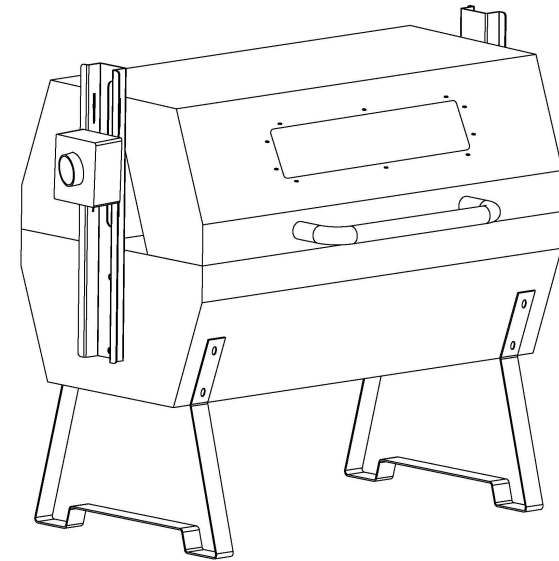
Part List

- | | |
|-------------------------|----------------------|
| (1) Handle for rod 1pc | (8) Stove tub 1pc |
| (2) Spit Rod 1pc | (9) Motor 1pc |
| (3) Forks 2pcs | (10) Bracket (L) 1pc |
| (4) Cooking Grills 2pcs | (11) Hood handle 1pc |
| (5) Charcoal Grate 1pc | (12) Couper 1pc |
| (6) Bracket (R) 1pc | (13) Hood 1pc |
| (7) Feet 2pcs | (14) Hood Latch 2pcs |

Assembly Tips:

- Do not fasten the screws when assembling, mount bolts only for a few of threads, then fasten them all.
- Wear working gloves to protect your hands when assembly.
- Put the motor and spit rod on the brackets, adjust them properly in position, make sure the tip of the spit rod is inserted into the notch on the motor, then fasten and tighten the coupler. Spit rod might come out if coupler is not fastened.

BBQ Spit Rotisserie with Hood Instructions



SAFETY

- Use outdoors only. Read the instructions before using this appliance.
- Accessible parts may be very hot. Keep young children and pets away.
- Do not move the appliance during use.
- Use protective gloves when handling hot components.
- Any modifications of the appliance may be dangerous.
- Cleaning and storage when the appliance is fully cold.