

# LENOXX™

## Electric Log Fireplace Heater



Model: L170 | Batch: PR4939

Carefully read all instructions before use and save for future reference.

INDOOR HOUSEHOLD USE ONLY

# SAFETY INSTRUCTIONS

When using this fireplace, basic precautions should always be taken to reduce the risk of fire, electric shock and injury to persons, including the following:

**CAUTION** – Due to the high temperature, keep electrical cords, drapery and other furnishings at least 1 meter from the front, side and rear of the fireplace.

**CAUTION - HOT!** The heater is hot when it is in use. To avoid burns, do not let bare skin touch hot surfaces.

1. Read ALL instructions before using this unit.
2. Remove the unit from its packaging and check to make sure it is in good condition before use.
3. Do not let children play with any parts of the packing (such as plastic bags, etc.).
4. Check the household voltage to ensure that it matches the fireplace's rated specification.
5. **CAUTION:** Risk of Electric Shock. **DO NOT** open or try to repair the heater by yourself.
6. Keep combustible materials, such as furniture, pillows, bedding, paper, clothes, and curtains at least 1 meter from the front of the heater and keep them away from the sides, top, and rear. **DO NOT** place towels or other objects on the heater.
7. Use on a flat surface only.
8. Extreme caution is necessary when any heater is used by or near children or the disabled, or when the heater is left operating and unattended.
9. **DO NOT** operate the if the cord becomes damaged or after the heater malfunctions, has been dropped or damaged in any manner. Return the heater to an authorised service facility for examination, electrical or mechanical adjustment, or repair.

10. Always store the fireplace in a dry area free from any moisture.
11. This fireplace heater is not intended for use in bathrooms, laundry areas, or similar indoor locations. Never place the fireplace where it may fall into a bathtub or get exposed to water in any way.
12. DO NOT touch the control panel or plug with wet hands.
13. DO NOT run the cord under carpets or rugs. Arrange the cord away from the traffic area so that it will not be tripped over.
14. DO NOT insert or allow foreign objects to enter any ventilation or exhaust opening as this may cause an electric shock or fire or damage the heater.
15. To prevent a possible fire, DO NOT block the air intakes or exhaust in any manner. DO NOT use on soft surfaces, like a bed or high pile carpets, where openings may become blocked.
16. Do not use in places where gasoline, paint, or other flammable liquids are used or stored. Do not use when flammable sprays, solvents or glues are in use. Keep the unit away from heated surfaces and open flames.
17. Always plug heaters directly into a wall power outlet. Never use with an extension cord or power strip.
18. To avoid fire or shock hazards, plug the unit directly into a 220 V AC electrical outlet.
19. To disconnect the heater, turn the controls OFF, then remove the plug from the outlet. Pull firmly on the plug, DO NOT unplug by pulling on the cord.
20. Always unplug the unit before moving or cleaning, or whenever the heater is not in use.
21. Use only for intended household use as described in this manual. Any other use not recommended by the manufacturer may cause fire, electric shock, or injury to persons. The use of attachments not recommended or sold by unauthorised dealers may cause hazards.
22. Always use on a dry, level surface. Use on the floor only.
23. DO NOT use outdoors.
24. WARNING: To reduce the risk of fire or electric shock, DO NOT use this heater with any external control units.
25. DO NOT attempt to repair or adjust this unit's electrical or mechanical functions. Doing so will void your warranty. The inside of the unit

contains no user-serviceable parts. Only qualified personnel should perform all servicing.

26. It is not intended to be used in commercial, industrial or agricultural settings.
27. This appliance is not intended for use by persons (including children) with reduced physical, sensory or mental capabilities, or lack of experience or knowledge unless they have been given supervision or instruction concerning the use of the appliance by a person responsible for their safety. Close supervision is necessary when the product is used by or near children or invalids. Children should be supervised to ensure that they do not play with the appliance.
28. This appliance is intended to be used in households and similar applications such as:
  - staff kitchen areas in shops, offices and other working environments;
  - farm houses;
  - by clients in hotels, motels and other residential-type environments;
  - bed and breakfast type environments

Model	LF170
Voltage	220V 50Hz
Power	2000W

## OVERHEAT SAFETY FEATURE

This heater is equipped with an overheat protection safety feature. When the heater's internal components reach a certain temperature that could cause overheating and possible fire, the heater will automatically shut off.

NOTE: It is normal for the power cord to feel warm to the touch; however, a loose fit between the outlet and the plug may cause overheating of the plug. If this occurs, try inserting the plug into a different outlet. Contact a qualified electrician to inspect the original outlet for damage.

# GETTING STARTED

## IN THE BOX

- Electric Fireplace
- 4 x legs
- 12 x screws
- Instruction Manual

## PREPARATION

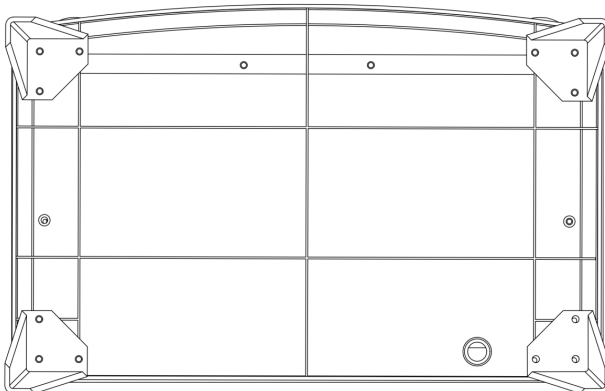
Before beginning assembly of the product, make sure all parts are present. Compare parts with the package contents listed above. If any part is missing or damaged, do not attempt to assemble the product. Contact customer service for replacement parts.

Tools required for assembly (not included): Phillips screwdriver

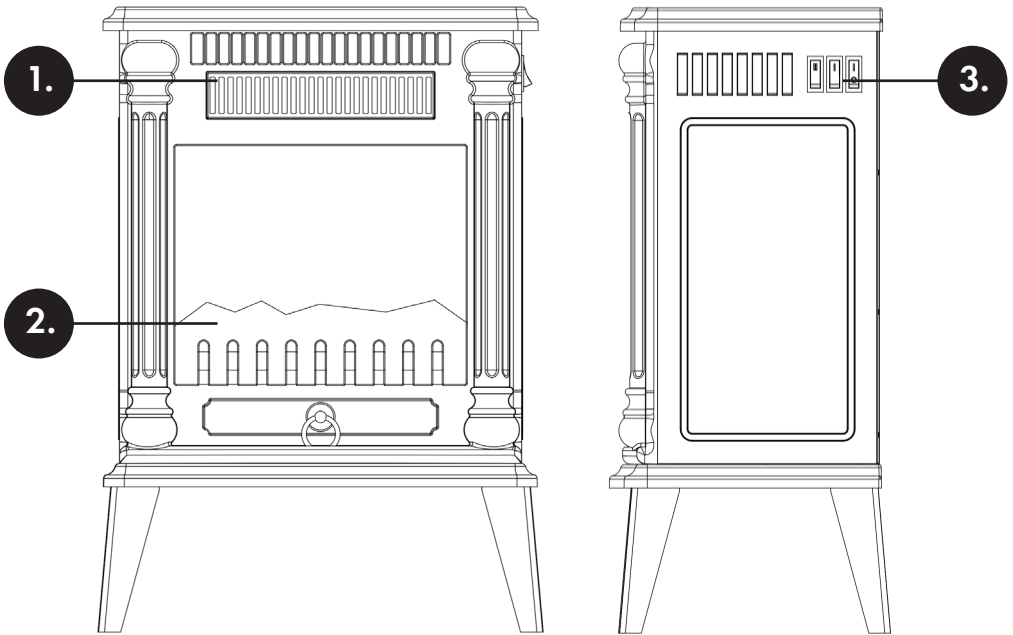
## ASSEMBLY INSTRUCTIONS

Before using the heater, the legs (supplied separately in the carton), must be fitted to the unit.

1. Place the heater upside down on a soft cloth or carpet (to avoid causing any damage during assembly of the legs).
2. Position the legs to align with the location of the corresponding holes on the base of the heater, secure them with the screws supplied and tighten them with a screwdriver.



# PRODUCT OVERVIEW



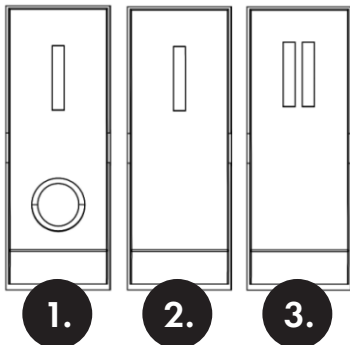
1. Air Outlet

2. Log Fire Flame Effect

3. Control Switches

## OPERATING YOUR HEATER

Once the fireplace heater has been properly assembled and connected to an electrical outlet, it is ready to operate.



1.

2.

3.

1. Power ON/OFF
2. I Heat Switch - low heat setting - when the heater is turned on, press this switch for 1000W power
3. II Heat Switch - high heat setting - when the first two switches are turned on, press this switch to increase the heating power to 2000W

# CLEANING, CARE AND MAINTENANCE

## Glass Information

- Under no circumstances should this product be operated with missing or broken glass.
- Do not strike or slam the glass.
- Do not use abrasive cleaners to clean the glass.

## Cleaning

- To clean the unit, first, turn off the controls and unplug the unit from a power source.
- To clean the glass door: remove dust with a clean, dry cloth. To remove fingerprints and other marks, clean the glass with a clean damp cloth. Do not use abrasive cleaners or spray liquids on glass door surfaces.
- Metal parts should be cleaned with a clean, damp cloth only. Do not use abrasive cleaners or spray liquids on this surface.

## Storage

Store the heater in a cool, dry location when not in use. To prevent dust and dirt build-up, it is recommended to use the original packaging to store the unit.

## Troubleshooting

If your heater isn't working, try these simple checks before calling for repairs:

1. Confirm the power cord is plugged into an electrical outlet. If it's not, plug it in.
2. Check if the outlet has electricity.

# **LENOXX™**

[www.lenoxx.com.au](http://www.lenoxx.com.au)



1300 666 848



LenoxxElectronics



LenoxxElectronics