

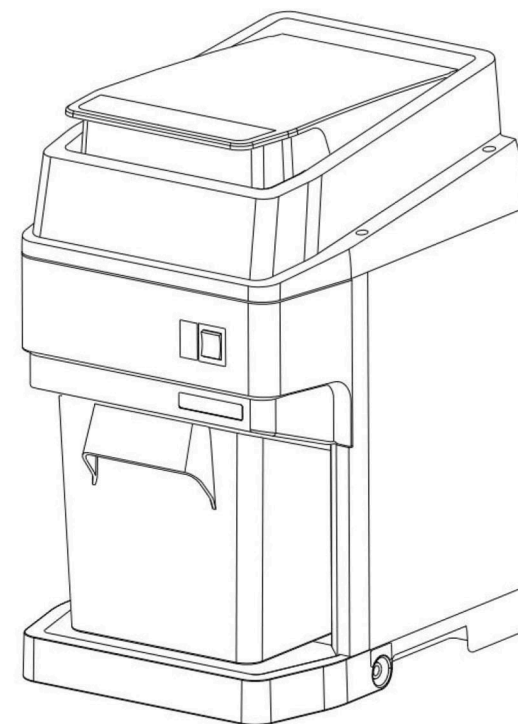
## RoHS Specifications

Ice Shaver							
Category	Parts	Harmful substance					
		Pb	Hg	Cd	Cr(VI)	PBB	PBDE
hardware	hopper	○	○	○	○	○	○
	screw	○	○	○	○	○	○
Electronic	motor	○	○	○	○	○	○
	cable	○	○	○	○	○	○
Plastic	Out shell	○	○	○	○	×	×
	Inner shaft	○	○	○	○	○	○
	Rubber feet	○	○	○	○	○	○
Package	packing belt	○	○	○	○	○	○
	Carton	○	○	○	○	○	○
	Foam	○	○	○	○	○	○
	PE bag	○	○	○	○	○	○
	Rating label	○	○	○	○	○	○
	Manual	○	○	○	○	○	○

## Technical Parameters:

Trade Name	Model Number	Rating
SOGA	CommercialElectricIceShaver288	AC220-240V,50/60Hz,250W

# Ice Crusher Instruction manual



Product pictures are subject to actual

It is important that you read these instructions carefully and keep it for future reference.

## IMPORTANT SAFETY INSTRUCTIONS

When using electrical appliances, basic safety precautions should be followed to reduce the risk of fire, electric shock and injury to persons or property. Read all instructions before operating the machine for the first time.

### Install the machine correctly before using.

1. Keep the ice crusher and power cable away from heat sources and hot surfaces.
2. To avoid electrical shock, do not place the cord, plug or ice crusher in water or other liquids.
3. We do not recommend the use of an extension cord, as it may overheat and become a risk of fire.
4. Do not operate appliance with wet hands or operate in a wet working environment.
5. Always protect the power cable from undue flexing and wearing –do not allow the cable to hang off edge of the counter or table.
6. If the supply cord is damaged, do not use the product. Contact customer service for repairing or replacement.
7. This appliance is not intended for use by persons (including children) with reduced physical, sensory or mental capabilities, or lack of experience or knowledge, unless they have been given supervision or instruction concerning use of the appliance by a person responsible for their safety.
8. Children should be supervised to ensure that they do not play with the appliance.
9. Do not move the appliance while it is switched on.
10. Do not leave your ice crusher unattended when power is connected.
11. Unplug the appliance before cleaning or making any repairs or servicing.  
NOTE: strongly recommend to repair the machine by professional technician.
12. It's forbidden to pull the cable to unplug the plug, pull the plug is a must.
13. The appliance is commercial machine which is intended to be used in staff kitchen areas in shops, offices and other working environments;
14. Warning: Don't use the appliance outdoors. Avoid direct sunlight and make sure that there is at least 15cm of space between the back and sides of your unit and the wall.
15. Do not tip the machine over.
16. The blade must be replaced by original blade.
17. Accessories not provided with the appliance cannot be used, otherwise potential hazards such as falling off may be caused due to not being matched.
18. The blade is not universal. You must use the original blade, otherwise, it will cause danger.

### Warning:

**It is forbidden to clean the appliance with spray water.  
The cover must be covered when working time; The blade is very sharp, it's forbidden to put hands into the hopper.**

## Machine cleaning and maintenance

**WARNING: It is forbidden to clean the appliance with spray water.**

Cleaning of internal and external components.

Note: Unplug the power plug before cleaning or maintenance steps.

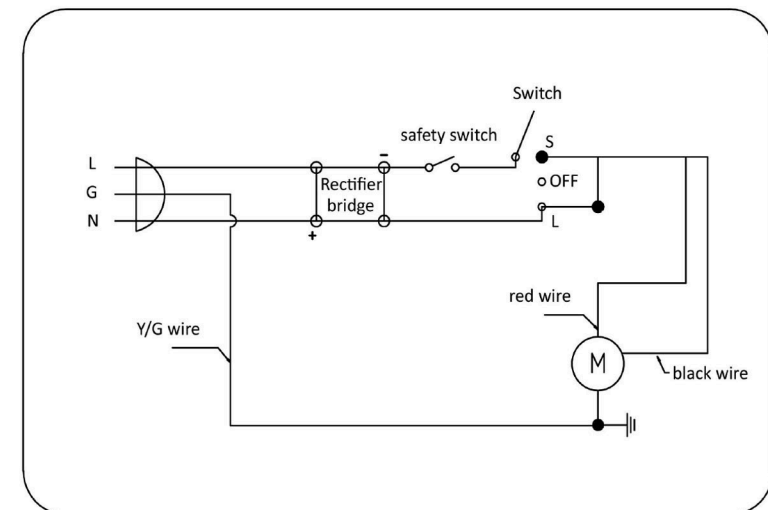
Alcohol is forbidden to clean the machine, which may lead to cracking of plastic parts.

1. Use a clean, soft cloth to wipe the exterior of the machine at least once a week, then use a wet cloth dipped with a neutral detergent to wipe off grease or other impurities.
2. Take the water tank cover away and use a soft and clean cloth to wipe the interior.
3. Dry the exterior and the hopper, then cover it.

## Common malfunction analysis

Fault diagnosis	Check item	Possible reasons	Solution
Not working	Power cord	Unplug or power cord get broken	Plug in or replace the power cord
	Socket	Socket get broken	Replace the socket
	Motor	Motor burnt	Replace by a new one
	Safety switch	Damaged	Replace by a new one
	Power Supply	No electricity or low voltage	Contact power supply department
	ON/OFF switch	Broken	Replace by a new one

## Circuit diagram

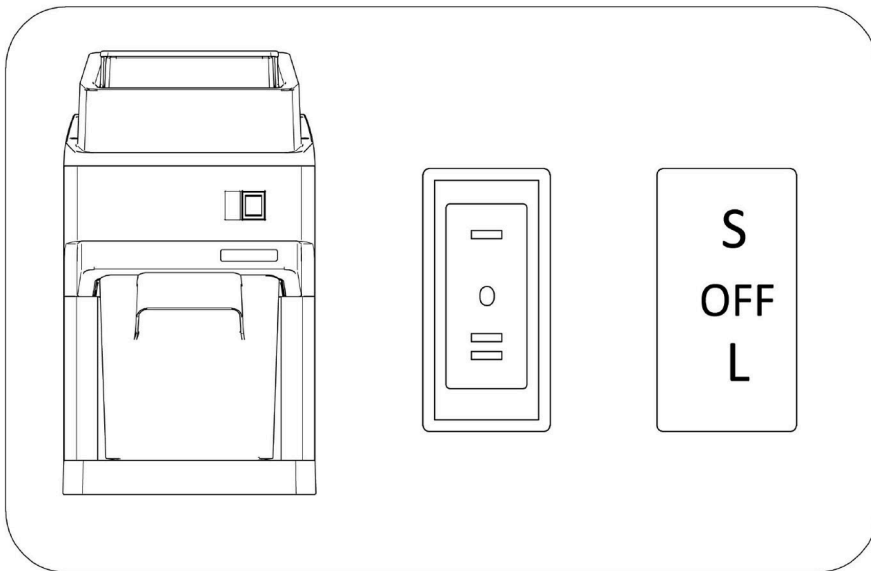


## Button instruction

### Power switch (NOTE: there are three functions: ON,OFF and REVERSE)

1. **S:** Put small ice cubes into the hopper,cover it, plug in the power cord, then poke the switch to "S", it will start to work and crush ice into small granule.
2. **OFF:** Press the power switch to OFF,the machine will stop working.
3. **L:** Poke the switch to "L",it will crush ice in a little bigger granule.

## Operation diagram



### NOTE:

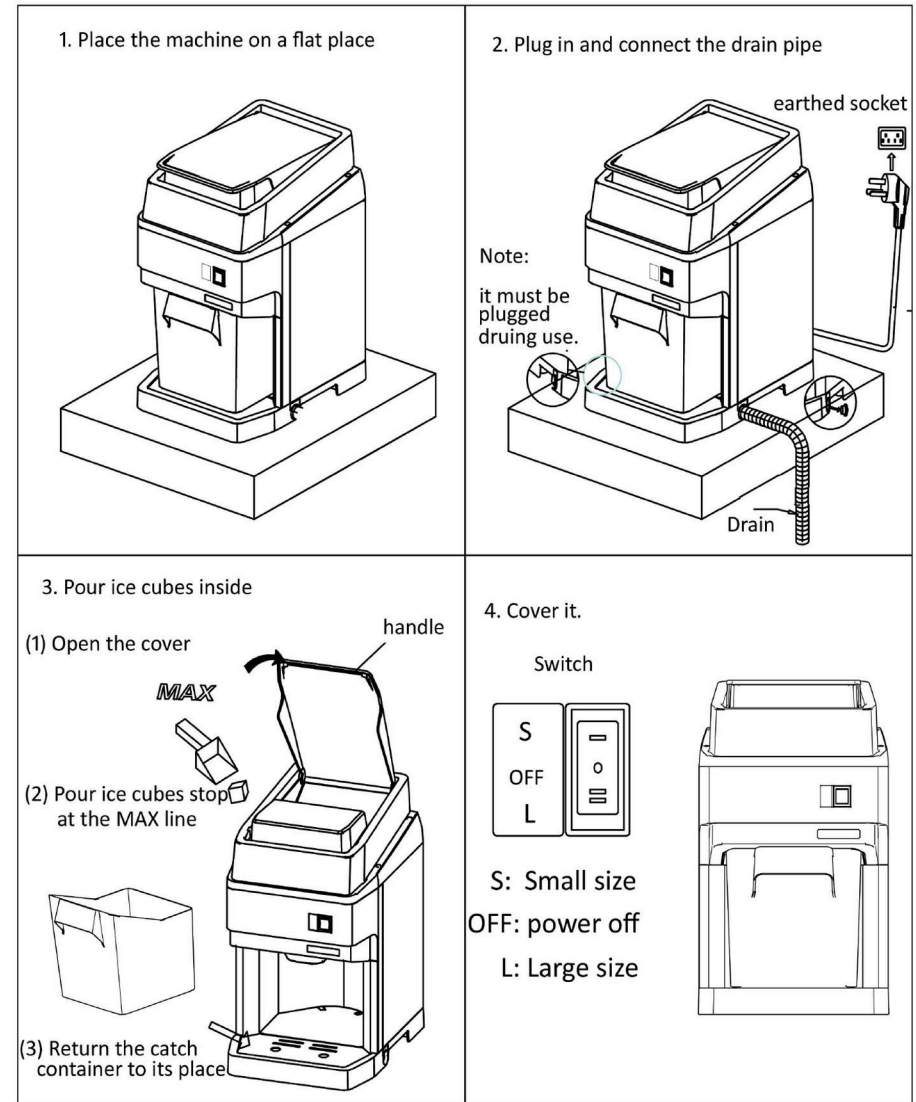
1. if the machine gets lodged when you chose "S", poke to "L" to make the machine return to normal,vice versa.
2. The crushed ice inside of the catch container can't be very full to touch the outlet,or will get lodged in the chopped blade.

## Long-term preservation

- (a) Pull out the plug , dry and furl the power cord.
- (b) Keep the machine away from children and disable person.

## Installation and connection of ice crusher

Install the ice crusher like as below:



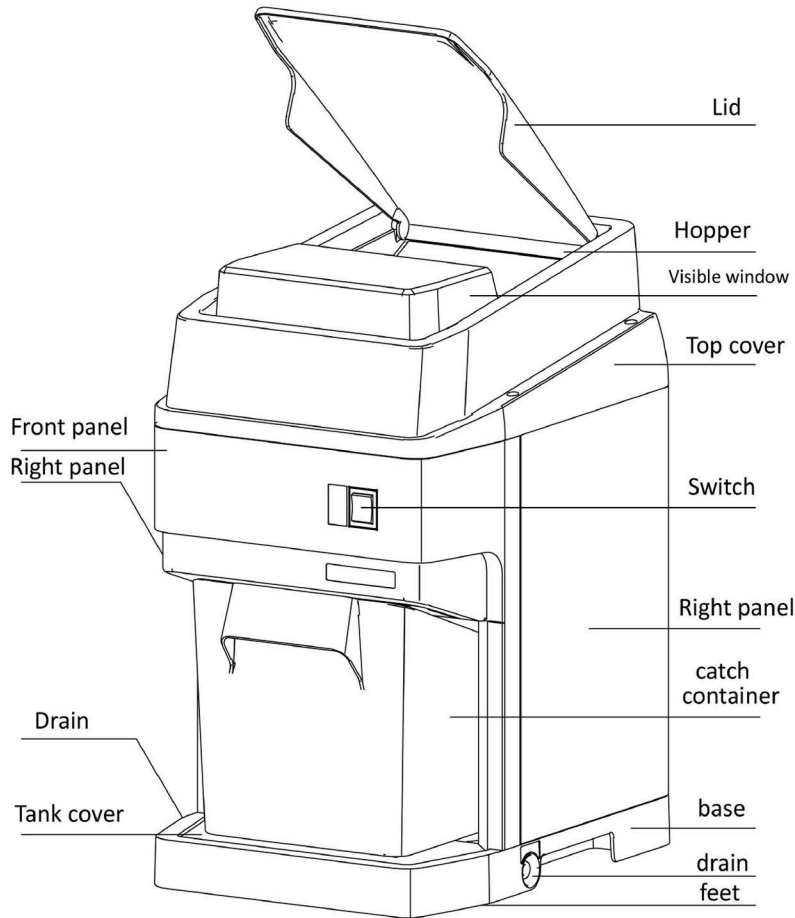
NOTE: The ice crusher must be installed by a technician.

### 1) Unpack the machine

Remove all exterior and interior packaging materials. Check that the two plugs, one drain pipe and instruction manual are included. If any parts are missing, please contact our customer service.

**Warning:** Keep the disabled and children away from the foam and other package materials, which is dangerous.

## 2) Rough diagram



**NOTE:** Product pictures are subject to actual

1. Find a flat location for the appliance where it's protected from direct sunlight and other sources of heat (i.e. stove, furnace, radiator). Place the appliance on a level surface. Make sure that there is at least 15cm of space between the back and sides of the appliance and the wall. Don't place anything on the appliance.

2. The appliance must be positioned where the plug is accessible.

**NOTE: Improper installation may cause injury to people or objects.**

1. The socket must be grounded.
2. The fuse of the socket must be >10A, if change, must be operated by a technician.
3. If the power cord needs to be changed, must be operated by a technician.
4. Voltage fluctuation can't be exceeded  $\pm 10\%$  than rated voltage, or a Voltage stabilizer is needed.

## Operation instruction

**⚠ The appliance is used to crush small ice cubes.**

Clean the interior with lukewarm water and a soft cloth, the blade is very SHARP, operate with care.

Don't pour water directly in the hopper to clean which will damage the motor. Unplug the appliance before cleaning.

The use of any appliance must follow basic guidelines, in particular:

**⚠** High humidity environment will increase the risk of short circuit or electric shock. If in doubt, cut off the power of the appliance.

Please do not directly pull down the power cord to turn off the machine, turn off the appliance by the switch.

The appliance cannot be used by children or disabilities without adult supervision.

## OPERATION

**⚠** This machine can only be used to shave ice, no other ingredients, such as soy bean milk, otherwise it will destroy the machine.

**⚠** This machine is suitable for shaving small ice cubes with a side length of no more than 2-3CM. Large ice cubes may cause the machine to jam or even burn out the motor.

## **Disposal:**

- Do not dispose of in general waste.
- Take to an approved electrical appliance recycling center.
- Remove any detachable components (if applicable) prior to disposal.

## **Warranty:**

- Standard 12-month manufacturer warranty.
- Keep proof of purchase for warranty claims.
- For support, contact: SOGA International Pty Ltd  
1/7-9 Chambers Road, Altona North VIC 3025 Australia  
Email: support@sogainternational.com

## **Compliance Information:**

- This product complies with: AS/NZS CISPR 14-1:2021
- Certificate No. : HTT202507716K, Issued Date: Jul. 17, 2025
- Report No.: TT202507716KR, Date of Report : Jul. 17, 2025