

# WOLSTEAD

## Palette

Stainless Steel Food Grinder/Mincer Attachment

Owner's Manual



**IMPORTANT:**

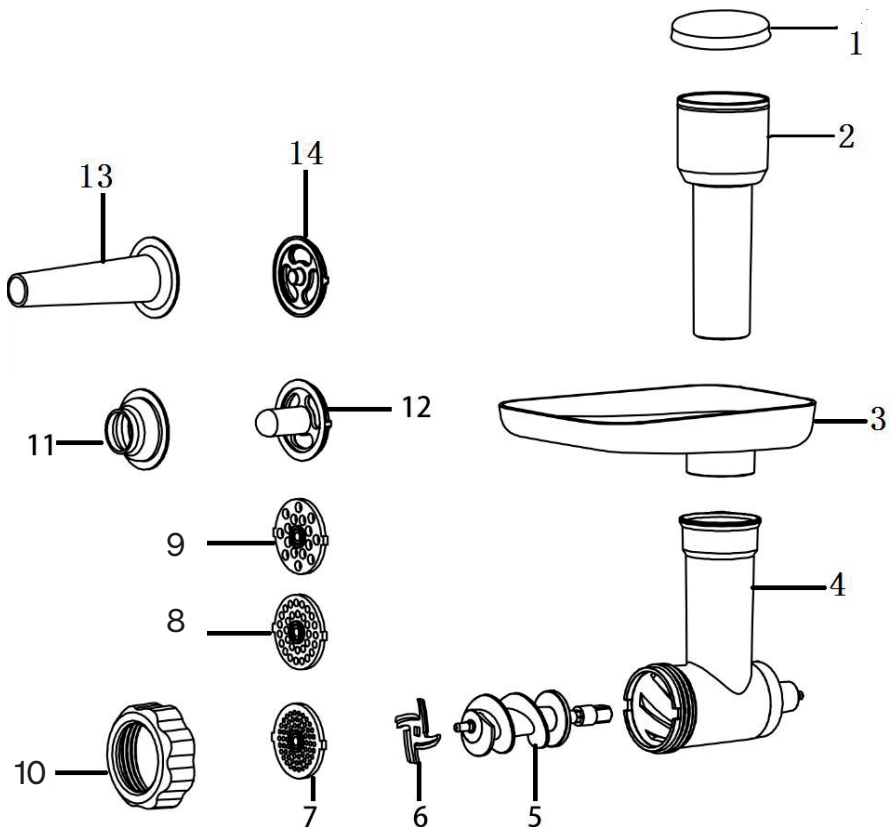
Read and follow all warnings and instructions before assembling and using the appliance. Keep this manual for future reference.

# SAFETY PRECAUTIONS

To ensure safe use of the Wolstead Palette Food Grinder/Mincer Attachment follow these safety precautions:

1. To avoid accidental injury, do not touch the rotating blade during operation and do not move the product or touch the moving parts.
2. To avoid damage, do not allow metal utensils or objects to come into contact with the attachments.
3. When pushing food, please use the included food pusher and do not use any items other than the pusher to push food through the feeder.
4. Do not leave unattended when in use.
5. Always stop the stand mixer and turn it off before attempting to install or disassemble the attachments.
6. If any parts are damaged, stop using the product immediately to avoid injury.
7. When using the attachments, do not wear ties, scarves, long necklaces, or loose accessories or clothing. Long hair should be secured with a hair clip to avoid getting caught in the product and causing injury.
8. Do not let this product run idle on the stand mixer for more than 3 minutes.
9. The blades of this product are very sharp. Please handle with care when removing attachments and during cleaning.
10. This food grinder/mincer attachment set is not intended for use by persons (including children) with reduced physical, sensory or mental capabilities, or lack of experience and knowledge, unless they have been given supervision or instruction concerning use of the set by a person responsible for their safety.
11. Children should be supervised to ensure that they do not play with the attachments.
12. If the product jams or exhibits other abnormal behavior during use with the stand mixer, immediately turn off the power, unplug the power plug, and clean the attachments before continuing use.
13. After using the attachments, hand wash the parts that come into contact with food to avoid odour caused by residual substances over time.
14. It is recommended that the product work continuously for 4 to 5 minutes and rest for 15 minutes, which is beneficial to extend the machine's life and prevent potential safety hazards.
15. When using the product, do not put small bones, meat skin or hard shells into it, as this may cause serious damage.

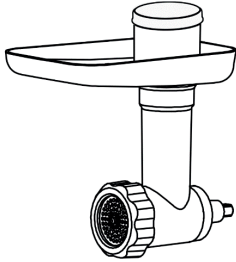
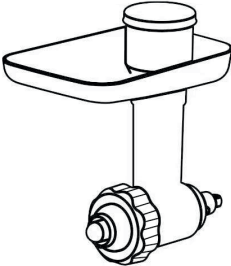
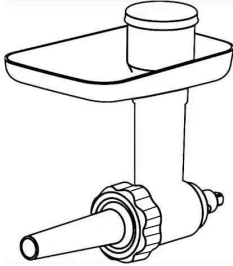
# GET TO KNOW THE WOLSTEAD PALETTE STAINLESS STEEL FOOD GRINDER/MINCE ATTACHMENT



## Product components

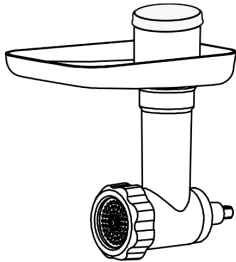
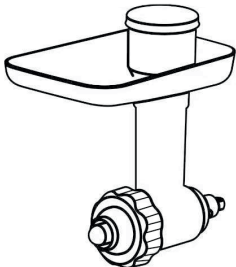
- |                                     |   |
|-------------------------------------|---|
| 1. Push cover                       | 8. Meat grinder cutting disc (medium holes) |
| 2. Food pusher                      | 9. Meat grinder cutting disc (large holes)  |
| 3. Tray                             | 10. Lock nut                                |
| 4. Meat grinder feeding tube        | 11. Kebab maker                             |
| 5. Meat grinder shaft               | 12. Kebab base                              |
| 6. Meat grinder blade               | 13. Sausage maker                           |
| 7. Meat grinding disc (small holes) | 14. Sausage base                            |

## Assembled product components

Meat grinders	Kebab	Sausage
		

## OPERATING INSTRUCTIONS

### Speed settings chart

Attachment	Stand mixer speed	Suggested use
	<p>Speed 4 to 6</p>	<p>Fine holes: For raw meat, fish, small nuts, or cooked meat for making minced meat;            Medium/coarse holes: Suitable for raw meat, fish, nuts.            Tip: Meat should have the skin and bones removed; nuts need to have the hard shells removed.</p>
	<p>Speed 1 to 2</p>	<p>Making meat rolls</p>

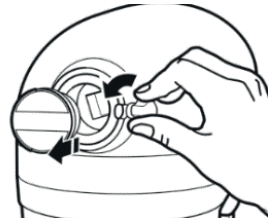
	<p>Speed 1 to 2</p>	<p>Making sausages, salami, etc. (the casing needs to be soaked in cold water for 30 minutes).</p>
---	---------------------	--

## BEFORE FIRST USE

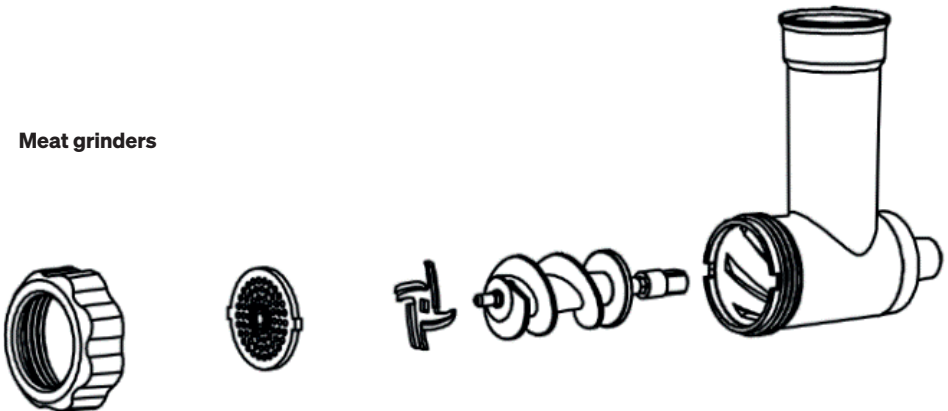
Before first use, remove the product packaging and thoroughly clean the product surfaces that come into contact with food. Hand wash only, do not wash the attachments in the dishwasher.

### Installation instructions

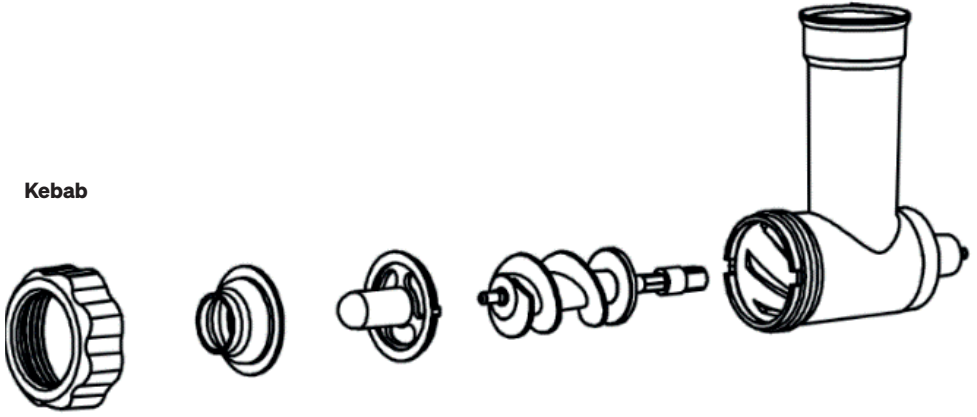
1. Turn the stand mixer speed knob to 0 to turn it off, and unplug it from the power.
2. Remove the attachment hub cover.
3. Insert the meat grinder shaft into the feeding tube. Select different accessories according to the function you need, assemble them as shown in the illustration, and then tighten the lock nut to the tee.



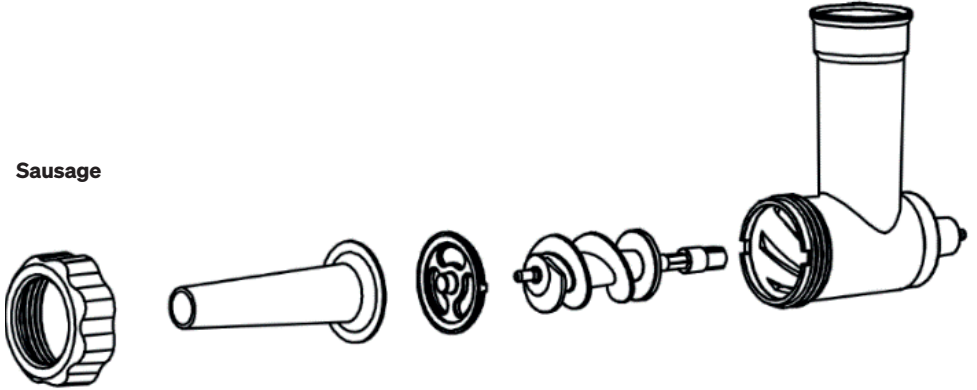
### Meat grinders



### Kebab



### Sausage

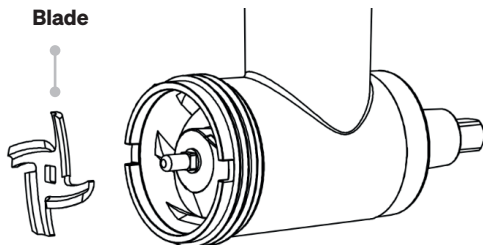


### Accessory combinations

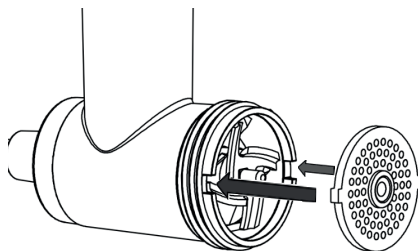
- **Meat grinder:** Meat grinder feeding tube + meat grinder shaft + meat grinder blade + any size disc + lock nut.
- **Sausage:** Meat grinder feeding tube + meat grinder shaft + sausage base + sausage maker + lock nut.
- **Kebab:** Meat grinder feeding tube + meat grinder shaft + kebab base + kebab maker + lock nut.

Note:

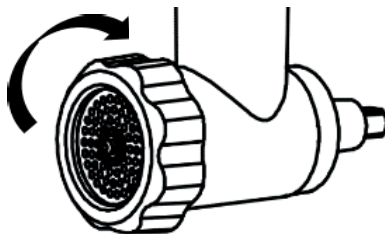
1. The meat grinder blade in the meat grinder needs to have the cutting edge facing outwards.



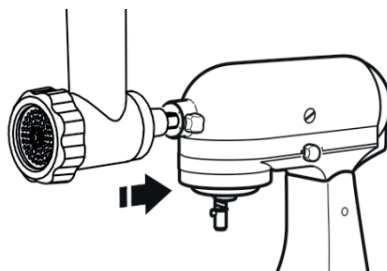
2. Align the raised corner of the disc (sausage stuffer frame/kebab frame) with the recessed corner of the meat grinder feeding tube.



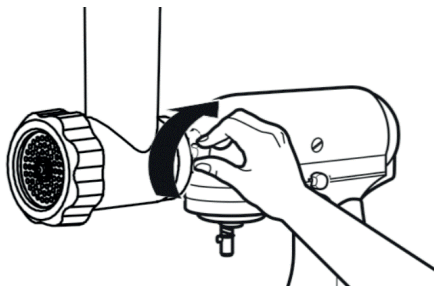
3. Tighten the lock nut in the direction shown in the illustration.



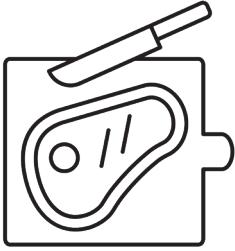
4. Insert this product into the stand mixer attachment hub, ensuring that the meat grinder shaft fits perfectly into the square hole of the hub. Rotate the attachment back and forth as needed to make it fit. When the attachment is correctly placed, the pin on the attachment housing fits into the notch of the hub rim.



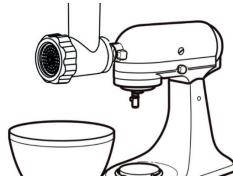
5. Tighten the stand mixer attachment hub knob until the attachment is securely fixed to the stand mixer.



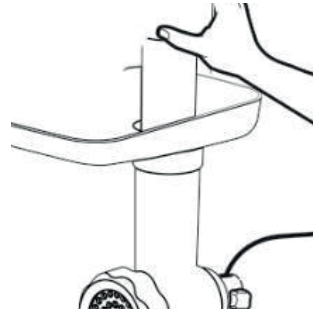
## Using the food grinder and mincer attachments



1. Prepare ingredients.

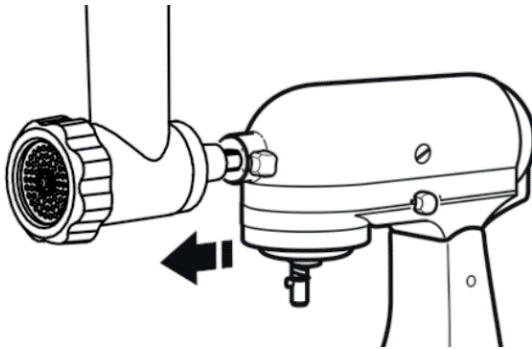


2. Place a large bowl under the mixer to catch processed ingredients.



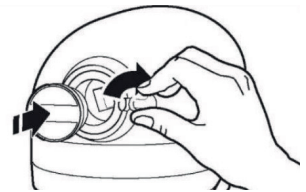
3. Set the stand mixer to the appropriate speed. Place the prepared ingredients in the tray and use the pusher to slowly feed them into the machine. Do not use any items other than the pusher rod to push food.

## Disassembling the food grinder and mincer attachments



1. Turn the stand mixer speed knob to 0 to turn it off, and unplug it from the power.

2. Remove the attachment from the attachment hub on the stand mixer. After removal, clean any residual food from the attachment. Do not install or disassemble this product before it has completely stopped.



3. After removing the accessories, replace the stand mixer attachment hub cover and tighten the attachment knob.



## TROUBLESHOOTING GUIDE

If your stand mixer malfunctions or fails to operate while using the food grinder/mincer attachment, please perform the following checks:

1. Is the stand mixer plugged in?
2. Is the fuse in the stand mixer's circuit working properly? If using a circuit breaker, ensure the circuit is closed
3. If the stand mixer is working but the attachment is not, disassemble and reinstall it correctly according to the product installation guide.
4. Ensure you are using the appropriate speed for the stand mixer. Refer to the 'speed settings chart' above.
5. If this product runs normally but the food output is slow or no food is coming out, please stop the stand mixer, disassemble the attachment, and clear any blockages.
6. If the blade plate wobbles inside the body while this attachment is running, stop the stand mixer, disassemble the attachment, clear any blockages, and ensure it is installed correctly.
7. If food overflows from behind the nut while this product is running, stop the mixer, clean up the spilled food, and tighten the nut.
8. If this attachment wobbles on the mixer while running, stop the mixer and fully tighten the screws to secure this product.

# WARRANTY

## Get in touch with Customer Service

If you experience any issues with your Wolstead Palette Stainless Steel Food Grinder/Mincer Attachment, get in touch with our Customer Service team by email at [customerservice@kitchenwarehouse.com.au](mailto:customerservice@kitchenwarehouse.com.au) or by phone on 1800 332 934 between the hours of 9am and 7pm (AEST) Monday to Friday. Alternatively you can use the Live Chat function on our website by visiting [www.kitchenwarehouse.com.au/contact-us](http://www.kitchenwarehouse.com.au/contact-us)

## 90 day money back guarantee

We promise you a full refund within 90 days if your Wolstead product does not fulfil your expectations. This guarantee applies to qualified purchases of all Wolstead branded products from participating stockists online and in-store from eligible delivery locations. The qualified product must be returned within 90 days from the date of purchase. We shall issue a full refund when the customer presents proof of purchase. We shall issue a store credit when proof of purchase is unavailable. The product packaging is not required to avail of the refund. The amount refunded will be the price of the products in the currency shown on the proof of purchase.

## Exclusions

This warranty does not apply if proper care and/or usage instructions are not followed. This warranty does not cover scratches, stains, discoloration or damage caused by misuse.

## How to claim

If a fault/defect is identified cease using the Product immediately. To make a claim on this guarantee, take the Product, proof of purchase and full details of the alleged defect to any Kitchen Warehouse store.

## Limitations

We make no express warranties or representations other than as set out in this guarantee. The replacement of the Product or the refund of the purchase price is the absolute limit of our liability under this guarantee.

## Warranty

Our goods come with guarantees that cannot be excluded under the Australian Consumer Law. You are entitled to a replacement or refund for a major failure and for compensation for any other reasonably foreseeable loss or damage. You are also entitled to have the goods repaired or replaced if the goods fail to be of acceptable quality and the failure does not amount to a major failure.

The benefits of this warranty are in addition to any rights and remedies imposed by Australian State and Federal legislation that cannot be excluded. Nothing in this warranty excludes, restricts or modifies any State or Federal legislation applicable to the supply of goods which cannot be so excluded, restricted or modified.

## Guarantee

We warrant that, subject to the exclusions and limitations below, the Product will be free from defects in materials and workmanship under normal domestic household use for the 12 month warranty period. The warranty period commences on the date of sale by the original retailer to the original purchaser. The warranty applies only while the Product is owned by the original purchaser.

Use of the Product in a commercial capacity will void this warranty. If a defect appears in the Product before the end of the warranty period and we find the Product to be defective in materials or workmanship, we will replace the Product with a product comparable in quality and value.

We reserve the right to change or discontinue our product ranges at any time without notice and without liability.

# WOLSTEAD

Distributed by Kitchen Warehouse.

Wolstead is a registered trademark of Kitchen Warehouse Pty Ltd. The printed material appearing in this document and related packaging is protected by copyright.

Kitchen Warehouse Pty Ltd  
1 Pensioner Guard Road  
North Fremantle, WA, 6159  
[www.kitchenwarehouse.com.au](http://www.kitchenwarehouse.com.au)  
1800 332 934  
[customerservice@kitchenwarehouse.com.au](mailto:customerservice@kitchenwarehouse.com.au)