

WOLSTEAD®

Teppanyaki Grill

Owner's Manual



IMPORTANT:

Read and follow all warnings and instructions before assembly and use.
Keep this manual for future reference.

SPECIFICATIONS

Model: 678909

Power: 220-240 V ~ 50/60 Hz, 1650 W

Dimensions: Approx. 47.5 x 36 x 9.6 cm (W x D x H)

Net weight: 7.0kg

Cable length: Approx. 90 cm

Temperature range: 100°C to 250°C

Hotplate dimensions: 36.5 x 23 x 0.5cm (W x D x H)

PRODUCT FEATURES

Discover the thrill of Japanese-style cooking at the table with the Wolstead Teppanyaki Grill. With a spacious, flat cooking surface and minimal oil required, this grill is perfect for lively dinner parties or relaxed weeknight meals.

- Digital control panel and temperature adjustment knob are easy to use
- Removable stainless steel hotplate for easy cleaning
- Adjustable temperature of 100°C to 250°C
- Hotplate measures 36.5 × 23 × 0.5cm
- 1650 Watts of power
- Dedicated cord storage slot

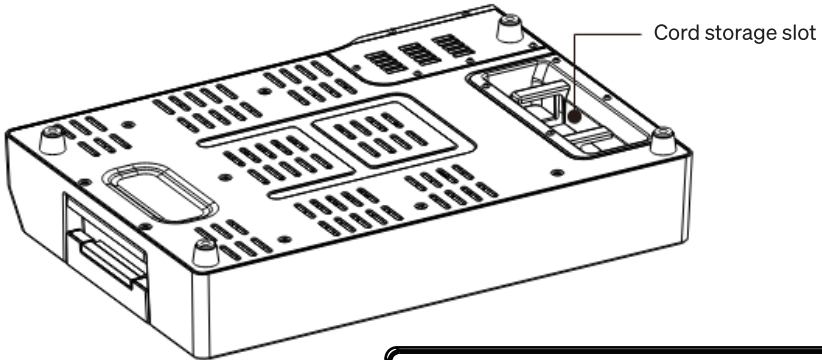
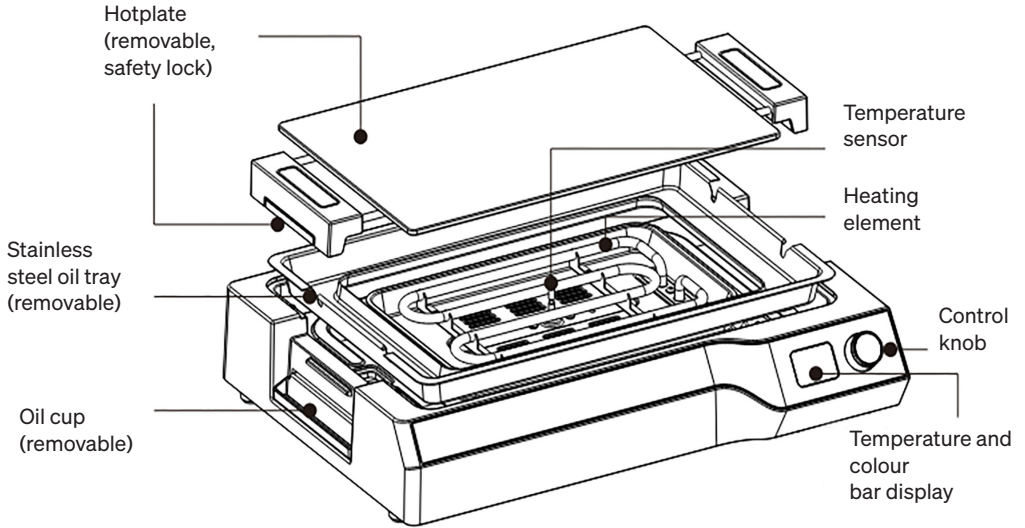
SAFETY PRECAUTIONS

When using this electrical appliance, basic safety precautions should always be followed to reduce the risk of fire, electric shock, and/or injury, including the following:

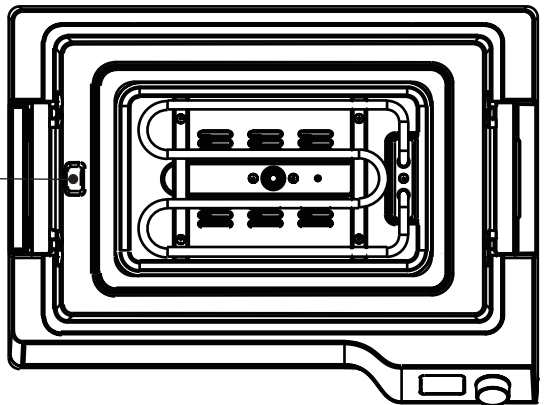
1. Read all instructions before using.
2. Ensure the voltage is compliant with the voltage range stated on the rating label.
3. If the electrical cord is damaged, it must be replaced by the manufacturer or its service agent or a similarly qualified person in order to avoid a hazard.
4. This appliance is not intended for use by persons (including children) with reduced physical, sensory or mental capabilities, or lack of experience and knowledge, unless they have been given supervision or instruction concerning use of the appliance by a person responsible for their safety.

5. Children should be supervised to ensure that they do not play with the appliance.
6. This appliance is intended to be used in household and similar applications such as:
 - A. Staff kitchen areas in shops, offices and other working environments.
 - B. Farmhouses.
 - C. By clients in hotels, motels and other residential type environments.
 - D. By bed and breakfast type environments.
7. To protect against electric shock, do not place the cord, plug or the base of the appliance in water or any other liquid.
8. Do not use attachments or accessories which are not recommended by the manufacturer.
9. The product is only suitable for the purpose indicated in this manual. Do not use this product or any part for other purposes. If it is operated incorrectly, it may cause injury.
10. Always use the appliance on a firm and stable surface and keep it 15cm from other objects and the wall to ensure heat is easily released.
11. Do not place the appliance near the edge of a benchtop or table.
12. Ensure the cord does not hang over the edge of the table or bench, or touch any hot surfaces.
13. Do not place the appliance on or near a hot surface, including a gas or electric stove, or in a heated oven.
14. Do not move the appliance when in use.
15. Do not attempt to remove the hotplate until it has cooled completely.
16. Do not pour water on the hotplate when it is very hot, as this may cause injury from resulting steam.
17. Allow the appliance to cool before cleaning, disassembling, removing or installing parts, and storing.
18. Unplug the appliance when not in use and before cleaning.
19. Do not store the appliance upright on its side.
20. Ensure the oil cup has been cleaned and the hotplate is locked in position before storing.
21. Appliance surfaces may become hot during and after use. Always handle with care and use heat resistant oven mitts or gloves to avoid burns or injury.

GET TO KNOW THE WOLSTEAD TEPPANYAKI GRILL



Position the oil leakage hole on the stainless steel oil tray on the left hand side



INTRODUCTION TO THE CONTROL PANEL



1. Colour bar: indicates the working status of the appliance.
 - When the entire bar flashes, the appliance is in standby mode.
 - When only a part of the bar flashes, the appliance is heating.
2. Temperature indicator: displays the set temperature.
 - If the digits are flashing, the appliance has paused operation.
 - If °C is flashing, the appliance is preheating.
3. Control knob: turns the appliance on and off and adjusts the temperature.
 - Press and hold the knob for three seconds to turn the appliance on or off.
 - Press once to start or pause operation.
 - Rotate to adjust the temperature of the heating element, to a maximum of 250°C.

OPERATING INSTRUCTIONS

Before first use, run the appliance without ingredients for 10 minutes to burn off any protective residues on the heating elements. Ensure the area is well ventilated before doing so as the appliance may emit a slight smoke or odour. This is a normal occurrence caused by the heating elements undergoing the curing process.

1. Remove all packaging materials, promotional labels and tapes from the appliance. Keep packaging materials away from children and pets to prevent the risk of suffocation.
2. Clean the hotplate with warm soapy water and dry thoroughly. Note: The hotplate, oil tray and oil cup are all dishwasher safe.
3. Inspect the appliance for any visible damage. Do not operate if damage is found; instead, contact Kitchen Warehouse Customer Service.
4. Ensure the stainless steel oil tray, the plastic oil cup, and the hotplate are all securely positioned.
 - Note: The stainless steel oil tray has a small square hole on one side that must be aligned with the plastic oil cup on the left hand side of the appliance. The plastic oil cup slides into the left hand side of the appliance. Refer to the illustration in the 'get to you know Wolstead Teppanyaki Grill' section above.
5. Plug in the appliance.
 - Three short beeps will sound, the control panel will light up, and then turn off again.
 - The colour bar will continue flashing. Press and hold the knob for three seconds to turn on the appliance.
 - The control panel will light up with the default temperature of 250°C.
6. Press the control knob once to start operation. The colour bar and the °C symbol will begin flashing, indicating that the appliance is preheating. You can adjust the temperature at this point if you want to set it lower than 250°C. The appliance takes approximately 11 minutes to reach the maximum temperature of 250°C.
7. When the preheating process is finished, a beep will sound three times, and the °C symbol will stop flashing. The appliance is now ready to start cooking.
8. To adjust the temperature: rotate the control knob to set the desired temperature for the heating element.
9. To pause operation, press the control knob once. The temperature digits will flash, and the appliance will stop heating. Press the control knob again to resume operation.
10. To turn the appliance off, press and hold the control knob for three seconds. To restart, press and hold it again for three seconds.

Note: The appliance may release smoke due to high cooking temperatures. Always use it in a well ventilated area. If the appliance is switched on but no settings are entered within two minutes, the control panel will turn off. You will need to turn the appliance on again to adjust settings. If the control panel remains inactive for more than two hours while the appliance is running, the appliance will automatically shut off.

CLEANING AND MAINTENANCE

Clean the hotplate, oil tray and oil cup thoroughly after each use. Always allow the hotplate and oil tray to cool down before cleaning.

1. Wipe the exterior with a damp sponge or cloth, do not immerse in water.
2. Clean the oil cup and oil tray by removing them from the main unit and washing with soapy water. Note: the hotplate, oil tray and oil cup are all dishwasher safe.
3. To clean the hotplate, gently lift it from the main unit using the handles on either side. Wash it thoroughly with warm, soapy water and a non-abrasive sponge. For stubborn food residue or grease, use a plastic scraper. While dishwasher safe, hand washing is recommended for best results.
4. Discolouration of the hotplate may occur with regular use at high temperatures. This is completely normal and will not impact performance.

TROUBLESHOOTING GUIDE

Issue	Possible Solution
The appliance will not switch on.	<ul style="list-style-type: none">• Ensure the power plug is securely inserted into the outlet• Try plugging the power cord into a different outlet or an independent power source• Reset the circuit breaker if necessary
The hotplate is smoking.	<ul style="list-style-type: none">• Lower the temperature setting• Use oils with a high smoke point (such as canola or avocado oil) instead of olive oil or butter

WARRANTY

Get in touch with Customer Service

If you experience any issues with your Wolstead Teppanyaki Grill, get in touch with our Customer Service team by email at customerservice@kitchenwarehouse.com.au or by phone on 1800 332 934 between the hours of 9am and 7pm (AEST) Monday to Friday. Alternatively you can use the Live Chat function on our website by visiting www.kitchenwarehouse.com.au/contact-us

90 day money back guarantee

We promise you a full refund within 90 days if your Wolstead product does not fulfil your expectations. This guarantee applies to qualified purchases of all Wolstead branded products from participating stockists online and in-store from eligible delivery locations. The qualified product must be returned within 90 days from the date of purchase. We shall issue a full refund when the customer presents proof of purchase. We shall issue a store credit when proof of purchase is unavailable. The product packaging is not required to avail of the refund. The amount refunded will be the price of the products in the currency shown on the proof of purchase.

Warranty

Our goods come with guarantees that cannot be excluded under the Australian Consumer Law. You are entitled to a replacement or refund for a major failure and for compensation for any other reasonably foreseeable loss or damage. You are also entitled to have the goods repaired or replaced if the goods fail to be of acceptable quality and the failure does not amount to a major failure.

The benefits of this warranty are in addition to any rights and remedies imposed by Australian State and Federal legislation that cannot be excluded. Nothing in this warranty excludes, restricts or modifies any State or Federal legislation applicable to the supply of goods which cannot be so excluded, restricted or modified.

Guarantee

We warrant that, subject to the exclusions and limitations below, the Product will be free from defects in materials and workmanship under normal domestic household use for the 12 month warranty period. The warranty period commences on the date of sale by the original retailer to the original purchaser. The warranty applies only while the Product is owned by the original purchaser.

Use of the Product in a commercial capacity will void this warranty. If a defect appears in the Product before the end of the warranty period and we find the Product to be defective in materials or workmanship, we will replace the Product with a product comparable in quality and value.

We reserve the right to change or discontinue our product ranges at any time without notice and without liability.

Exclusions

This warranty does not apply if proper care and/or usage instructions are not followed. This warranty does not cover scratches, stains, discoloration or damage caused by misuse.

How to claim

If a fault/defect is identified cease using the Product immediately. To make a claim on this guarantee, take the Product, proof of purchase and full details of the alleged defect to any Kitchen Warehouse store.

Limitations

We make no express warranties or representations other than as set out in this guarantee. The replacement of the Product or the refund of the purchase price is the absolute limit of our liability under this guarantee.

WOLSTEAD

Distributed by Kitchen Warehouse.

Wolstead is a registered trademark of Kitchen Warehouse Pty Ltd. The printed material appearing in this document and related packaging is protected by copyright.

Kitchen Warehouse Pty Ltd
1 Pensioner Guard Road
North Fremantle, WA, 6159
www.kitchenwarehouse.com.au
1800 332 934
customerservice@kitchenwarehouse.com.au