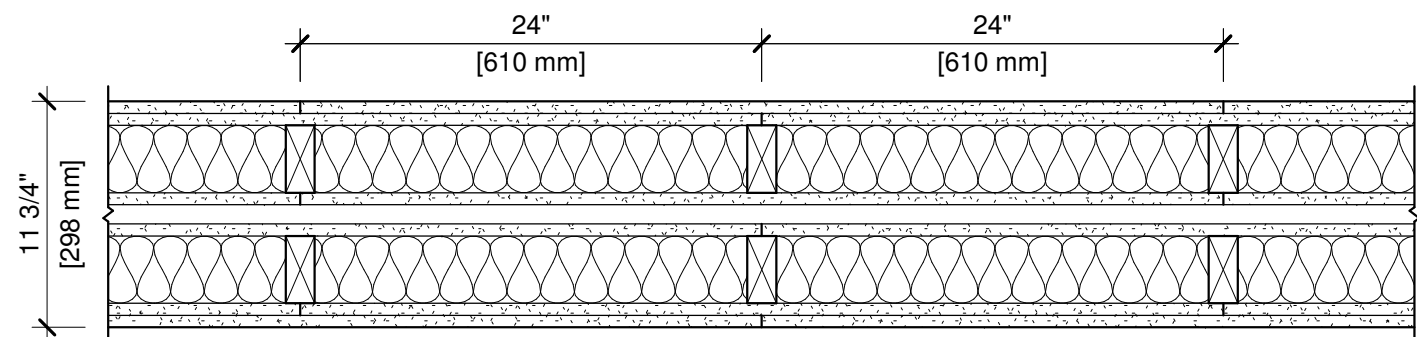


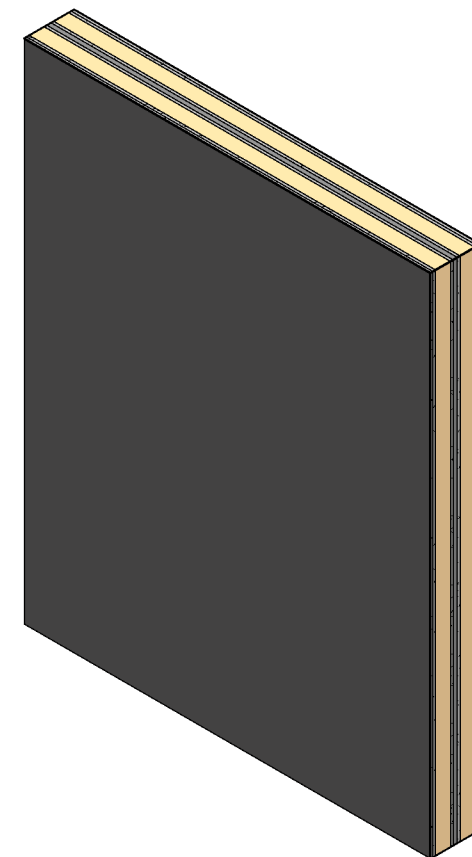
DESIGN NO. GA WP 4232

FIRE RATING: 2 HOURS
 STC RATING: 60
 SOUND TEST: USG-171133
 SYSTEM THICKNESS: 11-3/4" [298 MM]
 LOCATION: INTERIOR
 FRAMING TYPE: WOOD STUD (LOAD-BEARING)



ASSEMBLY REQUIREMENTS:

GYPSUM PANELS: TWO LAYERS 5/8" [15.9 MM] SHEETROCK® GYPSUM PANEL (UL TYPE SCX)
 WOOD STUDS: 2" X 4" [38 X 89 MM] WOOD STUDS, 24" [610 MM] O.C.
 INSULATION: 3 1/2" [89 MM] KNAUF ECOBATT® INSULATION
 GYPSUM PANELS: ONE LAYER 5/8" [15.9 MM] SHEETROCK® GYPSUM PANEL (UL TYPE SCX)
 AIR SPACE: 1" [25 MM] AIR SPACE
 GYPSUM PANELS: ONE LAYER 5/8" [15.9 MM] SHEETROCK® GYPSUM PANEL (UL TYPE SCX)
 WOOD STUDS: 2" X 4" [38 X 89 MM] WOOD STUDS, 24" [610 MM] O.C.
 INSULATION: 3 1/2" [89 MM] KNAUF ECOBATT® INSULATION
 GYPSUM PANELS: TWO LAYERS 5/8" [15.9 MM] SHEETROCK® GYPSUM PANEL (UL TYPE SCX)



GENERAL WALL NOTES:

1. REFER TO APPLICABLE CODES REQUIREMENTS TO ENSURE COMPLIANCE PRIOR TO CONSTRUCTION.
2. FOR THE MOST UP-TO-DATE DETAILS, INCLUDING CONSTRUCTION VARIATIONS, REFER TO THE PUBLISHED DESIGN.
3. WHERE DESIGN NO. INDICATES "PER", THE FIRE RATING IS BASED ON LABORATORY TEST DATA OF THE REFERENCED SIMILARLY CONSTRUCTED ASSEMBLIES.
4. STUD SIZES AND INSULATION THICKNESS ARE MINIMUM UNLESS OTHERWISE STATED IN THE PUBLISHED ASSEMBLY.
5. STUD AND FASTENER SPACINGS ARE MAXIMUM UNLESS OTHERWISE STATED IN THE PUBLISHED ASSEMBLY.
6. PANEL ORIENTATION SHALL BE AS SPECIFIED IN THE PUBLISHED DESIGN.
7. FIRE-RATINGS ARE FROM BOTH SIDES UNLESS OTHERWISE STATED.
8. FIRE-RATINGS ARE MAINTAINED WITH ONE OR MORE OF THE FOLLOWING MODIFICATIONS: INCREASE STUD DEPTH, INCREASE STUD MATERIAL THICKNESS, DECREASE STUD SPACING, DECREASE FASTENER SPACING, INCREASE INSULATION THICKNESS UP TO CAVITY DEPTH.
9. WHERE ACOUSTICAL PERFORMANCE IS PROVIDED IN AN ESTIMATED RANGE, THE VALUES ARE BASED ON LABORATORY TEST DATA OF SIMILARLY CONSTRUCTED ASSEMBLIES.
10. SOUND-RATINGS ARE MAINTAINED WITH ONE OR MORE OF THE FOLLOWING MODIFICATIONS: INCREASE STUD DEPTH, DECREASE STUD MATERIAL THICKNESS, INCREASE STUD SPACING, INCREASE FASTENER SPACING, INCREASE INSULATION THICKNESS UP TO CAVITY DEPTH. MODIFICATIONS MUST NOT EXCEED LIMITATIONS OF FIRE RATING.

ISSUE RECORD:

02/25/2022
 Revision Date

SHEET INFORMATION:

K-W-CW-2-08