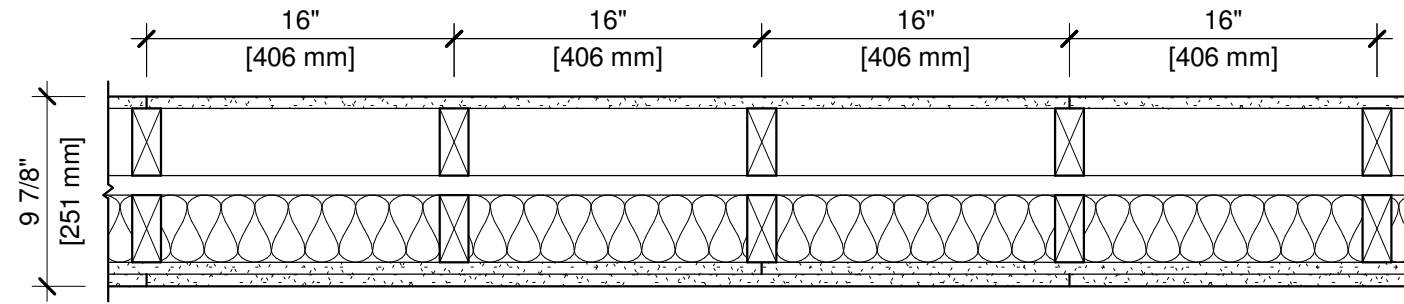


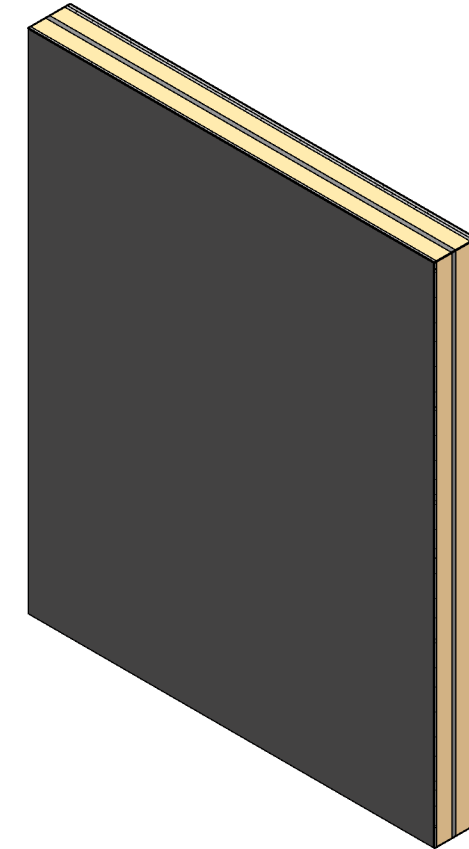
DESIGN NO. PER UL U305

FIRE RATING: 1 HOUR
 STC RATING: 60
 SOUND TEST: USG-171017
 SYSTEM THICKNESS: 9-7/8" [251 MM]
 LOCATION: INTERIOR
 FRAMING TYPE: WOOD STUD (LOAD-BEARING)



ASSEMBLY REQUIREMENTS:

GYPSUM PANELS: ONE LAYER 5/8" [15.9 MM] SHEETROCK® GYPSUM PANEL (UL TYPE SCX)
 WOOD STUDS: 2" X 4" [38 X 89 MM] WOOD STUDS, 16" [406 MM] O.C.
 AIR SPACE: 1" [25 MM] AIR SPACE
 WOOD STUDS: 2" X 4" [38 X 89 MM] WOOD STUDS, 16" [406 MM] O.C.
 INSULATION: 3 1/2" [89 MM] KNAUF ECOBATT® INSULATION
 GYPSUM PANELS: TWO LAYERS 5/8" [15.9 MM] SHEETROCK® GYPSUM PANEL (UL TYPE SCX)



GENERAL WALL NOTES:

- REFER TO APPLICABLE CODES REQUIREMENTS TO ENSURE COMPLIANCE PRIOR TO CONSTRUCTION.
- FOR THE MOST UP-TO-DATE DETAILS, INCLUDING CONSTRUCTION VARIATIONS, REFER TO THE PUBLISHED DESIGN.
- WHERE DESIGN NO. INDICATES "PER", THE FIRE RATING IS BASED ON LABORATORY TEST DATA OF THE REFERENCED SIMILARLY CONSTRUCTED ASSEMBLIES.
- STUD SIZES AND INSULATION THICKNESS ARE MINIMUM UNLESS OTHERWISE STATED IN THE PUBLISHED ASSEMBLY.
- STUD AND FASTENER SPACINGS ARE MAXIMUM UNLESS OTHERWISE STATED IN THE PUBLISHED ASSEMBLY.
- PANEL ORIENTATION SHALL BE AS SPECIFIED IN THE PUBLISHED DESIGN.
- FIRE-RATINGS ARE FROM BOTH SIDES UNLESS OTHERWISE STATED.
- FIRE-RATINGS ARE MAINTAINED WITH ONE OR MORE OF THE FOLLOWING MODIFICATIONS: INCREASE STUD DEPTH, INCREASE STUD MATERIAL THICKNESS, DECREASE STUD SPACING, DECREASE FASTENER SPACING, INCREASE INSULATION THICKNESS UP TO CAVITY DEPTH.
- WHERE ACOUSTICAL PERFORMANCE IS PROVIDED IN AN ESTIMATED RANGE, THE VALUES ARE BASED ON LABORATORY TEST DATA OF SIMILARLY CONSTRUCTED ASSEMBLIES.
- SOUND-RATINGS ARE MAINTAINED WITH ONE OR MORE OF THE FOLLOWING MODIFICATIONS: INCREASE STUD DEPTH, DECREASE STUD MATERIAL THICKNESS, INCREASE STUD SPACING, INCREASE FASTENER SPACING, INCREASE INSULATION THICKNESS UP TO CAVITY DEPTH. MODIFICATIONS MUST NOT EXCEED LIMITATIONS OF FIRE RATING.

ISSUE RECORD:

02/25/2022
 Revision Date

SHEET INFORMATION:

K-W-CW-1-08