

A multiterritorial working approach with
ACTIVE.T, OKAY.III and MEMO.S nesting table

NEW OFFICE WORLDS FOR MOBILE PEOPLE

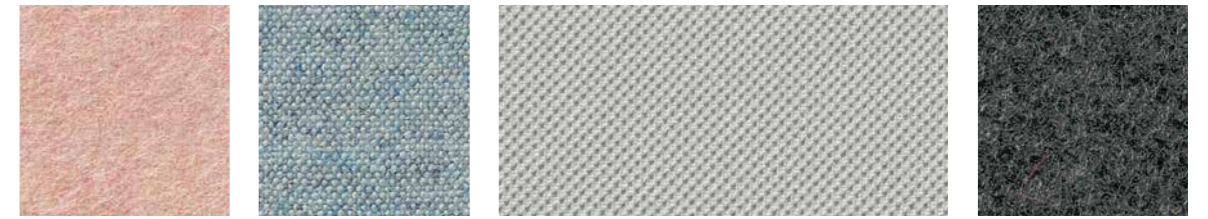


For more variety – including space management

Office environments are far less static than they used to be. Flexible workstations, meeting corners, relaxation zones, telephone booths, creative lounges – it's easy to integrate all that into an existing building and still save office space.

Over the next few pages we'll show you how things could look when you mobilise your employees. **Discover the variety of multiterritorial offices and look at a few examples of how the different style collections can be coordinated with your work culture.**

Invest what you save by rationalising your space management in furnishing solutions for the future. It's well worth it!



IT'S ALL A QUESTION OF STYLE

Our four style collections provide a great basis from which to translate your unique work culture and corporate design into customised room concepts.

At the front you can see **ACTIVE.T desks and OKAY.III swivel chairs**, with the meeting room shown in the **FLOW** style collection, and opposite that the meeting scenario is based on the **PURE** style collection. **TIMELESS** is the style of the training room shown top centre, while the meetings featuring an interactive media wall are designed using **VISION**. The lounge furniture is from our **NET.WORK.PLACE Organic** series.



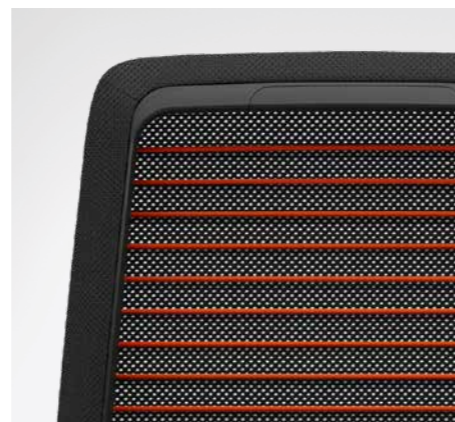
Products:
ACTIVE.T individual workstation, OKAY.III swivel chair, ACTA.PLUS lockers, meeting table,
MOVE.MIX bar stool, MEMO.S nesting table, NET.WORK.PLACE Organic



Products:
ACTIVE.T bench, OKAY.III swivel chair, ACTA.PLUS lockers, QUIET.BOX Duo, THINK.TANK, NET.WORK.PLACE elements, meeting table with square tube legs

WORKPLACE ON THE MOVE

**Swivel chair
with bounce effect:**
the flexible backrest of
the OKAY.III promotes
movement, stimulates
blood flow and encourages
healthy sitting.



Digitisation allows us to structure our work far more freely. If team members are frequently at customer premises, travelling on business or in meetings, they don't need a permanently allocated workstation. Home offices and part-time positions are further reasons to justify flexible workstation models.

People can choose a solution that's appropriate for the task in hand. Maybe an **ACTIVE.T bench** with an **OKAY.III swivel chair**, or a meeting solution such as **THINK.TANK** or the **QUIET.BOX Duo**.

OPEN SPACE WITH MAXIMUM FREEDOM

Agile working creates opportunities – the open space office provides the framework to enable this: a varied selection of inspiring rooms, desks and spaces can play host to multiterritorial working. Plenty of scope for teams or individuals, communication-based or focused.

The key to flexible workspace use is the furniture. **Having desks and chairs that can be adjusted simply and intuitively means maximum flexibility for colleagues.** Choose furniture solutions that can be upgraded and reconfigured easily – this allows you more freedom as an office outfitter too.



Products:
ACTIVE.T double bench with slab end, OKAY.III swivel chair, ACTA.PLUS filing cabinet,
BASIC.4 desking range, NET.WORK.PLACE elements, K+N STANDBY.OFFICE 2.0

INFORMAL OFFICE CHIC

There are so many possibilities when it comes to communication-friendly furnishing solutions for the open space! You're free to do whatever you like thanks to the selection of styles, materials and colours on offer.

Podiums or lounge corners furnished with NET.WORK.PLACE Organic are ideal for informal meetings – while for quick stand-up meetings or longer presentations to a seated audience, our **MEMO.S nesting tables** are the perfect solution.

All personal effects can be stored safely in the ACTA.PLUS lockers.

MEMO.S nesting table
with side trims
in various colours.

Products:
MEMO.S nesting table, QUICK.III, NET.WORK.PLACE Organic, ACTA.PLUS lockers,
podiums, QUIET.BOX Organic, OKAY.III swivel chair

**We'll create a custom-designed
solution for your work culture –
whatever it's like!**

**ACTIVE.T
OKAY.III
MEMO.S**

KEEP ON MOVING

ACTIVE.T



ACTIVE.T

- + As individual and bench workstation
- + Motorised height adjustment from 640 mm to 1250 mm, fast and quiet
- + Stand-alone desks with T-leg and symmetrical frame
- + Horizontal cable management via hinged cable tray, two heights
- + Fabric-covered screens (desk-top and fly-by) for clamping to the desk top
- + Top in solid colour and wood effect
- + Leg frame in white, alu coloured or black

FACTORY FITTED

SMART connector supports optimal use of desk functions. With prompt function to ensure regular switching between sitting and standing.



OKAY.III AND MEMO.S

OKAY.III

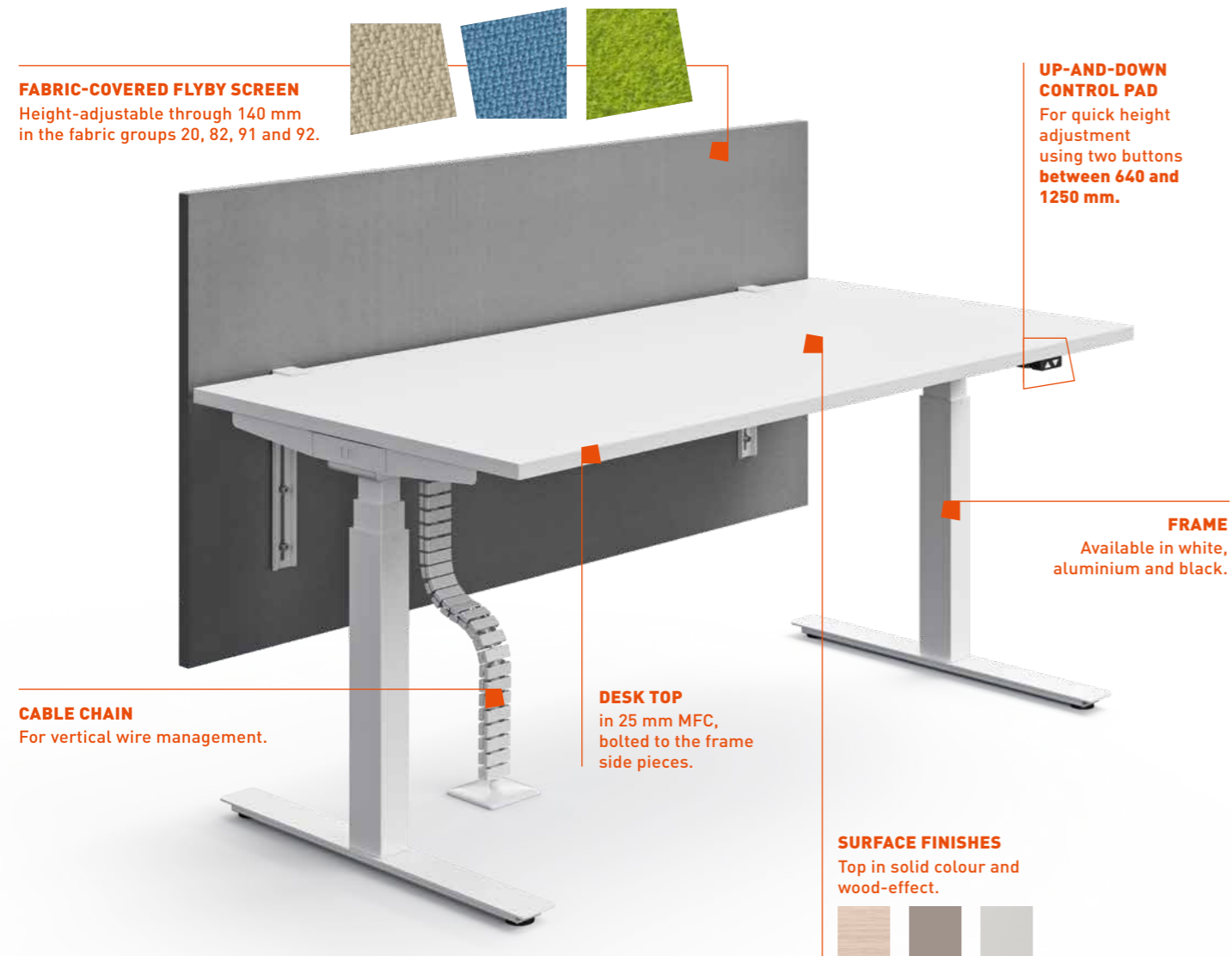
- + Two backrests to choose from: **knitted mesh fabric** stretched across coloured bounce bands or **fully upholstered** with 3D mesh fabric
- + Integrated lumbar support, can be adjusted asymmetrically in height and depth
- + vsp® synchro mechanism with a synchro ratio of 1:2.6 and an opening angle of 30°
- + Individual weight setting from 45 to 120 kg
- + Three armrest styles available
- + Neck support and clothes hook (also in combination) can be retrofitted



MEMO.S nesting table

- + In two heights for increased flexibility and mobility in meetings
- + For multi-purpose seminar and training rooms
- + With optional roll-over sockets
- + Side trims for cable management are available in different colours
- + Easy handling and space-saving storage

KEEP ON WORKING ACTIVE.T



A HEALTHY APPROACH TO WORK WHEREVER YOU ARE

BE MORE MOBILE WHILE YOU WORK AT HOME

Our height-adjustable desk ACTIVE.T gets you moving at home too. Its straightforward motorised height adjustment is perfect for ensuring physical activity and mental alertness. That can make a huge difference – especially at home, where we generally tend to move around less.

- + **Home office* workstation with motorised height adjustment**
Stepless height adjustment from 640 to 1250 mm, controlled via two buttons
- + **Integrated power strip**
Provides a convenient way to connect to the mains
- + **ACTIVE.T matches your style**
Choose your look from a wide range of desktops in different sizes
- + **Blue Angel certified**



*We use the term "home office" to encompass all forms of work within your own four walls: mobile and hybrid working models, remote and digital work – in short all hybrid forms of work.

3 TIPS FOR A MORE ACTIVE WORKING DAY

Two possible causes of back and neck pain are a desk with a suboptimal specification, and lack of movement. As well as our individually adjustable furniture ideas, we've got three useful little tips to help you:

1

Take a short break from your desk-based work at least once an hour for some stretching exercises and movement.

2

Use the lunchbreak to get some fresh air. Just 15 or 20 minutes can really boost your energy.

3

Use every available opportunity for activity. Go and see your colleagues instead of calling them. Book meeting rooms that are further away etc.

DETAILS



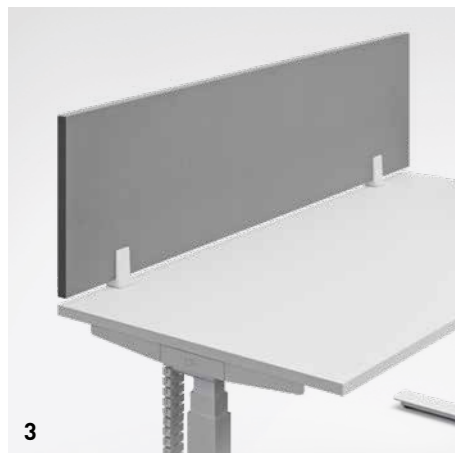
1 | BENCH SYSTEM

Available in the following widths
1200 to 1800 mm and depths
1480, 1680 and 1880 mm.



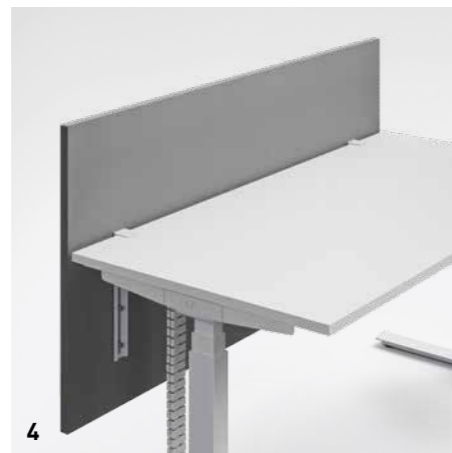
2 | METAL SIDE TRIMS

For individual desks and bench systems,
with 10 mm levelling adjustment and in the
matching desk depth, can be fitted to either
or both sides. Cable outlet is not provided.



3 | FABRIC-COVERED DESK-TOP SCREEN

To be clamped to the rear of the desk top.



4 | FLY-BY SCREEN

Height-adjustable through 140 mm.



5 | MFC TOP 25 MM

Bolted to the side sections of the leg frame.
Adaptor cut-outs to allow cable
access can be specified as an option.

PRODUCT OVERVIEW



		Individual desk	Bench
Frame	T-leg, symmetrical	■	■
Side trims	can be fitted to either or both sides	□	□
Dimensions single workstation			
Widths	1200 mm, 1400 mm, 1600 mm, 1800 mm, 2000 mm	■	-
Depths	700 mm, 800 mm, 900 mm, 1000 mm	■	-
Bench dimensions			
Widths	1200 mm, 1400 mm, 1600 mm, 1800 mm	-	■
Depths	1480 mm, 1680 mm, 1880 mm	-	■
Height adjustment			
Motorised	640–1250 mm	■	■
Control panel	Up/down control	■	■
	4-pos memory	□	□
Worktop			
Chipboard	25 mm edge banding	■	■
Wire management			
SMART Connector	Adapter to connect the control unit with PC	□	□
Horizontal	Cable tray	□	□
Vertical	Cable chain	□	□
Cut-outs	Left, centred, right, as specified	□	-
Accessories			
Below the top	CPU holder	□	□
	Modesty panel	□	-
Clip-on desk-top screen	Fabric-covered, with acoustic properties	■	■
Clip-on fly-by desk-top screen	Fabric-covered, for installation behind the desk	■	-

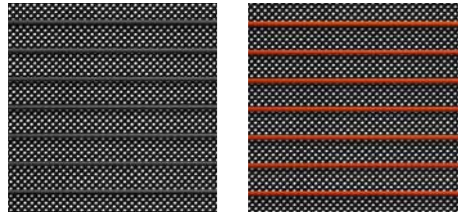
■ Standard □ Optional



THE SWIVEL CHAIR WITH BOUNCE EFFECT



KNITTED MESH FABRIC
Stretched across bounce bands in a choice of white, black or orange.



4D MULTIFUNCTIONAL ARMREST
Take the strain off shoulders and neck. Can be adjusted in width, height and depth without tools, pads swivel.

CONTROLS
For customising the seat height, seat depth, seat tilt and weight setting.

WIPER RING FOR PISTON ROD
Ensures that the gas spring is optimally lubricated, protecting it from the intrusion of dust or other particles.

NECK SUPPORT
Can be retrofitted, adjustable in height and tilt.

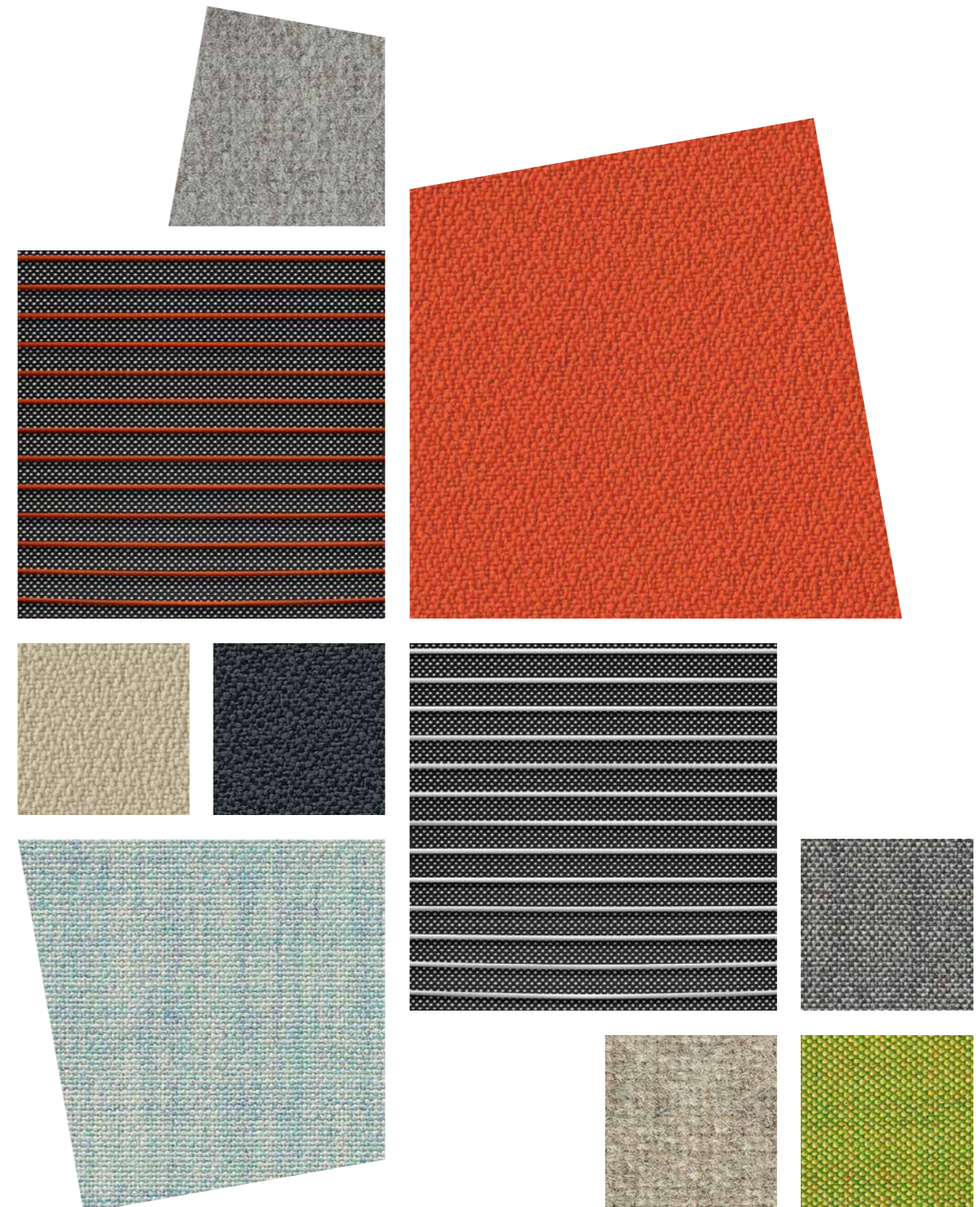
COAT HOOK
In black wire, with and without neck support, can be retrofitted.

LUMBAR SUPPORT
Can be infinitely adjusted on both sides in height and depth.

VSP® SYNCHRO MECHANISM
Virtual Swing Point ensures the perfect dynamic sequence as you sit.

OPTIONAL
delivery in component form, boxed

FABRICS AND COLOURS



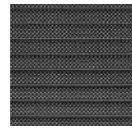
OKAY.III

DETAILS

PRODUCT OVERVIEW



KNITTED MESH BACKREST



FULLY UPHOLSTERED



1 | TWO BACKREST STYLES

The comfortable backrest is available in knitted mesh or fully upholstered.

1



2



3

2 | HEIGHT-ADJUSTABLE NECK SUPPORT AND CLOTHES HOOK

The neck support relieves strain on the shoulders and neck muscles. Backrest available with or without clothes hook.

3 | ERGONOMIC SUPPORT

The lumbar support can be infinitely adjusted on either side in height and depth.



AL 43

4



AL 39

4



AL 15

4

4 | VARIABLE ARMRESTS

Featuring various adjustment functions to take the strain off neck and shoulders.



5

5 | CLEVER CONTROLS

For customising the seat height, seat depth, seat tilt and weight setting.

6 | A SOPHISTICATED ADDITION

The operating instructions are always to hand.



7



7

7 | A STURDY BASE

Starbase in plastic or aluminium, alternatively aluminium starbase with flat spokes

Technology

Mechanism	vsp® synchro mechanism	■
Opening angle	30°	■
Synchro ratio	1:2.6	■
Individual weight adjustment	45 to 120 kg	■
Seat height adjustment	420 to 510 mm	■
Seat depth adjustment	50 mm, 5 positions	■
Seat tilt adjustment	4° forward tilt	■
Backrest lock	4 positions	■
Seat upholstery	Foam	■
Integral shock absorption	Yes	■

Backrest

	Fixed height	
	Knitted mesh fabric stretched across coloured bounce bands	■
	Upholstered pad on black 3D fabric	■
Lumbar support	Adjustable in height and depth, right and left-hand sides can be adjusted independently	■
Neck support, can be retrofitted	Adjustable in height and tilt, optionally available in leather, even on a fabric chair	□
Clothes hook, can be retrofitted	Black wire	□

Seat

	Upholstered	■
--	-------------	---

Armrests

4D multifunctional armrests (AL 39)	Height, width and depth adjustable, pads swivel and can be locked in place	□
4D multifunctional armrests (AL43)	Height, width and depth adjustable, pads swivel, plastic armrest support	□
4D multifunctional armrests (AL15)	Height, width and depth adjustable, pads swivel, polished aluminium armrest support	□

Dimensions

Seat height	420 to 510 mm
Seat width	500 mm
Seat depth	400 to 450 mm
Back width	465 mm
Back height	630 mm

Colours

Starbases

Plastic	Black	■
Aluminium	Black / aluminium / anthracite metallic	■
	Polished aluminium / chrome	□

Back support

	Black	■
--	-------	---

Backrest frame

	Black	■
--	-------	---

Multifunctional armrests

	Leather armrest pad for AL39	□
--	------------------------------	---

Castors (carpet or hard floor)

	Black, 60 mm in diameter	■
--	--------------------------	---

■ Standard □ Optional



MOBILE ALL-ROUNDER AND AN ABSOLUTE TEAM PLAYER



SPACE SAVING STORAGE

For 2 tables 900 mm, for 3 tables 1100 mm,
plus 200 mm for each additional table.



DETAILS AND PRODUCT OVERVIEW



1 | WIRE MANAGEMENT

Table-top cut-outs for roll-over sockets and NET BOX points, positioned centrally or at the rear.

2 | CABLE TRAY

100 mm high can be specified centrally or at the rear. Where cut-outs or sockets are specified, the tables will always have cable trays.



Frame

		Sitting height*	Standing height
Nesting frame	Steel tube	■	■
	Chrome	□	□
Leg trim		□	□

Dimensions

Widths	1200 mm, 1400 mm, 1600 mm, 1800 mm, 2000 mm	■	■
Depths	700 mm, 800 mm, 1000 mm	■	■

Height adjustment

Fixed	720 mm	1060 mm
-------	--------	---------

Worktops

Wooden composite top	25 mm top with edge-banding	
Wood-effect or veneer		

Wire management

Horizontal	Cable tray, cable clamp	□	□
Roll-over sockets	3, 4 or 5 gang	□	□
NET BOX Point	Choice of inserts available	□	□
Cable grommet	Diameter 80 mm, plastic	□	□
Wireless charger	Milled into the lower side of the table top, completely invisible from above	□	□

■ Standard □ Optional





NET.WORK.PLACE Organic
Optimum conditions for a better way of working.



NET.WORK.PLACE Lounge chair
Personal haven for distraction-free communication or simply a place to unwind.



ACTA.PLUS lockers
Storage options for mobile working environments.



K+N STANDBY.OFFICE 2.0
Flexible, space-saving all-in-one solution for agile working methods.



QUIET.BOX Duo
Stand-alone room-in-room solution for one-to-one meetings.



Meeting table with MOVE.MIX bar stool
The special mix for spontaneous meetings standing up.

As a leading brand for office furniture and room systems, König + Neurath develops solutions for individual work cultures

Together with specialist retailers, König + Neurath supports its customers throughout the entire process of outfitting offices. With differentiated style collections, design-conscious furniture and digital solutions, the family-owned company, established in 1925, helps its customers to adapt successfully to the changing nature of the workplace.

Deutschland

König + Neurath AG
Industriestraße 1-3
61184 Karben
T +49 6039 483-0
info@koenig-neurath.de

Great Britain

König + Neurath (UK) Ltd.
Ground and Lower Ground Floor
75 Farringdon Road
London EC1M 3JY
T +44 20 74909340
info@koenig-neurath.co.uk

Nederland

König + Neurath Nederland
Beethovenstraat 530
1082 PR Amsterdam
T +31 20 4109410
info@konig-neurath.nl

France

König + Neurath AG
53, rue de Chateaudun
75009 Paris
T +33 1 44632393
info@koenig-neurath.fr

Schweiz

König + Neurath (Schweiz) GmbH
St. Gallerstrasse 106 d
CH-9032 Engelburg / St. Gallen
T +41 52 7702242
info@koenig-neurath.de

Österreich

König + Neurath AG
Gonzagagasse 1 / Morzinplatz
1010 Wien
T +43 676 4117512
info@koenig-neurath.de

