

---

The new  
approach –  
whatever the  
building grid.

---

# THINK TANK



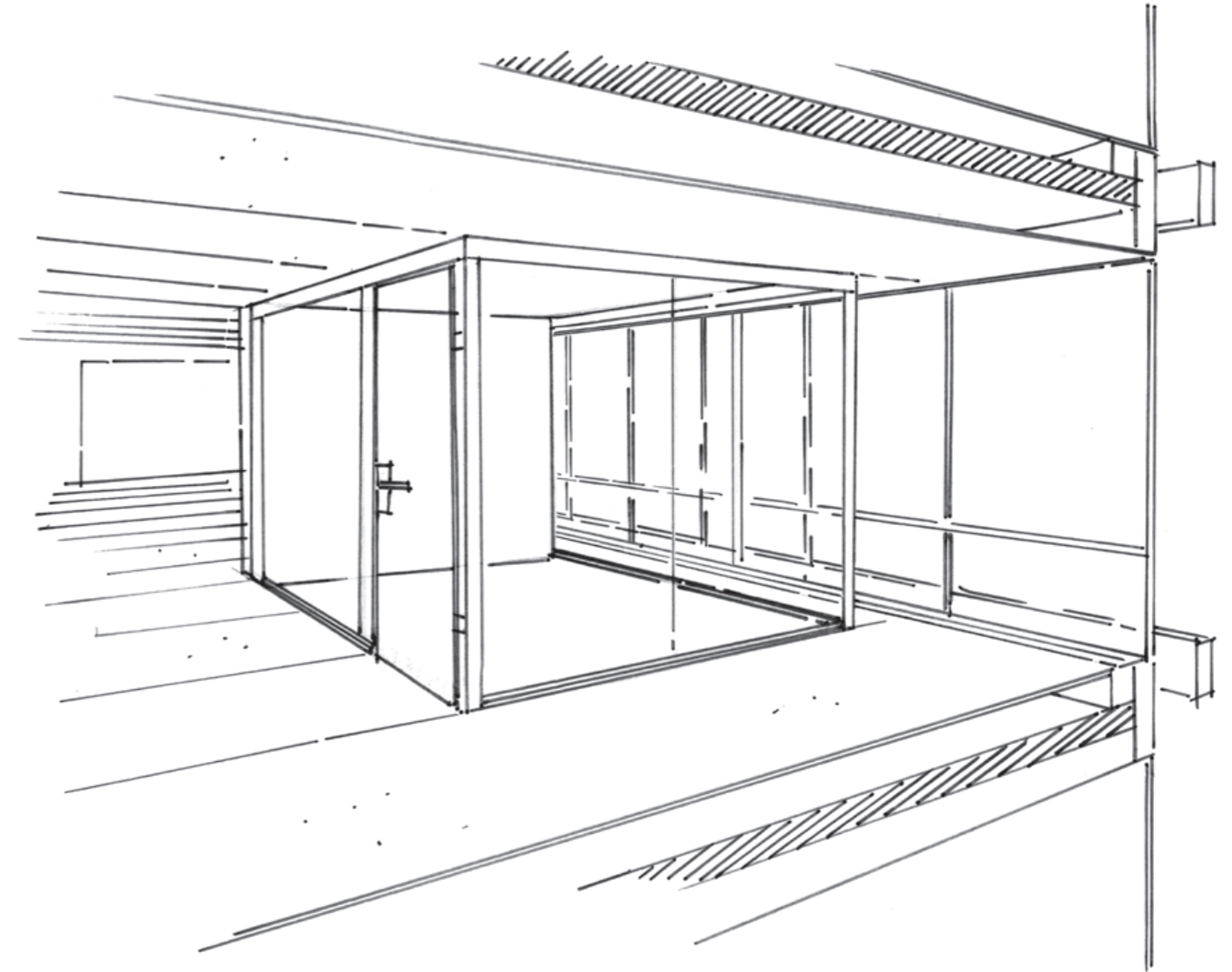
reddot award 2014  
winner



German  
Design Award  
SPECIAL  
MENTION 2015

 KÖNIG +  
NEURATH

**THINK TANKS** are concentrated space for concentrated work.  
At the centre of office life. And in the dimensions of your choice.



**The idea:** to create new spaces independently of the building grid – to support a modern office organisation and to increase space efficiency. The implementation: transparent room-in-room solutions with a post-and-rail construction. Sound-proofed and sound-absorbing. With its own ventilation, lighting and power supply. Attractive and functional. That is the THINK TANK from König+Neurath.



# The new independence in the office.



Efficient work needs space – but not always where the building prescribes it. The THINK TANK provides independence. A closed room, situated exactly where it is required for optimal work flow. It meets every functional requirement. And creates an open but concentrated atmosphere. Only an independent person can work efficiently.

**The space within the space: the THINK TANK.**  
A place for concentrated work.



2

**1 | Inspiring:** glazed and solid surfaces creating a retreat.

**2 | Peaceful:** a place in which communication neither disturbs nor is disturbed.

**The thinking zone in the office.** Absolute transparency.



**3 | Separate:** room-in-room solution with a sliding door for lower acoustic requirements. A film overlay on the glass walls is attractive and provides a certain amount of privacy.



# THINK TANKS open up new horizons in any space.

THINK TANKS are part of the HORIZONTE partitioning range, which allows the flexible planning of solid and glazed structures. It transposes the post-and-rail construction of modern glass architecture into the internal space. The height and supported loads of the horizontal rails define the distances between the vertical posts, giving a clear, structured design.

## H130

**HORIZONTE 130** + glazed partition, post-and-rail construction + integral single and double glazing + rail height 130 mm + max. span 4,050 mm + max. room height 3,500 mm + for fitting sliding and hinged doors

## HRX

**HORIZONTE RX/RT** + thickness of room divider 100 mm + fully faced, partially glazed + glazed frame, flush trims + max. room height 3,500 mm + for fitting hinged doors

## H68

**HORIZONTE 68** + glazed partition, post-and-rail construction + integral single and double glazing + rail height 68 mm + max. span 2,700 mm + max. room height 3,500 mm + for fitting sliding and hinged doors

## HRW

**HORIZONTE RW** + wall cladding attached to existing wall + with vertical or horizontally-arranged trims + can also hang freely from wall

## H40

**HORIZONTE 40** + glazed wall, without post-and-rail + single glazing with slimline top and bottom profiles + profile height 40 mm + max. room height 3,500 mm + for fitting sliding and hinged doors

## HTT

**HORIZONTE TT** + cubicle + with semi-opaque wall sections (RX) + for fitting sliding and hinged doors + max. span width 3,200 mm, length 4,050 mm + max. room height 3,200 mm + Type 1 + Type 2 optionally with ceiling

# Clear lines, functional details.

## Everything in order with THINK TANK.



- 5 | **Functional:** the switch panel has the same clear design.
- 6 | **Acoustically effective:** ceiling system with integrated ventilation.
- 7 | **Moderating:** the door stop prevents the door opening too far.
- 8 | **Handy:** sliding-door handle with rectangular hook-bolt lock.
- 9 | **Secure:** classic glass door lock with rectangular lock case and flat handles. Anodised aluminium.
- 10 | **Elegant:** full-height profile handle on the sliding door. Anodised aluminium.

## Material/finishes:

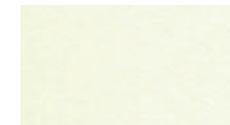
### Glas



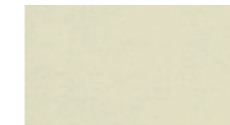
**ESG** Single-glazed safety glass – satin finish on request  
**VSG** Laminated safety glass – printed  
**VSG-S** Laminated safety glass – lacquered on request  
 With acoustic film between panes – film overlay

On request:  
 – Satin finish  
 – Printed  
 – Lacquered  
 – Film overlay

### MFC chipboard (based on K + N colour chart)



**WI** Pure white



**GW** Off-white



**KH** Light grey



**KT** Alu coloured



**MA** anthracite



**AO** Maple



**MB** Beech

### Chipboard with real wood veneer, lacquered (based on K + N colour chart)



**AH** Canadian maple natural



**BH** Beech natural



**BU** Beech light stained

Other veneers available on request.

### Aluminium profiles

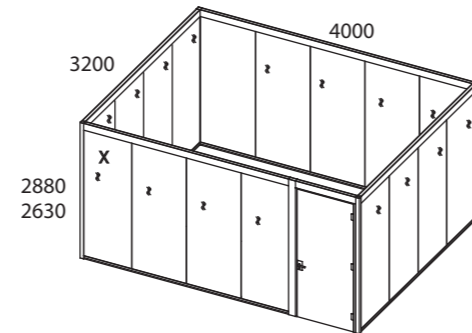
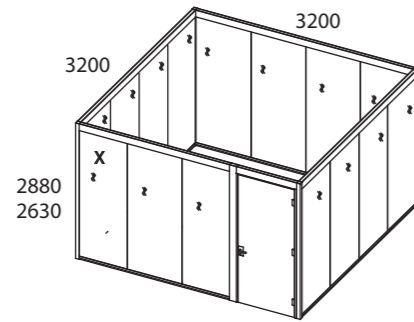
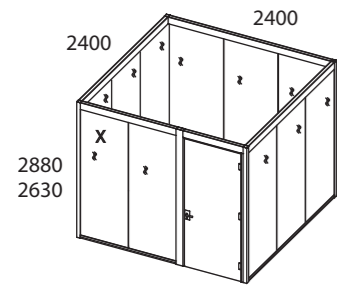


**E1** Aluminium natural, anodised EV1/E6

On request:  
 Powder-coated in RAL colours

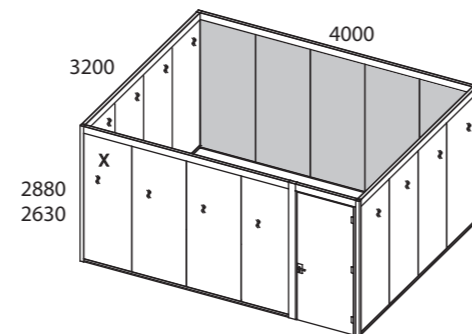
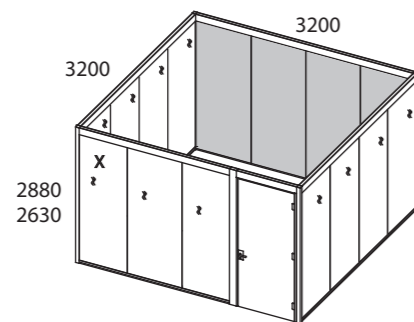
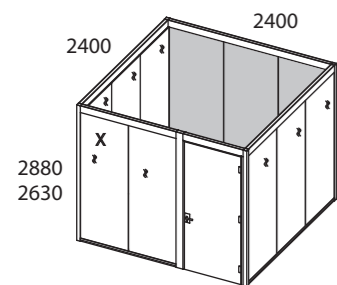
# System overview

## TYPE 0



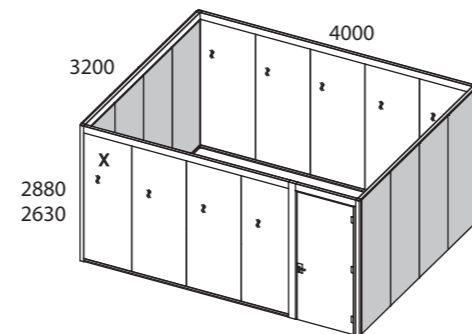
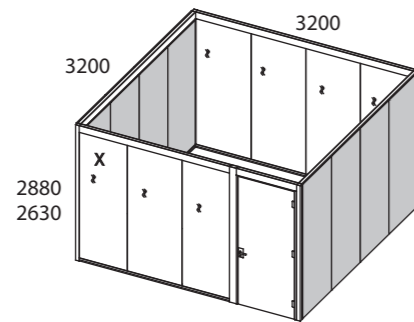
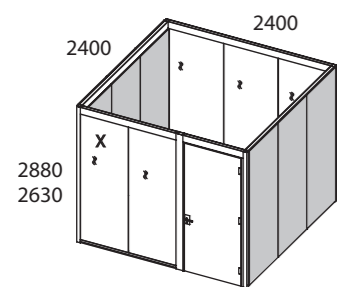
X = Doorway can be inset

## TYPE 1



X = Doorway can be inset

## TYPE 2



X = Doorway can be inset

# Product overview:

## TYPE 0

Size	2,400 mm x 2,400 mm / 3,200 mm x 3,200 mm / 3,200 mm x 4,000 mm
External height	2,630 mm
Partitions	Fully glazed
Glass	10 mm tempered safety glass
Frame	Aluminium extrusion
Doors	Sliding door can be opened to left or right Hinged door can be opened inwards or outwards
Ceiling	-
Ventilation	-
Lighting	-

## TYPE 1

Size	2,400 mm x 2,400 mm / 3,200 mm x 3,200 mm / 3,200 mm x 4,000 mm
External height	2,630 mm
Partitions	Three glazed sides, one side 2,400 / 3,200 mm opaque
Glass	10 mm tempered safety glass, optional: VSG 12 mm, VSG 16 mm
Frame	Aluminium extrusion
Doors	Sliding door can be opened to left or right Hinged door can be opened inwards or outwards
Ceiling	Option, total height 2,860 mm  Sound insulation: Glas thickness 10 mm    30 dB    with 10 mm glas door Glas thickness 12 mm    37 dB    with 12 mm glas door Glas thickness 16 mm    39 dB    with aluminium framed door
Ventilation	Including
Lighting	Optional

## TYPE 2

Size	2,400 mm x 2,400 mm / 3,200 mm x 3,200 mm / 3,200 mm x 4,000 mm
External height	2,630 mm
Partitions	Two glazed sides, two sides 2,400 / 3,200 mm Opak"
Glass	10 mm tempered safety glass, optional: VSG 12 mm, VSG 16 mm
Frame	Aluminium extrusion
Doors	Sliding door can be opened to left or right Hinged door can be opened inwards or outwards
Ceiling	Option, total height 2,860 mm  Sound insulation: Glas thickness 10 mm    30 dB    with 10 mm glas door Glas thickness 12 mm    37 dB    with 12 mm glas door Glas thickness 16 mm    39 dB    with aluminium framed door
Ventilation	Including
Lighting	Optional



### Deutschland

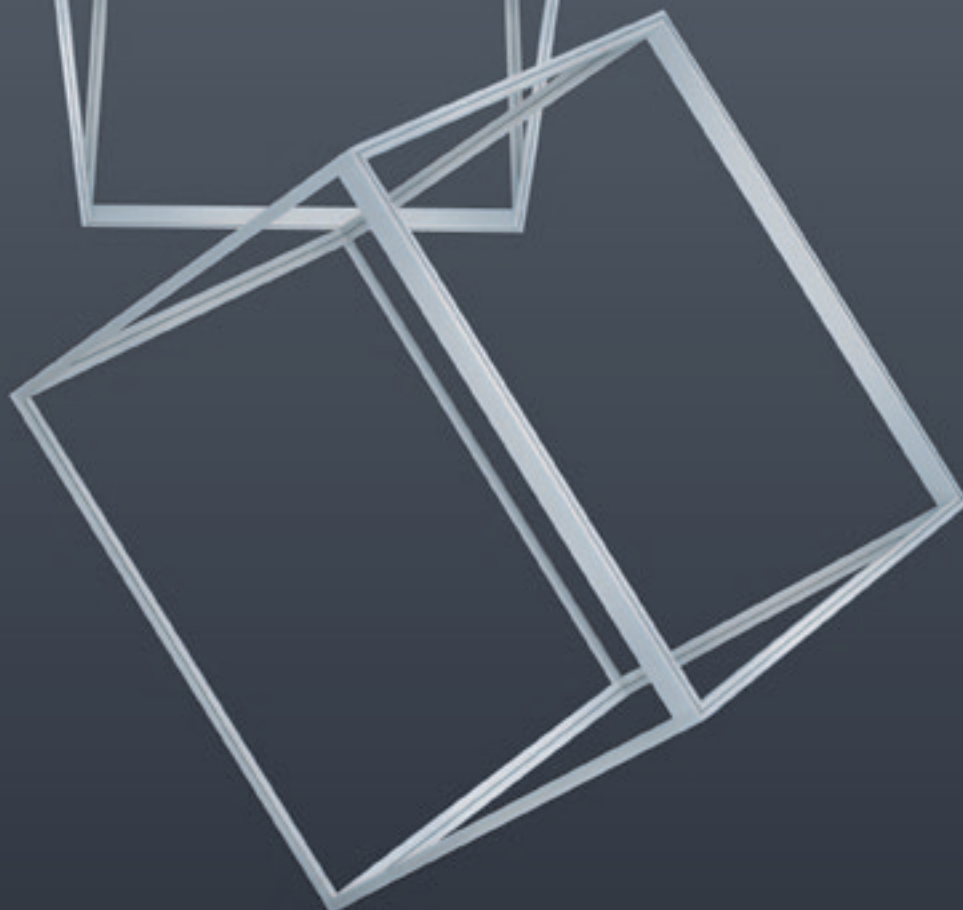
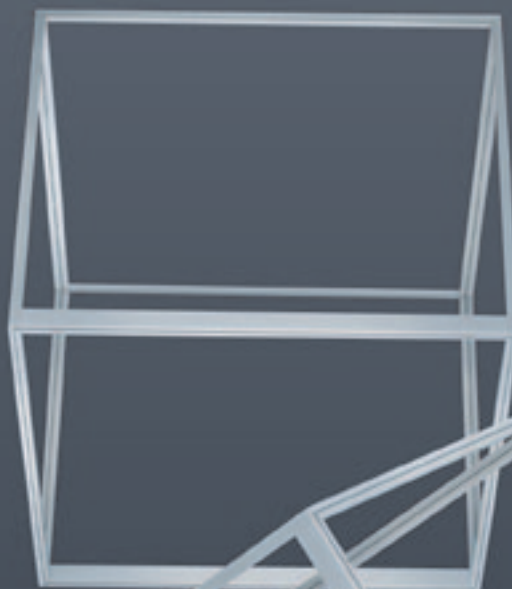
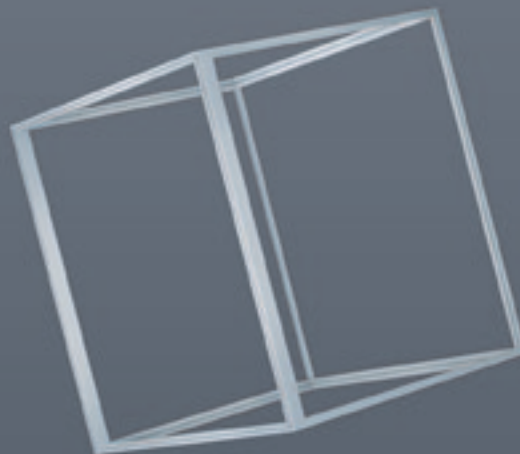
König + Neurath AG  
Büromöbel-Systeme  
Industriestraße 1–3  
61184 Karben  
Tel.: +49 (0)6039 483-0  
Fax: +49 (0)6039 483-214  
e-mail: [info@koenig-neurath.de](mailto:info@koenig-neurath.de)  
[www.koenig-neurath.de](http://www.koenig-neurath.de)

### Great Britain

K + N International  
(Office Systems) Ltd  
52 Britton Street  
London EC1M 5UQ  
Tel.: +44 (0)20 74909340  
Fax: +44 (0)20 74909349  
e-mail: [sales@kn-international.co.uk](mailto:sales@kn-international.co.uk)  
[www.kn-city.co.uk](http://www.kn-city.co.uk)

### Nederland

König + Neurath Nederland  
Office Furniture  
Airport Business Park Lijnden  
Frankfurtstraat 18–22  
1175 RH Lijnden  
Tel.: +31 (0)20 4109410  
Fax: +31 (0)20 4109419  
e-mail: [info@konig-neurath.nl](mailto:info@konig-neurath.nl)  
[www.konig-neurath.nl](http://www.konig-neurath.nl)



KN-04\_12\_HD/5/2\_1\_/Printed on chlorine-free bleached paper.