

TALO.YOU CONFERENCE TABLE

- + **Shape form:** rectangular, boat and trapezoidal top and trapezoid, video conference table in rhombus and hexagonal shape
- + Leg frame design round or square tube
- + A-leg frame, also on castors
- + **Single tables in sizes:**
Width 1,600 to 2,400 mm, depth 1,400 to 1,600 mm
- + **Height adjustment**
Motorised height adjustment from 640 to 1,300 mm
- + **Gas lift version**
for nesting tables, conference and meeting tables, adjustable from 720 to 1,220 mm
- + **Fixed height 750 mm and standing height of 1,060 mm**
- + Metal cable tray/clip-down cable tray, plastic clip-down cable tray
- + Variety of extensions and accessories
- + Wide range of desktop electrics options, cable slot
- + Optional: delivery in component form, boxed

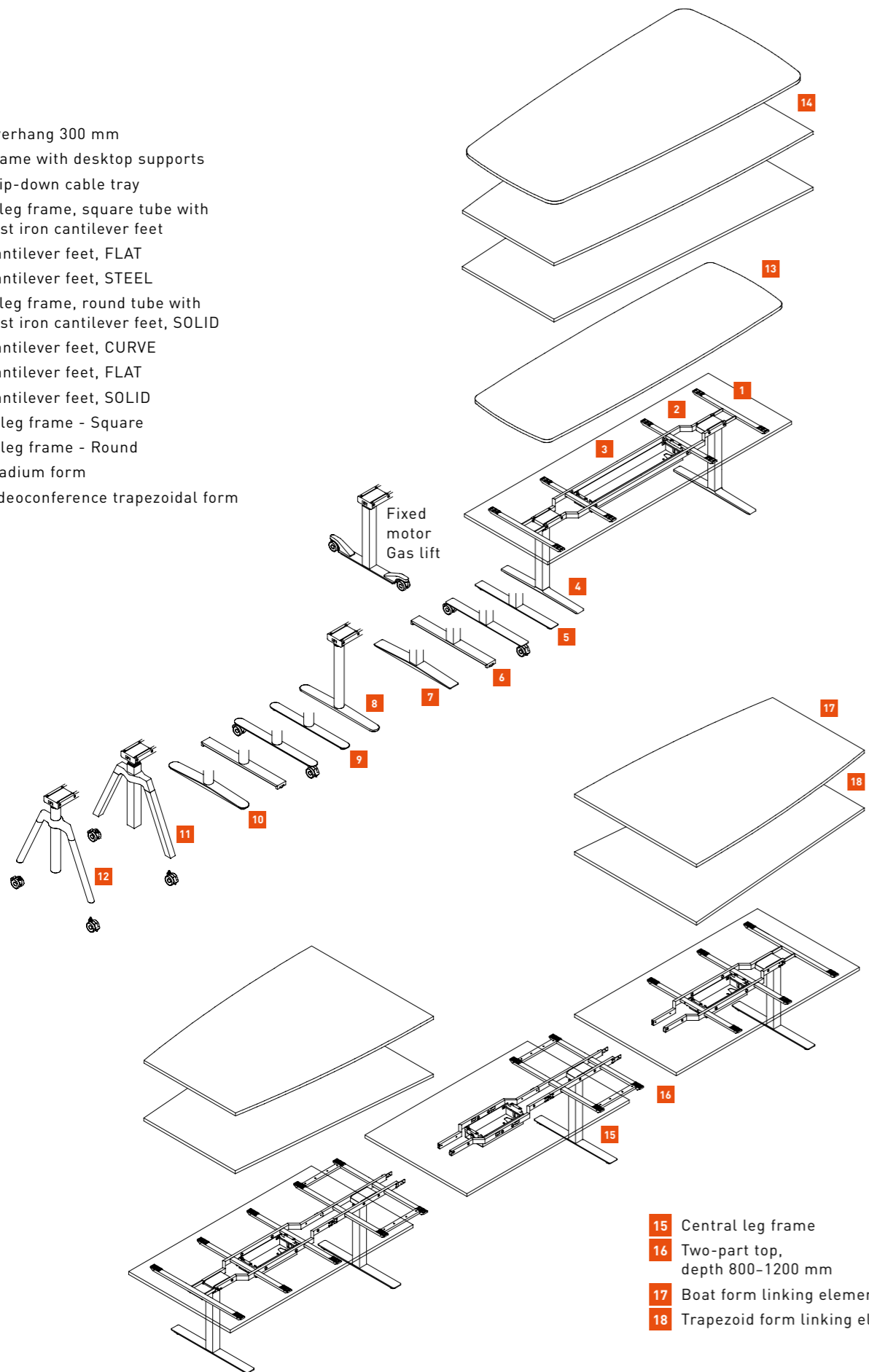


Conference
type hexagon

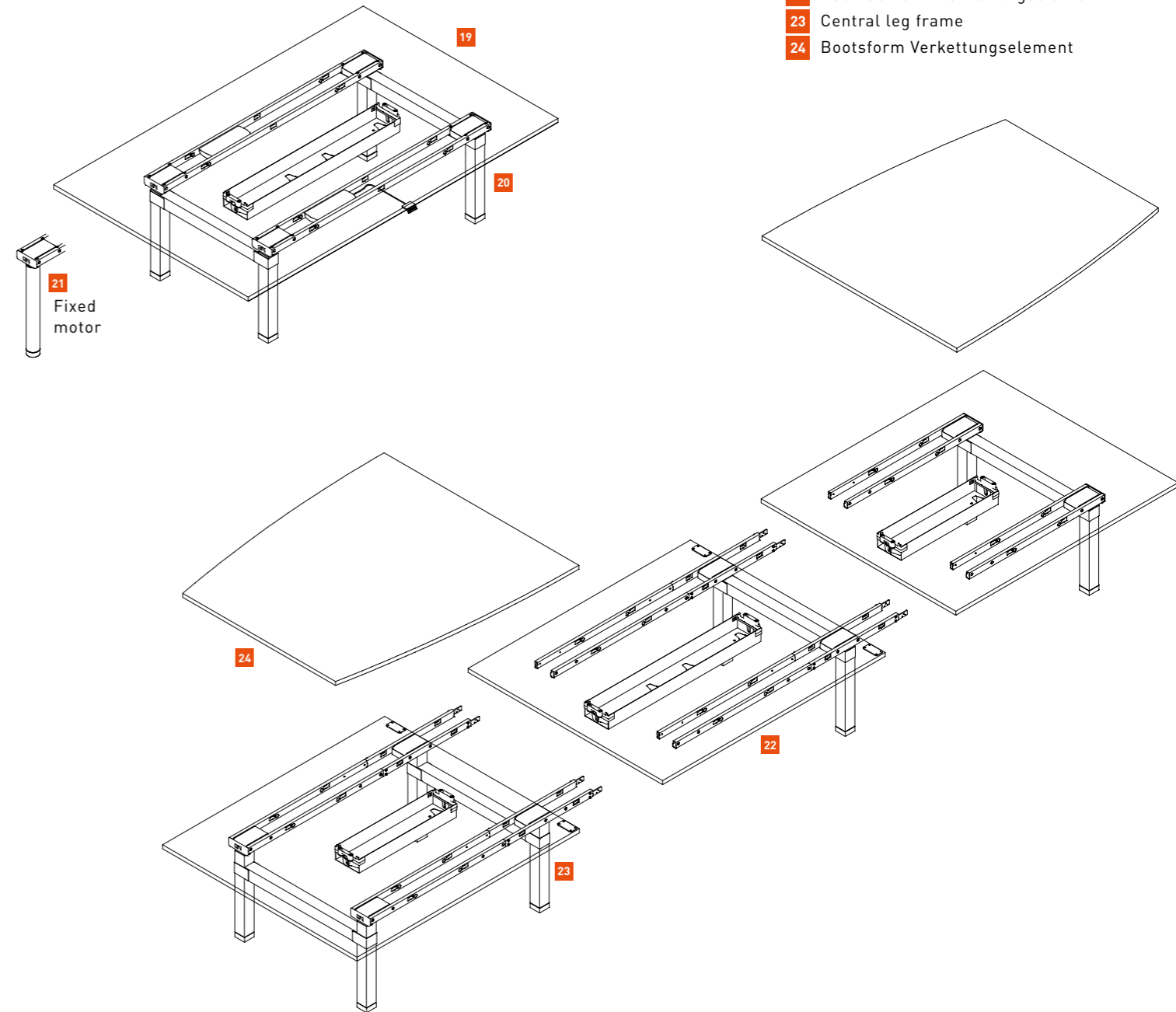


CONFERENCE TABLES

- 1 Overhang 300 mm
- 2 Frame with desktop supports
- 3 Clip-down cable tray
- 4 T-leg frame, square tube with cast iron cantilever feet
- 5 Cantilever feet, FLAT
- 6 Cantilever feet, STEEL
- 7 T-leg frame, round tube with cast iron cantilever feet, SOLID
- 8 Cantilever feet, CURVE
- 9 Cantilever feet, FLAT
- 10 Cantilever feet, SOLID
- 11 A-leg frame - Square
- 12 A-leg frame - Round
- 13 Stadium form
- 14 Videoconference trapezoidal form



- 19 Table depth 1400 / 1600 mm
- 20 4-leg frame, square tube
- 21 4-leg frame, round tube
- 22 Rechteckform Verkettungselement
- 23 Central leg frame
- 24 Bootsform Verkettungselement



TALO.YOU INFOCARD CONFERENCE TABLE



1 | FRAME DESIGN

Square/round tube leg columns are also available with an A-leg frame in steel tube or real wood.



4 | VIDEO CONFERENCE TABLE IN RHOMBUS SHAPE

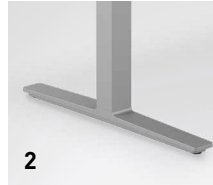
The top shape makes it possible to combine several tables to form a professional video conferencing table system.



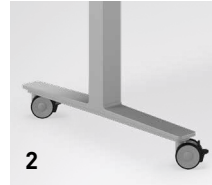
5



6



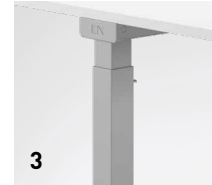
2



2

2 | FRAME TYPES

Symmetrical on glides or castors.



3



3

3 | FRAME LEGS

Square tube (70 x 70 mm), round tube (Ø 70 mm).

	Conference
Height adjustment	
Fixed height	750 mm
Standing height	1,060 mm
Electric motor, double telescopic action Adjustable in height: 640 to 1,300 mm	<input type="checkbox"/>
Gas lift, double telescopic action Adjustable in height: 720 to 1,220 mm	<input type="checkbox"/>
Legs/Frame	
T-leg (round and square tube)	<input checked="" type="checkbox"/>
Frame type, A-leg	<input checked="" type="checkbox"/>
Design cantilever feet	<input checked="" type="checkbox"/>
Castors	<input checked="" type="checkbox"/>
Wire management	
With matching clip-down cable tray or cable clip	<input type="checkbox"/>
Choice of electrics options	<input type="checkbox"/>
3rd level add-ons	
Modesty panel	-

■ Basis □ Option



7

5 | WIRELESS CHARGING

Wireless charging for mobile devices, marked with a sticker on the table top.

6 | VARIABLE WIRE MANAGEMENT

Choose from all the usual electrics options.

7 | INTELLIGENT SOCKET

Rotating electrics with 3, 4 and 5-gang options.



8



9

8 | PRACTICAL AND DISCREET:

the cable outlet box made of plastic and stainless steel.

9 | TIDY SOLUTION

This flexible cable clip bundles up to eight cables together under the table top.