

---

INSIDE.50 COUNTER

**A STYLISH RECEPTION**  
FOR YOUR *VISITORS*

---



# EVERY COMPANY'S CALLING CARD



Complementary  
seating for the  
waiting area  
↓



**PHONEBOX**  
*A quiet place for private chats  
in the waiting area.*



**LOUNGE-CHAIR**  
*Come in, sit down  
and relax.*



**LOUNGE ISLANDS**  
*Inviting upholstered seat elements make time pass  
quickly while you wait.*

---

**THE RECEPTION AREA IS THE FIRST KEY POINT OF CONTACT BETWEEN THE COMPANY AND THE VISITOR. FIRST IMPRESSIONS ARE MADE WITHIN MINUTES. THE INSIDE.50 COUNTER SOLUTION COMMUNICATES AN UNDERSTATED COMPETENCE THROUGH ITS CLEAR-CUT DESIGN. THE COMBINATION OF HIGH-QUALITY MATERIALS OPENS UP A MYRIAD OF DESIGN POTENTIAL.**

---

# PAY MORE ATTENTION TO THE *RECEPTION AREA*



WITH **INSIDE.50** YOU CAN CREATE A **DISTINCTIVE PROFILE TO REPRESENT YOUR CORPORATE VALUES**. AS SOON AS YOU WALK IN THE OPEN ATMOSPHERE MAKES VISITORS FEEL WELCOME. THE RECEPTION AREA IS THE IDEAL MEETING POINT FOR GUESTS AND EMPLOYEES, AS WELL AS PROVIDING AN AREA IN WHICH TO WORK EFFECTIVELY. THE COUNTER PROVIDES AN ELEGANT SCREEN FOR WORKING MATERIALS AND DOCUMENTS.

# ALWAYS INVITING AND ELEGANT – IN ANY CONFIGURATION

FUNCTION MEETS AESTHETICS

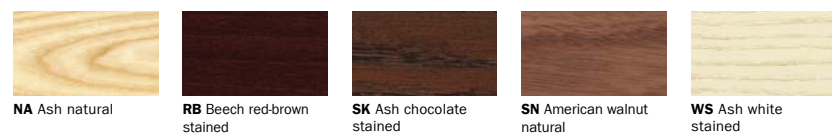
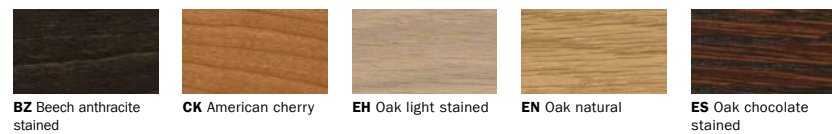
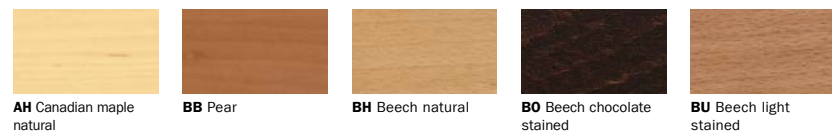


EXPERIMENT WITH THE DIFFERENT MATERIALS AND FINISHES, AND TAKE ADVANTAGE OF THE GENEROUS DESIGN SCOPE. INSIDE.50 AS A COUNTER SOLUTION ALWAYS LOOKS SUBTLY ELEGANT, UNDERLINING THE REPRESENTATIVE CHARACTER OF THE RECEPTION AREA.

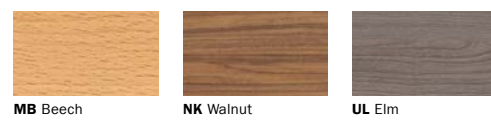
## MELAMINE SOLID COLOUR



## VENEER



## MELAMINE PATTERNED



## POWDER-COATED METAL

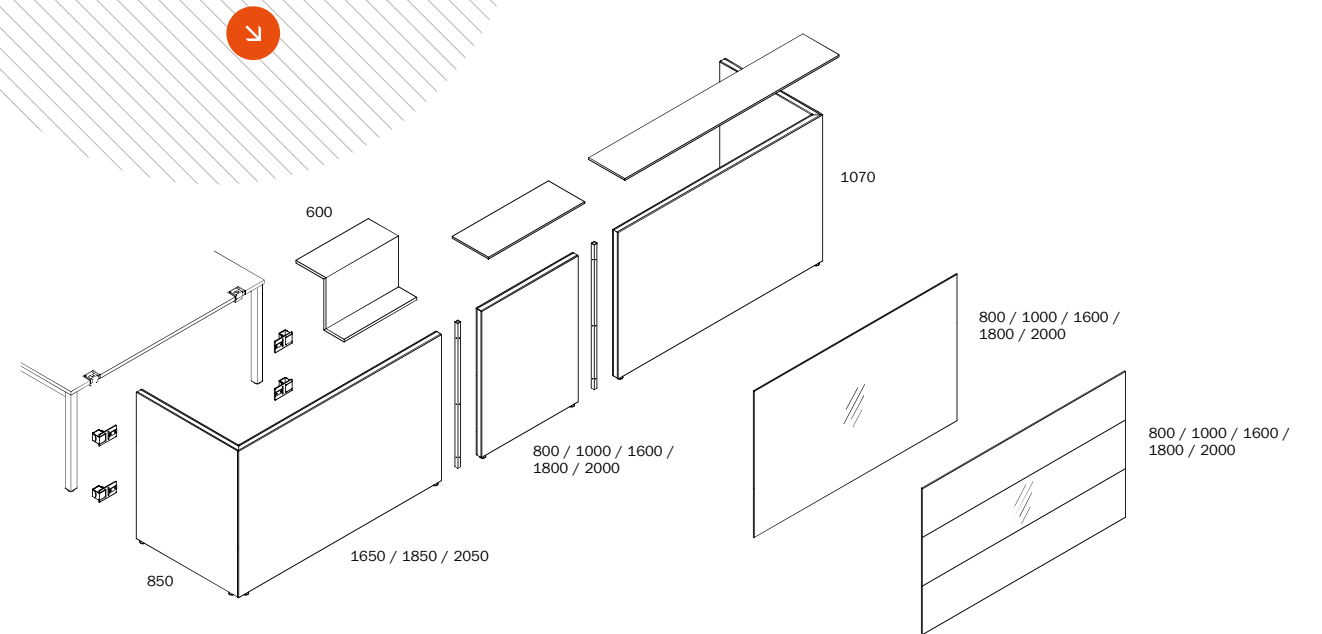


## GLASS



Subject to technical changes, printing errors and programme modifications. Colours shown may differ from the originals for typographical reasons.

## INSIDE.50 COUNTER DETAILS AND OVERVIEW OF ELEMENTS



- 1 | INTELLIGENT**  
The desk linking set with Velcro fastener is set into a horizontal profile slot across the full width to form a sturdy connection with four-legged workstations.
- 2 | REMOVABLE**  
The panels are attached with Velcro fasteners and can simply be replaced as required.
- 3 | WELL-LINKED**  
The glass panels are securely fitted with frame bolts.
- 4 | PRACTICAL**  
The briefcase shelf can be positioned anywhere along the panel and offers maximum comfort for visitors.

**Deutschland**

König + Neurath AG  
Büromöbel-Systeme  
Industriestraße 1–3  
61184 Karben  
Tel.: +49 (0)6039 483-0  
Fax: +49 (0)6039 483-214  
e-mail: [info@koenig-neurath.de](mailto:info@koenig-neurath.de)  
[www.koenig-neurath.de](http://www.koenig-neurath.de)

**Great Britain**

K + N International  
(Office Systems) Ltd  
52 Britton Street  
London EC1M 5UQ  
Tel.: +44 (0)20 74909340  
Fax: +44 (0)20 74909349  
e-mail: [info@koenig-neurath.co.uk](mailto:info@koenig-neurath.co.uk)  
[www.koenig-neurath.co.uk](http://www.koenig-neurath.co.uk)

**Nederland**

König + Neurath Nederland  
Office Furniture  
Airport Business Park Lijnden  
Frankfurtstraat 18+22  
1175 RH Lijnden  
Tel.: +31 (0)20 4109410  
Fax: +31 (0)20 4109419  
e-mail: [info@konig-neurath.nl](mailto:info@konig-neurath.nl)  
[www.konig-neurath.nl](http://www.konig-neurath.nl)

**France**

König + Neurath AG  
Showroom Paris  
66, rue de la Victoire  
75009 Paris  
Tel.: +33 (0)1 44 63 23 93  
Fax: +33 (0)1 44 63 23 97  
e-mail: [info@koenig-neurath.fr](mailto:info@koenig-neurath.fr)  
[www.koenig-neurath.fr](http://www.koenig-neurath.fr)

**Schweiz**

König + Neurath (Schweiz) GmbH  
Büromöbel-Systeme  
St. Gallerstrasse 106 d  
CH-9032 Engelburg / St. Gallen  
Tel.: +41 (0)52 770 22 42  
e-mail: [info@koenig-neurath.de](mailto:info@koenig-neurath.de)  
[www.koenig-neurath.de](http://www.koenig-neurath.de)