

 **LIPPERT™**

2024 OEM CATALOG



**PAGE INTENTIONALLY
LEFT BLANK FOR TWO
PAGE VIEWING**



Lippert is a leading, global manufacturer and supplier of highly engineered products and customized solutions, dedicated to the promise that whenever, wherever, we make your experience better. We engineer, design and manufacture products in EMEA focusing on lightweight and space-saving product designs crucial for success in the European Caravan Market. With teams across the continent, we provide a complete line of high-quality products.

Whenever, wherever, we make your experience better.™

TABLE OF CONTENTS

SPACE ON DEMAND

02

BIKE CARRIERS

10

WINDOWS & ROOF VENTS

20

DOORS & SERVICE DOORS

36

STEPS

48

BLINDS & FLYSCREENS

62

BEDS & LADDERS

76

TV BRACKETS

100

TABLE LEGS

112

WATER TANKS

132

POWER ON BOARD

136

ACCESSORIES

148



SPACE ON DEMAND





Open up your customer's camper van with our integrated, Vela pop-up or get space-on-demand with a Lippert slide-out. Our award-winning SmartRoom slide-out increases living space, all the while remaining compact when driving.

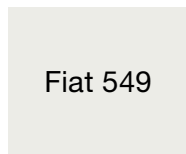
VELA

Pop-up roof

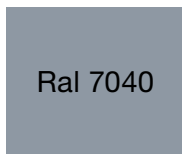
- Designed for third generation Fiat Ducato H2
- Top and bottom panels are constructed with thermoformed technology using acrylonitrile butadiene styrene (ABS) and polymethyl methacrylate (PMMA) with closed-cell extruded polystyrene foam spacers
- Construction materials make this pop top lighter than standard rooftop units
- Canvas made from 100% double-coated polyester
- Two LED map lights illuminate the area around the bed for safety
- Pre-wired with electric cable to manage the roof light and solar panel (not included)
- Folding ladder available upon request
- Large aluminum bed frame with wooden slats provides ample sleeping space (mattress not included)



Color options*



White



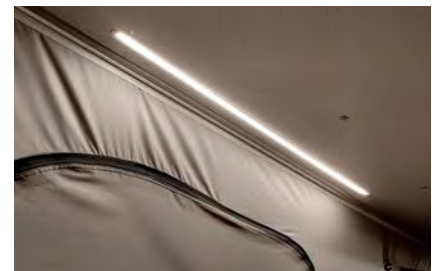
Window grey



Provides an extra sleeping area with primary access through the roof of the unit



Integrated USB ports conveniently charge phones, tablets and more



Two rooftop LED light strips provide overhead lighting

Space	↕ Length	↔ Width	↕ Height	Solar Panel Allowance
Closed	3.000 mm	1.620 mm	260 mm	220 watts
Opened	3.000 mm	1.620 mm	1.080 mm	
Entrance	1.000 or 1.100 mm	600 mm	--	
Bed base	1.950 mm	1.250 mm	35 mm	
Accepts mattress size	1.950 mm	1.250 mm	50 mm	

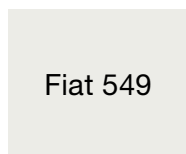
BELVEDERE

Pop-up roof

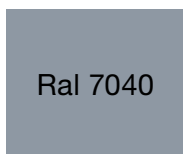
- Designed for fourth generation Ford Transit
- Provides an extra sleeping area with primary access through the roof of the unit
- Top is constructed out of fiberglass-laminated external sheets with closed-cell extruded polystyrene foam panels and a PVC frame
- Bottom panel is constructed with thermoformed technology using acrylonitrile butadiene styrene (ABS) and polymethyl methacrylate (PMMA) with closed-cell extruded polystyrene foam spacers
- Construction materials make this pop top lighter than standard rooftop units
- Thermo-insulated panels keep campers warm
- Canvas made from 100% double-coated polyester
- Two LED map lights illuminate the area around the bed for safety
- Integrated USB ports conveniently charge phones, tablets and more
- Folding ladder available upon request
- Large aluminum bed frame with wooden slats provides ample sleeping space (mattress not included)
- Available with or without blind spoiler (see w 31 for VISTA window system)



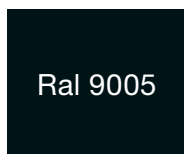
Color options*



White



Window grey



Jet black

Space	↕ Length	↔ Width	↕ Height	Solar Panel Allowance
Closed	2.910 mm	1.625 mm	170 mm	220 watts
Opened	2.910 mm	1.625 mm	1.050 mm	
Entrance	600 mm	1.000 mm	--	
Bed base	1.950 mm	1.180 mm	35 mm	
Mattress (not included)	1.950 mm	1.180 mm	50 mm	

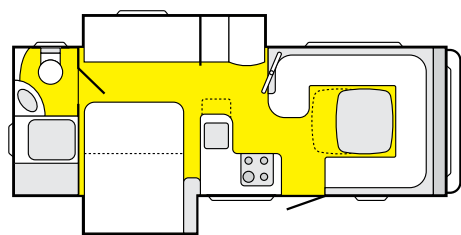
*Color swatches are representative only. Please call for exact color specifications.



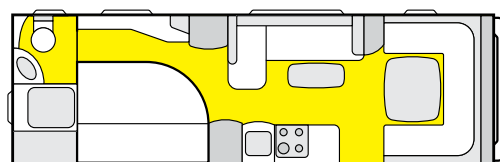
SMARTROOM®

Slide-out on-demand

- Lightweight room increases the living space within a caravan or motorcaravan
- Innovative design allows the vehicle to maintain its overall length
- No additional frame and chassis components required
- Easy to open and close with the push of a button
- For a complete SmartRoom®, slide-out kit and slide-out frame kit are required



SmartRoom version



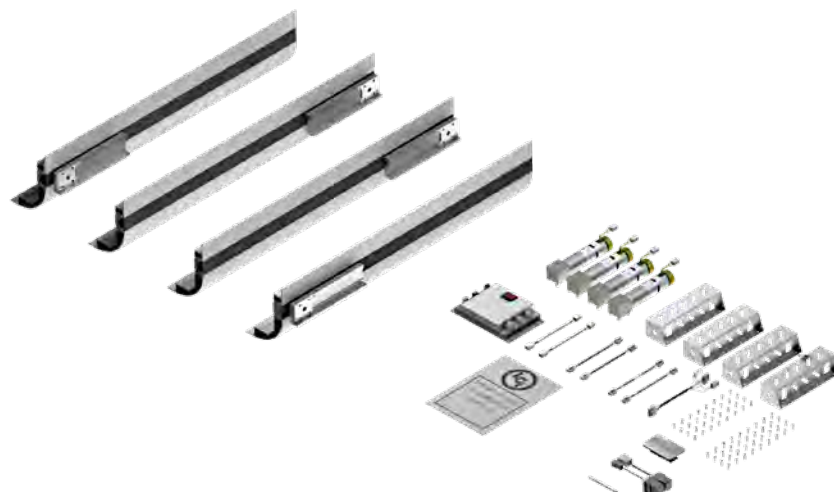
Standard version

Figure	Vehicle Weight	↕ Vehicle Length	↕ Living Area	↕ Vehicle Width
SmartRoom	1.868 kg	6.651 mm	17,60 sqm	2.286 mm
Standard	1.974 kg	7.464 mm	17,00 sqm	2.286 mm

SMARTROOM®

Slide-out kit

- Extends the vehicles's wall for increased living space
- Equipped with an sensor to alert users the slide-out is in the open position before they travel
- Includes versatile and flexible four-motor structure that moves on a rack and pinion system
- Kit includes four corners with pre-assembled motor, wiring, remote panel, control unit, relay kit and SmartRoom® drive key
- Panels not included

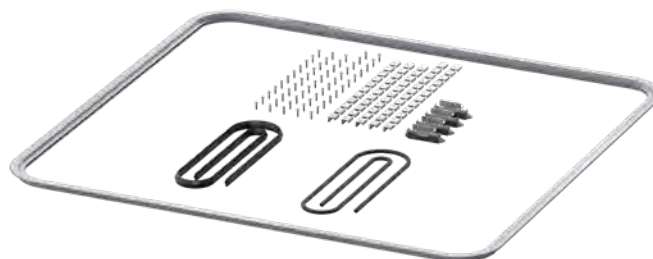


↕ Max Stroke	↕ Max Dimensions	📦	Absorption Per System	
			Nominal	Peak
700 mm to 1.000 mm	3.500 mm x 2.000 mm	28 to 35 kg	12A	40A

SMARTROOM®

Slide-out frame kit

- Seal provides superior adherence to avoid water leaks and dirt accumulation
- Designed with a specific V-shape that works with the wide radius of the angle pieces and flat surfaces of the side walls
- Kit includes: frame, frame brackets, seal, screws and roller supports
- Panels not included



↕ Width	↕ Height	Color	Material	Includes
1.600 mm to 3.500 mm	1.500 mm to 2.000 mm	White	Aluminum	Frame, frame brackets, seal, screws, roller supports







BIKE CARRIERS





Lippert bike carriers are made for taking bikes on adventures. We offer a variety of styles to integrate with the van or campervan layout. In fact, our multi-purpose designs provide a reliable solution for confidently transporting a variety of recreational equipment.



R-BIKE VAN

Bike carrier

- Designed for conversion vans
- Accepts two e-bikes or standard bikes
- Extends to fit three standard bikes with R-Bike 3Rail accessory (sold separately)
- Customizable design for easy installation and mounting
- Designed for serviceability and compatible with multiple accessories
- Comes standard in anodized aluminum or upgrade to corrosion-resistant automotive finish
- Meets ECE R26 vehicle safety mounting regulations



R-Bike Ducato (Alu)



Built-in anti-vibration device deters unwanted noise



Holds two e-bikes or standard bikes (up to three standard bikes with 3Rail accessory)



Robust and secure construction protects valuable bikes



R-Bike Ducato (Total black)



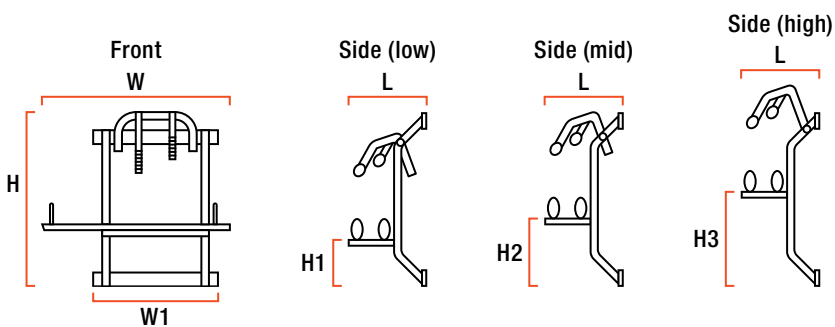
R-Bike Ducato (Black)



R-Bike Ducato (Grey)



R-Bike Ducato (White)



In the low and middle positions, it is mandatory to use the license plate bar with light unit

Van Make / Model	Years	↕ W	↕ W1	↕ H	↕ H1	↕ H2	↕ H3	↕ L	🛒	📦
Fiat Ducato	2007+	1.328 mm	825 mm	1.259 mm	284 mm	484 mm	684 mm	564 mm	10 kg	50 kg
Ford Transit	2014+	1.328 mm	847 mm	1.509 mm	191 mm	391 mm	591 mm	610 mm	10,5 kg	50 kg
Mercedes-Benz Sprinter	2020+	1.328 mm	831 mm	1.412 mm	191 mm	391 mm	591 mm	610 mm	10,5 kg	50 kg
Volkswagen Crafter	2017+	1.328 mm	821 mm	1.353 mm	191 mm	391 mm	591 mm	610 mm	10,5 kg	50 kg
Renault Master	2014+	1.328 mm	847 mm	1.509 mm	191 mm	391 mm	591 mm	610 mm	10,5 kg	50 kg

All pictures shown are for illustration purpose only. Actual product may vary due to product enhancement.

R-BAR

Accessory for R-Bike Van

- Converts R-Bike Van into a multi-use carrier for transporting various recreational equipment
- Designed for use with R-Skirun and R-Wave accessories
- Easy bolt-on installation
- Includes two bars and mounting hardware
- Available in four color options



Alu



Black



Grey



White



R-Bar

R-Bar

R-Bike Van

R-SKIRUN

NEW

Accessory for R-Bike Van

- Contains skis and snowboards for safe, stress-free transportation
- Innovative design allows for the door to be opened while skis are loaded
- Equipped with robust locking system and double-key padlock for cargo security
- Ergonomic release button for comfortable unloading
- Made from anodized aluminum and injection molded plastic to withstand the wear and tear of travel



Contains skis and snowboards for safe, stress-free transportation



Equipped with robust locking system and double-key padlock for cargo security



Made from anodized aluminum and injection molded plastic to withstand the wear

Name	↕ W	↕ H	↕ L	🛒	📦	Holds
R-Skirun	620 mm	130 mm	60 mm	3,2 kg	28 kg	Up to four pairs of coupled skis or two pairs of skis with two snowboards



R-WAVE

Accessory for R-Bike Van

- Modular racking system for transporting water equipment like surfboards and canoes
- Innovative design allows for the door to be opened while surfboards and canoes are loaded
- Versatile design allows for use with different sized surfboards (up to 250 cm) and canoes of comparable size
- Made from aluminum tubular pillars and a soft foam rubber for damage-free, heavy-duty use
- Racking system includes three pillars, two fabric bags, two upper straps and four front straps for optimal restraint against shifting
- Straps are easy to adjust for convenience and flexibility
- Available in four color options: alu, total black, grey and white

NEW



R-Wave (white)



Straps are easy to adjust for convenience and flexibility



Easily and securely installs with the provided hardware and hand clamps

Name	↕ W	↕ H	↕ D	📦	📦	Holds
R-Wave	512 mm	713 mm	310 mm	7 kg	50 kg	Up to five surfboards, three surfboards and one canoe or one surfboard and two canoes

All pictures shown are for illustration purpose only. Actual product may vary due to product enhancement.

R-BIKE 3RAIL

Accessory for R-Bike Van

- Allows R-Bike Van to transport three standard bikes
- Available in five color options



R-BRAKO PLIE

Accessory for R-Bike Van

- Locking arm provides enhanced security for bikes
- Pivoting center hinge allows for versatile fit
- Available in five color options





REPLACEMENT PARTS

For R-Bike Van

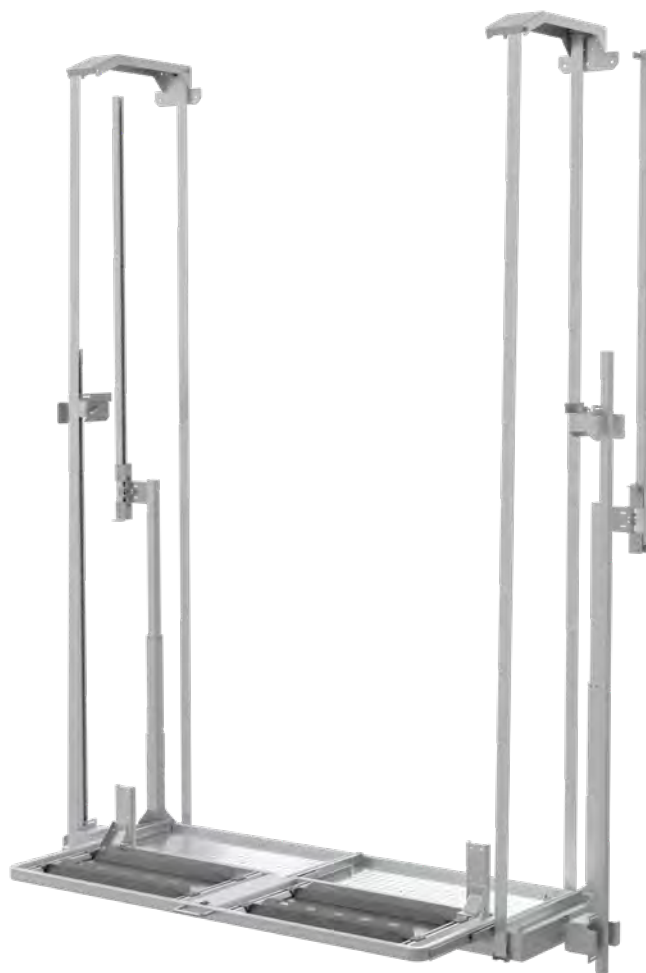


Name	Description	Alu	Total Black	Black	Grey	White
R-Brako 1	Locking bike arm, short	✓	✓	✓	✓	✓
R-Brako 2	Locking bike arm, long	✓	✓	✓	✓	✓
R-Rail	Tray-style rail	✓	✓	✓	✓	✓
R-Wire	Cinching strap for bike R-Rail	✗	✓	✓	✗	✗
R-Cap	Rail end caps	✗	✓	✓	✗	✗
R-Knob	Tightening knob	✗	✓	✓	✗	✗
R-Yolda Wire	Anti-slip spacer for R-Wire	✗	✓	✗	✗	✗
R-Yolda Brako	Arm brackets for all R-Brako	✗	✓	✗	✗	✗

BIKE-LOAD

Electric bike lifting system

- Integrated bike rack accommodates most bike sizes, motorcycles and mopeds
- Compatible with Class A motorhomes with a rear cargo door
- Lightweight aluminum tread plate floor provides superior corrosion resistance
- Prepped for electrical outlet integration



↕ L	↕ W	↕ H	🛒	🛒
2.030 mm	540 mm	170 mm	60 kg	50 kg

HOLDY

Garage bike anchoring systems

- Allows bikes and motorbikes to be secured in the motorcaravan's garage
- Lightweight aluminum construction provides superior corrosion resistance
- Includes two rails and five tie-down loops on each rail
- Easily installs with provided hardware (glue optional)



Quickly tie-down bikes and motorbikes



Name	Description	↕ L	↕ W	↕ H
Holdy Flat	Flat anchoring system	2.000 mm	25 mm	35 mm
Holdy Corner	Corner anchoring system	2.000 mm	21 mm	56 mm
Holdy Hang	Replacement hooks	--	--	--





WINDOWS & ROOF VENTS





Polyplastic caravan, camper and van window systems provide a clear view of the adventure, featuring quality construction and intuitive functionality coupled with seamless integrated designs. We offer standard window systems, and custom solutions to provide countless options in varying configurations and sizes.



POLYPLASTIC

BY  **LIPPERT**

Polyplastic, a Lippert brand, offers a unique combination of state-of-the-art manufacturing and contactless thermoforming technology. We produce superb, transparent, lightweight cast acrylic-based solutions across a variety of industries. For more than 70 years, our customers have enjoyed the benefits of our passion for design, customized focus and rich industry experience, coupled with highly-engineered machinery, short lead times, and exceptional optical and thermal performance.

General Polyplastic by Lippert window system features

- In-house produced cast acrylic PMMA (Roxite® Premium)
- Stronger on impact compared to glass (approx. 11x)
- Made from shatterproof, high-transparent material
- Exceptional optical and thermal performance
- Higher light transmission versus other solutions
- 10-year UV protection against fade and discoloration
- Easy-to-clean and no maintenance required
- Specially designed accessories
- A required choice in window system options
- Decorative screen print options available
- Standard 2-year warranty
- Homologated according to UN/ECE R43 and FMVSS 205 approved

Purchasing a Polyplastic window system requires a sequence of steps. Please reach out to our sales department for assistance with determining the best systems, accessories, sizing and customization options for your unique setup. For questions or additional information, please visit lippertcomponents.eu. We are also available by phone or email at +31(0)104461100 / info@polyplastic.nl.

WINDOW SYSTEMS

Application and installation

See the options for vehicle application and installation of our standard window systems in the overview below. On special request we offer custom design with our Specials.



Primo



Mezzo



Aero



Curvo



Transito



Polyvision Eco



Polyvision Aero



Polyvision Slide



Polyvision Curved



Polylux



Vista Ducato



Vista Transit



Piuma

Market	Category	Window Name	Available Sizes	Pane	Vehicle Application			Vehicle Installation Location				
					Camper	Caravan	Van	Front	Side	Rear	Roof	Pano
Non-integrated	Hinged window systems	Primo	31	Double	✓	✓	✓	✓	✓	✓	--	--
		Mezzo	6	Double	✓	✓	✓	✓	✓	✓	--	--
		Aero	12	Double	✓	✓	✓	✓	✓	✓	--	--
		Curvo	48	Double	--	--	✓	--	✓	✓	--	--
		Transito	4	Double	--	--	✓	--	✓	✓	--	--
Semi-integrated	Aluminum frame window systems	Polyvision Eco	67	Double	✓	✓	--	--	✓	✓	--	--
		Polyvision Aero	91	Double	✓	✓	--	--	✓	✓	--	--
		Polyvision Slide	39	Double	✓	✓	--	--	✓	✓	--	--
		Polyvision Curved	20	Double	--	--	✓	--	✓	✓	--	--
Fully-integrated	Polymer frame window systems	Polylux	1	Double	✓	✓	✓*	--	--	--	✓	--
		Vista Ducato	1	Double	--	--	✓	--	--	--	--	✓
		Vista Transit	1	Double	--	--	✓	--	--	--	--	✓
		Piuma	6	Double	✓	✓	--	--	✓	✓	--	--
Specials	Special requests	Special	--	Double or single	✓	✓	✓	✓	✓	✓	✓	✓
		Exclusive special	--	Double or single	✓	✓	✓	✓	✓	✓	✓	✓

* Only when using customer adapter

PRIMO

Non-integrated | Hinged

- Top-hung
- Bulged, robust design with solid edges
- Installation on straight walls
- Screw or glue connected aluminum hinge bar
- Customize by making choices for standard parts and system options



Accessory options

- Interior blind and flyscreen



Top Corner Radius	↔ Standard Wall Aperture Ranges		Wall Aperture Radius	↓	🛒
	↕ H	↕ W			
16 mm	250 mm to 800 mm	350 mm to 1.450 mm	75 mm	27 mm to 37 mm	1,3 kg to 6,4 kg

MEZZO

Non-integrated | Hinged

- Top-hung
- Sleek, elegant design with soft edges
- Installation on straight walls
- Screw or glue connected aluminum hinge bar
- Customize by making choices for standard parts and system options
- Custom screen print design possible



Accessory options

- Interior blind and flyscreen



Top Corner Radius	↔ Standard Wall Aperture Ranges		Wall Aperture Radius	↓	🛒
	↕ H	↕ W			
15 mm	350 mm to 550 mm	450 mm to 900 mm	75 mm	27 mm to 37 mm	2,5 kg to 5,0 kg

AERO

Non-integrated | Hinged

- Top-hung
- Aerodynamic, flush design with smooth edges
- Installation on straight walls
- Screw or glue connected aluminum hinge bar
- Customize by making choices for standard parts and system options
- Custom screen print design possible



Accessory options

- Interior blind and flyscreen



Top Corner Radius	↔ Standard Wall Aperture Ranges		Wall Aperture Radius	↓	🛒
	↕ H	↕ W			
14 mm	300 mm to 1.030 mm	300 mm to 1.800 mm	75 mm	18 mm to 28 mm	2,1 kg to 13,6 kg

CURVO

Non-integrated | Hinged

- Top-hung
- Curved, flush design with smooth edges
- Installation only on curved walls with radius 4.991 mm
- Screw or glue connected aluminum hinge bar
- Customize by making choices for standard parts and system options
- Custom screen print design possible
- Round window (porthole) possible

NEW



Accessory options

- Interior blind and flyscreen



Profile curve radius



Top Corner Radius	↔ Standard Wall Aperture Ranges		Wall Aperture Radius	Profile Curve Radius	↓	🛒
	↕ H	↕ W				
10 mm	210 mm to 570 mm	280 mm to 985 mm	75 mm	4.991 mm	33 mm to 43 mm	1,1 kg to 4,7 kg



TRANSITO

NEW

Non-integrated | Hinged

- Top-hung
- 3D curved design with smooth edges
- Exclusive design for the back doors of a Ford Transit H3
- Screw or glue connected aluminum hinge bar
- Customize by making choices for standard parts and system options
- Custom screen print design possible



Accessory options

- Interior blind and flyscreen

Top Corner Radius	↔ Standard Wall Aperture Ranges		Wall Aperture Radius	↓ BUILD-UP HEIGHT FROM WALL	🛒 PRODUCT WT
	↕ H	↕ W			
35 mm	380 mm to 500 mm	280 mm to 985 mm	75 mm	20 mm to 40 mm	2 kg to 6 kg

POLYVISION ECO

Semi-integrated | Aluminum frame

- Manually operated tilt window
- Robust, bulged design
- Installation in straight walls
- Lightweight powder-coated aluminum frame
- Unique integrated thermal bridge inside window frame to reduce condensation
- Customize by making choices for standard parts and system options
- Pre-assembled for quick and easy installation



Accessory options

- Interior blind and flyscreen
- Cover profile



↔ Standard Wall Aperture Ranges		Wall Aperture Radius	↕	Wall Thickness	🛒
↕ H	↕ W				
200 mm to 900 mm	350 mm to 1.800 mm	75 mm	23 mm to 33 mm	24 mm to 44 mm	1,1 kg to 9,0 kg

POLYVISION AERO

Semi-integrated | Aluminum frame

- Manually operated tilt window
- Aerodynamic, flush design
- Installation in straight walls
- Lightweight powder-coated aluminum frame
- Unique integrated thermal bridge inside window frame to reduce condensation
- Customize by making choices for standard parts and system options
- Pre-assembled for quick and easy installation



Accessory options

- Interior blind and flyscreen
- Cover profile



↔ Standard Wall Aperture Ranges		Wall Aperture Radius	↕	Wall Thickness	🛒
↕ H	↕ W				
250 mm to 1.000 mm	350 mm to 1.600 mm	75 mm	7 mm to 17 mm	24 mm to 44 mm	1,3 kg to 11,0 kg

POLYVISION SLIDE

Semi-integrated | Aluminum frame

- Manually operated sliding window
- Unique sleek design
- Installation in straight walls
- Lightweight powder-coated aluminum frame
- Sliding rails for easy open / close operation
- Customize by making choices for standard parts and system options
- Pre-assembled for quick and easy installation
- Compatible with other Polyvision window systems



Accessory options

- Interior blind and flyscreen
- Cover profile

↔ Standard Wall Aperture Ranges		Wall Aperture Radius	↑ BUILD-UP HEIGHT FROM WALL	Wall Thickness	🛒
↕ H	↕ W				
300 mm to 900 mm	350 mm to 1.300 mm	75 mm	7 mm to 33 mm	24 mm to 38 mm	1,8 kg to 4,2 kg

POLYVISION CURVED

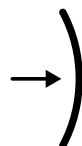
Semi-integrated | Aluminum frame

- Manually operated tilt window
- Curved, aerodynamic, flush design
- Designed for curved walls with radius 4991 mm
- Lightweight powder-coated aluminum frame
- Unique integrated thermal bridge inside window frame to reduce condensation
- Customize by making choices for standard parts and system options
- Pre-assembled for quick and easy installation



Accessory options

- Interior blind and flyscreen
- Cover profile



Profile curve radius

↔ Standard Wall Aperture Ranges		Wall Aperture Radius	Profile Curve Radius	↑ BUILD-UP HEIGHT FROM WALL	Wall Thickness	🛒
↕ H	↕ W					
300 mm to 600 mm	220 mm to 1.300 mm	75 mm	4.991 mm	7 mm to 17 mm	24 mm to 44 mm	1,4 kg to 9,8 kg





WINDOWS & ROOF VENTS

POLYLUX

Fully-integrated | Aluminum frame

- Electrically operated, sliding roof window (12V, 20A, 240W)
- Low, aerodynamic window system to build on to a flat surface
- Lightweight powder-coated aluminum frame
- Low noise level while driving
- Driving when open permitted
- Operation temperature from -20°C to +50°C
- Released for use up to 160 km/h
- Customize by making choices for system options



Low noise level while driving



Easy operation with the touch of a button



Integrated blind and flyscreen

↕ Wall Aperture Height	↕ Wall Aperture Width	Roof Aperture Radius	↕ BUILD-UP HEIGHT FROM WALL	Roof Thickness	🛒
655 mm	960 mm	65 mm	69 mm to 79 mm	24 mm to 45 mm	19,5 kg

VISTA DUCATO

Fully-integrated | Polymer frame

- Manually operated panoramic roof window
- Unique aerodynamic design
- Available as openable version or fixed
- Intended use for an H2 vehicle with an X290 platform (Fiat Ducato, Peugeot Boxer, Citroën Jumper)
- Injection molded black, polymer adapter
- Installation by gluing and mechanical fixation
- Tested at speeds up to 160 km/h
- Easy-to-install system comes pre-assembled, including adapter, window and blind system
- Upgrade in 2024



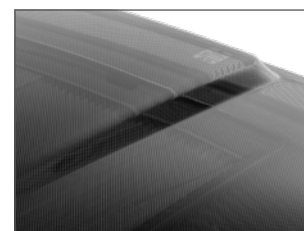
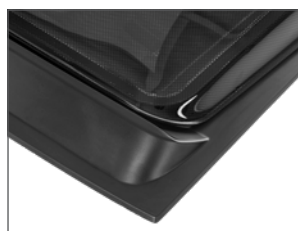
↕ Wall Aperture Height	↕ Wall Aperture Width	Wall Aperture Radius	↕	🛒
660 mm	1.270 mm	60 mm	80 mm	15,0 kg

VISTA TRANSIT

NEW

Fully-integrated | Polymer frame

- Fixed panoramic roof window
- Unique aerodynamic design
- Designed for Ford Transit H3
- Injection molded black, polymer adapter
- Installation by gluing and mechanical fixation
- Easy-to-install system comes pre-assembled, including adapter, window and blind system



↕ Wall Aperture Height	↕ Wall Aperture Width	Wall Aperture Radius	↕	🛒
780 mm	1.560 mm	60 mm	80 mm	15,0 kg



PIUMA

NEW

Fully-integrated | Polymer frame

- Lightweight manually operated tilt window
- Extremely flush and minimalistic design
- Complete, super thin window system, including frame, integrated rolo blind system and click-on interior finish
- Installation in straight walls
- Injection molded polymer frame
- Two-part assembly with integrated mounting clamps allow for easy installation in minutes
- Custom screen print design possible



Integrated mounting clamps



Flush, minimalistic interior finish



Easy assembly due to two-piece set-up

↔ Standard Wall Aperture Ranges		Wall Aperture Radius	↑ BUILD-UP HEIGHT FROM WALL	Wall Thickness	🛒 3,3 kg to 10,2 kg
↕ H	↕ W				
400 mm to 580 mm	350 mm to 1.300 mm	12 mm	5 mm to 15 mm	24 mm to 41 mm	

CUSTOM DESIGN

Specials | Special requests

As a leading manufacturer and supplier of highly engineered products and custom solutions, Polyplastic is committed to shaping and designing unique window systems within the caravanning, marine, equestrian and recreational vehicle industries.

With our custom designs and special requests, there are countless possibilities of window systems in diverse shapes, dimensions and installation locations. There are two customization categories available, Special or Exclusive Special. To request a custom window system requires following a sequence of steps that our sales department can assist with.

Special

Windows are created in a special dimension or shape based on a standard window series.

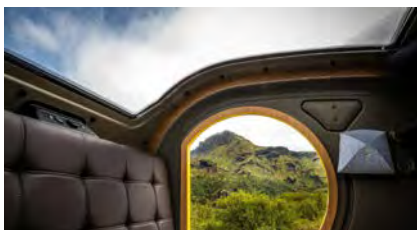
- Customer-specific window system
- Complete window system in-house designed
- Custom screen print option
- Homologated according to UN/ECE R43 and FMVSS 205 approved



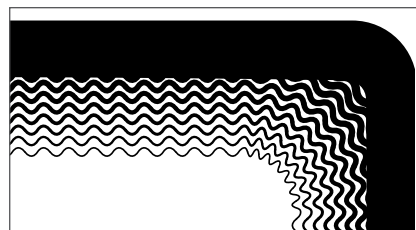
Exclusive special

Windows are developed in-house in partnership with the customer from design concept through engineering, production and product testing.

- Fully customized design for exclusive use
- Co-engineering starts during concept design of the vehicle
- Shaped to fit any wall or complex exterior parts
- Designs are exclusive property of the customer, tools remain property of Polyplastic B.V.
- Homologated according to UN/ECE R43 and FMVSS 205 approved



Countless possibilities for customization



Custom screen print example



Custom shape example

↔ Standard Wall Aperture Ranges				Screen Print Size	
↕ H	↕ W	Wall Aperture Radius	Top Corner Radius	↕ H	↕ W
200 mm to 1.500 mm	220 mm to 2.000 mm	Min 500 mm Max none	With rubber: 75 mm Without rubber: 0 - ∞ mm With frame: 12 or 75 mm	Max 2.300 mm	Max 1.300 mm



ACCESSORIES

NEW

Installation tools



Scissor

- Special scissor used for cutting the wall aperture rubber into the right length



Insert band fitting tool

- Used to put the insert band into the rubber



Dismounting tool

- Used to dismount Polyfix catches and stays



Rubber plast key fitting tool

- Used for fitting the rubber plast

Description	For use with
Scissor for wall aperture rubber	Non-integrated window systems
Dismounting tool	Non-integrated window systems

Description	For use with
Insert band fitting tool	Non-integrated window systems
Rubber plast key fitting tool	Fixed window systems

HOSEW & HOSEW-BAR



Roof vents

- Multi-position opening allows custom control of airflow
- Integrated, easy-to-use handles
- White Ral 9010 structure with smoked methacrylate cover
- Available with or without aluminum bars
- Manufactured by Lippert



Inside view

Outside view

WINDOWS & ROOF VENTS



Easy-to-use handle



For venting enclosed areas



Parallel opening



Side opening

Name	Color / Description	↕ Wall Aperture Height	↕ Wall Aperture Width
HOSEW-BAR	Smoked methacrylate with white aluminum bars	350 mm	550 mm
HOSEW	Smoked methacrylate without bars	350 mm	550 mm



DOORS & SERVICE DOORS





Lippert caravan and motorcaravan doors are durable, reliable and stylish to perfectly complement each vehicle model. We supply a range of standard sizes and configurable options, including various window sizes. We also offer compartment door options for worry-free cargo storage.

EASY POCKET

One-point lock entry door

- One-point locking system constructed from steel for reliable strength
- Equipped with right-hand aluminum hinges
- Locking system and hinges certified with ECE R11
- Painted, single body aluminum frame with a painted fiberglass outer panel
- Integrated window with blind to filter light and provide privacy
- Thermoformed, insulated construction for a secure, tight fit
- Includes built-in storage pockets

Contact us for requests. Available options:

- Manual or electric locks
- Standard or low-profile hinges
- Single- or double-pane windows
- With or without window
- With or without gas spring
- Exterior panel material options

Number of Hinges	↔ Cutout Dimension Ranges		
	↕ H	↕ W	Corner Radius
2	1.900 mm to 1.920 mm	550 mm to 570 mm	80 or 89 mm



EASY POCKET 2.0

One-point lock entry door

- One-point locking system constructed from steel for reliable strength
- Equipped with right-hand aluminum hinges
- Locking system and hinges certified with ECE R11
- Painted, single body aluminum frame with a painted fiberglass outer panel
- Integrated window with blind to filter light and provide privacy
- Thermoformed, insulated construction for a secure, tight fit
- Includes built-in storage pockets

Contact us for requests. Available options:

- Manual or electric locks
- Standard or low-profile hinges
- Single- or double-pane windows
- With or without window
- With or without gas spring
- Exterior panel material options

Number of Hinges	↔ Cutout Dimension Ranges		
	↕ H	↕ W	Corner Radius
3	1.740 to 1.750 mm	700 mm to 725 mm	82,5 mm



EASY STORAGE

One-point lock entry door

- One-point locking system constructed from steel for reliable strength
- Equipped with right-hand aluminum hinges
- Locking system and hinges certified with ECE R11
- Painted, single body aluminum frame with a painted fiberglass outer panel
- Integrated window with blind to filter light and provide privacy
- Thermoformed, insulated construction for a secure, tight fit
- Includes built-in dustbin compartment

Contact us for requests. Available options:

- Manual or electric locks
- Standard or low-profile hinges
- Single- or double-pane windows
- With or without window
- With or without gas spring
- Exterior panel material options

Number of Hinges	↔ Cutout Dimension Ranges		
	↕ H	↕ W	Corner Radius
2	1.885 mm to 1.931 mm	545 mm to 557 mm	80 or 89 mm



EASY STORAGE XL

One-point lock entry door

- One-point locking system constructed from steel for reliable strength
- Equipped with right-hand aluminum hinges
- Locking system and hinges certified with ECE R11
- Painted, single body aluminum frame with a painted fiberglass outer panel
- Integrated window with blind to filter light and provide privacy
- Thermoformed, insulated construction for a secure, tight fit
- Includes built-in dustbin compartment

Contact us for requests. Available options:

- Manual or electric locks
- Standard or low-profile hinges
- Single- or double-pane windows
- With or without window
- With or without gas spring
- Exterior panel material options

Number of Hinges	↔ Cutout Dimension Ranges		
	↕ H	↕ W	Corner Radius
2	1.900 mm to 1.950 mm	640 mm to 680 mm	80 or 89 mm



NEW

CLASSY

One-point lock entry door

- One-point locking system constructed from steel for reliable strength
- Equipped with right-hand aluminum hinges
- Hidden hinges for a clean look on the outside of the RV
- Locking system and hinges certified with ECE R11
- Painted, single body aluminum frame with a painted fiberglass outer panel
- Integrated window with blind to filter light and provide privacy
- Thermoformed, insulated construction for a secure, tight fit

Contact us for requests. Available options:

- Manual or electric locks
- With or without window
- Standard or low-profile hinges
- With or without gas spring
- Single- or double-pane windows
- Exterior panel material options

Number of Hinges	↔ Cutout Dimension Ranges		
	↕ H	↕ W	Corner Radius
2	1.700 mm to 2.000 mm	600 mm to 650 mm	80 mm



TEARDROP

One-point lock entry door

- One-point locking system constructed from steel for reliable strength
- Low-profile hinges for a clean look on the outside of the RV
- Locking system and hinges certified with ECE R11
- Painted, single body aluminum frame with a painted fiberglass outer panel
- Integrated window with blind to filter light and provide privacy
- Thermoformed, insulated construction for a secure, tight fit
- Includes built-in storage compartment and lower housing for fire extinguisher (not included)
- Includes two built-in storage pockets and a central magazine rack
- Features two chrome coat hooks for convenience

Contact us for requests. Available options:

- Manual or electric lock
- Exterior panel material options
- Single- or double-pane windows
- Single-pane window with silk screen printing
- With or without window

Number of Hinges	↔ Cutout Dimension Ranges		
	↕ H	↕ W	Upper Radius
3 (semi-concealed)	1.727 mm	660 mm	330 mm



TRENDY SMALL

Two-point lock entry door

- Two-point locking system constructed from steel for reliable strength
- Equipped with right-hand aluminum hinges
- Locking system and hinges certified with ECE R11
- Painted, single body aluminum frame with a painted fiberglass outer panel
- Integrated window with blind to filter light and provide privacy
- Thermoformed, insulated construction for a secure, tight fit
- Includes built-in dustbin compartment
- Premium brushed aluminum handle

Contact us for requests. Available options:

- Manual or electric locks
- With or without gas spring
- Standard or low-profile hinges
- Exterior panel material options
- Single- or double-pane windows

Number of Hinges	↔ Cutout Dimension Ranges		
	↕ H	↕ W	Corner Radius
2	1.740 mm to 1.945 mm	550 mm to 588 mm	80 or 89 mm



DOORS & SERVICE DOORS

TRENDY RIGHT

Two-point lock entry door

- Two-point locking system constructed from steel for reliable strength
- Equipped with right-hand aluminum hinges
- Locking system and hinges certified with ECE R11
- Painted, single body aluminum frame with a painted fiberglass outer panel
- Integrated window with blind to filter light and provide privacy
- Thermoformed, insulated construction for a secure, tight fit
- Includes built-in dustbin compartment

Contact us for requests. Available options:

- Manual or electric locks
- With or without gas spring
- Standard or low-profile hinges
- Exterior panel material options
- Single- or double-pane windows

Number of Hinges	Cutout Dimension		
	↕ H	↕ W	Corner Radius
2	1.905 mm to 1.960 mm	550 mm to 657 mm	80 or 89 mm



TRENDY LEFT

Two-point lock entry door

- Two-point locking system constructed from steel for reliable strength
- Equipped with left-hand aluminum hinges
- Locking system and hinges certified with ECE R11
- Painted, single body aluminum frame with a painted fiberglass outer panel
- Integrated window with blind to filter light and provide privacy
- Thermoformed, insulated construction for a secure, tight fit
- Includes built-in dustbin compartment

Contact us for requests. Available options:

- Manual or electric locks
- With or without gas spring
- Standard or low-profile hinges
- Exterior panel material options
- Single- or double-pane windows



Number of Hinges	↔ Cutout Dimension Ranges		
	↕ H	↕ W	Corner Radius
2	1.905 mm to 1.950 mm	550 mm to 660 mm	80 or 89 mm

TRENDY WAVE

Two-point lock entry door

- Two-point locking system constructed from steel for reliable strength
- Inner service panel for easy locking system maintenance
- Equipped with right-hand aluminum hinges
- Locking system and hinges certified with ECE R11
- Painted, single body aluminum frame with a painted fiberglass outer panel
- Integrated window with blind to filter light and provide privacy
- Thermoformed, insulated construction for a secure, tight fit
- Includes built-in storage pockets

Contact us for requests. Available options:

- Manual or electric locks
- With or without window
- Standard or low-profile hinges
- With or without gas spring
- Single- or double-pane windows
- Exterior panel material options



Number of Hinges	↔ Cutout Dimension Ranges		
	↕ H	↕ W	Corner Radius
2	1.895 mm to 1.970 mm	635 mm to 710 mm	80 or 89 mm

ARJA ROAD

Two-point lock entry door

- Electric (standard), two-point, steel locking system constructed from steel for reliable strength
- Equipped with right-hand, nickel-plated brass hinges
- Hidden hinges for a clean look on the outside of the RV
- Locking system and hinges certified with ECE R11
- Painted, single body aluminum frame with a painted fiberglass outer panel
- Electric glass window for easy operation with the press of a button
- Integrated window with flyscreen and blind to filter light and provide privacy
- Thermoformed, insulated construction for a secure, tight fit
- Includes built-in storage compartment

Contact us for requests. Available options:

- Manual or electric locks
- Exterior panel material options
- With or without gas spring

Number of Hinges	↔ Cutout Dimension Ranges		
	↕ H	↕ W	Corner Radius
4	1.910 mm to 1.965 mm	590 mm to 685 mm	82,5 mm



CHIC EVO

Two-point lock entry door

- Two-point locking system constructed from steel for reliable strength
- Inner service panel for easy locking system maintenance
- Equipped with right-hand aluminum hinges
- Locking system and hinges certified with ECE R11
- Painted, single body aluminum frame with a painted fiberglass outer panel
- Integrated window with blind to filter light and provide privacy
- Thermoformed, insulated construction for a secure, tight fit
- Includes built-in dustbin compartment
- Comfort handle for ergonomic operation

Contact us for requests. Available options:

- Manual or electric locks
- With or without gas spring
- Standard or low-profile hinges
- Exterior panel material options
- Single- or double-pane windows

Number of Hinges	↔ Cutout Dimension Ranges		
	↕ H	↕ W	Corner Radius
2	1.920 mm to 2.050 mm	670 mm to 830 mm	80 or 89 mm



COOL

NEW

Two-point lock entry door

- Electric (standard), two-point steel locking system constructed from steel for reliable strength
- Inner service panel for easy locking system maintenance
- Equipped with right-hand aluminum hinges
- Hidden hinges for a clean look on the outside of the RV
- Locking system and hinges certified with ECE R11
- Painted, single body aluminum frame with a painted fiberglass outer panel
- Integrated flyscreen and blind to filter light and provide privacy
- Thermoformed, insulated construction for a secure, tight fit
- Includes built-in dustbin compartment

Contact us for requests. Available options:

- Manual or electric locks
- With or without window
- Standard or low-profile hinges
- With or without gas spring
- Single- or double-pane windows
- Exterior panel material options

Number of Hinges	↔ Cutout Dimension Ranges		
	↕ H	↕ W	Corner Radius
2	1.700 mm to 2.000 mm	600 mm to 650 mm	89 mm



DOORS & SERVICE DOORS

CHILL

NEW

Two-point lock entry door

- Electric (standard), two-point steel locking system constructed from steel for reliable strength
- Inner service panel for easy locking system maintenance
- Lippert lock is UN/ECE R10 certified for safety and reliability
- Equipped with right-hand, nickel-plated brass hinges certified with ECE R11
- Painted, single body aluminum frame with a painted fiberglass outer panel
- Integrated blind to filter light and provide privacy
- Thermoformed, insulated construction for a secure, tight fit
- Includes built-in storage pockets

Contact us for requests. Available options:

- Manual or electric locks
- With or without gas spring
- Standard or low-profile hinges
- Exterior panel material options
- Single- or double-pane windows
- Premium ZAMAK entry handle
- With or without window

Number of Hinges	↔ Cutout Dimension Ranges		
	↕ H	↕ W	Corner Radius
2	1.700 mm to 2.000 mm	600 mm to 650 mm	80 mm



ATLANTIC

Two-point lock driver door

- Two-point locking system constructed from steel for reliable strength
- Automotive-style brackets assist with opening and hold at various positions
- Hidden hinges for a clean look on the outside of the RV
- Locking system and hinges certified with ECE R11
- Painted, single body aluminum frame with a painted fiberglass outer panel
- Large, trapezoid-shaped glass window for added light and visibility inside the vehicle
- Integrated window with blind to filter light and provide privacy
- Includes built-in storage compartment

Contact us for requests. Available options:

- Manual or electric locks
- Exterior panel material options

Number of Hinges	↔ Cutout Dimension Ranges		
	↕ H	↕ W	Corner Radius
7	2.223 mm	849 mm	90 mm



OPEN LUX

Two-point lock driver door

- Two-point locking system constructed from steel for reliable strength
- Hidden hinges for a clean look on the outside of the RV
- Locking system and hinges certified with ECE R11
- Painted, single body aluminum frame with a painted fiberglass outer panel
- Electric glass window for easy operation with the press of a button
- Integrated window with blind to filter light and provide privacy
- Thermoformed, insulated construction for a secure, tight fit
- LED light illuminates the ground for secure access
- Joystick mirror for easy adjustment of view (mirror not included)
- Includes built-in pocket storage
- Automotive-style brackets assist with opening and hold at various positions

Contact us for requests. Available options:

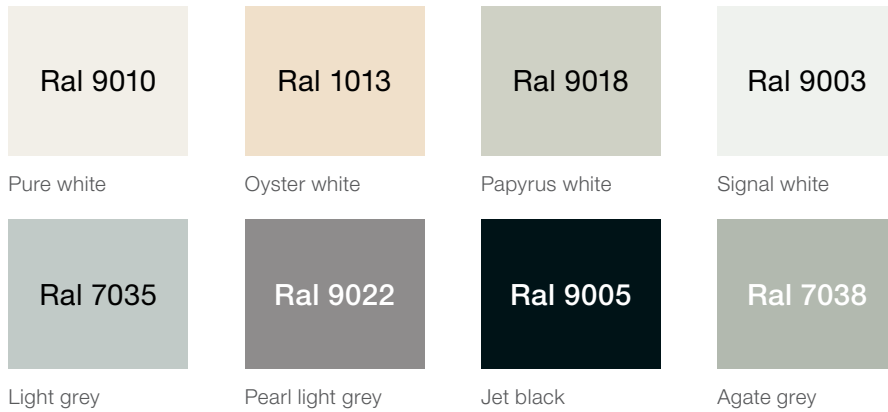
- Manual or electric locks
- With or without gas spring
- Standard or low-profile hinges
- Exterior panel material options

Number of Hinges	↔ Cutout Dimension Ranges		
	↕ H	↕ W	Corner Radius
3	1.620 mm to 1.800 mm	650 mm to 800 mm	82,5 mm

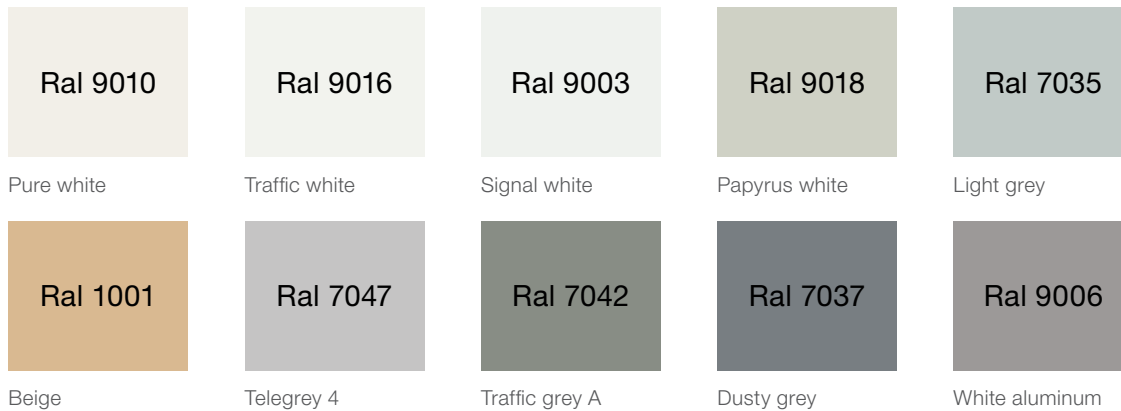


DOOR COLOR OPTIONS

External frame profiles



External door panels (fiberglass)



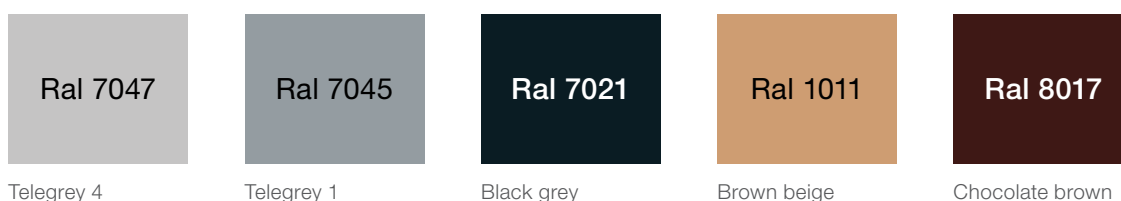
External door panels (aluminum)



Internal thermoformed main panels



Internal thermoformed accent panels



DOORS & SERVICE DOORS

SERVICE DOOR FRAMES

- Extruded aluminum frame construction
- Compatible with 22 mm to 42 mm thick panels
- One-point or two-point locking system
- Includes service door frame only (panel not included)
- Equipped with right- and left-hand aluminum hinges

Contact us for requests. Available options:

- Manual or electric locks
- Standard or low-profile hinges
- Internal / external frame panel slot ranges: 22 mm to 42 mm
- Fiberglass material

Internal options



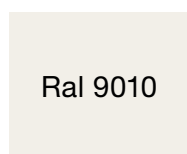
22 - 25 mm 26 - 32 mm 33 - 42 mm

External options



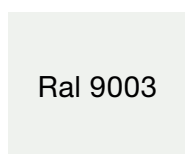
22 - 25 mm 26 - 32 mm 33 - 42 mm

Profile color options* (internal and external)



Ral 9010

Pure white



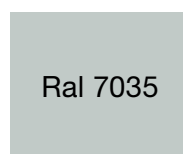
Ral 9003

Signal white



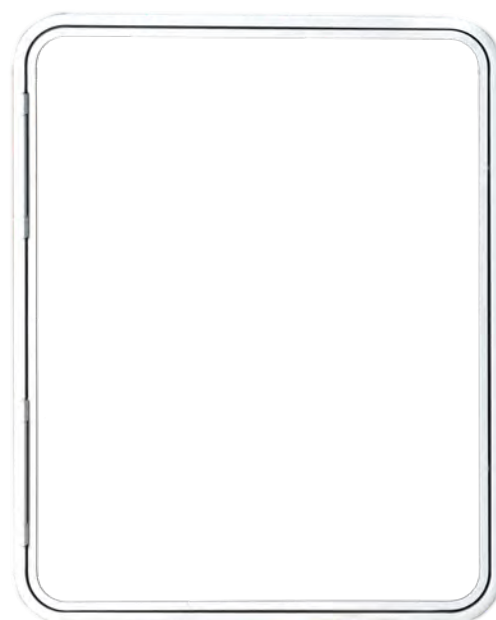
Ral 9001

Cream

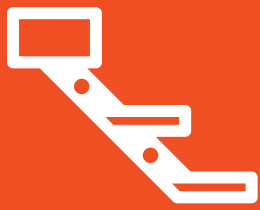


Ral 7035

Light grey



*Color swatches are representative only. Please call for exact color specifications. Other colors available upon request.



STEPS





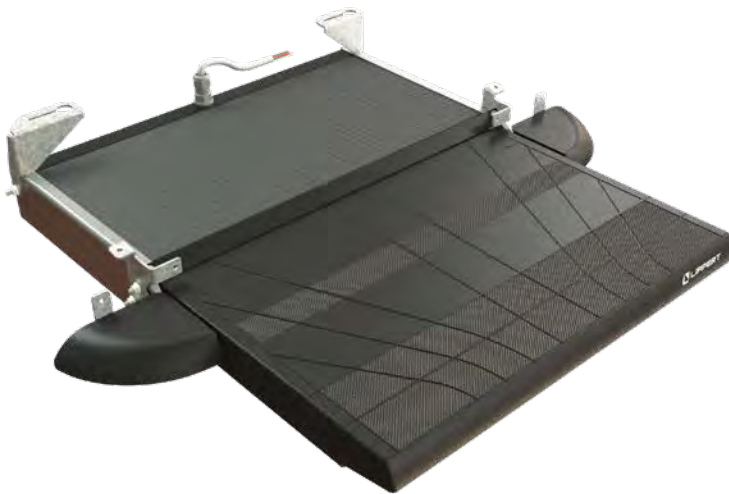
Our broad range of caravan and motorcaravan steps are available in steel, aluminum and hi-tech polymer with manual and power configuration options to suit every need. We offer single, double and triple entry steps for caravans and motorcaravans.

ALANERA

Slide-out step | Electric

- High-power 12V motor
- Automatic slide-out motion for a safe, comfortable, unobtrusive step
- Lightweight yet durable construction with high-tech, injection molded polymer
- Weatherproof and tested for the outdoors
- Integrated motor sensor for 'open step' warning
- Integrated thermal breaker in case of excessive strain
- Includes manual, quick-release emergency system
- Anti-slip finish for safe entry and exit
- Side wings help integrate the step with the vehicle and can support a person's weight
- Automotive-quality finish for lasting resilience to the elements
- Easy to clean – simply spray off with a hose
- Installation wiring cables included with electric models
- Installation kits available for: Fiat Ducato, Citroen Jumper, Peugeot Boxer and Ford Transit

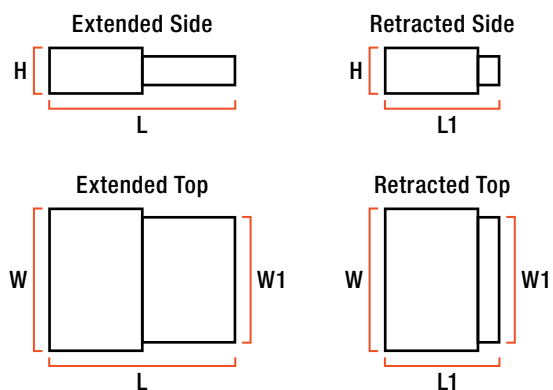
STEPS



Sleek, modern design to complement modern caravans and motorcaravans



Unique drain channels and anti-slip finish help keep the tread clean in any weather



Operation	↕ H	↕ W	↕ W1	↕ L	↕ L1	📦	📦	⚡
Electric	85 mm	562 mm	550 mm	692 mm	445 mm	5,9 kg	200 kg	2,5 A

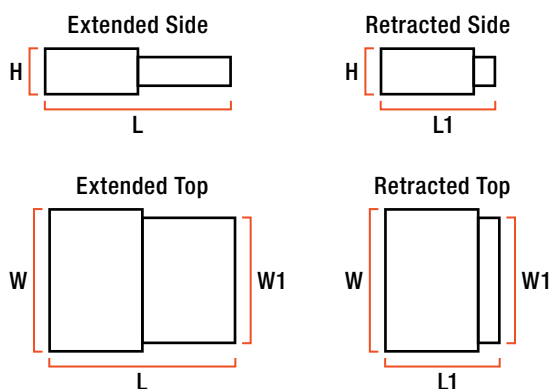


INNOLIGHT V6

NEW

Slide-out step | Electric

- High-power 12V motor
- 'C' aluminum profile guides reduce weight and increase efficiency during installation and performance
- Ergonomic footboard and side cover design
- Front covers available to integrate the step with the vehicle
- Lightweight yet durable mixed plastic, steel and aluminum construction
- Weatherproof and tested for the outdoors
- Integrated motor sensor for 'open step' warning
- Integrated thermal breaker in case of excessive strain
- Includes manual, quick-release emergency system
- Anti-slip tape for safe entry and exit
- Galvanized and epoxy finishes for strong corrosion protection
- Sturdy, one body anodized aluminum footboard for lasting corrosion resistance and noise reduction
- Installation wiring cables included with electric models
- Installation kits available for Fiat Ducato, Citroen Jumper, Peugeot Boxer, Ford Transit and Volkswagen Crafter



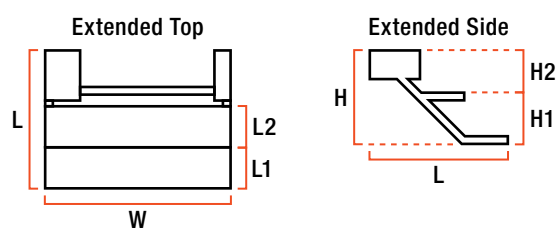
Operation	↕ H	↕ W	↕ W1	↕ L	↕ L1	📦	📦	⚡
Electric	78,5 mm	490 mm to 750 mm	440 mm to 700 mm	707 mm	472 mm	6,8 kg to 9,8 kg	200 kg	2,5 A
Manual	78,5 mm	490 mm to 750 mm	440 mm to 700 mm	707 mm	472 mm	6,2 kg to 7,8 kg	200 kg	--

J-SERIES

NEW

Fold-out step | Electric

- Two-step configuration for easy, ergonomic access
- High-power 12V motor
- J-series features increased step riser
- Anti-slip EPDM rubber for safe entry and exit
- Steel frame with lightweight aluminum board for stability in all conditions
- Sturdy, anodized aluminum footboard for lasting corrosion resistance
- Galvanized and painted finishes for strong corrosion protection
- Multifunction electronic control unit for total control of all step functions
- Waterproof connectors and sensors
- Includes manual, quick-release emergency system
- Motor protection system in case of excessive stress



Operation	↕ H	↕ H1	↕ H2	↕ W	↕ L	↕ L1	↕ L2	🛒	🛒	⚡
Electric	450 mm	127 mm	228 mm	610 mm	915 mm	203 mm	255 mm	58 kg	200 kg	5 A

L-SERIES

Fold-out step | Electric or manual

- Designed for RV applications with low-profile chassis
- High-power 12V motor
- Two-step configuration for easy, ergonomic access
- Anti-slip EPDM rubber for safe entry and exit
- Steel frame with lightweight aluminum board for stability in all conditions
- Sturdy, anodized aluminum footboard for lasting corrosion resistance
- Galvanized and painted finishes for strong corrosion protection
- Weatherproof and tested for the outdoors
- Sensor integrated in the motor cover for 'open step' warning
- Left or right motor option to accommodate either side of the RV
- Integrated thermal breaker in case of excessive strain
- Includes manual, quick-release emergency system
- Installation wiring cables included with electric models

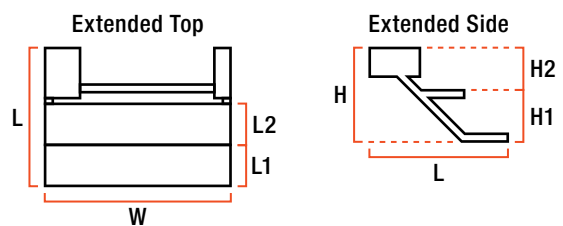
STEPS



Anti-slip rubber for safe entry and exit



Emergency manual release system



Operation	↕ H	↕ H1	↕ H2	↕ W	↕ L	↕ L1	↕ L2	📦	📦	⚡
Electric	362 mm	200 mm	162 mm	610 mm to 660 mm	762 mm	200 mm	200 mm	11 kg to 12 kg	200 kg	2,5 A
Manual	362 mm	200 mm	162 mm	610 mm	730 mm	200 mm	200 mm	9 kg	200 kg	--

R-SERIES

Fold-out step | Electric or manual

- Designed for RV applications with standard chassis heights
- High-power 12V motor
- Anti-slip EPDM rubber for safe entry and exit
- Steel frame with lightweight aluminum board for stability in all conditions
- Sturdy, anodized aluminum footboard for lasting corrosion resistance
- Galvanized and epoxy finishes for strong corrosion protection
- Weatherproof and tested for the outdoors
- Anti-shock clutch protects motor and gearbox while step is in motion
- Sensor integrated in the motor cover for 'open step' warning
- Left or right motor option to accommodate either side of the RV
- Integrated thermal breaker in case of excessive strain
- Includes patented, manual, quick-release emergency system
- Installation wiring cables included with electric models

STEPS



Electric model



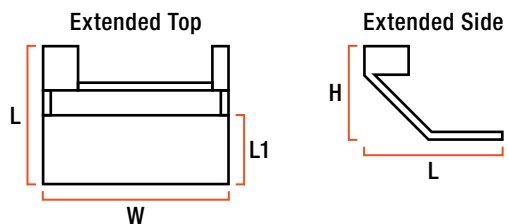
Manual model



Weatherproof and tested for the outdoors



Anti-slip rubber for safe entry and exit



Operation	↕ H	↕ W	↕ L	↕ L1	📦	📦	⚡
Electric	229 mm	482 mm to 717 mm	507 mm	200 mm	5,3 kg to 6,1 kg	200 kg	2,5 A
Manual	229 mm	350 mm to 522 mm	507 mm	200 mm	3,7 kg to 4,2 kg	200 kg	--

S-SERIES

Fold-out step | Electric

- Designed for RV applications with low-profile chassis
- High-power 12V motor
- Anti-shock clutch protects motor and gearbox while step is in motion
- Anti-slip EPDM rubber for safe entry and exit
- Steel frame with lightweight aluminum board for stability in all conditions
- Sturdy, anodized aluminum footboard for lasting corrosion resistance
- Galvanized and epoxy finishes for strong corrosion protection
- Weatherproof and tested for the outdoors
- Integrated motor sensor for 'open step' warning
- Left or right motor option to accommodate either side of the RV
- Integrated thermal breaker in case of excessive strain
- Includes patented, manual, quick-release emergency system
- Installation wiring cables included with electric models

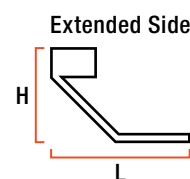
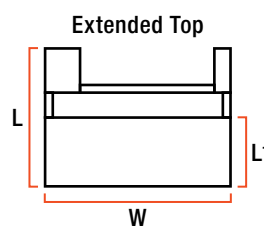
STEPS



Weatherproof IP33 protection, tested for the outdoors



Anti-slip rubber for safe entry and exit



Operation	↕ H	↕ W	↕ L	↕ L1	📦	📦	⚡
Electric	144 mm	435 mm to 498 mm	564 mm	200 mm	5,5 kg to 6,0 kg	200 kg	2,5 A

T-SERIES

Fold-out step | Electric or manual

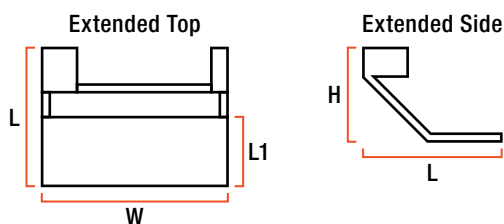
- Designed for caravan applications
- High-power 12V motor
- Anti-shock clutch protects motor and gearbox while step is in motion
- Anti-slip EPDM rubber for safe entry and exit
- Steel frame with lightweight aluminum board for stability in all conditions
- Sturdy, anodized aluminum footboard for lasting corrosion resistance
- Galvanized and epoxy finishes for strong corrosion protection
- Weatherproof and tested for the outdoors
- Sensor integrated in the motor cover for 'open step' warning
- Left or right motor option to accommodate either side of the RV
- Integrated thermal breaker in case of excessive strain
- Includes patented, manual, quick-release emergency system
- Installation wiring cables included with electric models



Weatherproof and tested for the outdoors



Anti-slip rubber for safe entry and exit



Operation	↕ H	↕ W	↕ L	↕ L1	📦	📦	🔄
Electric	210 mm	482 mm to 717 mm	486 mm	200 mm	5,5 kg to 6,2 kg	200 kg	2,5 A
Manual	210 mm	350 mm to 717 mm	486 mm	200 mm	3,6 kg to 4,7 kg	200 kg	--

U-SERIES & U2-SERIES

Fold-out step | Electric

- Three-step configuration for easy, ergonomic access
- High-power 12V motor
- Anti-slip EPDM rubber for safe entry and exit
- Sturdy, anodized aluminum footboard for lasting corrosion resistance
- Galvanized and painted finishes for strong corrosion protection
- Multifunction electronic control unit for total control of all step functions
- Automatically closes when engine starts
- Warning light for 'open step' sensor
- Left or right motor option to accommodate either side of the RV (U-Series only)
- Includes manual, quick-release emergency system
- Motor protection system in case of excessive stress

STEPS

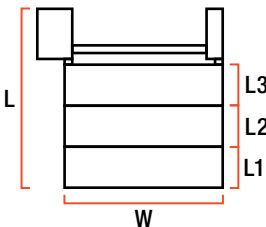


U-Series

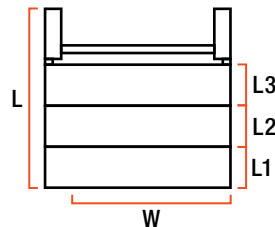


U2-Series

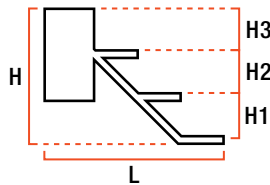
Extended Top (U-Series)



Extended Top (U2-Series)



Extended Side



Operation	↕ H	↕ H1	↕ H2	↕ H3	↕ W	↕ L	↕ L1	↕ L2	↕ L3	📦	📦	⚡
U-Series (motor on left or right side)												
Electric	627 mm	223 mm	222 mm	182 mm	550 mm to 645 mm	1.154 mm	200 mm	200 mm	200 mm	29 kg to 33 kg	200 kg	5 A
U2-Series												
Electric	656 mm	240 mm	240 mm	140 mm	640 mm	1.245 mm	200 mm	200 mm	200 mm	72,9 kg	200 kg	5 A

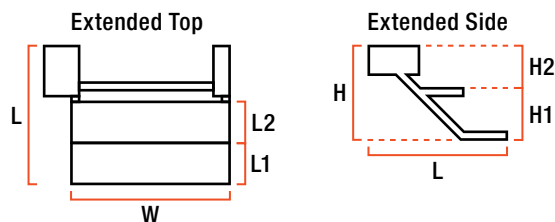
X-SERIES & Z-SERIES

Fold-out step | Electric

- Two-step configuration for easy, ergonomic access
- High-power 12V motor
- X-series features increased step riser
- Anti-slip EPDM rubber for safe entry and exit
- Steel frame with lightweight aluminum board for stability in all conditions
- Sturdy, anodized aluminum footboard for lasting corrosion resistance
- Galvanized and painted finishes for strong corrosion protection
- Multifunction electronic control unit for total control of all step functions
- Automatically closes when engine starts
- Warning light for 'open step' sensor
- Left or right motor option to accommodate either side of the RV
- Includes manual, quick-release emergency system
- Motor protection system in case of excessive stress



STEPS



Operation	↕ H	↕ H1	↕ H2	↕ W	↕ L	↕ L1	↕ L2	🛒	🛒	⚙️
X-Series										
Electric	374 mm	242 mm	132 mm	454 mm to 664 mm	795 mm	200 mm	200 mm	15,6 kg to 19,3 kg	200 kg	3 A
Z-Series										
Electric	394 mm	228 mm	166 mm	492 mm to 645 mm	782 mm	200 mm	200 mm	16,9 kg to 18,4 kg	200 kg	3 A
Electric	446 mm	275 mm	171 mm	492 mm to 550 mm	966 mm	200 mm	200 mm	19,5 kg to 20,2 kg	200 kg	3 A



STEP ACCESSORIES



Closy

- Enables automatic storing of electric steps when starting the vehicle's engine
- Prevents steps from opening while driving
- Compatible with Alanera and Innolight steps



Switch and Switch Cover

- Rocker switch to open or close electric fold-out steps
- Compatible with all Lippert electric steps
- Cover provides a clean, finished look on the switch (cover sold separately)



Elektra.Plus control units

- Reduced size and integrated light timer
- Compatible with Alanera, Innolight, R-series, S-series, T-series and L-series steps



Elektra control unit

- Available in bundle with Relè
- Compatible with all Lippert electric steps



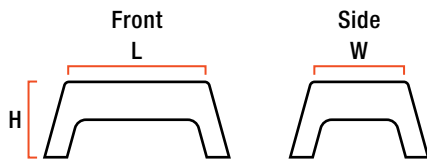
Relè

- Makes system completely automatic with the opening or closing of the door
- Compatible with all Lippert electric steps

SPOT

Heavy-duty step stool

- Commonly used in caravans
- Tough plastic construction
- Grated top surface keeps step clear of debris
- Colors customizable on request (based on quantity)

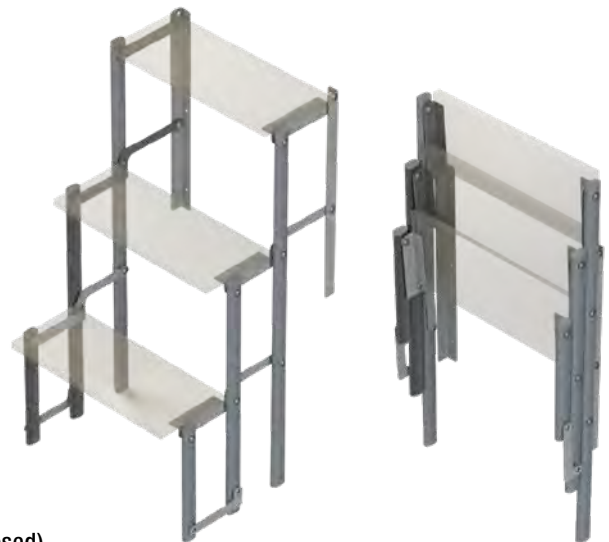


↕ H	↕ W	↕ L	📦	📦
220 mm to 250 mm	260 mm to 350 mm	410 mm to 470 mm	1,0 kg to 2,6 kg	150 kg

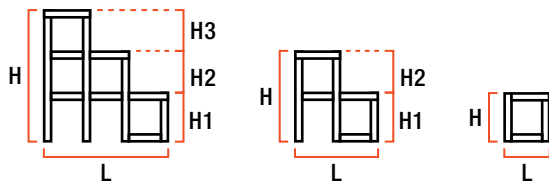
VIRGOLA

Foldable step

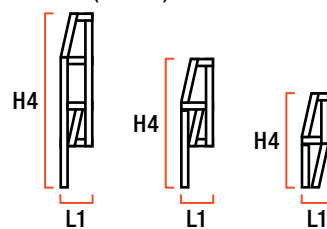
- Extra-wide, step-like rungs for maximum comfort
- Lightweight, aluminum legs and durable steel construction
- Folding design allows for compact storage
- Stepping surfaces are not included



Side (open)



Side (closed)



Steps	↕ H*	↕ H1*	↕ H2*	↕ H3*	↕ H4*	↕ L	↕ L1	📦	📦
1	215 mm	--	--	--	466 mm	214 mm	78 mm	3,4 kg	100 kg
2	500 mm	225 mm	257 mm	--	710 mm	464 mm	104 mm	4,7 kg	100 kg
3	900 mm	285 mm	297 mm	299 mm	1.075 mm	454 mm	138 mm	6,0 kg	100 kg
3 wide	900 mm	285 mm	297 mm	299 mm	1.115 mm	574 mm	146 mm	6,3 kg	100 kg

* Does not include step thickness. Step sold separately.



BLINDS & FLYSCREENS





Shut out the harsh sunlight and get a bug-free, peaceful ambiance inside your caravan or campervan with Lippert window blindsystems. We offer a complete selection of various sizes, styles and functional designs. Some are compatible with our window systems too.

SKIA

Van window blind

- Retractable, pleated blind to keep vehicle interior blacked-out for privacy while parked
- Fireproof fabric options are available upon request for added privacy
- See the table below for vehicle-specific configurations

Color options*

Ral 1013

Oyster white

Ral 7035

Light grey



Side window



Windshield

BLINDS & FLYSCREENS



Retractable, pleated blind to keep vehicle interior blacked-out while parked



Provides interior privacy as needed



PVC and aluminum handle for manual operation

Fits Van	Name	Location	Includes
Fiat DUCATO X250 / X290 / V8	SKIA FRONT	Windshield	Blind only
Fiat DUCATO X250 / X290 / V8	SKIA FRONT	Windshield	Blind with mirror compartment
Fiat DUCATO X290 / X250	SKIA FRONT	Windshield	Blind with mirror compartment and sensor
Fiat DUCATO X290 / X250	SKIA SIDE	Driver and passenger windows	Left- and right-side blinds
Fiat DUCATO V8	SKIA FRONT	Windshield	Blind with mirror compartment and sensor
Fiat DUCATO V8	SKIA SIDE	Driver and passenger windows	Left- and right-side blinds



SKIA PRIVACY

NEW

SKIA Accessory | Windshield blind

- Attaches to the bottom of SKIA windshield blind to block all light from entering the vehicle cabin



BLINDS & FLYSCREENS

SKIA SPACER

NEW

SKIA Accessory | Van sun visors

- Provides additional space for the sun visor to be utilized while SKIA is installed
- Installs under the existing sun visor pivot cover



Installs under the existing sun visor pivot cover



Provides additional space for the sun visor to be utilized while SKIA is installed



Left - Driver



Right - Passenger

Part #	Color	Location
153	Light grey (RAL 7035)	Driver / left
154	Light grey (RAL 7035)	Passenger / Right

*Color swatches are representative only. Please call for exact color specifications.



BLINDS & FLYSCREENS

VANSCREEN

Sliding door flyscreen

- Aluminum sliding flyscreen with flat, L-shaped guide provides a versatile solution to fit a variety of layouts
- Clutched sliding system allows the screen to be opened to any position
- Keeps out flies, mosquitoes and debris while allowing fresh airflow
- Vanscreen should be left open while van door is closed to avoid obstruction
- Works independently of the sliding door
- Right-hand door option is available upon request
- Fireproof fabric options are available upon request for added privacy



Open



Closed



Keeps out insects and debris while allowing fresh airflow



Clutched sliding system allows the screen to be opened to any position

Color option*

Ral 9005

Jet black

Fits Van	Location	Color	↕ H	↕ W
Fiat DUCATO X250 / X290 / V8	Left-hand door only	Jet black (RAL 9005)	1.708 mm	1.295 mm

*Color swatches are representative only. Please call for exact color specifications.

AMALTHEA

NEW

Motorcaravan door flyscreen

- Aluminum sliding flyscreen with walkable, U-shaped guide provides a versatile solution for motorcaravan doors
- Clutched sliding system allows the screen to be opened to any position
- Keeps out flies, mosquitoes and debris while allowing fresh airflow
- Maximum 64 mm of distance from the wall
- Fireproof fabric options are available upon request for added privacy

Color option*

Ral 9005

Jet black

↔ Cutout Dimension Ranges

↑↗ H	↑↘ L
1.490 mm to 2.000 mm	565 mm to 965 mm



Open

ELARA

Motorcaravan door flyscreen

- PVC sliding flyscreen with walkable, U-shaped guide provides a versatile solution for motorcaravan doors
- Clutched sliding system allows the screen to be opened to any position
- Keeps out flies, mosquitoes and debris while allowing fresh airflow
- Adaptable at different distances from the van wall
- Fireproof fabric options are available upon request for added privacy

Color options*

Ral 9010

Pure white

Ral 1013

Oyster white

Ral 9005

Jet black

↔ Cutout Dimension Ranges

↑↗ H	↑↘ L
1.490 mm to 2.000 mm	565 mm to 965 mm



Open



Closed

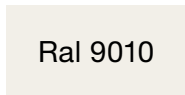
HYDRA

Skylight blind

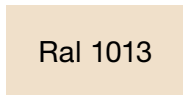
- Manual sliding system with spring-assist for easier operation
- Clutched sliding mechanism allows for easy opening to any position
- Strong, lightweight aluminum frame construction
- Retractable, pleated blind to help filter light and provide privacy
- Mesh screen keeps out flies, mosquitoes and debris while allowing fresh airflow
- Integrated aluminum handle for easy operation
- White inner fabric with silver-colored outer side
- Fireproof fabric options are available upon request for added privacy



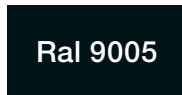
Color options*



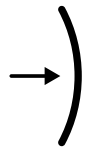
Pure white



Oyster white



Jet black



Profile curve radius

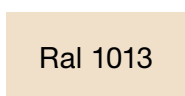
↔ Blind Dimension Ranges		↔ Cutout Dimension Ranges		
↕ Height	↕ Width	↕ Height	↕ Width	Profile Curvature Radius
380 mm to 1.330 mm	340 mm to 2.090 mm	250 mm to 1.200 mm	250 mm to 2.000 mm	350 mm+

TWINS

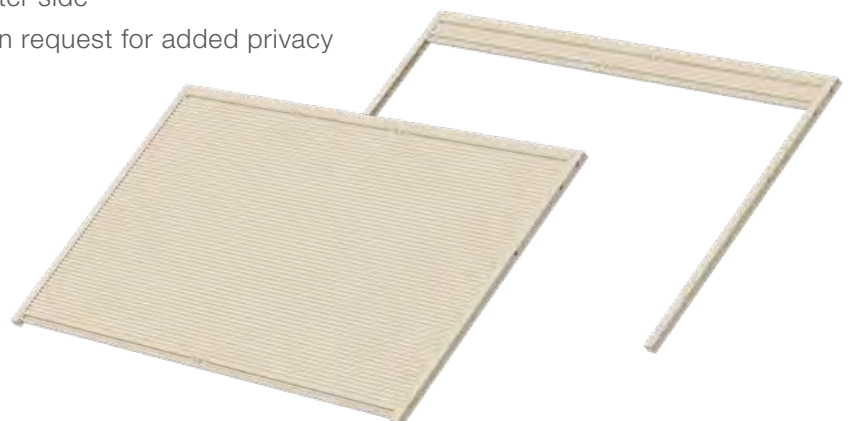
Windshield blind

- Manual sliding system with spring-assist for easier operation
- Clutched sliding mechanism allows for easy opening to any position
- Strong, lightweight aluminum frame construction
- Retractable, honeycomb pleated blind to keep vehicle interior blacked-out for privacy while parked
- Locking clip fixes the fabric in the desired position
- Integrated aluminum and plastic handle for easy operation
- White inner fabric with cream-colored outer side
- Fireproof fabric options are available upon request for added privacy

Color option*



Oyster white



↕ H	↕ W
1.055 to 1.170 mm	2.042 to 2.160 mm

*Color swatches are representative only. Please call for exact color specifications.



WINDOW COMPATIBILITY

For blinds and flyscreens

See page 20 for more information about windows

If you are looking for a complete window system, our compatibility chart will help you pair our blinds and flyscreens with the corresponding window.



Blinds & Flyscreens		Hinged Window Systems					Aluminum Framed Window Systems			
Name	Material	Aero	Curvo	Mezzo	Primo	Transito	Poly. Aero	Poly. Curved	Poly. Eco	Poly. Slide
Wall Thickness Comparison										
Mars	Aluminum	≥ 25 mm	≥ 43 mm	≥ 25 mm	≥ 25 mm	TBD*	≥ 43 mm	≥ 43 mm	≥ 43 mm	≥ 43 mm
Pluto	Aluminum	≥ 25 mm	≥ 25 mm	≥ 25 mm	≥ 25 mm	TBD*	≥ 25 mm	≥ 25 mm	≥ 25 mm	≥ 25 mm
Sirius	PVC	≥ 25 mm	N/A	≥ 25 mm	≥ 25 mm	TBD*	≥ 43 mm	N/A	≥ 43 mm	≥ 43 mm
Vega	PVC	≥ 25 mm	N/A	≥ 25 mm	≥ 25 mm	TBD*	≥ 28 mm	N/A	≥ 28 mm	≥ 28 mm

* Wall thickness may vary according to customer installation



MARS

Aluminum blind and flyscreen

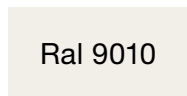
- Manual sliding system provides a slim-profile solution with spring-assist for easier operation
- Clutched sliding mechanism allows for easy opening to any position
- Lightweight aluminum frame with retractable blind to help filter light and provide privacy
- Mesh screen keeps out flies, mosquitoes and debris while allowing fresh airflow
- Integrated aluminum handle for easy operation
- Heavy-duty ABS locking clip for improved security
- Profile curvature is customizable for curved-wall vans
- Fireproof fabric options are available upon request for added privacy
- For window compatibility, see the comparison chart on page 70



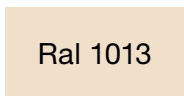
Curved

Flat

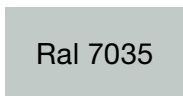
Color options*



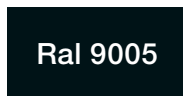
Pure white



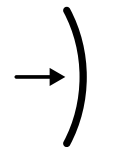
Oyster white



Light grey



Jet black



Profile curve radius

↔ Blind Dimension Ranges		↔ Cutout Dimension Ranges		
↕ H	↕ W	↕ H	↕ W	Profile Curvature Radius
380 mm to 1.330 mm	340 mm to 2.090 mm	250 mm to 1.200 mm	250 mm to 2.000 mm	350 mm+

*Color swatches are representative only. Please call for exact color specifications.



PLUTO

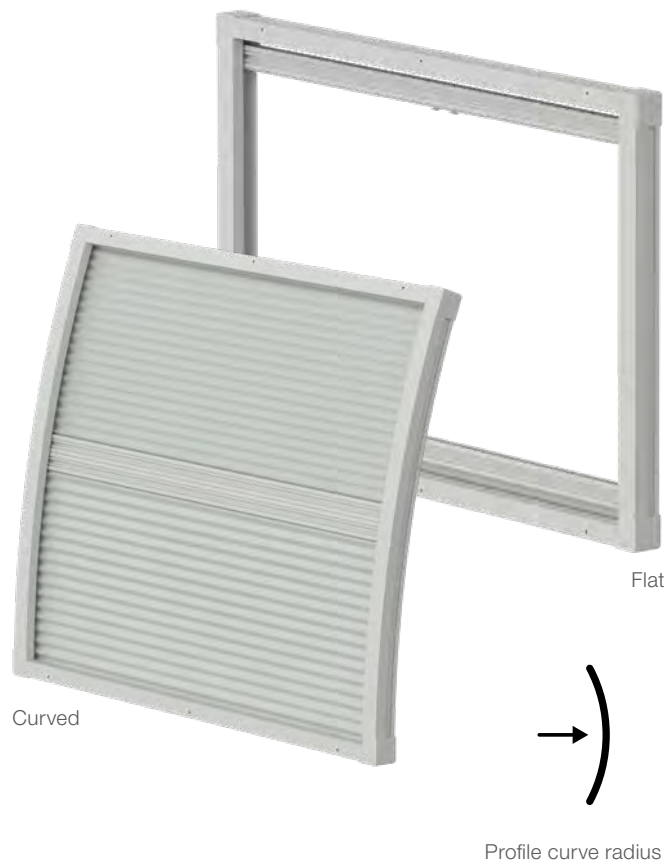
Aluminum blind and flyscreen

- Manual sliding system provides a bold-profile solution with spring-assist for easier operation
- Clutched sliding mechanism allows for easy opening to any position
- Lightweight aluminum frame with retractable blind to help filter light and provide privacy
- Mesh screen keeps out flies, mosquitoes and debris while allowing fresh airflow
- Integrated aluminum handle for easy operation
- Heavy-duty ABS locking clip for improved security
- Profile curvature is customizable for curved-wall vans
- Fireproof fabric options are available upon request for added privacy
- For window compatibility, see the comparison chart on page 70

Color option*

Ral 7035

Light grey



↔ Blind Dimension Ranges		↔ Cutout Dimension Ranges		
↕ H	↕ W	↕ H	↕ W	Profile Curvature Radius
380 mm to 1.330 mm	340 mm to 2.090 mm	250 mm to 1.200 mm	250 mm to 2.000 mm	1.750 mm+



SIRIUS

PVC blind and flyscreen

- Clutched sliding mechanism allows for easy opening to any position
- Constructed with a lightweight, durable PVC frame and polyester fabric blinds
- Retractable, pleated blind to help filter light and provide privacy
- Mesh screen keeps out flies, mosquitoes and debris while allowing fresh airflow
- Integrated aluminum handle for easy operation
- Slim-profile solution compatible with all vehicles that have flat walls
- Fireproof fabric options are available upon request for added privacy
- For window compatibility, see the comparison chart on page 70



Color options*

Ral 9010	Ral 1013	Ral 9005
Pure white	Oyster white	Jet black

↔ Blind Dimension Ranges		↔ Cutout Dimension Ranges	
↕ H	↕ W	↕ H	↕ W
320 mm to 970 mm	320 mm to 1.370 mm	250 mm to 900 mm	250 mm to 1.300 mm

*Color swatches are representative only. Please call for exact color specifications.



VEGA

PVC blind and flyscreen

- Manual sliding system provides a bold-profile solution with spring-assist for easier operation
- Clutched sliding mechanism allows for easy opening to any position
- Constructed with a lightweight, durable PVC frame and polyester fabric blinds
- Retractable, pleated blind to help filter light and provide privacy
- Mesh screen keeps out flies, mosquitoes and debris while allowing fresh airflow
- Integrated aluminum handle for easy operation
- Compatible with all vehicles that have flat walls
- Fireproof fabric options are available upon request for added privacy
- For window compatibility, see the comparison chart on page 70



Color option*

Ral 1013

Oyster white

↔ Blind Dimension Ranges		↔ Cutout Dimension Ranges	
↕ H	↕ W	↕ H	↕ W
309 mm to 959 mm	309 mm to 1.359 mm	250 mm to 900 mm	250 mm to 1.300 mm

*Color swatches are representative only. Please call for exact color specifications.





BEDS & LADDERS



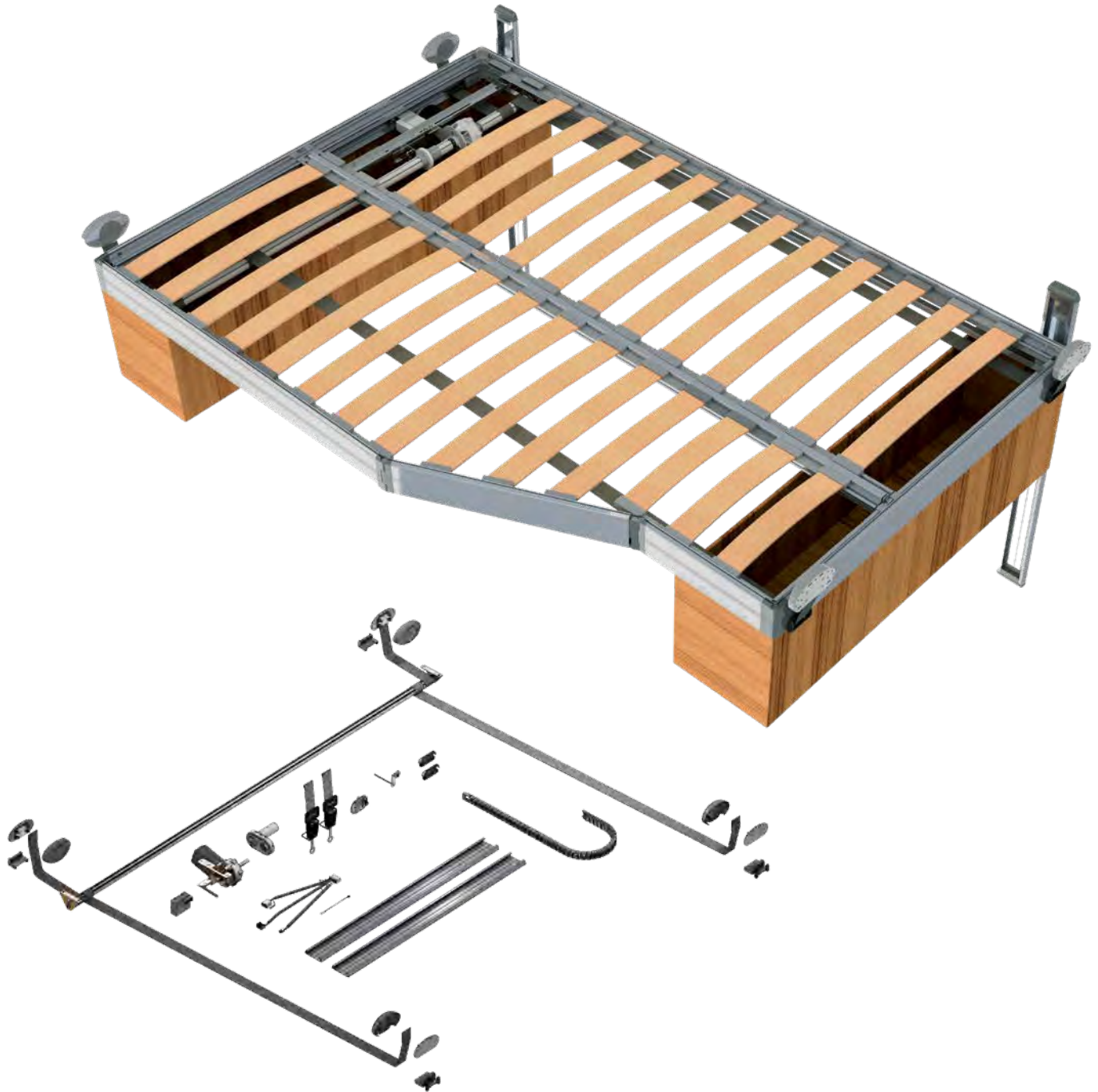


Lippert bed frames and lifts are engineered for comfort and adaptability, ensuring that each vehicle is truly a home away from home. We offer tilt and lift options, electric, convertible, extendable, foldable and much more. Browse our ladders and other accessories to maximize bed functionality.

MODULAR SMART BED

Electric bed lifting system

- Engineered to lift and / or lower in the rear garage, above the dinette or driver's seat
- High-performing gear motor with optional integrated encoder
- Device fits completely under the bed frame and offers maximum fitting flexibility
- Complete bed lifting system is ready for installation (comes with or without the bed frame)
- Includes manual emergency system
- Heavy-duty steel and aluminum construction
- Available with an advanced control system to manage different positions
- Technical specifications may change depending on customer request
- Available with wall-mounted supports



BEDS & LADDERS

Stroke Range	Static Load	Lift Load	↕ L	↕ W	Operation Speed	Amps	Volts	📦
300 to 1.500 mm	400 kg	60 kg	1.900 mm	650 mm	~60 mm/sec	12 A to 20 A	12V DC	8,6 kg

* Variable according to the requested configuration

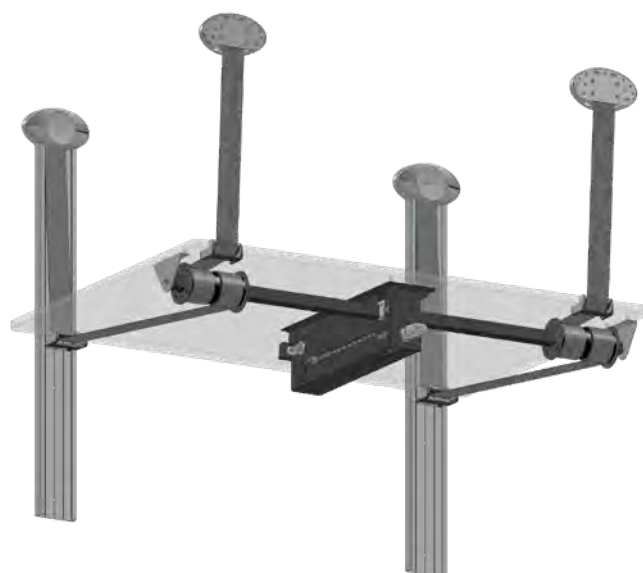




EVO

Bed lifting system

- Engineered to lift and / or lower in the rear garage, above the dinette or driver's seat
- Movable with a manual crank
- Can be converted to electric by adding a motor
- Heavy-duty steel and aluminum construction
- Includes mounting brackets and lifting mechanism (slats and bed frame sold separately)
- Lifting system fits completely under the bed frame and offers maximum fitting flexibility
- Complete bed lifting system is ready for installation (comes with or without the bed frame)
- Technical specifications may change depending on customer request
- Available with wall fixing



Allows lifting and lowering of the bed to fully optimize interior space

Operation	Stroke	Lift Load	Static Load	🛒*
Manual	400 mm	60 kg	400 kg	13 kg
Electric	400 mm	60 kg	400 kg	13 kg

* Variable according to the requested configuration

BERLINO

Bed lifting system

- Engineered to lift and / or lower in the rear garage or above the dinette
- High-performing gear motor with optional integrated encoder
- Lifting system fits completely under the bed frame and offers maximum fitting flexibility
- Heavy-duty yet lightweight aluminum frame with wooden slats
- Available with advanced control system to manage different positions
- Customizable bed shape and dimensions
- Includes bed frame and lifting system
- Available with wall fixing



Stroke Range	Static Load	Lift Load	↕ L	↕ W	Operation Speed	Amps	Volts	📦
300 to 1.500 mm	400 kg	60 kg	1.900 mm	650 mm	60 to 100 mm/sec	9 A to 20 A	12V DC	32 kg

DENVER

Bed lifting system with extending frame

- Engineered to lift and / or lower in the rear garage or above the dinette
- High-performing gear motor with optional integrated encoder
- Lifting system fits completely under the bed frame and offers maximum fitting flexibility
- Heavy-duty yet lightweight aluminum frame with wooden slats
- Available with advanced control system to manage different positions
- Customizable bed shape and dimensions
- Includes bed frame and lifting system
- Extendable frame accommodates a larger mattress while ensuring compact storage (extended section must be supported)
- Available with wall fixing



Stroke Range	Static Load	Lift Load	↕ L	↕ W	Operation Speed	Amps	Volts	📦
300 to 1.500 mm	300 kg	60 kg	1.900 mm	1.000 to 1.400mm	60 to 100 mm/sec	9 A to 20 A	12V DC	32 kg

RIO

Bed lifting system with extending frame

- Engineered to lift and / or lower in the rear garage or above the dinette
- High-performing gear motor with optional integrated encoder
- Lifting system fits completely under the bed frame and offers maximum fitting flexibility
- Heavy-duty yet lightweight aluminum frame with wooden slats
- Available with advanced control system to manage different positions
- Customizable bed shape and dimensions
- Includes bed frame and lifting system
- Extendable frame accommodates a larger mattress while ensuring compact storage (extended section must be supported)
- Available with wall fixing



Stroke Range	Static Load	Lift Load	↕ L	↕ W	Operation Speed	Amps	Volts	📦
300 to 1.500 mm	300 kg	60 kg	1.500 to 1.900mm	1.300 mm	60 to 100 mm/sec	9 A to 20 A	12V DC	32 kg

SLIM BED

Low-profile bed lifting system

- Engineered to lift and / or lower in the rear garage, above the dinette or driver's seat
- High-performing gear motor with optional integrated encoder
- Lifting system fits completely under the bed frame and offers maximum fitting flexibility
- Heavy-duty yet lightweight aluminum frame with wooden slats
- Available with advanced control system to manage different positions
- Customizable bed shape and dimensions
- Includes bed frame and lifting system
- Available with wall fixing



Stroke Range	Static Load	Lift Load	↕ L	↕ W	Operation Speed	Amps	Volts	📦
300 to 1.500 mm	350 kg	60 kg	1.900 mm	1.300 mm	60 to 100 mm/sec	9 A to 20 A	12V DC	20 kg

TOSCANA

Bed lifting system

- Engineered to lift and / or lower in the rear garage, above the dinette or driver's seat
- High-performing gear motor with optional integrated encoder
- Lifting system fits completely under the bed frame and offers maximum fitting flexibility
- Heavy-duty yet lightweight aluminum frame with wooden slats
- Available with advanced control system to manage different positions
- Customizable bed shape and dimensions
- Includes bed frame and lifting system
- Available with electric motor or manual crank option
- Available with wall fixing



Stroke Range	Static Load	Lift Load	↕ L	↕ W	Operation Speed	Amps	Volts	🛒
300 to 1.500 mm	350 kg	60 kg	2.100 mm	1.300 mm	60 to 100 mm/sec	9 A to 20 A	12V DC	23 kg

MANILA

Manual bed lifting system

- Engineered to lift and / or lower in the rear garage, above the dinette or driver's seat
- High-performing, zero-gravity gas struts
- Lifting system fits completely under the bed frame and offers maximum fitting flexibility
- Heavy-duty, lightweight aluminum frame with wooden slats
- Customizable bed shape and dimensions
- Includes bed frame and lifting system
- Available with wall fixing



Stroke	Static Load	Lift Load	↕ L	↕ W	🛒
950 mm	250 kg	45 kg	1.500 to 1.900mm	1.300 mm	25 kg

MADRID

Bedspring

- Bed base with rear hinges and gas springs to facilitate access to the storage underneath
- Designed for motorhomes, caravans and tent trailers
- Heavy-duty yet lightweight aluminum frame with wooden slats
- Customizable bed shape and dimensions
- Includes bed frame and gas springs



Static Load	↕ L	↕ W	🛒
200 kg	1.900mm	1.320 mm	19 kg

SEVILLA

Bed lifting system with folding frame

- Engineered to lift and / or lower in the rear garage, above the dinette or driver's seat
- Hinge for the rotation of a bed portion for installation above the driver
- High-performing gear motor with optional integrated encoder
- Lifting system fits completely under the bed frame and offers maximum fitting flexibility
- Heavy-duty yet lightweight aluminum frame with wooden slats
- Available with advanced control system to manage different positions
- Customizable bed shape and dimensions
- Includes bed frame and lifting system
- Extendable frame accommodates a larger mattress while ensuring compact storage (extended section must be supported)
- Available with wall fixing



Static Load	Lift Load	↕ L	↕ W	Operation Speed	Amps	Volts	🛒
300 kg	60 kg	1.800 to 1.900 mm	1.350 mm	60 to 100 mm/sec	9 A to 20 A	12V DC	35 kg

DETROIT

Bed lifting system

- Designed for easy installation without wall guides and belts
- Customizable vertical stroke, straight or swing movement
- Customizable bed shape and dimensions
- Easy installation above the driver
- Heavy-duty yet lightweight aluminum frame with wooden slats
- Lateral steel arms assisted by gas springs for smooth and stable movement
- Lifting and lowering movements can be customized to fit the shape of the vehicle
- Locking system for high bed position
- Onboard frontal handle to lock and unlock the bed positions



Stroke Range	Static Load	Lift Load	↕ L	↕ W	🛒
300 to 700 mm	250 kg	25 kg	1.950 mm	1.500 mm	35 kg

MIAMI

Bed lifting system

- Designed for easy installation without wall guides and belts
- Easy installation above the driver
- Customizable vertical stroke, straight or swing movement
- Customizable bed shape and dimensions
- Lifting and lowering movements can be customized to fit the shape of the vehicle
- Heavy-duty yet lightweight aluminum frame with wooden slats
- Lateral steel arms assisted by gas springs for smooth and stable movement
- Locking system for high bed position
- Onboard frontal handle to lock and unlock the bed positions



Stroke Range	Static Load	Lift Load	↕ L	↕ W	🛒
300 to 700 mm	250 kg	25 kg	1.950 mm	1.500 mm	30 kg



CHICAGO

Extendable folding bed base

- Manually folding, sliding structure
- Heavy-duty yet lightweight aluminum frame with wooden slats
- Gas spring assisted for easy fold-up into the side wall
- Adjustable feet to get promote stability
- Customizable bed shape and dimensions



Stroke	Static Load	↕ L	↔ W	🛒
320 mm	80 kg	1.400 mm	730 to 1.050 mm	18 kg

BEDS & LADDERS

FIRENZE

Sliding bed base

- Reclinable back for comfortable sleeping, reading, watching TV and relaxation
- Sliding design reduces overall dimensions while bed is not in use
- Available in manual, multi-position synchronized-assisted or electric option
- Customizable bed shape and dimensions
- Heavy-duty yet lightweight aluminum frame with wooden slats
- Available with standard or comfort wooden slats



Sliding Stroke	Static Load	↕ L	↔ W	🛒
200 mm	250 kg	1.900 mm	1.350 mm	22 kg

FIRENZE EVO

Sliding bed base

- Reclinable back for comfortable sleeping, reading, watching TV and relaxation
- Bed base with rear hinges and gas springs to facilitate access to the storage underneath
- Sliding design reduces overall dimensions while bed is not in use
- Available in manual, multi-position synchronized-assisted or electric option
- Customizable bed shape and dimensions
- Heavy-duty yet lightweight aluminum frame with wooden slats



Sliding Stroke	Static Load	↕ L	↕ W	🛒
200 mm	250 kg	1.900 mm	1.350 mm	24 kg

LISBONA

Bed base

- Engineered to lift and / or lower in the rear garage
- High-performing gear motor with optional integrated encoder (electric version)
- Available with wall fixing and aluminum legs
- Lifting system fits completely under the bed frame and offers maximum fitting flexibility
- Available with advanced control system to manage different positions (electric version)
- Bed base with hinges and gas springs (optional) to facilitate access to the storage underneath
- Customizable bed shape and dimensions
- Available with electric motor lifting system or manual crank option
- Heavy-duty yet lightweight aluminum frame with wooden slats



Stroke Range	Static Load	Lift Load	↕ L	↕ W	🛒
300 to 600 mm	200 kg	60 kg	1.900 mm	1.350 mm	46 kg

LISBONA EVO

Bed base

- Engineered to lift and / or lower in the rear garage
- High-performing gear motor with optional integrated encoder (electric version)
- Available with wall fixing and aluminum legs
- Lifting system fits completely under the bed frame and offers maximum fitting flexibility
- Customizable bed shape and dimensions
- Available with advanced control system to manage different positions (electric version)
- Reclinable back for comfortable sleeping, reading, watching TV and relaxation
- Bed base with hinges and gas springs (optional) to facilitate access to the storage underneath
- Available with electric motor lifting system or manual crank option
- Heavy-duty yet lightweight aluminum frame with wooden slats



Stroke Range	Static Load	Lift Load	↕ L	↕ W	🛒
300 to 600 mm	200 kg	60 kg	1.900 mm	1.350 mm	40 kg

MOSCA

Fold-out wall-mounted bed base

- Heavy-duty cantilever structure accommodates a child or adult
- Manual movement assisted with gas struts for easy folding operation
- Suitable for recessed or flush installation
- Customizable bed shape and dimensions
- 120 mm maximum mattress height
- Constructed with an aluminum frame and wooden slats



Static Load	↕ L	↕ W	🛒
100 kg	1.900 mm	700 mm	20 kg

NANTES

Bed frame

- Designed for ship cruisers
- Strong and lightweight aluminum frame and slats
- Heavy-duty steel legs
- Unique cathaphoresis treatment provides enhanced durability against salt and corrosion
- Specific plastic slat holder eliminates areas where dirt can collect, promoting cleanliness
- Customizable bed shape and dimensions



Static Load	↕ L	↕ W	🛒
300 kg	2.050 mm	950 mm	16 kg

HELSINKI

Dinette bench seat with convertible bed

- Dinette bench seat folds out, converting into a bed as needed
- Fold-up storage allows for full optimization of interior space
- Spring assist promotes easy folding operation
- Customizable bed shape and dimensions
- Heavy-duty yet lightweight aluminum frame with wooden slats



Static Load	↕ L	↕ W	🛒
150 kg	500 to 1.350 mm	1.200 mm	24 kg

BARCELONA

Sliding bed base

- Manually sliding slats ensure easy access to storage area underneath
- Heavy-duty yet lightweight aluminum frame with wooden slats
- Customizable bed shape and dimensions

Static Load	↕ L	↕ W	🛒
120 kg	1.700 mm	600 mm	3 kg



NICE

Bed base

- Heavy-duty yet lightweight aluminum frame with wooden slats
- Available in single or double-bed configurations
- Customizable bed shape and dimensions

Static Load	↕ L	↕ W	🛒
100 kg	1.900 mm	650 mm	7 kg



OSLO

Extending bed base

- Extendable frame to convert from single to double-bed configuration
- Heavy-duty yet lightweight aluminum frame with wooden slats
- Customizable bed shape and dimensions

Static Load	↕ L	↕ W	↕ H	🛒
200 kg	1.950 mm	730 to 1.300 mm	35 mm	11 kg



OSLO PLUS

Extending bed base

- Larger frame profile
- Extendable frame to convert from single to double-bed configuration
- Heavy-duty yet lightweight aluminum frame with wooden slats
- Customizable bed shape and dimensions

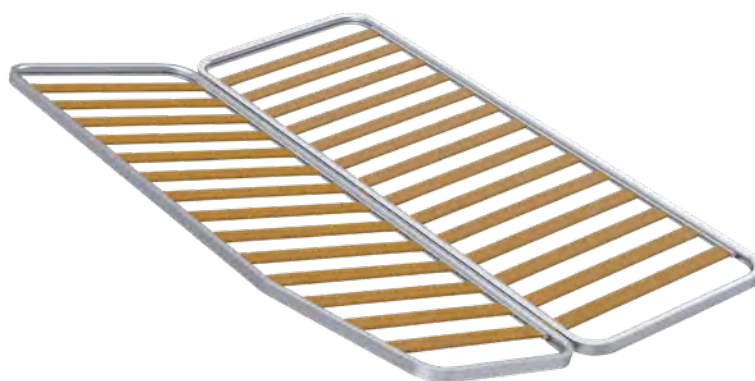


Static Load	↕ L	↕ W	↕ H	🛒
200 kg	1.950 mm	730 to 1.300 mm	50 mm	15 kg

VIENNA

Folding bed base

- Folding frame to convert from double to single-bed configuration
- Heavy-duty yet lightweight aluminum frame with wooden slats
- Customizable bed shape and dimensions

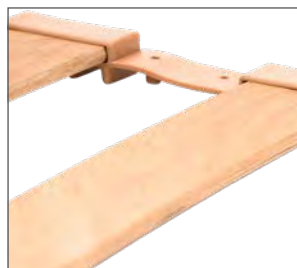


Static Load	↕ L	↕ W	🛒
100 kg	1.900 mm	650 to 1.300 mm	13 kg

LONDRA

Roll-up bed base

- Flexible PVC side rails roll up for compact storage
- Wood slats for strength, comfort and a stylish accent
- Available in single or double-bed configurations
- Includes side rail assemblies and slats



Wood slats for strength, comfort and a stylish accent



Flexible PVC side rails roll up for compact storage

Static Load	↕ L	↕ W	🛒
120 kg	1.950 mm	650 mm	5 kg

STLA FLEX

Bed accessory suspension

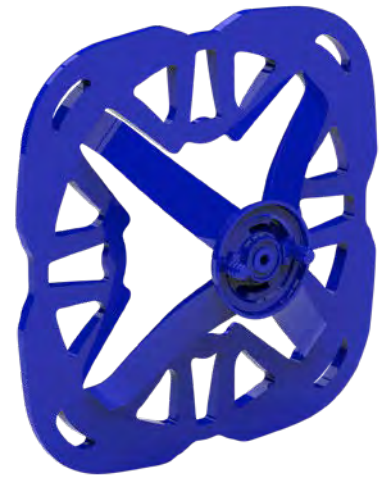
- Suspends bed frame to improve sleep comfort
- Durable plastic construction with memory shape for maximum comfort
- Can be mounted on all beds with staves
- 36 pieces required for single bed and 72 for double bed



Suspends bed frame to improve comfort



Can be mounted on all beds with staves



📦	↕ H	↕ L	↕ W
Plastic	40 mm	175 mm	175 mm

VOLO

Bed accessory safety net

- Attaches to the bedside to prevent nighttime falling
- For children over six years old
- Lightweight yet durable aluminum rail construction
- Compatible with virtually all lifting beds



Double-coated PVC and 100% polyester mesh



Comes with all required installation hardware and straps



↕ L	↕ H	📦	🔧
1.500 mm to 1.800 mm	350 mm to 580 mm	Aluminum	Nylon / PVC

LIFTER

Bed control panel

- Switch with a control panel to manage the bed lifting movement
- Can be integrated into the bed frame on specific bed profiles
- Available with or without key



Lifter 1



Lifter 2



Lifter 3



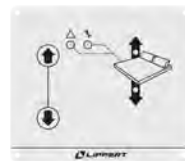
Lifter switch control panels can be integrated into the bed frame

Name	Description
Lifter 1	Module with key
Lifter 2	Module without key
Lifter 3	Module with key

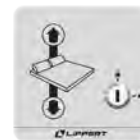
ELEKTRA SMART

Bed control panel

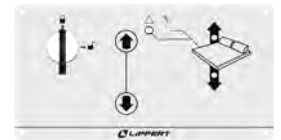
- Control box with control panel to manage the bed lifting movement (Elektra 1 & 2)
- Switch with a control panel to manage the bed lifting movement (Elektra 3)
- Can be installed separately from the bed frame
- Available with or without key



Elektra Smart 1



Elektra Smart 2



Elektra Smart 3

Name	Description
Elektra Smart 1	Module without key
Elektra Smart 2	Module with key
Elektra Smart 3	Module with key

BACKREST

Bed accessory

- Available in manual or electric
- Completely autonomous and integrable with the bed frame



LIFTY

Bed handle accessory

- Allows manual movement of the bed



TITTA

Bunk ladder

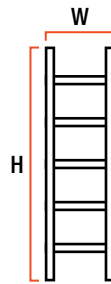
- Aluminum bunk ladder with hooks
- T-Feet 15 maximize friction to avoid slipping and ensure stability
- T-Hook 6 provides a safe, robust connection to the bed frame
- Durable and lightweight aluminum construction
- Includes T-Hook Base hook supports



Rounded rungs for comfortable grip and footing



Feet maximize friction to avoid slipping and ensure stability



H	W		
1.300 mm to 1.700 mm	290 mm	1,60 kg to 2,00 kg	100 kg

TITTA LARGE-STEP

Bunk ladder

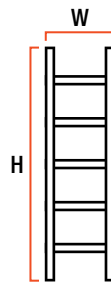
- Rounded rungs for comfortable climbing
- T-Feet 15 maximize friction to avoid slipping and ensure stability
- T-Hook 6 provides a safe, robust connection to the bed frame
- Durable and lightweight aluminum construction
- Includes T-Hook Base hook supports



Extra-wide, step-like rungs for maximum comfort



Hooks provide a safe, robust connection to the bed frame



H	W		
1.300 mm to 1.700 mm	290 mm	1,97 kg to 2,75 kg	100 kg



TITTA STRONG

Bunk ladder

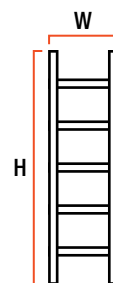
- T-Hook 2 provides a safe connection to the bed frame
- T-Feet HS and HR maximize friction to avoid slipping and ensure stability
- Durable and lightweight reinforced aluminum construction
- Includes T-Hook Base hook supports



Rounded rungs for comfortable grip and footing



Feet maximize friction to avoid slipping and ensure stability



H	W		
1.300 mm to 1.900 mm	290 mm	1,60 kg to 2,40 kg	150 kg

TITTA STRONG FOLDING

Bunk ladder

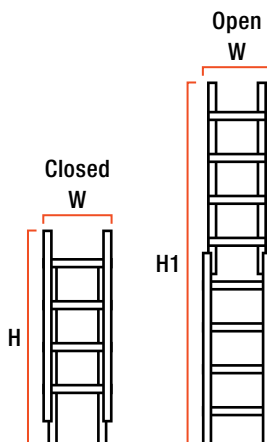
- Folding mechanism with heavy-duty hinges for compact storage
- T-Hook 2 provides a safe connection to the bed frame
- T-Feet HS and HR maximize friction to avoid slipping and ensure stability
- Durable and lightweight reinforced aluminum construction
- Includes T-Hook Base hook supports



Rounded rungs for comfortable grip and footing



Feet maximize friction to avoid slipping and ensure stability



H	H1	W		
890 to 1.250 mm	1.500 to 2.100 mm	290 mm	2,40 kg to 3,40 kg	150 kg

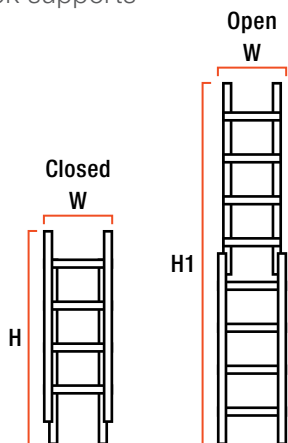
TITTA FOLDING 2

Bunk ladder

- Folding mechanism with heavy-duty hinges for compact storage
- T-Feet 15 maximize friction to avoid slipping and ensure stability
- T-Hook 6 provides a safe, robust connection to the bed frame
- Durable and lightweight aluminum construction
- Includes T-Hook Base hook supports



Rounded rungs for comfortable grip and footing

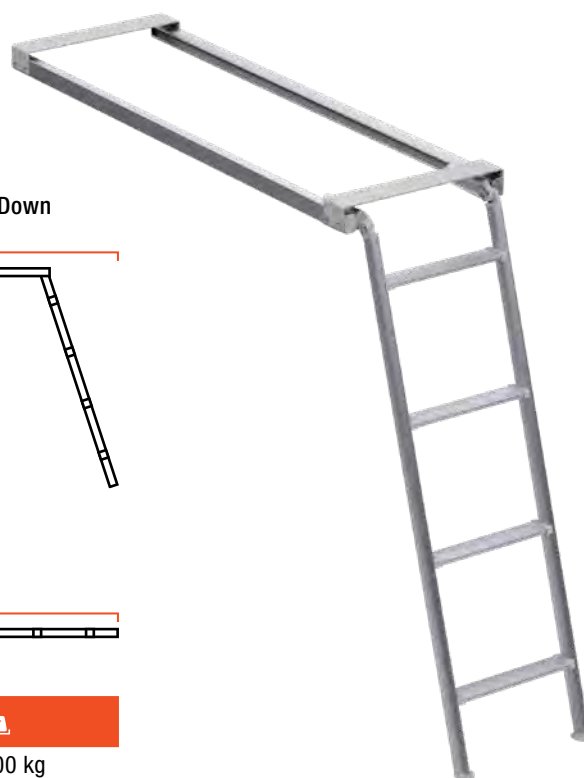
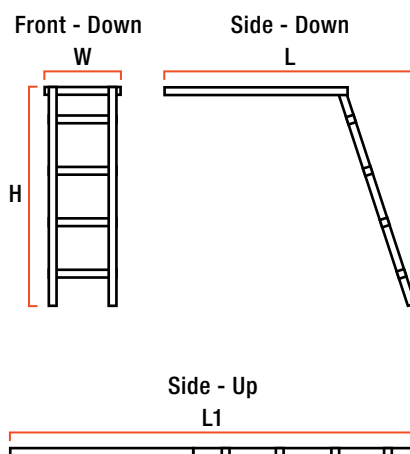


↕ H	↕ H1	↕ W	📦	📦
870 mm to 990 mm	1.500 mm to 1.700 mm	290 mm	2,29 kg to 3 kg	100 kg

SLIDE

Bunk ladder

- Retracting aluminum bunk ladder that folds securely under the bed
- Bottom feet maximize friction to avoid slipping and ensure stability
- Durable and lightweight aluminum construction

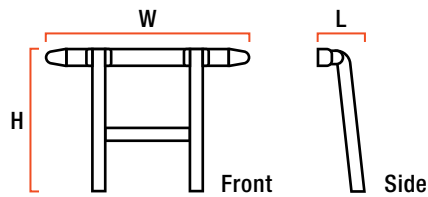
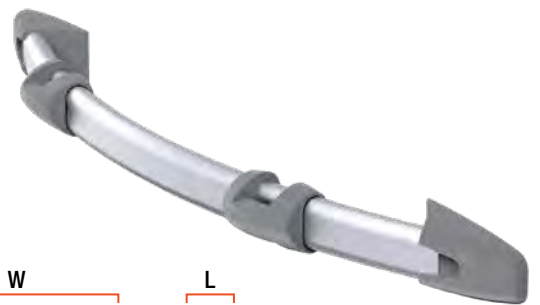


↕ H	↕ W	↕ L	↕ L1	📦	📦
1.000 mm	290 mm	1.374 mm	2.171 mm	3,37 kg	100 kg



LADDER CONNECTION

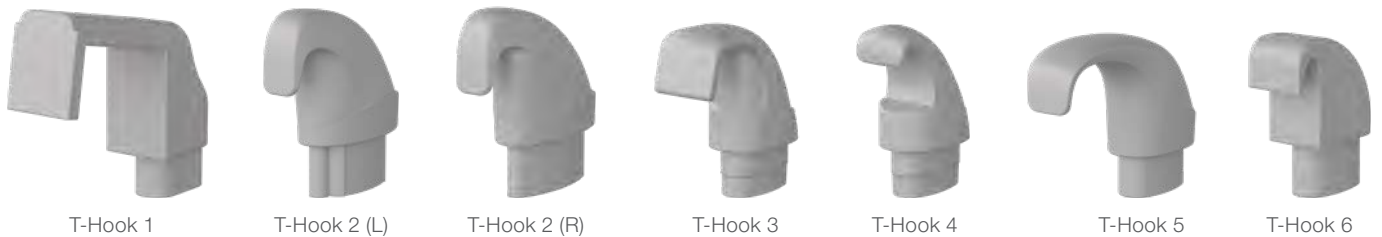
- Provides a handle with safety hooks for secure ladder attachment and easier climbing
- Recommended for bed frames that are not suitable for connecting ladder hooks
- Durable and lightweight aluminum construction
- Designed for use with T-Hook 4 only



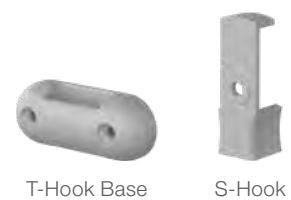
W	L	
700 mm	60 mm	0,30 kg

REPLACEMENT LADDER HOOKS

- Provides a safe, robust ladder connection to the bed frame
- Durable and lightweight plastic construction



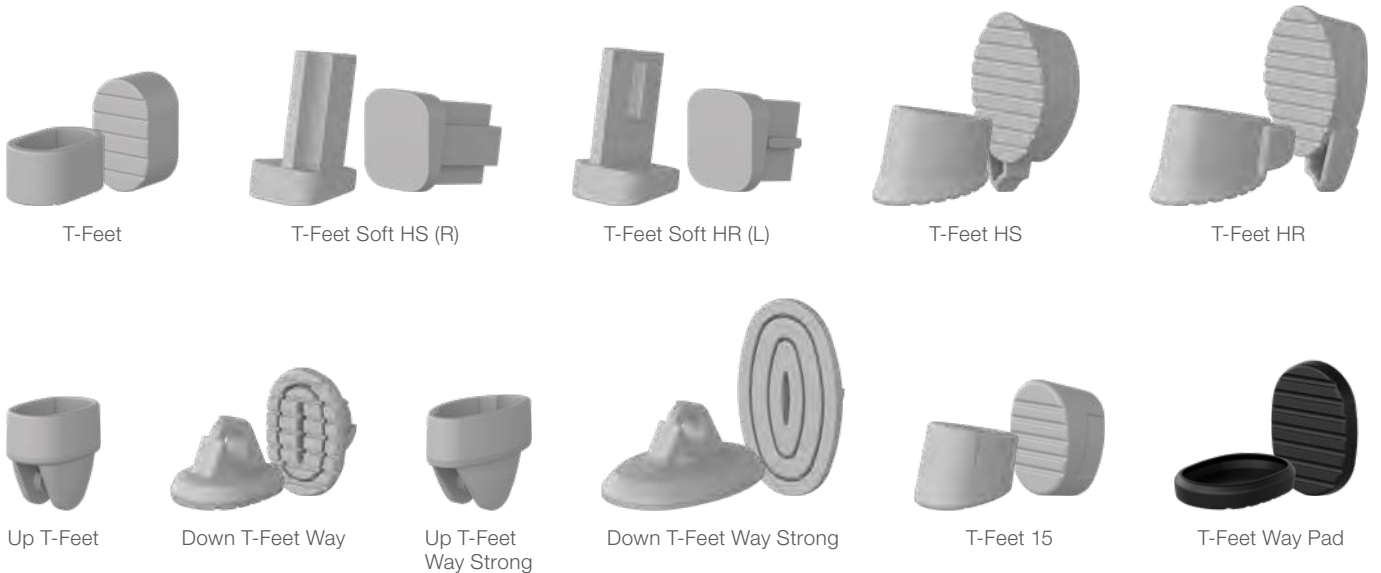
Name	Description	Includes
T-Hook 1	Hook for Titta, Titta Folding 2 and Titta Large-Step	One hook
T-Hook 2	Left hook for Titta Strong and Titta Strong Folding	
T-Hook 2	Right hook for Titta Strong and Titta Strong Folding	
T-Hook 3	Hook for Titta, Titta Folding 2 and Titta Large-Step	
T-Hook 4	Hook for Titta, Titta Folding 2 and Titta Large-Step	
T-Hook 5	Hook for Titta, Titta Folding 2 and Titta Large-Step	
T-Hook 6	Hook for Titta, Titta Folding 2 and Titta Large-Step	
S-Hook	Safety hook for all T-Hooks	
T-Hook Base	Hook supports all T-HOOKS 2, 4 and 6	





REPLACEMENT LADDER FEET

- Maximizes friction to avoid slipping and ensure ladder stability
- Flexible and lightweight plastic construction



Name	Description	Includes
T-Foot	Flat foot for Titta, Titta Folding 2, Titta Large-Step	One foot
T-Foot Soft HS	Left soft foot for Titta, Titta Folding 2, Titta Large-Step	One foot (left)
T-Foot Soft HR	Right soft foot for Titta, Titta Folding 2, Titta Large-Step	One foot (right)
T-Foot HS	Left foot for Titta Strong	One foot (left)
T-Foot HR	Right foot for Titta Strong	One foot (right)
Up T-Foot	Upper part adjustable foot for Titta, Titta Folding 2, Titta Large-Step	One component
Down T-Foot Way	Lower part adjustable foot for Titta, Titta Folding 2, Titta Large-Step	One component
Up T-Foot Way Strong	Upper part adjustable foot for Titta Strong and Titta Strong Folding	One component
Down T-Foot Way Strong	Lower part adjustable foot for Titta Strong and Titta Strong Folding	One component
T-Foot 15	Adds 15° angle foot for Titta, Titta Folding 2, Titta Large-Step	One foot
T-Foot Way Pad	Anti-slip pad for T-Foot Way	One pad



TV BRACKETS





Lippert offers a wide selection of TV brackets and mounts to provide the perfect solution for each van, campervan or motorcaravan. Our TV mounts are available in a range of sizes, material options and configurations, including powered models, to ensure a custom fit for any interior.

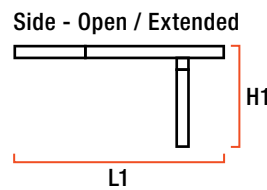
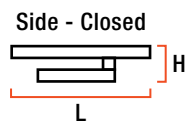
BLUEBELL

Sliding TV bracket with lowering arm

- Pivoting arm allows TV to be lowered down or retracted for convenient storage
- Revolves and tilts backward up to 90° for easy viewing



Pivoting arm allows TV to be lowered down or retracted

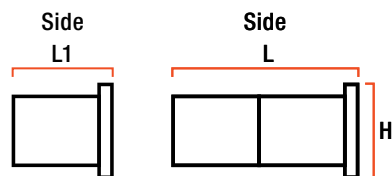
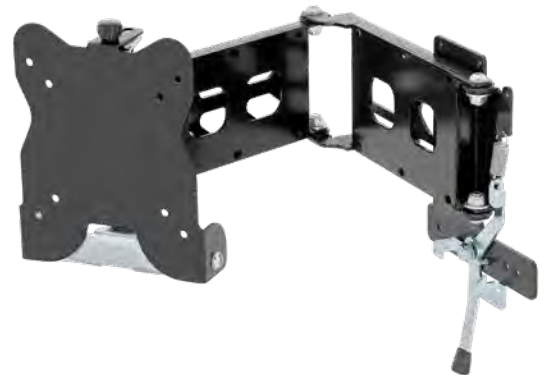


↙ L	↔ L1	↙ H	↔ H1	📦	📦	⊗
325 mm to 525 mm	885 mm to 1.285 mm	120 mm	288 mm	3,6 kg to 4,7 kg	10 kg	75 x 75 mm / 100 x 100 mm

BUTTERFLY 2

Removable TV bracket with electrical and TV plug

- Pantograph mechanism maximizes extension while maintaining a low profile
- Support arm can be locked in place while vehicle is in motion
- Revolves and tilts 180° up or down for easy visibility anywhere in the RV
- Steel construction



↙ L	↔ L1	↕ H	📦	📦	⊗
34 mm to 84 mm	261 mm to 482 mm	156 mm to 160 mm	1,2 kg to 2,4 kg	8 kg	75 x 75 mm / 100 x 100 mm

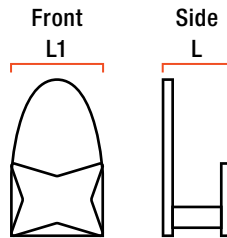
DAISY 2

Wall-fixed TV bracket

- Rotates from 120° to 130° and tilts up to 23° for easy viewing
- Support arm can be locked in place while vehicle is in motion
- Steel construction



Rotates from 120° to 130° and tilts up to 23° for easy viewing

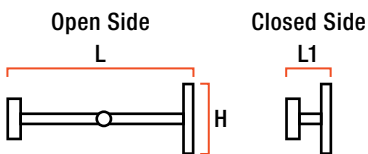


L	L1	H			
73 mm to 78 mm	120 mm	120 mm to 209 mm	6,0 kg to 8,0 kg	10 kg	75 x 75 mm / 100 x 100 mm

DRAGONFLY

TV pole mount

- Rotates 270° and features a three-joint swivel arm for easy viewing
- Adjustable height on the pole with locking knobs for custom positioning
- Mounting pole not included

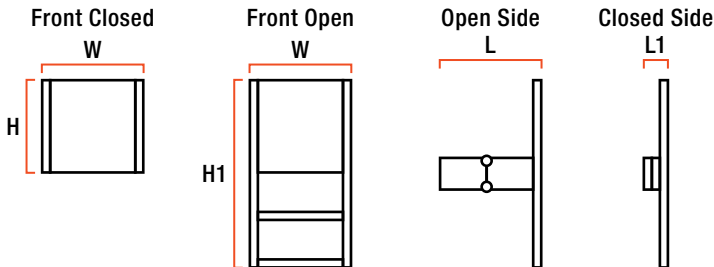


L	L1	H			
475 mm	131 mm	200 mm	1,6 kg	8 kg	75 x 75 mm / 100 x 100 mm

EDELWEISS 2

Manual TV lift

- Three-joint swivel arm with 180° swivel for easy viewing
- Lift mechanism can be locked in place while vehicle is in motion

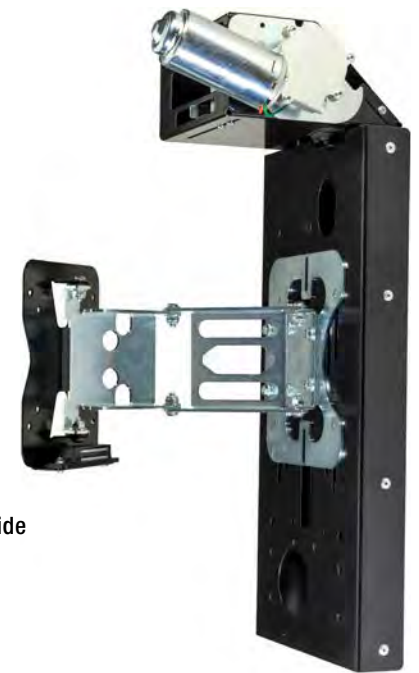


—L	∇L1	∇H	—H1	↗ W	📦	📦	⊗
280 mm	131 mm	440 mm	891 mm	480 mm	7,3 kg	8 kg	75 x 75 mm / 100 x 100 mm / 200 x 100 mm

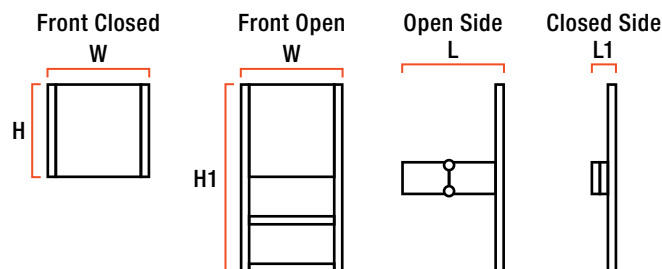
FRESIA

Vertical sliding TV bracket

- Motorized lift allows TV to be retracted into the ceiling when not in use
- Extends to 1.015 mm and rotates 10° to 170° for easy viewing
- One-motor, belt-driven mechanism for automated sliding



Extends and tilts for easy viewing

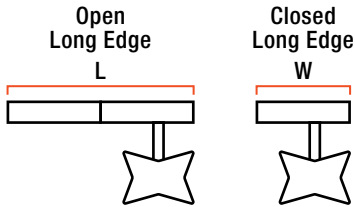


⚡	—L	∇L1	∇H	—H1	↗ W	📦	📦	⊗
4 A	215 mm	268,75 mm	485 mm	1.014 mm	187 mm	5,7 kg	8 kg	75 x 75 mm / 100 x 100 mm

IRIS

Sliding TV ceiling bracket

- Revolves 360° and tilts for easy viewing
- Vertical adjustment with 129 mm of range
- Horizontal adjustment
- Steel construction



L	W			
802 mm	360 mm	2,9 kg	8 kg	75 x 75 mm / 100 x 100 mm

LAVENDER

TV bracket with adjustable height

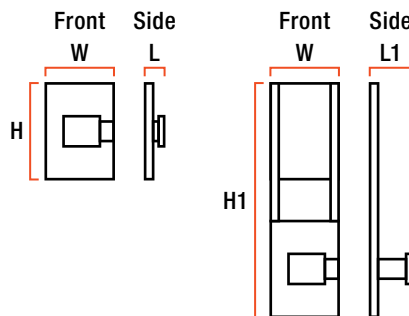
- Two-joint swivel arm for easy viewing
- 400 mm height adjustment range and 10° to 170° pivot for custom positioning
- Right or left placement to adapt to any RV layout



TV BRACKETS



Two-joint swivel arm for easy viewing



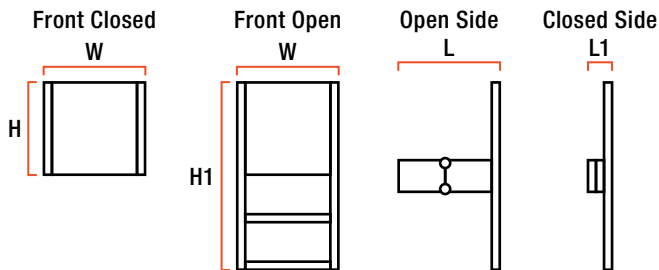
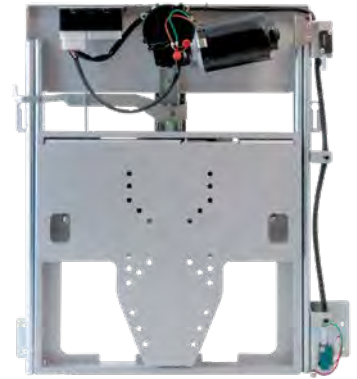
Open front

W	H	H1	L	L1			
194 mm	310 mm	700 mm	47 mm	152 mm	2,9 kg	8 kg	75 x 75 mm / 100 x 100 mm

LILY

Disappearing TV bracket for ceiling

- Motorized lift allows the TV to be completely hidden when retracted
- Designed to drop down from a cabinet
- Extends up to 80 mm and tilts up to 23° for easy viewing
- Right or left placement to adapt to any RV layout
- Multifunction electronic control unit requires 3 A of energy input



Motorized lift allows to TV to be completely hidden when retracted

— L	∇ L1	∇ H	— H1	↗ W	📦	📦	⊗
124,1 mm	104,4 mm	467 mm	880 mm	356 mm	7,4 kg	10 kg	75 x 75 mm / 100 x 100 mm

LOTUS

TV bracket

Lotus 1

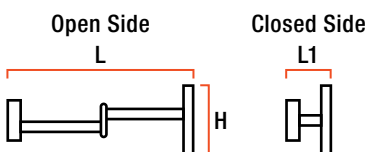
- Three self-braking joints with adjustable 0° to 15° tilt for easy viewing
- Ability to close in either direction
- Support arm can be locked in place while vehicle is in motion
- Aluminum and steel construction



Lotus 1

Lotus 2

- Three self-braking joints with adjustable 0° to 15° tilt for easy viewing
- Support arm can be locked in place while vehicle is in motion
- Steel construction



Lotus 2

— L	∇ L1	↗ H	📦	📦	⊗
424 mm to 570 mm	63 mm to 93 mm	120 mm to 142 mm	1,1 kg to 1,6 kg	8 kg to 10 kg	75 x 75 mm / 100 x 100 mm

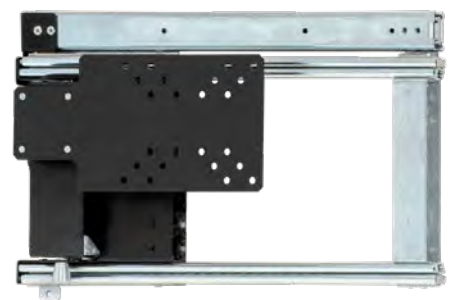


ROSE

Manual folding TV bracket

Rose 1

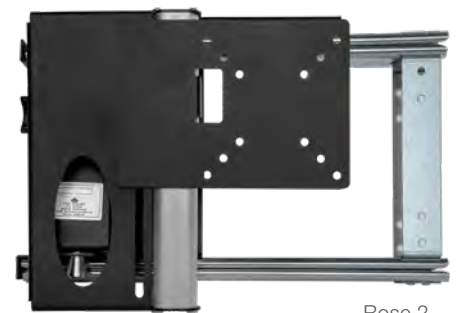
- Slides out horizontally from a cabinet for convenient storage
- Pivots up to 22° when extended
- Rotates 220° and tilts up or down for easy viewing
- Right or left mounting options to accommodate any RV layout
- Support arm can be locked in place while vehicle is in motion
- Steel construction



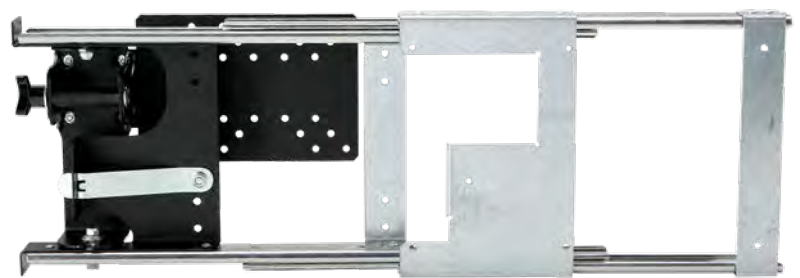
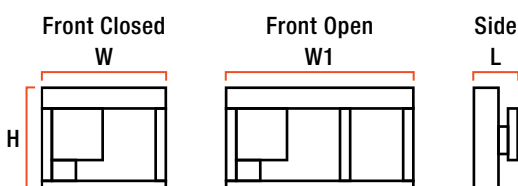
Rose 1

Rose 2

- Slides out horizontally from a cabinet for convenient storage
- Pivots up to 22° when extended
- Can lower up to 15 cm
- Rotates 220° and tilts up or down for easy viewing
- Right or left mounting options to accommodate any RV layout
- Support arm can be locked in place while vehicle is in motion
- Steel construction



Rose 2



Open

Outgoing	↗ L	↘ W	↔ W1	↗ H	📦	📦	✂
Lateral to the right or left	84,8 mm to 95,2 mm	315 mm to 510 mm	516 mm to 1.038 mm	207 mm to 268 mm	3,0 kg to 4,9 kg	10 kg	75 x 75 mm 100 x 100 mm

TV BRACKETS

SUNFLOWER

Vertical dropdown TV bracket

Sunflower 1

- Rotates 180° and features a three-joint swivel arm for easy viewing
- Height adjustment range with lever brake for custom positioning
- Designed to mount on the right or left side
- Aluminum and steel construction
- Profile with narrow guide



Sunflower 1



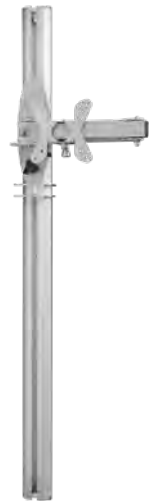
Sunflower 2

Sunflower 2

- Rotates 180° and features a three-joint swivel arm for easy viewing
- Features adjustable 0° to 15° tilt
- Height adjustment range with lever brake for custom positioning
- Designed to mount on the right or left side
- Sleek and lightweight anodized aluminum arm
- Extruded aluminum profile



Sunflower 3



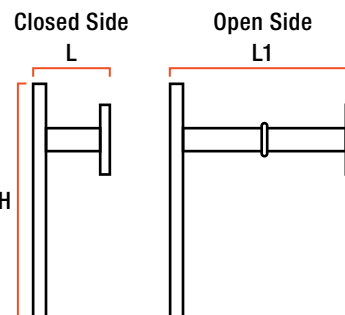
Sunflower 4

Sunflower 3

- Rotates 180° and features a three-joint swivel arm for easy viewing
- Height adjustment range with lever brake for custom positioning
- Designed to mount on the right or left side
- Extruded aluminum profile

Sunflower 4

- Rotates 180° and features a three-joint swivel arm for easy viewing
- Height adjustment and pivoting arm allow for custom TV positioning
- Top end-cap provides a finished look
- Designed to mount on the right or left side
- Extruded aluminum profile

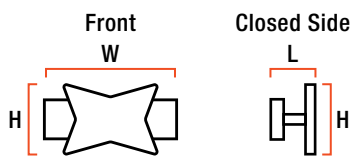


H	L	L1	PRODUCT WT.	MAX LOAD	VESA
600 mm to 990 mm	58 mm to 99 mm	250 mm to 554 mm	1,6 kg to 1,9 kg	8 kg	75 x 75 mm / 100 x 100 mm

TULIP 2

Wall-mount TV bracket

- Compatible with Lavender TV brackets
- 90° rotation for vertical TV storage
- Two-joint swivel arm for easy viewing
- Lockable rotation and closed position for safe travel
- Horizontal sliding movement
- Support arm can be locked in place while vehicle is in motion
- Steel construction

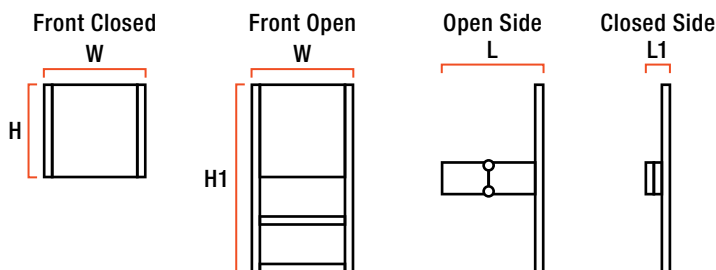


→ L	↙ L	↗ H	📦	📦	✕
278 mm	--	120 mm	0,8 kg	10 kg	75 x 75 mm / 100 x 100 mm

VIOLET 2

Disappearing TV bracket for counter tops

- Motorized lift allows TV to be completely hidden when retracted
- Dual-motor, belt-driven mechanism for smooth, even sliding
- Tilt adjustment for easy viewing



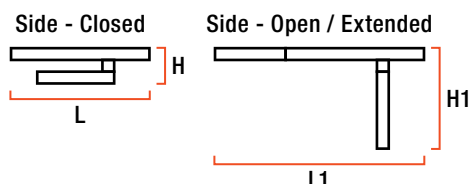
Violet 2

→ L	↙ L1	↙ H	→ H1	↗ W	📦	📦	✕
133,8 mm	95 mm	504 mm to 532 mm	950 mm to 958 mm	398 mm to 635 mm	7,1 to 9,5 kg	8 to 15 kg	75 x 75 mm 100 x 100 mm 200 x 100 mm

WISTERIA

Sliding TV bracket

- Slide adjustment for custom positioning of the TV
- Wall-mount and ceiling-mount options available
- Revolves and tilts forward up to 18° and backward up to 90° for easy viewing
- Automatically locks in closed position for safe travel

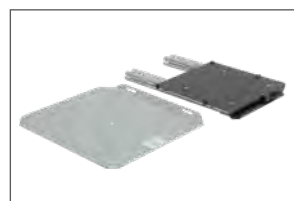
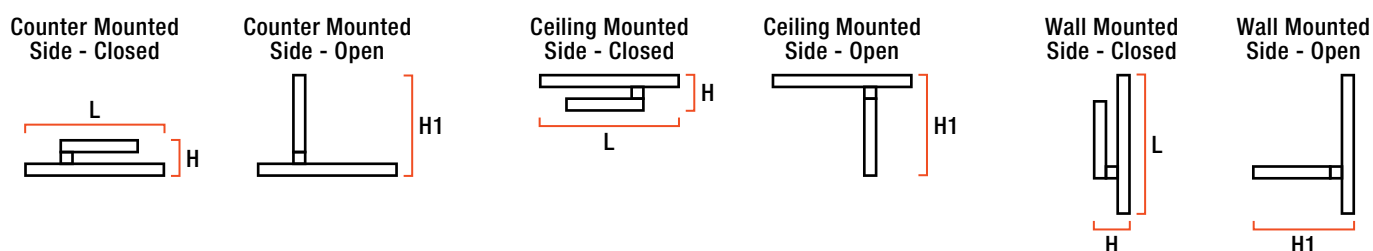


Style	↕ L	↔ L1	↕ H	↔ H1	🛒	📦	⊗
Standard	320 to 525 mm	715 to 1.050 mm	72 to 88 mm	323 to 339 mm	3,0 to 4,4 kg	10 to 20 kg	75 x 75 / 100 x 100 mm
Ceiling	320 to 471 mm	715 to 1.020 mm	72 to 88 mm	323 to 339 mm	3,0 to 4,2 kg	10 to 20 kg	75 x 75 / 100 x 100 mm

WILLOW

TV bracket for Wisteria

- Adds three-joint swivel arm to Wisteria sliding TV brackets
- Low-profile design when closed for compact storage
- Can be mounted to the wall, ceiling or counter top



Wisteria



Willow



Wisteria and Willow assembled

↕ L	↕ H	↔ H1	🛒	📦	⊗
324 mm	81 mm	504 mm	2,0 kg	8 kg	75 x 75 mm / 100 x 100 mm



TV BRACKETS



TABLE LEGS





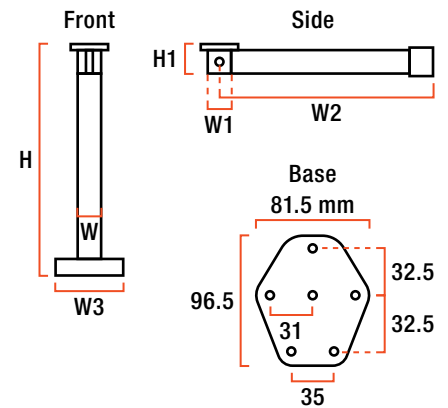
Whether it's enjoying a meal together, playing a game or mapping out the next destination, the table is the centerpiece of a caravan or campervan. Lippert table legs are highly versatile and available in a wide array of configurations, providing the perfect, integrated fit.

ASTRO

Folding support table leg

Astro 2

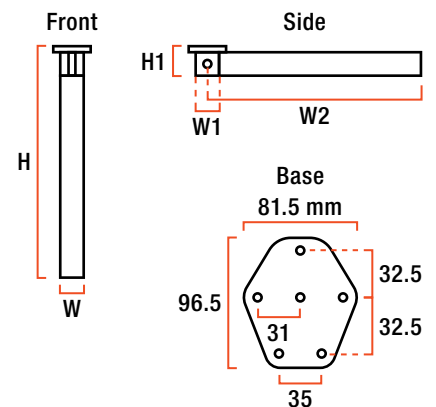
- Folding design for compact storage
- Telescoping option available
- Extruded, anodized aluminum to be strong and lightweight
- Rectangular tube profile
- Plastic hinge and top plate
- Bottom foot for increased stability
- Customizable hinge position



Foot Style	↕ H	↕ H1	↕ W	↕ W1	↕ W2	↕ W3	↕ Foot Size
Simple	720 mm	75 mm	40 mm	32 mm	660 mm	235 mm	235 mm x 41 mm
Telescoping	720 mm	75 mm	40 mm	32 mm	660 mm	235 mm	235 mm x 41 mm

Astro 3

- Folding design for compact storage
- Telescoping option available
- Extruded, anodized aluminum to be strong and lightweight
- Rectangular tube profile
- Plastic hinge and top plate
- Customizable hinge position



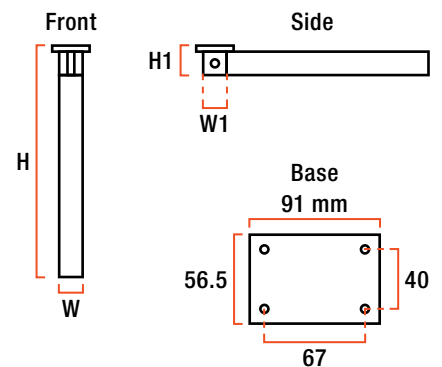
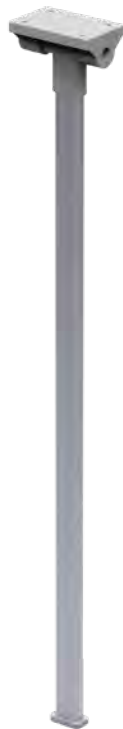
Foot Style	↕ H	↕ H1	↕ W	↕ W1	↕ W2	↕ Foot Size
Simple foot	720 mm	75 mm	40 mm	32 mm	660 mm	49 mm x 41 mm
Telescoping	650 mm to 750 mm	75 mm	40 mm	32 mm	660 mm	49 mm x 41 mm

COMET

Folding support table leg

Comet 1

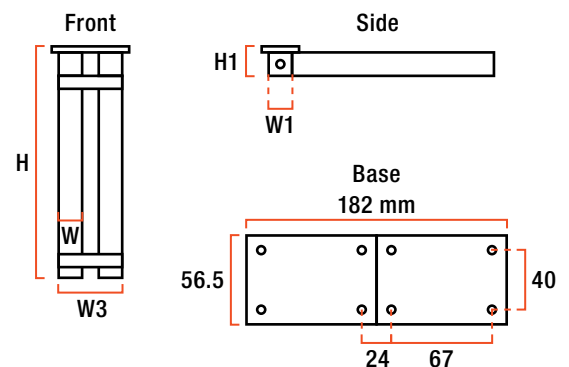
- Folding design for compact storage
- Extruded, anodized aluminum to be strong and lightweight
- Oval tube profile
- Plastic hinge and top plate
- Hinge on the top of the plate



Foot Style	↕ H	↕ H1	↕ W	↕ W1	↕ Foot Size
Simple	720 mm	37 mm	30 mm	15 mm	50 mm x 32 mm

Comet 2

- Top-fold design for compact storage
- Extruded, anodized aluminum to be strong and lightweight
- Oval tube profile
- Plastic hinge and top plate
- Hinge on the top of the plate
- Dual-leg configuration with bottom foot for enhanced stability



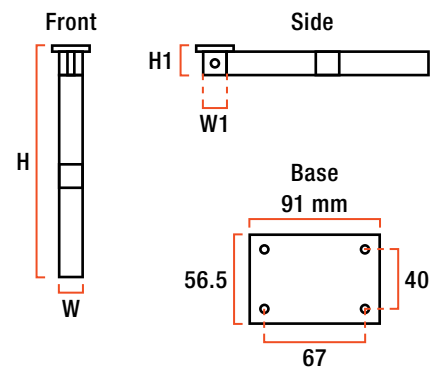
Foot Style	↕ H	↕ H1	↕ W	↕ W1	↕ W3	↕ Foot Size
Simple	720 mm	37 mm	30 mm	15 mm	137 mm	139 mm x 32 mm

COMET

Folding support table leg

Comet 3

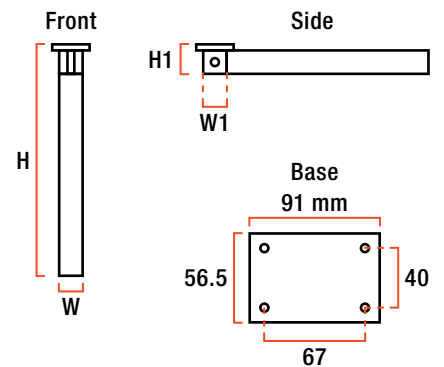
- Folding design for compact storage
- Extruded, anodized aluminum to be strong and lightweight
- Oval tube profile
- Plastic hinge and top plate
- Hinge on the top of the plate
- Leg is not pre-cut
- Assembly required



Foot Style	↕ H	↕ H1	↕ W	↕ W1	↕ Foot Size
Simple	720 mm	37 mm	30 mm	15 mm	50 mm x 32 mm

Comet 4

- Folding design for compact storage
- Leg detaches from base for additional breakdown
- Extruded, anodized aluminum to be strong and lightweight
- Oval tube profile
- Plastic hinge and top plate
- Hinge on the top of the plate



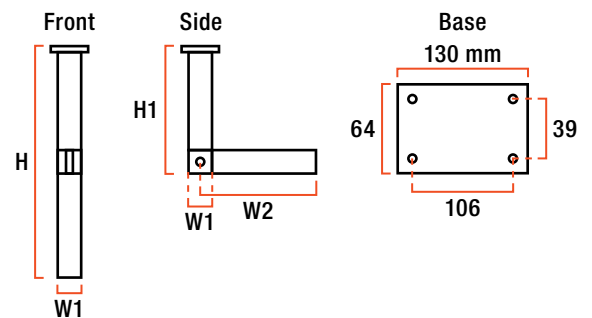
Foot Style	↕ H	↕ H1	↕ W	↕ W1	↕ Foot Size
Simple	720 mm	37 mm	30 mm	15 mm	50 mm x 32 mm

MAGNUM

Folding support table leg

Magnum 1

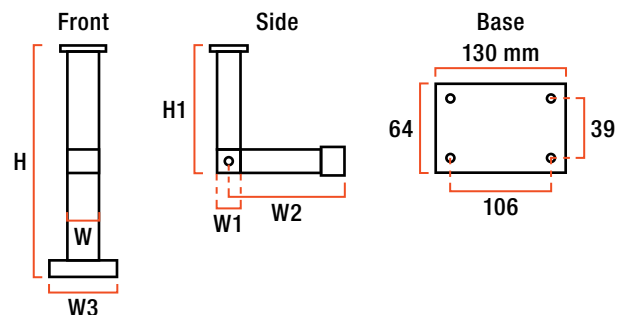
- Folding design for compact storage
- Extruded, anodized aluminum to be strong and lightweight
- Fluted oval tube profile
- Die-cast aluminum hinge and top plate
- Customizable hinge position



Foot Style	↕ H	↕ H1	↕ W	↕ W1	↕ W2	↕ Foot Size
Simple	720 mm	380 mm	70 mm	33 mm	375 mm	75 mm x 38 mm

Magnum 3

- Folding design for compact storage
- Extruded, anodized aluminum to be strong and lightweight
- Fluted oval tube profile
- Die-cast aluminum hinge and top plate
- Bottom foot for increased stability
- Customizable hinge position

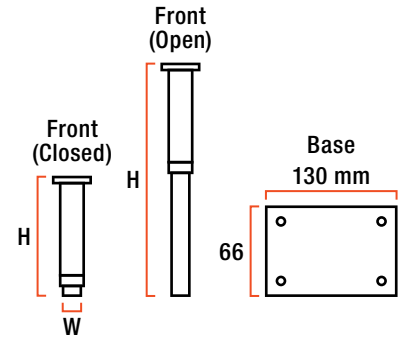


Foot Style	↕ H	↕ H1	↕ W	↕ W1	↕ W2	↕ W3	↕ Foot Size
Simple	720 mm	380 mm	70 mm	33 mm	375 mm	235 mm	235 mm x 38 mm

MISTRAL

Telescopic table leg

- Leg detaches from base for additional breakdown
- Plastic and aluminum components to be strong and lightweight
- Round tube profile



Foot Style	↕ H	↕ W	↕ Foot Size
Simple	312 mm to 720 mm	45 mm	45 mm x 45 mm

MOON

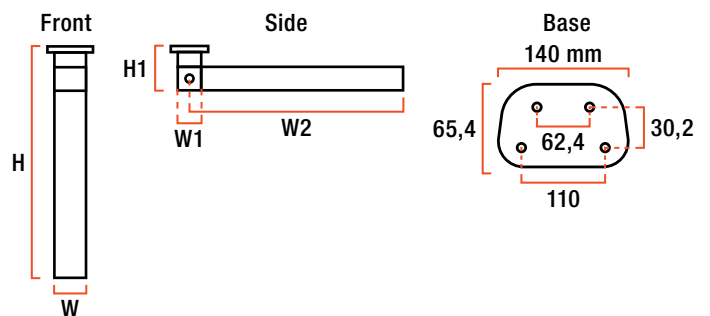
Support table leg

Moon 1

- Folding design for compact storage
- Extruded, anodized aluminum to be strong and lightweight
- Oval tube profile with plastic insert
- Aluminum hinge and top plate
- Customizable hinge position



Oval tube profile with plastic insert for a stylish accent



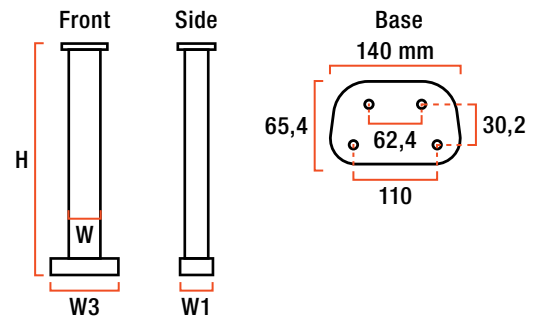
Foot Style	↕ H	↕ H1	↕ W	↕ W1	↕ W2	↕ Foot Size
Simple	750 mm	75 mm	72 mm	29 mm	690 mm	97 mm x 40 mm

Moon 2

- Non-folding design with bottom foot for increased stability
- Extruded, anodized aluminum to be strong and lightweight
- Oval tube profile with plastic insert



Oval tube profile with plastic insert for a stylish accent



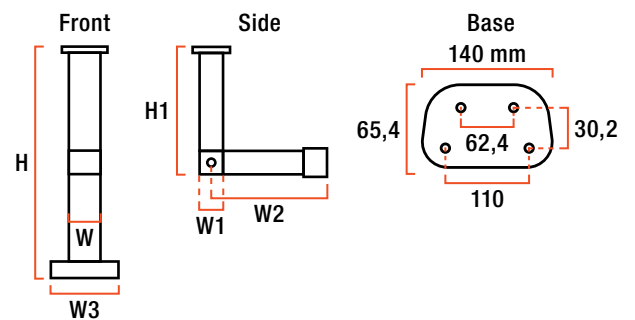
Foot Style	↕ H	↕ W	↕ W1	↕ W3	↕ Foot Size
Simple	750 mm	72 mm	29 mm	235 mm	235 mm x 40 mm

Moon 3

- Extruded, anodized aluminum to be strong and lightweight
- Oval tube profile with plastic insert
- Aluminum hinge and top plate
- Bottom foot for increased stability
- Customizable hinge position



Center-fold design for compact, as-needed storage



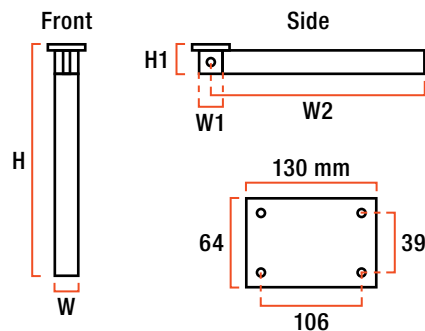
Foot Style	↕ H	↕ H1	↕ W	↕ W1	↕ W2	↕ W3	↕ Foot Size
Simple	750 mm	275 mm	72 mm	29 mm	490 mm	235 mm	235 mm x 40 mm

STAR

Folding support table leg

Star 1

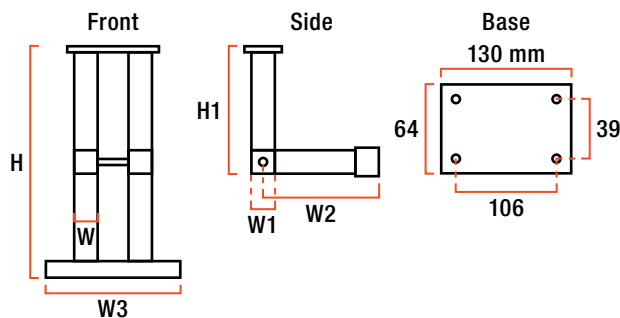
- Extruded, anodized aluminum leg to be strong and lightweight
- Rectangular tube profile
- Die-cast aluminum hinge and galvanized steel top plate for maximum strength
- Customizable hinge position



Foot Style	↕ H	↕ H1	↕ W	↕ W1	↕ W2	↕ Foot Size
Simple	720 mm	75 mm	60 mm	32 mm	665 mm	65 mm x 36 mm

Star 2

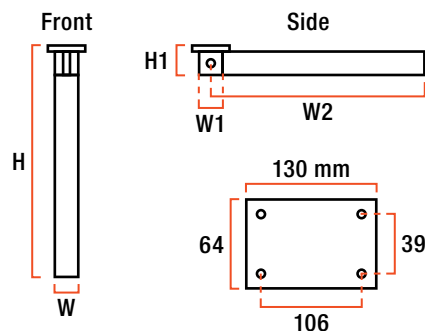
- Extruded, anodized aluminum leg to be strong and lightweight
- Rectangular tube profile
- Die-cast aluminum hinge and galvanized steel top plate for maximum strength
- Dual-leg configuration with bottom foot for enhanced stability
- Customizable hinge position



Foot Style	↕ H	↕ H1	↕ W	↕ W1	↕ W2	↕ W3	↕ Foot Size
Simple	720 mm	380 mm	60 mm	32 mm	355 mm	435 mm	435 mm x 36 mm

Star 3

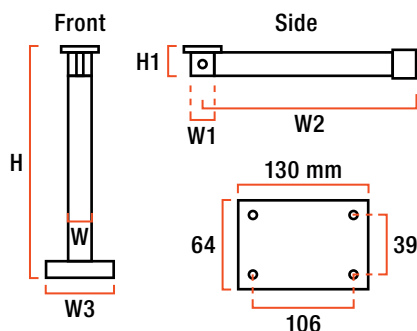
- Extruded, anodized aluminum leg to be strong and lightweight
- Rectangular tube profile
- Die-cast aluminum hinge and galvanized steel top plate for maximum strength
- Customizable hinge position
- Adjustable foot to ensure level table surface



Foot Style	↕ H	↕ H1	↕ W	↕ W1	↕ W2	↕ Foot Size
Adjustable	720 mm	75 mm	60 mm	32 mm	665 mm	65 mm x 36 mm

Star 4

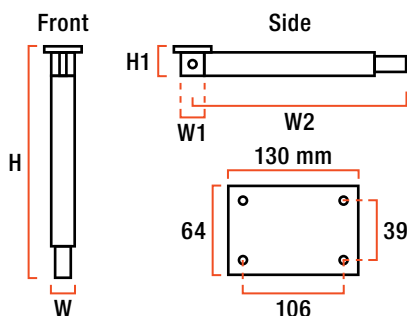
- Extruded, anodized aluminum leg to be strong and lightweight
- Rectangular tube profile
- Die-cast aluminum hinge and galvanized steel top plate for maximum strength
- Bottom foot for increased stability



Foot Style	↕ H	↕ H1	↕ W	↕ W1	↕ W2	↕ W3	↕ Foot Size
Simple	720 mm	75 mm	60 mm	32 mm	665 mm	235 mm	235 mm x 36 mm

Star 5

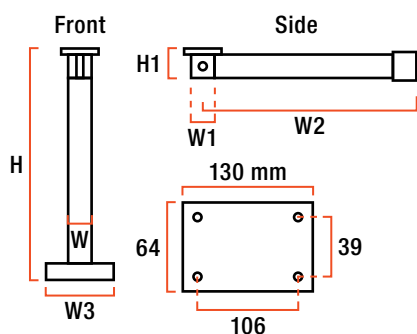
- Extruded, anodized aluminum leg to be strong and lightweight
- Rectangular tube profile
- Die-cast aluminum hinge and galvanized steel top plate for maximum strength
- Telescoping bottom leg to ensure level table surface
- Customizable hinge position



Foot Style	↕ H	↕ H1	↕ W	↕ W1	↕ W2	↕ Foot Size
Telescopes	650 to 750 mm	75 mm	60 mm	32 mm	590 to 690 mm	49 mm x 41 mm

Star 8

- Extruded, anodized aluminum leg to be strong and lightweight
- Rectangular tube profile
- Die-cast aluminum hinge and galvanized steel top plate for maximum strength
- Telescoping bottom leg to ensure level table surface
- Customizable hinge position
- Bottom foot for increased stability



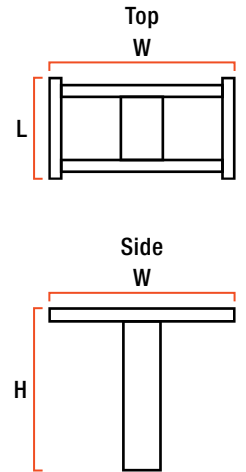
Foot Style	↕ H	↕ H1	↕ W	↕ W1	↕ W2	↕ W3	↕ Foot Size
Telescoping	650 to 750 mm	75 mm	60 mm	32 mm	600 to 700 mm	235 mm	235 x 36 mm

TABLE LEGS

COLUMN

Fixed table leg

- Plastic and aluminum slide components
- Steel construction for maximum strength
- Available with sliding and rotating table support

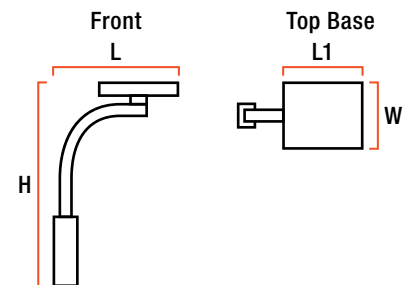


Slide Directions	Rotates	↕ H	↔ W	↔ L	↔ Foot Size
4	Yes	720 mm	695 mm	560 mm	220 mm x 220 mm

CORNER

Table leg

- Rotating base plate
- Steel construction for maximum strength
- Round tube profile



Version	Rotates	↕ H	↔ L	↔ L1	↔ W	↔ Foot Size
Corner 1	Yes	735 mm	450 mm	200 mm	200 mm	70 mm x 54 mm
Corner 2	Yes	730 mm	450 mm	200 mm	200 mm	100 mm x 80 mm

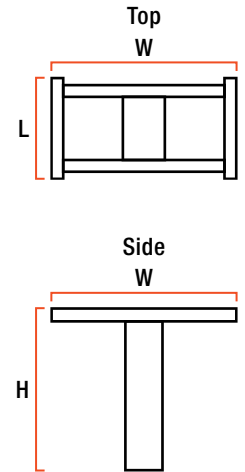
COSMO

Telescopic table leg

- Plastic and aluminum slide components
- Steel construction for maximum strength
- Available with sliding and rotating table support



Telescoping leg with automatic uplift for easy height adjustment

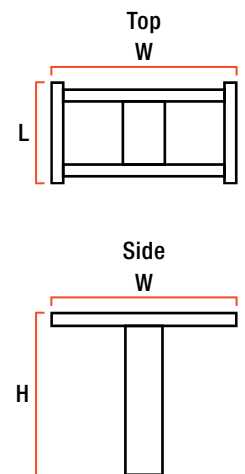


Slide Directions	Rotates	↔ H	↗ W	↘ L	↗ Foot Size
4	Yes	340 mm to 720 mm	695 mm	560 mm	220 mm x 220 mm

GALAXY

Telescopic table leg

- Telescoping leg with automatic uplift for easy height adjustment
- Steel construction for maximum strength
- Available with sliding and rotating table support

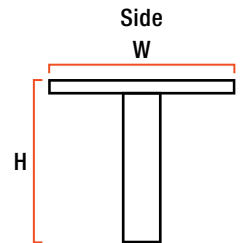
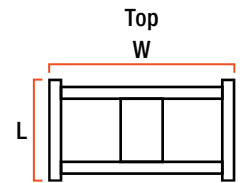


Slide Directions	Rotates	↔ H	↗ W	↘ L	↗ Foot Size
4	Yes	340 mm to 730 mm	695 mm	560 mm	340 mm x 240 mm

PLANET

Fixed table leg

- Allows table to rotate and slide as needed to fully optimize interior space
- Plastic and aluminum slide components
- Steel construction for maximum strength
- Available with sliding and rotating table support

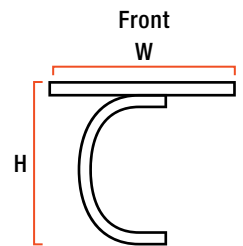
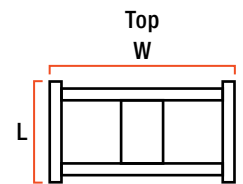


Slide Directions	Rotates	↕ H	↔ W	↔ L	↕ Foot Size
4	Yes	740 mm	695 mm	560 mm	220 mm x 220 mm

RAINBOW

Fixed table leg

- Arched wood support
- Available with sliding and rotating table support

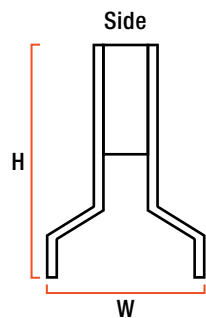


Slide Directions	Rotates	↕ H	↔ W	↔ L	↕ Leg Width	↕ Foot Size
4	Yes or no	760 mm	695 mm	560 mm	128 mm	300 mm x 250 mm

STABILIOUS & STABILIOUS EVO

Table leg

- Wide-stance design to support large tables
- Folding base for compact storage
- Painted steel construction for maximum strength
- Includes one pair of legs (table top not included)

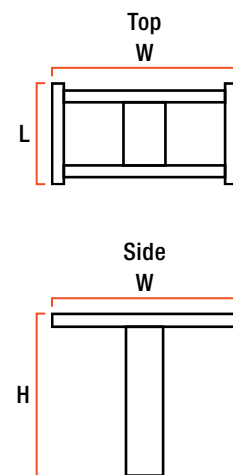


Name	Includes	↕ H	↔ W
Stabilious	Two legs	700 mm	450 mm
Stabilious Evo	Two legs	700 mm	455 mm

UNIVERSO

Fixed table leg

- Plastic and aluminum slide components
- Steel construction for maximum strength
- Available with sliding and rotating table support



Slide Directions	Rotates	↕ H	↔ W	↕ L	↔ Foot Size
4	No	740 mm	680 mm	560 mm	220 mm x 220 mm

TABLE LEGS

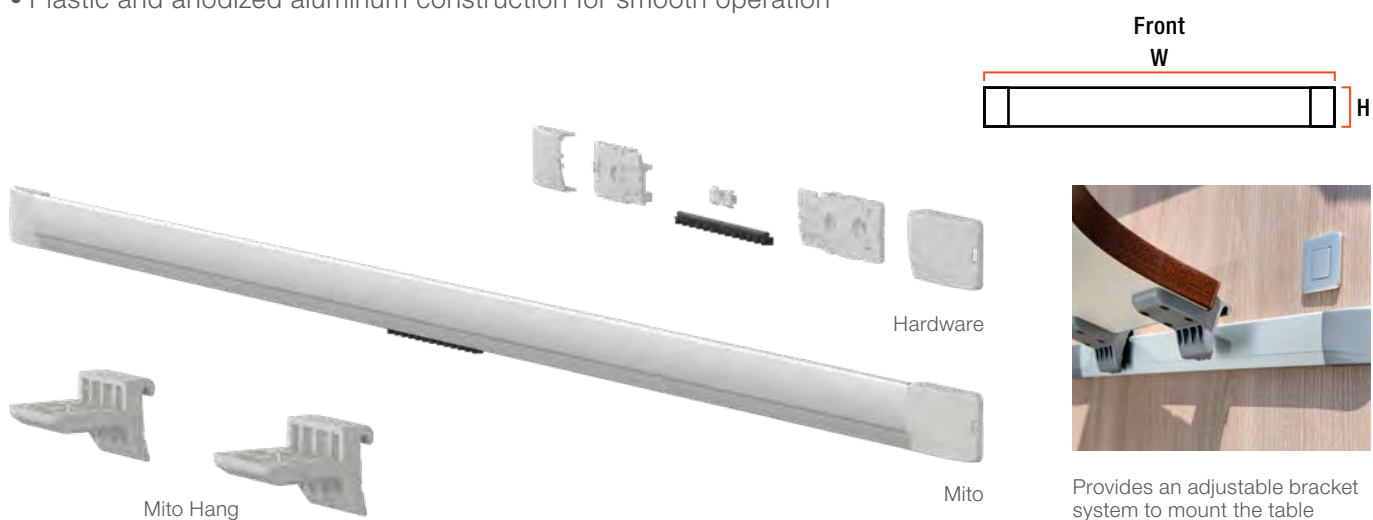


MITO

Sliding connection kit

- Provides an adjustable bracket system to mount the table (sold separately)
- Sliding brackets easily adjust to accept different table dimensions
- Plastic and anodized aluminum construction for smooth operation

TABLE LEGS



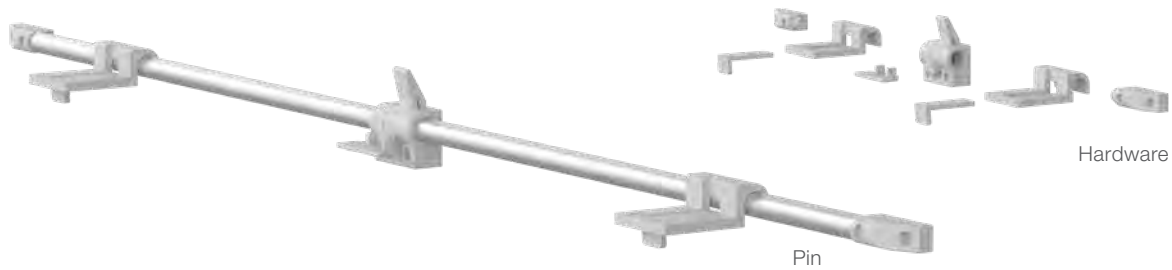
Provides an adjustable bracket system to mount the table

Name	Description	↕ W	↕ H
Mito	Table kit	300 mm to 1.100 mm	15 mm to 65 mm
Mito Hang	Table attachment brackets (not included in kit)	--	--
--	Replacement mounting hardware and covers	--	--

PIN

Sliding connection kit

- Provides a solid mount for attaching the table to the wall
- Sliding brackets easily adjust to accept different table dimensions
- Plastic and stainless steel construction for smooth operation

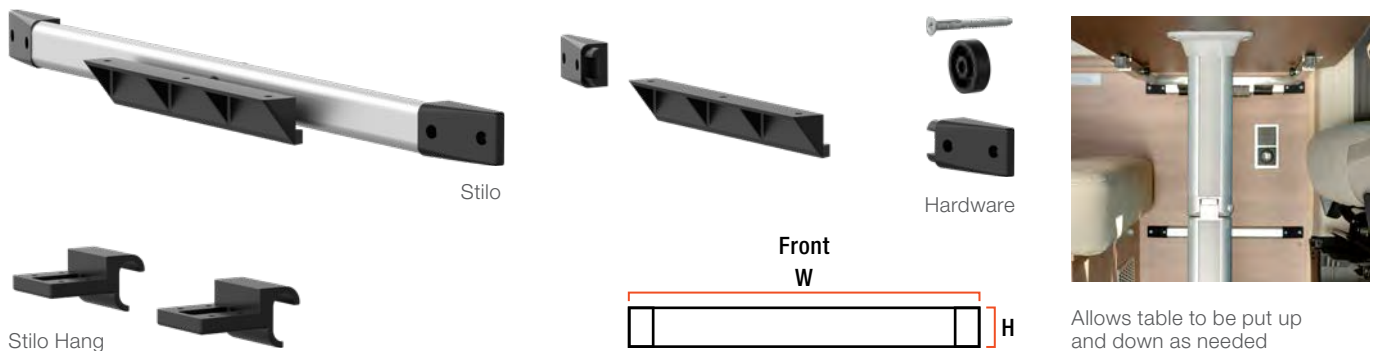


Name	Description	↔ W	↔ H
Pin	Table kit	300 mm to 1.100 mm	75 mm
--	Replacement mounting hardware	--	--

STILO

Sliding connection kit

- Provides an adjustable bracket system to mount the table (sold separately)
- Sliding brackets easily adjust to accept different table dimensions
- Plastic and anodized aluminum construction for smooth operation



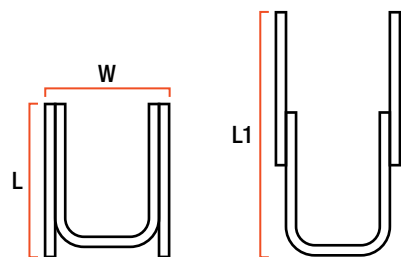
Name	Description	↔ W	↔ H
Stilo	Table kit	300 mm to 1.100 mm	55 mm to 75 mm
Stilo Hang	Table attachment brackets (not included in kit)	--	--
--	Replacement mounting hardware	--	--



ASTRA

Extendable table support

- Allows table to slide out as needed to fully optimize interior space
- Plastic and aluminum slide components for smooth operation



↕ W	↕ L	↕ L1
560 mm	850 mm	1.380 mm



Allows table to slide out as needed

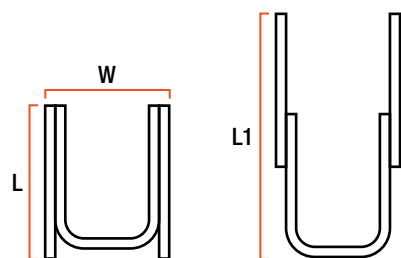


Smooth, sliding operation for delicate situations

FOCUS

Extendable table support

- Allows table to slide out as needed to fully optimize interior space
- Plastic and aluminum slide components for smooth operation



↕ W	↕ L	↕ L1
560 mm	870 mm	1.500 mm



Allows table to slide out as needed



Smooth, sliding operation for delicate situations

GIOCONDA

Folding table support

- Allows table to fold out as needed to fully optimize interior space
- Adjustable height to adapt to any setting
- Easy, four-screw installation (screws not included)
- Table base not included



Adjustable height adapts to any setting

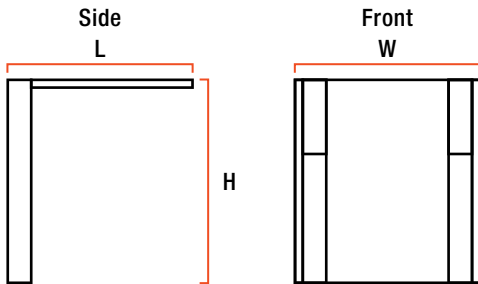


Table folds down completely to save space in the RV



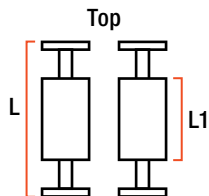
Easy, fold-out design

↔ Height Range	↕ H	↕ W	↕ L
230 mm to 596 mm	596 mm	461 mm	425,30 mm

JIMMY

Sliding table support

- Supports table extension to fully optimize interior space
- Plastic and aluminum slide components for smooth operation
- Includes two adjustable supports

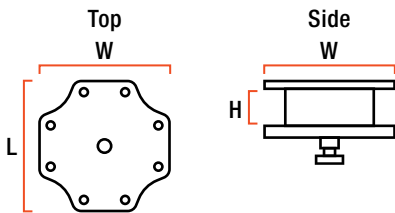


↔ L	↕ L1
180 mm to 400 mm	91 mm

ROTO

Rotating table leg bracket

- Allows table to rotate on its leg
- Locking knob keeps table in a fixed position
- Compatible with all Lippert table legs (excluding Comet, Astro and Moon)
- Steel construction for maximum strength
- Available in single or double-leg configurations

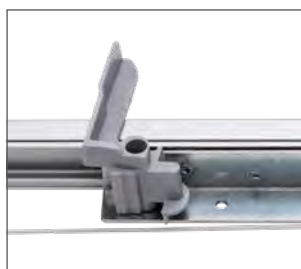


Supports	↗ L	↗ W	↗ H
Single leg	140 mm	140 mm	15 mm to 32 mm
Double leg	140 mm	260 mm	30 mm

SIMPLY

Table bracket

- Allows table to slide as needed to fully optimize interior space
- Steel and aluminum construction to be strong and lightweight
- Table leg not included



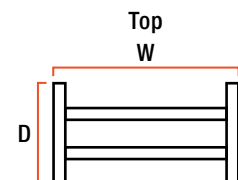
Easy-to-grip handle allows for quick and easy adjustment



Steel and aluminum materials are strong and lightweight



Slides in two directions to provide maximum adjustability



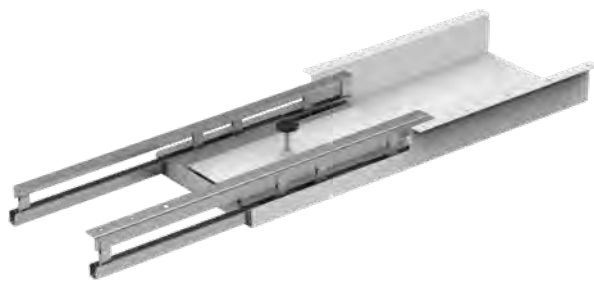
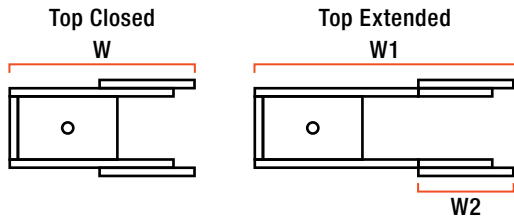
↗ Width Adjustment Range	↗ Depth Adjustment Range
420 mm run	300 mm run

TIRETTE

Extendable table support

Tirette 1

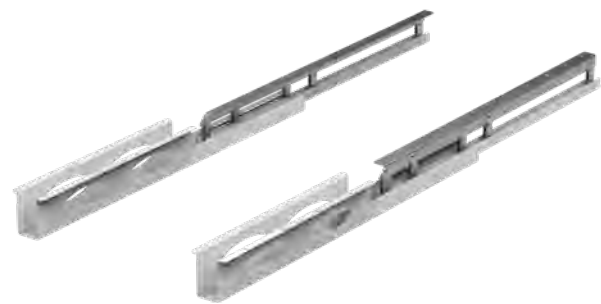
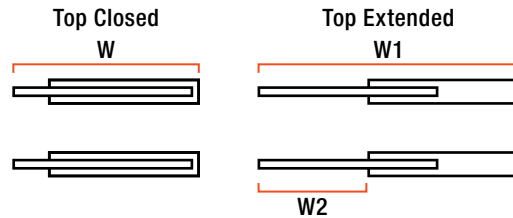
- Fixed mechanisms are 260 mm apart
- Allows table to extend out as needed to fully optimize interior space
- Steel construction for maximum strength



↕ W	↕ W1	↕ W2
630 mm	980 mm	260 mm

Tirette 2

- Two separate mechanisms allow mounting for multiple table widths
- Allows table to extend out as needed to fully optimize interior space
- Steel construction for maximum strength

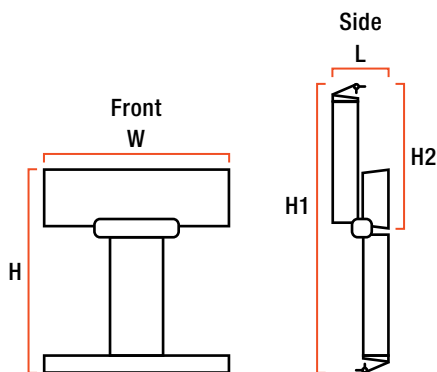


↕ W	↕ W1	↕ W2
630 mm	980 mm	260 mm

UP-DOWN

Table lift support

- Pivoting bracket allows table to be positioned high or low as needed
- Extruded, anodized aluminum construction to be strong and lightweight
- Designed to install onto wall bracket (separately)



↕ H	↕ H1	↕ H2	↕ W	↕ L
190 mm	250 mm	208 mm	250 mm	78 mm



WATER TANKS





Lippert water tanks are available in a wide variety of shapes and sizes to provide an exact fit for the campervan or caravan. They're constructed from high-quality plastic and are designed to integrate with the existing structure of the vehicle.

WATER TANKS

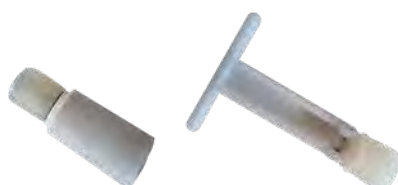
- NOTICE: If installation pipes and vents are not installed from the top of the water tank, capacity of the tank could be reduced by up to 6%
- Constructed from high-density polyethylene
- Compatible with a variety of caravans and motorcaravans
- Installation hardware not included
- Available in black and white (other colors available on request)
- Full assembly and single sub-components comply with KTW-BWGL and DIN 16421



Capacity	↕ H	↔ W	↔ L
24 litres to 1.300 litres	200 mm to 1.600 mm	200 mm to 1.400 mm	120 mm to 800 mm

EXPANSION CAP

- Hinging lever expands rubber to plug tank
- Insertion of these components will reduce the capacity of the tank



Description	↕
Expansion cap	22 mm
Expansion cap extension	--



WATER TANKS



POWER ON BOARD





A steady, onboard power supply is an essential part of mobile travel. Charging systems from Lippert enable batteries to be perfectly charged and onboard electrical devices to be supplied with power in all situations.

EBL ELECTROBLOCKS

Devices for generating charging voltages for all batteries installed in the motorcaravan (living area, starter or auxiliary battery). EBLs distribute and protect the output circuits. The overall supply switching is via two main switches, the living area supply on / off switch and the vehicle supply on / off switch with complete isolation of all consumers from the batteries (shutdown).

Contact us for requests. Available options:

- Grid supply 230V AC
- Battery charging by grid or while driving
- Multiple output circuits, separately fused between 1 A and 25 A
- Connection facility for auxiliary chargers (up to 2x 18 A)
- Connection facility for solar charge controller (up to 25 A charging current)
- Networking of all chargers (EBL internal charger, auxiliary charger, solar charge controller) via special bus (SynCharge) for centralized control
- Bus connection via LIN (CI bus), SDTBUS (Schaudt bus), CAN or CAN (RV-C); CAN and CAN with RV-C (on request, development time required)
- D+ signal evaluation (active ground, 12V active or both (switchable))
- Selectable characteristic curves can be any combination of: lead-acid, lead-gel, AGM I, AGM II, LiFePo4, special customized curve; IUoU, CC
- Internal battery booster to facilitate living area battery charging while driving (in development)
- Connections for multiple tank level probes
- Refrigerator supply (configurable) for absorber, compressor or AES refrigerators
- Low quiescent current consumption (almost 0 mA for EBLs without bus connection)
- Specially switched heating output
- Integrated overvoltage protection (OVP)
- Charging currents of max 18 A, max 20 A (without fan) or max, 25 A (with fan), 25 A (possible)
- Connectors of all ports can be defined by OEM
- Operational ambient temperature range between -20 °C to +45 °C
- Overheating protection
- Approximate dimensions: 275 mm x 130 mm x 170 mm
- Approximate weight: 2 kg



EBL 402 front



EBL 402 back



EBL 211 front



EBL 211 back

CSV CARAVAN POWER SUPPLIES

Devices generating a battery charging voltage in the caravan, alternatively supply voltage only without. Charging function (characteristic curve) distribution and protection of output circuits; overall supply switching via a main switch. They are suitable for caravans that do not have their own battery, but have electrical devices that are supposed to be operated solely via the campsite's mains power supply.

Contact us for requests. Available options:

- Grid supply 230V AC
- Battery charging from grid or while driving (also possible with integrated booster)
- Multiple output circuits, separately fused between 1 A and 25 A
- Connection facility for solar charge controller (up to 25 A charging current)
- Bus connection via LIN (CI bus), SDTBUS (Schaudt bus), CAN or CAN (RV-C); CAN or CAN with RV-C on request
- Selectable characteristic curves can be any combination of: lead-acid, lead-gel, AGM I, AGM II, LiFePo4, special customized curve; IUoU, CC
- Internal battery booster to facilitate living area battery charging while driving
- Connections for multiple tank level probes
- Refrigerator supply (configurable) for absorber, compressor or AES refrigerators
- Low quiescent current consumption (almost 0 mA for CSVs without bus connection)
- For CSVs without charging option: supply currents up to 32 A (without fan)
- Operational ambient temperature range between -20 °C to +45 °C
- Also available are an analog panel, digital panel and bus panel depending on CSV features
- Connectors of all ports can be defined by OEM



CSV 416 front



CSV 416 back



CSV 416 top

Model #	Input Voltage	Max Total Current	Output Voltage	📦	↕ H	↔ W	↕ D
CSV 400	230 volt mains - 12 volt from car	Supply 32 A	12,5V	2 kg	111 mm	320 mm	217 mm
CSV 416	230 volt mains - 12 volt from car	Charging 28 A	14,2V	2 kg	111 mm	320 mm	217 mm



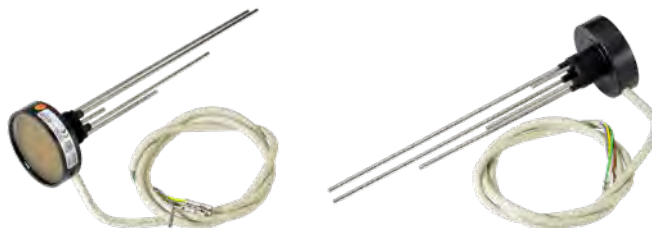
POWER ON BOARD

WATER TANK LEVEL PROBES

Probes to acquire levels in water tanks or wastewater tanks.

Contact us for requests. Available options:

- Three or four levels possible
- Continuous level detection with voltage (or current) output 0 to 2V proportional to the measured value (can be customized)
- Complete scope of supply with nut and seal
- Bus-coupled probes possible (on request; CI or CAN)



SOLAR REGULATORS

Device to facilitate connecting one or more solar panels. A charging voltage for one living area battery or two batteries (living area and starter battery) is available at the output. Charging voltage suitable for batteries, voltage and current display can be connected.

Contact us for requests. Available options:

- Characteristic curves of the living area battery can be any combination of lead-acid, lead-gel, AGM, lithium
- Charging voltage temperature compensation
- Bus connection via LIN (CI bus), SDTBUS (Schaudt bus)
- MPP or longitude controller
- Battery connection via screw terminals, Phoenix Contact high-performance connector terminals, AMP 6.3 flat connectors
- LT 320 panel for solar power display
- Connectors of all ports can be defined by OEM



LRM 1218 front



LT 320 panel

Model #	Input Voltage	Max Total Current	Charging Voltage	🛒	↕ H	↕ W	↕ D
LRM 1218	16 - 32V	20 A	13,2 - 14,9V	350 gr	55 mm	148 mm	95 mm
LR 1218	16 - 25V	18 A	14,2V	100 gr	110 mm	75 mm	56 mm

CARAVAN BOOSTER WA

Device for boosting the voltage supplied by the vehicle (towing vehicle) to facilitate charging the living area battery while driving (supply voltage drop via the trailer socket can be very high).



WA 1208 front



WA 1208 back

Contact us for requests. Available options:

- Up to 15V output voltage
- Power class output current up to 8 A / 14.4V
- Selectable IU charging curve for the living area battery (2, 4 or 8 possible, depending on operating concept)
- D+ evaluation

Model #	Output Current	Max Input Current	Input Voltage	Output Voltage	Reverse Current Caravan Battery				
WA 1208	8 A	9 A	9 to 14,5V DC	14,4V	<0,5mA*	250 gr	169,3 mm	72,2 mm	193 mm

* With ignition off or engine off

MOTORCARAVAN BOOSTER WA

Device for boosting the voltage supplied by the vehicle (chassis) to facilitate charging the living area battery while driving (e.g. EURO6 alternators only supply 13V or less under certain operating conditions).

Contact us for requests. Available options:

- Up to 15V output voltage (adjustable)
- Power class output current typically 25 A (20-30 A), typ. 45 A (max. 70 A)
- Selectable characteristic curves can be any combination of lead-acid, lead-gel, AGM I, AGM II, lithium (CCCV), special customized curve*; IUoU, CC
- D+ controlled
- Bypass switch to facilitate starter battery charging when the connected electroblock is in grid mode
- Charging voltage temperature compensation
- Bus connection via LIN (CI bus), SDTBUS (Schaudt bus) or CAN (RV-C)*, CAN with RV-C on request*
- Adjustable / curve-controlled charging current limitation / power limitation
- Overheating protection
- Connectors of all ports can be defined by OEM



WA 121545 front



WA 121545 back

Model #	Output Current	Max Input Current	Input Voltage	Output Voltage	Reverse Current Caravan Battery				
WA 121545	Up to 70 A	65 A	12 to 15V	14,7V**	<0,2mA*	1,18 kg	72,2 mm	169,3 mm	193 mm
WA 121525	25 to 30 A	28 A	12 to 15V	14,7V**	<0,2mA*	0,35 kg	55 mm	148 mm	95 mm

* With ignition off or engine off

** Up to 15,0 (WA 121545) / 15,1 (WA121525) volts depending on battery temperature and selected battery type



HIGH-CURRENT MODULE

This device will significantly increase the available power for features such as light controls with dimming function, fixed inverters, video and audio systems with high-quality displays, as well as kitchen appliances, such as microwaves, ovens and dishwashers.

Contact us for requests. Available options:

- Connecting and using inverters in motorcaravans in particular is increasingly presenting major challenges with regard to the capacity and ability to charge the connected batteries
- Screw terminals with M8 stud bolts to be connected to the batteries and to an inverter and / or external charger
- Electric circuits with separate fuse protection to supply other consumers; these circuits are also controlled via the main switch on the operating and control panel
- Battery disconnect relay with up to 250 A continuous load (300 A intermittently)
- Interface to bus systems
- Special electro block systems without an internal charging amplifier are available for the 12V distribution. This allows extremely powerful third party supplier chargers to be connected and integrated into the motorhome's 12V system



HSM 01

POWER ON BOARD

Model #	Output Current	Max Input Current	Input Voltage	Output Voltage	🛒	↕ W	↕ H	↕ D
HSM 01	250/300 A	250/300 A	9 to 14,5V	14,4V	3,100 gr	327 mm	272 mm	893 mm

OPERATION & DISPLAY PANELS

Panels are designed to display vehicle data (tank levels, currents, operating states, status messages, temperatures, etc). Some panels allow operation of Lippert devices and systems and control / switching of third-party devices and systems.

Contact us for requests. Available options:

- Indication and operation options:
 - touchscreen display or color display
 - operated by rotary pushbutton
- Analog indication via LED bars (rectangular, round, almost any scale design possible)
- Operation via touchscreen sensor panels can also be realized without controller
- Operation via mechanical on / off switches
- Vehicle manufacturer logo on front panel
- Customized display pages include, but are not limited to: living area, starter battery voltage, charging current and water / wastewater tank levels
- Control of external devices (panels with display only), e.g. heating, air conditioning, lighting systems (controllable dimming and color)
- Direct water pump and direct consumer switching
- Grid voltage present display (shore power)
- Status message display
- Fault code display (bus systems only)
- Parameter setting (e.g. battery curve (bus systems only)
- Parallel cabling on EBL
- Bus connection via LIN (CI bus), SDTBUS (Schaudt bus), CAN or CAN (RV-C), CAN and CAN with RV-C
- 12V DC power supply (24V DC on request)
- Back-printed acrylic front panel
- Powder-coated and printed aluminum front panel
- Display panels with frame and concealed fasteners
- Screw or clip fasteners
- Customized dimensions
- Many design options (format, layout, colors, etc.)



LT 418



LT 316



Example of customer-designed panel



LAS BATTERY CHARGERS

Device for boosting the voltage supplied by the vehicle (towing vehicle) to facilitate charging the living area battery while driving (supply voltage drop via the trailer socket can be very high).

Contact us for requests. Available options:

- Grid supply 230V AC
- Networking of all chargers (EBL internal charger, auxiliary charger, solar charge controller) via special bus (SynCharge) for centralized control
- Bus connection via LIN (CI bus), SDTBUS (Schaudt bus) or CAN (RV-C), CAN with RV-C on request
- Selectable characteristic curves can be any combination of: lead-acid, lead-gel, AGM I, AGM II, LiFePo4, special customized curve; IUoU, CC
- Overheating and overcurrent protection
- Charging currents of max. 18 A
- Operational ambient temperature range between -20 °C to +45 °C
- Connectors of all ports can be defined by OEM



LAS 1218-2 front



LAS 1218-2 back

Model #	📦	↕ H	↔ W	↕ D
LAS 1218-2 Schuko	1 kg	90 mm	148 mm	248 mm
LAS 1218-2 Wago	1 kg	90 mm	148 mm	248 mm
LAS 1218 BUS Schuko (TF 25)	1 kg	90 mm	148 mm	248 mm
LAS 1218 BUS Wago (TF 25)	1 kg	90 mm	148 mm	248 mm



LIS LIGHTING CONTROL SYSTEMS

Lighting control systems for switching and dimming various light sources such as LEDs, RGB stripes, WW/CW stripes and incandescent lamps. One or more channels per device.

Contact us for requests. Available options:

- 1, 2, 4, 10 or 12 light channels in one device
- Output currents per channel up to 5 A
- Bus connection via LIN (CI bus), SDTBUS (Schaudt bus), analog bus (resistor matrix) or CAN (RV-C)*, CAN with RV-C
- Individual control of each channel via conventional keys
- Overcurrent shutdown (electronic)
- Overtemperature shutdown
- Short circuit protection
- Control of RGB stripes with color selection via bus (e.g. color wheel display) or key-actuated operating concepts
- Control of WW/CW stripes with color temperature selection via bus (e.g. color wheel display) or key-actuated operating concepts
- DIP switch programmable dimming lock (e.g. to utilize an output to switch a consumer)
- Fixed or DIP switch programmable bus addresses
- Panels, keys, panels with analog bus (resistor matrix), digital panels
- 12V DC supply
- Total output currents up to 12 A
- Operational ambient temperature range between -20 °C to +45 °C



LIS 101 front



LIS 101 back



LIS 112 front



LIS 112 back

PERIPHERAL DEVICES

Device types available

- Analog / digital interface modules
- Adapter between analog control systems and screen-controlled navigation systems
- Adapter for vehicle controllers
- D+ generation / simulation
- Central furniture locking control
- Overvoltage protection
- Motor controllers for: steps, bed elevation, slide-outs, wipers
- Winter heating circuit
- Battery monitors

Contact us for requests. Available options:

- Control functions
- Monitoring functions (overcurrent, overvoltage, undervoltage)
- Data conversion
- Analog or digital adaptation
- Most functions can be customized
- Other connector types on request
- Operational ambient temperature range between -20 °C to +45 °C
- Overheating protection



ZM 01 (lock control)



EMS 03-5 (step control)



DP 08 (D+ adapter)

OVERVOLTAGE PROTECTOR

An overvoltage protector should be used to protect all devices on board a vehicle operated using 230V AC from overvoltage. It is important to note, particularly when visiting campsites in the Southern Hemisphere, that dislocated power supplies causing such overvoltage occur as a result of defective installations. There is also a risk of overvoltages on ferries and when operating power generators in particular.

- If overvoltage or undervoltage occurs, (U_{eff}: <175V AC, >265V AC), cut-off occurs within 10 milliseconds
- The devices remain switched off until the mains voltage is normal
- Simply connected downstream of the motorhome's power plug (CEE)
- All devices supplied with mains voltage are protected



OVP 01 front



OVP 01 back

Model #	Total Current	Voltage	🛒	↕ H	↕ W	↕ D
OVP 01	10 A	230V	1,15 kg	73 mm	170 mm	193 mm



ACCESSORIES



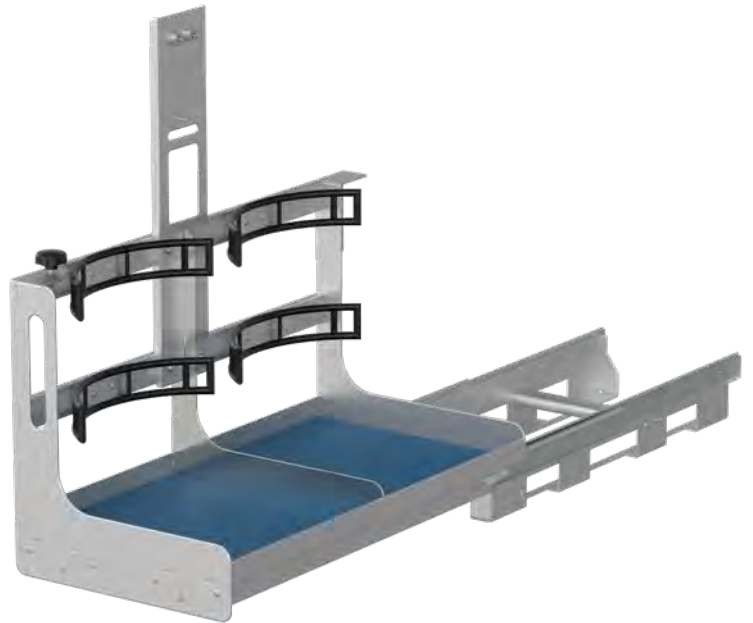


Lippert offers a number of specialty accessories to maximize functionality on any caravan or campervan and turn it into a customized living space. Check out our propane and gas tank holders, furniture fittings and more.

GASSY

Propane tank sliding storage tray

- Holds two propane tanks up to 300 mm in diameter
- Convenient slide-out design makes changing propane bottles easy
- Equipped with magnets and a locking pin for stability during travel
- Mounts directly to the vehicle floor with self-tapping screws
- Easily secure the tank with the nylon cinching strap
- Tank spacer creates 30 mm of space between propane tanks to prevent rubbing and rattling (sold separately)
- Durable steel frame provides heavy-duty support



Sliding tray shown installed in cabinet (cabinet and tanks not included)



Tank spacer



Replacement tank holder with spacer

Description	Holds	↕ Bottle Width	↕ Width	📦	📦
Propane tank storage tray	Two propane bottles	300 mm	--	16,6 kg	40 kg
Propane tank spacer	--	--	30 mm	--	--
Replacement tank holder with spacer	--	250 mm	--	--	--
Replacement tank holder with spacer	--	310 mm	--	--	--

TOWELY

Hand towel holder

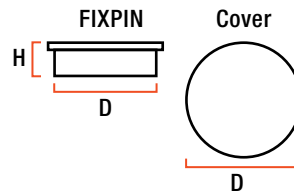
- Steel construction with a durable chrome finish
- Installation hardware not included



↕ W	↕ H	📦
430 mm	205 mm	0,36 kg

PANEL CONNECTORS

- Replaces broken connectors on furniture
- Ideal for connecting furniture panels, cabinets and beds
- Use with furniture cam bolts (not included)
- Covers provide a finished look
- Constructed with durable beige-brown plastic
- Other colors available upon request



Name	↕ D	↕ H
FIX1PIN	26 mm	8 mm
FIX1PIN Cover	32,5 mm	--
FIX2PIN	26 mm	8 mm
FIX2PIN Cover	32,5 mm	--

FURNITURE FITTING

- Plastic angle is ideal for stabilizing and connecting furniture components
- No-hassle installation and adjustment
- Double screw holes for secure screw-on application
- Constructed with durable beige-brown plastic



Name	↕ Height	↕ Width	↕ Depth
Fitting for furniture	20 mm	42 mm	20 mm

STABILIZING JACK

- Stabilizing jacks help keep your trailer or camper level and steady
- Drop leg extends for convenient height adjustment
- Steel handle allows for easy height adjustment
- Large foot provides added stability
- Galvanized steel construction to be strong and corrosion-resistant
- Includes two jacks and one handle (hardware not included)



Includes	↕ Retracted Height	↕ Extended Height
Jacks and splint	290 mm	450 mm
Jacks and splint	390 mm	550 mm



LIPPERT

FOLLOW US
QR CODES

**POP UP
YOUR VAN**

lippertmotorhomes.eu



COMPANY PROFILE

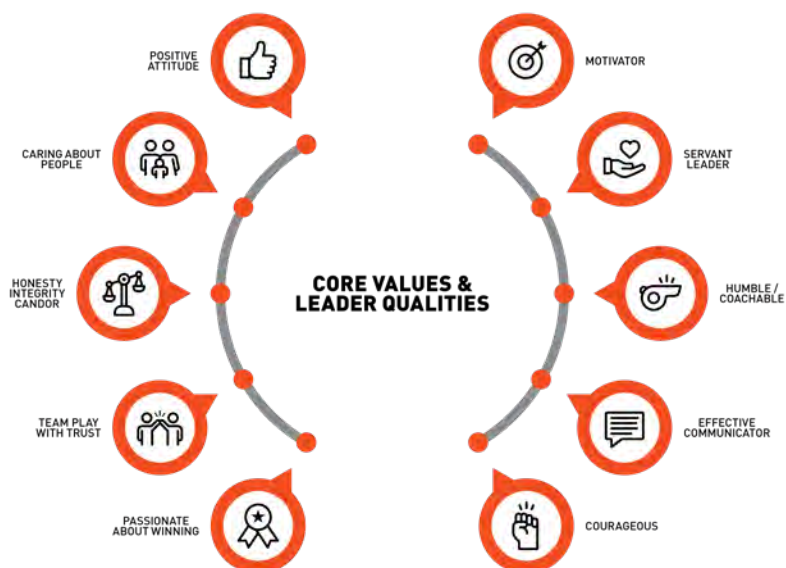
Guided by three generations of family leadership, Lippert has grown tremendously over the last several decades. Founded in 1956 by Larry Lippert, the company began as a galvanized and aluminum roofing business for the manufactured housing industry. Today, Lippert has evolved into an industry leader of premium components to the recreational vehicle, marine, automotive, commercial vehicle and building products industries.

VISION:

Make business a force for good in the world.

MISSION:

Making lives better by developing meaningful relationships with co-workers, customers and the community.



5.2 BILLION

**IN ANNUAL
SALES***

*Trailing Twelve Months
(12/31/22)

140+

FACILITIES

In 22 states, Canada, The United Kingdom, Ireland, Italy, Germany, The Netherlands, Tunisia, India, Mexico, Hong Kong and China.

*As of 12/31/22



WHENEVER, WHEREVER,
WE MAKE YOUR EXPERIENCE BETTER.™

LCI Italy S.r.l.
Via Etruria 1 | 50026 San Casciano Val di Pesa (FI) Italy
Connect With Us | lippertcomponents.eu/contact