



# RANCH HAND®

**2024 CATALOG & APPLICATION GUIDES**



**INTENTIONALLY LEFT BLANK  
FOR TWO-PAGE VIEWING**



# EVERYTHING YOU NEED

## TO ENJOY THE ROAD AHEAD

  
curtmfg.com

 **RANCH  
HAND**  
ranchhand.com

 **ARIES**  
ariesautomotive.com

**LUVERNE**  
luvernetruck.com

 **UWS**  
uwsta.com

**RETRAC**  
retracmirrors.com



 **LIPPERT**

Lippert is a leading, global manufacturer and supplier of highly engineered products and customized solutions dedicated to shaping, growing and bettering the RV, marine, automotive, commercial vehicle and building products industries. We combine our strategic manufacturing capabilities with the power of our winning team culture to deliver unrivaled customer service, award-winning innovation and premium products to every industry and person we serve.

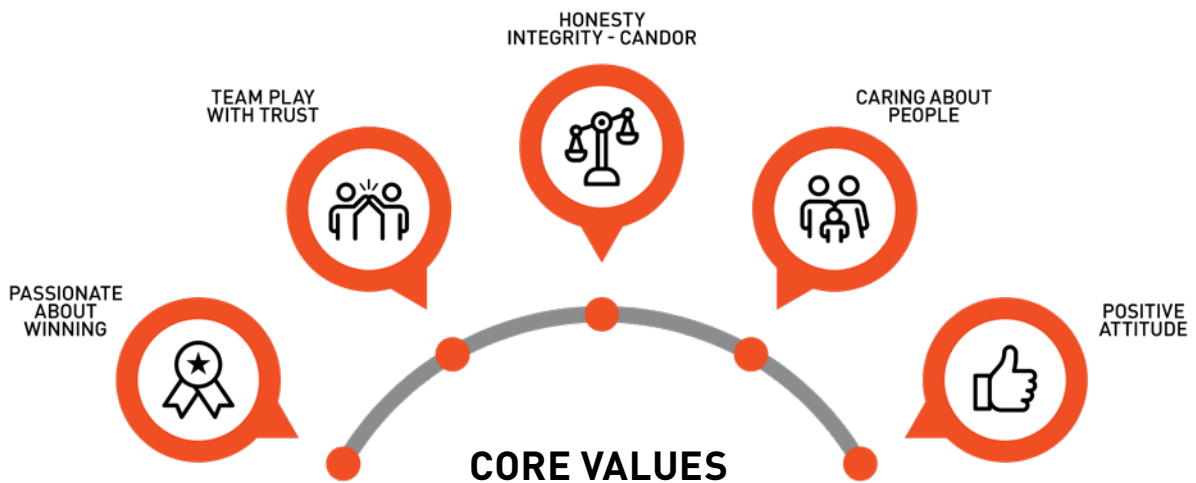


# BUSINESS AS A FORCE FOR GOOD



## OUR VISION: TO BE A FORCE FOR GOOD IN THE WORLD

Since 2016, Lippert has focused on designing a cultural foundation from which our success is based, and it stems from one simple driving force: At Lippert, Everyone Matters. From the shop floor to the C-suite, we simply care about people. Our culture is grounded in our five core values that we practice in our business every day.



### OVER SIX YEARS OF IMPACT



**2,000+**  
non-profits served



**800,000+**  
volunteer hours



**\$2,000,000+**  
annually donated to charity





# RANCH HAND®

## WHAT SETS US APART.

Our priority is that you, your family and your vehicle are protected from the unpredictable. We've built a reputation for hand crafting the toughest products that are meticulously engineered for durability. Ride in comfort and style knowing that you're safe behind the strength of our hand fabricated steel bumpers.



**MIDNIGHT™  
SERIES**



04

**LEGEND™  
SERIES**



18

**SUMMIT™  
SERIES**



46

**SPORT™  
SERIES**



56



# MIDNIGHT™ SERIES







# SEIZE THE DAY & RULE THE NIGHT.

The Midnight™ series is built for those who go hard at everything they do, from the jobsite to the late-night and everything in between. Featuring a futuristic, form-fitted and robust design that is tailored to fit your truck like a glove, the Midnight™ series is made for those who press forward during the day and delight in the late-night.



# MIDNIGHT™ FRONT BUMPER WITH GRILLE GUARD

## Product Details

- Custom, form-fitted and lightweight design with a modern, futuristic style
- 7-gauge sheet metal bumper with 1/4" steel brackets
- Welded grille guard with 12-gauge thick tubing for enhanced protection
- Perforated 12-gauge inserts provide protection to LED lights, light bar and grille
- Corrosion-resistant, 3/5mm thick, black carbide powder coat finish with liquid-A coat
- Accepts 32" light bar on trucks without sensors and 26" on trucks with sensors
- Retains factory fog lights or accepts 2" lights (tow hooks must be removed)
- Lower cutout for increased airflow to the engine bay
- Removable insert available to accommodate most front-facing cameras and sensors
- Black anodized stainless steel bolts for inserts
- Angled side wings provide increased wheel and ground clearance for off-road use
- Prominent Ranch Hand logo superimposed over a polished aluminum plate

See page 12 for application information



## Hustle during the day. Revel through the night.



Built tough with 7-gauge smooth steel and form-fitted for a sleek, modern design. Includes 1/4" thick mounting brackets and 12-gauge perforated steel inserts



The fully-integrated grille guard features 12-gauge tubing that provides enhanced protection and safeguards the front-end from brush and road-debris



Features angled wings that provide extra wheel and ground clearance for off-road excursions and a lower cut-out for increased airflow to the engine

## Finish & Material

**Finish:**  
A-coat and carbide black powder coat

**Material:**  
Carbon steel





Ram 1500



Silverado 1500



# MIDNIGHT™ FRONT BUMPER

## Product Details

- Custom fit, form-fitted and lightweight design with a modern, futuristic style
- 7-gauge smooth steel structure with 1/4" mounting brackets
- Perforated 12-gauge inserts provide protection to LED lights and light bar
- Corrosion-resistant, 3/5mm thick, carbide black powder coat finish
- Accepts 32" light bars on trucks without sensors and 26" on trucks with sensors
- Retains factory fog lights or accepts 2" lights (tow hooks must be removed)
- Angled side wings provide increased wheel and ground clearance for off-road use
- Lower cutout for increased airflow to the engine bay
- Compatible with front-facing cameras and sensors
- Black anodized stainless steel bolts for inserts

See page 12 for application information



## Designed to make a statement — day or night.



Perforated 12-gauge inserts provide protection to fog-lights and light-bars. Smooth 7-gauge steel provides tough yet light-weight protection for any adventure



Accepts a 26" or 32" light bar (depending on sensors); OEM fog lights or two 2" x 2" LED lights per side, and its inserts are removable to accommodate OEM cameras



Features angled wings that provide extra wheel and ground clearance for off-road excursions and a lower cut-out for increased airflow to the engine

## Finish & Material

**Finish:**  
A-coat and carbide black powder coat

**Material:**  
Carbon steel





Chevrolet 1500



Ford F-150



# MIDNIGHT™ REAR BUMPER

## Product Details

- Form fitted and lightweight design with a modern, futuristic style
- 7-gauge smooth steel with 12-gauge inserts, 1/4" brackets and 3/4" shackles
- Corrosion-resistant, 3/5mm thick, carbide black powder coat finish
- Lightweight yet tough with improved strength through design and fabrication
- Incorporates spare tire lock cover
- Enables convenient access to factory receiver hitch
- Allows re-use of OEM trailer plug adapter
- Accommodates shackle brackets, LED license plate lights and integrated reverse lights (non-flush with floating mounts)
- Compatible with #LEDLICENSELIGHT
- Compatible with rear-facing sensors
- Perforated 12-gauge inserts provide protection to LED lights
- Angled wings for increased ground clearance
- Integrated cut-out for 7-way trailer socket

See page 12 for application information



## Modern style and robust rear protection.



Hand fabricated with smooth, 7-gauge steel and 1/4" steel mounting brackets for unbeatable strength and durability



The form-fitted style matches the Midnight front bumper and provides a tailored fit along with a sophisticated yet sporty and bold style



The perforated 12-gauge steel inserts protect LED lights and the robust 3/4" shackle brackets are dependable for towing or recovery

## Finish & Material

**Finish:**  
A-coat and carbide black powder coat

**Material:**  
Carbon steel





Ram Bighorn





Scan for current applications  
or visit [ranchhand.com](http://ranchhand.com)



## MIDNIGHT™ SERIES APPLICATION GUIDE

### Midnight Series Bumpers

Make / Model	Style	Years	Part #	Product Description	Retains			
					Parking Sensors	Front Camera	Tow Hooks	Fog Lights
<b>Chevrolet</b>								
Silverado 1500	Excluding diesel	19 - 21	MFC19HBM1	Front Bumper with Grille Guard	Yes	--	No	Yes
		19 - 21	MFC19HBMN	Front Bumper	Yes	--	No	Yes
		19 - 21	MBC19HBMSL	Rear Bumper	Yes	--	--	--
Silverado 1500 LTD	Excluding diesel	22 - 22	MFC19HBM1	Front Bumper with Grille Guard	Yes	--	No	Yes
		22 - 22	MFC19HBMN	Front Bumper	Yes	--	No	Yes
		22 - 22	MBC19HBMSL	Rear Bumper	Yes	--	--	--
Silverado 2500 / 3500 HD	--	20 - 24	MFC201BM1	Front Bumper with Grille Guard	Yes	Yes	Yes	Yes
		20 - 24	MFC201BMN	Front Bumper	Yes	Yes	Yes	Yes
		20 - 24	MBC201BMSL	Rear Bumper	Yes	--	--	--
		15 - 19	MFC151BM1	Front Bumper with Grille Guard	Yes	--	No	Yes
		15 - 19	MFC151BMN	Front Bumper	Yes	--	No	Yes
15 - 19	MBC151BMSL	Rear Bumper	Yes	--	--	--		
<b>Dodge</b>								
Ram 2500 / 3500	--	10 - 10	MFD101BM1	Front Bumper with Grille Guard	Yes	--	No	Yes
		10 - 10	MFD101BMN	Front Bumper	Yes	--	No	Yes
		10 - 10	MBD101BMSL	Rear Bumper	Yes	--	--	--
<b>Ford</b>								
F-150	--	18 - 20	MFF18HBM1	Front Bumper with Grille Guard	Yes	Yes	No	Yes
		18 - 20	MFF18HBMN	Front Bumper	Yes	Yes	No	Yes
		15 - 23	MBF15HBMSL	Rear Bumper	Yes	--	--	--
F-250 / F-350 Super Duty	--	17 - 22	MFF201BM1	Front Bumper with Grille Guard	Yes	Yes	No	Yes
		17 - 22	MFF201BMN	Front Bumper	Yes	Yes	No	Yes
		17 - 22	MBF201BMSL	Rear Bumper	Yes	--	--	--



## Midnight Series Bumpers

Make / Model	Style	Years	Part #	Product Description	Retains			
					Parking Sensors	Front Camera	Tow Hooks	Fog Lights
<b>GMC</b>								
Sierra 1500	Excluding diesel	19 - 21	MFG19HBM1	Front Bumper with Grille Guard	Yes	--	No	Yes
		19 - 21	MFG19HBMN	Front Bumper	Yes	--	No	Yes
		19 - 21	MBC19HBMSL	Rear Bumper	Yes	--	--	--
Sierra 1500 Limited	Excluding diesel	22 - 22	MFG19HBM1	Front Bumper with Grille Guard	Yes	--	No	Yes
		22 - 22	MFG19HBMN	Front Bumper	Yes	--	No	Yes
		22 - 22	MBC19HBMSL	Rear Bumper	Yes	--	--	--
Sierra 2500 / 3500 HD	--	20 - 24	MFG201BM1	Front Bumper with Grille Guard	Yes	--	Yes	Yes
		20 - 24	MFG201BMN	Front Bumper	Yes	--	Yes	Yes
		20 - 24	MBC201BMSL	Rear Bumper	Yes	--	--	--
		15 - 19	MFG151BM1	Front Bumper with Grille Guard	Yes	--	No	Yes
		15 - 19	MFG151BMN	Front Bumper	Yes	--	No	Yes
		15 - 19	MBC151BMSL	Rear Bumper	Yes	--	--	--
<b>Ram</b>								
1500	Excluding diesel	19 - 24	MFD19HBM1	Front Bumper with Grille Guard	Yes	--	No	Yes
		19 - 24	MFD19HBMN	Front Bumper	Yes	--	No	Yes
	Side exhaust only	19 - 24	MBD19HBMSL	Rear Bumper	Yes	--	--	--
	Rear exhaust only	19 - 24	MBD19HBMSLE	Rear Bumper	Yes	--	--	--
2500 / 3500	--	19 - 24	MFD191BM1	Front Bumper with Grille Guard	Yes	Yes	No	Yes
		19 - 24	MFD191BMN	Front Bumper	Yes	Yes	No	Yes
		19 - 24	MBD191BMSL	Rear Bumper	Yes	--	--	--
	Excluding Tradesman	11 - 18	MFD101BM1	Front Bumper with Grille Guard	Yes	--	No	Yes
		11 - 18	MFD101BMN	Front Bumper	Yes	--	No	Yes
<b>Toyota</b>								
Tacoma	--	16 - 23	MFT16MBM1	Front Bumper with Grille Guard	Yes	No	Yes	Yes
		16 - 23	MFT16MBMN	Front Bumper	Yes	Yes	Yes	Yes
		16 - 23	MBT16MBMSL	Rear Bumper	Yes	--	--	--
Tundra	--	14 - 21	MFT14HBM1	Front Bumper with Grille Guard	Yes	No	Yes	Yes
		14 - 21	MFT14HBMN	Front Bumper	Yes	Yes	Yes	Yes
		14 - 21	MBT14HBMSL	Rear Bumper	Yes	--	--	--



# 3"

# MIDNIGHT™ RUNNING STEPS

# NEW

## Product Details

- Textured carbide black powder coat finish
- Co-cured in industry-leading, rust-resistant, liquid A-coat
- 14-gauge 3" top pipe and 1-1/2" loop pipe for enhanced rigidity
- Truck-specific step configuration to match door layout and maximize safety
- 4" wide steps for comfortable entry and exit
- 12-gauge, punched steel foot plates with raised, high-traction treads
- Prominent Ranch Hand cowboy logo cut into each front step
- 3/16" thick brackets with truck-specific mounting points for easy installation
- Available in 4-step and 6-step configurations for easy access into extended cabs and truck beds
- Designed, cut, fabricated, welded and finished in the USA

See page 16 for application information



## Step up into your rig with confidence and style.



Ranch Hand running steps are constructed from 3" tubing and 3/16" thick brackets to secure the steps to the vehicle in the factory location without the need to drill extra holes



The front step plate is cut with the official Ranch Hand logo and features a 12-gauge punched pattern of raised steel treads to promote dependable traction



The steps are 4" wide, providing a spacious platform for comfortable entry and exit. Each set features 1-1/2" loop pipes for enhanced rigidity

## Finish & Material

**Finish:**  
A-coat and carbide black powder coat

**Material:**  
Carbon steel





Silverado 1500





Scan for current applications  
or visit [ranchhand.com](http://ranchhand.com)

## MIDNIGHT™ RUNNING STEPS APPLICATION GUIDE

### Midnight Series Running Steps

Make / Model	Years	Cab Length	Bed Length	Bed Type	Part #	Steps	Step Length
<b>Chevrolet</b>							
Silverado 1500	19 - 24	Crew	--	--	MRSC191C1B4S	4-step	Cab length
	19 - 24	Crew	6' 6"	Standard	MRSC191C6B6S	6-step	Wheel-to-Wheel
	07 - 18	Crew	--	--	MRSC071C1B4S	4-step	Cab length
	07 - 18	Crew	6' 6"	Standard	MRSC071C6B6S	6-step	Wheel-to-Wheel
Silverado 1500 LTD	22 - 22	Crew	--	--	MRSC191C1B4S	4-step	Cab length
	22 - 22	Crew	6' 6"	Standard	MRSC191C6B6S	6-step	Wheel-to-Wheel
Silverado 2500 HD	20 - 24	Crew	--	--	MRSC191C1B4S	4-step	Cab length
	20 - 24	Crew	6' 9"	Standard	MRSC191C6B6S	6-step	Wheel-to-wheel
	07 - 19	Crew	--	--	MRSC071C1B4S	4-step	Cab length
	07 - 19	Crew	6' 6"	Standard	MRSC071C6B6S	6-step	Wheel-to-wheel
Silverado 3500 HD	20 - 24	Crew	--	--	MRSC191C1B4S	4-step	Cab length
	20 - 24	Crew	6' 9"	Standard	MRSC191C6B6S	6-step	Wheel-to-wheel
	07 - 19	Crew	--	--	MRSC071C1B4S	4-step	Cab length
	11 - 19	Crew	6' 6"	Standard	MRSC071C6B6S	6-step	Wheel-to-wheel
<b>Dodge</b>							
Ram 1500	09 - 10	Crew	--	--	MRSD091C1B4S	4-step	Cab length
Ram 2500	10 - 10	Crew	6' 4"	--	MRSD101C6B6S	6-step	Wheel-to-wheel
	10 - 10	Crew	8'	Standard	MRSD101C8B6S	6-step	Wheel-to-wheel
	09 - 10	Crew	--	--	MRSD091C1B4S	4-step	Cab length
	10 - 10	Extended Crew	6' 4"	Standard	MRSD101M6B6S	6-step	Wheel-to-wheel
Ram 3500	10 - 10	Crew	6' 4"	Standard	MRSD101C6B6S	6-step	Wheel-to-wheel
	10 - 10	Crew	8'	Standard	MRSD101C8B6S	6-step	Wheel-to-wheel
	09 - 10	Crew	--	--	MRSD091C1B4S	4-step	Cab length
	10 - 10	Extended Crew	6' 6"	Standard	MRSD101M6B6S	6-step	Wheel-to-wheel



## Midnight Series Running Steps

Make / Model	Years	Cab Length	Bed Length	Bed Type	Part #	Steps	Step Length
<b>Ford</b>							
F-150	15 - 23	Crew	--	--	MRSF151C1B4S	4-step	Cab length
	15 - 23	Crew	6' 6"	Standard	MRSF171C6B6S	6-step	Wheel-to-wheel
	15 - 22	Extended	6' 6"	Standard	MRSF151S6B6S	6-step	Wheel-to-wheel
	15 - 22	Extended	8'	Standard	MRSF171S8B6S	6-step	Wheel-to-wheel
F-150 Lightning	22 - 23	Crew	--	--	MRSF151C1B4S	4-step	Cab length
F-250 Super Duty	17 - 24	Crew	--	--	MRSF151C1B4S	4-step	Cab length
	17 - 24	Crew	6' 9"	Standard	MRSF171C6B6S	6-step	Wheel-to-wheel
	17 - 24	Crew	8'	Standard	MRSF171C8B6S	6-step	Cab length
	17 - 24	Extended	6' 9"	Standard	MRSF151S6B6S	6-step	Wheel-to-wheel
	17 - 24	Extended	8'	Standard	MRSF171S8B6S	6-step	Wheel-to-wheel
F-350 Super Duty	17 - 24	Crew	--	--	MRSF151C1B4S	4-step	Cab length
	17 - 24	Crew	6' 9"	Standard	MRSF171C6B6S	6-step	Wheel-to-wheel
	17 - 24	Crew	8'	Standard	MRSF171C8B6S	6-step	Wheel-to-wheel
	17 - 24	Crew	8'	Dually	MRSF17DC8B6S	6-step	Wheel-to-wheel
	17 - 24	Extended	6' 5"	Standard	MRSF151S6B6S	6-step	Wheel-to-wheel
	17 - 24	Extended	8'	Standard	MRSF171S8B6S	6-step	Wheel-to-wheel
F-450 Super Duty	17 - 24	Crew	--	--	MRSF151C1B4S	4-step	Cab length
	17 - 24	Crew	8'	Dually	MRSF17DC8B6S	6-step	Wheel-to-wheel
<b>GMC</b>							
Sierra 1500	19 - 24	Crew	--	--	MRSC191C1B4S	4-step	Cab length
	19 - 24	Crew	6' 6"	Standard	MRSC191C6B6S	6-step	Wheel-to-Wheel
	07 - 18	Crew	--	--	MRSC071C1B4S	4-step	Cab length
	07 - 18	Crew	6' 6"	Standard	MRSC071C6B6S	6-step	Wheel-to-Wheel
Sierra 1500 Limited	22 - 22	Crew	--	--	MRSC191C1B4S	4-step	Cab length
	22 - 22	Crew	6' 6"	Standard	MRSC191C6B6S	6-step	Wheel-to-Wheel
Sierra 2500 HD	20 - 24	Crew	--	--	MRSC191C1B4S	4-step	Cab length
	20 - 24	Crew	6' 9"	Standard	MRSC191C6B6S	6-step	Wheel-to-wheel
	07 - 19	Crew	--	--	MRSC071C1B4S	4-step	Cab length
	07 - 19	Crew	6' 5"	Standard	MRSC071C6B6S	6-step	Wheel-to-wheel
Sierra 3500 HD	20 - 24	Crew	--	--	MRSC191C1B4S	4-step	Cab length
	20 - 24	Crew	6' 9"	Standard	MRSC191C6B6S	6-step	Wheel-to-wheel
	07 - 19	Crew	--	--	MRSC071C1B4S	4-step	Cab length
	11 - 19	Crew	6' 5"	Standard	MRSC071C6B6S	6-step	Wheel-to-wheel
<b>Ram</b>							
1500	19 - 24	Crew	--	--	MRSD19HC1B4S	4-step	Cab length
	11 - 18	Crew	--	--	MRSD091C1B4S	4-step	Cab length
	11 - 18	Crew	6' 4"	Standard	MRSD101C6B6S	6-step	Wheel-to-wheel
1500 Classic	19 - 23	Crew	--	--	MRSD091C1B4S	4-step	Cab length
	19 - 23	Crew	6' 4"	Standard	MRSD101C6B6S	6-step	Wheel-to-wheel
2500	11 - 24	Crew	--	--	MRSD091C1B4S	4-step	Cab length
	11 - 24	Crew	6' 4"	Standard	MRSD101C6B6S	6-step	Wheel-to-wheel
	11 - 24	Crew	8'	Standard	MRSD101C8B6S	6-step	Wheel-to-wheel
	11 - 24	Extended Crew	6' 4"	Standard	MRSD101M6B6S	6-step	Wheel-to-wheel
3500	11 - 24	Crew	--	--	MRSD091C1B4S	4-step	Cab length
	11 - 24	Crew	6' 4"	Standard	MRSD101C6B6S	6-step	Wheel-to-wheel
	11 - 24	Crew	8'	Standard	MRSD101C8B6S	6-step	Wheel-to-wheel
	11 - 24	Extended Crew	6' 4"	Standard	MRSD101M6B6S	6-step	Wheel-to-wheel



# LEGEND™

## SERIES







# WHAT MAKES A LEGEND?

Legends aren't born — they're made. The Legend™ series is made for those who work hard. Fabricated by hand in Shiner, Texas, the Legend™ series is built tough and makes a statement that signals dependability and punctuality. It's an icon — it makes a lasting impression, protects and gives you one less thing to worry about when on the road.



# LEGEND™ FRONT BUMPER WITH GRILLE GUARD

## Product Details

- The original, heavy-duty, 'ranch-style' front bumper made for hardworking trucks
- Built from 4" schedule-40 pipe and diamond-plate steel for dependable strength
- One-piece welded fabrication prevents rattling, while perforated 12-gauge steel protects the truck grille from brush and road debris
- Constructed with 5/16" uprights for high-tensile strength and durability
- Frame-mounted in four locations to reduce vibration and ensure a secure fit
- Comes standard with 2" receiver for tow hook, winch mount or other attachments
- Super polyester black powder coat finish for superior corrosion resistance
- Retains factory fog lights and tow hooks, if equipped, on most vehicles
- Compatible with front-facing sensors (Options available to accommodate front-facing cameras)
- Vehicle-specific mesh pattern for OE look

See page 30 for application information



## Built for hard work and the ranching lifestyle.



The Legend front bumper with grille guard is the original, heavy-duty, "ranch style" front bumper, and is built to handle the day-to-day rigors of a hardworking truck.



Features thick 4" schedule-40 pipe that fully contours and protects the front end and thick, diamond-plate steel that provides solid, reliable strength.



The bumper and grille guard are fully welded together as one piece with no expanded metal, eliminating the rattling that occurs with modular bumpers.

## Finish & Material

**Finish:**  
Gloss black powder coat

**Material:**  
Carbon steel





**Chevrolet 3500HD**



**Ram 3500 Longhorn**



# LEGEND™ BULLNOSE FRONT BUMPER

## Product Details

- The original, heavy-duty, 'ranch-style' front bumper made for hard-working trucks
- Features 2" thick, 12-gauge bullnose for increased protection
- Constructed with 5/16" uprights for high-tensile strength and durability
- Contoured skirts to protect the underside of the truck
- Built from 4" schedule-40 pipe and diamond-plate steel for dependable strength
- One-piece welded fabrication prevents rattling and loosening of pieces
- Frame-mounted in four locations to reduce vibration and ensure a secure fit
- Comes standard with 2" receiver for tow hook, winch mount or other attachments
- Super polyester black powder coat finish for superior corrosion resistance
- Retains factory fog lights and tow hooks, if equipped, on most vehicles
- Compatible with front-facing cameras and sensors
- Includes light mounting tabs and license plate mounting holes

See page 30 for application information



## Add serious style and attitude to your truck.



The Legend bullnose front bumper features thick, 2" 12-gauge tubing and is designed with off-road, Baja style and contoured skirts for improved tire clearance.



Features thick, 4" schedule-40 pipe that fully contours and protects the front end and thick diamond-plate steel that provides solid, reliable strength.



Features a standard 2" receiver for towing or mounting a winch or other accessories, and includes tabs for mounting lights and pre-drilled license plate holes.

## Finish & Material

**Finish:**  
Gloss black powder coat

**Material:**  
Diamond-plate steel





Chevrolet 2500HD



Ford F-250



# LEGEND™ REAR BUMPER

## Product Details

- The original, heavy-duty, 'ranch-style' rear bumper made for hardworking trucks
- Built from 4" schedule-40 pipe and diamond-plate steel for dependable strength
- Tested for 10,000 lbs. towing capacity and 1,000 lbs. tongue weight (select models only rated for 5,000 lbs.)
- Do not exceed vehicle towing capacity
- Super polyester black powder coat finish for superior corrosion resistance
- Optional bolt-on receiver hitch #RHUOO1BLB (see page 28)
- Select models come standard with LED lights
- Integrated cut-out for 6- or 7-way trailer socket (varies by model)

See page 30 for application information



## Built to tackle any tough job that comes its way.



The Legend is the original, heavy-duty, "ranch style" rear bumper and is built to handle the day-to-day rigors of working on the ranch or job site.



Features thick, 4" schedule-40 pipe that fully contours and protects the rear end and thick diamond-plate steel that provides solid, reliable strength.



This rear bumper is V-5 tested up to 10,000 lbs. towing capacity (5,000 lbs. on select models) with an optional bolt-on receiver hitch (#RHUOO1BLB, see page 28).

## Finish & Material

**Finish:**  
Gloss black powder coat

**Material:**  
Carbon steel





Ford F-250





# LEGEND™ GRILLE GUARD

## Product Details

- Constructed from 12-gauge steel tubing and 5/16" uprights for unmatched strength
- One-piece welded fabrication prevents rattling and perforated 12-gauge steel protects the truck grille
- Frame-mounted in four locations to reduce vibration and ensure a secure fit
- Custom punched grille inserts to match truck manufacturer's grille pattern
- Wraparound brush guards for greater front-end coverage and a streamlined look
- Super polyester black powder coat finish for superior corrosion resistance
- Compatible with front-facing sensors (Options available to accommodate front-facing cameras)
- Vehicle-specific mesh pattern for OE look

See page 30 for application information



## The toughest grille guard around.



Made with 12-gauge tubing and 5/16" uprights for high tensile strength that provides unrivaled toughness and durability



Fully-welded into one piece with no expanded metal, eliminating the troublesome rattling that occurs with modular grille guards



Frame-mounted in four locations for a secure fit and features custom punched grille inserts to match the truck's grille pattern

## Finish & Material

**Finish:**  
Gloss black powder coat  
**Material:**  
Carbon steel





Ram 1500



Ford F-250 Super Duty





# BUMPER ACCESSORIES

## 6" Oval LED Light

- Designed for use as a back-up light or flood light for extra night-time visibility
- 6" wide, flush-mount style flood light with oval design provides improved rear visibility
- Constructed with LEDs for bright, long-lasting light
- Fitted with blunt-cut wires to be readily installed
- Includes one LED light only

Part #	Fits
LEDLIGHTCLEAR	Select Legend and Sport rear bumpers



LEDLIGHTCLEAR



## 2" Bolt-On Bumper Hitch Receiver Tube

- Rated for 10,000 lbs. GTW and 1,000 lbs. TW
- Standard 2" receiver tube accepts a ball mount, tow hook or other accessories
- Weight capacity limited to the lowest-rated component of the towing system

Part #	Fits
RHU001BLB	Legend rear bumper



RHU001BLB



## Universal Rubber Upright Pads

- Rubber stripping to protect grille guard uprights and finish
- Constructed from tough black rubber
- Easy, friction-fit installation
- Includes two rubber strips

Part #	Fits
RUPU	Legend grille guard and Legend, Summit and Sport front bumpers with grille guard



RUPU



## LED License Plate Light

- Provides nighttime visibility to license plate
- Fits Ranch Hand rear bumper license plate light hole
- Constructed with LEDs for bright, long-lasting light
- Fitted with blunt-cut wires to be readily installed
- Includes one LED light only



LEDLICENSELIGHT

Part #	Fits
LEDLICENSELIGHT	Midnight, Legend and Sport rear bumpers

## Sensor Relocation Bracket Kits

- Intended for relocating vehicle sensors after grille guard installation
- Strong 14-gauge steel construction
- Includes one relocation bracket, carriage bolts, nuts, pigtails and grommets
- Grille guard sold separately
- Fits select vehicle applications

**See [ranchhand.com](http://ranchhand.com) for application information**







Ford F-250 Super Duty



Toyota Tacoma





Scan for current applications  
or visit ranchhand.com



## LEGEND™ SERIES APPLICATION GUIDE

### Legend Series Bumpers & Grille Guards

Make / Model	Style	Years	Footnote	Part #	Product Description	Lights	Retains			
							Park Sens	Frnt Cam	Tow Hks	Fog Lts
<b>Chevrolet</b>										
Avalanche	--	07 - 13	--	GGC07HBL1	Grille Guard	--	No	No	Yes	Yes
Avalanche 1500 / 2500	Excl. models with cladding	03 - 06	--	GGC06HBL1	Grille Guard	--	No	No	Yes	Yes
Blazer	--	92 - 99	--	FBC881BLR	Front Bumper with Grille Guard	--	No	No	Yes	No
		92 - 99	--	GGC881BL1	Grille Guard	--	No	No	Yes	Yes
C/K 1500	--	88 - 99	--	FBC881BLR	Front Bumper with Grille Guard	--	No	No	Yes	No
		88 - 99	--	GGC881BL1	Grille Guard	--	No	No	Yes	Yes
C/K 2500 / 3500	--	88 - 00	--	FBC881BLR	Front Bumper with Grille Guard	--	No	No	Yes	No
		88 - 00	--	GGC881BL1	Grille Guard	--	No	No	Yes	Yes
Silverado 1500	Excl. ZR2	22 - 23	16	GGC22HBL1	Grille Guard	--	Yes	Yes	Yes	Yes
	--	19 - 21	1	GGC19HBL1C	Grille Guard	--	No	Yes	Yes	Yes
		19 - 21	1	GGC19HBL1	Grille Guard	--	No	No	Yes	Yes
		16 - 18	2	GGC16HBL1	Grille Guard	--	No	No	Yes	Yes
		14 - 15	2	GGC14HBL1S	Grille Guard	--	No	No	Yes	Yes
		07 - 13	--	GGC08HBL1	Grille Guard	--	No	No	Yes	Yes
		03 - 06	--	GGC06HBL1	Grille Guard	--	No	No	Yes	Yes
		99 - 02	--	GGC99HBL1	Grille Guard	--	No	No	Yes	Yes
99 - 06	11, 12, 14	BBC998BLS	Rear Bumper	No	No	--	--	--		
Silverado 1500 Classic	--	07 - 07	--	GGC06HBL1	Grille Guard	--	No	No	Yes	Yes
		07 - 07	11, 12, 14	BBC998BLS	Rear Bumper	No	No	--	--	--
Silverado 1500 LD	--	19 - 19	2	GGC16HBL1	Grille Guard	--	No	No	Yes	Yes
Silverado 1500 LTD	Excl. diesel	22 - 22	1	GGC19HBL1C	Grille Guard	--	No	Yes	Yes	Yes
		22 - 22	1	GGC19HBL1	Grille Guard	--	No	No	Yes	Yes

1. Use PSC19HBL1 for sensor accom.
2. Use PSC16HBL1 for sensor accom.
3. Use PSG19HBL1 for sensor accom.
4. Sport, Express, and Tradesman may require bumper trimming
5. Add'l GGF114BP bolt pack required
6. May trigger parking sensor on Denali

7. Denali requires grille trimming
8. Incl. knock out for engine block heater plug
9. Use PSF19MBP for sensor accommodation
10. Tow rating of 5,000 / 500 lbs.
11. Tow rating of 10,000 / 1,000 lbs.

12. Skirt length 8"
13. Skirt length 10"
14. Retains fact. rec.
15. Does not retain factory receiver
16. Must use PSC22HBL1 for sensor accommodation

17. May require use of PSF231BL1 for sensor accommodation

Applications continued on the following page



Legend Series Bumpers & Grille Guards

Make / Model	Style	Years	Footnote	Part #	Product Description	Lights	Retains			
							Park Sens	Frnt Cam	Tow Hks	Fog Lts
<b>Chevrolet (continued)</b>										
Silverado 1500 HD	--	01 - 06	11, 12, 14	BBC998BLS	Rear Bumper	No	No	--	--	--
Silverado 1500 HD Classic	--	07 - 07	11, 12, 14	BBC998BLS	Rear Bumper	No	No	--	--	--
Silverado 2500	Excl. 2500 HD	99 - 04	11, 12, 14	BBC998BLS	Rear Bumper	No	No	--	--	--
Silverado 2500 HD	--	24 - 24	--	GGC241BL1	Grille Guard	--	Yes	Yes	Yes	Yes
		24 - 24	--	FBC241BLR	Front Bumper with Grille Guard	--	Yes	Yes	Yes	Yes
		20 - 23	--	BTC201BLR	Bullnose Front Bumper	--	Yes	Yes	Yes	Yes
		20 - 23	--	FBC201BLRC	Front Bumper with Grille Guard	--	Yes	Yes	Yes	Yes
		20 - 23	--	FBC201BLR	Front Bumper with Grille Guard	--	Yes	No	Yes	Yes
		20 - 23	3	GGC201BL1C	Grille Guard	--	No	Yes	Yes	Yes
		20 - 23	3	GGC201BL1	Grille Guard	--	No	No	Yes	Yes
		15 - 19	--	BTC151BLR	Bullnose Front Bumper	--	Yes	No	Yes	Yes
		15 - 19	--	FBC151BLR	Front Bumper with Grille Guard	--	Yes	No	Yes	Yes
		15 - 19	--	GGC151BL1	Grille Guard	--	No	No	Yes	Yes
		15 - 19	--	GGC151BLS	Grille Guard	--	Yes	No	Yes	Yes
		11 - 14	--	BTC111BLR	Bullnose Front Bumper	--	No	No	Yes	Yes
		11 - 14	--	FBC111BLR	Front Bumper with Grille Guard	--	No	No	Yes	Yes
		11 - 14	--	GGC111BL1	Grille Guard	--	No	No	Yes	Yes
		11 - 14	11, 13, 14	BBC110BLSL	Rear Bumper	Yes	Yes	--	--	--
		07 - 10	--	BTC081BLR	Bullnose Front Bumper	--	No	No	Yes	Yes
		07 - 10	--	FBC081BLR	Front Bumper with Grille Guard	--	No	No	Yes	Yes
		07 - 10	--	GGC081BL1	Grille Guard	--	No	No	Yes	Yes
		03 - 06	--	BTC031BLR	Bullnose Front Bumper	--	No	No	Yes	Yes
		03 - 06	--	FBC031BLR	Front Bumper with Grille Guard	--	No	No	Yes	Yes
		03 - 06	--	GGC031BL1	Grille Guard	--	No	No	Yes	Yes
		01 - 06	11, 13, 14	BBC010BLL	Rear Bumper	Yes	No	--	--	--
		01 - 02	--	FBC011BLR	Front Bumper with Grille Guard	--	No	No	No	No
01 - 02	--	GGC011BL1	Grille Guard	--	No	No	Yes	Yes		
Silverado 2500 HD Classic	--	07 - 07	--	BTC031BLR	Bullnose Front Bumper	--	No	No	Yes	Yes
		07 - 07	--	FBC031BLR	Front Bumper with Grille Guard	--	No	No	Yes	Yes
		07 - 07	--	GGC031BL1	Grille Guard	--	No	No	Yes	Yes
		07 - 07	11, 13, 14	BBC010BLL	Rear Bumper	Yes	No	--	--	--

1. Use PSC19HBL1 for sensor accom.
2. Use PSC16HBL1 for sensor accom.
3. Use PSG19HBL1 for sensor accom.
4. Sport, Express, and Tradesman may require bumper trimming
5. Add'l GGF114BP bolt pack required
6. May trigger parking sensor on Denali

7. Denali requires grille trimming
8. Incl. knock out for engine block heater plug
9. Use PSF19MBP for sensor accommodation
10. Tow rating of 5,000 / 500 lbs.
11. Tow rating of 10,000 / 1,000 lbs.

12. Skirt length 8"
13. Skirt length 10"
14. Retains fact. rec.
15. Does not retain factory receiver
16. Must use PSC22HBL1 for sensor accommodation

17. May require use of PSF231BL1 for sensor accommodation

Applications continued on the following page



**Legend Series Bumpers & Grille Guards**

Make / Model	Style	Years	Footnote	Part #	Product Description	Lights	Retains					
							Park Sens	Frnt Cam	Tow Hks	Fog Lts		
<b>Chevrolet (continued)</b>												
Silverado 3500	--	03 - 06	--	BTC031BLR	Bullnose Front Bumper	--	No	No	Yes	Yes		
		03 - 06	--	FBC031BLR	Front Bumper with Grille Guard	--	No	No	Yes	Yes		
		03 - 06	--	GGC031BL1	Grille Guard	--	No	No	Yes	Yes		
		01 - 02	--	FBC011BLR	Front Bumper with Grille Guard	--	No	No	No	No		
		01 - 02	--	GGC011BL1	Grille Guard	--	No	No	Yes	Yes		
Silverado 3500 Classic	--	07 - 07	--	BTC031BLR	Bullnose Front Bumper	--	No	No	Yes	Yes		
		07 - 07	--	FBC031BLR	Front Bumper with Grille Guard	--	No	No	Yes	Yes		
		07 - 07	--	GGC031BL1	Grille Guard	--	No	No	Yes	Yes		
Silverado 3500 HD	--	24 - 24	--	GGC241BL1	Grille Guard	--	Yes	Yes	Yes	Yes		
		24 - 24	--	FBC241BLR	Front Bumper with Grille Guard	--	Yes	Yes	Yes	Yes		
		20 - 23	--	BTC201BLR	Bullnose Front Bumper	--	Yes	Yes	Yes	Yes		
		20 - 23	--	FBC201BLRC	Front Bumper with Grille Guard	--	Yes	Yes	Yes	Yes		
		20 - 23	--	FBC201BLR	Front Bumper with Grille Guard	--	Yes	No	Yes	Yes		
		20 - 23	3	GGC201BL1C	Grille Guard	--	No	Yes	Yes	Yes		
		20 - 23	3	GGC201BL1	Grille Guard	--	No	No	Yes	Yes		
		15 - 19	--	BTC151BLR	Bullnose Front Bumper	--	Yes	No	Yes	Yes		
		15 - 19	--	FBC151BLR	Front Bumper with Grille Guard	--	Yes	No	Yes	Yes		
		15 - 19	--	GGC151BL1	Grille Guard	--	No	No	Yes	Yes		
		15 - 19	--	GGC151BLS	Grille Guard	--	Yes	No	Yes	Yes		
		11 - 14	--	BTC111BLR	Bullnose Front Bumper	--	No	No	Yes	Yes		
		11 - 14	--	FBC111BLR	Front Bumper with Grille Guard	--	No	No	Yes	Yes		
		11 - 14	--	GGC111BL1	Grille Guard	--	No	No	Yes	Yes		
		11 - 14	11, 13, 14	BBC110BLSL	Rear Bumper	Yes	Yes	--	--	--		
		07 - 10	--	BTC081BLR	Bullnose Front Bumper	--	No	No	Yes	Yes		
		07 - 10	--	FBC081BLR	Front Bumper with Grille Guard	--	No	No	Yes	Yes		
		07 - 10	--	GGC081BL1	Grille Guard	--	No	No	Yes	Yes		
		Suburban	--	21 - 22	1	GGC21SBL1C	Grille Guard	--	No	Yes	Yes	Yes
				21 - 22	1	GGC21SBL1	Grille Guard	--	No	No	Yes	Yes
Excl. Z71	15 - 20		--	GGC15HBL1	Grille Guard	--	No	No	Yes	Yes		
--	07 - 14		--	GGC07HBL1	Grille Guard	--	No	No	Yes	Yes		
	00 - 06		--	GGC99HBL1	Grille Guard	--	No	No	Yes	Yes		
	00 - 06		11, 12, 14	BBC008BLS	Rear Bumper	No	No	--	--	--		
	92 - 99		--	FBC881BLR	Front Bumper with Grille Guard	--	No	No	Yes	No		
	92 - 99		--	GGC881BL1	Grille Guard	--	No	No	Yes	Yes		

1. Use PSC19HBL1 for sensor accom.
2. Use PSC16HBL1 for sensor accom.
3. Use PSG19HBL1 for sensor accom.
4. Sport, Express, and Tradesman may require bumper trimming
5. Add'l GGF114BP bolt pack required
6. May trigger parking sensor on Denali

7. Denali requires grille trimming
8. Incl. knock out for engine block heater plug
9. Use PSF19MBP for sensor accommodation
10. Tow rating of 5,000 / 500 lbs.
11. Tow rating of 10,000 / 1,000 lbs.

12. Skirt length 8"
13. Skirt length 10"
14. Retains fact. rec.
15. Does not retain factory receiver
16. Must use PSC22HBL1 for sensor accommodation

17. May require use of PSF231BL1 for sensor accommodation

Applications continued on the following page



Legend Series Bumpers & Grille Guards

Make / Model	Style	Years	Footnote	Part #	Product Description	Lights	Retains			
							Park Sens	Frnt Cam	Tow Hks	Fog Lts
<b>Chevrolet (continued)</b>										
Suburban 2500	--	00 - 06	11, 12, 14	BBC008BLS	Rear Bumper	No	No	--	--	--
Tahoe	--	21 - 22	--	GGC21SBL1C	Grille Guard	--	Yes	Yes	Yes	Yes
		21 - 22	--	GGC21SBL1	Grille Guard	--	Yes	No	Yes	Yes
	Excl. Z71	15 - 20	--	GGC15HBL1	Grille Guard	--	No	No	Yes	Yes
	--	07 - 14	--	GGC07HBL1	Grille Guard	--	No	No	Yes	Yes
		00 - 06	--	GGC99HBL1	Grille Guard	--	No	No	Yes	Yes
		00 - 06	11, 12, 14	BBC008BLS	Rear Bumper	No	No	--	--	--
		92 - 99	--	FBC881BLR	Front Bumper with Grille Guard	--	No	No	Yes	No
		92 - 99	--	GGC881BL1	Grille Guard	--	No	No	Yes	Yes
<b>Dodge</b>										
Ram 1500	--	09 - 10	4	GGD09HBL1	Grille Guard	--	No	No	Yes	Yes
		06 - 08	--	BTD061BLR	Bullnose Front Bumper	--	No	No	Yes	Yes
		06 - 08	--	FBD061BLR	Front Bumper with Grille Guard	--	No	No	Yes	Yes
		03 - 08	--	GGD061BL1	Grille Guard	--	No	No	Yes	Yes
		03 - 08	11, 13, 15	BBD030BLL	Rear Bumper	Yes	No	--	--	--
		94 - 01	11, 12, 14	BBD948BLS	Rear Bumper	No	No	--	--	--
	Excl. Sport	94 - 01	--	BTD941BLR	Bullnose Front Bumper	--	No	No	No	No
		94 - 01	--	FBD941BLR	Front Bumper with Grille Guard	--	No	No	No	No
		94 - 01	--	GGD941BL1	Grille Guard	--	No	No	No	Yes
		94 - 01	--	GGD941BL1	Grille Guard	--	No	No	No	Yes
Ram 2500 / 3500	--	10 - 10	11, 13, 15	BBD100BLL	Rear Bumper	Yes	No	--	--	--
		10 - 10	11, 13, 15	BBD100BLSS	Rear Bumper	No	Yes	--	--	--
		10 - 10	--	BTD101BLRS	Bullnose Front Bumper	--	Yes	No	Yes	Yes
		10 - 10	--	FBD101BLRS	Front Bumper with Grille Guard	--	Yes	No	Yes	Yes
		10 - 10	--	GGD101BL1	Grille Guard	--	No	No	Yes	Yes
		06 - 09	--	BTD061BLR	Bullnose Front Bumper	--	No	No	Yes	Yes
		06 - 09	--	FBD061BLR	Front Bumper with Grille Guard	--	No	No	Yes	Yes
		03 - 09	11, 13, 15	BBD030BLL	Rear Bumper	Yes	No	--	--	--
		03 - 09	--	GGD061BL1	Grille Guard	--	No	No	Yes	Yes
		03 - 05	--	BTD031BLR	Bullnose Front Bumper	--	No	No	Yes	Yes
		03 - 05	--	FBD031BLR	Front Bumper with Grille Guard	--	No	No	Yes	Yes
		98 - 02	--	BTD941BLR	Bullnose Front Bumper	--	No	No	No	No
		98 - 02	--	FBD941BLR	Front Bumper with Grille Guard	--	No	No	No	No
		94 - 02	11, 12, 14	BBD948BLS	Rear Bumper	No	No	--	--	--
		94 - 02	--	GGD941BL1	Grille Guard	--	No	No	No	Yes

1. Use PSC19HBL1 for sensor accom.
2. Use PSC16HBL1 for sensor accom.
3. Use PSG19HBL1 for sensor accom.
4. Sport, Express, and Tradesman may require bumper trimming
5. Add'l GGF114BP bolt pack required
6. May trigger parking sensor on Denali

7. Denali requires grille trimming
8. Incl. knock out for engine block heater plug
9. Use PSF19MBP for sensor accommodation
10. Tow rating of 5,000 / 500 lbs.
11. Tow rating of 10,000 / 1,000 lbs.

12. Skirt length 8"
13. Skirt length 10"
14. Retains fact. rec.
15. Does not retain factory receiver
16. Must use PSC22HBL1 for sensor accommodation

17. May require use of PSF231BL1 for sensor accommodation

Applications continued on the following page



## Legend Series Bumpers & Grille Guards

Make / Model	Style	Years	Footnote	Part #	Product Description	Lights	Retains			
							Park Sens	Frnt Cam	Tow Hks	Fog Lts
<b>Dodge (continued)</b>										
Ram 4500 / 5500	--	10 - 10	--	BTD101BLRS	Bullnose Front Bumper	--	Yes	No	Yes	Yes
		10 - 10	--	FBD101BLRS	Front Bumper with Grille Guard	--	Yes	No	Yes	Yes
<b>Ford</b>										
Bronco	With square headlights	92 - 96	--	FBF921BLR	Front Bumper with Grille Guard	--	No	No	No	No
Excursion	--	05 - 05	--	BTF051BLR	Bullnose Front Bumper	--	No	No	Yes	Yes
		05 - 05	--	FBF051BLR	Front Bumper with Grille Guard	--	No	No	Yes	Yes
		05 - 05	--	GGF051BL1	Grille Guard	--	No	No	Yes	Yes
		00 - 04	--	BTF991BLR	Bullnose Front Bumper	--	No	No	Yes	Yes
		00 - 04	--	FBF991BLR	Front Bumper with Grille Guard	--	No	No	Yes	No
		00 - 04	--	GGF99SBL1	Grille Guard	--	No	No	Yes	Yes
Expedition	--	18 - 23	--	GGF19HBL1C	Grille Guard	--	Yes	Yes	Yes	Yes
		18 - 23	--	GGF19HBL1	Grille Guard	--	Yes	No	Yes	Yes
		07 - 17	--	GGF07HBL1	Grille Guard	--	No	No	Yes	Yes
	4WD	99 - 02	--	GGF994BL1	Grille Guard	--	No	No	Yes	Yes
	--	97 - 02	--	FBF9X1BLR	Front Bumper with Grille Guard	--	No	No	Yes	No
Explorer	Police Interceptor	16 - 19	--	GGF16EBL1	Grille Guard	--	No	No	No	Yes
F-150	--	15 - 23	--	GGF21HBL1C	Grille Guard	--	Yes	Yes	Yes	Yes
		15 - 23	--	GGF21HBL1	Grille Guard	--	Yes	Yes	Yes	Yes
		09 - 14	--	GGF09HBL1	Grille Guard	--	No	No	Yes	Yes
		04 - 08	--	GGF06HBL1	Grille Guard	--	No	No	Yes	Yes
	4WD	99 - 03	--	GGF994BL1	Grille Guard	--	No	No	Yes	Yes
	With oval headlights	97 - 03	--	FBF9X1BLR	Front Bumper with Grille Guard	--	No	No	Yes	No
	With square headlights	92 - 96	--	FBF921BLR	Front Bumper with Grille Guard	--	No	No	No	No
--	81 - 96	10, 12, 14	BBF928BLS	Rear Bumper	No	No	--	--	--	
F-150 Heritage	--	04 - 04	--	FBF9X1BLR	Front Bumper with Grille Guard	--	No	No	Yes	No
	4WD	04 - 04	--	GGF994BL1	Grille Guard	--	No	No	Yes	Yes
F-250	4WD	99 - 03	--	GGF994BL1	Grille Guard	--	No	No	Yes	Yes
	With oval headlights	97 - 99	--	FBF9X1BLR	Front Bumper with Grille Guard	--	No	No	Yes	No
	With square headlights	92 - 96	--	FBF921BLR	Front Bumper with Grille Guard	--	No	No	No	No
	--	81 - 96	10, 12, 14	BBF928BLS	Rear Bumper	No	No	--	--	--

1. Use PSC19HBL1 for sensor accom.
2. Use PSC16HBL1 for sensor accom.
3. Use PSG19HBL1 for sensor accom.
4. Sport, Express, and Tradesman may require bumper trimming
5. Add'l GGF114BP bolt pack required
6. May trigger parking sensor on Denali

7. Denali requires grille trimming
8. Incl. knock out for engine block heater plug
9. Use PSF19MBP for sensor accommodation
10. Tow rating of 5,000 / 500 lbs.
11. Tow rating of 10,000 / 1,000 lbs.

12. Skirt length 8"
13. Skirt length 10"
14. Retains fact. rec.
15. Does not retain factory receiver
16. Must use PSC22HBL1 for sensor accommodation

17. May require use of PSF231BL1 for sensor accommodation

Applications continued on the following page



Legend Series Bumpers & Grille Guards

Make / Model	Style	Years	Footnote	Part #	Product Description	Lights	Retains				
							Park Sens	Frnt Cam	Tow Hks	Fog Lts	
<b>Ford (continued)</b>											
F-250 Super Duty	--	23 - 23	17	GGF231BL1	Grille Guard	--	No	Yes	Yes	Yes	
		23 - 23	--	FBF231BLR	Front Bumper with Grille Guard	--	Yes	Yes	No	Yes	
		17 - 23	12, 14	BBF231BLSS	Rear Bumper	No	Yes	--	--	--	
		17 - 22	--	BTF201BLR	Bullnose Front Bumper	--	--	Yes	Yes	Yes	
		17 - 22	--	FBF201BLRC	Front Bumper with Grille Guard	--	--	Yes	Yes	Yes	
		17 - 22	--	FBF201BLR	Front Bumper with Grille Guard	--	--	No	Yes	Yes	
		Excl. Tremor package w/ winch	17 - 22	--	GGF201BL1C	Grille Guard	--	Yes	Yes	Yes	Yes
			17 - 22	--	GGF201BL1	Grille Guard	--	Yes	No	Yes	Yes
		--	11 - 16	--	BTF111BLR	Bullnose Front Bumper	--	Yes	No	Yes	Yes
			11 - 16	--	FBF111BLR	Front Bumper with Grille Guard	--	--	No	Yes	Yes
			11 - 16	--	GGF111BL1	Grille Guard	--	--	No	Yes	Yes
			08 - 15	11, 13, 14	BBF080BLSL	Rear Bumper	Yes	Yes	--	--	--
			08 - 10	--	FBF081BLR	Front Bumper with Grille Guard	--	--	No	Yes	Yes
			08 - 10	--	GGF081BL1	Grille Guard	--	--	No	Yes	Yes
			05 - 07	--	BTF051BLR	Bullnose Front Bumper	--	--	No	Yes	Yes
	05 - 07		--	FBF051BLR	Front Bumper with Grille Guard	--	--	No	Yes	Yes	
	05 - 07		--	GGF051BL1	Grille Guard	--	--	No	Yes	Yes	
	99 - 07		11, 13, 14	BBF050BLL	Rear Bumper	Yes	No	--	--	--	
	F-350	--	81 - 97	10, 12, 14	BBF928BLS	Rear Bumper	No	No	--	--	--
			92 - 97	--	FBF921BLR	Front Bumper with Grille Guard	--	No	No	No	No
With square headlights		23 - 23	17	GGF231BL1	Grille Guard	--	No	Yes	Yes	Yes	
		23 - 23	--	FBF231BLR	Front Bumper with Grille Guard	--	Yes	Yes	No	Yes	
		17 - 23	12, 14	BBF231BLSS	Rear Bumper	No	Yes	--	--	--	
		17 - 22	--	BTF201BLR	Bullnose Front Bumper	--	--	Yes	Yes	Yes	
Excl. Tremor package with winch	17 - 22	--	FBF201BLRC	Front Bumper with Grille Guard	--	--	Yes	Yes	Yes		
	17 - 22	--	FBF201BLR	Front Bumper with Grille Guard	--	--	No	Yes	Yes		
	17 - 22	--	GGF201BL1C	Grille Guard	--	Yes	Yes	Yes	Yes		
	17 - 22	--	GGF201BL1	Grille Guard	--	Yes	No	Yes	Yes		
F-350 Super Duty (continued on following page)	--	23 - 23	17	GGF231BL1	Grille Guard	--	No	Yes	Yes	Yes	
		23 - 23	--	FBF231BLR	Front Bumper with Grille Guard	--	Yes	Yes	No	Yes	
		17 - 23	12, 14	BBF231BLSS	Rear Bumper	No	Yes	--	--	--	
		17 - 22	--	BTF201BLR	Bullnose Front Bumper	--	--	Yes	Yes	Yes	
		17 - 22	--	FBF201BLRC	Front Bumper with Grille Guard	--	--	Yes	Yes	Yes	
		17 - 22	--	FBF201BLR	Front Bumper with Grille Guard	--	--	No	Yes	Yes	
	Excl. Tremor package with winch	17 - 22	--	GGF201BL1C	Grille Guard	--	Yes	Yes	Yes	Yes	
		17 - 22	--	GGF201BL1	Grille Guard	--	Yes	No	Yes	Yes	

1. Use PSC19HBL1 for sensor accom.
2. Use PSC16HBL1 for sensor accom.
3. Use PSG19HBL1 for sensor accom.
4. Sport, Express, and Tradesman may require bumper trimming
5. Add'l GGF114BP bolt pack required
6. May trigger parking sensor on Denali

7. Denali requires grille trimming
8. Incl. knock out for engine block heater plug
9. Use PSF19MBP for sensor accommodation
10. Tow rating of 5,000 / 500 lbs.
11. Tow rating of 10,000 / 1,000 lbs.

12. Skirt length 8"
13. Skirt length 10"
14. Retains fact. rec.
15. Does not retain factory receiver
16. Must use PSC22HBL1 for sensor accommodation

17. May require use of PSF231BL1 for sensor accommodation

Applications continued on the following page



Legend Series Bumpers & Grille Guards

Make / Model	Style	Years	Footnote	Part #	Product Description	Lights	Retains			
							Park Sens	Frnt Cam	Tow Hks	Fog Lts
<b>Ford (continued)</b>										
F-350 Super Duty (continued from previous page)	--	11 - 16	--	BTF111BLR	Bullnose Front Bumper	--	Yes	No	Yes	Yes
		11 - 16	--	FBF111BLR	Front Bumper with Grille Guard	--	--	No	Yes	Yes
		11 - 16	--	GGF111BL1	Grille Guard	--	--	No	Yes	Yes
		08 - 15	11, 13, 14	BBF080BLSL	Rear Bumper	Yes	Yes	--	--	--
		08 - 10	--	FBF081BLR	Front Bumper with Grille Guard	--	--	No	Yes	Yes
		08 - 10	--	GGF081BL1	Grille Guard	--	--	No	Yes	Yes
		05 - 07	--	BTF051BLR	Bullnose Front Bumper	--	--	No	Yes	Yes
		05 - 07	--	FBF051BLR	Front Bumper with Grille Guard	--	--	No	Yes	Yes
		05 - 07	--	GGF051BL1	Grille Guard	--	--	No	Yes	Yes
		99 - 07	11, 13, 14	BBF050BLL	Rear Bumper	Yes	No	--	--	--
		99 - 04	--	GGF99SBL1	Grille Guard	--	--	No	Yes	Yes
		99 - 04	--	BTF991BLR	Bullnose Front Bumper	--	--	No	Yes	Yes
		99 - 04	--	FBF991BLR	Front Bumper with Grille Guard	--	--	No	Yes	Yes
F-450 Super Duty	--	23 - 23	17	GGF231BL1	Grille Guard	--	No	Yes	Yes	Yes
		17 - 23	11, 12, 14	BBF231BLSS	Rear Bumper	No	Yes	--	--	--
		17 - 22	--	BTF201BLR	Bullnose Front Bumper	--	--	Yes	Yes	Yes
		11 - 16	--	BTF111BLR	Bullnose Front Bumper	--	--	No	Yes	Yes
		11 - 16	--	FBF111BLR	Front Bumper with Grille Guard	--	--	No	Yes	Yes
		11 - 16	5	GGF111BL1	Grille Guard	--	--	No	Yes	Yes
		08 - 10	--	FBF081BLR	Front Bumper with Grille Guard	--	--	No	Yes	Yes
		08 - 10	--	GGF081BL1	Grille Guard	--	--	No	Yes	Yes
		05 - 07	--	BTF051BLR	Bullnose Front Bumper	--	--	No	Yes	Yes
		05 - 07	--	FBF051BLR	Front Bumper with Grille Guard	--	--	No	Yes	Yes
		05 - 07	--	GGF051BL1	Grille Guard	--	--	No	Yes	Yes
		99 - 04	--	GGF99SBL1	Grille Guard	--	--	No	Yes	Yes
		99 - 04	--	BTF991BLR	Bullnose Front Bumper	--	--	No	Yes	Yes
		99 - 04	--	FBF991BLR	Front Bumper with Grille Guard	--	--	No	Yes	Yes
		F-550 Super Duty (continued on following page)	--	23 - 23	17	GGF231BL1	Grille Guard	--	No	Yes
17 - 22	--			BTF201BLR	Bullnose Front Bumper	--	--	Yes	Yes	Yes
11 - 16	--			BTF111BLR	Bullnose Front Bumper	--	--	No	Yes	Yes
11 - 16	--			FBF111BLR	Front Bumper with Grille Guard	--	--	No	Yes	Yes
11 - 16	5			GGF111BL1	Grille Guard	--	--	No	Yes	Yes

1. Use PSC19HBL1 for sensor accom.
2. Use PSC16HBL1 for sensor accom.
3. Use PSG19HBL1 for sensor accom.
4. Sport, Express, and Tradesman may require bumper trimming
5. Add'l GGF114BP bolt pack required
6. May trigger parking sensor on Denali

7. Denali requires grille trimming
8. Incl. knock out for engine block heater plug
9. Use PSF19MBP for sensor accommodation
10. Tow rating of 5,000 / 500 lbs.
11. Tow rating of 10,000 / 1,000 lbs.

12. Skirt length 8"
13. Skirt length 10"
14. Retains fact. rec.
15. Does not retain factory receiver
16. Must use PSC22HBL1 for sensor accommodation

17. May require use of PSF231BL1 for sensor accommodation

Applications continued on the following page



Legend Series Bumpers & Grille Guards

Make / Model	Style	Years	Footnote	Part #	Product Description	Lights	Retains				
							Park Sens	Frnt Cam	Tow Hks	Fog Lts	
<b>Ford (continued)</b>											
F-550 Super Duty (continued from previous page)		08 - 10	--	FBF081BLR	Front Bumper with Grille Guard	--	--	No	Yes	Yes	
		08 - 10	--	GGF081BL1	Grille Guard	--	--	No	Yes	Yes	
		05 - 07	--	BTF051BLR	Bullnose Front Bumper	--	--	No	Yes	Yes	
		05 - 07	--	FBF051BLR	Front Bumper with Grille Guard	--	--	No	Yes	Yes	
		05 - 07	--	GGF051BL1	Grille Guard	--	--	No	Yes	Yes	
		99 - 04	--	GGF99SBL1	Grille Guard	--	--	No	Yes	Yes	
		99 - 04	--	BTF991BLR	Bullnose Front Bumper	--	--	No	Yes	Yes	
		99 - 04	--	FBF991BLR	Front Bumper with Grille Guard	--	--	No	Yes	Yes	
Ranger	--	19 - 23	9	GGF19MBL1	Grille Guard	--	No	--	Yes	Yes	
<b>GMC</b>											
C/K 1500	--	88 - 99	--	GGC881BL1	Grille Guard	--	No	No	Yes	Yes	
			--	FBC881BLR	Front Bumper with Grille Guard	--	No	No	Yes	No	
C/K 2500 / C3500	--	88 - 00	--	GGC881BL1	Grille Guard	--	No	No	Yes	Yes	
			--	FBC881BLR	Front Bumper with Grille Guard	--	No	No	Yes	No	
Jimmy	--	92 - 99	--	GGC881BL1	Grille Guard	--	No	No	Yes	Yes	
			--	FBC881BLR	Front Bumper with Grille Guard	--	No	No	Yes	No	
Sierra 1500	--	22 - 23	--	GGG22HBL1	Grille Guard	--	Yes	Yes	Yes	Yes	
			19 - 21	3	GGG19HBL1C	Grille Guard	--	No	Yes	Yes	Yes
			19 - 21	3	GGG19HBL1	Grille Guard	--	No	No	Yes	Yes
			16 - 18	2	GGG16HBL1	Grille Guard	--	No	No	Yes	Yes
			14 - 15	--	GGG14HBL1	Grille Guard	--	No	No	Yes	Yes
			07 - 13	7	GGG08HBL1	Grille Guard	--	No	No	Yes	Yes
			03 - 06	--	GGG03HBL1	Grille Guard	--	No	No	Yes	Yes
			99 - 02	--	GGG99HBL1	Grille Guard	--	No	No	Yes	Yes
			99 - 06	11, 12, 14	BBC998BLS	Rear Bumper	No	No	--	--	--
Sierra 1500 Classic	--	07 - 07	--	GGG03HBL1	Grille Guard	--	No	No	Yes	Yes	
			11, 12, 14	BBC998BLS	Rear Bumper	No	No	--	--	--	
Sierra 1500 HD	--	01 - 06	11, 12, 14	BBC998BLS	Rear Bumper	No	No	--	--	--	
Sierra 1500 HD Classic	--	07 - 07	11, 12, 14	BBC998BLS	Rear Bumper	No	No	--	--	--	
Sierra 1500 Limited	--	22 - 22	3	GGG19HBL1C	Grille Guard	--	No	Yes	Yes	Yes	
			3	GGG19HBL1	Grille Guard	--	No	No	Yes	Yes	
			19 - 19	2	GGG16HBL1	Grille Guard	--	No	No	Yes	Yes
Sierra 2500	Excl. 2500HD	99 - 04	11, 12, 14	BBC998BLS	Rear Bumper	No	No	--	--	--	

1. Use PSC19HBL1 for sensor accom.
2. Use PSC16HBL1 for sensor accom.
3. Use PSG19HBL1 for sensor accom.
4. Sport, Express, and Tradesman may require bumper trimming
5. Add'l GGF114BP bolt pack required
6. May trigger parking sensor on Denali

7. Denali requires grille trimming
8. Incl. knock out for engine block heater plug
9. Use PSF19MBP for sensor accommodation
10. Tow rating of 5,000 / 500 lbs.
11. Tow rating of 10,000 / 1,000 lbs.

12. Skirt length 8"
13. Skirt length 10"
14. Retains fact. rec.
15. Does not retain factory receiver
16. Must use PSC22HBL1 for sensor accommodation

17. May require use of PSF231BL1 for sensor accommodation

Applications continued on the following page



**Legend Series Bumpers & Grille Guards**

Make / Model	Style	Years	Footnote	Part #	Product Description	Lights	Retains			
							Park Sens	Frnt Cam	Tow Hks	Fog Lts
<b>GMC (continued)</b>										
Sierra 2500 HD	--	20 - 23	3	GGG201BL1C	Grille Guard	--	No	Yes	Yes	Yes
		20 - 23	3	GGG201BL1	Grille Guard	--	No	No	Yes	Yes
		20 - 23	--	FBG201BLRC	Front Bumper with Grille Guard	--	Yes	Yes	Yes	Yes
		20 - 23	--	FBG201BLR	Front Bumper with Grille Guard	--	Yes	No	Yes	Yes
		15 - 19	--	GGG151BL1	Grille Guard	--	No	No	Yes	Yes
		15 - 19	6	GGG151BLS	Grille Guard	--	Yes	No	Yes	Yes
		15 - 19	--	FBG151BLR	Front Bumper with Grille Guard	--	Yes	No	Yes	Yes
		11 - 14	7	GGG111BL1	Grille Guard	--	No	No	Yes	Yes
		11 - 14	--	FBG111BLR	Front Bumper with Grille Guard	--	No	No	Yes	Yes
		11 - 14	11, 13, 14	BBC110BLSL	Rear Bumper	Yes	Yes	--	--	--
		07 - 10	7	GGG081BL1	Grille Guard	--	No	No	Yes	Yes
		07 - 10	--	FBG081BLR	Front Bumper with Grille Guard	--	No	No	Yes	Yes
		03 - 06	--	GGG031BL1	Grille Guard	--	No	No	Yes	Yes
		03 - 06	--	FBG031BLR	Front Bumper with Grille Guard	--	No	No	Yes	Yes
		01 - 02	--	GGC011BL1	Grille Guard	--	No	No	Yes	Yes
		01 - 06	11, 13, 14	BBC010BLL	Rear Bumper	Yes	No	--	--	--
Sierra 2500 HD Classic	--	07 - 07	--	FBG031BLR	Front Bumper with Grille Guard	--	No	No	Yes	Yes
		07 - 07	--	GGG031BL1	Grille Guard	--	No	No	Yes	Yes
		07 - 07	11, 13, 14	BBC010BLL	Rear Bumper	Yes	No	--	--	--
Sierra 3500	--	03 - 06	--	FBG031BLR	Front Bumper with Grille Guard	--	No	No	Yes	Yes
		03 - 06	--	GGG031BL1	Grille Guard	--	No	No	Yes	Yes
		01 - 02	--	GGC011BL1	Grille Guard	--	No	No	Yes	Yes
Sierra 3500 Classic	--	07 - 07	--	GGG031BL1	Grille Guard	--	No	No	Yes	Yes
		07 - 07	--	FBG031BLR	Front Bumper with Grille Guard	--	No	No	Yes	Yes
Sierra 3500 HD (continued on following page)	--	20 - 23	3	GGG201BL1C	Grille Guard	--	No	Yes	Yes	Yes
		20 - 23	3	GGG201BL1	Grille Guard	--	No	No	Yes	Yes
		20 - 23	--	FBG201BLRC	Front Bumper with Grille Guard	--	Yes	Yes	Yes	Yes
		20 - 23	--	FBG201BLR	Front Bumper with Grille Guard	--	Yes	No	Yes	Yes
		15 - 19	--	GGG151BL1	Grille Guard	--	No	No	Yes	Yes
		15 - 19	6	GGG151BLS	Grille Guard	--	Yes	No	Yes	Yes
		15 - 19	--	FBG151BLR	Front Bumper with Grille Guard	--	Yes	No	Yes	Yes
		11 - 14	7	GGG111BL1	Grille Guard	--	No	No	Yes	Yes
		11 - 14	--	FBG111BLR	Front Bumper with Grille Guard	--	No	No	Yes	Yes
11 - 14	11, 13, 14	BBC110BLSL	Rear Bumper	Yes	Yes	--	--	--		

1. Use PSC19HBL1 for sensor accom.
2. Use PSC16HBL1 for sensor accom.
3. Use PSG19HBL1 for sensor accom.
4. Sport, Express, and Tradesman may require bumper trimming
5. Add'l GGF114BP bolt pack required
6. May trigger parking sensor on Denali

7. Denali requires grille trimming
8. Incl. knock out for engine block heater plug
9. Use PSF19MBP for sensor accommodation
10. Tow rating of 5,000 / 500 lbs.
11. Tow rating of 10,000 / 1,000 lbs.

12. Skirt length 8"
13. Skirt length 10"
14. Retains fact. rec.
15. Does not retain factory receiver
16. Must use PSC22HBL1 for sensor accommodation

17. May require use of PSF231BL1 for sensor accommodation

Applications continued on the following page



**Legend Series Bumpers & Grille Guards**

Make / Model	Style	Years	Footnote	Part #	Product Description	Lights	Retains			
							Park Sens	Frnt Cam	Tow Hks	Fog Lts
<b>GMC (continued)</b>										
Sierra 3500 HD (continued from previous page)	--	07 - 10	7	GGG081BL1	Grille Guard	--	No	No	Yes	Yes
		07 - 10	--	FBG081BLR	Front Bumper with Grille Guard	--	No	No	Yes	Yes
Suburban	--	92 - 99	--	FBC881BLR	Front Bumper with Grille Guard	--	No	No	Yes	No
		92 - 99	--	GGC881BL1	Grille Guard	--	No	No	Yes	Yes
Yukon	--	07 - 14	--	GGG07HBL1	Grille Guard	--	No	No	Yes	Yes
		00 - 06	--	GGG99HBL1	Grille Guard	--	No	No	Yes	Yes
		00 - 06	11, 12, 14	BBC008BLS	Rear Bumper	No	No	--	--	--
		92 - 99	--	FBC881BLR	Front Bumper with Grille Guard	--	No	No	Yes	No
Yukon XL	--	07 - 14	--	GGG07HBL1	Grille Guard	--	No	No	Yes	Yes
		00 - 06	11, 12, 14	BBC008BLS	Rear Bumper	No	No	--	--	--
Yukon XL 1500	--	00 - 06	--	GGG99HBL1	Grille Guard	--	No	No	Yes	Yes
<b>Ram</b>										
1500	Excl. diesel	19 - 24	--	GGD19HBL1C	Grille Guard	--	Yes	Yes	No	Yes
	Excl. Rebel	11 - 18	4	GGD09HBL1	Grille Guard	--	No	No	Yes	Yes
1500 Classic	Excl. Warlock	19 - 23	4	GGD09HBL1	Grille Guard	--	No	No	Yes	Yes
2500 / 3500	--	19 - 24	--	BTD191BLR	Bullnose Front Bumper	Yes	Yes	Yes	Yes	Yes
		19 - 24	--	FBD191BLRC	Front Bumper with Grille Guard	--	Yes	Yes	Yes	Yes
		19 - 24	--	FBD191BLR	Front Bumper with Grille Guard	--	Yes	No	Yes	Yes
		19 - 24	--	GGD191BL1C	Grille Guard	--	Yes	Yes	Yes	Yes
		19 - 24	--	GGD191BL1	Grille Guard	--	Yes	No	Yes	Yes
		11 - 18	11, 13, 15	BBD100BLL	Rear Bumper	Yes	No	--	--	--
	11 - 18	11, 13, 15	BBD100BLSS	Rear Bumper	No	Yes	--	--	--	
	Excl. Tradesman	11 - 18	--	BTD101BLRS	Bullnose Front Bumper	--	Yes	No	Yes	Yes
	--	11 - 18	--	FBD101BLRS	Front Bumper with Grille Guard	--	Yes	No	Yes	Yes
4500 / 5500	Excl. Tradesman	11 - 18	--	BTD101BLRS	Bullnose Front Bumper	--	Yes	No	Yes	Yes
		11 - 18	--	FBD101BLRS	Front Bumper with Grille Guard	--	Yes	No	Yes	Yes
<b>Toyota</b>										
Tacoma	--	16 - 23	--	GGT16MBL1	Grille Guard	--	No	No	Yes	Yes
		05 - 15	--	GGT05MBL1	Grille Guard	--	No	No	Yes	Yes
Tundra	--	22 - 23	--	GGT22HBL1	Grille Guard	--	Yes	Yes	No	Yes
		14 - 21	--	GGT14HBL1	Grille Guard	--	No	No	Yes	Yes
		07 - 13	--	GGT07HBL1	Grille Guard	--	No	No	Yes	Yes

1. Use PSC19HBL1 for sensor accom.
2. Use PSC16HBL1 for sensor accom.
3. Use PSG19HBL1 for sensor accom.
4. Sport, Express, and Tradesman may require bumper trimming
5. Add'l GGF114BP bolt pack required
6. May trigger parking sensor on Denali

7. Denali requires grille trimming
8. Incl. knock out for engine block heater plug
9. Use PSF19MBP for sensor accommodation
10. Tow rating of 5,000 / 500 lbs.
11. Tow rating of 10,000 / 1,000 lbs.

12. Skirt length 8"
13. Skirt length 10"
14. Retains fact. rec.
15. Does not retain factory receiver
16. Must use PSC22HBL1 for sensor accommodation

17. May require use of PSF231BL1 for sensor accommodation

# 3"

# LEGEND™ RUNNING STEPS

## Product Details

- Durable black powder coat finish
- Co-cured in industry-leading, rust-resistant, liquid A-coat
- 14-gauge 3" top pipe and 1-1/2" loop pipe for enhanced rigidity
- Truck-specific step configuration to match door layout and maximize safety
- 4" wide steps for comfortable entry and exit
- 12-gauge, punched steel foot plates with raised, high-traction treads
- Prominent Ranch Hand cowboy logo cut into each front step
- 3/16" thick brackets with truck-specific mounting points for easy installation
- Available in 4-step and 6-step configurations for easy access into extended cabs and truck beds
- Designed, cut, fabricated, welded and finished in the USA

See page 42 for application information



## Step up into your rig with confidence and style.



Ranch Hand running steps are constructed from 3" tubing and 3/16" thick brackets to secure the steps to the vehicle in the factory location without the need to drill extra holes



The front step plate is cut with the official Ranch Hand logo and features a 12-gauge punched pattern of raised steel treads to promote dependable traction



The steps are 4" wide, providing a spacious platform for comfortable entry and exit. Each set features 1-1/2" loop pipes for enhanced rigidity

## Finish & Material

**Finish:**  
A-coat and gloss black powder coat

**Material:**  
Carbon steel





Ford F-350 Super Duty





Scan for current applications  
or visit ranchhand.com



## LEGEND™ RUNNING STEPS APPLICATION GUIDE

Legend Series Running Steps							
Make / Model	Years	Cab Length	Bed Length	Bed Type	Part #	Steps	Step Length
<b>Chevrolet / GMC</b>							
Colorado / Canyon	15 - 24	Crew	--	--	RSC15MC1B4S	4-step	Cab length
Silverado / Sierra 1500	19 - 24	Crew	--	--	RSC191C1B4S	4-step	Cab length
	19 - 24	Crew	6' 6"	Standard	RSC191C6B6S	6-step	Wheel-to-Wheel
	07 - 18	Crew	--	--	RSC071C1B4S	4-step	Cab length
	07 - 18	Crew	6' 6"	Standard	RSC071C6B6S	6-step	Wheel-to-Wheel
	07 - 18	Extended	6' 6"	Standard	RSC071Q6B6S	6-step	Wheel-to-Wheel
Silverado 1500 LD	19 - 19	Extended	6' 6"	Standard	RSC071Q6B6S	6-step	Wheel-to-Wheel
Silverado / Sierra 1500 LTD	22 - 22	Crew	--	--	RSC191C1B4S	4-step	Cab length
	22 - 22	Crew	6' 6"	Standard	RSC191C6B6S	6-step	Wheel-to-Wheel
Sierra 1500 Limited	22 - 22	Crew	--	--	RSC191C1B4S	4-step	Cab length
	22 - 22	Crew	6' 6"	Standard	RSC191C6B6S	6-step	Wheel-to-Wheel
	19 - 19	Extended	6' 6"	Standard	RSC071Q6B6S	6-step	Wheel-to-Wheel
Silverado / Sierra 2500 HD	20 - 24	Crew	--	--	RSC191C1B4S	4-step	Cab length
	20 - 24	Crew	6' 5"	Standard	RSC191C6B6S	6-step	Wheel-to-wheel
	07 - 19	Crew	--	--	RSC071C1B4S	4-step	Cab length
	07 - 19	Crew	6' 5" / 6' 6"	Standard	RSC071C6B6S	6-step	Wheel-to-wheel
	07 - 19	Crew	8'	Standard	RSC071C8B6S	6-step	Wheel-to-wheel
	07 - 19	Extended	6' 5"	Standard	RSC071Q6B6S	6-step	Wheel-to-wheel
Silverado / Sierra 3500 HD	20 - 24	Crew	--	--	RSC191C1B4S	4-step	Cab length
	20 - 24	Crew	6' 5"	Standard	RSC191C6B6S	6-step	Wheel-to-wheel
	07 - 19	Crew	--	--	RSC071C1B4S	4-step	Cab length
	11 - 19	Crew	6' 5"	Standard	RSC071C6B6S	6-step	Wheel-to-wheel
	07 - 19	Crew	8'	Standard	RSC071C8B6S	6-step	Wheel-to-wheel
	11 - 18	Extended	6' 5"	Standard	RSC071Q6B6S	6-step	Wheel-to-wheel
<b>Dodge</b>							
Ram 1500	09 - 10	Crew	6' 4"	Standard	RSD101C6B6S	6-step	Wheel-to-wheel
	09 - 10	Crew	--	--	RSD091C1B4S	4-step	Cab length
Ram 2500 / 3500	10 - 10	Crew	6' 4"	Standard	RSD101C6B6S	6-step	Wheel-to-wheel
	10 - 10	Crew	8'	Standard	RSD101C8B6S	6-step	Wheel-to-wheel
	09 - 10	Crew	--	--	RSD091C1B4S	4-step	Cab length
	10 - 10	Extended Crew	6' 4"	Standard	RSD101M6B6S	6-step	Wheel-to-wheel



## Legend Series Running Steps

Make / Model	Years	Cab Length	Bed Length	Bed Type	Part #	Steps	Step Length
<b>Ford</b>							
F-150	15 - 23	Crew	--	--	RSF151C1B4S	4-step	Cab length
	15 - 23	Crew	6' 6"	Standard	RSF171C6B6S	6-step	Wheel-to-wheel
	15 - 22	Extended	--	--	RSF151S1B4S	4-step	Cab length
	15 - 22	Extended	6' 6"	Standard	RSF151S6B6S	6-step	Wheel-to-wheel
	15 - 22	Extended	8'	Standard	RSF171S8B6S	6-step	Wheel-to-wheel
F-150 Lightning	22 - 23	Crew	--	--	RSF151C1B4S	4-step	Cab length
F-250 Super Duty	17 - 23	Crew	--	--	RSF151C1B4S	4-step	Cab length
	17 - 23	Crew	6' 9"	Standard	RSF171C6B6S	6-step	Wheel-to-wheel
	17 - 23	Crew	8'	Standard	RSF171C8B6S	6-step	Cab length
	99 - 16	Crew	--	--	RSF991C1B4S	4-step	Cab length
	99 - 16	Crew	6' 9"	Standard	RSF991C6B6S	6-step	Wheel-to-wheel
	99 - 16	Crew	8'	Standard	RSF991C8B6S	6-step	Wheel-to-wheel
	17 - 22	Extended	--	--	RSF151S1B4S	4-step	Wheel-to-wheel
	17 - 22	Extended	6' 9"	Standard	RSF151S6B6S	6-step	Wheel-to-wheel
F-350 Super Duty	17 - 23	Crew	--	--	RSF151C1B4S	4-step	Cab length
	17 - 23	Crew	6' 9"	Standard	RSF171C6B6S	6-step	Wheel-to-wheel
	17 - 23	Crew	8'	Standard	RSF171C8B6S	6-step	Wheel-to-wheel
	17 - 23	Crew	8'	Dually	RSF17DC8B6S	6-step	Wheel-to-wheel
	99 - 16	Crew	--	--	RSF991C1B4S	4-step	Cab length
	99 - 16	Crew	6' 9"	Standard	RSF991C6B6S	6-step	Wheel-to-wheel
	99 - 16	Crew	8'	Standard	RSF991C8B6S	6-step	Wheel-to-wheel
	17 - 22	Extended	--	--	RSF151S1B4S	4-step	Cab length
	17 - 22	Extended	6' 5"	Standard	RSF151S6B6S	6-step	Wheel-to-wheel
F-450 Super Duty	17 - 23	Crew	--	--	RSF151C1B4S	4-step	Cab length
	17 - 23	Crew	8'	Dually	RSF17DC8B6S	6-step	Wheel-to-wheel
	99 - 16	Crew	--	--	RSF991C1B4S	4-step	Cab length
Ranger	19 - 23	Crew	--	--	RSF19MC1B4S	4-step	Cab length
<b>Ram</b>							
1500	19 - 24	Crew	--	--	RSD19HC1B4S	4-step	Cab length
	11 - 18	Crew	--	--	RSD091C1B4S	4-step	Cab length
	11 - 18	Crew	6' 4"	Standard	RSD101C6B6S	6-step	Wheel-to-wheel
1500 Classic	19 - 23	Crew	--	--	RSD091C1B4S	4-step	Cab length
	19 - 23	Crew	6' 4"	Standard	RSD101C6B6S	6-step	Wheel-to-wheel
2500 / 3500	11 - 24	Crew	--	--	RSD091C1B4S	4-step	Cab length
	11 - 24	Crew	6' 4"	Standard	RSD101C6B6S	6-step	Wheel-to-wheel
	11 - 24	Crew	8'	Standard	RSD101C8B6S	6-step	Wheel-to-wheel
	11 - 24	Extended Crew	--	--	RSD101M1B4S	4-step	Cab length
	11 - 24	Extended Crew	6' 4"	Standard	RSD101M6B6S	6-step	Wheel-to-wheel
<b>Toyota</b>							
4Runner	10 - 23	--	--	--	RST10MC1B4S	4-step	Cab length
Tacoma	07 - 23	Crew	--	--	RST07MC1B4S	4-step	Cab length
Tundra	22 - 23	Crew	--	--	RST22HC1B4S	4-step	Cab length
	22 - 23	Extended	--	--	RST22HQ1B4S	4-step	Cab length
	07 - 21	Crew	--	--	RST07HC1B4S	4-step	Cab length
	07 - 21	Extended	--	--	RST07HQ1B4S	4-step	Cab length

# LEGEND™ HEADACHE RACKS

**NEW**

## Product Details

- Made from high-density 11-gauge U.S. steel and manufactured in the USA
- Provides a stable surface for supporting large or long items when hauling
- Louvered steel protects cab and glass from shifting cargo and provides privacy
- Removable center section provides rear window access and improved visibility
- Available in lighted or non-lighted configurations
- Protected with a rust-resistant A-coat and durable, gloss black powder coat finish
- Compatible with standard cross-bed toolboxes up to 21" wide
- Uses existing bed stake pockets with minimal drilling or modification needed
- Bed stake pocket brackets sold separately
- Integrated LED lights and harness included on lighted models (splicing required)
- Brackets available for LED light bars and utility lights (sold separately)



## Finish & Material

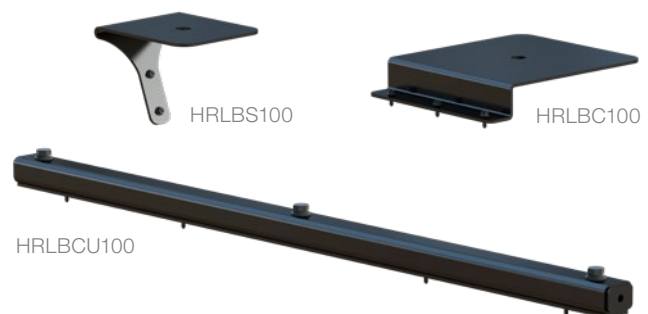


**Finish:**  
A-coat and  
gloss black  
powder coat

**Material:**  
Carbon steel

## Universal Light Mounts

- Easily mount utility lights to the sides or top of Ranch Hand headache racks
- Made from high-density 7-gauge steel
- Finished with a durable, gloss black powder coat finish
- Mounting hardware included
- Drilling required for installation



Part #	Mount Location	Mounting Surface	Light style
HRLBS100	Side	6-1/2"	Rotating, Strobe or Flood Lights
HRLBC100	Center/Top	10-1/2"	Utility Lights Or LED Light Bars
HRLBCU100	Center/Top	46"	Utility Lights Or LED Light Bars





## LEGEND™ HEADACHE RACK APPLICATION GUIDE

### Legend Series Headache Racks

Make / Model	Years	Style	Bracket #	Headache Rack With Lights #	Headache Rack Without Lights #
<b>Chevrolet / GMC</b>					
Silverado / Sierra 1500	19 - 24	--	HRSBC201	HRLWL200	HRLNL200
	08 - 18	--	HRSBC08H1	HRLWL200	HRLNL200
Silverado 1500 LD	19 - 19	--	HRSBC08H1	HRLWL200	HRLNL200
Silverado 1500 LTD	22 - 22	--	HRSBC201	HRLWL200	HRLNL200
Sierra 1500 Limited	22 - 22	--	HRSBC201	HRLWL200	HRLNL200
	19 - 19	--	HRSBC08H1	HRLWL200	HRLNL200
Silverado / Sierra 2500 / 3500 HD	20 - 24	--	HRSBC201	HRLWL200	HRLNL200
<b>Dodge</b>					
Ram 1500	09 - 10	5.5' bed	HRSBD09H	HRLWL200	HRLNL200
	02 - 10	Excluding 5.5' bed	HRSBD02H1	HRLWL200	HRLNL200
Ram 2500 / 3500	02 - 10	--	HRSBD02H1	HRLWL200	HRLNL200
<b>Ford</b>					
F-150	15 - 23	--	HRSBF15H	HRLWL200	HRLNL200
	04 - 14	--	HRSBF97H	HRLWL200	HRLNL200
	97 - 03	Crew cab, 5.5' bed	HRSBF97H	HRLWL200	HRLNL200
F-150 Heritage	04 - 04	Crew cab, 5.5' bed	HRSBF97H	HRLWL200	HRLNL200
F-250 / F-350 Super Duty	17 - 24	--	HRSBF171	HRLWL100	HRLNL100
	99 - 16	--	HRSBF991	HRLWL100	HRLNL100
F-450 Super Duty	17 - 24	--	HRSBF171	HRLWL100	HRLNL100
	08 - 16	--	HRSBF991	HRLWL100	HRLNL100
<b>Ram</b>					
1500	19 - 24	--	HRSBD19H	HRLWL200	HRLNL200
	11 - 18	5.5' bed	HRSBD09H	HRLWL200	HRLNL200
	11 - 18	Excluding 5.5' bed	HRSBD02H1	HRLWL200	HRLNL200
1500 Classic	19 - 23	5.5' bed	HRSBD09H	HRLWL200	HRLNL200
	19 - 23	Excluding 5.5' bed	HRSBD02H1	HRLWL200	HRLNL200
2500 / 3500	11 - 24	--	HRSBD02H1	HRLWL200	HRLNL200



# SUMMIT™ SERIES







# ESCAPE THE CITYSCAPE.

The Summit™ series is built for those who travel far away from concrete cityscapes. Built by hand in Shiner, Texas, the Summit™ offers robust strength and reduced weight. For those who venture far into the unknown, the Summit™ will stand up to unforeseen obstacles and will get you to your destination while protecting you along the way.



# SUMMIT™ FRONT BUMPER WITH GRILLE GUARD

## Product Details

- High-strength yet lightweight 12-gauge, diamond-plate steel construction
- Constructed with 5/16" uprights for high-tensile strength and durability
- One-piece welded fabrication prevents rattling
- Perforated 12-gauge steel protects the truck grille from brush and road debris
- Retains factory fog lights and tow hooks, if equipped
- Compatible with front-facing sensors (Options available to accommodate front-facing cameras)
- Super polyester black powder coat finish for superior corrosion resistance
- Easy, direct-bolt installation with no cutting, welding or drilling required

See page 52 for application information



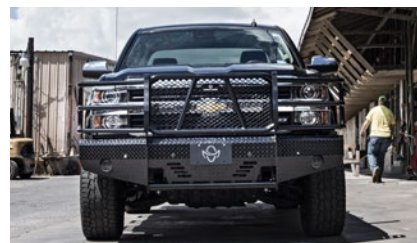
## Reduced weight. Robust protection.



The Summit is constructed with high-strength, 12-gauge, diamond-plate steel and has a 5/16" upright thickness that increases durability and sturdiness



The wraparound brush guard is made from 12-gauge steel tubing and provides extra front-end protection to safeguard headlights and body from brush and road debris



Features a strong yet lightweight design which provides robust protection and is specific to the truck make and model for a custom, tailored fit and easy installation

## Finish & Material

**Finish:**  
Gloss black powder coat

**Material:**  
Carbon steel





Ram 2500

## BUMPER ACCESSORIES

### Universal Rubber Upright Pads

- Rubber stripping to protect grille guard uprights and finish
- Constructed from tough black rubber
- Easy, friction-fit installation
- Includes two rubber strips

Part #	Fits
RUPU	Legend grille guard and Legend, Summit and Sport front bumpers with grille guard



# SUMMIT™ BULLNOSE FRONT BUMPER

## Product Details

- High-strength yet lightweight 12-gauge, diamond-plate steel construction with 2" thick 12-gauge bullnose
- Constructed with 5/16" uprights for high-tensile strength and durability
- Bullnose brush guard for extra front-end protection and an aggressive look
- Retains factory fog lights and tow hooks, if equipped
- Super polyester black powder coat finish for superior corrosion resistance
- Compatible with front-facing cameras and sensors
- Easy, direct-bolt installation with no cutting, welding or drilling required

See page 52 for application information



## Robust strength with sporty, Baja style.



The Summit is constructed with high-strength, 12-gauge, diamond-plate steel and has a 5/16" upright thickness that increases durability and sturdiness



The 2" thick, 12-gauge bullnose provides extra front-end protection to safeguard the grille from obstacles and road debris while adding a sporty, baja-style look



Specifically designed for your truck, its direct-bolt-on installation method is straightforward and prevents the need to cut, weld or drill

## Finish & Material



**Finish:**  
Gloss black powder coat  
**Material:**  
Carbon steel





**GMC Denali HD**



**Toyota Tundra**





Scan for current applications  
or visit ranchhand.com



## SUMMIT™ SERIES APPLICATION GUIDE

### Summit Series Bumpers

Make / Model	Style	Years	Footnote	Part #	Product Description	Retains			
						Park Sens	Frnt Cam	Tow Hks	Fog Lts
<b>Chevrolet</b>									
Avalanche 1500	Excluding models with cladding	03 - 06	--	FSC03HBL1	Front Bumper with Grille Guard	No	No	Yes	Yes
Avalanche 2500	Excluding models with cladding	03 - 06	--	FSC03HBL1	Front Bumper with Grille Guard	No	No	Yes	Yes
Silverado 1500	--	22 - 23	--	FSC22HBL1	Front Bumper with Grille Guard	Yes	Yes	Yes	Yes
	Excluding diesel	19 - 21	--	FSC19HBL1C	Front Bumper with Grille Guard	Yes	Yes	Yes	Yes
	Excluding diesel or fender flares	19 - 21	--	FSC19HBL1	Front Bumper with Grille Guard	Yes	No	Yes	Yes
	--	16 - 18	--	FSC16HBL1	Front Bumper with Grille Guard	Yes	No	Yes	Yes
	--	16 - 18	--	BSC16HBL1	Bullnose Front Bumper	Yes	No	Yes	Yes
	--	14 - 15	--	FSC14HBL1	Front Bumper with Grille Guard	Yes	No	Yes	Yes
	--	14 - 15	--	BSC14HBL1	Bullnose Front Bumper	No	No	Yes	Yes
	--	07 - 13	--	FSC08HBL1	Front Bumper with Grille Guard	No	No	Yes	Yes
	--	07 - 13	--	BSC08HBL1	Bullnose Front Bumper	No	No	Yes	Yes
	--	03 - 06	--	FSC03HBL1	Front Bumper with Grille Guard	No	No	Yes	Yes
Silverado 1500 Classic	--	07 - 07	--	FSC03HBL1	Front Bumper with Grille Guard	No	No	Yes	Yes
	Silverado 1500 LD	19 - 19	--	FSC16HBL1	Front Bumper with Grille Guard	Yes	No	Yes	Yes
BSC16HBL1				Bullnose Front Bumper	Yes	No	Yes	Yes	

1. Includes knock out for engine block heater plug
2. Requires cutting of the plastic bumper

3. Will lose functionality of motorized air dam
- \* Continued while supplies last

Applications continued on the following page



## Summit Series Bumpers

Make / Model	Style	Years	Footnote	Part #	Product Description	Retains				
						Park Sens	Frnt Cam	Tow Hks	Fog Lts	
<b>Chevrolet (continued)</b>										
Silverado 1500 LTD	Excluding diesel	22 - 22	--	FSC19HBL1C	Front Bumper with Grille Guard	Yes	Yes	Yes	Yes	
	Excluding diesel or fender flares	22 - 22	--	FSC19HBL1	Front Bumper with Grille Guard	Yes	No	Yes	Yes	
Silverado 2500 HD	--	20 - 23	--	FSC201BL1C	Front Bumper with Grille Guard	Yes	Yes	Yes	Yes	
		20 - 23	--	FSC201BL1	Front Bumper with Grille Guard	Yes	No	Yes	Yes	
		15 - 19	--	FSC151BL1	Front Bumper with Grille Guard	Yes	No	Yes	Yes	
		15 - 19	--	BSC151BL1	Bullnose Front Bumper	Yes	No	Yes	Yes	
		11 - 14	--	FSC111BL1	Front Bumper with Grille Guard	No	No	Yes	Yes	
		07 - 10	--	FSC081BL1	Front Bumper with Grille Guard	No	No	Yes	Yes	
		03 - 06	--	FSC031BL1	Front Bumper with Grille Guard	No	No	Yes	Yes	
Silverado 2500 HD Classic	--	07 - 07	--	FSC031BL1	Front Bumper with Grille Guard	No	No	Yes	Yes	
Silverado 3500	--	03 - 06	--	FSC031BL1	Front Bumper with Grille Guard	No	No	Yes	Yes	
Silverado 3500 Classic	--	07 - 07	--	FSC031BL1	Front Bumper with Grille Guard	No	No	Yes	Yes	
Silverado 3500 HD	--	20 - 23	--	FSC201BL1C	Front Bumper with Grille Guard	Yes	Yes	Yes	Yes	
		20 - 23	--	FSC201BL1	Front Bumper with Grille Guard	Yes	No	Yes	Yes	
		15 - 19	--	FSC151BL1	Front Bumper with Grille Guard	Yes	No	Yes	Yes	
		15 - 19	--	BSC151BL1	Bullnose Front Bumper	Yes	No	Yes	Yes	
		11 - 14	--	FSC111BL1	Front Bumper with Grille Guard	No	No	Yes	Yes	
		07 - 10	--	FSC081BL1	Front Bumper with Grille Guard	No	No	Yes	Yes	
Suburban	--	00 - 06	--	FSC99HBL1	Front Bumper with Grille Guard	No	No	Yes	Yes	
Tahoe	--	00 - 06	--	FSC99HBL1	Front Bumper with Grille Guard	No	No	Yes	Yes	
<b>Dodge</b>										
Ram 1500	--	06 - 09	--	FSD061BL1	Front Bumper with Grille Guard	No	No	Yes	Yes	
Ram 2500 / 3500	--	10 - 10	--	FSD101BL1S	Front Bumper with Grille Guard	Yes	No	Yes	Yes	
		Excluding Express and Sport	10 - 10	--	BSD101BL1S	Bullnose Front Bumper	No	No	Yes	Yes
		--	06 - 09	--	FSD061BL1	Front Bumper with Grille Guard	No	No	Yes	Yes
			03 - 05	--	FSD031BL1	Front Bumper with Grille Guard	No	No	Yes	Yes
Ram 4500 / 5500	--	10 - 10	--	FSD101BL1S	Front Bumper with Grille Guard	Yes	No	Yes	Yes	
		Excluding Express and Sport	10 - 10	--	BSD101BL1S	Bullnose Front Bumper	No	No	Yes	Yes

1. Includes knock out for engine block heater plug

2. Requires cutting of the plastic bumper

3. Will lose functionality of motorized air dam

\* Continued while supplies last

Applications continued on the following page

## Summit Series Bumpers

Make / Model	Style	Years	Footnote	Part #	Product Description	Retains			
						Park Sens	Frnt Cam	Tow Hks	Fog Lts
<b>Ford</b>									
F-150	--	21 - 23	3	FSF21HBL1	Front Bumper with Grille Guard	Yes	No	Yes	Yes
		21 - 23	3	FSF21HBL1C	Front Bumper with Grille Guard	Yes	Yes	Yes	Yes
		21 - 23	3	BSF21HBL1	Bullnose Front Bumper	Yes	Yes	Yes	Yes
		18 - 20	--	FSF18HBL1	Front Bumper with Grille Guard	No	Yes	Yes	Yes
		18 - 20	--	BSF18HBL1	Bullnose Front Bumper	No	No	Yes	Yes
		15 - 17	--	FSF15HBL1	Front Bumper with Grille Guard	Yes	Yes	Yes	Yes
		15 - 17	--	BSF15HBL1	Bullnose Front Bumper	No	No	Yes	Yes
		09 - 14	--	FSF09HBL1	Front Bumper with Grille Guard	Yes	Yes	Yes	Yes
		09 - 14	--	BSF09HBL1	Bullnose Front Bumper	No	No	Yes	Yes
		06 - 08	--	FSF06HBL1	Front Bumper with Grille Guard	No	No	Yes	Yes
F-250 / F-350 Super Duty	--	23 - 23	--	FSF231BL1	Front Bumper with Grille Guard	Yes	Yes	Yes	Yes
		17 - 22	--	FSF201BL1C	Front Bumper with Grille Guard	Yes	Yes	Yes	Yes
		17 - 22	--	FSF201BL1	Front Bumper with Grille Guard	Yes	No	Yes	Yes
		17 - 22	--	BSF201BL1	Bullnose Front Bumper	Yes	Yes	Yes	Yes
		11 - 16	--	FSF111BL1	Front Bumper with Grille Guard	Yes	No	Yes	Yes
		11 - 16	--	BSF111BL1	Bullnose Front Bumper	No	No	Yes	Yes
F-450 / F-550 Super Duty	--	17 - 22	--	BSF201BL1	Bullnose Front Bumper	Yes	Yes	Yes	Yes
		11 - 16	--	FSF111BL1	Front Bumper with Grille Guard	Yes	No	Yes	Yes
		11 - 16	--	BSF111BL1	Bullnose Front Bumper	No	No	Yes	Yes
<b>GMC</b>									
Sierra 1500	--	16 - 18	--	FSG16HBL1	Front Bumper with Grille Guard	Yes	No	Yes	Yes
		14 - 15	--	FSG14HBL1	Front Bumper with Grille Guard	Yes	No	Yes	Yes
		07 - 13	--	FSG08HBL1	Front Bumper with Grille Guard	No	No	Yes	Yes
		03 - 06	--	FSG03HBL1	Front Bumper with Grille Guard	No	No	Yes	Yes
Sierra 1500 Classic	--	07 - 07	--	FSG03HBL1	Front Bumper with Grille Guard	No	No	Yes	Yes
Sierra 1500 Limited	--	19 - 19	--	FSG16HBL1	Front Bumper with Grille Guard	Yes	No	Yes	Yes
Sierra 2500 HD (continued on following page)	--	20 - 23	1	FSG201BL1C	Front Bumper with Grille Guard	Yes	Yes	Yes	Yes
		20 - 23	1	FSG201BL1	Front Bumper with Grille Guard	Yes	No	Yes	Yes
		20 - 23	1	BSG201BL1*	Bullnose Front Bumper	Yes	Yes	Yes	Yes
		15 - 19	--	FSG151BL1	Front Bumper with Grille Guard	Yes	No	Yes	Yes
		15 - 19	--	BSG151BL1	Bullnose Front Bumper	Yes	No	Yes	Yes

1. Includes knock out for engine block heater plug
2. Requires cutting of the plastic bumper

3. Will lose functionality of motorized air dam
- \* Continued while supplies last

Applications continued on the following page



## Summit Series Bumpers

Make / Model	Style	Years	Footnote	Part #	Product Description	Retains			
						Park Sens	Frnt Cam	Tow Hks	Fog Lts
<b>GMC (continued)</b>									
Sierra 2500 HD (continued from previous page)	--	07 - 10	--	FSG081BL1*	Front Bumper with Grille Guard	No	No	Yes	Yes
		03 - 06	--	FSG031BL1	Front Bumper with Grille Guard	No	No	Yes	Yes
Sierra 2500 HD Classic	--	07 - 07	--	FSG031BL1	Front Bumper with Grille Guard	No	No	Yes	Yes
Sierra 3500	--	03 - 06	--	FSG031BL1	Front Bumper with Grille Guard	No	No	Yes	Yes
Sierra 3500 Classic	--	07 - 07	--	FSG031BL1	Front Bumper with Grille Guard	No	No	Yes	Yes
Sierra 3500 HD	--	20 - 23	1	FSG201BL1C	Front Bumper with Grille Guard	Yes	Yes	Yes	Yes
		20 - 23	1	FSG201BL1	Front Bumper with Grille Guard	Yes	No	Yes	Yes
		20 - 23	1	BSG201BL1*	Bullnose Front Bumper	Yes	Yes	Yes	Yes
		15 - 19	--	FSG151BL1	Front Bumper with Grille Guard	Yes	No	Yes	Yes
		15 - 19	--	BSG151BL1	Bullnose Front Bumper	Yes	No	Yes	Yes
		07 - 10	--	FSG081BL1*	Front Bumper with Grille Guard	No	No	Yes	Yes
<b>Ram</b>									
1500	Excluding diesel	19 - 24	--	FSD19HBL1C	Front Bumper with Grille Guard	Yes	Yes	No	Yes
	Excluding Express, Sport, and Tradesman	13 - 18	--	FSD13HBL1	Front Bumper with Grille Guard	No	No	Yes	Yes
1500 Classic	Excluding Express, Sport, and Tradesman	19 - 23	--	FSD13HBL1	Front Bumper with Grille Guard	No	No	Yes	Yes
2500 / 3500	--	19 - 24	--	FSD191BL1C	Front Bumper with Grille Guard	Yes	Yes	Yes	Yes
		19 - 24	--	FSD191BL1	Front Bumper with Grille Guard	Yes	No	Yes	Yes
		11 - 18	--	FSD101BL1S	Front Bumper with Grille Guard	Yes	No	Yes	Yes
	Excluding Express and Sport	11 - 18	--	BSD101BL1S	Bullnose Front Bumper	No	No	Yes	Yes
4500 / 5500	--	11 - 18	--	FSD101BL1S	Front Bumper with Grille Guard	Yes	No	Yes	Yes
	Excluding Express and Sport	11 - 18	--	BSD101BL1S	Bullnose Front Bumper	No	No	Yes	Yes
<b>Toyota</b>									
Tundra	--	14 - 21	2	FST14HBL1	Front Bumper with Grille Guard	No	No	Yes	Yes
		14 - 21	2	BST14HBL1	Bullnose Front Bumper	No	Yes	Yes	Yes
		07 - 13	2	FST07HBL1	Front Bumper with Grille Guard	No	No	Yes	Yes
		07 - 13	2	BST07HBL1	Bullnose Front Bumper	No	No	Yes	Yes

1. Includes knock out for engine block heater plug

2. Requires cutting of the plastic bumper

3. Will lose functionality of motorized air dam

\* Continued while supplies last

# SPORT™ SERIES







# TAME THE WILD & INDOMITABLE.

Built for those who brave challenges others elude — the Sport™ is made for heavy-duty work and recovery and is trusted by fire and wildland teams across the Nation. Fabricated by hand in Shiner, Texas, and capable of housing a 16,500 lb. winch — it's built to protect and recover you from any kind of mishap you encounter on the backroads or jobsite.

# SPORT™ FRONT BUMPER WITH GRILLE GUARD

## Product Details

- Winch compatible on most models and rated for up to 16,500 lbs. of heavy-duty work and recovery
- High-strength, 1/4" formed C-channel and 3/16" thick diamond-plate steel construction for heavy-duty use
- One-piece welded fabrication prevents rattling
- Perforated 12-gauge steel protects the truck grille from brush and road debris
- Constructed with 5/16" uprights for high-tensile strength and unrivaled toughness and durability
- Custom punched grille inserts to match truck manufacturer's grille pattern
- Comes standard with 2" receiver for towing or other attachments
- Super polyester black powder coat finish for superior corrosion resistance
- Retains factory fog lights and tow hooks, if equipped
- Compatible with front-facing sensors (Options available to accommodate front-facing cameras)

See page 62 for application information



## Robustly built to confront the inhospitable.



The Sport front bumper with grille guard is built for heavy-duty work and recovery and is made to house a 16,500 lb. Warn winch



Fabricated with high-strength, 1/4" formed C-channel steel and 3/16" diamond-plate steel for unrivaled strength and durability



Comes standard with a 12-gauge, wrap-around full grille guard and 2" receiver for towing for other attachments

## Finish & Material

**Finish:**  
Gloss black powder coat

**Material:**  
Carbon steel





Ram 5500

## BUMPER ACCESSORIES

### Universal Rubber Upright Pads

- Rubber stripping to protect grille guard uprights and finish
- Constructed from tough black rubber
- Easy, friction-fit installation
- Includes two rubber strips

Part #	Fits
RUPU	Legend grille guard and Legend, Summit and Sport front bumpers with grille guard



# SPORT™ REAR BUMPER

## Product Details

- High-strength, 1/4" formed C-channel and 3/16" thick diamond-plate steel construction for heavy-duty use
- Super polyester black powder coat finish for superior corrosion resistance
- Built-in bumper step for easier truck bed access
- Comes standard with 6" LED oval lights for improved rear visibility
- Compatible with factory towing receiver hitch

See page 62 for application information



## Built tough to protect and enhance safety.



Made with solid 3/16" formed C-channel and a diamond-plate steel construction for unrivaled strength and durability



Features built-in side-pocketed steps that provide easy, comfortable truck bed access (select applications)



The Sport comes standard with backup / work lights and retains use of your factory hitch for added convenience when upgrading

## Finish & Material

**Finish:**  
Gloss black powder coat

**Material:**  
Carbon steel





**Ford F-250 Super Duty**

## BUMPER ACCESSORIES

### 6" Oval LED Light

- Designed for use as a back-up light or flood light for extra night-time visibility
- 6" wide, flush-mount style flood light with oval design provides improved rear visibility
- Constructed with LEDs for bright, long-lasting light
- Fitted with blunt-cut wires to be readily installed
- Includes one LED light only

Part #	Fits
LEDLIGHTCLEAR	Select Legend and Sport rear bumpers



LEDLIGHTCLEAR



### LED License Plate Light

- Provides nighttime visibility to license plate
- Fits Ranch Hand rear bumper license plate light hole
- Constructed with LEDs for bright, long-lasting light
- Fitted with blunt-cut wires to be readily installed
- Includes one LED light only

Part #	Fits
LEDLICENSELIGHT	Midnight, Legend and Sport rear bumpers



LEDLICENSELIGHT







Scan for current applications  
or visit ranchhand.com



## SPORT™ SERIES APPLICATION GUIDE

### Sport Series Bumpers

Make / Model	Style	Years	Footnote	Part #	Product Description	Retains			
						Park Sens	Frnt Cam	Tow Hks	Fog Lts
<b>Chevrolet</b>									
Silverado 1500	Side exhaust only	19 - 24	3	SBC201BLSL	Rear Bumper	Yes	--	Yes	Yes
	Dual exhaust only	19 - 24	3	SBC19HBLSE	Rear Bumper	Yes	--	Yes	Yes
	--	14 - 18	3	SBC14HBLSL	Rear Bumper	Yes	--	No	Yes
		07 - 13	1, 3	SBC08HBLSL	Rear Bumper	Yes	--	Yes	Yes
Silverado 1500 LD	--	19 - 19	3	SBC14HBLSL	Rear Bumper	Yes	--	No	Yes
Silverado 1500 LTD	Dual exhaust only	22 - 22	3	SBC19HBLSE	Rear Bumper	Yes	--	Yes	Yes
Silverado 2500 / 3500 HD	--	20 - 24	3	SBC201BLSL	Rear Bumper	Yes	--	Yes	Yes
		15 - 19	2	FBC155BLR	Front Bumper with Grille Guard	Yes	No	Yes	Yes
		15 - 19	3	SBC151BLSL	Rear Bumper	Yes	--	Yes	Yes
		11 - 14	2	FBC115BLR	Front Bumper with Grille Guard	No	No	Yes	Yes
		11 - 14	1, 3	SBC111BLSL	Rear Bumper	Yes	--	Yes	Yes
07 - 10	3	SBC081BLSL	Rear Bumper	Yes	--	Yes	Yes		
<b>Dodge</b>									
Ram 1500	Side exhaust only	09 - 10	3	SBD09HBLSL	Rear Bumper	Yes	--	Yes	Yes
	Dual exhaust only	09 - 10	3	SBD09HBLSE	Rear Bumper	Yes	--	Yes	Yes
	--	06 - 09	2	FBD065BLR	Front Bumper with Grille Guard	No	No	Yes	Yes
		02 - 09	3	SBD031BLL	Rear Bumper	No	--	Yes	Yes
Ram 2500 / 3500	--	10 - 10	2	FBD105BLRS	Front Bumper with Grille Guard	Yes	No	Yes	Yes
	Side exhaust only	10 - 10	3	SBD09HBLSL	Rear Bumper	Yes	--	Yes	Yes
	--	06 - 09	2	FBD065BLR	Front Bumper with Grille Guard	No	No	Yes	Yes
03 - 09		3	SBD031BLL	Rear Bumper	No	--	Yes	Yes	
Ram 4500	--	10 - 10	2	FBD105BLRS	Front Bumper with Grille Guard	Yes	No	Yes	Yes
Ram 5500	--	10 - 10	2	FBD105BLRS	Front Bumper with Grille Guard	Yes	No	Yes	Yes

1. Can get to spare but cannot use lock  
2. Winch capacity of 15,000 lbs.

3. Retains factory receiver  
\* Continued while supplies last



## Sport Series Bumpers

Make / Model	Style	Years	Footnote	Part #	Product Description	Retains			
						Park Sens	Frnt Cam	Tow Hks	Fog Lts
<b>Ford</b>									
Excursion	--	05 - 05	2	FBF055BLR	Front Bumper with Grille Guard	No	No	No	Yes
		00 - 04	2	FBF995BLR	Front Bumper with Grille Guard	No	No	No	Yes
F-150	--	21 - 23	3	SBF21HBLSL	Rear Bumper	Yes	--	--	--
		Excl. models with brushed aluminum tailgate panel	15 - 20	3	SBF15HBLSL	Rear Bumper	Yes	--	Yes
	Crew cab	09 - 14	3	SBF09HBLSL	Rear Bumper	Yes	--	Yes	Yes
		06 - 08	3	SBF06HBLSL*	Rear Bumper	Yes	--	Yes	Yes
F-250 / F-350 Super Duty	--	17 - 22	2	FBF205BLR	Front Bumper with Grille Guard	Yes	Yes	Yes	Yes
		16 - 16	3	SBF161BLSL	Rear Bumper	Yes	--	Yes	Yes
		11 - 16	2	FBF115BLR	Front Bumper with Grille Guard	No	No	Yes	Yes
		08 - 15	3	SBF081BLSL	Rear Bumper	Yes	--	Yes	Yes
		08 - 10	2	FBF085BLR	Front Bumper with Grille Guard	No	No	Yes	Yes
		05 - 07	2	FBF055BLR	Front Bumper with Grille Guard	No	No	No	Yes
		99 - 04	2	FBF995BLR	Front Bumper with Grille Guard	No	No	No	Yes
F-450 / F-550 Super Duty	--	17 - 23	3	SBF231BLSL	Rear Bumper	Yes	--	--	--
		11 - 16	2	FBF115BLR	Front Bumper with Grille Guard	No	No	Yes	Yes
		08 - 10	2	FBF085BLR	Front Bumper with Grille Guard	No	No	Yes	Yes
		05 - 07	2	FBF055BLR	Front Bumper with Grille Guard	No	No	No	Yes
		99 - 04	2	FBF995BLR	Front Bumper with Grille Guard	No	No	No	Yes
<b>GMC</b>									
Sierra 1500	Side exhaust only	19 - 24	3	SBC201BLSL	Rear Bumper	Yes	--	Yes	Yes
	Dual exhaust only	19 - 24	3	SBC19HBLSE	Rear Bumper	Yes	--	Yes	Yes
	--	14 - 18	3	SBC14HBLSL	Rear Bumper	Yes	--	No	Yes
		07 - 13	1, 3	SBC08HBLSL	Rear Bumper	Yes	--	Yes	Yes
Sierra 1500 Limited	Dual exhaust only	22 - 22	3	SBC19HBLSE	Rear Bumper	Yes	--	Yes	Yes
	--	19 - 19	3	SBC14HBLSL	Rear Bumper	Yes	--	No	Yes
Sierra 2500 / 3500 HD	--	20 - 24	3	SBC201BLSL	Rear Bumper	Yes	--	Yes	Yes
		15 - 19	3	SBC151BLSL	Rear Bumper	Yes	--	Yes	Yes
		11 - 14	2	FBG115BLR*	Front Bumper with Grille Guard	No	No	Yes	Yes
		11 - 14	1, 3	SBC111BLSL	Rear Bumper	Yes	--	Yes	Yes
		07 - 10	3	SBC081BLSL	Rear Bumper	Yes	--	Yes	Yes
<b>Ram</b>									
1500	Side exhaust only, excluding diesel	19 - 24	3	SBD19HBLSL	Rear Bumper	Yes	--	Yes	Yes
	Dual exhaust only	19 - 24	3	SBD19HBLSE	Rear Bumper	Yes	--	Yes	Yes
	Side exhaust only	11 - 18	3	SBD09HBLSL	Rear Bumper	Yes	--	Yes	Yes
	Dual exhaust only	11 - 18	3	SBD09HBLSE	Rear Bumper	Yes	--	Yes	Yes
1500 Classic	Side exhaust only	19 - 23	3	SBD09HBLSL	Rear Bumper	Yes	--	Yes	Yes
	Dual exhaust only	19 - 23	3	SBD09HBLSE	Rear Bumper	Yes	--	Yes	Yes
2500 / 3500	--	19 - 24	2	FBD195BLRC	Front Bumper with Grille Guard	Yes	Yes	Yes	Yes
		19 - 24	3	SBD191BLSL	Rear Bumper	Yes	--	Yes	Yes
		11 - 18	2	FBD105BLRS	Front Bumper with Grille Guard	Yes	No	Yes	Yes
	Side exhaust only	11 - 18	3	SBD09HBLSL	Rear Bumper	Yes	--	Yes	Yes
4500 / 5500	--	11 - 18	2	FBD105BLRS	Front Bumper with Grille Guard	Yes	No	Yes	Yes
<b>Toyota</b>									
Tundra	--	14 - 21	3	SBT14HBLL	Rear Bumper	No	--	Yes	Yes
		07 - 13	3	SBT071BLL	Rear Bumper	No	--	Yes	Yes

1. Can get to spare but cannot use lock  
 2. Winch capacity of 15,000 lbs.

3. Retains factory receiver  
 \* Continued while supplies last



# LIMITED LIFETIME WARRANTY

RANCH HAND provides limited lifetime warranty coverage against defects in factory workmanship and materials for RANCH HAND products ("Products") sold by factory authorized dealers for use by retail (end use) consumers. This Limited Warranty is provided only to the original Product consumer, and applies only to the original installation. This Limited Warranty is not transferrable and does not extend or apply to anyone else. For consumers in the U.S.: this Limited Warranty gives you specific legal rights; you also may have other rights, which vary from state to state.

This Limited Warranty is the sole and exclusive warranty provided by RANCH HAND, and all other warranties and conditions are excluded and disclaimed. **UNDER THE LAW OF CERTAIN STATES, THERE MAY BE NO IMPLIED CONDITIONS OR WARRANTIES FROM RANCH HAND APPLICABLE TO YOUR PRODUCT, AND ALL IMPLIED CONDITIONS OR WARRANTIES (INCLUDING ANY WARRANTY OF MERCHANTABILITY OR FITNESS FOR A PARTICULAR PURPOSE) ARE EXCLUDED AND DISCLAIMED WHERE ALLOWED BY LAW.** If implied warranties are imposed under any applicable state law, all such implied warranties are limited to the duration of the applicable provisions of this Limited Warranty. For consumers in the U.S.: some states do not allow limitations on how long an implied warranty lasts, so the above limitation may not apply to you.

## COVERED PRODUCTS AND LIMITATIONS

RANCH HAND provides the following Limited Warranty coverage:

Product	Workmanship & Materials	Components & Parts	Finishings & Coatings
All powder coat over carbon steel	Limited lifetime	1-year	1-year
Electrical and wiring	1-year	1-year	1-year
Other accessories	Limited lifetime	1-year	1-year

Each of the warranty coverage periods runs from the date of purchase of the Product (proof of purchase is required) and applies only to warranted defects that first occur and are reported to RANCH HAND within the applicable warranty period. RANCH HAND retains the right to determine to its reasonable satisfaction whether any claimed defect is covered by this Limited Warranty.

Certain items are excluded from Limited Warranty coverage by RANCH HAND, and this **Limited Warranty coverage does not apply to:**

- Wear and tear from normal use, including damage from road debris
- Improper product selection, application, installation or maintenance
- Modifications, including the attachment of other hardware or components
- Misuse, abuse, overloading, improper trailering or hauling, accident
- Corrosion or damage due to environmental conditions

## REMEDIES UNDER THIS LIMITED WARRANTY

If a defect covered by this warranty occurs, RANCH HAND will repair or replace the Product, or refund the purchase price, in its sole discretion. This "repair, replacement or refund" remedy is the **sole and exclusive remedy** under this Limited Warranty. RANCH HAND has **no responsibility or liability for any incidental or consequential damages**, such as loss of use of vehicles or trailers, towing charges, storage charges, labor and service charges for removing or reinstalling products, loss of or damage to personal property, or interest or finance charges, all of which are specifically **excluded and disclaimed** from this Limited Warranty. For consumers in the U.S.: some states do not allow the exclusion or limitation of incidental or consequential damages, so the above limitation or exclusion may not apply to you.

## RESPONSIBILITY OF PURCHASER

The Purchaser must have proof of purchase to obtain service under this Limited Warranty. Contact RANCH HAND for a Returned Goods Authorization (RGA) and return instructions; RANCH HAND will not accept Products unless an RGA has been issued. The Purchaser must deliver the Product to RANCH HAND or an authorized RANCH HAND dealer along with the RGA number and proof of purchase.

The RANCH HAND Limited Warranty policy in effect on the date you purchased your Product determines the applicable warranty coverage, and subsequent or prior RANCH HAND warranties are not applicable to your Product. The terms of this Limited Warranty cannot be changed or modified, except by a written agreement signed by an officer of RANCH HAND. RANCH HAND reserves the right to improve its products through changes in design or materials without being obligated to the owners of the Products of the same or similar models.

Contact information:

**RANCH HAND Headquarters**  
6208 Industrial Drive  
Eau Claire, WI 54701  
800.366.9712