



R-BIKE VAN BIKE CARRIER

This multi-purpose bike carrier can be installed on the back, right-side door of the van and allows the door to be opened when bikes are loaded. It is compatible with multiple accessories to allow you to convert it into a multi-use carrier for ski's or snowboards.



THE TOUGHEST MULTI-PURPOSE BIKE CARRIER ON EARTH

Anti-vibration design



Built-in anti-vibration device deters unwanted noise when traveling on rough terrain

Secure connections



Robust and secure construction protects valuable bikes

Compact storage



Tray-style rail folds up when not in use for compact storage

Three-bike capacity



Holds two E-bikes or standard bikes (up to three standard bikes with 3RAIL accessory)

Additional Features

- Lightweight aluminum frame is corrosion-resistant
- Customizable design for easy install and mounting
- Compatible with multiple R-BIKE VAN accessories
- Multiple R-BIKE VAN replacements parts available
- Meets ECER26 vehicle safety mounting regulations
- Available in four finish options



Total black



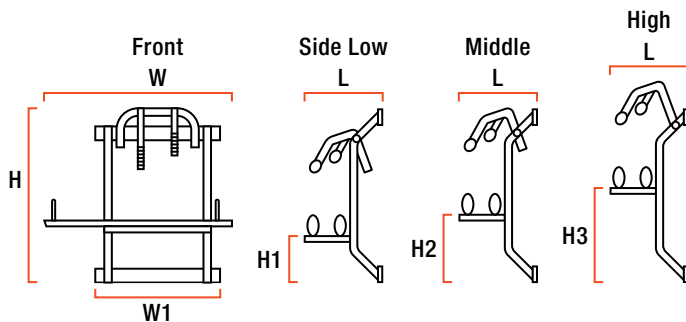
Total grey



Total white



Total alu



In low / middle position it is mandatory to use license plate bar with light unit

Accessories

- **R-BAR**
Converts R-BIKE VAN into a multi-use carrier
- **R-SKIRUN** (see front pg)
Transport two pairs of skis or one snowboard
- **R-BIKE 3RAIL**
Transport three standard bikes
- **R-BRAKO PLIE**
Locking arm provides enhanced bike security
- **R-WIRE**
Cinching straps provide enhanced bike security



Van Model	Years	↕ W	↕ W1	↕ H	↕ H1	↕ H2	↕ H3	↕ L	🛒	🛒
Fiat Ducato	2006+	1.328 mm	825 mm	1.259 mm	284 mm	484 mm	684 mm	564 mm	10 kg	50 kg
Ford Transit	2014+	1.328 mm	847 mm	1.509 mm	191 mm	391 mm	591 mm	610 mm	10,5 kg	50 kg
Mercedes-Benz Sprinter	2020+	1.328 mm	831 mm	1.412 mm	191 mm	391 mm	591 mm	610 mm	10,5 kg	50 kg
Volkswagen Crafter	2017+	1.328 mm	821 mm	1.353 mm	191 mm	391 mm	591 mm	610 mm	10,5 kg	50 kg
Renault Master	2014+	1.328 mm	847 mm	1.509 mm	191 mm	391 mm	591 mm	610 mm	10,5 kg	50 kg