

# Furrion eRove™ 50QT Electric Cooler



## Keep it cool no matter where you are.

The Furrion eRove™ has been designed to accompany you on all your outdoor adventures. Using compressor technology and Furrion ePod™ battery, this iceless cooler keeps your food and drinks cold for up to 5 days thanks to its low energy consumption and smart presets.

Equipped with a wheel kit, the sleek and robust design is ideal for cooling on-the-go regardless of weather conditions.

## Key Benefits

**Up to 5-day ice retention without power supply:** With high-performance foam insulation technology, Furrion eRove™ will retain ice for up to 5 days. Thanks to its low energy consumption and its smart mode, the Furrion eRove™ electric cooler gives you the assurance of cold drinks and fresh food even when you are completely off-grid.

**The perfect travel companion:** Harness the power of the sun to keep your cooler running longer. Furrion eRove™ and Furrion ePod™ batteries are compatible with Furrion Solar Panels for a modern and sustainable energy solution. The efficient 12V DC input regulates the current for peak charging, giving you an efficient backup power source whenever you need it.

**Charge on the Go:** The Furrion eRove portable electric cooler features 3 USBs ports and the latest wireless charging technology to keep your favorite devices fully charged when your Furrion eRove™ is plugged into AC or while using the ePod™ while you are on the go.

## Main Features



CAPABLE OF FREEZING TO -8°F



COMPATIBLE WITH FURRION EPOD™ BATTERY



SOLAR RECHARGEABLE



LCD DIGITAL DISPLAY



WIRELESS CHARGING



SMART MODES



INTERIOR LED LIGHTS



2 USB 2.0  
1 USB 3.0



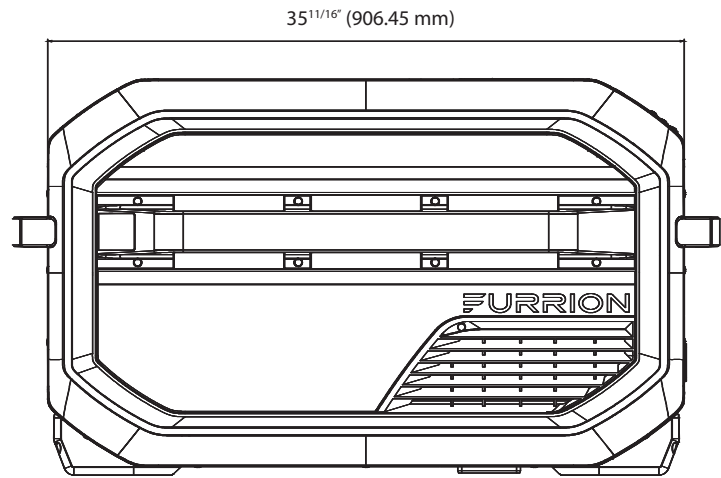
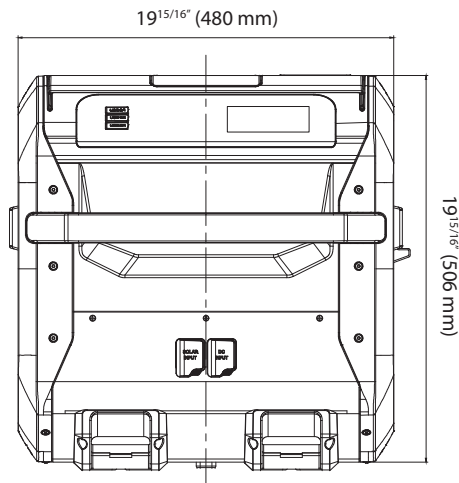
EASY MOBILITY WITH WHEEL KIT\*

## Functions

- Beverage mode
- Freezer mode
- Eco-mode
- Wireless Charging
- 1x USB 3.0
- 2x USB 2.0

# FURRION

\*Results may vary according to testing conditions \*Wheel Kit Sold separately



## Specifications

|                               |  |
|-------------------------------|--|
| Capacity (quarts/liter)       | 49 / 46.1  |
| Can Capacity                  | 72   |
| Refrigeration Technology      | Compressor   |
| Preset Programs               | Freezer, Beverage, ECO, USB                        |
| Control Type                  | Electronic   |
| Handle                        | Retractable Pull Handle                            |
| Wheels                        | Detachable   |
| Interior LED Lights           | Dry storage and cooling compartments               |
| Compatible with               | Furrion ePod™ Battery<br>Furrion Solar Panel ≥100w |
| Accessories (Sold Separately) | Umbrella holder, Dual cup holder, Wheel kit        |
| Voltage                       | 12V DC   |
| Refrigerant                   | R134a  |
| Temperature setting           | -8 °F to +50 °F (-22 °C to +10 °C)                 |
| Noise Level                   | ≤ 45dB(A)  |
| Weatherproof                  | √  |
| Flushback Skin Evaporator     | √  |
| AC/DC Adaptor                 | √  |
| Bottle Opener                 | √  |
| Quick Drain                   | √  |
| Serving Tray                  | √  |

## Dimensions

|                            |                        |
|----------------------------|------------------------|
| Product Size (W x L x H)   | 20.12 x 19.93 x 35.62" |
|                            | 512 x 507 x 906 mm     |
| eRove™ Net Weight (lbs/kg) | 63.8 / 28.9            |



FBN12C33A1

# Furrion ePod™ Battery

---



## Main Features

---



EXPANDABLE SWAPPABLE  
DESIGN, INCREASE USABILITY



LITHIUM ION HIGH  
CAPACITY BATTERY



LONG LASTING  
SHELF LIFE STORAGE



UP TO 500 CHARGING  
CYCLE

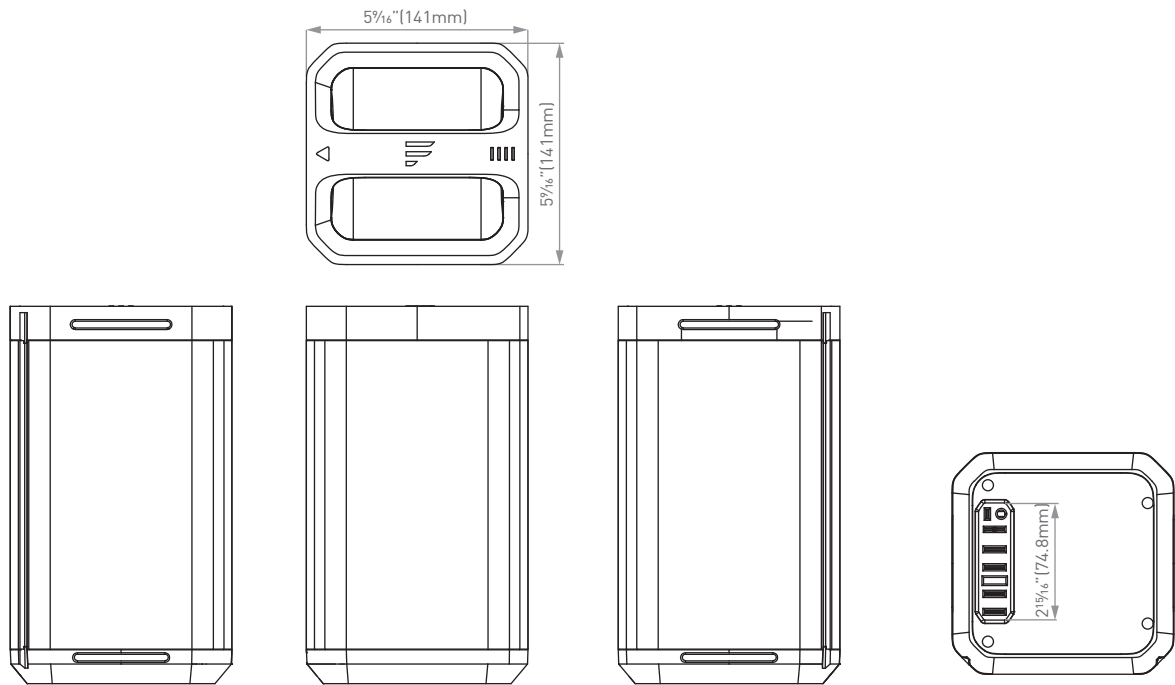


OVERCURRENT AND  
OVERLOAD PROTECTION



OVER DISCHARGE  
PROTECTION INCREASE  
LIFESPAN

**FURRION**



#### Part Number

#### Product

FPP04A40-BL



## Specifications

|                                |   |
|--------------------------------|---|
| Battery Type                   | 18650 Lithium Ion Cells, 44 total cells |
| Output Voltage                 | 14.4V                                   |
| Current                        | 35A                                     |
| Battery Cycles                 | 500 minimum                             |
| Built-in Charger Input         | 10.5V - 24V                             |
| Built-in Charger Input Power   | <100W                                   |
| Battery Capacity               | 412Wh (114,400mAh @3.6V)                |
| Over Charge Voltage Protection | ✓                                       |
| Short Circuit Protection       | ✓                                       |
| Automatic Power Cut Off        | ✓                                       |
| Over Discharge                 | ✓                                       |
| Over Current Protection        | ✓                                       |
| Material                       | ABS + Aluminium                         |
| Operating Temperature          | 32-104°F / 0-40°C                       |
| Weight (lbs/kg)                | 9.5lbs / 4.3kg                          |
| Product Size (WxHxD)           | 5.6 x 9.5 x 5.6"<br>(141 x 241 x 141mm) |

FBN12C33A1-V1.8



FSPK10MWN-BL

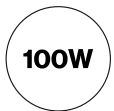
# 100W KICKSTAND SOLAR PANEL

---



## Main Features

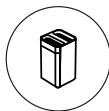
---



MAXIMUM  
POWER



UP TO 20%  
CELL EFFICIENCY



COMPATIBLE WITH  
FURRIION ePOD™



COMPATIBLE WITH FURRIION  
10A PWM CHARGER



PERFORMS WELL  
EVEN IN WEAK LIGHT



WATERPROOF



ALUMINIUM FRAME WITH  
CORNER PROTECTION

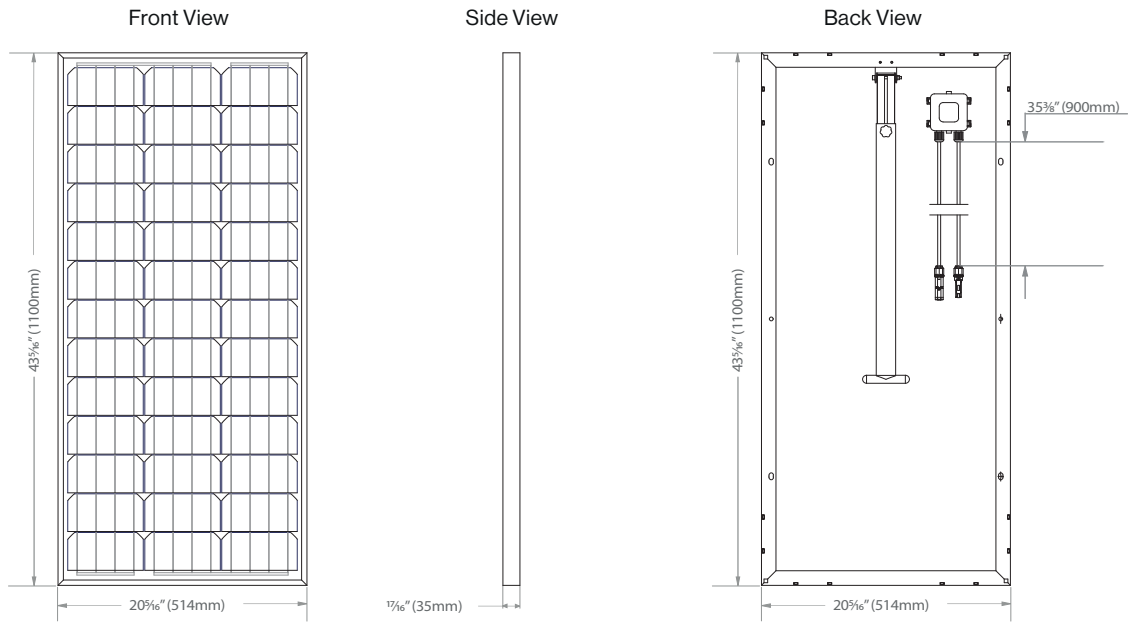


RETRACTABLE  
KICKSTAND



15 FT  
PV CABLE

**FURRIION**



## Specifications

|                             |                                   |
|-----------------------------|-----------------------------------|
| Maximum power (Pmax)        | 100W                              |
| Rated Voltage(Vmp)          | 17V                               |
| Rated Current (Imp)         | 5.92A                             |
| Open Circuit Voltage (Voc)  | 20.9V                             |
| Short Circuit Current (Isc) | 6.13V                             |
| Solar Cell Type             | Monocrystalline                   |
|                             | 77°F / 25°C, 1000W/m <sup>2</sup> |
| Test Condition              | Irradiance and AM1.5              |
| Connector Type              | Furion Solar connectors           |

## Dimensions & Weight

|                                  |   |
|----------------------------------|---|
| Product Dimensions (W x H x D)   | 34.25 x 26.37 x 1.44"<br>(870 x 670 x 35mm) |
| Packaging Type                   | Carton Box                                  |
| Quantity Per Box (pcs)           | 1   |
| Packaging Dimensions (W x H x D) | 35.37 x 27.18 x 2.18"<br>(890 x 690 x 55mm) |
| Net Weight (lbs/kg)              | 17.63/8.0                                   |
| Gross Weight (lbs/kg)            | 18.08/8.2                                   |

| Part Number  | Product   |
|--------------|---|
| FSPK10MWD-BL | 100W Kickstand Solar Panel, ePod Adapter Bundle kit |
| FSPK10MWT-BL | 100W Kickstand Solar Panel, 10A PWM Bundle kit      |