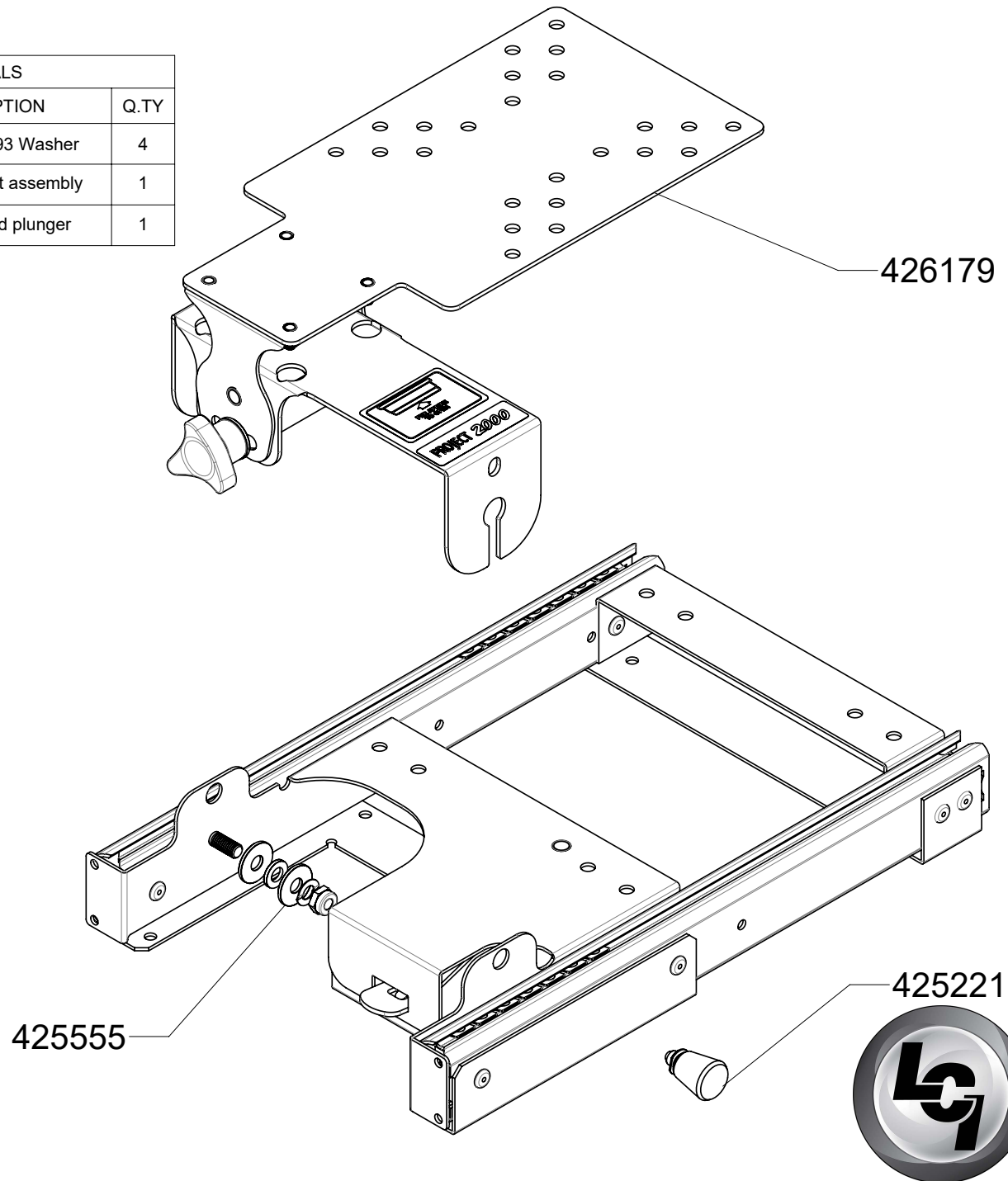


BILL OF MATERIALS		
SPARE #	DESCRIPTION	Q.TY
425555	Ø 6,6 UNI 6593 Washer	4
426179	RH TV support assembly	1
425221	Spring loaded plunger	1



LIPPERT
COMPONENTS®