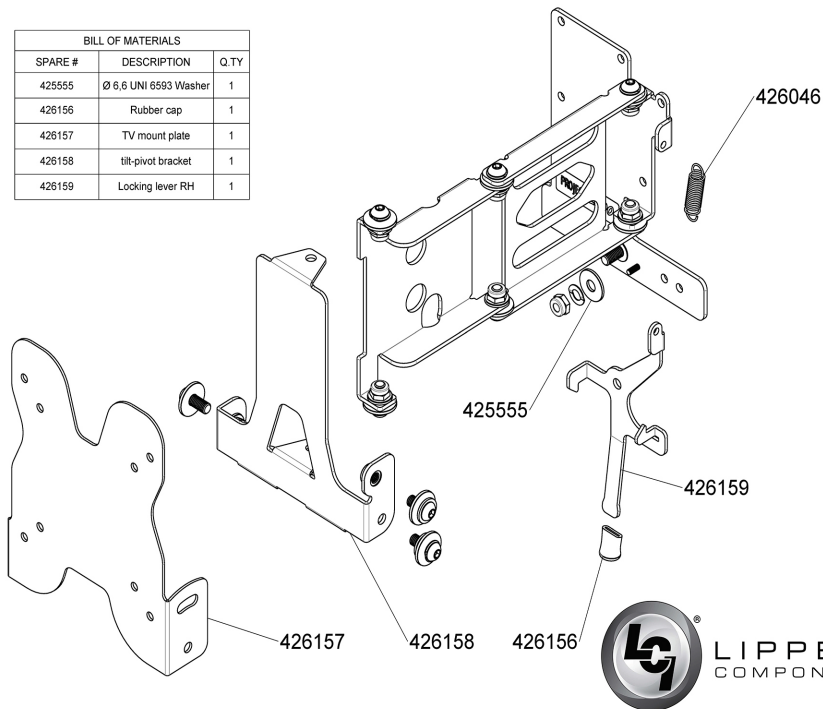


BILL OF MATERIALS		
SPARE #	DESCRIPTION	Q.TY
425555	Ø 6,6 UNI 6593 Washer	1
426156	Rubber cap	1
426157	TV mount plate	1
426158	tilt-pivot bracket	1
426159	Locking lever RH	1



LIPPERT
COMPONENTS®