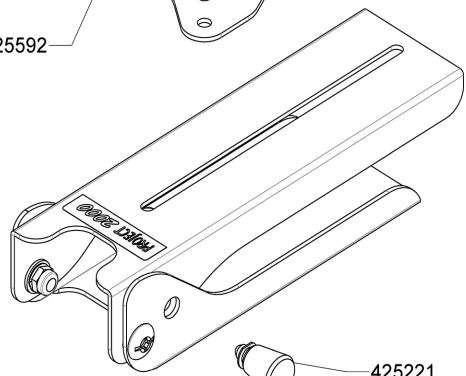
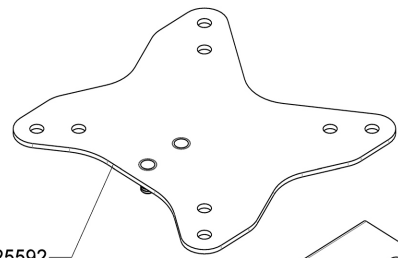
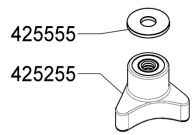


BILL OF MATERIALS		
SPARE #	DESCRIPTION	Q.TY
425221	Spring loaded plunger	1
425255	M8x25 Female Knob	1
425555	Ø 6,6 UNI 6593 Washer	1
425592	TV mount plate	1

425592



425221



425555

425255



LIPPERT
COMPONENTS®