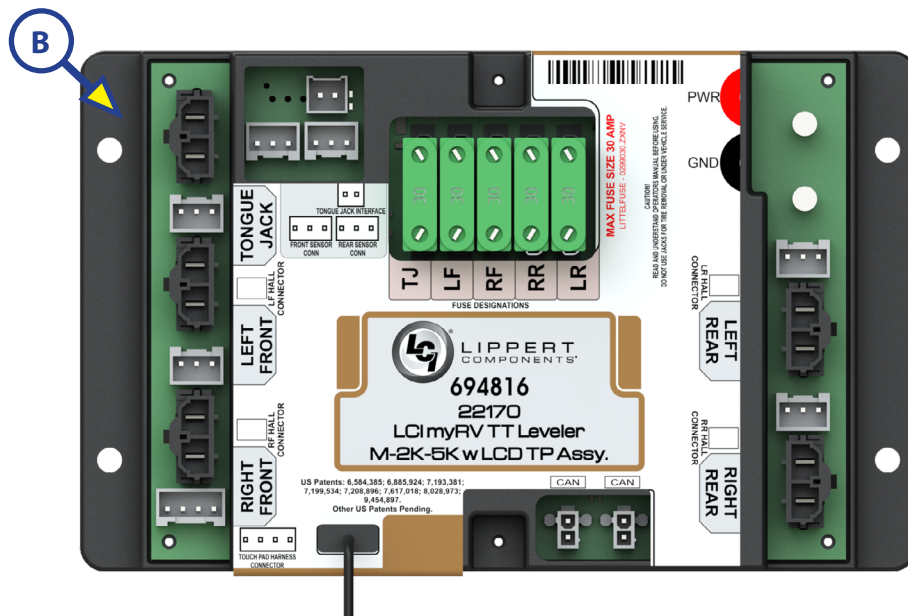
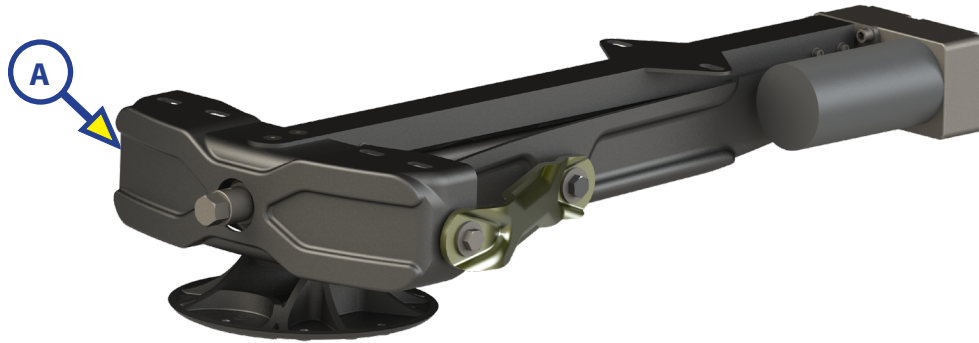


ELECTRIC LEVELING (EU) COMPONENTS

LEVELING AND STABILIZATION

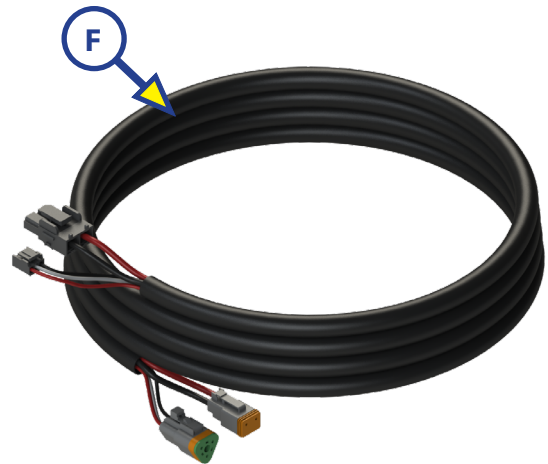
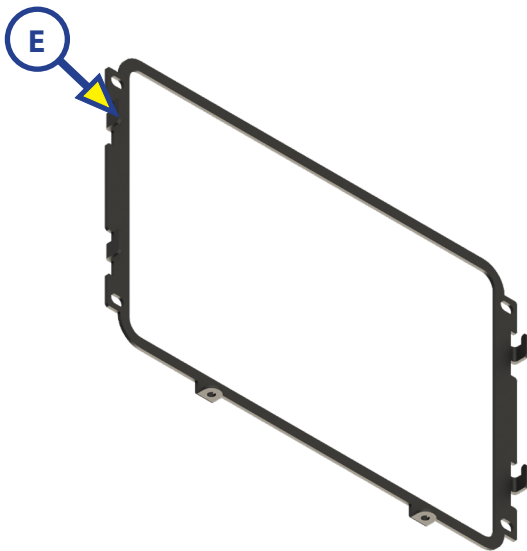
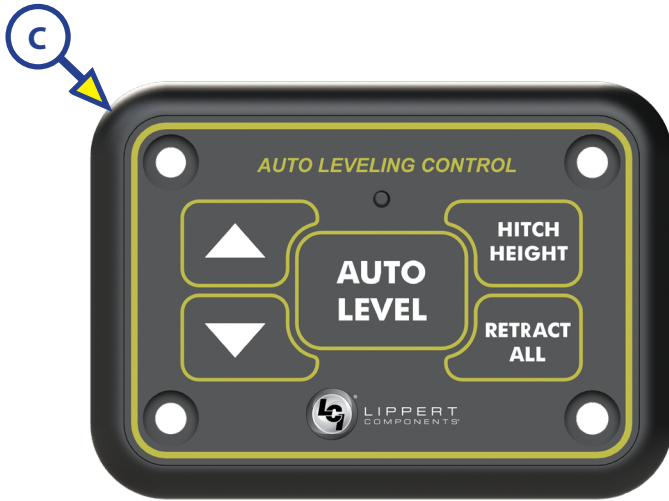
NOTE: Part numbers are shown for identification purposes only. Not all parts are available for individual sale. All parts with a link to the Lippert Store can be purchased.



Callout	US Part #	EU Part #	Description
A	742393	771021	C-Jack
B	694816	770792	Controller

ELECTRIC LEVELING (EU) COMPONENTS

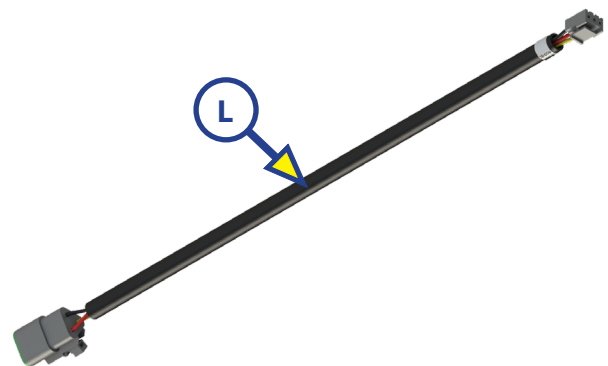
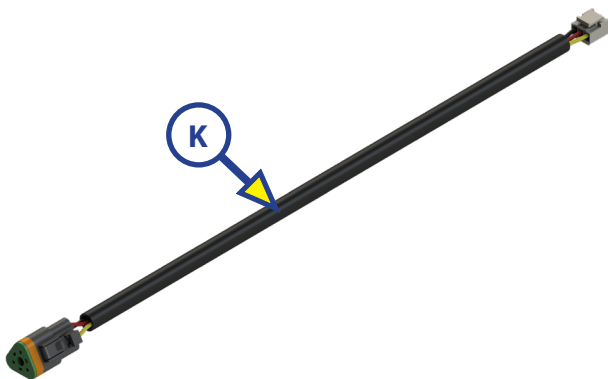
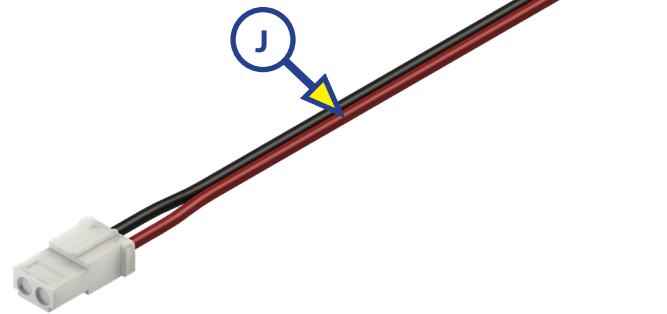
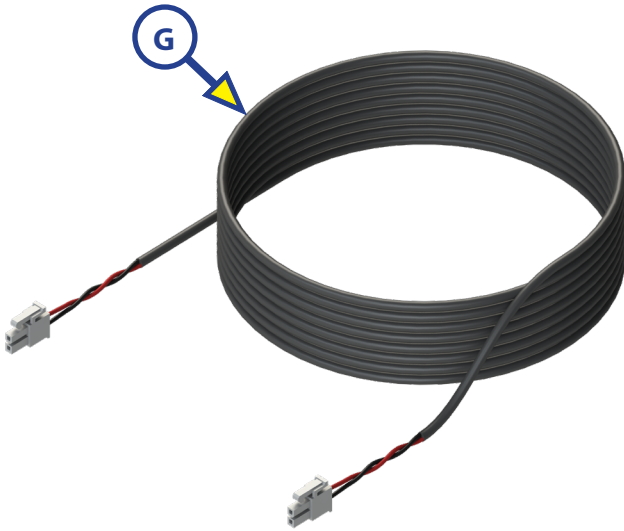
LEVELING AND STABILIZATION



Callout	US Part #	EU Part #	Description
C	425306	21208-B	Auto Leveling Touchpad
D	675806	21095-a	OneControl Touch Panel
E	644577	21096-a	OneControl Touch Panel Mounting Bracket
F	307489	770808	Hall Effect Sensor Harness (Right Front)
	307490	770809	Hall Effect Sensor Harness (Left Front)
	305115	770806	Hall Effect Sensor Harness (Right Rear)
	306298	770807	Hall Effect Sensor Harness (Left Rear)

ELECTRIC LEVELING (EU) COMPONENTS

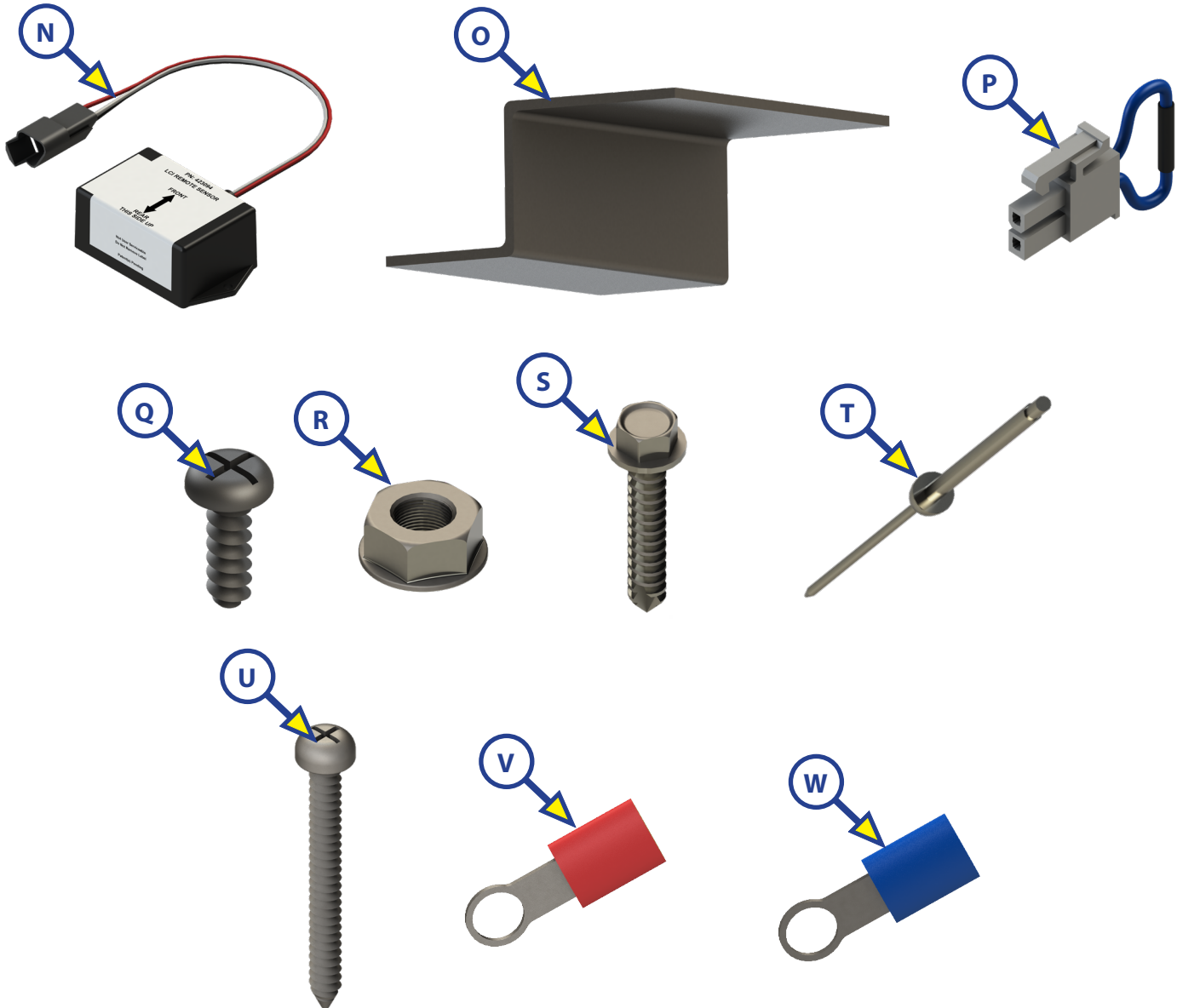
LEVELING AND STABILIZATION



Callout	US Part #	EU Part #	Description
G	331116	770804	Canbus Data Harness
H	425585	8600011	4-Pin Pigtail Harness
I	426526	770810	Power and Ground Supply Harness
J	329080	19692-a	Canbus Power Connector
K	243688	770805	Harness Brain to Remote Sensor, Rear
L	434431	770811	Harness Brain to Remote Sensor, Front

ELECTRIC LEVELING (EU) COMPONENTS

LEVELING AND STABILIZATION



Callout	US Part #	EU Part #	Description
N	423094	21222-a	Leveling Sensor
O	N/A	771022	Z-bracket
P	333041	18642	Canbus Terminating Resistor
Q	644580	N/A	Steel Pan Head Phillips Sheet Metal Screw
R	117892	N/A	Hex Nut, GR 5, Zinc
S	178212	N/A	Hex Head Screw, Self Drill
T	N/A	N/A	Blind Rivet
U	644579	N/A	Steel Pan Head Phillips Sheet Metal Screw
V	178373	N/A	Cable Connector
W	161401	N/A	Cable Connector