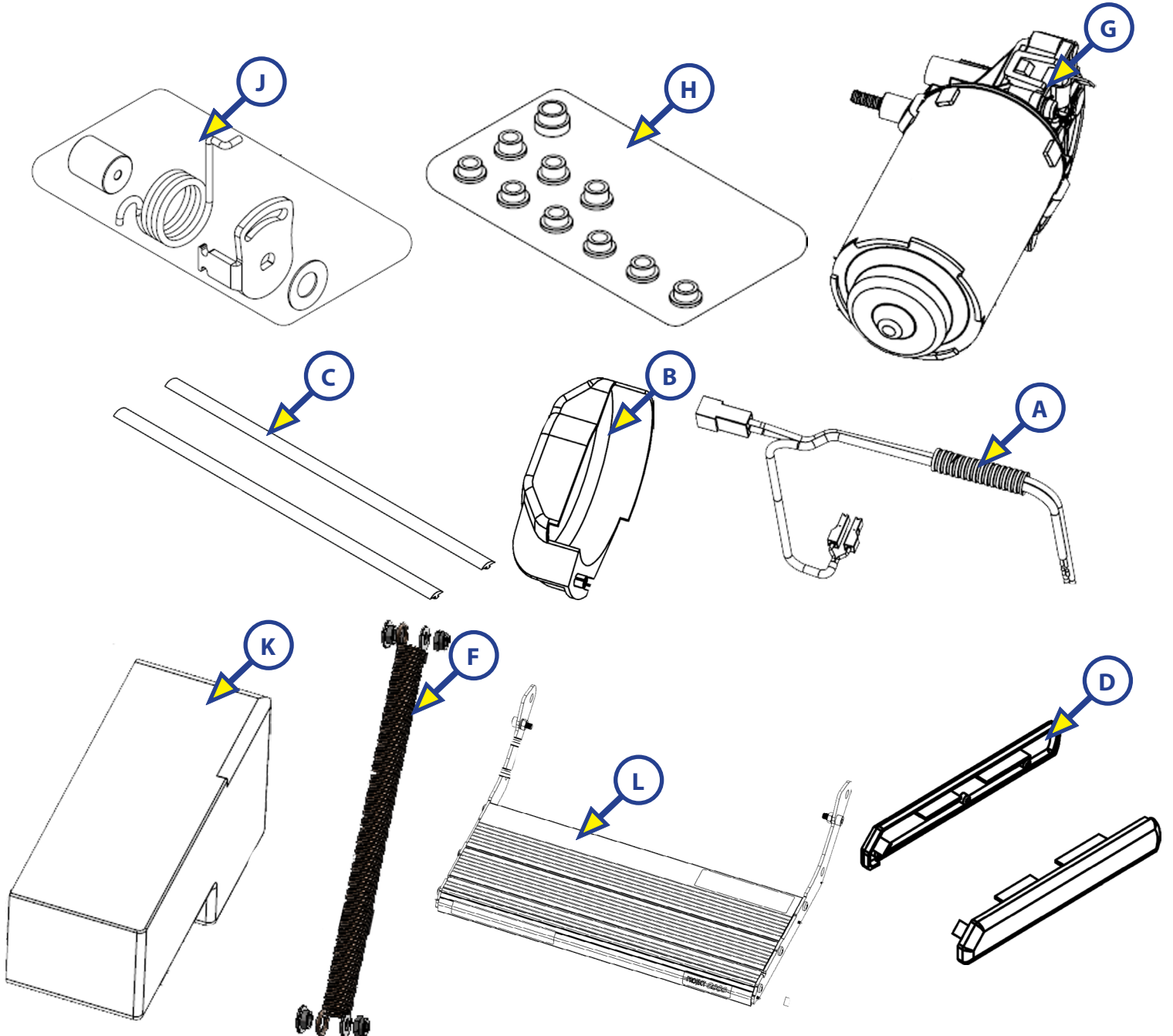
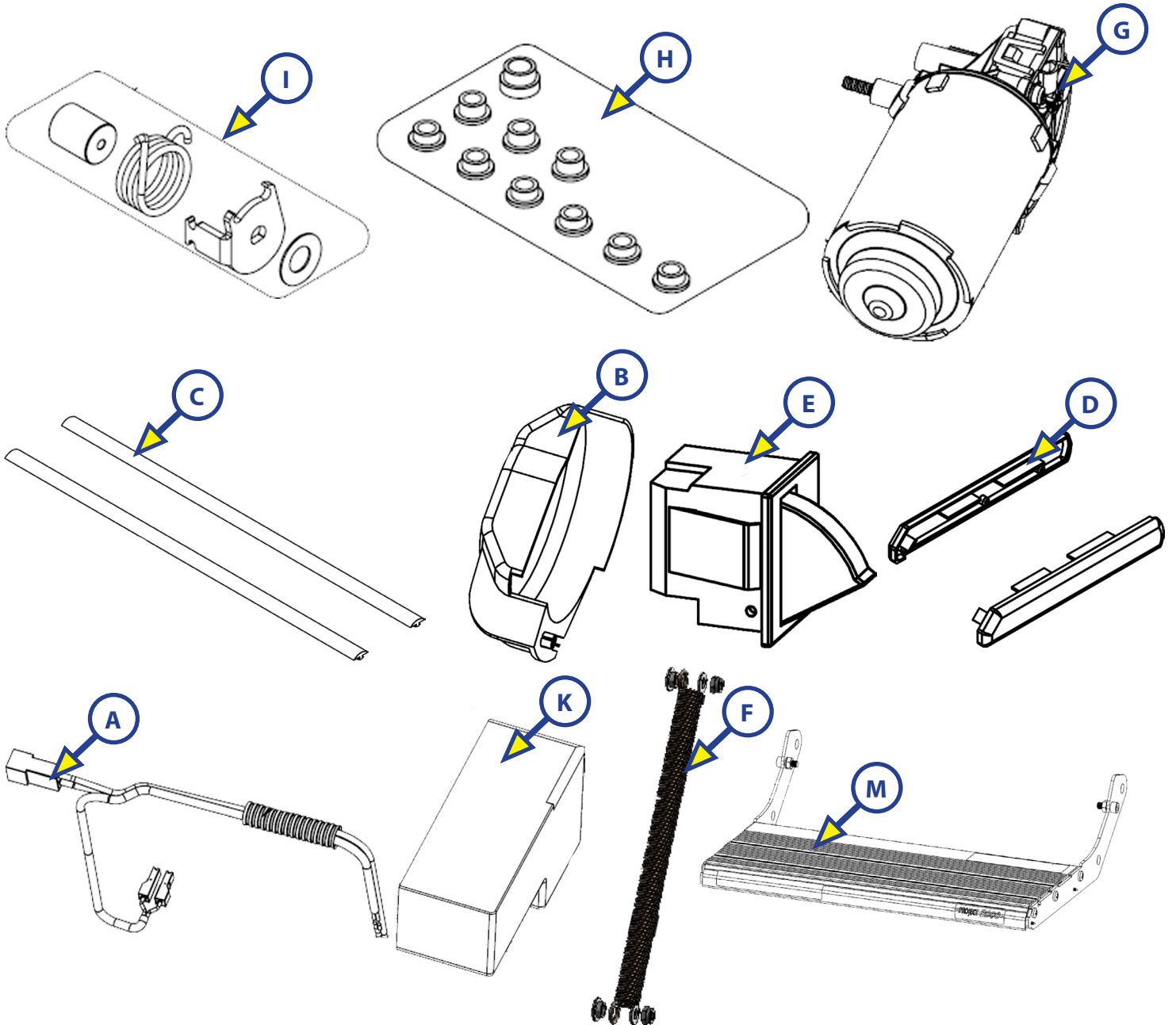


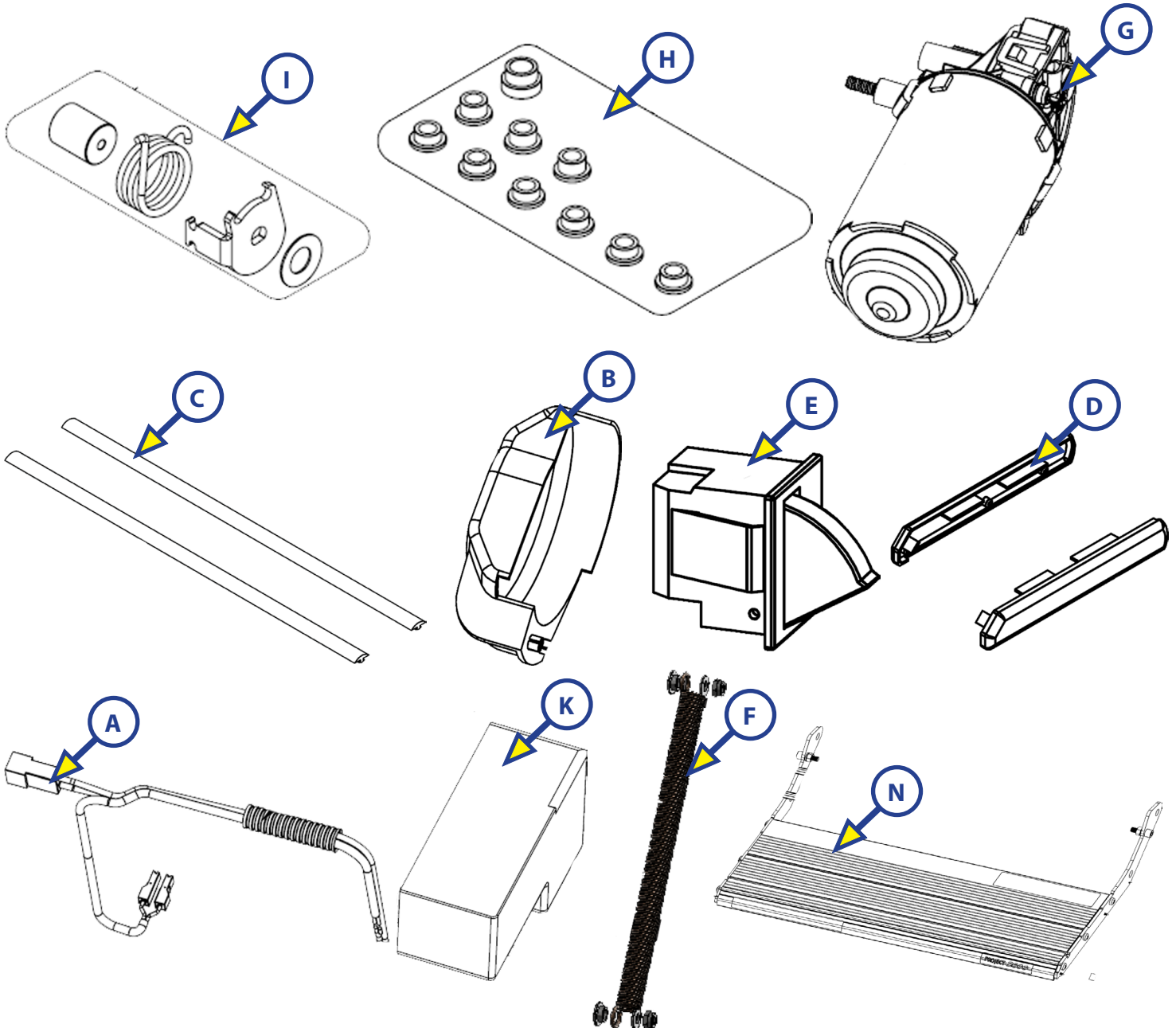
350S Components



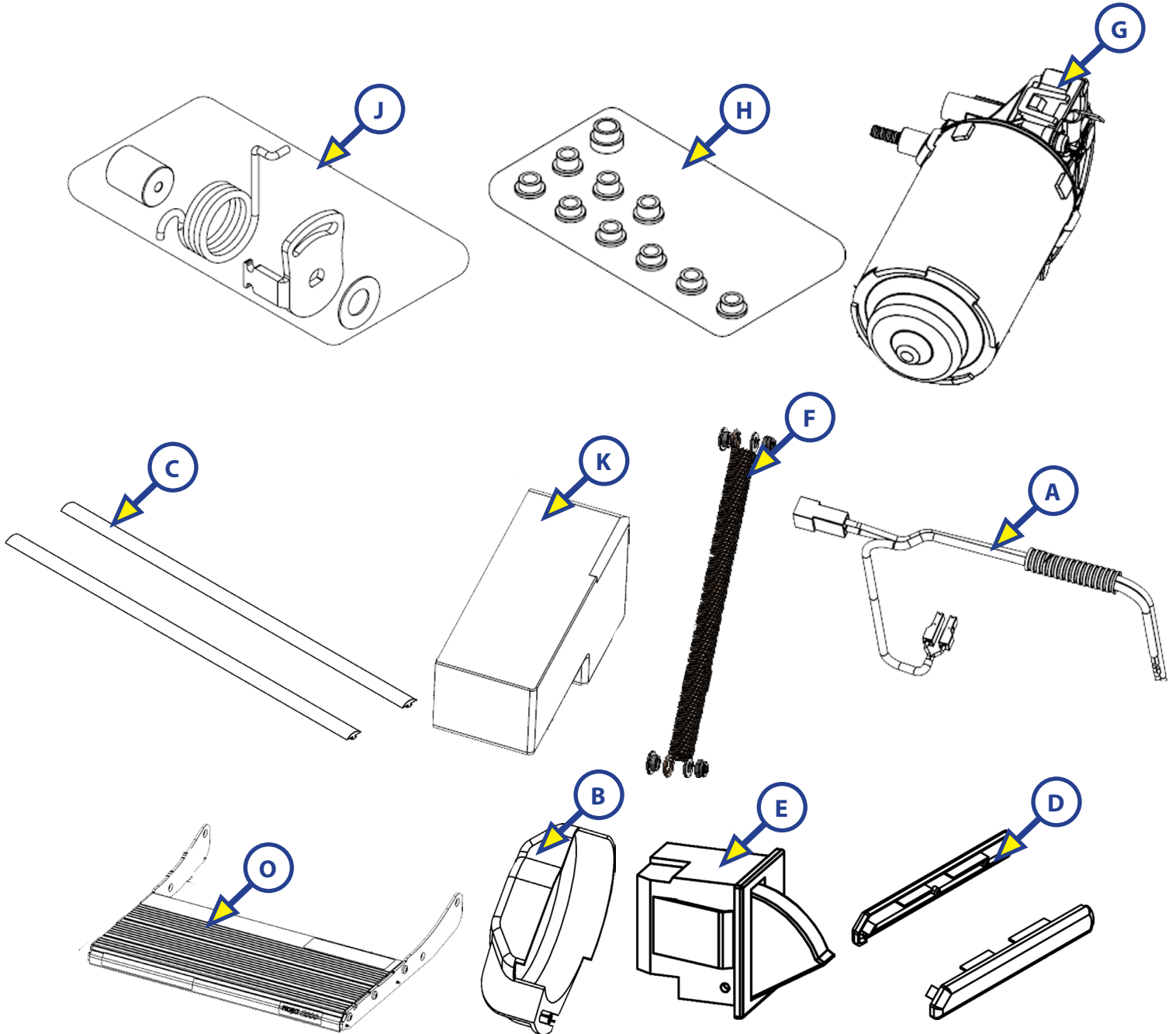
440R Components



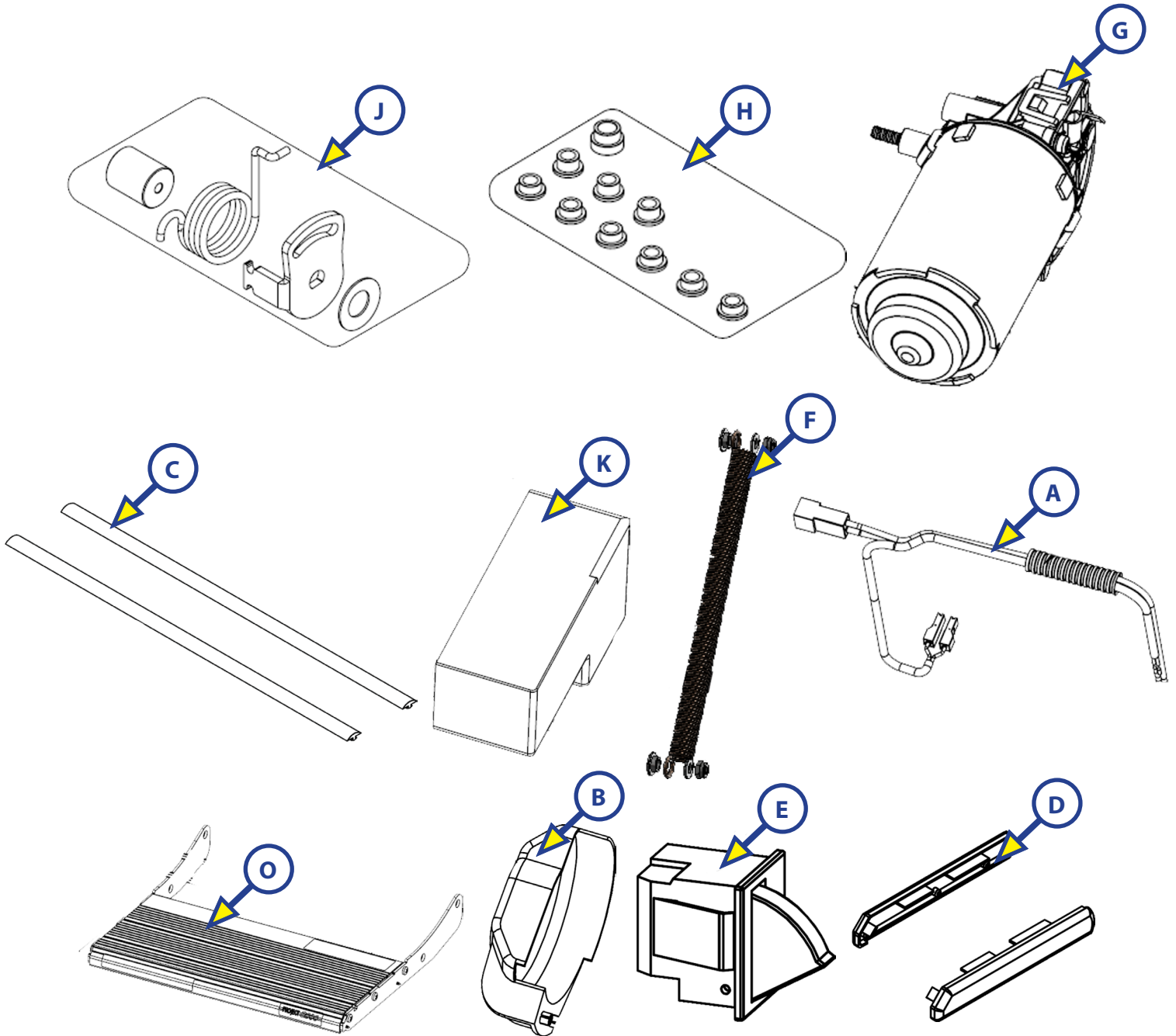
440R-001 Components



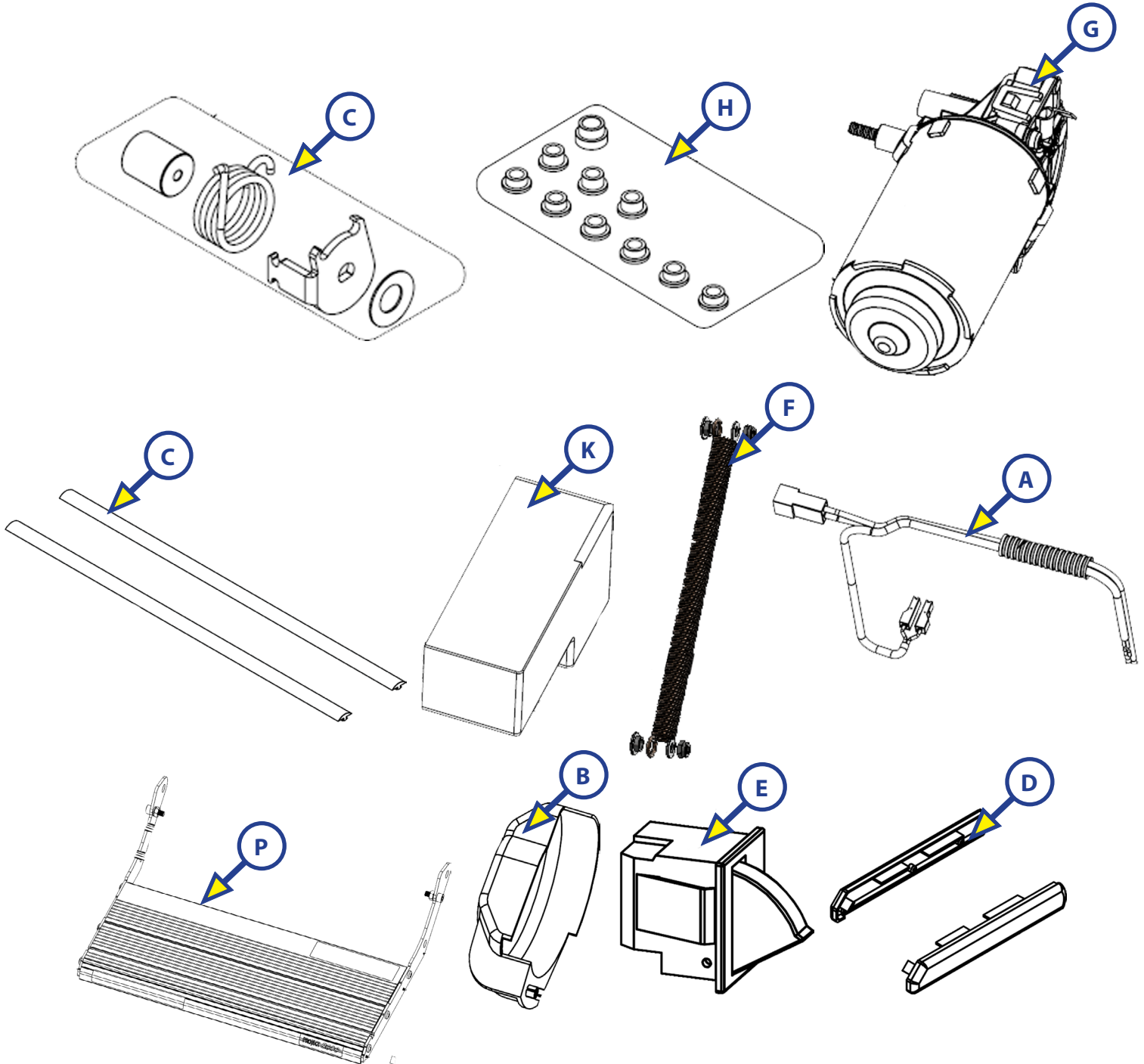
440S Components



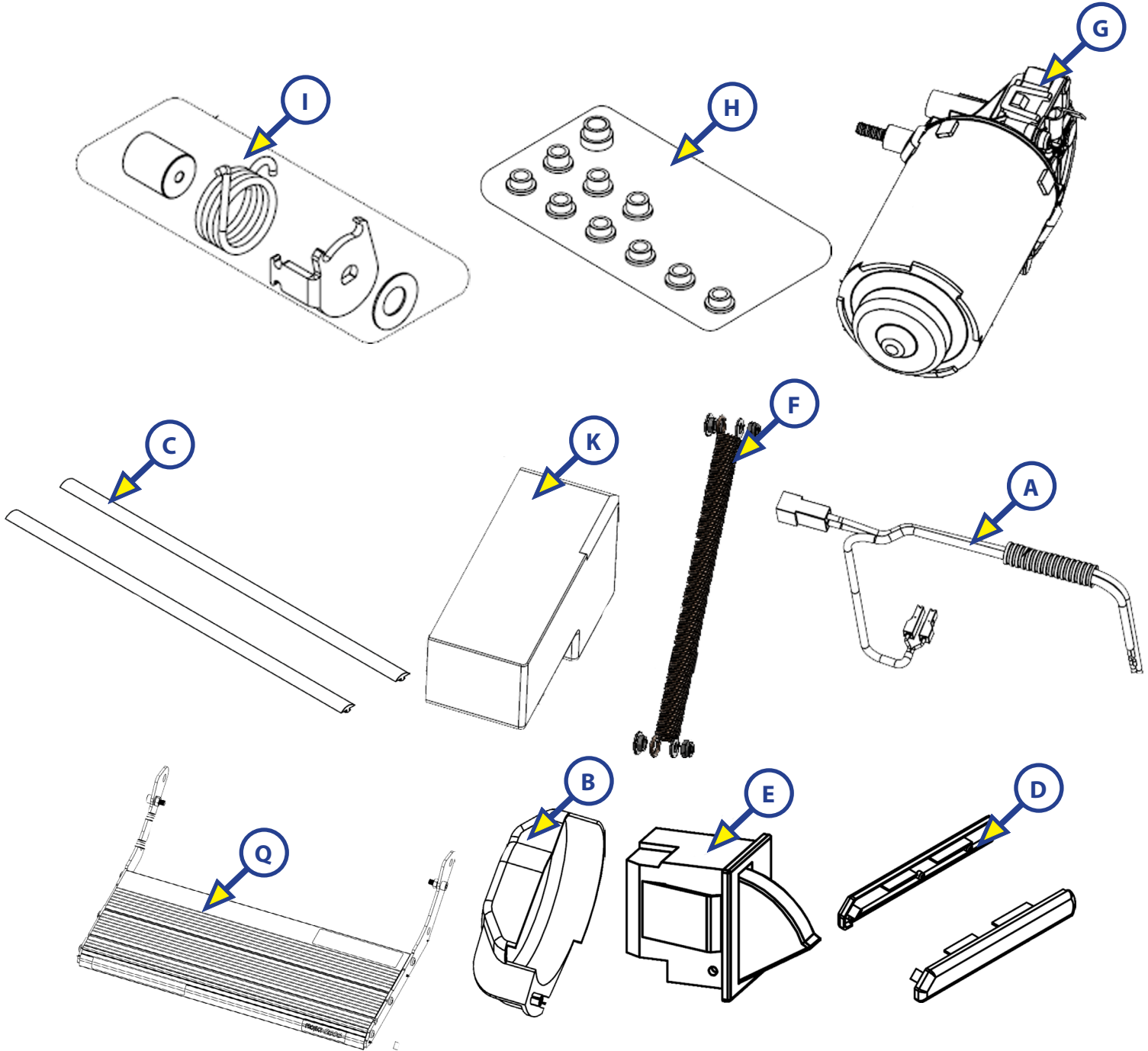
440S-018 Components



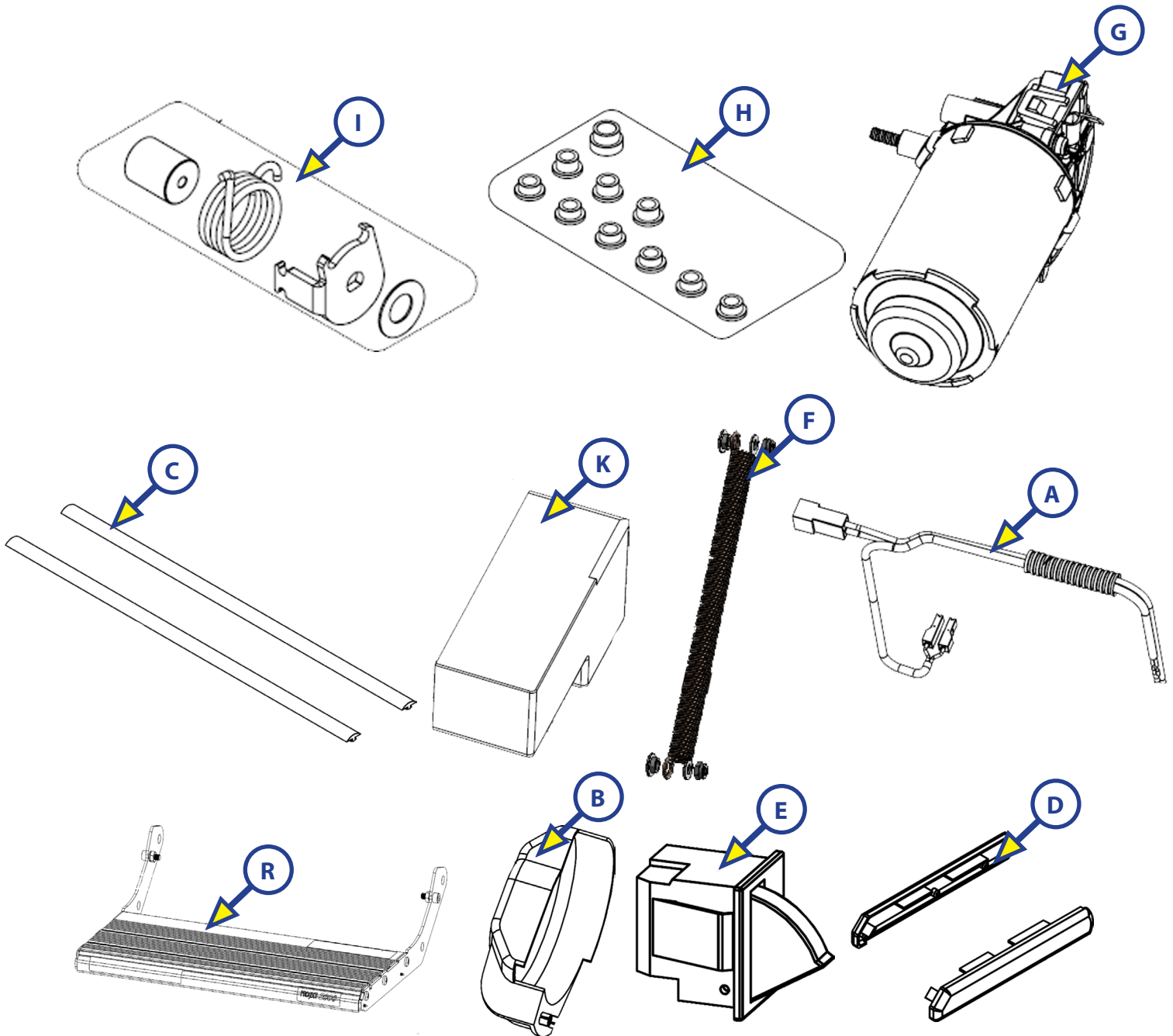
440T Components



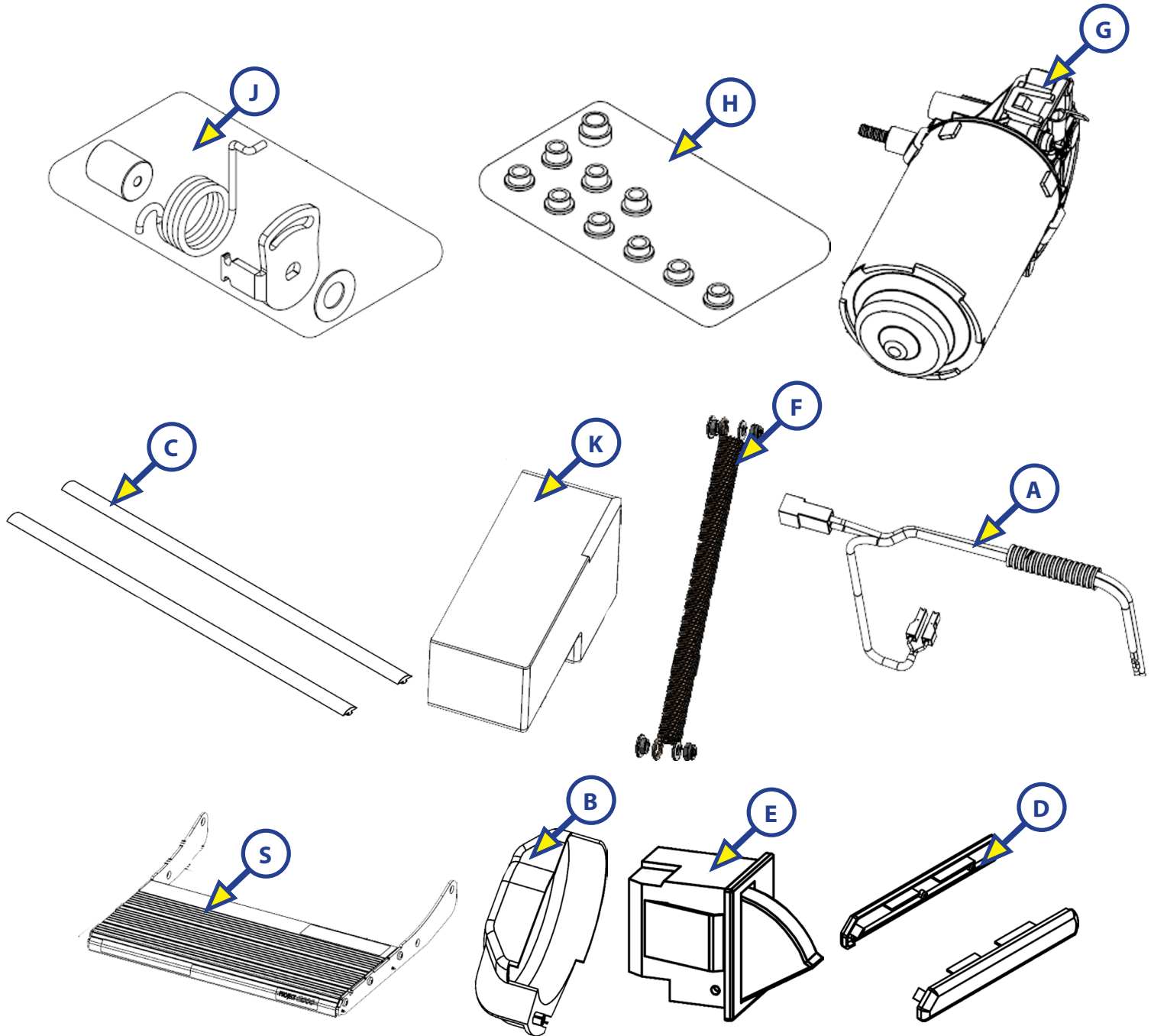
500T Components



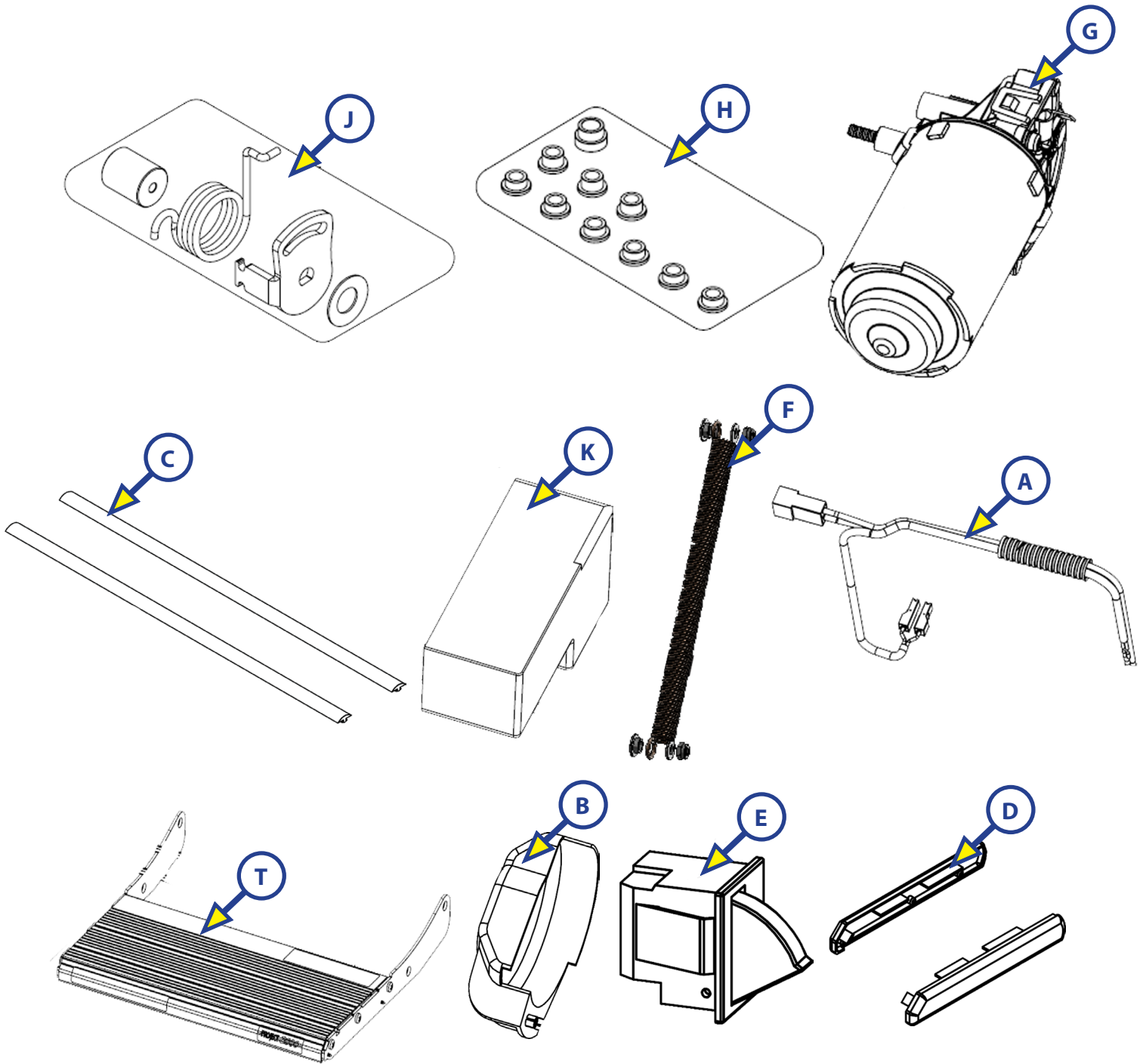
550R Components



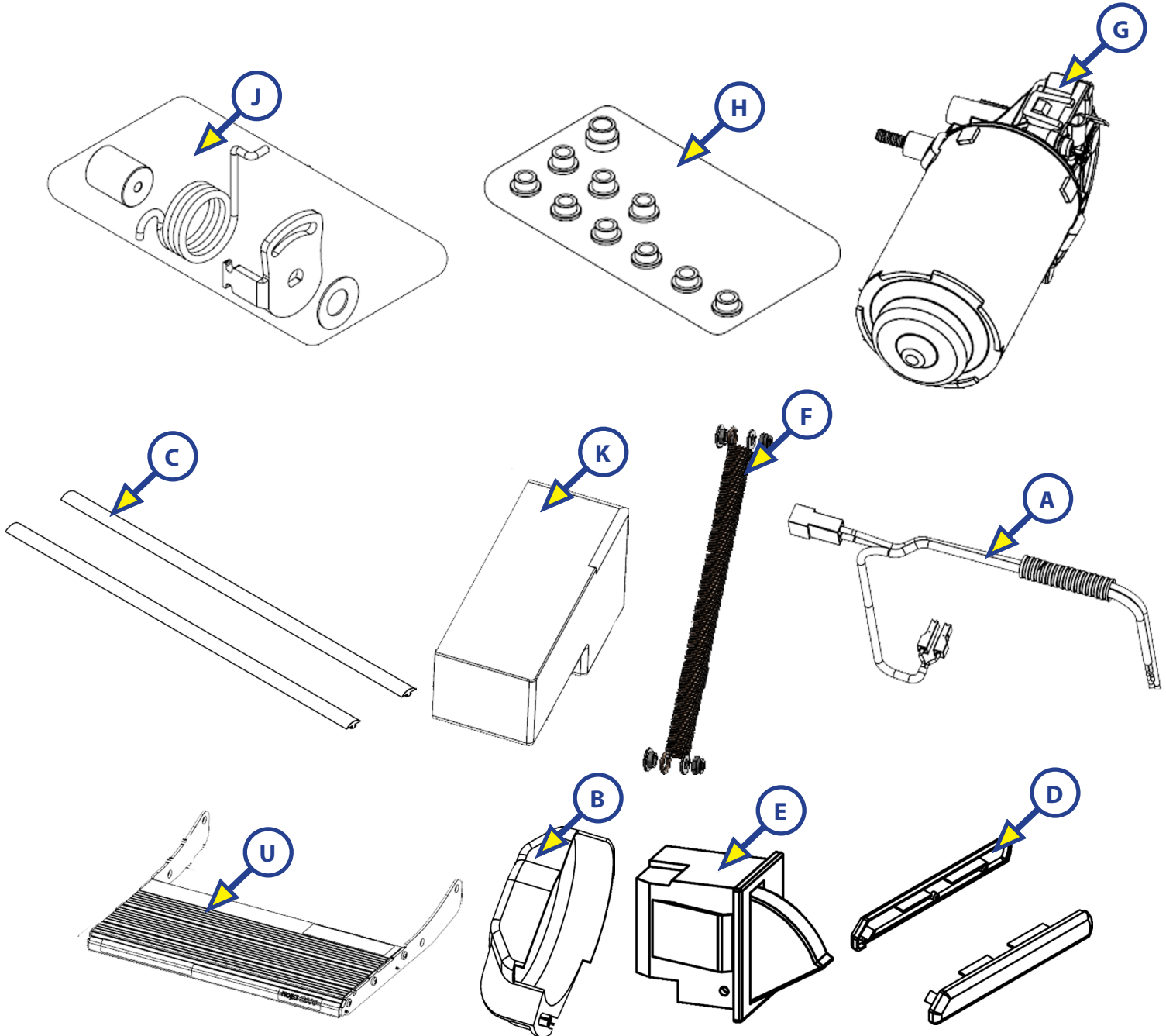
550S Components



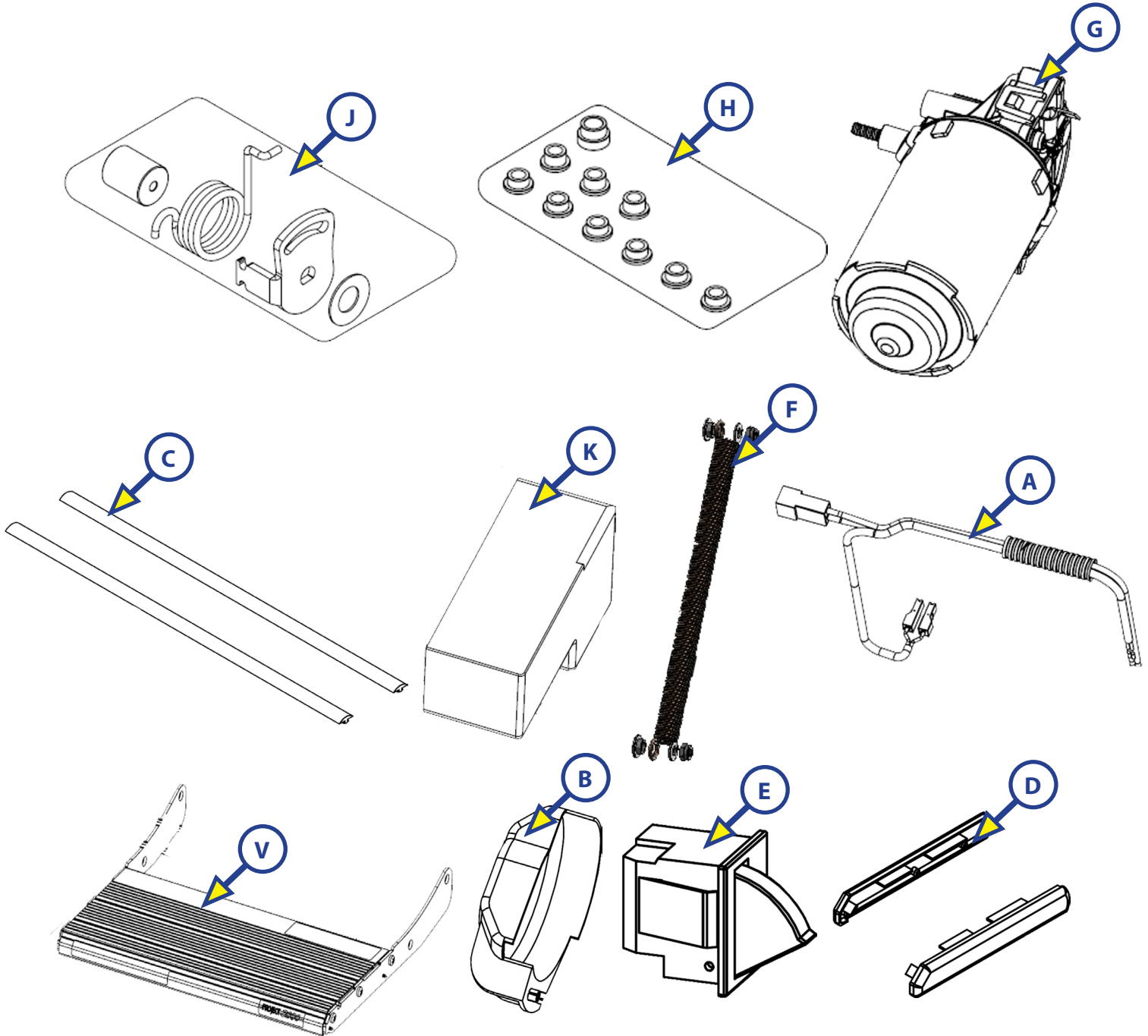
550S-001 Components



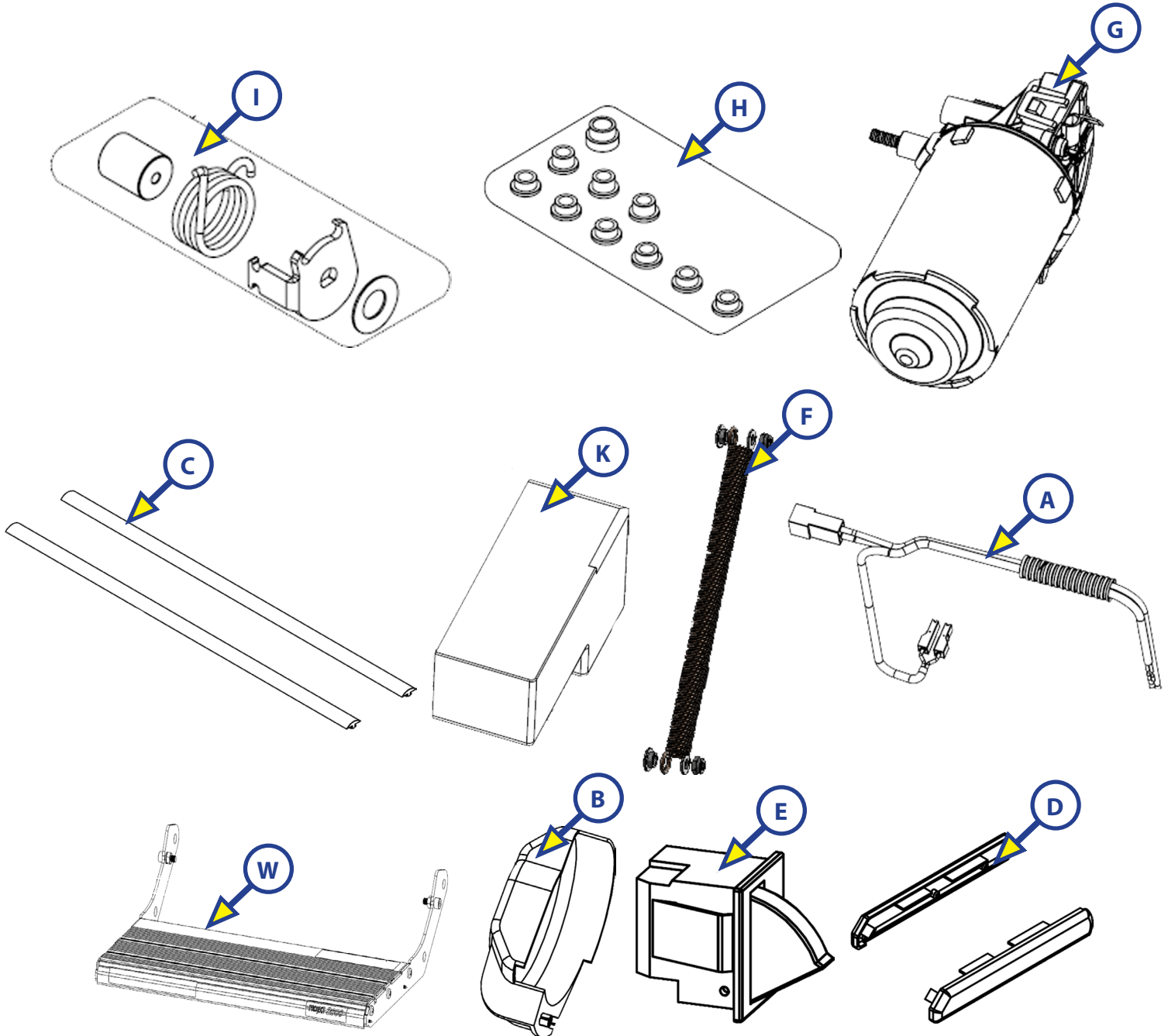
580S-018 Components



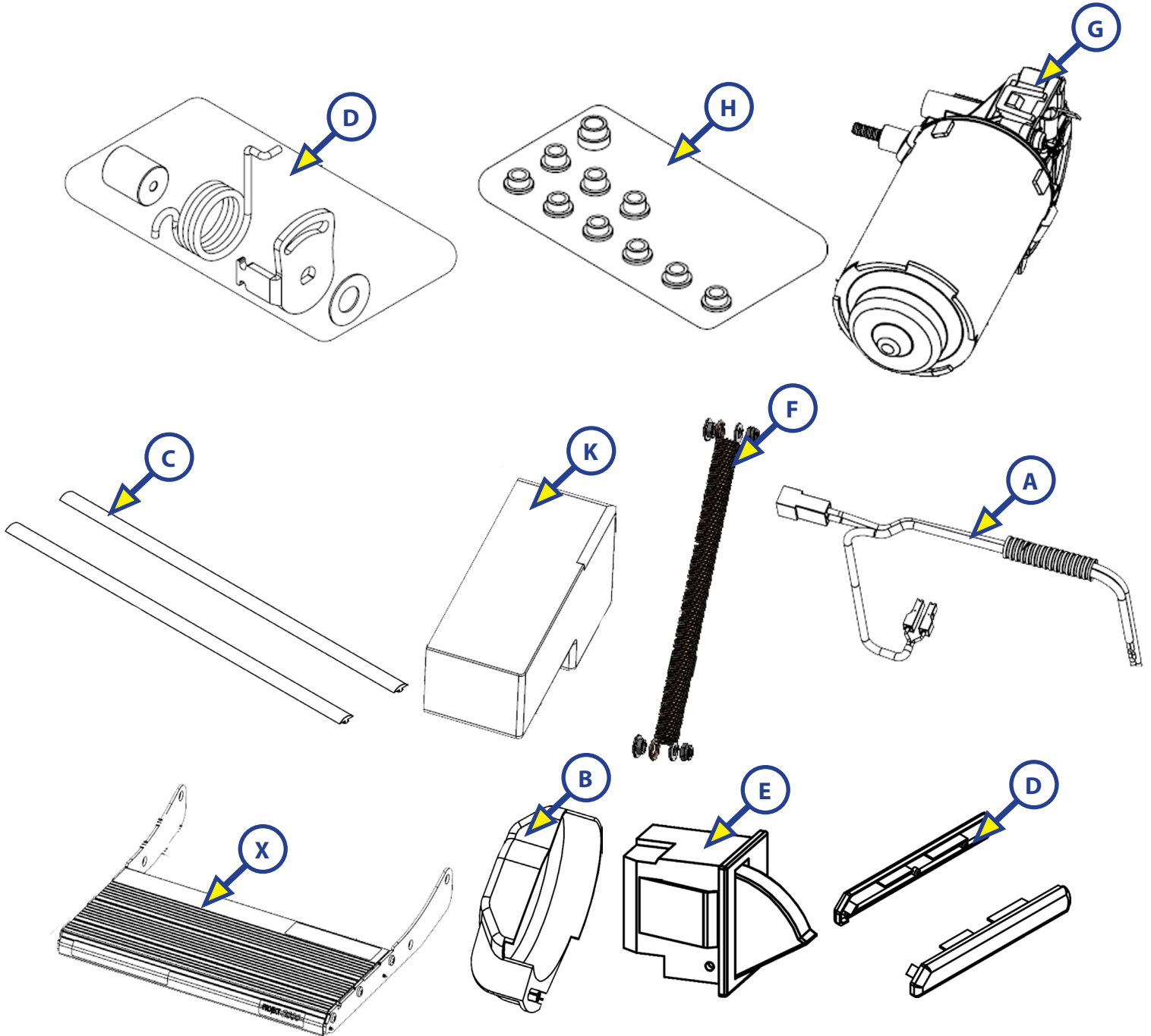
600S-016 Components



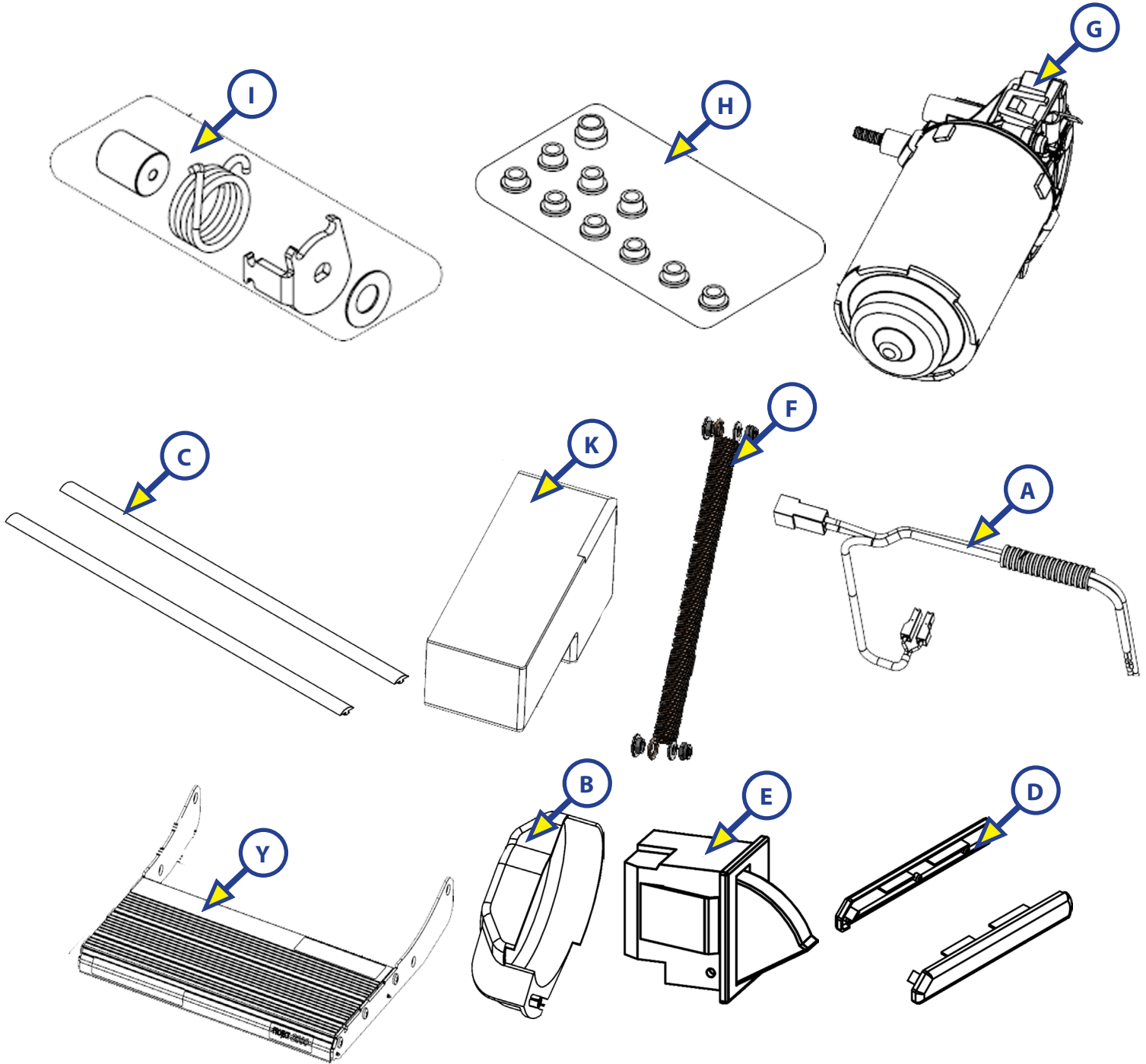
700R Components



700S Components



700T Components





P2K STEP 10750 COMPONENTS LIST

STEPS- COMPONENTS LIST

NOTE: Part numbers are shown for identification purposes only. Not all parts are available for individual sale. All parts with a link to the Lippert Store can be purchased.

Callout	Part #	Description
A	425795	Cablaggio (Usato In Versione : 350S , 440R , 440R-001 , 440S , 440S-018 , 440T , 500T , 550R , 550S , 550S-001 , 580S-018 , 600S-016 , 700R , 700S , 700T)
B	425793	Coperchio (Usato In Versione : 350S , 440R , 440R-001 , 440S , 440S-018 , 440T , 550R , 550S , 550S-001 , 600S-016 , 700R , 700S , 700T)
C	425791	Gomme Pedana (Usato In Versione : 350S , 440R , 440R-001 , 440S , 440S-018 , 440T , 500T , 550R , 550S , 550S-001 , 580S-018 , 600S-016 , 700R , 700S , 700T)
D	424740	Gruppo Fianchetti (Usato In Versione : 350S , 440R , 440R-001 , 440S , 440S-018 , 440T , 500T , 550R , 550S , 550S-001 , 580S-018 , 600S-016 , 700R , 700S , 700T)
E	425794	Interruttore Fc (Usato In Versione : 350S , 440R , 440R-001 , 440S , 440S-018 , 440T , 550R , 550S , 550S-001 , 580S-018 , 600S-016 , 700R , 700S , 700T)
F	425135	Molla A Trazione (Usato In Versione : 350S , 440R , 440R-001 , 440S , 440S-018 , 440T , 500T , 550R , 550S , 550S-001 , 580S-018 , 600S-016 , 700R , 700S , 700T)
G	425766	Motore (Usato In Versione : 350S , 440R , 440R-001 , 440S , 440S-018 , 440T , 500T , 550R , 550S , 550S-001 , 580S-018 , 600S-016 , 700R , 700S , 700T)
H	425790	Ricambio Boccole Per 10750 (Usato In Versione : 350S , 440R , 440R-001 , 440S , 440S-018 , 440T , 500T , 550R , 550S , 550S-001 , 580S-018 , 600S-016 , 700R , 700S , 700T)
I	425792	Ricambio Gruppo Molla 10750 (Usato In Versione : 440R , 440R-001 , 440T , 500T , 550R , 700R , 700T)
J	425806	Ricambio Gruppo Molla 10750 Serie S (Usato In Versione : 350S , 440S , 440S-018 , 550S , 550S-001 , 580S-018 , 600S-016 , 700S)
K	424850	Scatola Motore (Usato In Versione : 350S , 440R , 440R-001 , 440S , 440S-018 , 440T , 500T , 550R , 550S , 550S-001 , 580S-018 , 600S-016 , 700R , 700S , 700T)
L	425807	Sostegno Pedana (Usato In Versione : 350S)
M	425796	Sostegno Pedana (Usato In Versione : 440R)
N	425797	Sostegno Pedana (Usato In Versione : 440R-001)
O	425808	Sostegno Pedana (Usato In Versione : 440S , 440S-018)
P	425803	Sostegno Pedana (Usato In Versione : 440T)
Q	425804	Sostegno Pedana (Usato In Versione : 500T)
R	425801	Sostegno Pedana (Usato In Versione : 550R)
S	425810	Sostegno Pedana (Usato In Versione : 550S)
T	425809	Sostegno Pedana (Usato In Versione : 550S-001)
U	425995	Sostegno Pedana (Usato In Versione : 580S-018)
V	425996	Sostegno Pedana (Usato In Versione : 600S-016)
W	425802	Sostegno Pedana (Usato In Versione : 700R)
X	425811	Sostegno Pedana (Usato In Versione : 700S)
Y	425805	Sostegno Pedana (Usato In Versione : 700T)