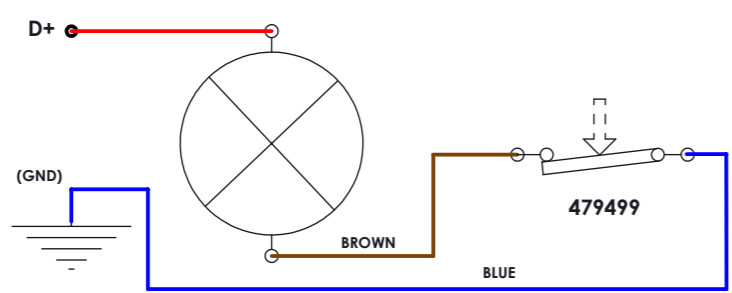
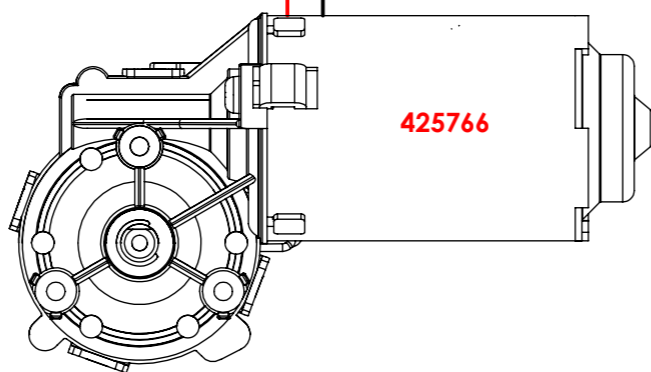
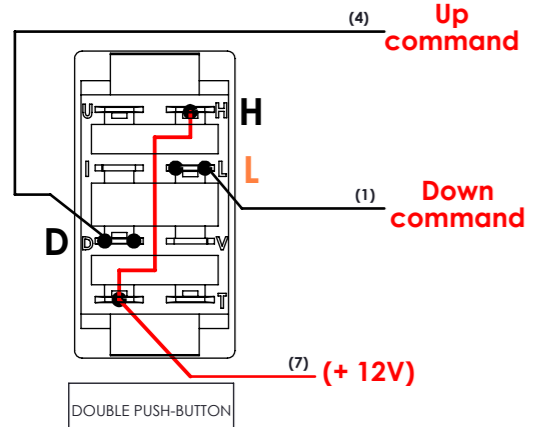
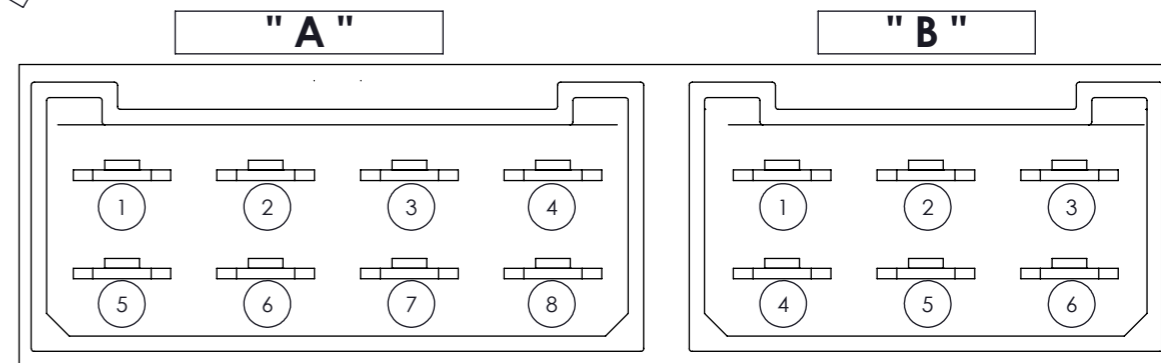
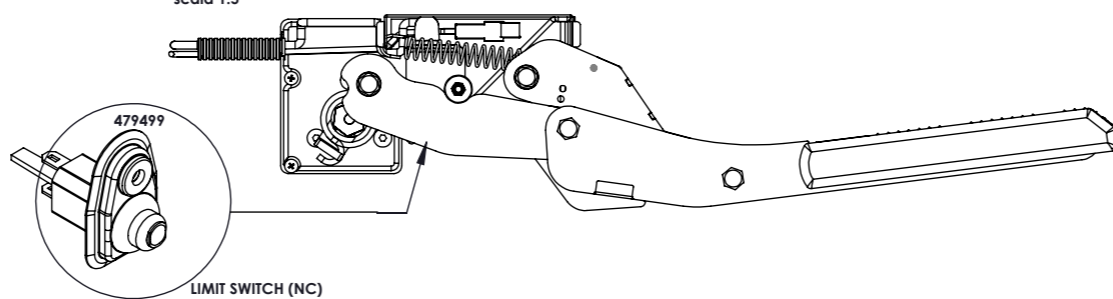


scala 1:1



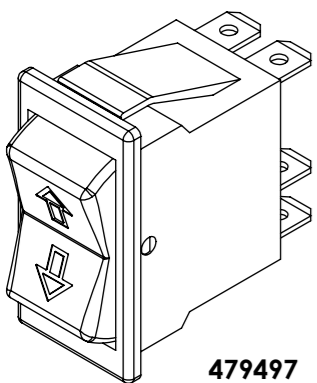
STEP OPEN: WARNING LIGHT ON WHEN TURNING THE VEHICLE ON

scala 1:5



Connector " A "	
Pin N°	Description
1	open control
2	+ 12 V battery
3	D+
4	close control
5	D+
6	(-) GND
7	common push-button
8	--

Connector " B "	
Pin N°	Descrizione
1	black wire (motor)
3	red wire (motor)



479497