

TRUCK CAP FRONT GLASS

Date

Project #



Insured

Customer Service Rep

Ext.

Pictures

VEHICLE INFO:

Year Make

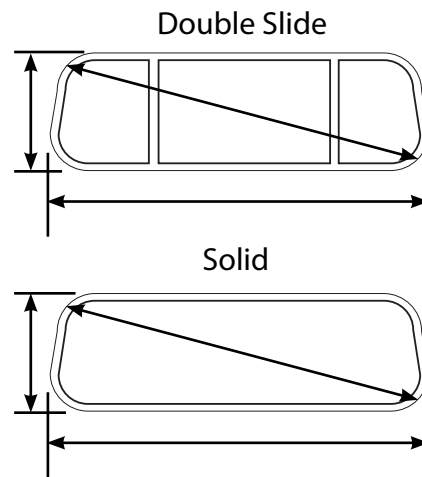
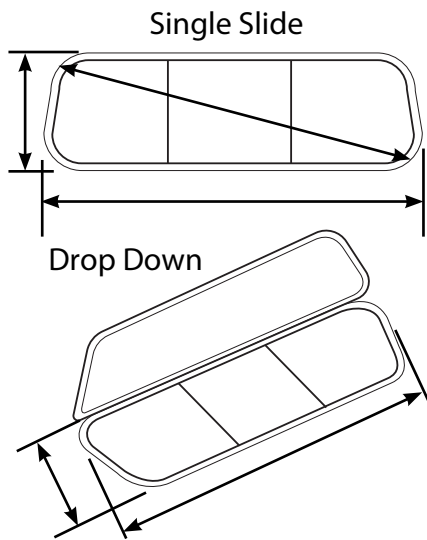
Cap
Manufacturer

Serial Number

Part Number

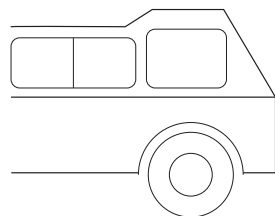
Found on a metal tag, located by dome light on the side rails by rear door, or between the cap and cab.

WINDOW AND CAP STYLE:

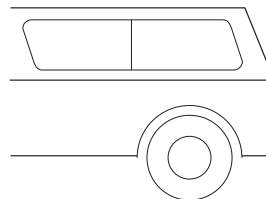


Width	FRAME COLOR:	Black	Aluminum (Silver)
Height	GLASS TINT:	Dark	Clear
Diagonals	CORNERS:	Radius (Round)	Mitered (Squared)

Wedge Style Cap



Cab Height Style Cap



Notes:

SHOP NAME/PHONE: