



24,000 BTU/H SINGLE ZONE OUTDOOR UNIT

SUBMITTAL COVER SHEET

PROJECT NAME _____

LOCATION _____

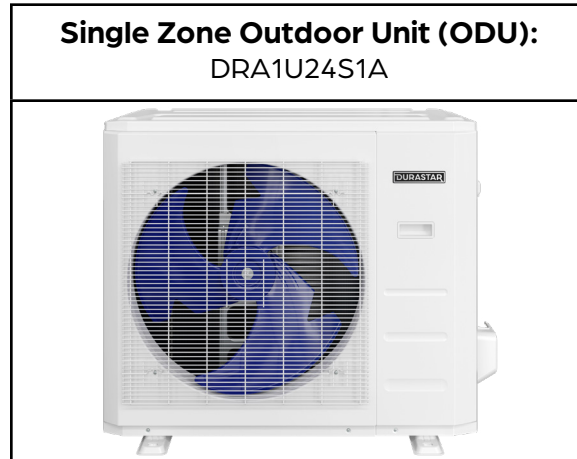
ARCHITECT _____

ENGINEER _____

CONTRACTOR _____

REFERENCE _____

SUBMITTED BY _____ DATE _____



CAPACITIES		
Cooling Capacity (BTU/hr)	Rated ¹	24000
	Minimum	6850
	Maximum	24500
Heating Capacity (BTU/hr)	Rated ²	25000
	Minimum	7200
	Maximum	27500

EFFICIENCY DATA	
SEER	21.5
EER	12.5
HSPF	11.0

OUTDOOR TEMPERATURE OPERATION	
Cooling	-13 °F - 122 °F (-25° C - 50° C)
Heating	-13 °F - 86 °F (-25° C - 30° C)

ELECTRICAL DATA	
Voltage/Phase/Frequency	208-230V, 1 Phase, 60 Hz
Voltage Range	187-253V
Recommended Breaker (Amps)	25
Minimum Circuit Ampacity (Amps)	18
Minimum Wire Size	16 AWG
Rated Current - Cooling (Amps) ¹	8.4
Rated Current - Heating (Amps) ²	10.1

PRODUCT FEATURES

- Variable Speed Inverter Compressor
- Auto Restart
- Base Pan Heater

¹ Measured at 95 °F.

² Measured at 47 °F.



Specifications are subject to change without notice.

© 2021 Ferguson Enterprises LLC

www.durastar.com



24,000 BTU/H SINGLE ZONE OUTDOOR UNIT

SPECIFICATIONS – DRA1U24S1A

SYSTEM DATA	
Refrigerant Type	R-410A
Refrigerant Charge (oz.)	82.9
Oil Type	VG74
Oil Charge (oz.)	22.7 (670 ml)
Design Pressure (PSIG)	550/340

LINE SET REQUIREMENTS	
Connection Type	Flare
Liquid	Ø3/8" (Ø9.52mm)
Gas	Ø5/8" (Ø15.9mm)
Pre-Charge Length	25'
Maximum Length	164'
Minimum Length (One Indoor Unit)	10'
Max. Height Differential Between Indoor and Outdoor Unit	82'
Additional Refrigerant (oz/ft)	0.32

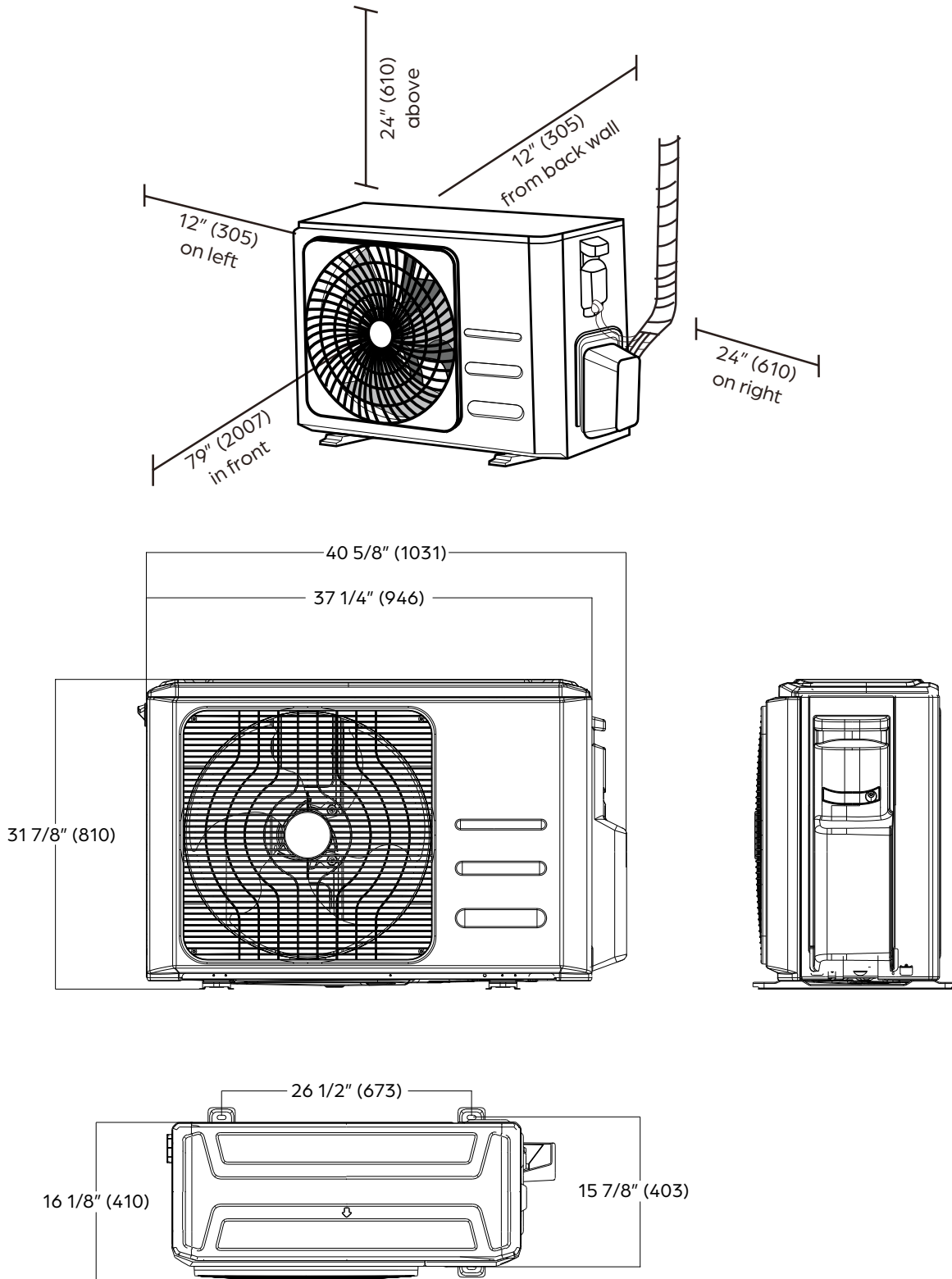
OUTDOOR UNIT FAN DATA	
Airflow (CFM)	2235
Sound Pressure (dB(A))	61
Type	DC
RLA (A)	0.6

OUTDOOR UNIT DIMENSIONS		
Unit Dimensions	Width	37 1/4"
	Depth	16 1/8"
	Height	31 7/8"
Carton Dimensions	Width	42 15/16"
	Depth	19 11/16"
	Height	34 1/8"
Net Weight	141.1 lbs.	
Gross Weight	152.1 lbs.	



24,000 BTU/H SINGLE ZONE OUTDOOR UNIT

ODU DIMENSIONS - DRA1U24S1A



NOTE

Illustrations in this document are for explanatory purposes. The actual shape of your mini-split equipment may vary slightly.