



# 12,000 BTU/H CEILING CASSETTE HEAT PUMP SYSTEM

SUBMITTAL COVER SHEET

PROJECT NAME \_\_\_\_\_

LOCATION \_\_\_\_\_





ARCHITECT \_\_\_\_\_

ENGINEER \_\_\_\_\_

CONTRACTOR \_\_\_\_\_

REFERENCE \_\_\_\_\_

SUBMITTED BY \_\_\_\_\_ DATE \_\_\_\_\_

Indoor Unit (IDU): DRAC12F1A	Panel: DRACPANA1A	Outdoor Unit (ODU): DRA1U12S1B	Wireless Remote Control
			

## PRODUCT FEATURES

- Wireless Remote Control with "Follow Me" Technology
- Variable Speed Inverter Compressor
- Auto Restart
- Sleep Mode
- Turbo Mode
- 24-Hour Timer Feature
- Quiet operation
- 46°F Freeze Protection
- Low ambient heating down to -13 °F
- Low ambient cooling down to 5 °F
- Included base pan heater
- Refrigerant leak detection
- Anti-corrosive fin coating

CAPACITIES		
Cooling Capacity (BTU/hr)	Rated at 95 °F	12000
	Minimum	2800
	Maximum	14100
Heating Capacity (BTU/hr)	Rated at 47 °F	12000
	Maximum at 5 °F	7400
	Minimum	1950
	Maximum	14600

SYSTEM DATA	
Refrigerant Type	R-410A
Refrigerant Charge (oz.)	38.1
Design Pressure (PSIG)	550/340
Indoor/ Outdoor Coil Coating	Golden Fin Coating

EFFICIENCY DATA	
SEER2	22.70
EER2	14.00
HSPF2	10.00
SEER	22.00
EER	14.00
HSPF	10.60
COP at 47 °F	3.37
COP at 5 °F	1.89





# 12,000 BTU/H CEILING CASSETTE HEAT PUMP SYSTEM

SPECIFICATIONS

LINE SET REQUIREMENTS	
Connection Type	Flare
Liquid	Ø1/4" (Ø6.35mm)
Gas	Ø1/2" (Ø12.7mm)
Pre-Charge Length	25'
Minimum Length	10'
Maximum Length	82'
Maximum Height Differential	32.8'
Additional Refrigerant (oz./ft)	0.16

OUTDOOR UNIT		
Unit Dimensions	Width	30 1/8"
	Depth	11 15/16"
	Height	21 7/8"
Carton Dimensions	Width	34 15/16"
	Depth	13 1/4"
	Height	24"
Net Weight	63.7 lbs	
Gross Weight	69 lbs	
Cooling Operating Temperature	5 °F - 122 °F	
Heating Operating Temperature	-13 °F - 75 °F	
Voltage/Phase/Frequency	208-230V, 1 Phase, 60 Hz	
Voltage Range	187-253V	
Recommended Breaker (Amps)	15	
Minimum Circuit Ampacity (Amps)	15	
Communication Wire Size	14*4 AWG Stranded	
Rated Current - Cooling (Amps) <sup>1</sup>	3.92	
Rated Current - Heating (Amps) <sup>2</sup>	4.78	
Sound Pressure (dB(A))	53.5	

COMPRESSOR	
Type	DC Rotary Inverter
Oil Type	Ester Oil VG74
Oil Charge (oz.)	10.5 (310 ml)

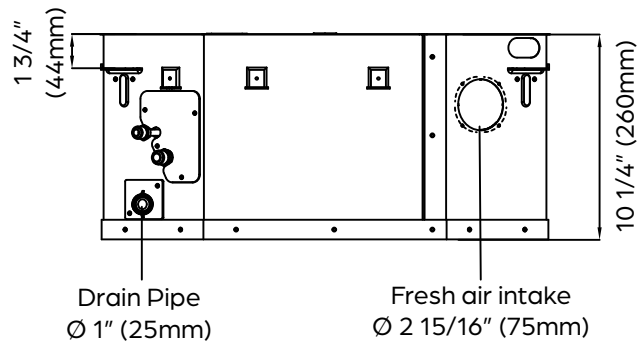
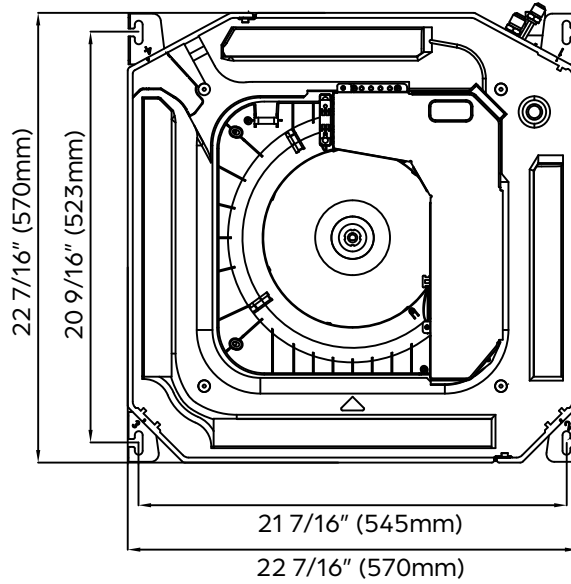
INDOOR UNIT		
Unit Dimensions	Width	22 7/16"
	Depth	22 7/16"
	Height	10 1/4"
Carton Dimensions	Width	26"
	Depth	26"
	Height	12 1/2"
Net Weight	35.3 lbs	
Gross Weight	41 lbs	
Indoor Unit Air Flow (CFM)	Low	261
	Medium	309
	High	379
Drain Port O.D.	Ø1" (25.4mm)	
Drain Pump Lift	29 1/2"	
Recommended Breaker (Amps)	15	
Minimum Circuit Ampacity (Amps)	3	
Sound Pressure (dB(A))	Low	31.5
	Medium	35.5
	High	40.5

<sup>1</sup> Measured at 95 °F.  
<sup>2</sup> Measured at 47 °F.

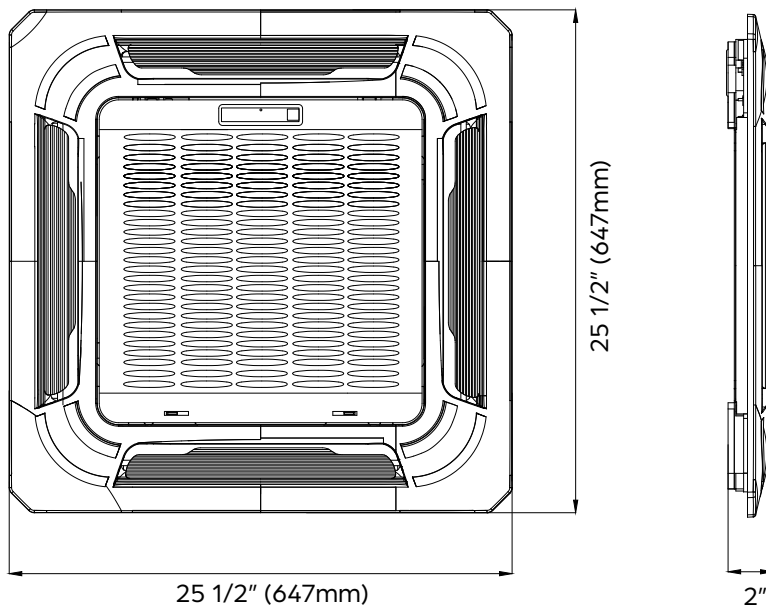


# 12,000 BTU/H CEILING CASSETTE HEAT PUMP SYSTEM

IDU DIMENSIONS - DRAC12F1B



## DRACPANA1A:

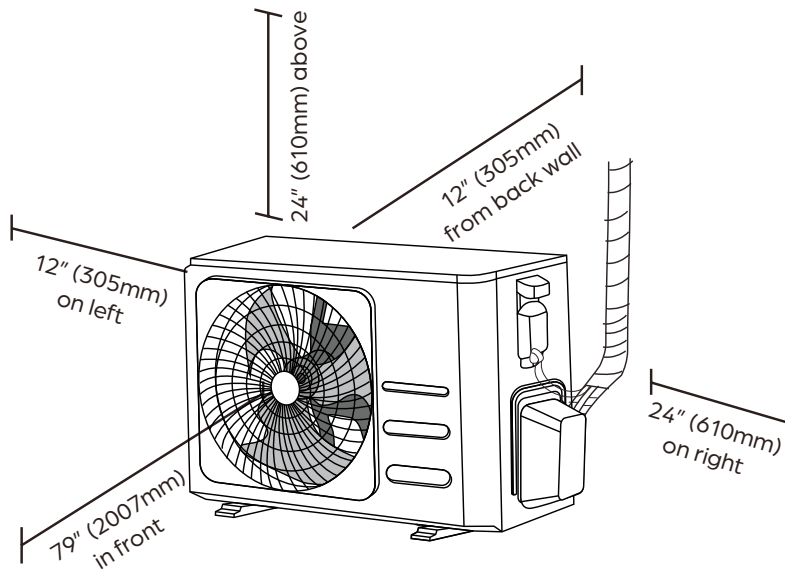




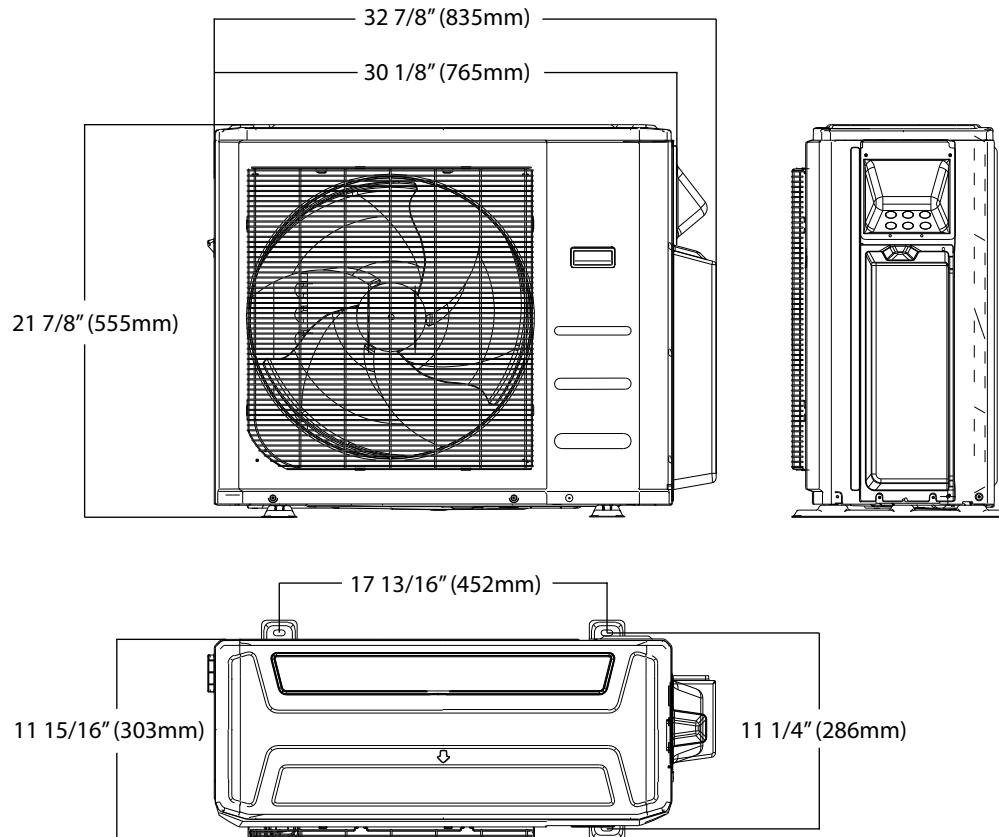
# 12,000 BTU/H CEILING CASSETTE HEAT PUMP SYSTEM

ODU CLEARANCES - DRA1U12S1B

## Clearances



## Dimensions



### NOTE

Illustrations in this document are for explanatory purposes. The actual shape of your mini-split equipment may vary slightly.