



# 24,000 BTU/H FLOOR/CEILING HEAT PUMP SYSTEM

SUBMITTAL COVER SHEET

PROJECT NAME \_\_\_\_\_

LOCATION \_\_\_\_\_




ARCHITECT \_\_\_\_\_

ENGINEER \_\_\_\_\_

CONTRACTOR \_\_\_\_\_

REFERENCE \_\_\_\_\_

SUBMITTED BY \_\_\_\_\_ DATE \_\_\_\_\_

Indoor Unit (IDU): DRAF24F1A	Outdoor Unit (ODU): DRA1U24S1B	Wireless Remote Control
		

## PRODUCT FEATURES

- Wireless Remote Control with "Follow Me" Technology
- Variable Speed Inverter Compressor
- Auto Restart
- Sleep Mode
- Turbo Mode
- 24-Hour Timer Feature
- Quiet operation
- 46°F Freeze Protection
- Low ambient heating down to -13 °F
- Low ambient cooling down to 5 °F
- Included base pan heater
- Refrigerant leak detection
- Anti-corrosive fin coating
- Flexible installation for floor or ceiling

SYSTEM DATA	
Refrigerant Type	R-410A
Refrigerant Charge (oz.)	82.89
Design Pressure (PSIG)	550/340
Indoor/ Outdoor Coil Coating	Golden Fin Coating

EFFICIENCY DATA	
SEER2	21.2
EER2	12.5
HSPF2	10.3
SEER	20.0
EER	12.5
HSPF	11.2
COP at 47 °F	3.7
COP at 5 °F	2.1

CAPACITIES		
Cooling Capacity (BTU/hr)	Rated at 95 °F	24000
	Minimum	7700
	Maximum	25500
Heating Capacity (BTU/hr)	Rated at 47 °F	24000
	Maximum at 5 °F	17459
	Minimum	11600
	Maximum	30900





# 24,000 BTU/H FLOOR/CEILING HEAT PUMP SYSTEM

SPECIFICATIONS

LINE SET REQUIREMENTS	
Connection Type	Flare
Liquid	Ø3/8" (Ø9.52mm)
Gas	Ø5/8" (Ø16mm)
Pre-Charge Length	25'
Minimum Length	10'
Maximum Length	98'
Maximum Height Differential	66'
Additional Refrigerant (oz./ft)	0.16

OUTDOOR UNIT		
Unit Dimensions	Width	37 1/4"
	Depth	16 1/8"
	Height	31 7/8"
Carton Dimensions	Width	39 3/16"
	Depth	15 11/16"
	Height	29 1/8"
Net Weight	125 lbs.	
Gross Weight	135 lbs.	
Cooling Operating Temperature	5 °F - 122 °F	
Heating Operating Temperature	-13 °F - 75 °F	
Voltage/Phase/Frequency	208-230V, 1 Phase, 60 Hz	
Voltage Range	187-253V	
Recommended Breaker (Amps)	30	
Minimum Circuit Ampacity (Amps)	22	
Communication Wire Size	14*4 AWG Stranded	
Rated Current - Cooling (Amps) <sup>1</sup>	8.78	
Rated Current - Heating (Amps) <sup>2</sup>	8.35	
Sound Pressure (dB(A))	60	

COMPRESSOR	
Type	DC Rotary Inverter
Oil Type	Ester Oil VG74
Oil Charge (oz.)	20.9 (620 ml)

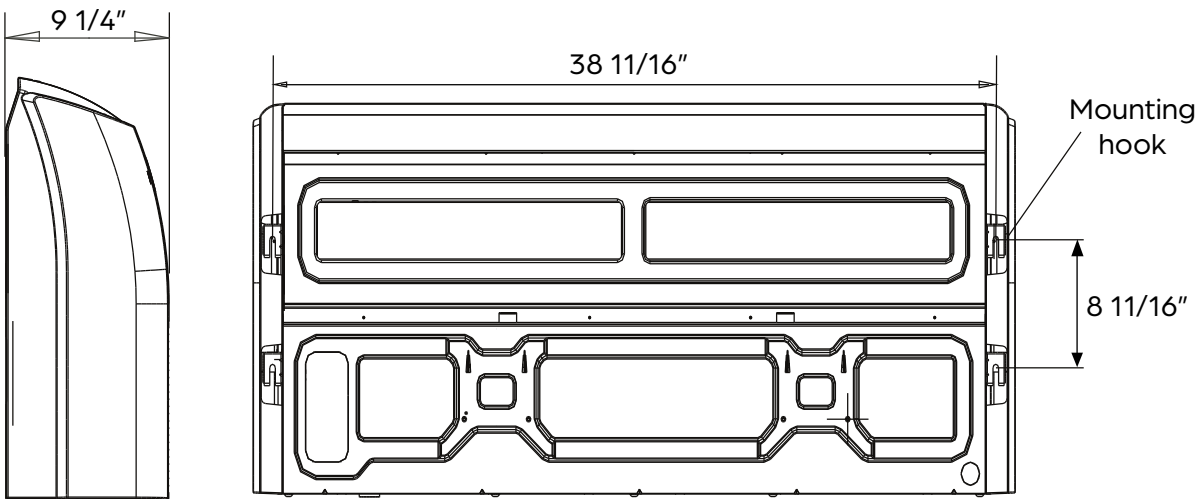
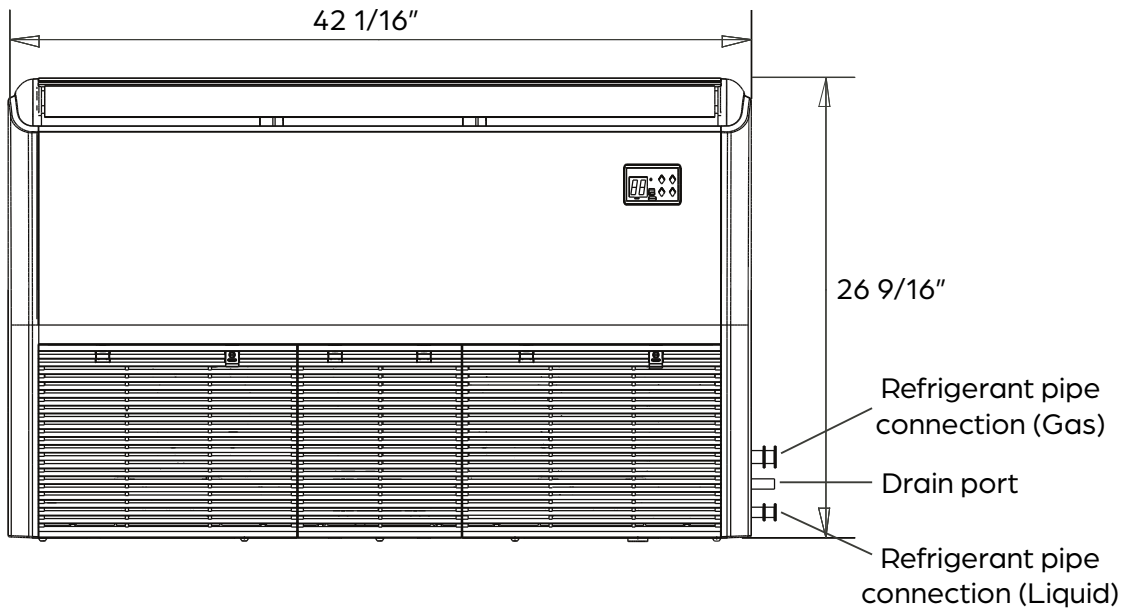
INDOOR UNIT		
Unit Dimensions	Width	42 1/16"
	Depth	9 1/4"
	Height	26 9/16"
Carton Dimensions	Width	45 1/16"
	Depth	12 1/2"
	Height	29 3/4"
Net Weight	60 lbs.	
Gross Weight	72 lbs.	
Indoor Unit Air Flow (CFM)	Low	598
	Medium	708
	High	759
Drain Port O.D.	Ø1" (Ø25mm)	
Recommended Breaker (Amps)	15	
Sound Pressure (dB(A))	Low	42
	Medium	47
	High	51

<sup>1</sup> Measured at 95 °F.  
<sup>2</sup> Measured at 47 °F.



# 24,000 BTU/H FLOOR/CEILING HEAT PUMP SYSTEM

IDU DIMENSIONS - DRAF24F1A

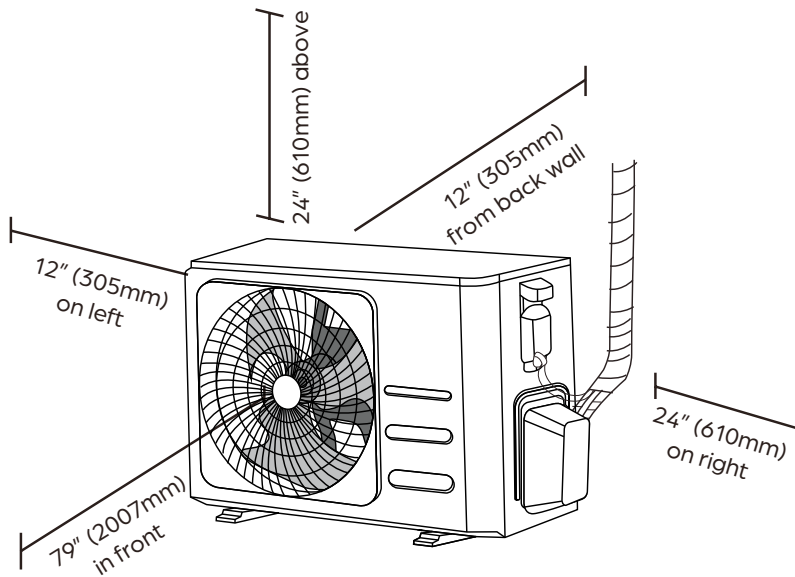




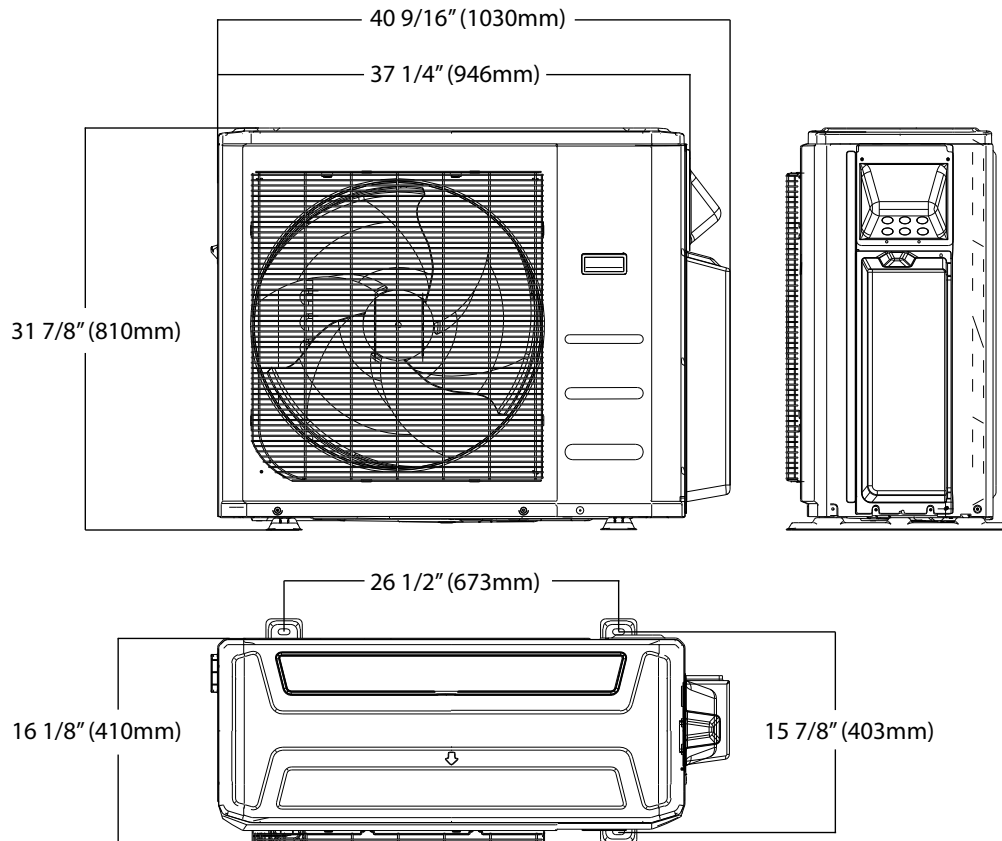
# 24,000 BTU/H FLOOR/CEILING HEAT PUMP SYSTEM

ODU DIMENSIONS - DRA1U09S1B

## Clearances



## Dimensions



### NOTE

Illustrations in this document are for explanatory purposes. The actual shape of your mini-split equipment may vary slightly.