



# 24,000 BTU/H WALL MOUNTED HEAT PUMP SYSTEM

SUBMITTAL COVER SHEET

PROJECT NAME \_\_\_\_\_

LOCATION \_\_\_\_\_




ARCHITECT \_\_\_\_\_

ENGINEER \_\_\_\_\_

CONTRACTOR \_\_\_\_\_

REFERENCE \_\_\_\_\_

SUBMITTED BY \_\_\_\_\_ DATE \_\_\_\_\_

| Indoor Unit (IDU):<br>DRAW24F1A   | Outdoor Unit (ODU):<br>DRA1U24S1B  | Wireless Remote Control   |
|---|--|---|
|  |  |  |

## PRODUCT FEATURES

- Wireless Remote Control with "Follow Me" Technology
- Variable Speed Inverter Compressor
- Auto Restart
- Sleep Mode
- Turbo Mode
- 24-Hour Timer Feature
- Quiet operation
- 46°F Freeze Protection
- Low ambient heating down to -13 °F
- Low ambient cooling down to 5 °F
- Included base pan heater
- Refrigerant leak detection
- Anti-corrosive fin coating

| SYSTEM DATA                  |                    |
|------------------------------|--------------------|
| Refrigerant Type             | R-410A             |
| Refrigerant Charge (oz.)     | 82.89              |
| Design Pressure (PSIG)       | 550/340            |
| Indoor/ Outdoor Coil Coating | Golden Fin Coating |

| EFFICIENCY DATA |      |
|-----------------|------|
| SEER            | 18.9 |
| EER             | 11.7 |
| HSPF            | 9.0  |
| COP at 47 °F    | 3.15 |
| COP at 5 °F     | 2.04 |

| CAPACITIES                |                 |       |
|---------------------------|-----------------|-------|
| Cooling Capacity (BTU/hr) | Rated at 95 °F  | 24000 |
|                           | Minimum         | 9200  |
|                           | Maximum         | 25000 |
| Heating Capacity (BTU/hr) | Rated at 47 °F  | 26000 |
|                           | Maximum at 5 °F | 17600 |
|                           | Minimum         | 10350 |
|                           | Maximum         | 26410 |





# 24,000 BTU/H WALL MOUNTED HEAT PUMP SYSTEM

SPECIFICATIONS

| LINE SET REQUIREMENTS           |                 |
|---------------------------------|-----------------|
| Connection Type                 | Flare           |
| Liquid                          | Ø3/8" (Ø9.52mm) |
| Gas                             | Ø5/8" (Ø16mm)   |
| Pre-Charge Length               | 25'             |
| Minimum Length                  | 10'             |
| Maximum Length                  | 164'            |
| Maximum Height Differential     | 33'             |
| Additional Refrigerant (oz./ft) | 0.16            |

| OUTDOOR UNIT                                |                          |           |
|---|--------------------------|-----------|
| Unit Dimensions                             | Width                    | 37 1/4"   |
|   | Depth                    | 16 1/8"   |
|   | Height                   | 31 7/8"   |
| Carton Dimensions                           | Width                    | 42 15/16" |
|   | Depth                    | 19 11/16" |
|   | Height                   | 34 13/16" |
| Net Weight                                  | 124.8 lbs.               |           |
| Gross Weight                                | 134.9 lbs.               |           |
| Cooling Operating Temperature               | 5 °F - 122 °F            |           |
| Heating Operating Temperature               | -13 °F - 75 °F           |           |
| Voltage/Phase/Frequency                     | 208-230V, 1 Phase, 60 Hz |           |
| Voltage Range                               | 187-253V                 |           |
| Recommended Breaker (Amps)                  | 30                       |           |
| Minimum Circuit Ampacity (Amps)             | 22                       |           |
| Communication Wire Size                     | 14*4 AWG Stranded        |           |
| Rated Current - Cooling (Amps) <sup>1</sup> | 8.02                     |           |
| Rated Current - Heating (Amps) <sup>2</sup> | 10.35                    |           |
| Sound Pressure (dB(A))                      | 62                       |           |

| COMPRESSOR       |                    |
|------------------|--------------------|
| Type             | DC Rotary Inverter |
| Oil Type         | Ester Oil VG74     |
| Oil Charge (oz.) | 20.96 (620 ml)     |

| INDOOR UNIT                       |               |          |
|-----------------------------------|---------------|----------|
| Unit Dimensions                   | Width         | 42 1/2"  |
|                                   | Depth         | 8 7/8"   |
|                                   | Height        | 13 3/16" |
| Carton Dimensions                 | Width         | 45 1/2"  |
|                                   | Depth         | 12 5/8"  |
|                                   | Height        | 16 5/16" |
| Net Weight                        | 31 lbs.       |          |
| Gross Weight                      | 38 lbs.       |          |
| Indoor Unit Air Flow (CFM)        | Low           | 324      |
|                                   | Medium        | 471      |
|                                   | High          | 618      |
| Drain Port O.D. / Drain Hose I.D. | Ø5/8" (Ø16mm) |          |
| Recommended Breaker (Amps)        | 15            |          |
| Sound Pressure (dB(A))            | Low           | 33       |
|                                   | Medium        | 42       |
|                                   | High          | 47.5     |

<sup>1</sup> Measured at 95 °F.

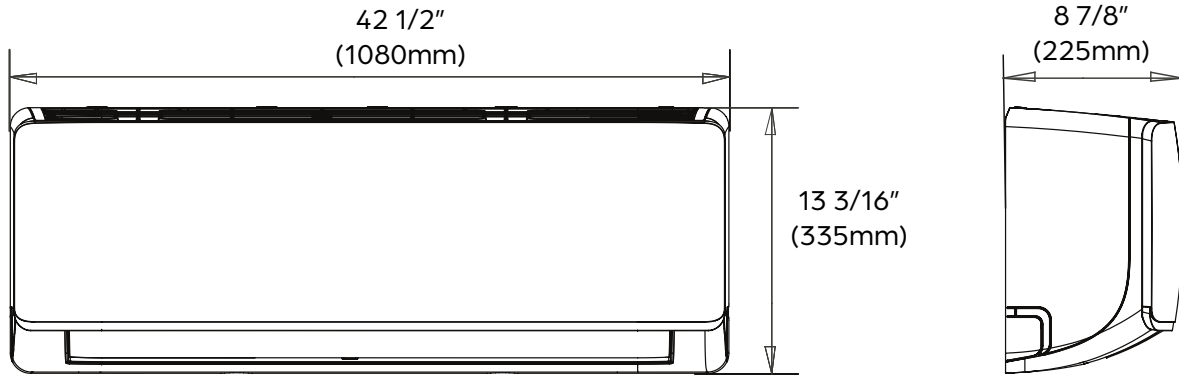
<sup>2</sup> Measured at 47 °F.



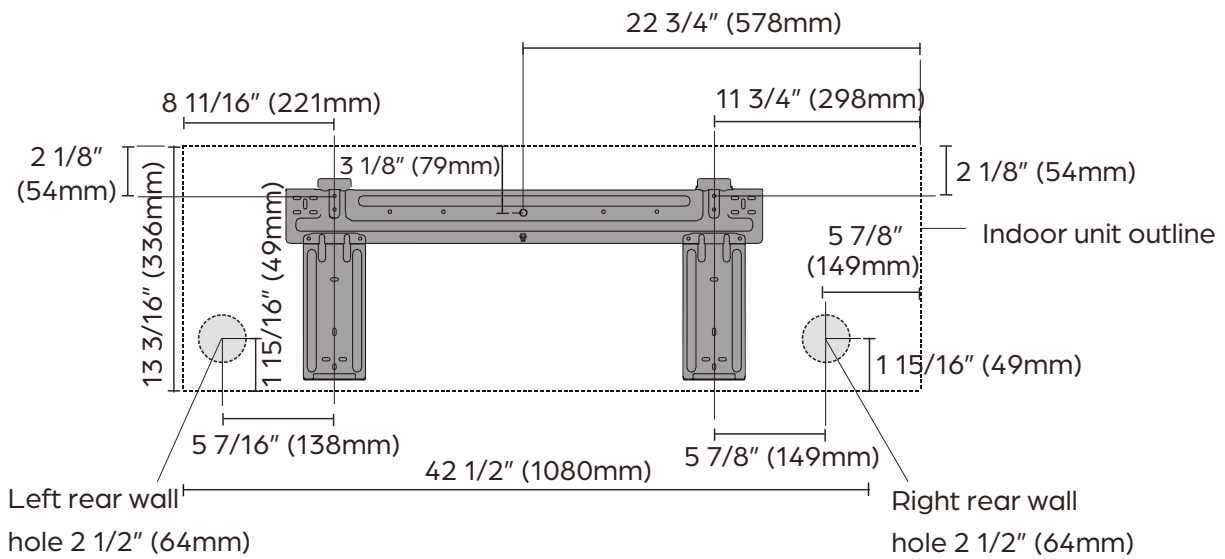
# 24,000 BTU/H WALL MOUNTED HEAT PUMP SYSTEM

IDU DIMENSIONS - DRAW24F1A

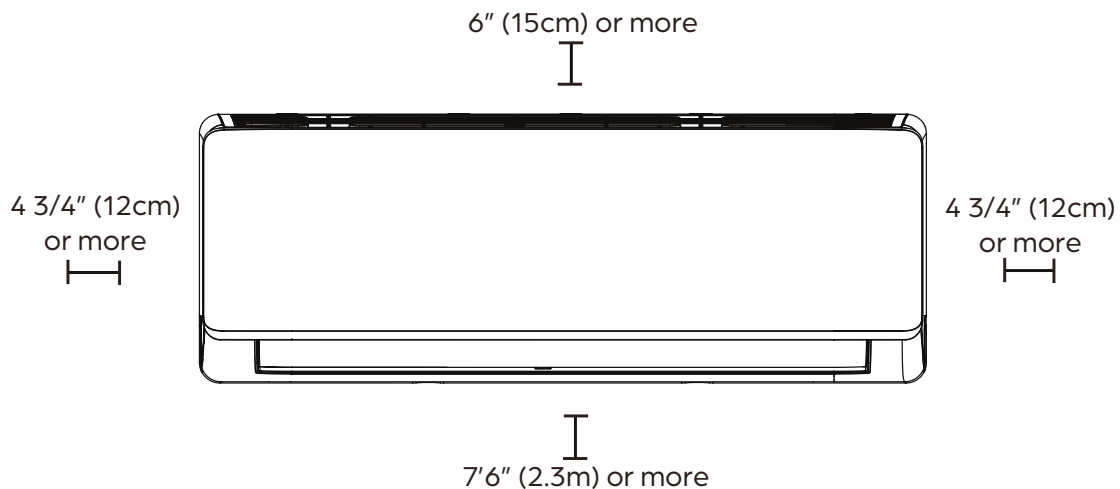
## Unit Dimensions



## Mounting Plate Dimensions



## Clearance Distances

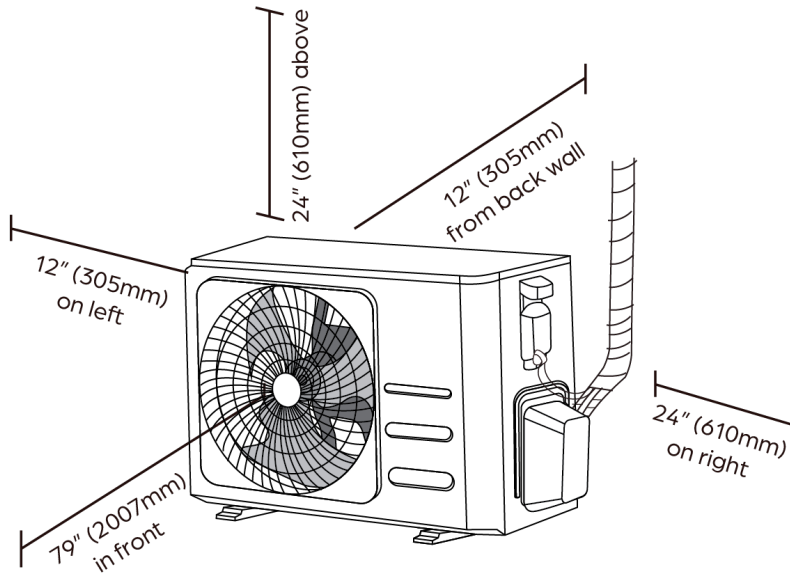




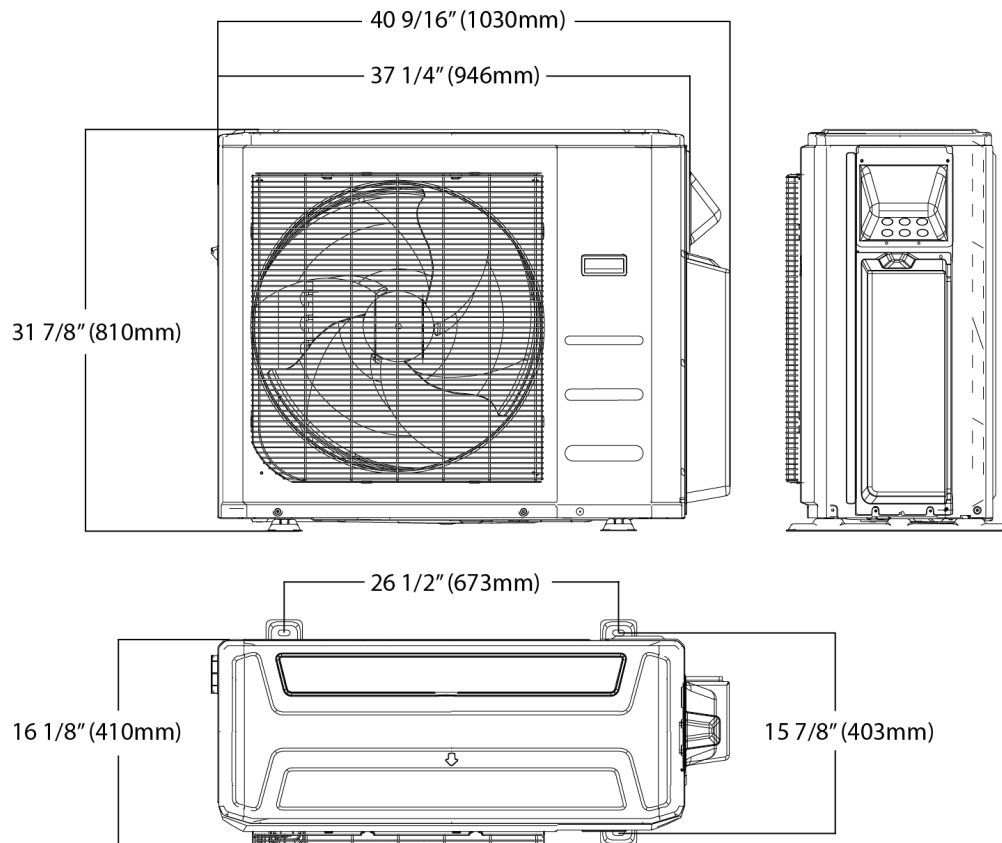
# 24,000 BTU/H WALL MOUNTED HEAT PUMP SYSTEM

ODU DIMENSIONS - DRA1U24S1B

## Clearances



## Dimensions



### NOTE

Illustrations in this document are for explanatory purposes. The actual shape of your mini-split equipment may vary slightly.