



THININSTALL™ FIXED & TILT MOUNTS

Features

- 1 GLIDE LOCK™ LATCHING SYSTEM**
Tool-less latching for faster installation
- 2 EASY CABLE ACCESS**
Unique kickstand allows easy cable access when needed
- 3 HOOK & LOOP STRAPS**
Retract the cable kickstand by simply pulling the straps
- 4 OPTIONAL IN-WALL STORAGE BOX**
Pair the display mount with an optional in-wall storage box for a clean installation



LTTU Tilt Mount
for 32"-65" displays



MTTU Tilt Mount
for 26" - 47" displays



LSTU Fixed Mount
for 42"-86" displays



MSTU Fixed Mount
for 32"-65" displays

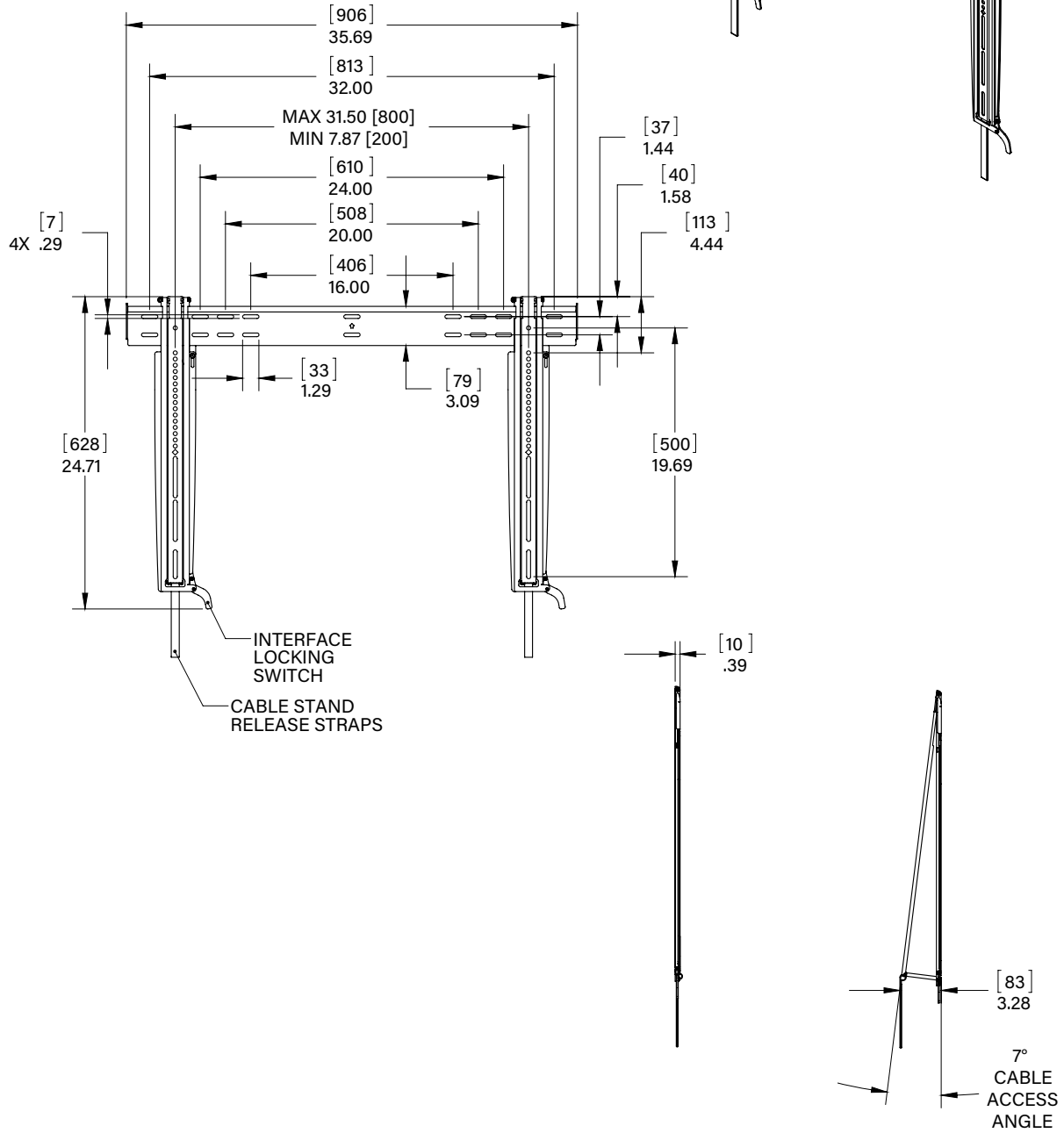
Fixed & Tilt Mount Specifications

Model	TV Size Range	Depth	Mounting Pattern (W x H)	Max Screen Thickness	Tilt	Weight Capacity
LTTU	32"-65"	0.75" (19 mm)	800 x 500	2" (51 mm)	-12°	100 lbs (45.4 kg)
LSTU	42"-86"	0.39" (10 mm)	800 x 500	5" (127 mm)	N/A	125 lbs (56.7 kg)
MTTU	26"-47"	0.75" (19 mm)	600 x 400	2" (51 mm)	-12°	100 lbs (45.4 kg)
MSTU	32"-65"	0.39" (10 mm)	600 x 400	5" (127 mm)	N/A	125 lbs (56.7 kg)

THININSTALL™

Fixed and Tilt Wall Mount

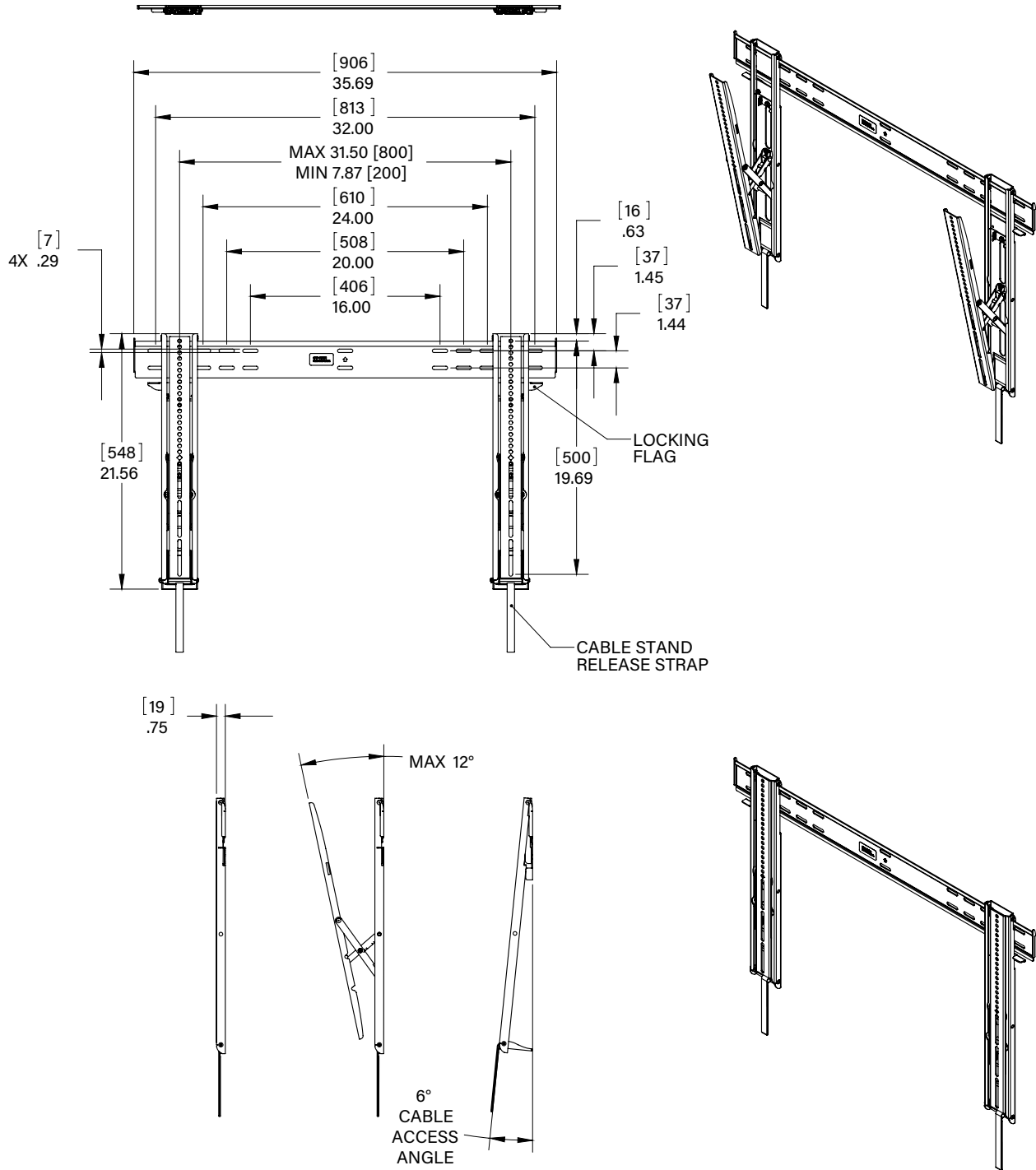
LSTU



THININSTALL™

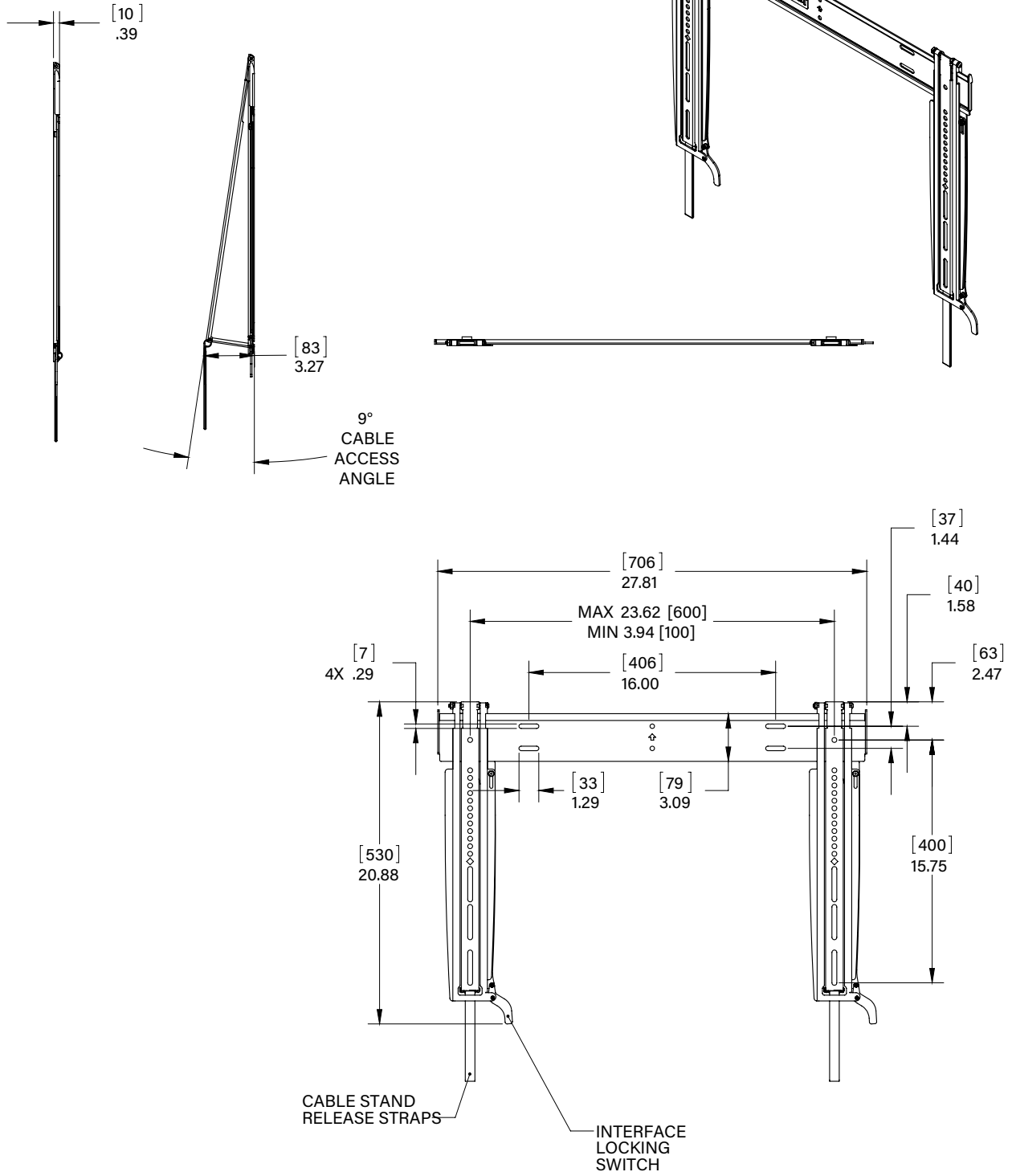
Fixed and Tilt Wall Mount

LTTU



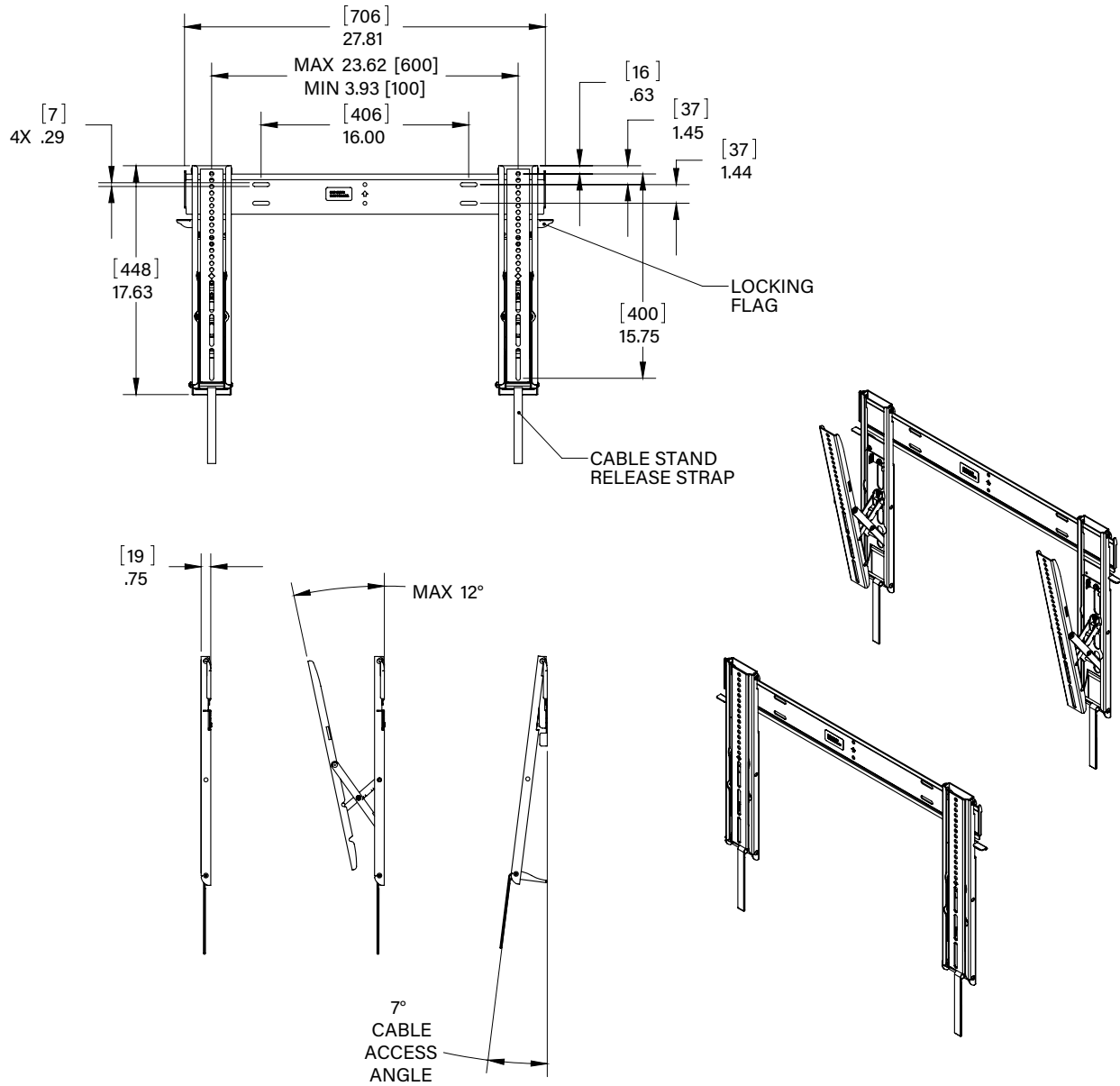
THININSTALL™

Fixed and Tilt Wall Mount MSTU



THINSTALL™

Fixed and Tilt Wall Mount MTTU



LEGRAND | AV COMMERCIAL BRANDS

C2G | Chief | Da-Lite | Luxul | Middle Atlantic | Vaddio | Wiremold

INSTALLER INSPIRED | legrandav.com

USA 866.977.3901 av.chief.support@legrand.com CANADA 877.345.4329 av.chief.canada@legrand.com

EMEA +31 495 580 840 av.emea.sales@legrand.com APAC +852 2145 4099 av.asia.sales@legrand.com

©2023 Legrand AV Inc. 230395 Rev A 5/23 Chief is a registered trademark of Legrand AV Inc. All other brand names or marks are used for identification purposes and are trademarks of their respective owners. All patents are protected under existing designations. Other patents pending.