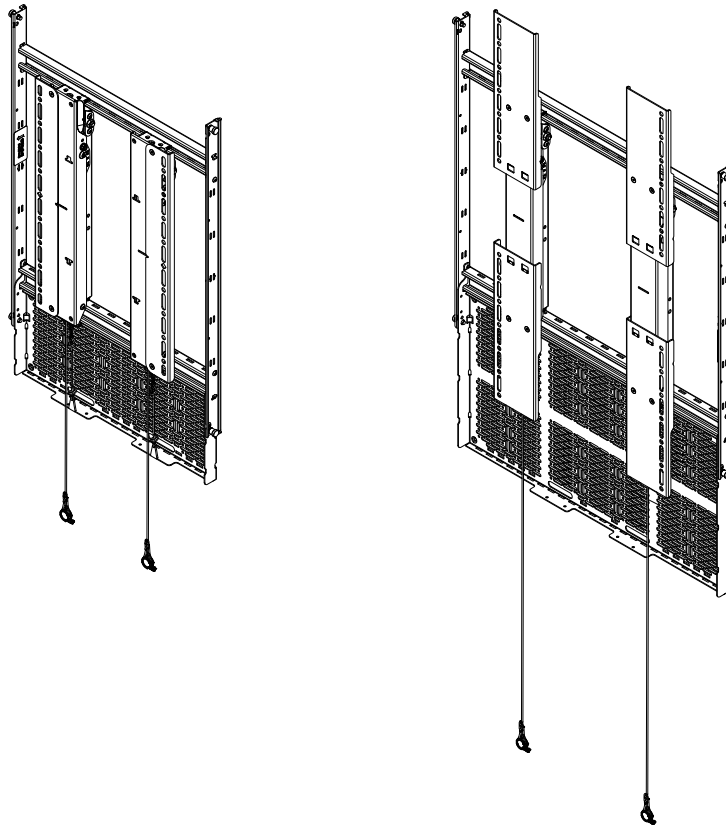


---

# INSTALLATION INSTRUCTIONS

---



---

## Tempo™ Portrait Flat Panel Wall Mount System

---

---

**CHIEF®**

A brand of **legrand®**

**AS3PM/AS3PL**

---

## DISCLAIMER

Legrand | AV and its affiliated corporations and subsidiaries (collectively "Legrand | AV"), intend to make this manual accurate and complete. However, Legrand | AV makes no claim that the information contained herein covers all details, conditions or variations, nor does it provide for every possible contingency in connection with the installation or use of this product. The information contained in this document is subject to change without notice or obligation of any kind. Legrand | AV makes no representation of warranty, expressed or implied, regarding the information contained herein. Legrand | AV assumes no responsibility for accuracy, completeness or sufficiency of the information contained in this document.

Chief® and Tempo™ are registered trademarks of Legrand AV Inc.



## DEFINITIONS

**MOUNTING SYSTEM:** A MOUNTING SYSTEM is the primary Chief product to which an accessory and/or component is attached.

**ACCESSORY:** AN ACCESSORY is the secondary Chief product which is attached to a primary Chief product, and may have a component attached or setting on it.

**COMPONENT:** A COMPONENT is an audiovisual item designed to be attached or resting on an accessory or mounting system such as a video camera, CPU, screen, display, projector, etc.



**WARNING:** A WARNING alerts you to the possibility of serious injury or death if you do not follow the instructions.



**CAUTION:** A CAUTION alerts you to the possibility of damage or destruction of equipment if you do not follow the corresponding instructions.



## IMPORTANT SAFETY INSTRUCTIONS



**WARNING:** Failure to read, thoroughly understand, and follow all instructions can result in serious personal injury, damage to equipment, or voiding of factory warranty! It is the installer's responsibility to make sure all mounting systems are properly assembled and installed using the instructions provided.



**WARNING:** Failure to provide adequate structural strength for this mounting system can result in serious personal injury or damage to equipment! It is the installer's responsibility to make sure the structure to which this mounting system is attached can support five times the combined weight of all equipment. Reinforce the structure as required before installing the mounting system.



**WARNING:** Exceeding the weight capacity can result in serious personal injury or damage to equipment! It is the installer's responsibility to make sure the combined weight of all components attached to the entire mounting system does not exceed the weight listed in the table below depending on the substrate being mounted to. Each storage panel has a maximum weight capacity of 20 lbs (9.07 kg).

**Table 1-1: Interface Weight Capacities**

	Concrete	Wood Stud	Steel Stud (w/ plywood)	Steel Stud (no plywood)
<b>AS3PL</b>	200 lbs (90.7 kg)	200 lbs (90.7 kg)	200 lbs (90.7 kg)	125 lbs (56.7 kg)
<b>AS3PM</b>	75 lbs (34.0 kg)	75 lbs (34.0 kg)	75 lbs (34.0 kg)	75 lbs (34.0 kg)

**Table 1-2: Storage Panel Capacity**

Storage Panel	
<b>AS3PL/AS3PM</b>	20 lbs (9.07 kg)



**WARNING:** Use this mounting system only for its intended use as described in these instructions. Do not use attachments not recommended by the manufacturer.



**WARNING:** Never operate this mounting system if it is damaged. Return the mounting system to a service center for examination and repair.



**WARNING:** This system has no user serviceable parts.

**IMPORTANT ! :** AS3PM/L is designed to be mounted to:

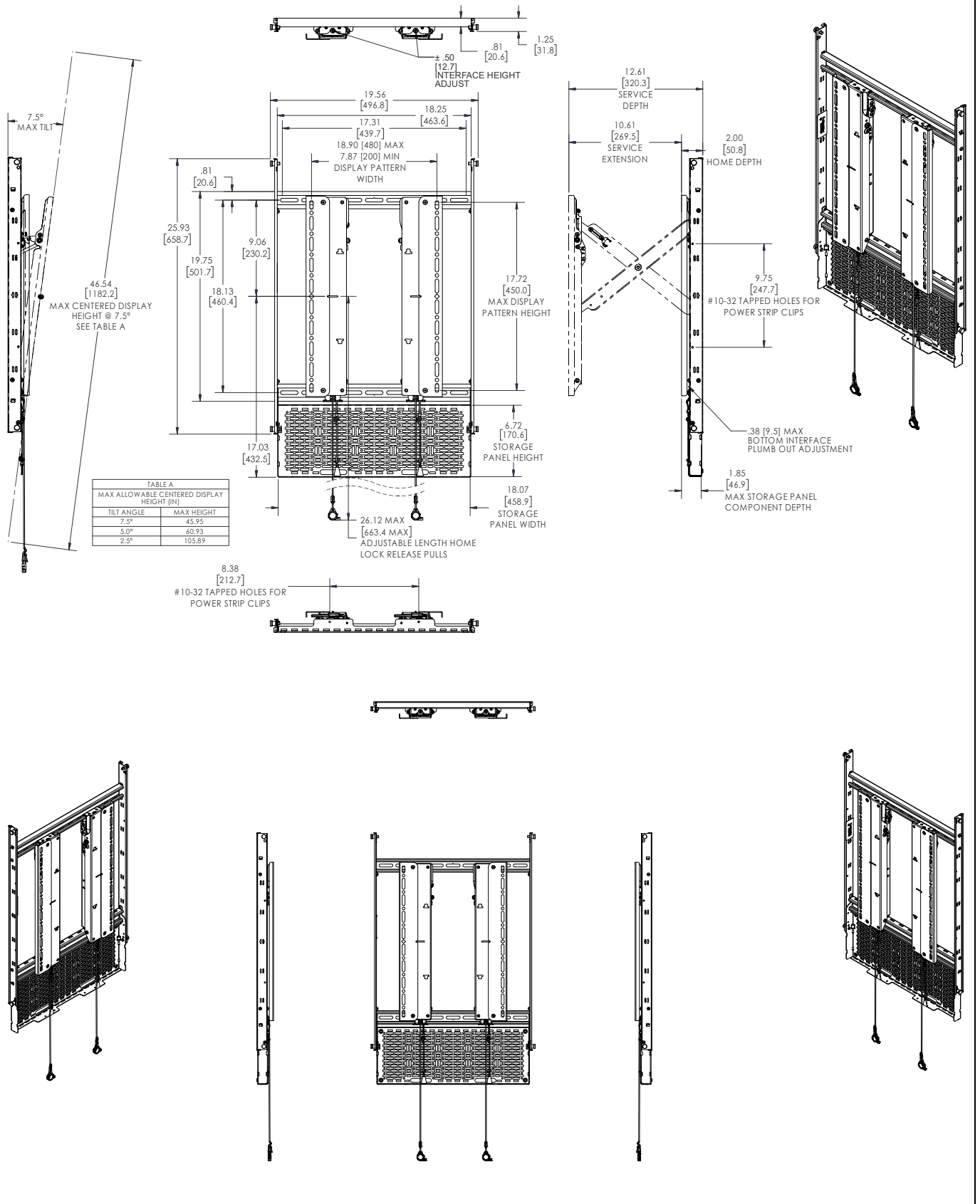
- a bare 8" thick solid concrete or 8"x8"x16" concrete block wall.
- a 3/4" minimum thickness plywood-backed, steel stud wall covered with drywall having a maximum thickness of 5/8"
- a 16" on center 2" x 4" wood stud or 25 ga minimum steel stud wall covered with drywall having a maximum thickness of 5/8" and minimum of 1/2".
- a 24" on-center 2" x 4" wood stud or 25 ga minimum steel stud wall covered with drywall having a maximum thickness of 5/8" and a minimum of 1/2".

**IMPORTANT ! :** AS3PL can be installed on either 16" or 24" on-center wood/steel stud walls. AS3PM can only be installed on 16" on-center wood/steel stud walls.

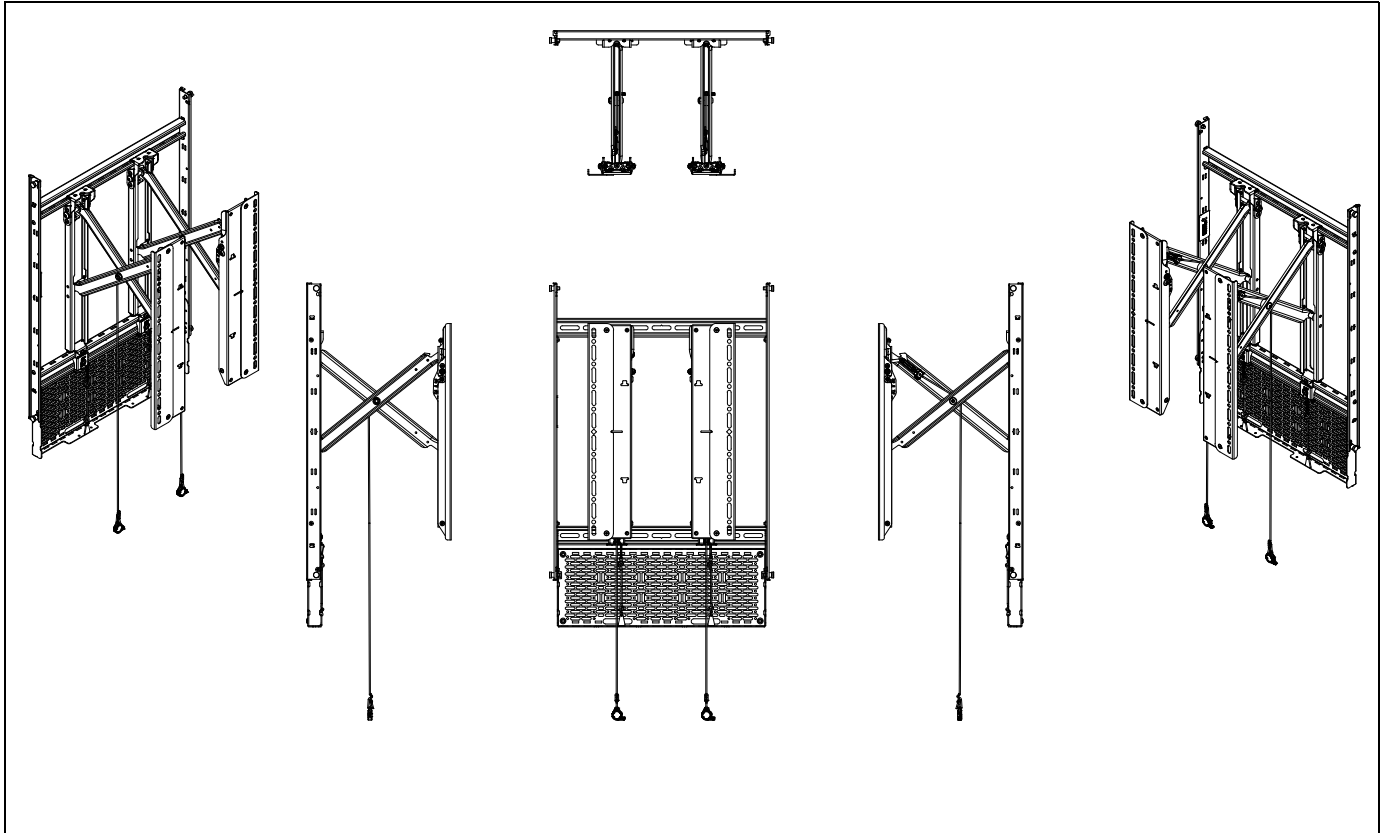
**--SAVE THESE INSTRUCTIONS--**

**DIMENSIONS**

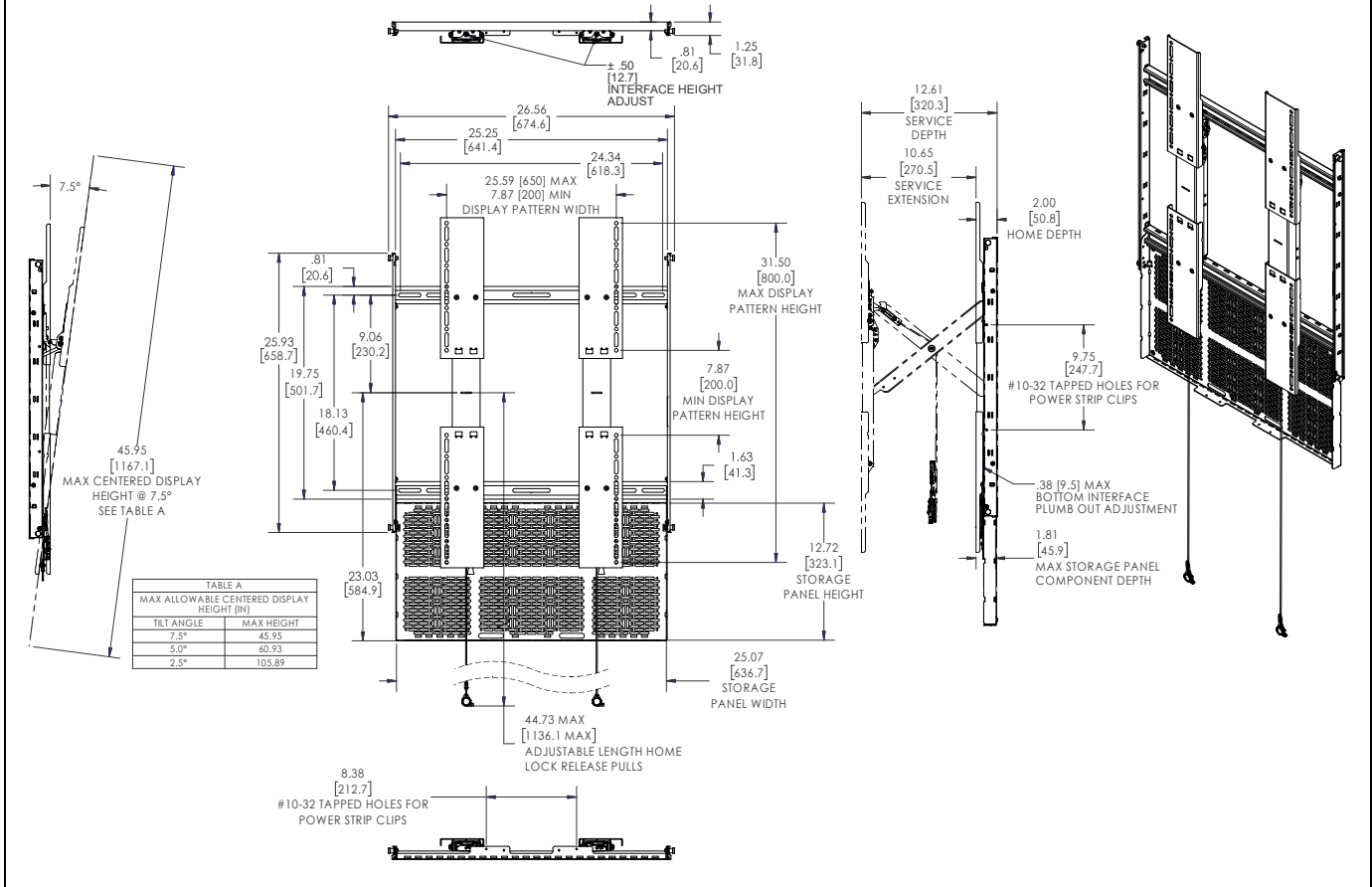
**AS3PM**



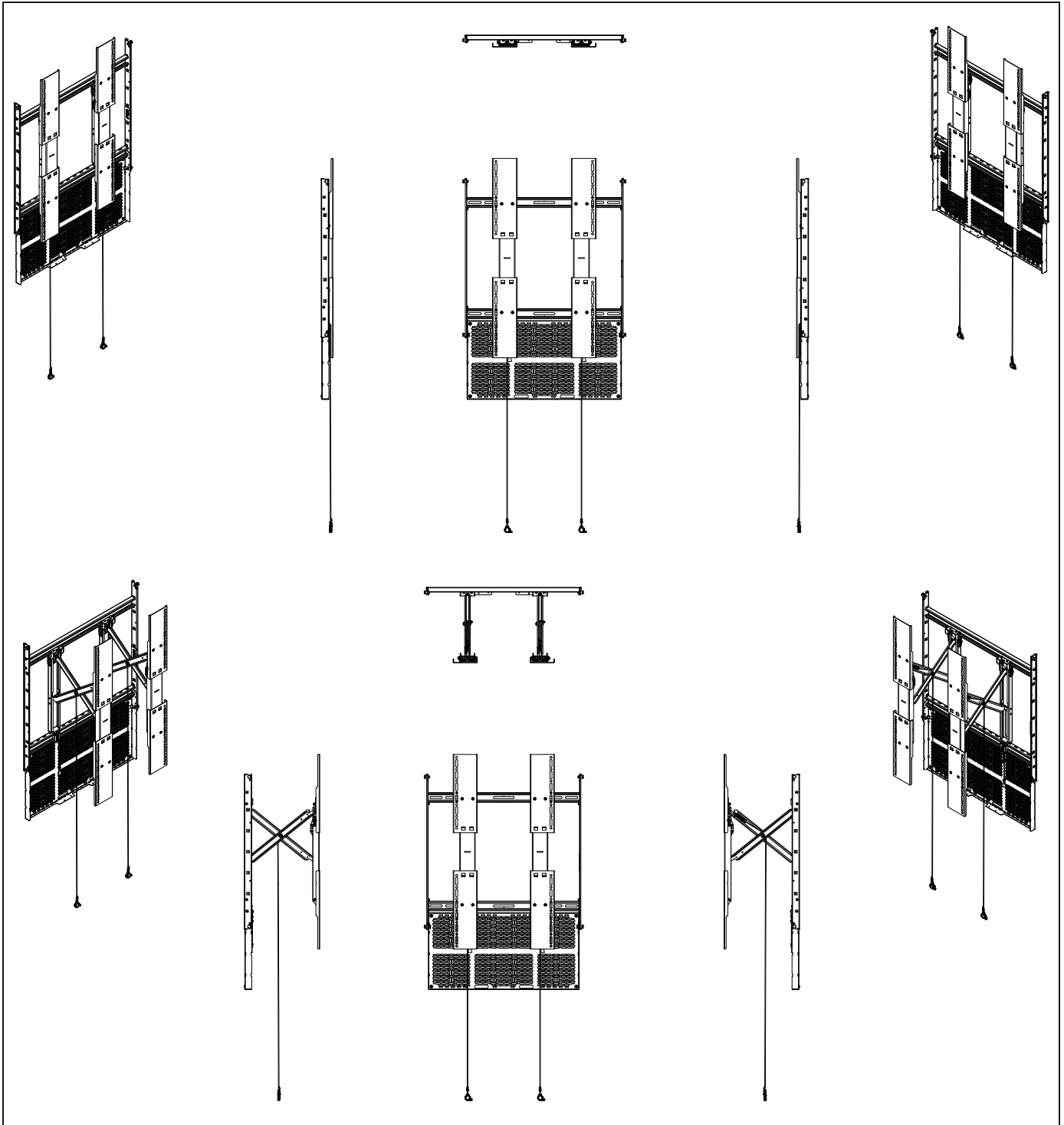
**DIMENSIONS (CONTINUED)**



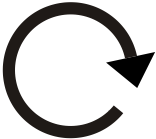

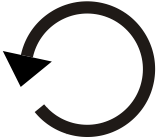









**AS3PL**



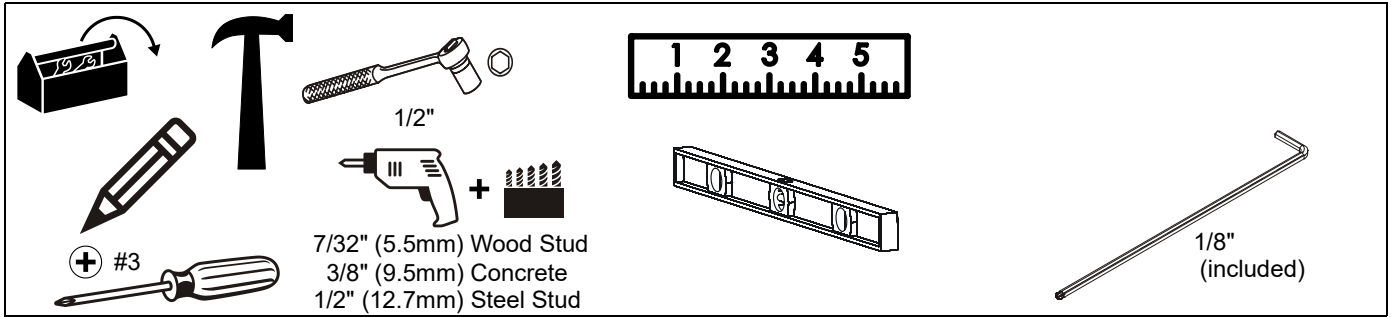
**DIMENSIONS (CONTINUED)**



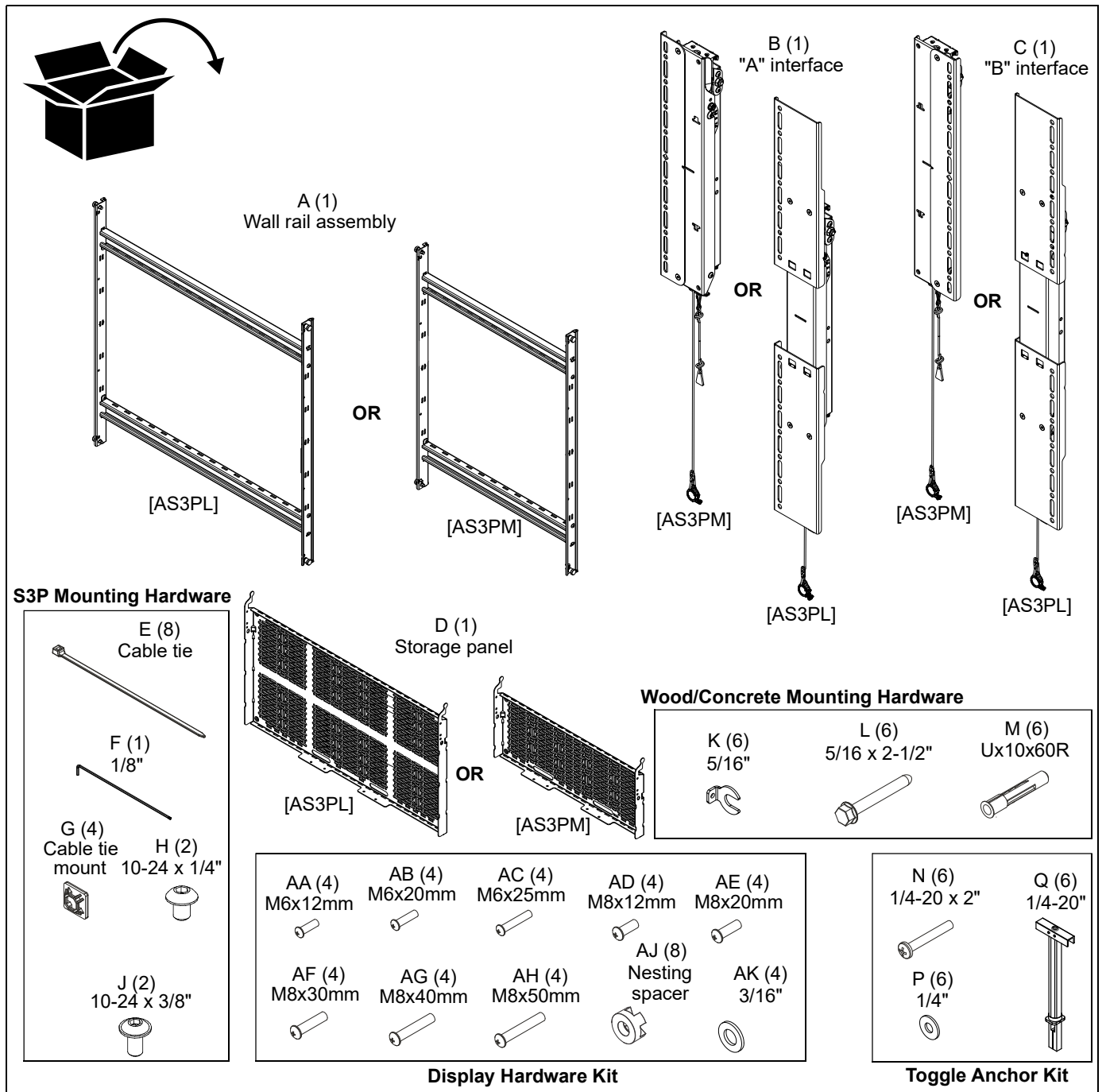
## LEGEND

	<b>Tighten Fastener</b> Apretar elemento de fijación Befestigungsteil festziehen Apertar fixador Serrare il fissaggio Bevestiging vastdraaien Serrez les fixations		<b>Pencil Mark</b> Marcar con lápiz Stiftmarkierung Marcar com lápis Segno a matita Potloodmerkteken Marquage au crayon
	<b>Loosen Fastener</b> Aflojar elemento de fijación Befestigungsteil lösen Desapertar fixador Allentare il fissaggio Bevestiging losdraaien Desserrez les fixations		<b>Drill Hole</b> Perforar Bohrloch Fazer furo Praticare un foro Gat boren Percez un trou
	<b>Phillips Screwdriver</b> Destornillador Phillips Kreuzschlitzschraubendreher Chave de fendas Phillips Cacciavite a stella Kruijskopschroevendraaier Tournevis à pointe cruciforme		<b>Adjust</b> Ajustar Einstellen Ajustar Regolare Afstellen Ajuster
	<b>Open-Ended Wrench</b> Llave de boca Gabelschlüssel Chave de bocas Chiave a punte aperte Steeksleutel Clé à fourche		<b>Remove</b> Quitar Entfernen Remover Rimuovere Verwijderen Retirez
	<b>By Hand</b> A mano Von Hand Com a mão A mano Met de hand À la main		<b>Optional</b> Opcional Optional Opcional Opzionale Optie En option
	<b>Hex-Head Wrench</b> Llave de cabeza hexagonal Sechskantschlüssel Chave de cabeça sextavada Chiave esagonale Zeskantsleutel Clé à tête hexagonale		<b>Security Wrench</b> Llave de seguridad Sicherheitsschlüssel Chave de segurança Chiave di sicurezza Veiligheidssleutel Clé de sécurité

**TOOLS REQUIRED FOR INSTALLATION**



**PARTS**



## Assembly And Installation

### INSTALLATION

The AS3PM/L mounts are designed to be mounted to a bare 8" thick concrete, 8"x8"x16" concrete block; or 2" x 4" wood/metal studs wall covered by drywall with thickness between 1/2" (min) and 5/8" (max) or plywood-backed steel studs covered with drywall.

#### Locate Mounting Site

IMPROPER INSTALLATION CAN LEAD TO MOUNT FALLING CAUSING SEVERE PERSONAL INJURY OR DAMAGE TO EQUIPMENT! It is the installers responsibility to make certain the structure to which the mount is being attached is capable of supporting five times the combined weight of all components located on the mount, not to exceed the values listed in **Table 1-3** below.

**Table 1-3: Total Weight Capacity (Display Plus Two Storage Panels)**

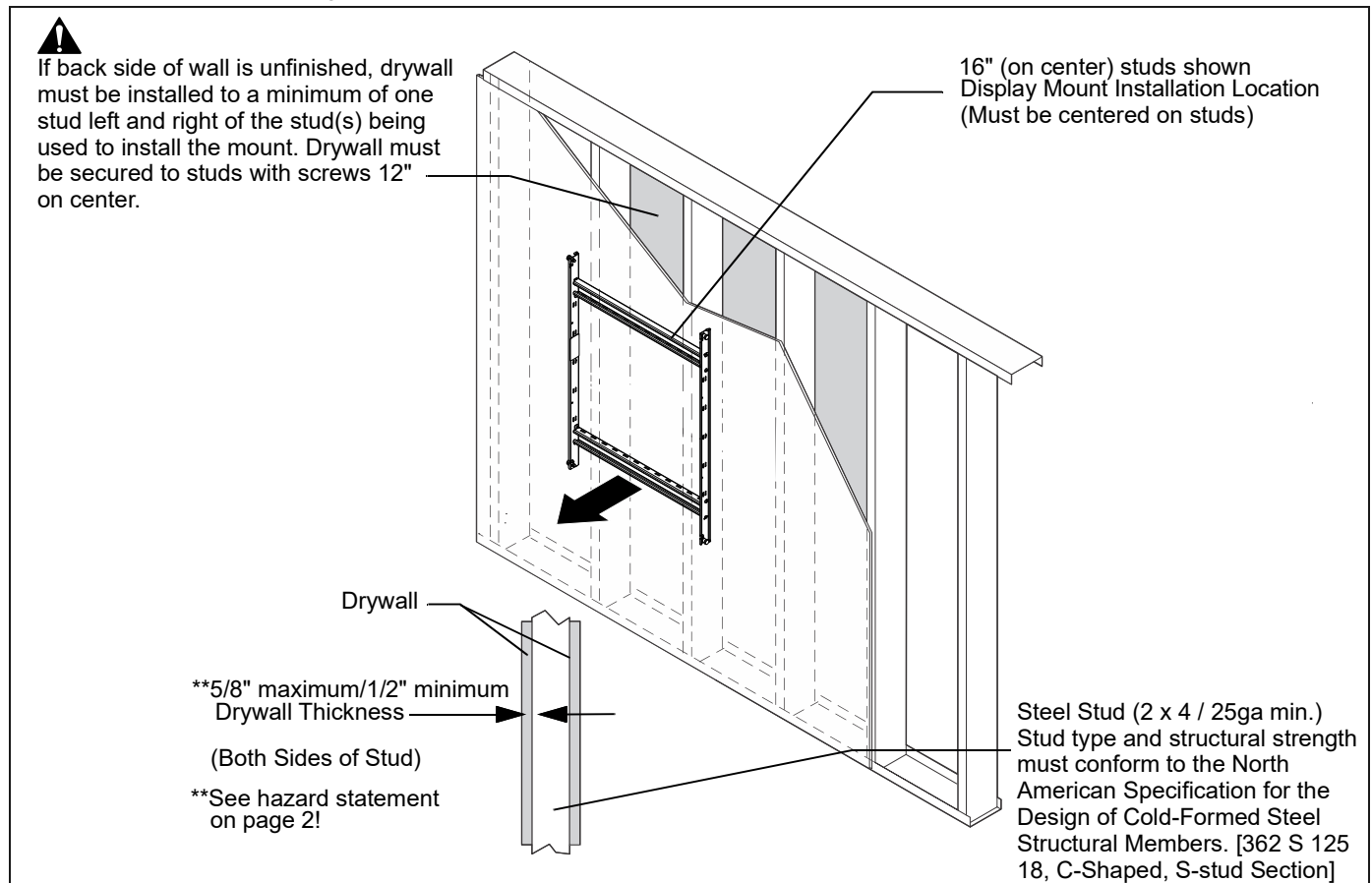
	Concrete/Wood Stud/ Steel Stud (w/ plywood)	Steel Stud (no plywood)
AS3PM	115 lbs (52.2 kg)	115 lbs (52.2 kg)
AS3PL	240 lbs (108.9 kg)	165 lbs (74.8 kg)

See **Table 1-1** and **Table 1-2** on Page 2 for more specific details.

**NOTE:** Proceed to either the **Installing to a Wood Stud Wall, Steel Stud (no plywood-backing), Plywood-backed Steel Stud** or the **Installing to a Concrete Wall** section.

#### Steel Stud Wall (no plywood-backing)

**WARNING:** IMPROPER INSTALLATION CAN LEAD TO EQUIPMENT FALLING CAUSING SERIOUS PERSONAL INJURY OR DAMAGE TO EQUIPMENT! The figure below identifies the minimum requirements for installation of display mounts onto a steel stud structure. If the structure or its components do not meet these requirements contact the mount manufacturer for specific instructions before attempting installation. It should also be noted that no other equipment should be mounted to the same stud.



**Figure 1**

(Steel Stud Wall continued)

1. Determine the center of the TV screen, and where it should be located on the wall.
2. Locate the closest stud to the center of the TV screen, then locate the closest stud to the left and/or right of the selected location.
3. Line up the slots on the wall rail assembly (A) with the two studs previously identified. (See Figure 2)

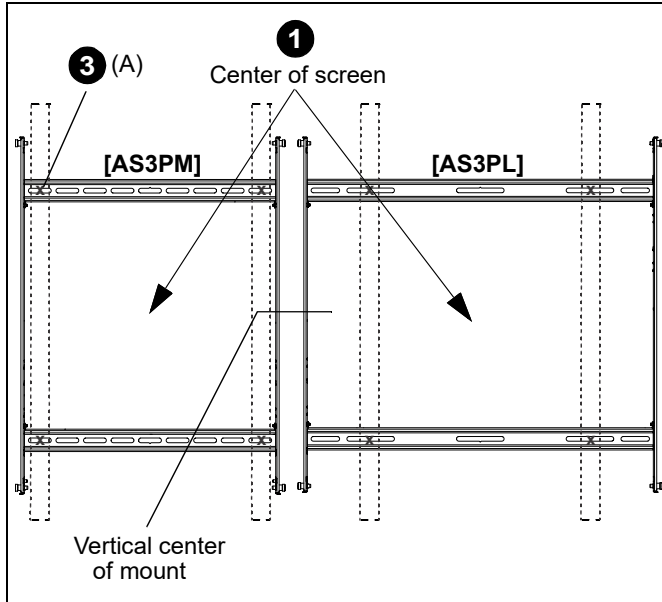


Figure 2

4. Using a level, mark the wall on each stud to attach the mount through the mounting slots. (See Figure 6)
5. Drill four 1/2" (12.7mm) pilot holes (one in each stud) at the site of the upper and lower mounting holes. (See Figure 4) and (See Figure 6)

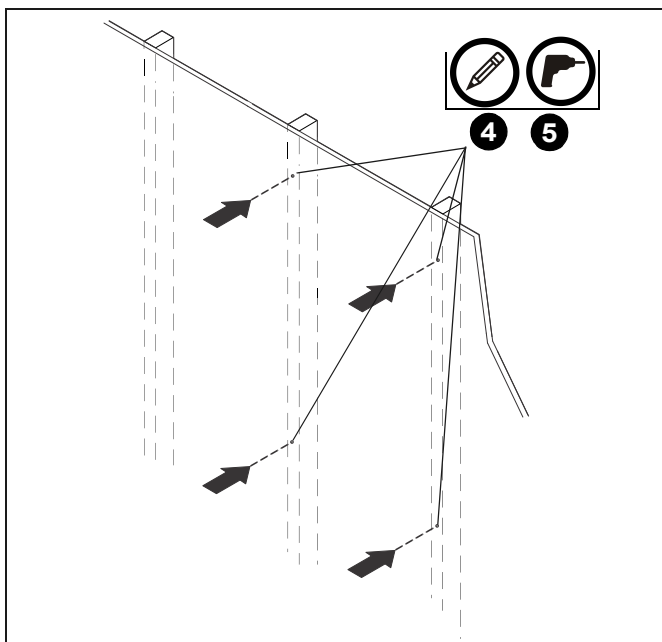


Figure 3

6. Hold metal channel on anchor (Q) flat alongside plastic straps and slide channel through hole. (See Figure 4)

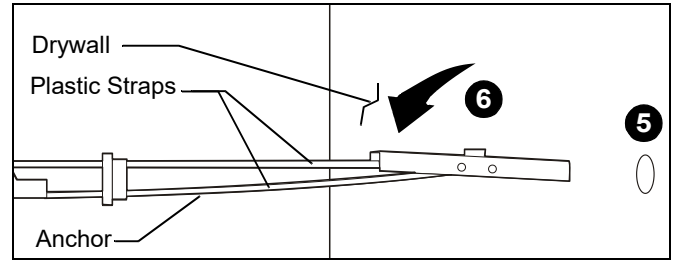


Figure 4

7. Holding plastic straps on anchor (Q), pull anchor away from wall until channel rests flush behind wall making sure anchor channel is positioned vertically on stud. (See Figure 5)
8. Slide plastic cap on anchor towards wall until flange of cap is flush with wall. (See Figure 5)

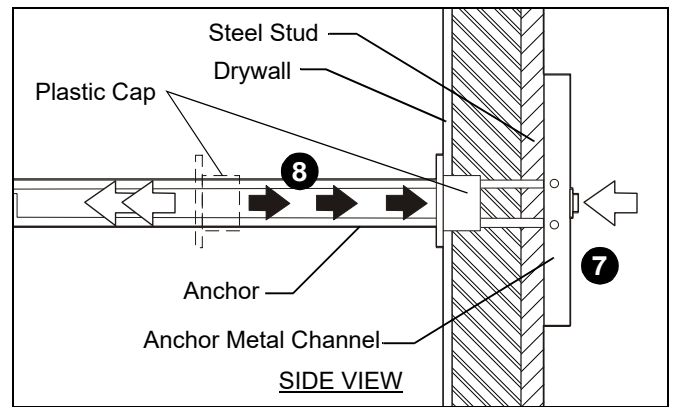


Figure 5

9. Snap off plastic straps on anchor (Q) at wall by pushing side to side, snapping off straps level with flange of plastic cap. (See Figure 6)
10. Repeat Steps 6 through 9 for each mounting hole.

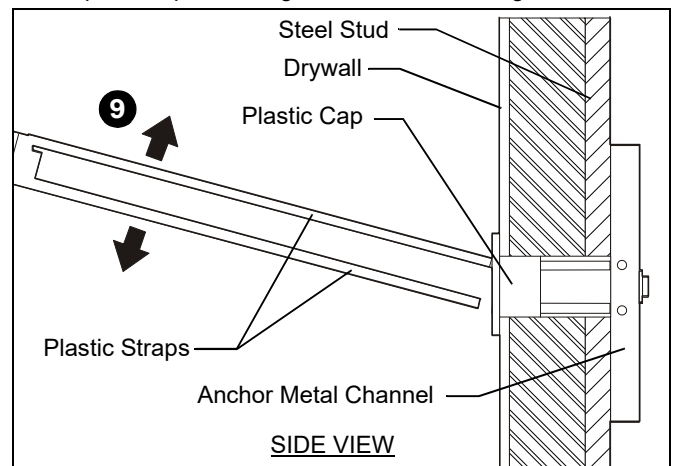


Figure 6

**⚠ WARNING:** IMPROPER INSTALLATION CAN LEAD TO EQUIPMENT FALLING CAUSING SERIOUS PERSONAL INJURY OR DAMAGE TO EQUIPMENT! Overtightening of mounting hardware can damage the steel studs. DO NOT overtighten mounting hardware!

11. Use four 1/4-20 x 2" Phillips pan machine screws (N) and two 1/4" washers (P) to attach the mount to the wall through the upper and lower mounting holes. (See Figure 7)

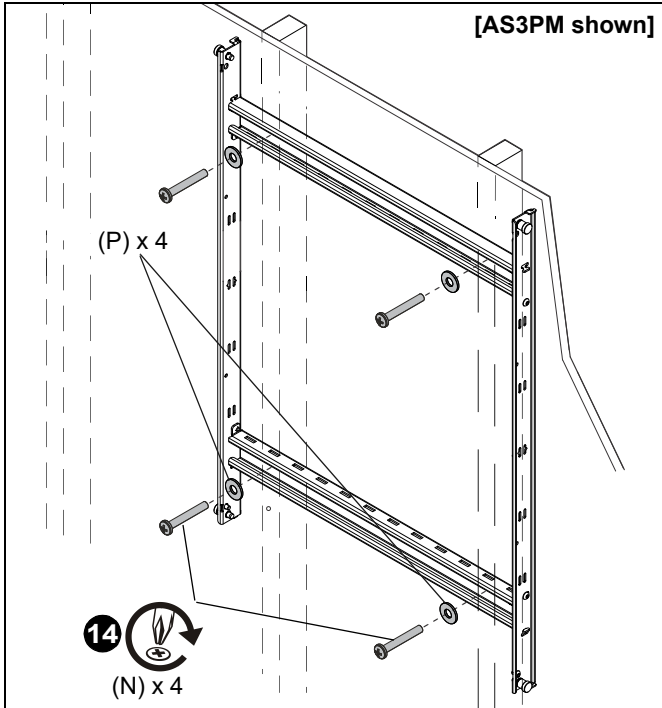


Figure 7

12. Proceed to **Attaching Interface Brackets to Screen** section.

**Installing to a Wood Stud Wall**

**IMPORTANT ! :** AS3PL can be installed on either 16" or 24" on-center wood stud walls. AS3PM can only be installed on 16" on-center wood stud walls.

1. Determine the center of the TV screen, and where it should be located on the wall.
2. Locate the closest stud to the center of the TV screen, then locate the closest stud to the left and/or right of the selected location. (See Figure 8)
3. Line up the slots in the wall rail assembly (A) with the two studs previously identified. (See Figure 8)

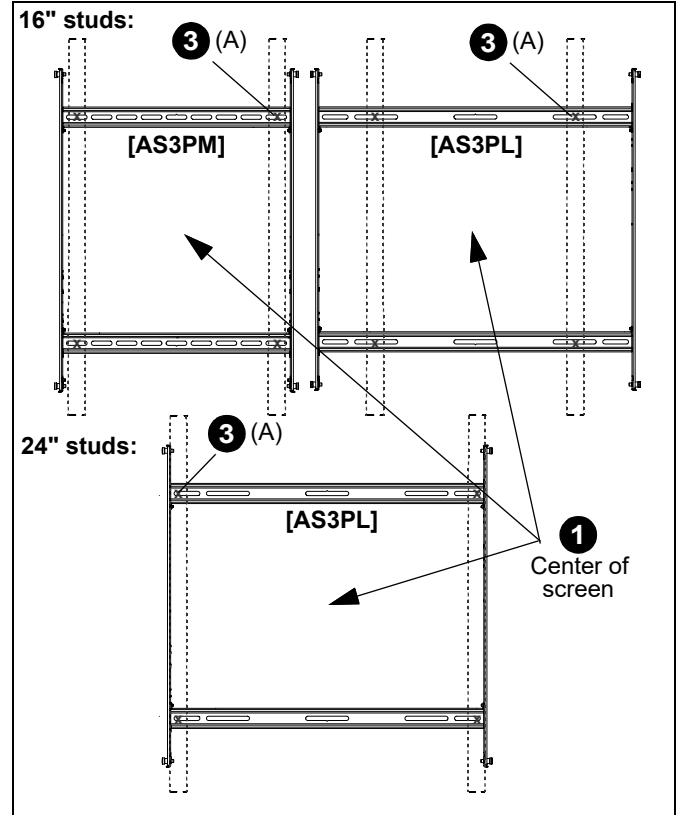


Figure 8

4. Using a level, mark the wall on each stud to attach the mount through the mounting slots. (See Figure 9)
5. Drill four 7/32" (5.5mm) pilot holes (one in each stud) at the site of the upper and lower mounting holes. (See Figure 9)

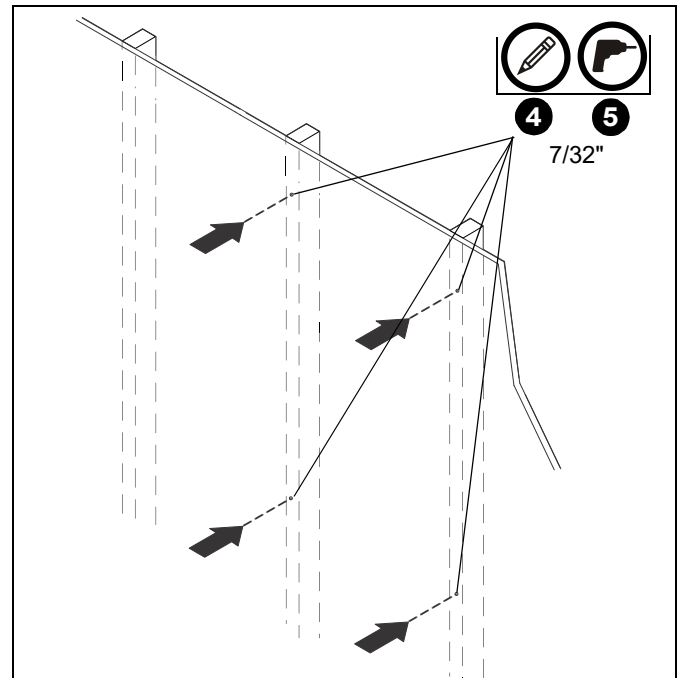
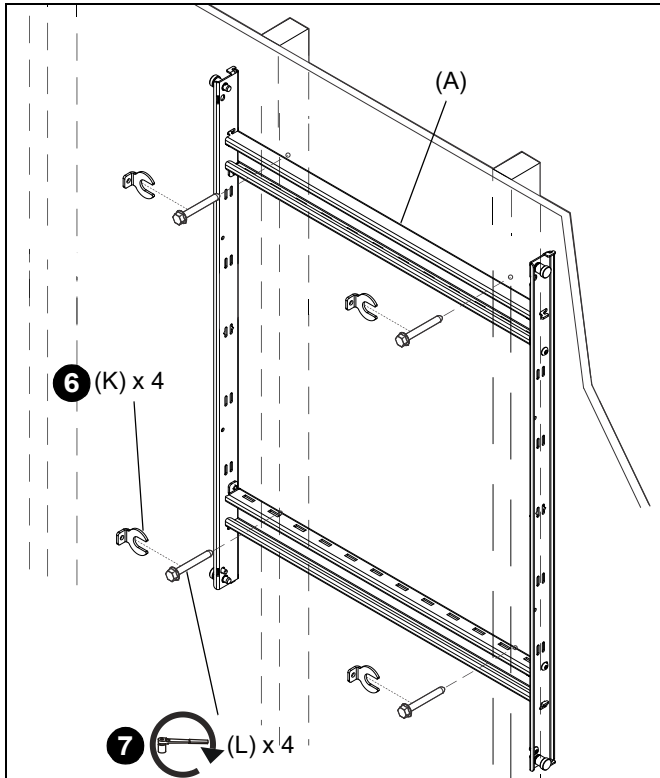


Figure 9

6. Place one slotted washer (K) over each flanged lag bolt. (See Figure 10)
7. Use four 5/16 x 2-1/2" flanged lag bolts (L) and four 5/16" slotted washers (K) to attach the mount to the wall through the upper and lower mounting holes. (See Figure 10)

**NOTE:** Place the slotted washers (K) over each of the flanged lag bolts (L) prior to installing the bolts through the wall rail assembly.



**Figure 10**

8. Proceed to **Attaching Interface Brackets to Screen** section.

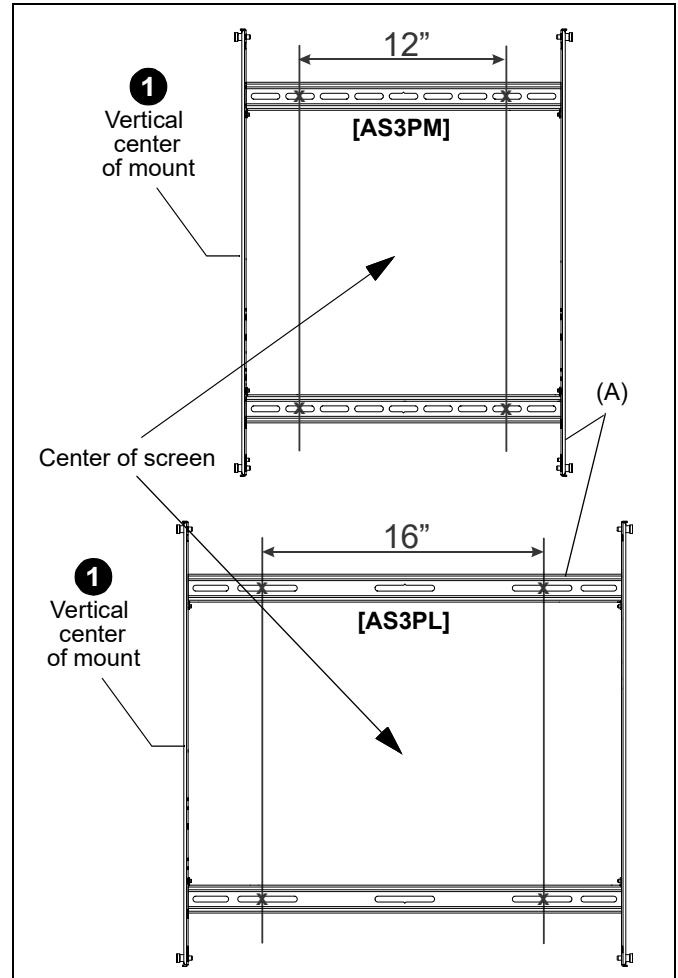
**Installing to a Concrete Wall**

**IMPORTANT ! :** The AS3PM/AS3PL is designed to be mounted to a bare 8" thick solid concrete or 8"x8"x16" concrete block wall. Fasteners must be placed a minimum of 12" (305mm) apart for AS3PM or 16" (406mm) apart for AS3PL.

1. Determine the center of the TV screen, and where it should be located on the wall.



**CAUTION:** MINIMUM HORIZONTAL DISTANCE BETWEEN MOUNTING HOLES IS 12" (305mm) for AS3PM **OR** 16" (406mm) for AS3PL. Do not drill mounting holes closer together than 12" (305mm) for AS3PM **OR** 16" (406mm) for AS3PL.



**Figure 11**

2. Using a level, mark the wall at mounting hole locations at least 12" apart (AS3PM) or 16" apart (AS3PL) from each other. (See Figure 11)
3. Drill four 3/8" (9.5mm) pilot holes at the site of the upper and lower mounting holes.
4. Use a hammer to install four concrete anchors (M) into drilled holes. (See Figure 12)
5. Place one slotted washer (K) over each flanged lag bolt. (See Figure 12)
6. Use four 5/16 x 2-1/2" flanged lag bolts (L) and four 5/16" slotted washers (K) to attach the mount to the wall through the upper and lower mounting holes. (See Figure 12)

**NOTE:** Place the slotted washers (K) over each of the flanged lag bolts (L) prior to installing the bolts through the wall rail assembly.

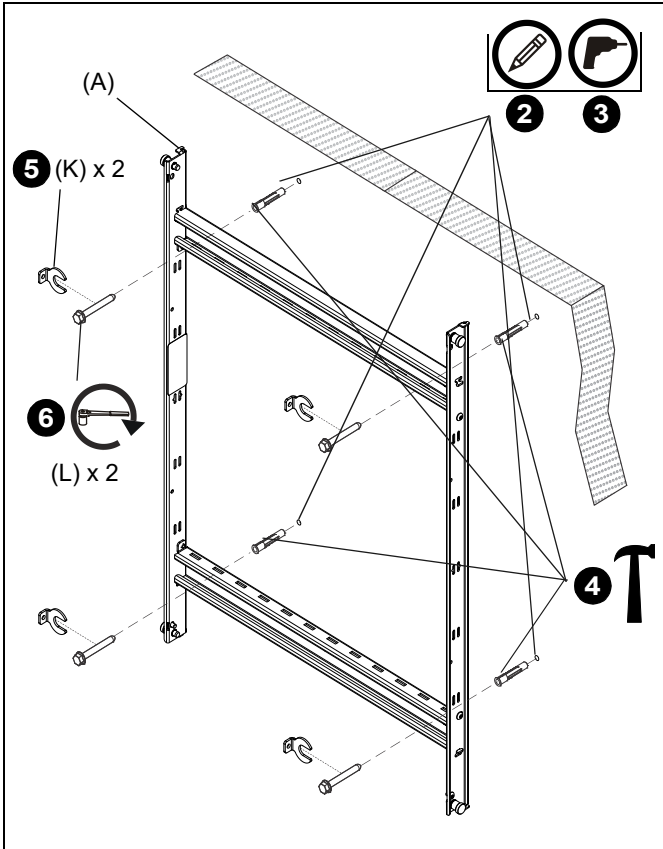
**Plywood-Backed Steel Stud**



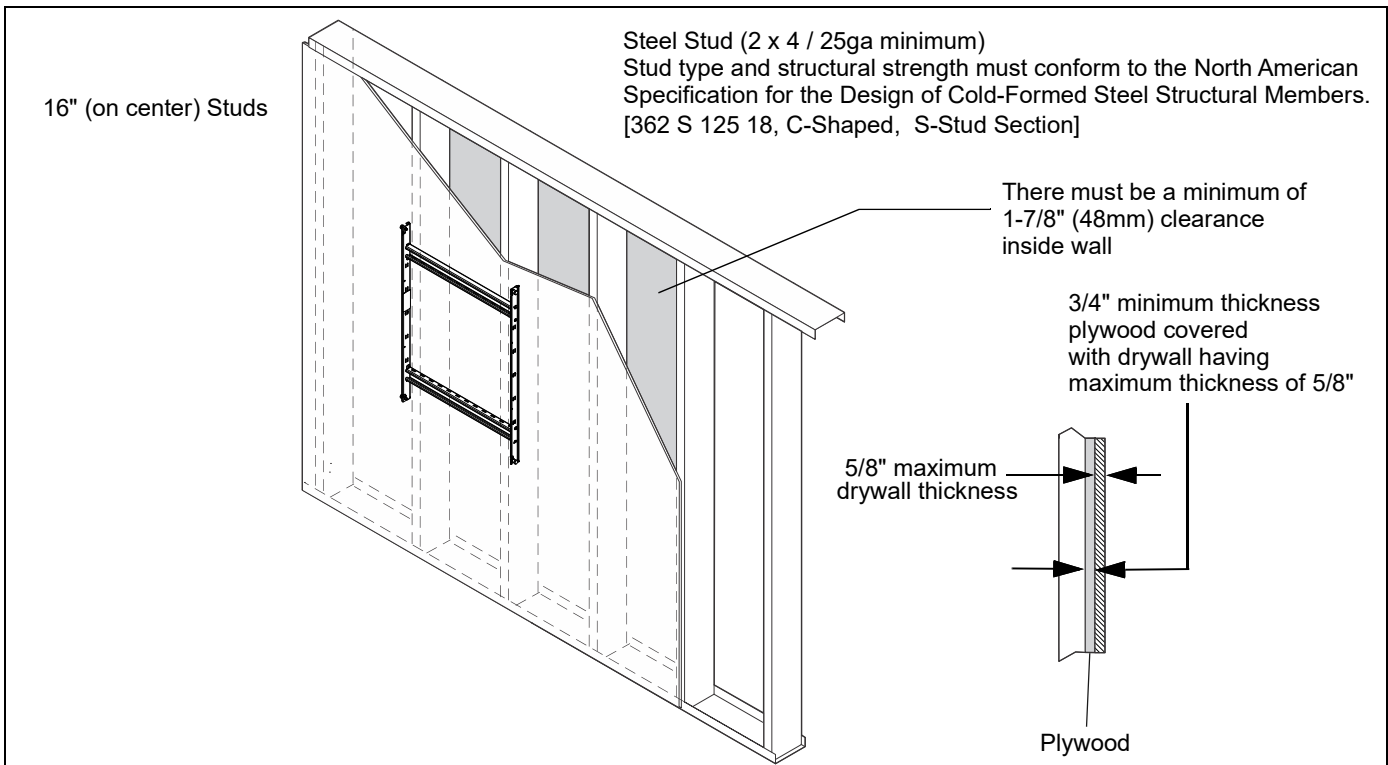
**WARNING:** IMPROPER INSTALLATION CAN LEAD TO EQUIPMENT FALLING CAUSING SERIOUS PERSONAL INJURY OR DAMAGE TO EQUIPMENT! The figure below identifies the minimum requirements for installation of display mounts onto a steel stud structure. If the structure or its components do not meet these requirements contact the mount manufacturer for specific instructions before attempting installation. It should also be noted that no other equipment should be mounted to the same stud.



**WARNING:** If back side of wall is unfinished, drywall must be installed to a minimum of one stud left and right of the stud(s) being used to install the mount. Drywall must be secured to studs with screws a maximum of 12" (305mm) apart down center of stud.



**Figure 12**



**Figure 13**

1. Determine the center of the TV screen, and where it should be located on the wall.

**IMPORTANT !** : When installing mount to plywood-backed steel studs, one lag bolt must be installed in the end slot of each rail (upper and lower). Additionally, AS3PL must have two lag bolts installed in the next slots inside from the end slots in the upper rail.

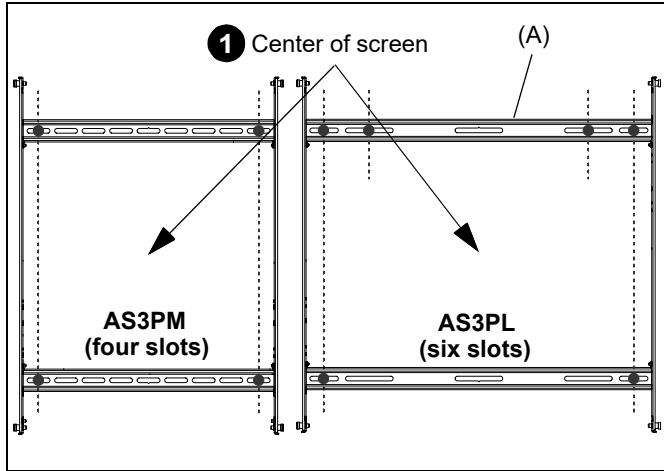


Figure 14

2. Using a level, mark the wall for four (AS3PM) or six (AS3PL) mounting hole locations in the end slots and middle slots of each rail shown in Figure 15. (See Figure 15)
3. Drill four (AS3PM) or six (AS3PL) 7/32" (5.5mm) pilot holes at the site of the upper and lower mounting holes.

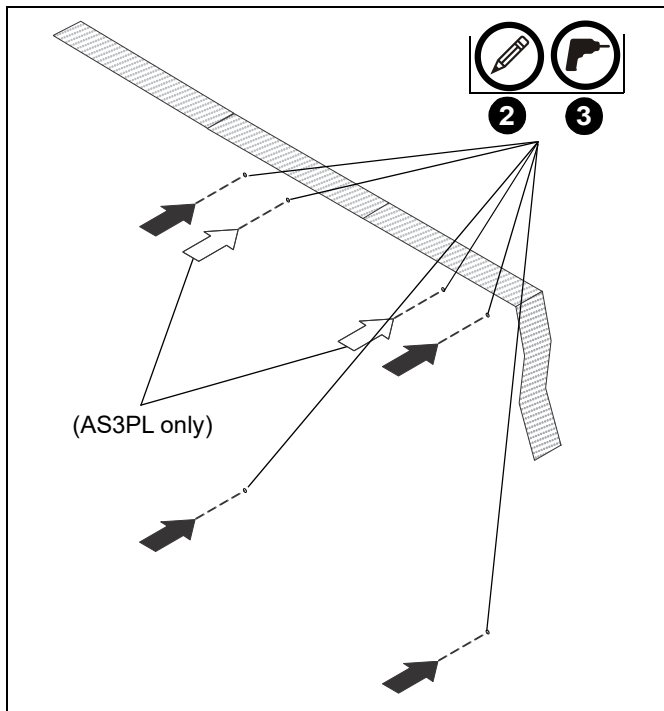


Figure 15

4. Place one slotted washer (H) over each upper flanged lag bolt. (See Figure 16)
5. Use four (AS3PM) or six (AS3PL) 5/16 x 2-1/2" flanged lag bolts (N) and four (AS3PM) or six (AS3PL) 5/16" slotted washers (H) to attach the mount to the wall through the required upper and lower mounting holes. (See Figure 16)

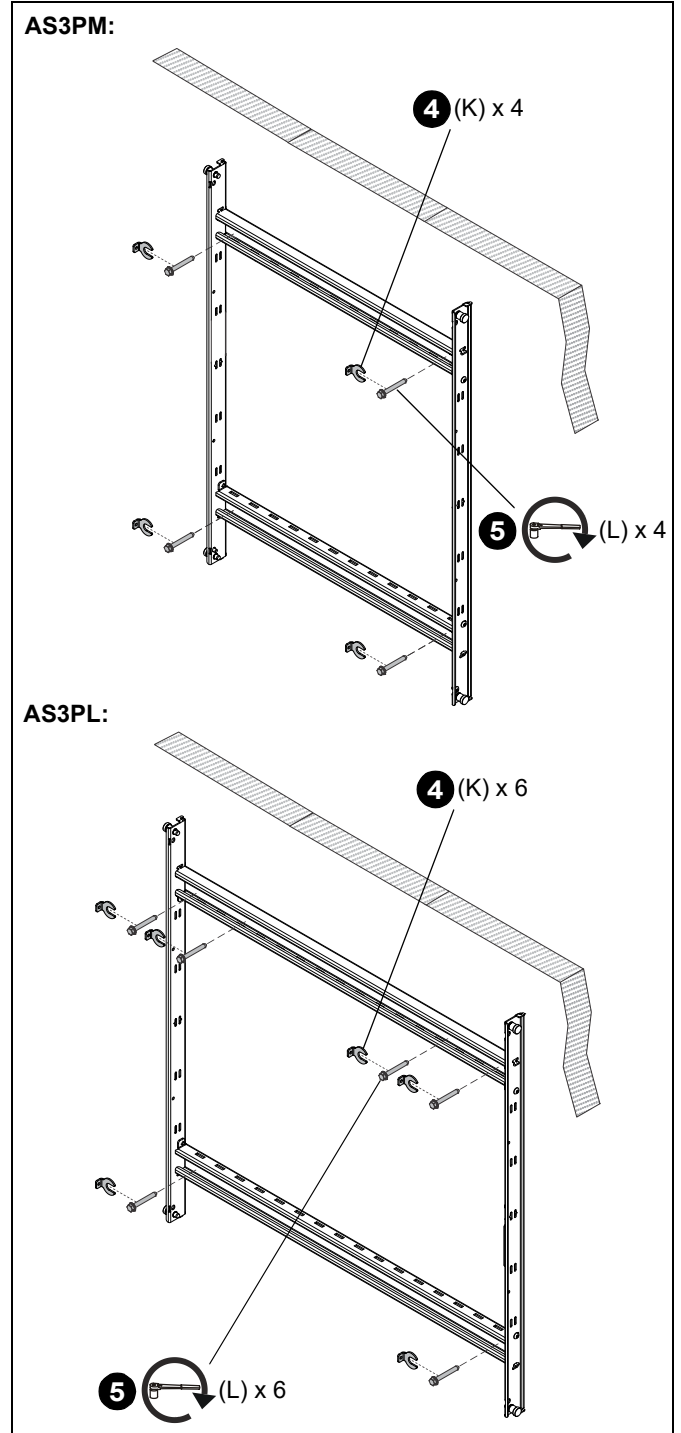


Figure 16

### Attaching Interface Brackets to Screen

- Place displays face down on a soft, non-abrasive surface.



**WARNING:** IMPROPER INSTALLATION CAN LEAD TO DISPLAY FALLING CAUSING SERIOUS PERSONAL INJURY OR DAMAGE TO EQUIPMENT! Using screws of improper size may damage your display. Properly sized screws will easily and completely thread into display mounting holes. If spacers are required, be sure to use longer screws of the same diameter.

- Select screw *diameter* by examining hardware (AA-AH) and comparing with mounting holes on display. (See Figure 18)
- Select spacers and washers:

**NOTE:** The nesting spacers (AJ) may be used separately, or put two together in different configurations to create different size spacers. (See Figure 17)

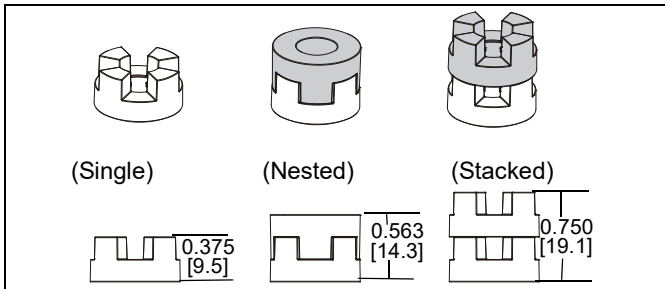


Figure 17

**NOTE:** 3/16" washers (AK) can ONLY be used with M6 screws (AA-AC) as M8 screws (AD-AH) have too large of a diameter.

- Select screw *length*: (See Figure 18)
  - By hand, insert **SHORTEST** length screw of selected diameter (AA-AH) through 3/8" washer (AK), bracket (A or B), nesting spacer (AJ, if required), into display mounting hole. Do NOT thread screw into hole at this time.
  - Proper screw length requires base of screw head to protrude above flat washer (if flat washer is used) a *distance equal to or greater than the screw diameter*. If screw length is inadequate, select longer screw. Select *shortest* screw which will protrude the required distance.

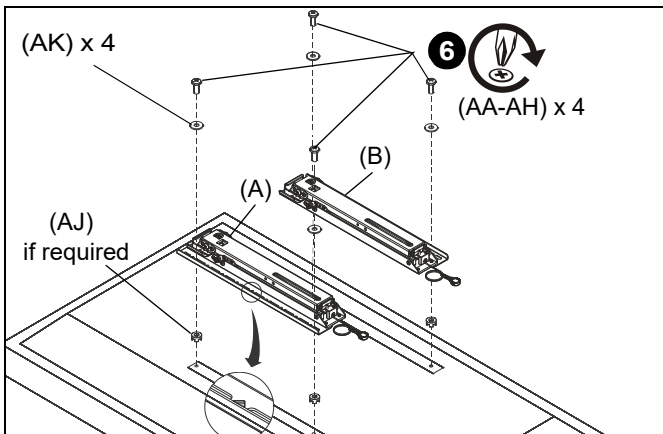


Figure 18

- Make sure diamond on interface brackets is even with center of display. (See Figure 18)
- Use selected screws (AA-AH), washers (AK) and spacers (AJ), if necessary, to connect interface brackets (A and B) to back of display. (See Figure 18)
- Adjust tilt as desired following instructions in **Tilt Adjustment Section**.

**NOTE:** Prior to installation, check to make sure height adjustment is centered. (See Figure 19)

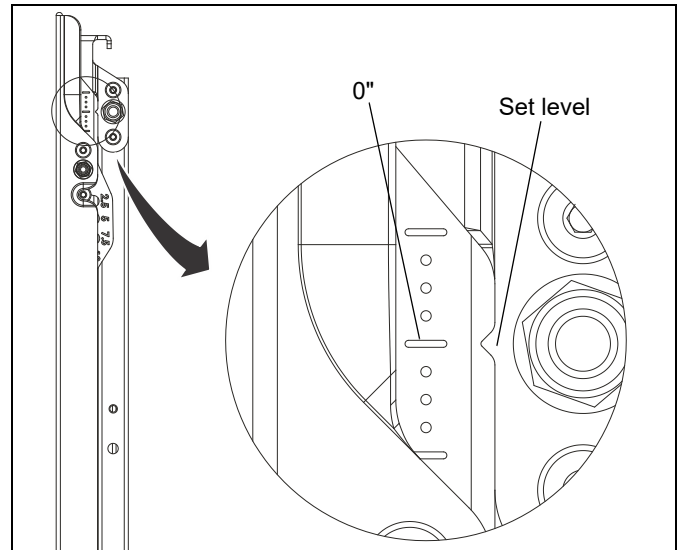


Figure 19

- Lower home latch release cords on each interface bracket (A and B). (See Figure 20)
- Raise display with attached interface brackets and hook top of brackets into top of mount. (See Figure 20)

**NOTE:** The nubs on the interface magnet holders may be inserted through holes to lock brackets in place

- Slide interface rail hooks under lower rail. (See Figure 20)

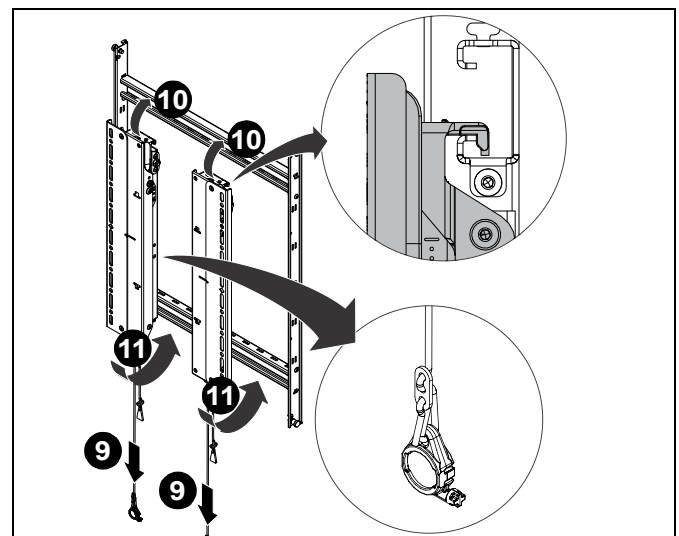


Figure 20

**IMPORTANT !** : Make sure pull cords are free of mount and not trapped in the bottom rail hook bracket.

11. Install button head screws (J) to secure lower latch bracket on bottom rail on both interface brackets. (See Figure 21)

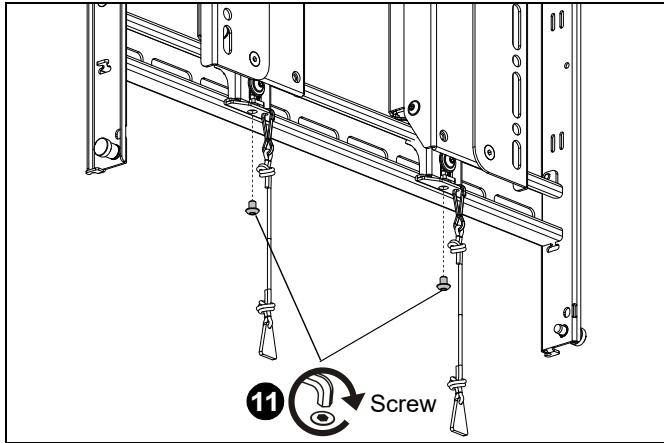


Figure 21

**NOTE:** There is a home latch lock-out clip on each upright (A and B) that prevents the uprights from being locked in the home position. If it is desired to lock uprights in the home position, these clips may be removed manually. (See Figure 22)

12. Push the screen back into the home latch position.

**IMPORTANT !** : Removing home latch lock-out clips will allow the mount to lock in the home position. If pull cords are not properly stowed before latching the mount in home position it may be significantly difficult to release the mount for service accessibility. After removing the home latch lock-out clips, **ALWAYS MAKE SURE PULL CORDS ARE ACCESSIBLE** before moving the mount to the home latched position. The mount has a backup release mechanism. See Backup Home Position Unlatching Section for details.

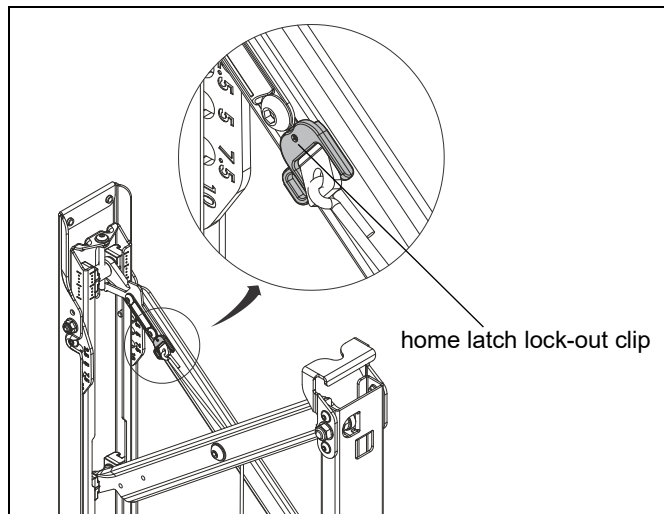


Figure 22

## Storage Panel Installation

1. Insert the two upper points on the storage panel (A) into the channel along the upper or lower horizontal rail on the wall rail assembly. (See Figure 23)
2. Guide the bottom/top edge of the storage panel (A) towards the wall until it is positioned vertically below/above the wall rail assembly. (See Figure 23)

**NOTE:** Verify that both side spring pins have engaged to latch the storage panel.

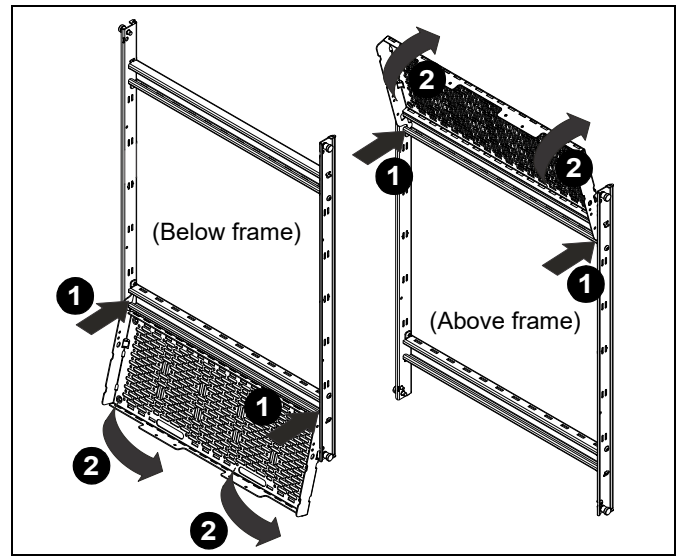


Figure 23

3. Secure the storage panel (A) to the wall rail assembly using two 10-24 x 1/2" button head screws (D). (See Figure 24)

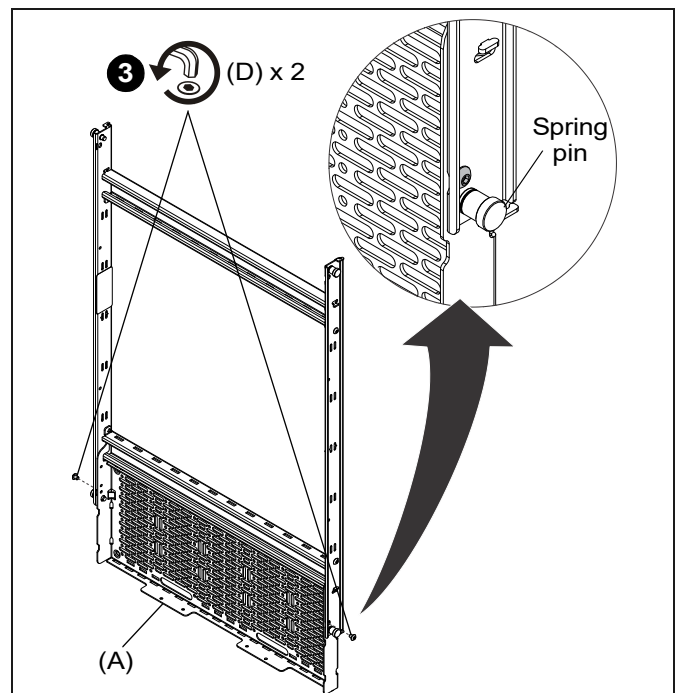


Figure 24

- Use the included cable ties (B) and cable tie mounts (C) to install desired components to the storage panel (A).

**IMPORTANT ! :** Remove the two button head screws (D) and pull out the spring pins to disconnect the storage panel from the wall rail assembly.

**NOTE:** Spring pins can be removed or replaced by rotating clockwise (tighten) or counter-clockwise (loosen).

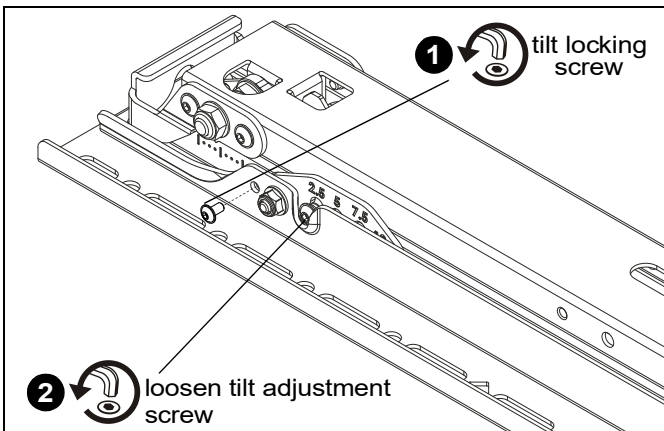
**Adjustments**

**Tilt Adjustment**

- With display removed from mount, remove home tilt locking screws from interface brackets (A and B). (See Figure 25)

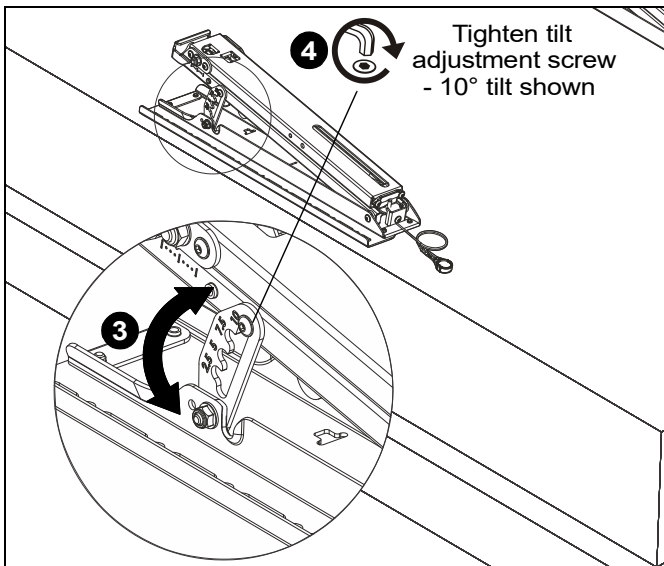
**NOTE:** Home tilt locking screws do not need to be removed if the display is not going to use the tilt feature.

- Loosen tilt adjustment screws on interface brackets (A and B). (See Figure 25)



**Figure 25**

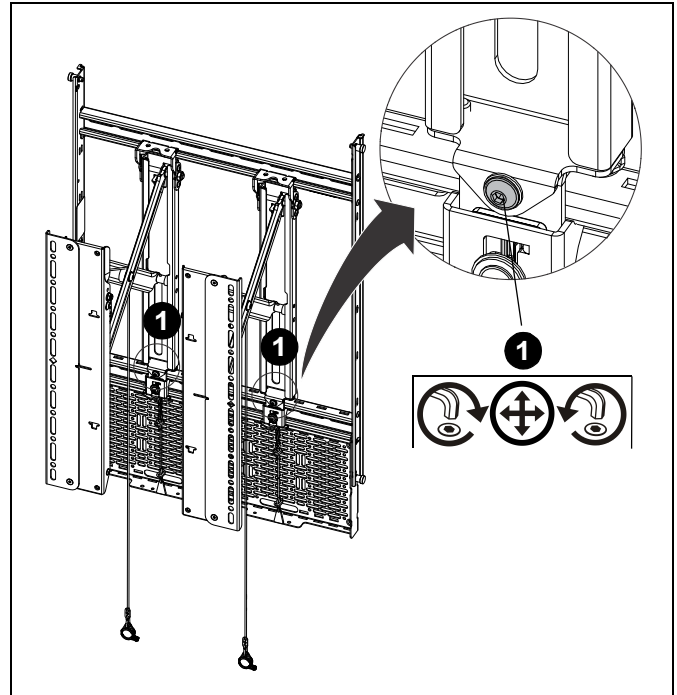
- Adjust tilt to desired tilt angle. (See Figure 26)
- Tighten tilt adjustment screws to lock tilt position. (See Figure 26)



**Figure 26**

**Plumb Adjustment**

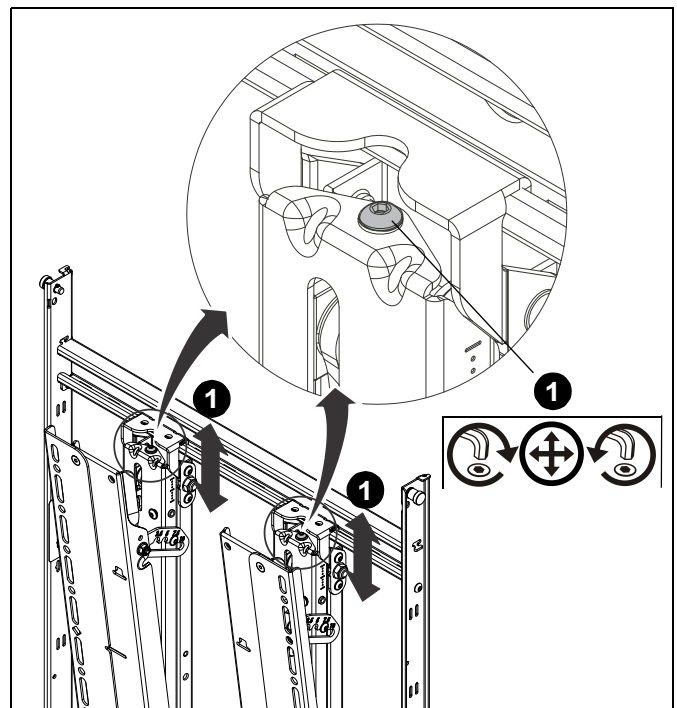
- Adjust plumb adjustment screws to adjust plumb of each interface bracket (A and B). (See Figure 27)



**Figure 27**

**Micro Height Adjustment**

- Adjust micro height-adjustment screws to make minor adjustments to height of each interface bracket (A and B). (See Figure 28)



**Figure 28**

- Refer to height adjustment markings on side of each interface bracket (A and B) to check adjusted height of each bracket. (See Figure 28)

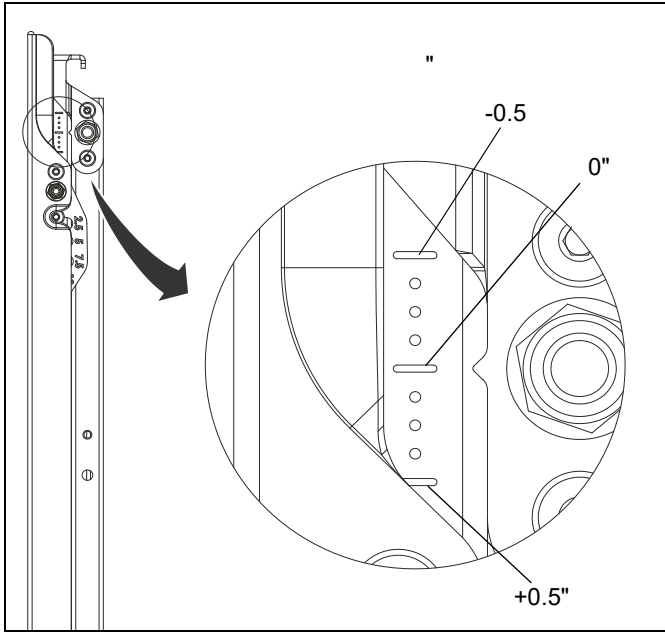


Figure 29

### Backup Home Position Unlatching (if necessary)

**NOTE:** The following steps are only required if the mount becomes accidentally locked in the home position if the home latch lock-out clip was removed AND the pull cords are not in an accessible position to release it.

- Refer to the dimensions in Figure 29 or use template and table provided on page 19 to create a shim tool from cardboard or another similar rigid material. (See Figure 30)

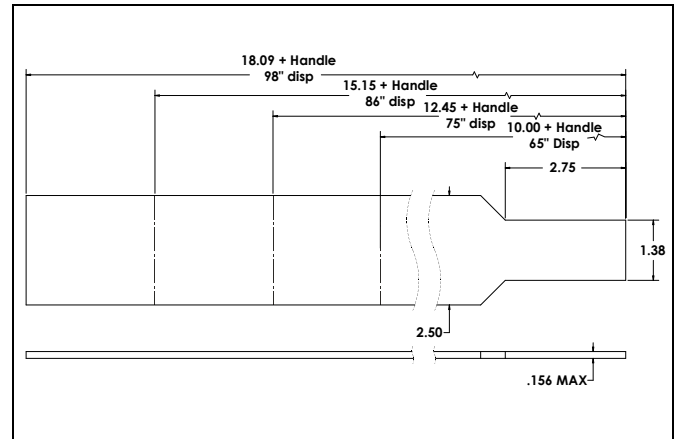


Figure 30

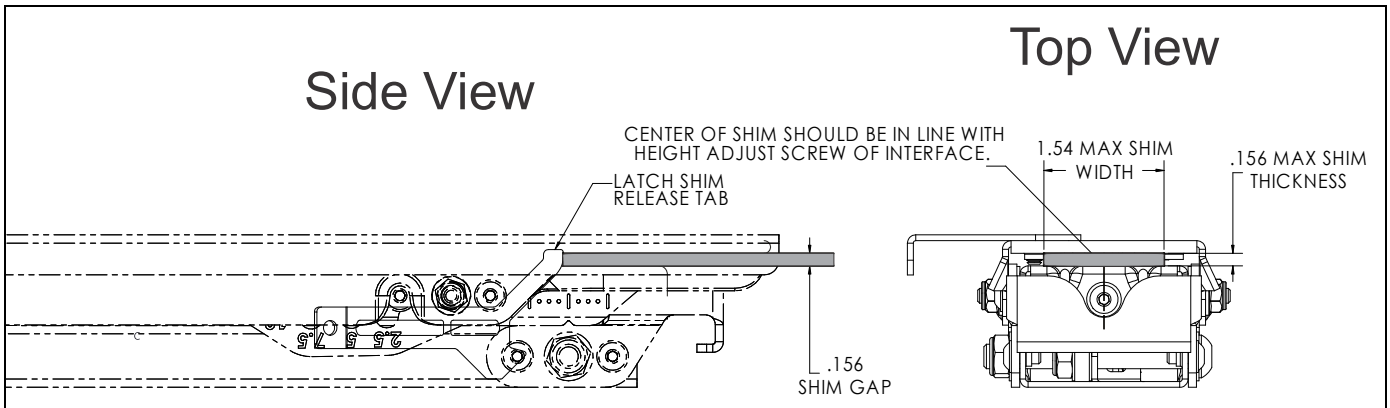


Figure 31

- Place created shim tool down top of each upright and gently push and pull on display while shimming until it releases. (See Figure 31) and (See Figure 32)

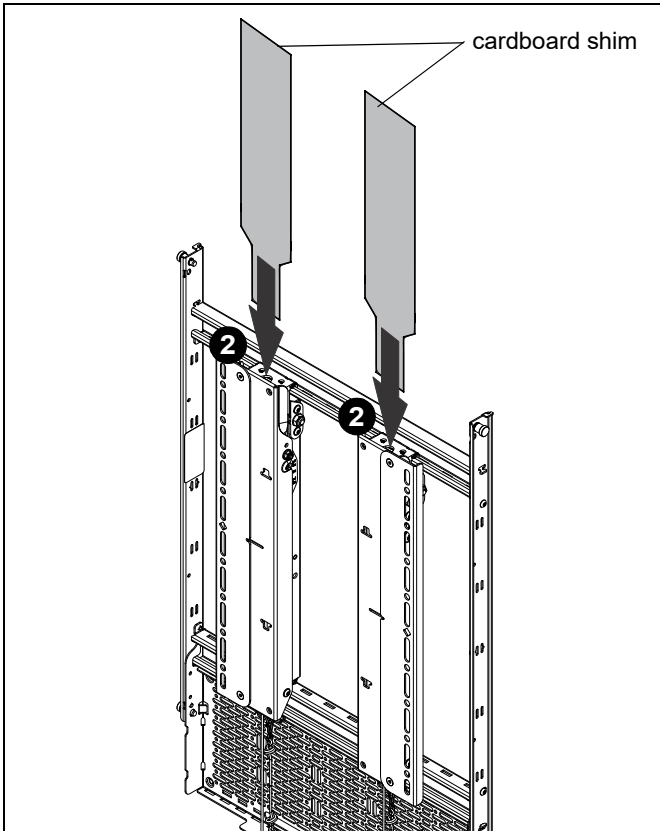


Figure 32

## SERVICE

### Extending and Retracting Mount

The mounts may be extended and retracted **only** for service or during installation.

- To Extend Mount:** Pull on the home latch release cords for both interface brackets (A and B). (See Figure 33)
- When the mount releases, carefully grasp bezel edges of display and pull out slowly.
- The nubs on the interface magnet holders may be inserted through holes to lock brackets in service position. (See Figure 33)



**WARNING:** To prevent damage to the mount or display, make sure the hold-out nubs have been removed before returning the extensions to the home position.

- To Retract Mount:** Carefully push against display bezel edges, being careful to clear surrounding displays.
- Push display against mount until both latches click into the locked home position.

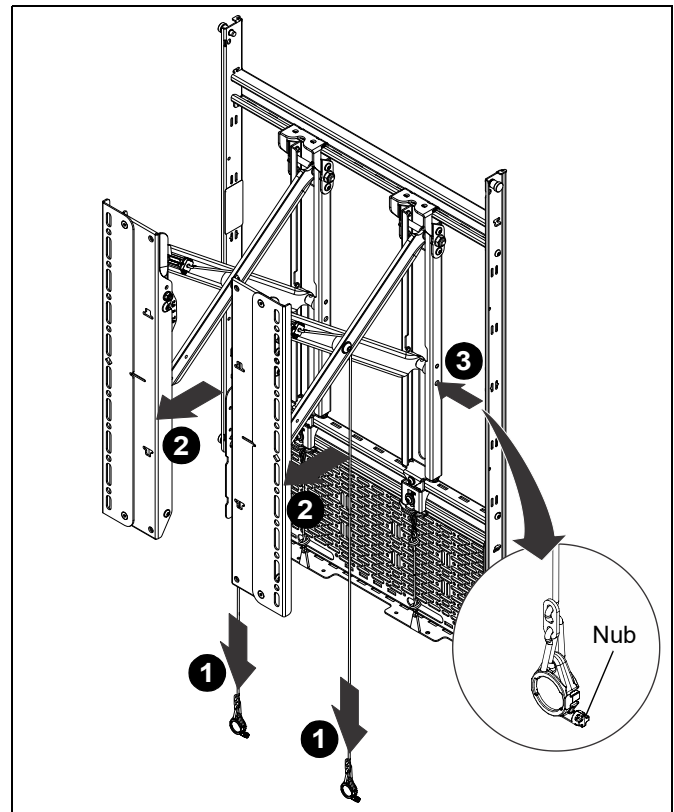
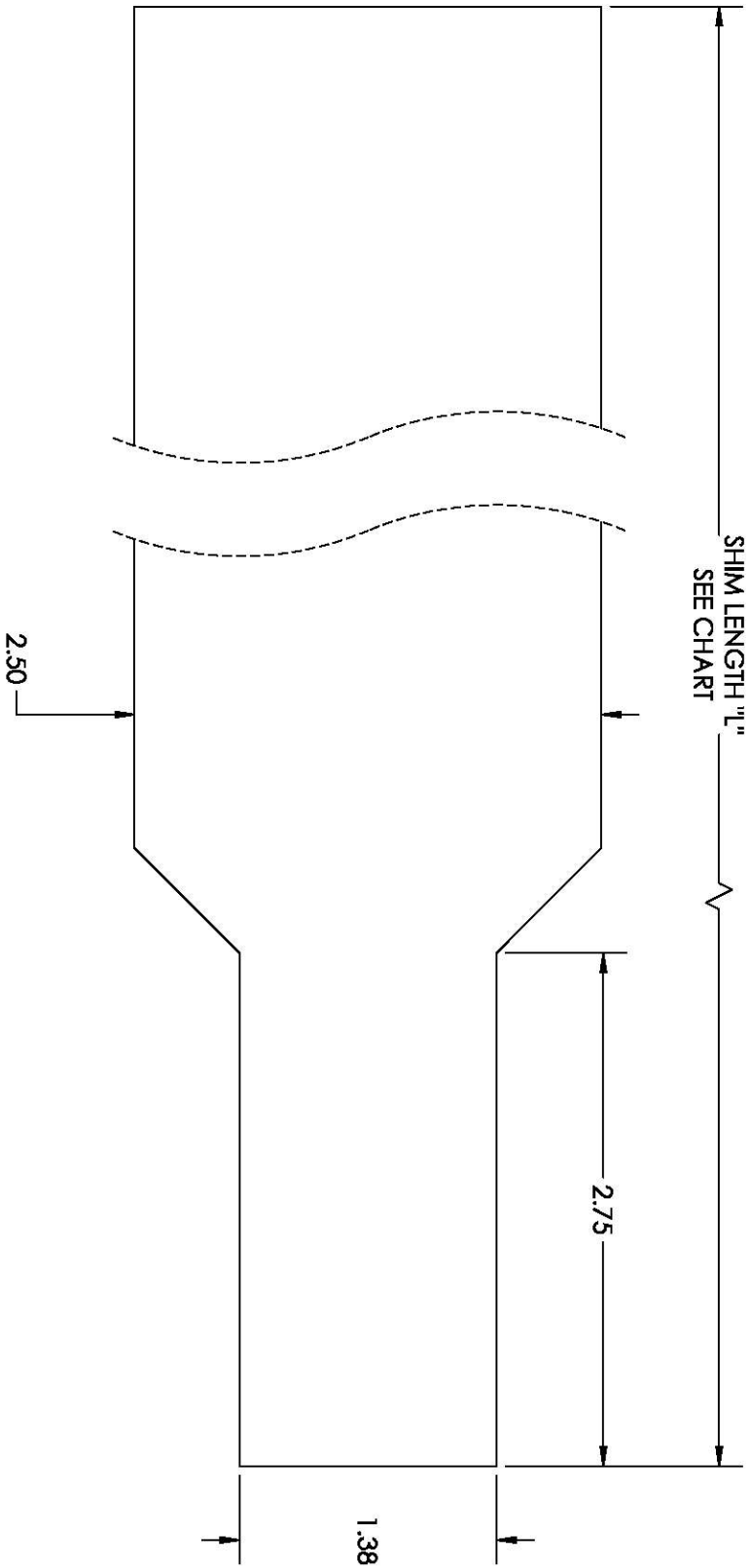


Figure 33

EST. BACKUP HOME LATCH RELEASE SHIM LENGTH "L" (TYPICAL)				
Display Diagonal:	65" Display	75" Display	86" Display	98" Display
LANDSCAPE - "L" MIN	16"	19"	21"	24"
PORTAIT "L" MIN	28"	33"	38"	43"



# CHIEF®

A brand of  **legrand**

8800-003469 Rev00  
©2026 Legrand | AV  
[www.legrandav.com](http://www.legrandav.com)  
05/2026

<b>USA/International</b>	<b>A</b> 10900 Red Circle Drive, Minnetonka, MN 55343 <b>P</b> 800.582.6480 / 952.225.6000 <b>F</b> 877.894.6918 / 952.894.6918
<b>Europe</b>	<b>A</b> Franklinstraat 14, 6003 DK Weert, Netherlands <b>P</b> +31 (0) 495 580 852 <b>F</b> +31 (0) 495 580 845
<b>Asia Pacific</b>	<b>A</b> Office No. 918 on 9/F, Shatin Galleria 18-24 Shan Mei Street Fotan, Shatin, Hong Kong <b>P</b> 852 2145 4099 <b>F</b> 852 2145 4477

