



## 18" Convert to Gel Log Set # 2610



**Instruction Manual**

### Parts List

Number	Description	Part Number	Quantity
1	Left Log	2610-R A	1
2	Middle Log	2610-R B	1
3	Right Log	2610-R D	1
4	Front Log	2610-R E	1
5	Rear Log	2610-R F	1
6	Grate	2610-R G	1
7	Lift Assembly	2610-R H	1
8	Lava Rock	4090	1 bag
9	1" Phillips Head Bolt	9742	10

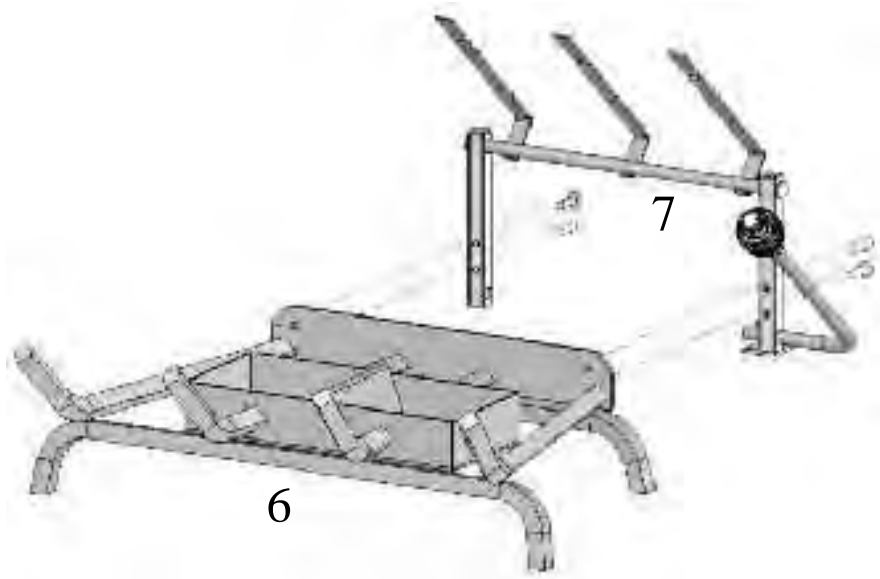
Before starting assembly, review parts list making sure you have all the pieces in good condition. If there are any damaged or missing parts please call customer service at 1-800-654-1704.

Before using fireplace read and understand all instructions and safety precautions included with this product.

## Step One

**Figure 1**

With Grate (6) set on flat surface locate Lift Assembly (7). Using the four holes on the back of the Grate and 1" bolts, attach the Lift Assembly with handle as shown in **figure 1**.



**Figure 1**

## Step Two

Figure 2

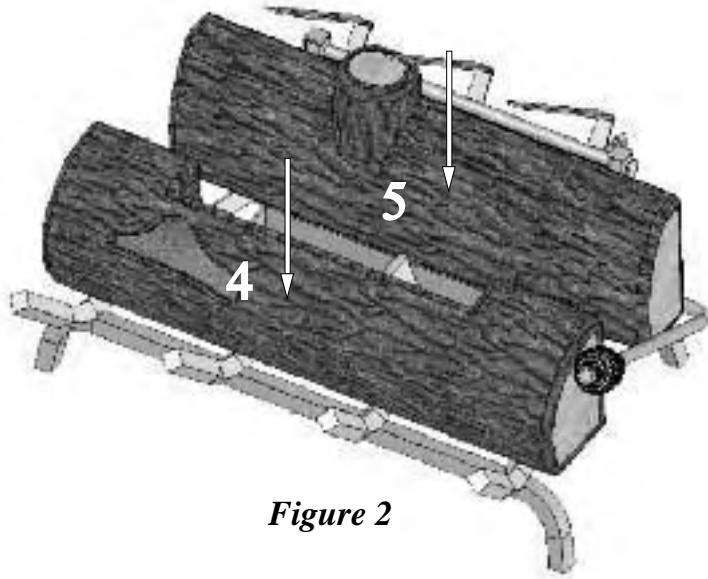


Figure 2

Raise handle on lift assembly to the open position.

Place Front Log (4) and Rear Log (5) as shown in **figure 2**

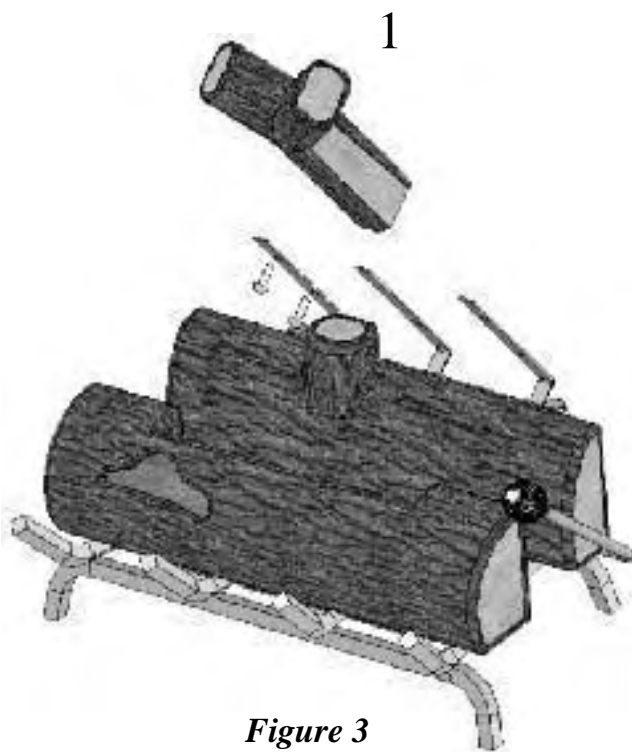


Figure 3

## Step Three

Figure 3

Locate the Left Log (1) with the "V" end of the log facing towards the front. Attach log to metal brace with two 1" bolts.

**NOTE:** Use caution not to over tighten bolts.

## Step Four

Figure 4



Figure 4

Repeat step three with the remain two logs. Use *figure 4* as reference for placing the logs.

After all logs have been fastened to Lift Assembly slowly lower lift arm. If the top three logs don't rest on Front Log (4) you may need to adjust the position of the Rear Log (5) left or right.

Place assembled unit in your existing fireplace. Add decorative lava rock around the base of your fireplace.

## Step Five

Figure 5

### Using your Convert to Gel Log Set

With assembled unit in fireplace, raise lift assembly. Place two cans of REAL FLAME gel fuel in fuel tray located in the middle of the grate. With an extended lighter or long match light gel fuel. Carefully lower lift handle.

During the initial burn you may experience a slight odor. This odor is temporary and will be absent on following burns.

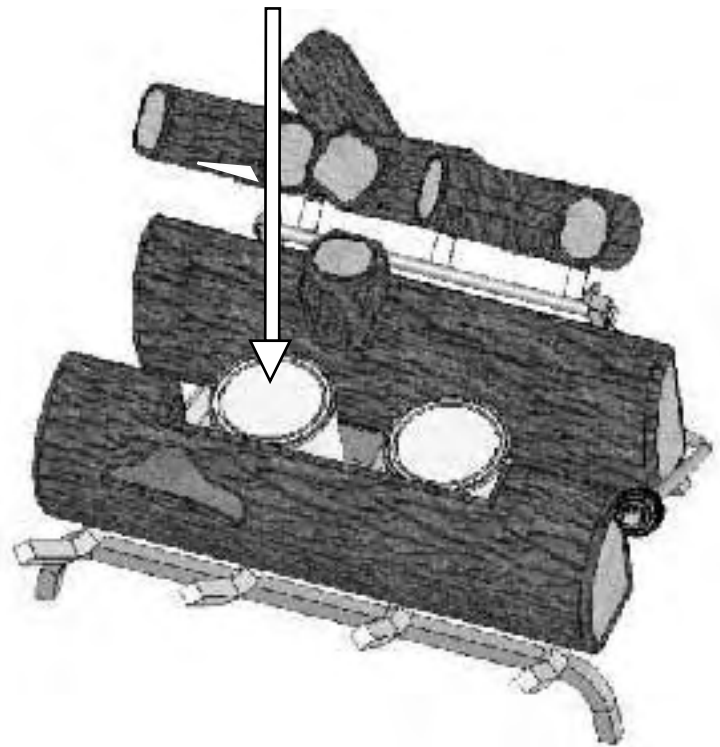


Figure 5