

Installation  
Operation  
and  
Maintenance  
Instructions

Clear Ice Models

**30iMT (Marvel)**

**30iMAT (Marvel)**

**30iMT (Outdoor)**

**MPRO30iMT (Professional)**



# CONTENTS

---

Important Safety Instructions.....	3
Warranty Registration .....	3
Installing your ice machine.....	4
Selecting the location.....	4
Outdoor Installation .....	4
Cabinet Clearances .....	4
Leveling legs .....	4
Electrical Connection .....	5
Installing the drain plumbing .....	5
Drain pump .....	6
Connecting the water supply.....	8
Dimensions for 30iMT solid door.....	9
Recommended Rough in Opening Dimensions for 30iMT solid door.....	9
Dimensions for 30iMT and MPRO30iMT solid door.....	10
Recommended Rough in Opening Dimensions for 30iMT and MPRO30iMT solid door.....	10
Dimensions for 30iMT solid overlay door.....	11
Recommended Rough in Opening Dimensions for 30iMT solid overlay door.....	11
Dimensions for 30iMAT solid door.....	12
Recommended Rough in Opening Dimensions for 30iMAT solid door.....	12
Dimensions for 30iMAT solid overlay door.....	13
Recommended Rough in Opening Dimensions for 30iMAT solid overlay door.....	13
Full Overlay Panel Installation Instructions.....	14
Operation, Care, and Cleaning.....	16
Operation (Turning on the ice machine).....	16
The Ice Making Process .....	16
Ice Production .....	17
New Sounds .....	17
Care of the Ice machine.....	17
Cleaning the Ice Machine.....	17
Energy Saving Tips .....	19
Filler panel kit installation instructions (optional).....	20
Troubleshooting Guide.....	21
Preparing the ice machine for storage.....	23
Drain pump removal instructions .....	24
Obtaining Service .....	26
Household Product Warranty.....	27



**AGA MARVEL** is committed to building a quality product in an environmentally friendly manner. Our processes are tightly controlled and closely monitored. We have achieved certifications in ISO 9001 for quality assurance, ISO 14001 for environmental management, and OHSAS 18001 for occupational health and safety from Lloyd's Register Quality Assurance.

# IMPORTANT SAFETY INSTRUCTIONS

## Important Safety Instructions

Warnings and safety instructions appearing in this guide are not meant to cover all possible conditions and situations that may occur. Common sense, caution, and care must be exercised when installing, maintaining, or operating this appliance.

### Recognize Safety Symbols, Words, and Labels.

#### **WARNING**

**WARNING**-Hazards or unsafe practices with high probability of personal injury or property / product damage.

#### **CAUTION**

**CAUTION**-Hazards or unsafe practices which could result in personal injury or property or product damage.

#### **NOTE**

**NOTE**-Important information to help assure a problem free installation and operation.

## Remove Interior Packaging

Your ice machine has been packed for shipment with all parts that could be damaged by movement securely fastened. Remove internal packing materials and any tape holding internal components in place. The owners manual is shipped inside the product in a plastic bag along with the warranty registration card, and other accessory items.

## Important

Keep your carton and packaging until your ice machine has been thoroughly inspected and found to be in good condition. If there is damage, the packaging will be needed as proof of damage in transit. Afterwards please dispose of all items responsibly in particular the plastic bags which can be a suffocation hazard.

## Note to Customer

This merchandise was carefully packed and thoroughly inspected before leaving our plant. Responsibility for its safe delivery was assumed by the retailer upon acceptance of the shipment. Claims for loss or damage sustained in transit must be made to the retailer.

DO NOT RETURN DAMAGED MERCHANDISE TO THE MANUFACTURER - FILE THE CLAIM WITH THE RETAILER.

#### **CAUTION**

If the ice machine was shipped or has been laying on its back for any period of time allow the ice machine to sit upright for a period of at least 24 hours before plugging in. This will assure oil returns to the compressor. Plugging the ice machine in immediately may cause damage to internal parts.

## Warranty Registration

It is important you send in your warranty registration card immediately after taking delivery of your ice machine.

The following information will be required when registering your ice machine.

- Service Number
- Serial Number
- Date of Purchase
- Dealer's name and address

The service number and serial number can be found on the serial plate which is located inside the ice machine on the left side of the liner. See Figure 1.


<b>AGA MARVEL</b>		R134A <input type="checkbox"/> oz
MODEL NO.	<input type="text"/>	
SERVICE NO.	<input type="text" value="XXXXXXXX"/>	REV. <input checked="" type="checkbox"/>
SERIAL NO.	<input type="text" value="XXXXXXXXXXXXXXXX"/>	
	HZ <input type="text"/>	VOLTS <input type="text"/>
		AMPS <input type="text"/>
	TEST PRESSURE 140 PSI LOW SIDE 300 PSI HIGH SIDE	

Figure 1

#### **CAUTION**

## Help Prevent Tragedies

Child entrapment and suffocation are not problems of the past. Junked or abandoned refrigerators are still dangerous. Even if they sit out for "just a few days".

If you are getting rid of your old refrigerator, please follow the instructions below to help prevent accidents.

Before you throw away your old refrigerator or freezer:

- Take off the doors or remove the drawers.
- Leave the shelves in place so children may not easily climb inside.

# INSTALLING YOUR ICE MACHINE

## Select Location

The proper location will ensure peak performance of your appliance. We recommend a location where the ice machine will be out of direct sunlight and away from heat sources. To assure your product performs to specifications the recommended installation location temperature range is from 55 to 80°F (13 to 27°C) for built in ice machines, 55 to 90°F (13 to 32°C) for free-standing ice machines. Ice machine will not perform correctly in ambient temperatures less than 55°F (13°C).

## CAUTION

### Outdoor Installation

Only the 30iMT model is suitable for outdoor installations.

Building codes may require a ground fault circuit interrupter electrical receptacle to supply electrical power to the ice machine for outdoor applications, (see "Electrical Connection" section).

Do not install in a location where the ice machine will be exposed to direct sun exposure as this may result in unsatisfactory performance.

### Winterizing Your Outdoor Ice Machine

For instructions on winterizing your ice machine see page 23, "Preparing the Ice Machine for Storage".

### Cabinet Clearance

Ventilation is required from the bottom front section of the ice machine. Keep this area open and clear of any obstructions. Adjacent cabinets and counter top can be installed around the ice machine as long as the front grille remains unobstructed.

## CAUTION

### Front Grille

Do not obstruct the front grille. The openings within the front grille allow air to flow through the condenser heat exchanger. Restrictions to this air flow will result in increased energy usage and loss of cooling capacity. For this reason it is important this area to not be obstructed and the grille openings kept clean. AGA MARVEL does not recommend the use of a custom made grille as air flow may be restricted because of inadequate openings. (See Figure 2).

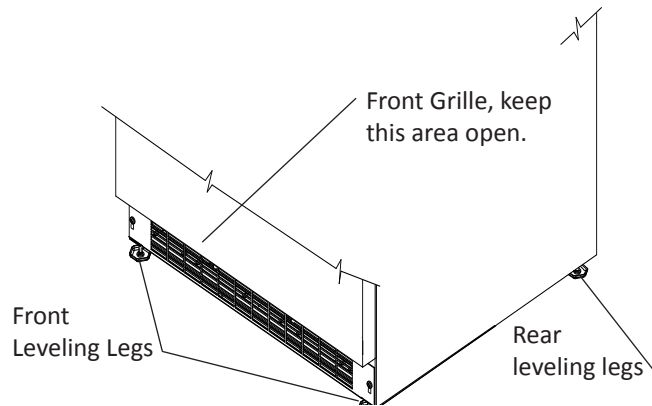


Figure 2

### Leveling Legs

Adjustable legs at the front and rear corners of the ice machine should be set so the ice machine is firmly positioned on the floor and level from side to side and front to back. The overall height of your Marvel ice machine may be adjusted from 33¾" (85.7cm) with the leveling legs turned in, and up to 34¾" (88.3cm) with the leveling legs extended.

To adjust the leveling legs, place the ice machine on a solid surface and protect the floor beneath the legs to avoid scratching the floor. With the assistance of another person, lean the ice machine back to access the front leveling legs. Raise or lower the legs to the required dimension by turning the legs. Repeat this process for the rear by tilting the ice machine forward using caution to prevent the door from opening. On a level surface check the ice machine for levelness and adjust accordingly.

The front grille screws may be loosened and the front grille adjusted to the desired height. When adjustment is complete tighten the two front grille screws. (See Figure 3).

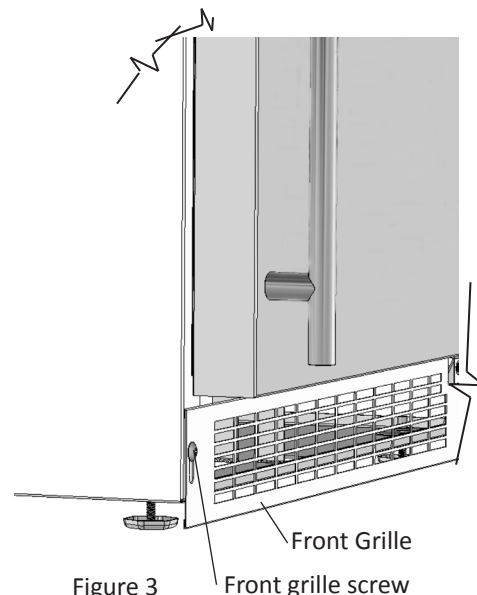


Figure 3

## INSTALLING THE DRAIN PLUMBING

### **⚠ WARNING**

- Do not splash or spray water from a hose on the ice machine. Doing so may cause an electrical shock, which may result in severe injury or death.
- This ice machine should not, under any circumstances, be installed to an un-grounded electrical supply.

### Electrical Connection

A grounded 115 volt, 15 amp dedicated circuit is required.

This product is factory equipped with a power supply cord that has a three-pronged, grounded plug. It must be plugged into a mating grounding type receptacle in accordance with the National Electrical Code and applicable local codes and ordinances (see Figure 4). If the circuit does not have a grounding type receptacle, it is the responsibility and obligation of the customer to provide the proper power supply. The third ground prong should not, under any circumstances, be cut or removed.

### **⚠ CAUTION**

Electrical Extension cords should not be used. They can be hazardous and cause deficient operation. The wall receptacle should be located near the ice machine and be a polarized type with adequate ground protection. The ice machine must be installed to your local building codes and ordinances.

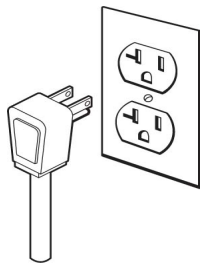


Figure 4

### **NOTE**

Ground Fault Circuit Interrupters (GFCI) are prone to nuisance tripping which will cause the ice machine to shut down. GFCI's are generally not used on circuits, with powered equipment, that must run unattended for long periods of time, unless required to meet local building codes and ordinances.

### **⚠ WARNING**

Risk of electrical shock or personal injury could occur due to moving components, if machine compartment access cover is removed before unplugging the ice machine.

### Drain Plumbing

Your ice machine requires drain plumbing. There are 2 variations of ice machines in regards to the installation of the drain plumbing, without a drain pump (gravity drain), and with a drain pump.

#### Gravity Drain, no drain pump.

Your ice machine requires a gravity drain (Figure 5) that requires  $\frac{3}{4}$  inch outside diameter (O.D.) tubing from the back of the ice machine to a plumbed connection to a sanitary sewer. The gravity drain location for built-in ice machines can be within the shaded area shown in Figure 7.

#### With a factory installed drain pump.

Your ice machine has a factory installed drain pump. The discharge tubing is coiled up and attached to the back of the ice machine. The  $\frac{3}{8}$  inch I.D. tubing needs to be plumbed and connected to a sanitary sewer. Refer to Figure 6. The maximum lift of the drain pump is 8 feet (2.44 meters) through the  $\frac{3}{8}$  inch I.D. tubing.

#### Conversion of factory installed system to a gravity drain system

Service kit 42248304 will be required if the ice machine is converted to a gravity drain. Removal of the drain pump without service kit 42248304 will prevent the ice machine from continued ice production.

#### Optional Drain Pump.

An optional drain pump (Figure 6) is available if you have purchased an ice machine without one and do not have access to a gravity drain. Installation instructions are provided with the optional drain pump. Contact Marvel customer service for ordering. **Observe and follow all local codes when installing ice machine.**

### **⚠ CAUTION**

This drain pump is designed to be installed in Marvel ice machines only.

### **⚠ CAUTION**

Failure to use an adequate drainage system, will result in surrounding water damage and/or poor ice production.

# DRAIN PUMP

The **Marvel Drain Pump** is designed to remove drain water from ice machines installed in areas without direct drainage access. The sealed reservoir pump collects the melted ice water and pumps it to a maximum lift of eight (8) feet (2.44 meters) through  $\frac{3}{8}$ " I.D. vinyl tubing to a drain.

## ⚠ CAUTION

This pump has been evaluated for use with water only.

NOTE: Reasonable care and safe methods should be practiced. Do NOT work with energized electrical equipment in a wet area. Read and follow the installation instructions listed in this manual.

## ⚠ WARNING

Risk of electric shock - This pump is supplied with a grounding conductor and grounding-type attachment plug. To reduce the risk of electric shock, be certain that it is connected only to properly grounded, grounding-type receptacle.

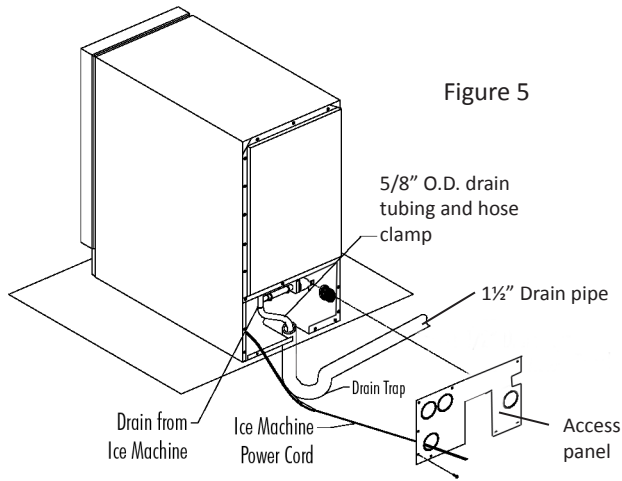


Figure 5

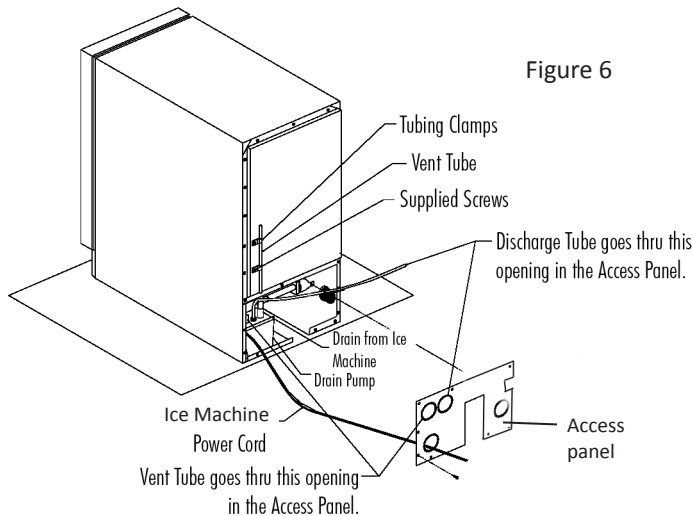
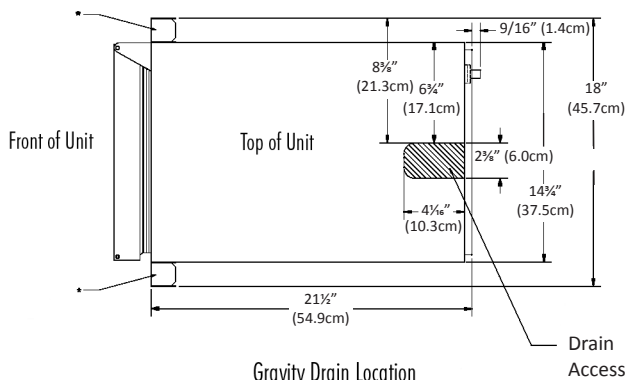


Figure 6

## Maintenance

The following items require review on a regular basis.

1. Check that the vent line is open, free of kinks/sharp bends, so that air flows freely from the pump reservoir.
2. Check that the discharge tubing is free of foreign material (algae, etc.) and kinks/bends. Confirm that the check valve is operational by observing that the water flow is evident in one (1) direction only - out of the pump. Remove and clean as required.



Gravity Drain Location  
\* With Optional Filler Kit

Figure 7

# DRAIN PUMP

---

## Troubleshooting the Drain Pump

### NOTE

If the **drain pump reservoir** (not the ice machine bin) reaches overflow condition, the power to the ice machine will be shut off.

If the ice machine is not working, check the following:

- Make sure there is power at the receptacle.
- Make sure the ice machine is turned on.
- Make sure the ice bin is not full.

Then check the drain pump:

The pump does not run:

- Make sure the pump is plugged in and there is power to the receptacle.
- Check the inlet to the drain pump for debris and clean as needed. Remove clamps and inlet tube from drain pump to check for and remove debris.
- Make certain the vent line is free of kinks/sharp bends or restrictions.
- Make certain there is enough water to activate the drain pump. It will take at least one (1) quart (.95 liters) of water to activate the drain pump.

The pump runs, but no water is pumped out:

- Check that the vent is clear and free of restrictions.
- Check the discharge line to make certain there are no restrictions.
- Make sure that the discharge tubing has not exceeded the maximum lift of eight (8) feet (2.44 meters) and the horizontal run is not greater than twenty (20) feet (6.1 meters).

The pump runs and then quickly turns off repeatedly:

- Check to make certain the drain pump is level.
- Check that the vent is clear and free of restrictions.

The ice machine is running but not producing ice:

- Check to make sure water is not backing up in the ice bin.

## CONNECTING THE WATER SUPPLY

### Water Supply

The ice machine must be connected to a potable, active cold water supply line delivering water pressure at a minimum of 20 psi and a maximum of 120 psi.

- Water connection is made through a right angle garden hose fitting supplied with the ice machine. See Figure 9 for detailed instructions. **DO NOT USE ANY THREAD SEALERS.**
- A water filter can be used with this ice machine. A quality filter can help remove particles as well as remove taste and odors from water.
- **DO NOT USE A "REVERSE OSMOSIS" FILTERING DEVICE.**
- Softened water is not recommended. This will produce soft, cloudy ice cubes that will stick together.
- De-ionized water is not recommended. This water will not form solid ice cubes.
- A water specialist can recommend proper water treatment.
- When installing a water line for this ice machine a shutoff valve is recommended. **NOTE: DO NOT USE A SELF-PIERCING TYPE VALVE.**
- After installation of water line, turn on water and check for any leaks. Additional tightening may be needed.
- Allow for extra water line for built-in installations for easy removal of ice machine and to help prevent the water line from kinking.

The ice machine is designed to make clear ice from the majority of water sources on a daily basis. If your results are unsatisfactory, your water may need to be filtered or treated.

Secure the water supply line to the back of the cabinet with the screw and clamp provided in the corner of the back panel. (See Figure 8).

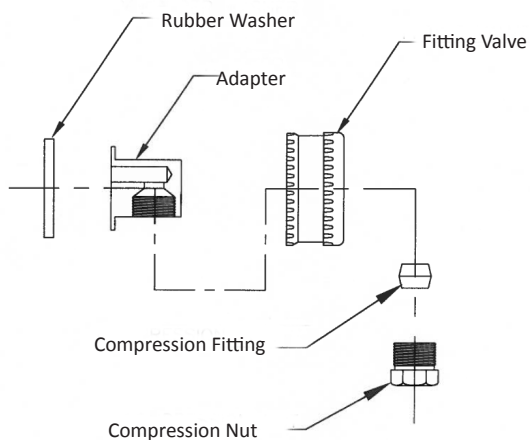


Figure 9

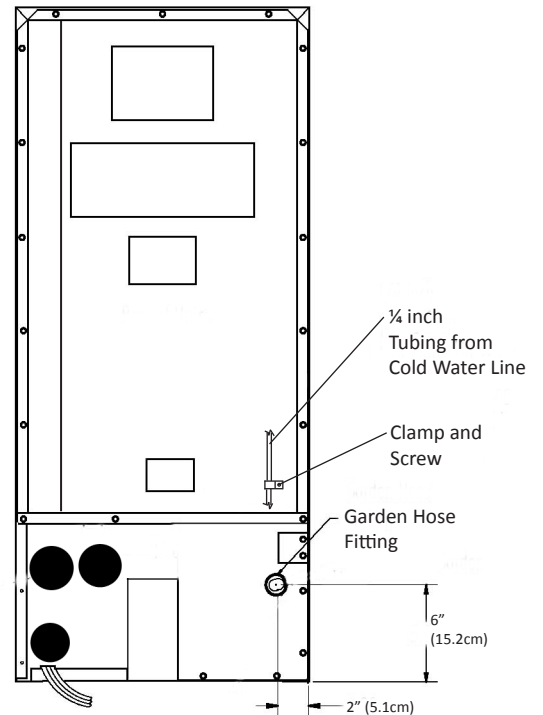
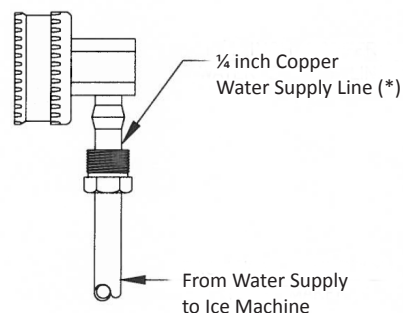


Figure 8

### NOTE

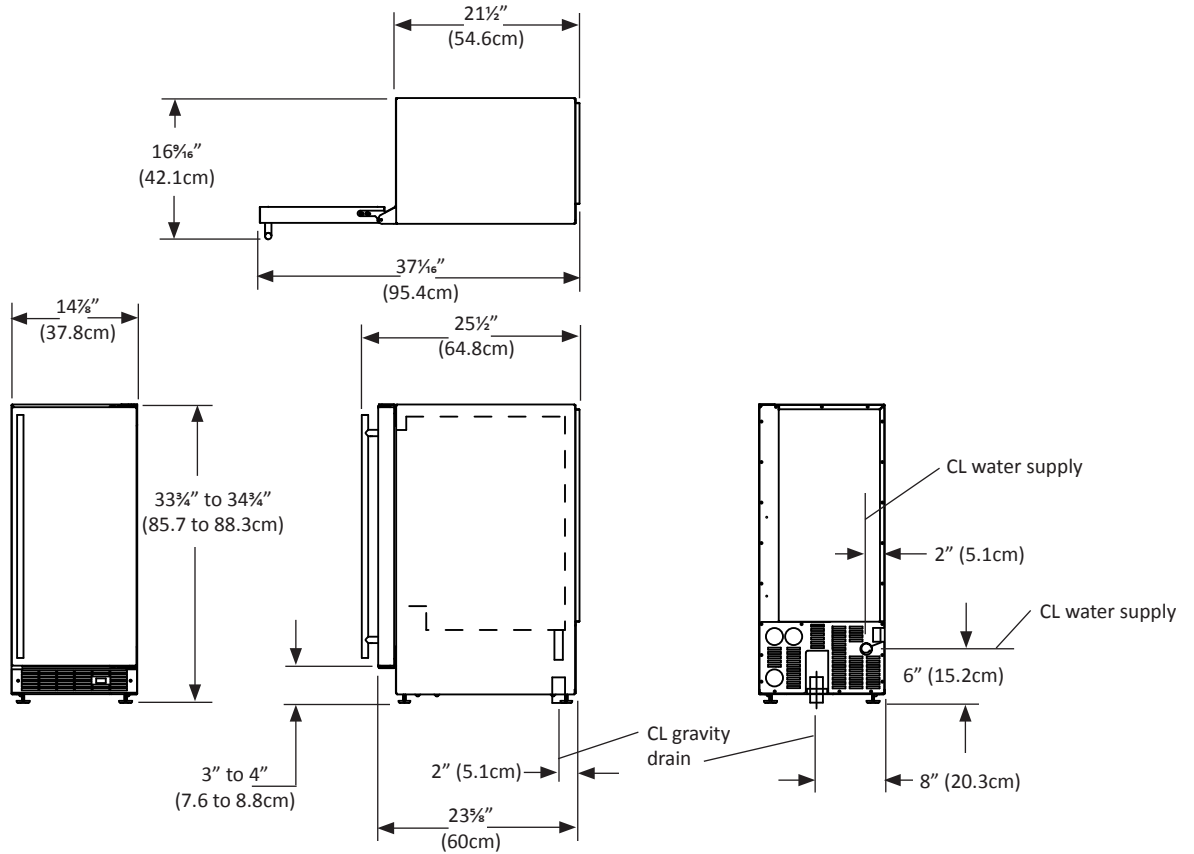
The water line fitting supplied with your ice machine is to be used on a 1/4 inch copper water supply line only. Do not attach a plastic supply line using this fitting.



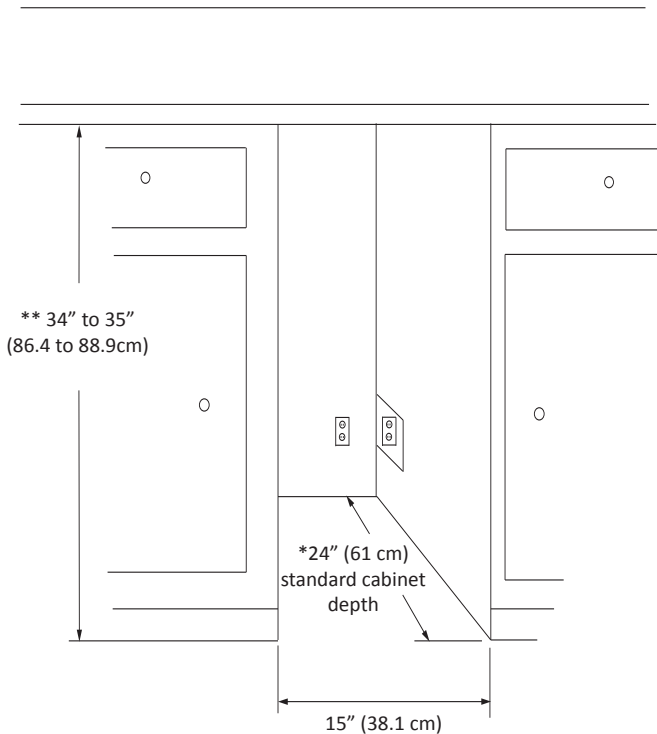
(\* ) Supplied by Customer



## DIMENSIONS FOR 30IMT SOLID DOOR



## ROUGH IN OPENING DIMENSIONS, FOR 30IMT SOLID DOOR



### ⚠ CAUTION

Electrical Requirements: A grounded 115 volt, 15 amp dedicated circuit is required. A GFCI receptacle may be required for outdoor models.

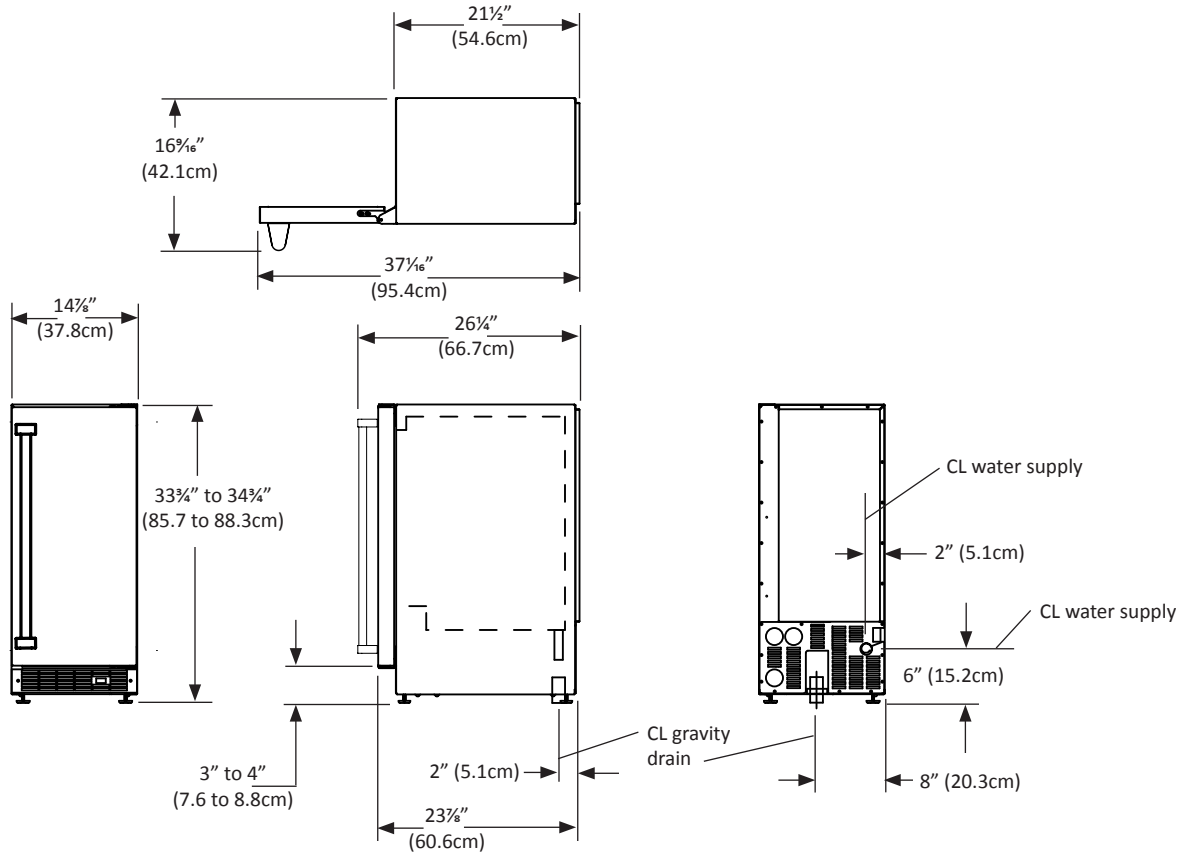
Power outlet can be located in the back wall behind the ice machine. Add 1" to depth for thickness of plug, or recess outlet 1" into the wall. Power outlet can also be installed in adjacent cabinetry with a cutout for routing of power cord. Follow all local building codes when installing electrical and the ice machine.

Product weight = 100 lbs. (45.5 kg.)

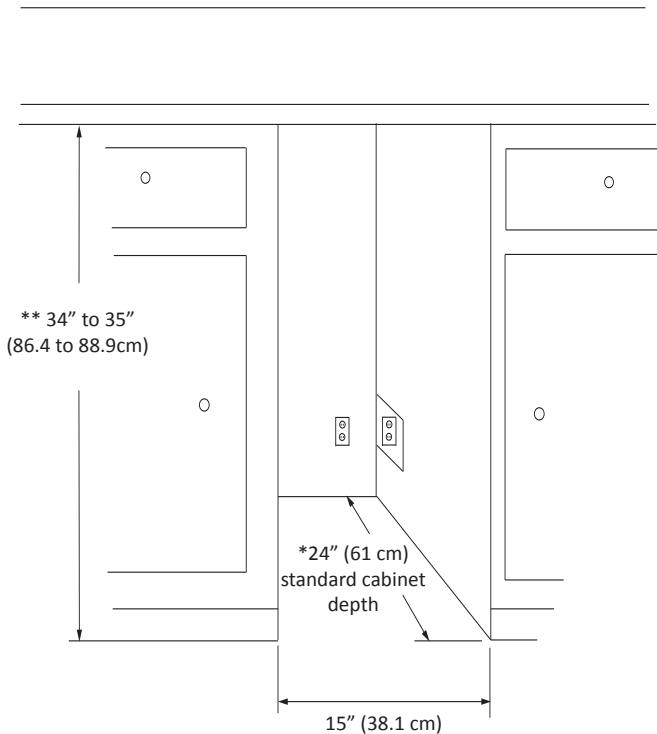
\* Depth dimension may vary depending on each individual installation.

\*\* Minimum rough in opening required is to be larger than the adjusted height of the cabinet.

## DIMENSIONS FOR 30IMT AND MPRO30IMT SOLID DOOR



## ROUGH IN OPENING DIMENSIONS, FOR 30IMT AND MPRO30IMT SOLID DOOR



### ⚠ CAUTION

Electrical Requirements: A grounded 115 volt, 15 amp dedicated circuit is required. A GFCI receptacle may be required for outdoor models.

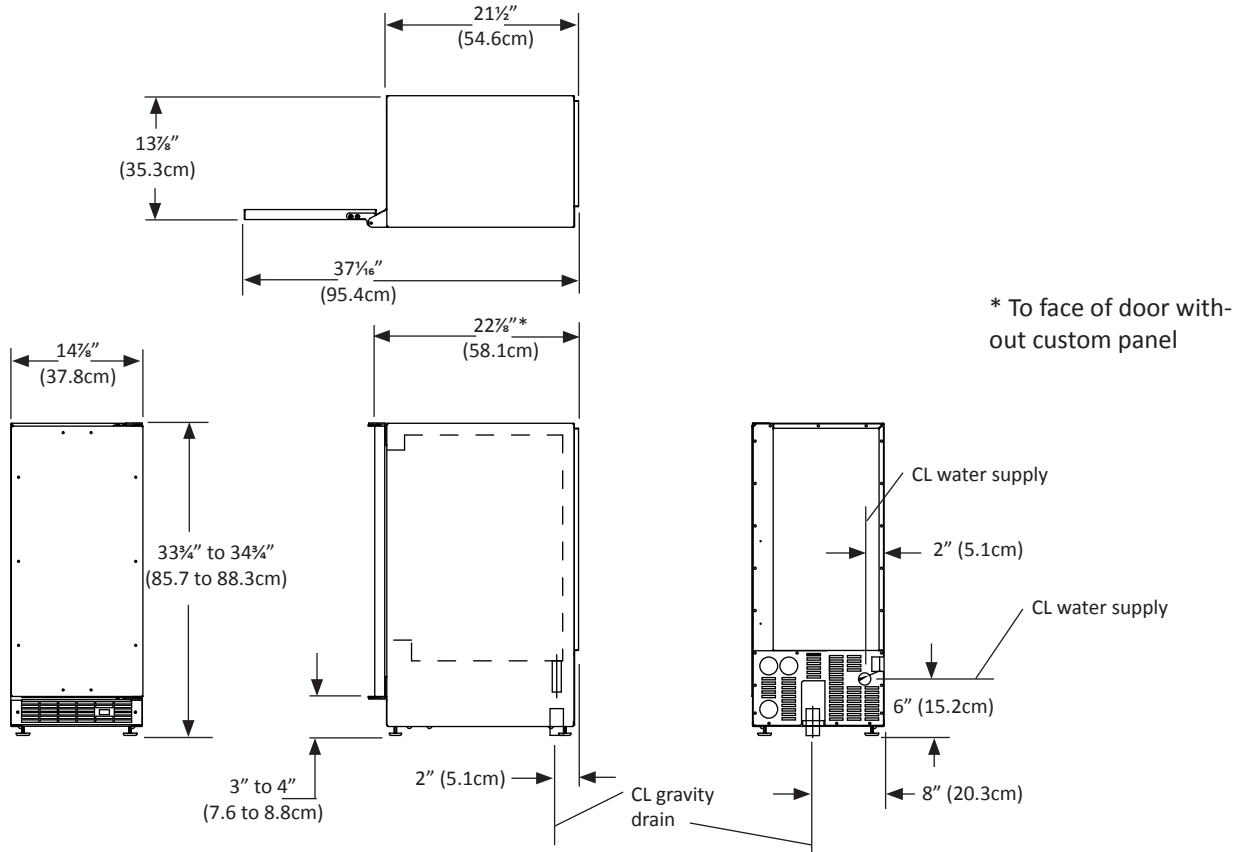
Power outlet can be located in the back wall behind the ice machine. Add 1" to depth for thickness of plug, or recess outlet 1" into the wall. Power outlet can also be installed in adjacent cabinetry with a cutout for routing of power cord. Follow all local building codes when installing electrical and the ice machine.

Product weight = 100 lbs. (45.5 kg.)

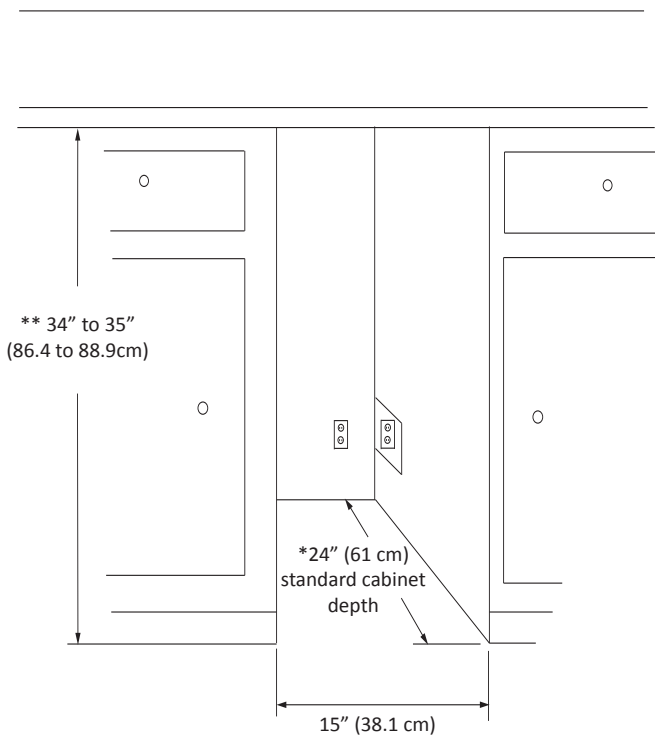
\* Depth dimension may vary depending on each individual installation.

\*\* Minimum rough in opening required is to be larger than the adjusted height of the cabinet.

## DIMENSIONS FOR 30IMT SOLID OVERLAY DOOR



## ROUGH IN OPENING DIMENSIONS, FOR 30IMT SOLID OVERLAY DOOR



### ⚠ CAUTION

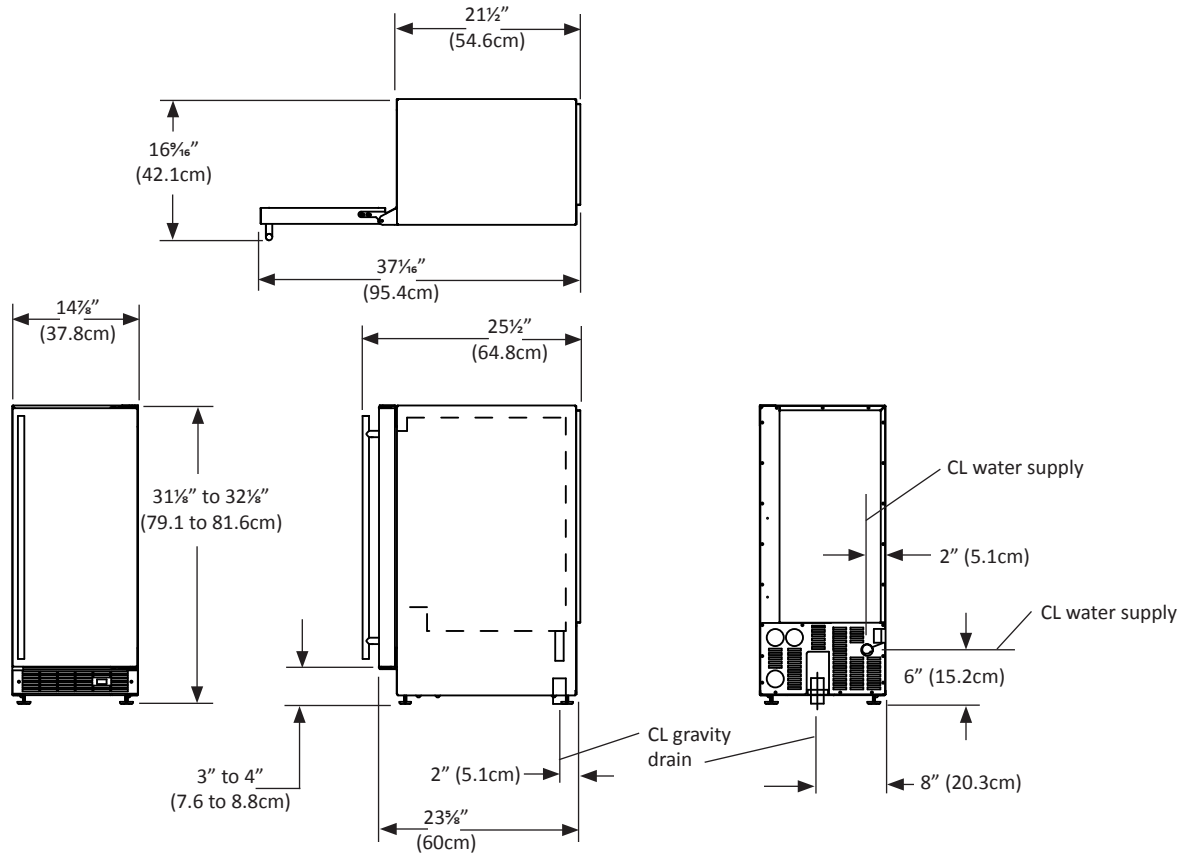
Electrical Requirements: A grounded 115 volt, 15 amp dedicated circuit is required.

Power outlet can be located in the back wall behind the ice machine. Add 1" to depth for thickness of plug, or recess outlet 1" into the wall. Power outlet can also be installed in adjacent cabinetry with a cutout for routing of power cord. Follow all local building codes when installing electrical and the ice machine. Product weight = 100 lbs. (45.5 kg.)

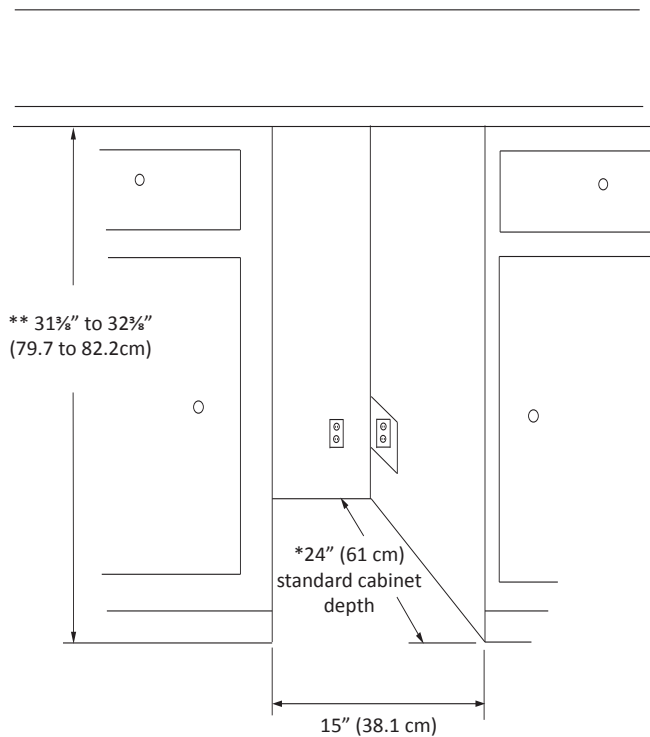
\* Depth dimension may vary depending on each individual installation.

\*\* Minimum rough in opening required is to be larger than the adjusted height of the cabinet.

## DIMENSIONS FOR 30IMAT SOLID DOOR



## ROUGH IN OPENING DIMENSIONS, FOR 30IMAT SOLID DOOR



### **⚠ CAUTION**

Electrical Requirements: A grounded 115 volt, 15 amp dedicated circuit is required.

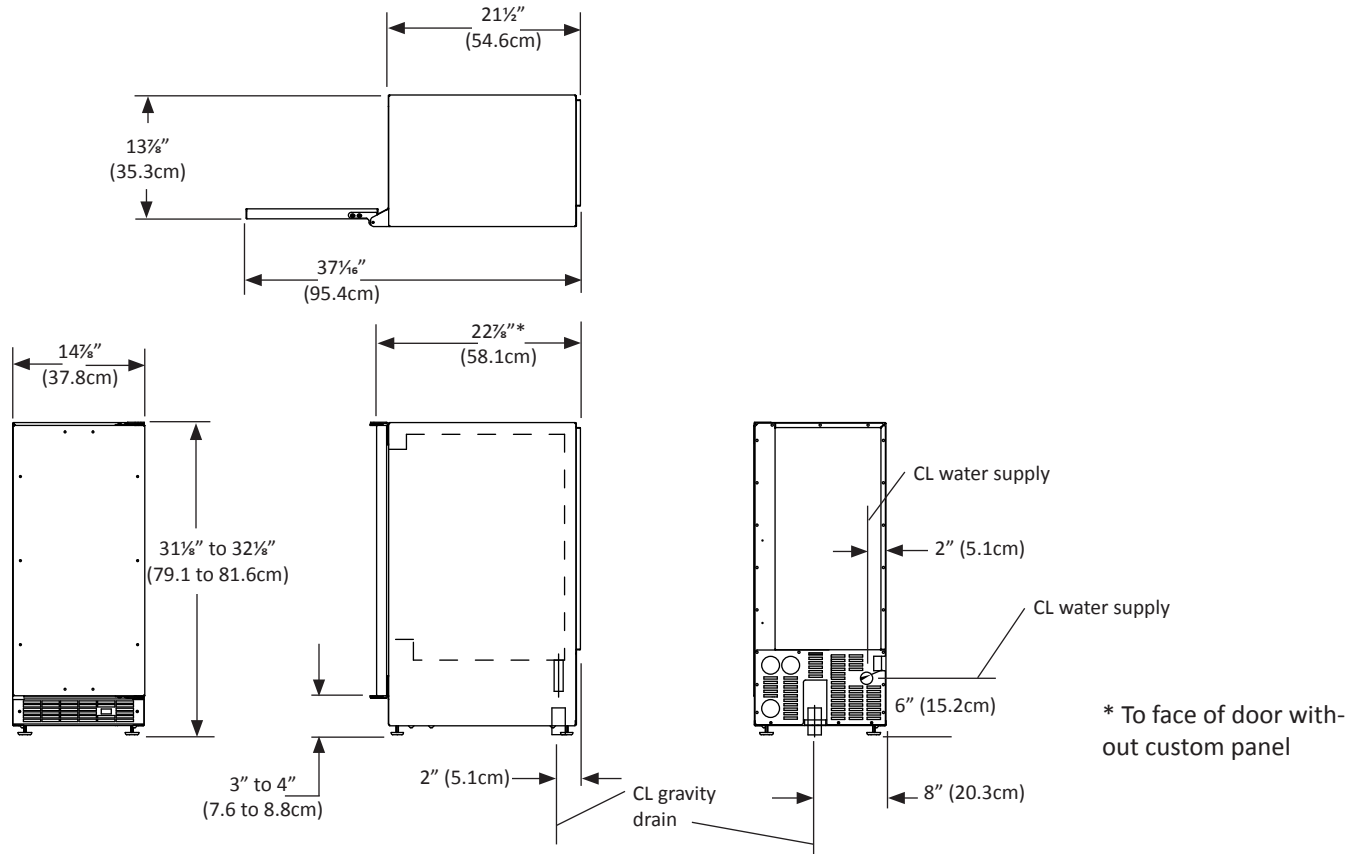
Power outlet can be located in the back wall behind the ice machine. Add 1" to depth for thickness of plug, or recess outlet 1" into the wall. Power outlet can also be installed in adjacent cabinetry with a cutout for routing of power cord. Follow all local building codes when installing electrical and the ice machine.

Product weight = 100 lbs. (45.5 kg.)

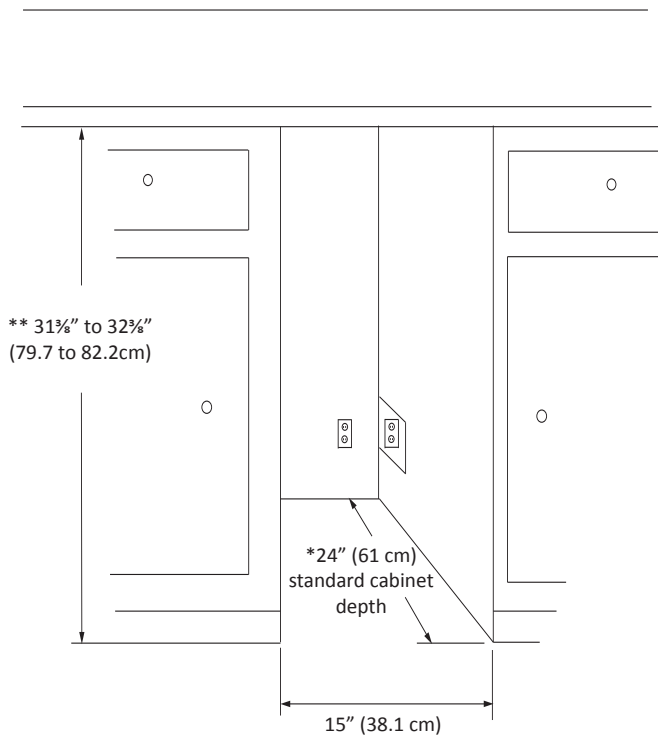
\* Depth dimension may vary depending on each individual installation.

\*\* Minimum rough in opening required is to be larger than the adjusted height of the cabinet.

## DIMENSIONS FOR 30IMAT SOLID OVERLAY DOOR



## ROUGH IN OPENING DIMENSIONS, FOR 30IMAT SOLID OVERLAY DOOR



### ⚠ CAUTION

Electrical Requirements: A grounded 115 volt, 15 amp dedicated circuit is required.

Power outlet can be located in the back wall behind the ice machine. Add 1" to depth for thickness of plug, or recess outlet 1" into the wall. Power outlet can also be installed in adjacent cabinetry with a cutout for routing of power cord. Follow all local building codes when installing electrical and the ice machine.

Product weight = 100 lbs. (45.5 kg.)

\* Depth dimension may vary depending on each individual installation.

\*\* Minimum rough in opening required is to be larger than the adjusted height of the cabinet.

# FULL OVERLAY PANEL INSTALLATION INSTRUCTIONS

## ⚠ CAUTION

### Step 1: Verify door alignment

Verify that the door is aligned correctly with the cabinet prior to fabricating the custom panel. Failure to do so may result in mis-alignment of the custom panel with the hinge bracket. The door should be parallel to the sides and top of the ice machine. If alignment is necessary the door may be adjusted by loosening the 2 screws which secure the top and/or bottom hinge adapter brackets, located on the top and bottom of the door and adjusting the door side to side. Use a  $\frac{1}{32}$ " allen wrench, for this procedure. (See Figure 10 below). When finished aligning the door, tighten the screws securely.

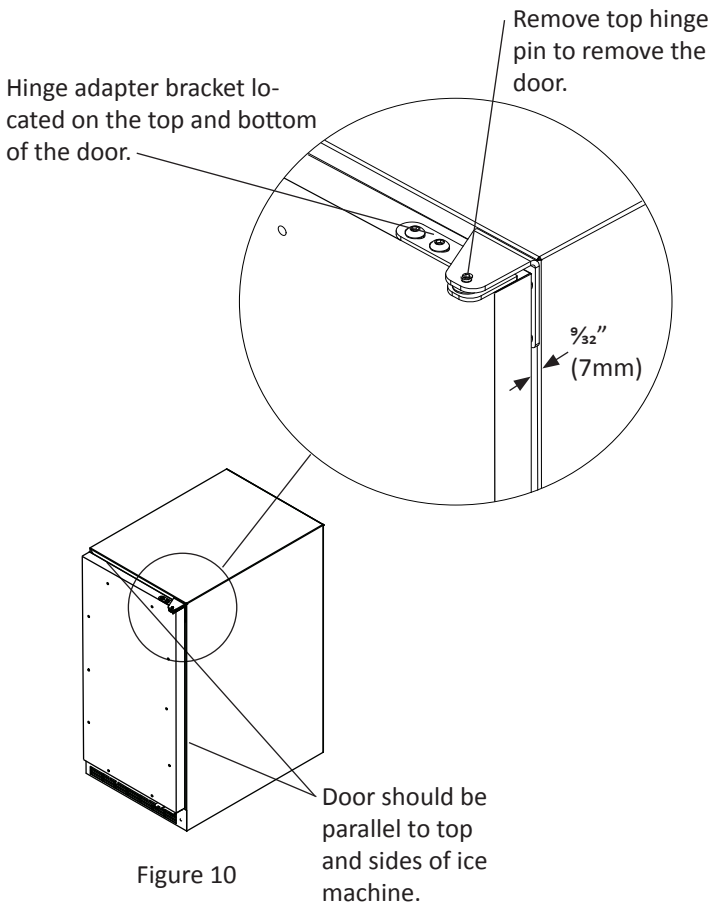


Figure 10

### Step 2: Remove door

Remove the top hinge pin from the hinge with an  $\frac{1}{8}$ " allen wrench. Remove the door by angling the top of the door outward and lifting the door off the bottom hinge. (See detail in Figure 10).

### Step 3: Remove gasket

Lay the door on its front being careful not to scratch it. To gain access to the screw mounting holes remove the door gasket by peeling up and out of the channel.

### Step 4: Cut overlay panel

Depending on the ice machine model cut the overlay panel to the dimensions shown in Figure 11 and Table A.

## NOTE

For overlay with lock option panel thickness to be  $\frac{3}{4}$ " (19mm) maximum to  $\frac{5}{8}$ " (16mm) minimum.

## ⚠ CAUTION

Weight of the overlay panel should not exceed 20 pounds (9.1 kilograms).

## NOTE

For the door to work properly it is necessary to maintain a minimum space of  $\frac{1}{32}$ " (7mm) between the door and cabinet flange as shown. This space can be adjusted by adjusting the top and bottom hinge adapters.

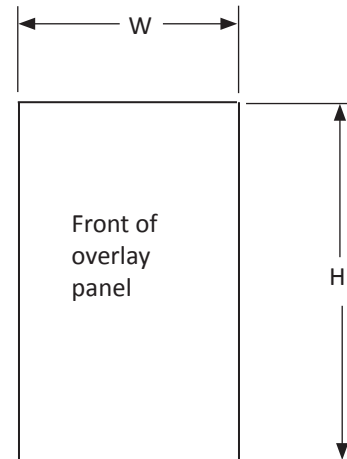


Figure 11

Model	W	H
30iMT	14 $\frac{1}{8}$ " (37.1cm)	30 $\frac{3}{16}$ " (77.0cm)
30iMAT	14 $\frac{1}{8}$ " (37.1cm)	27 $\frac{1}{16}$ " (70.3cm)

Table A

### Step 5: Drill hinge clearance holes in overlay panel

Set the overlay panel on the door front, align the edges, and clamp together. Clamp the panel firmly but be careful not to damage the door or the panel. Mark center of hinge adapter hole on wood panel, top and bottom. (See Figure 12.) Remove wood panel from door and drill  $\frac{5}{16}$ " (8mm) diameter clearance holes into the overlay panels  $\frac{3}{4}$ " (20mm) deep. These will be clearance holes for the top and bottom hinge pins.

This is also a convenient time to locate and drill the holes for your handle. Most often the handle is to match that of the surrounding cabinetry. If your handle attaches from the back-side of the custom panel, locate the mounting holes while the panel

# FULL OVERLAY PANEL INSTALLATION INSTRUCTIONS

is attached to the door and cabinet. After the panel is removed from the door, drill the mounting holes from the front, to the recommended diameter of the handle manufacturer. Counter bore the back-side of the panel so the screw heads do not interfere with the surface of the door.

Material Type	#8 Wood Screw
Hardwood	$\frac{1}{8}$ " (3.2mm) Diameter. Pilot Hole
Softwood	$\frac{7}{64}$ " (2.8mm) Diameter. Pilot Hole

Table B

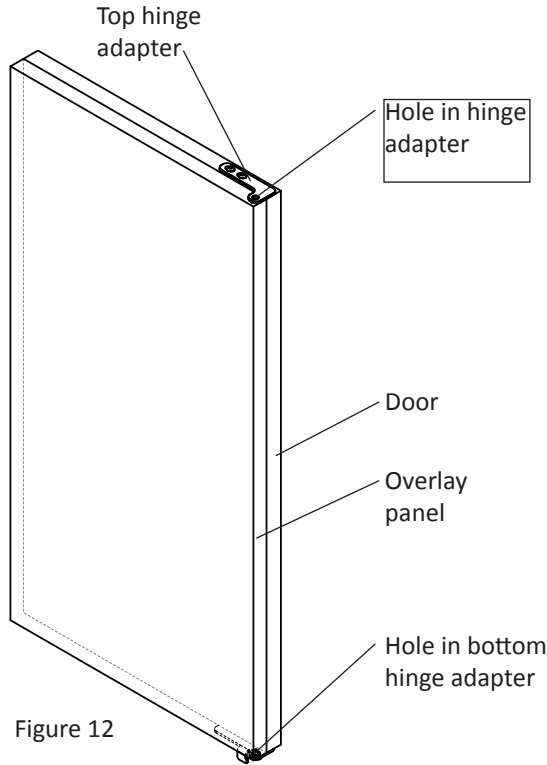


Figure 12

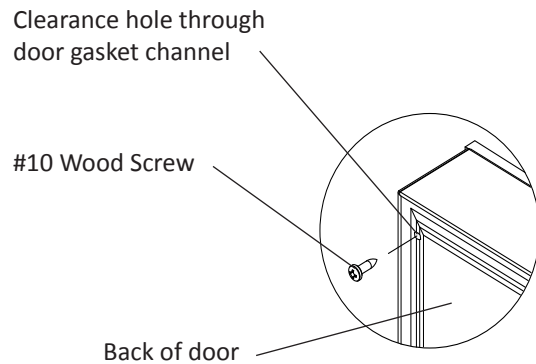


Figure 13

## Step 6: Drill panel mounting holes

Re-clamp the panel to the door per step 5 and drill the screw pilot holes for attaching the overlay panel to the door. Select the size of the hole from Table B. Be careful not to drill the pilot holes through the overlay panel, ( $\frac{1}{2}$ " (12.7mm) deep for  $\frac{3}{4}$ " (19mm) and  $\frac{5}{8}$ " (15.7mm) panels).

## Step 7: Secure overlay panel to the door.

With the #10 wood screws provided, fasten the overlay panel to the door. (See Figure 13).

## Step 8: Install door gasket

Press the door gasket into the door channel. Make certain the gasket corners are fully inserted. If applicable insert the key into the lock and make certain the lock operates properly.

## Step 9: Install the door

Install the top and bottom hinge adapter bushings back into the hinge adapters that were removed in step 6. Install the door by reversing the procedure from step 2. Install the top hinge pin so the screw head is flush with the top surface of the hinge. If applicable insert key into lock and verify the lock cam works properly with the catch bracket on the front of the ice machine cabinet.

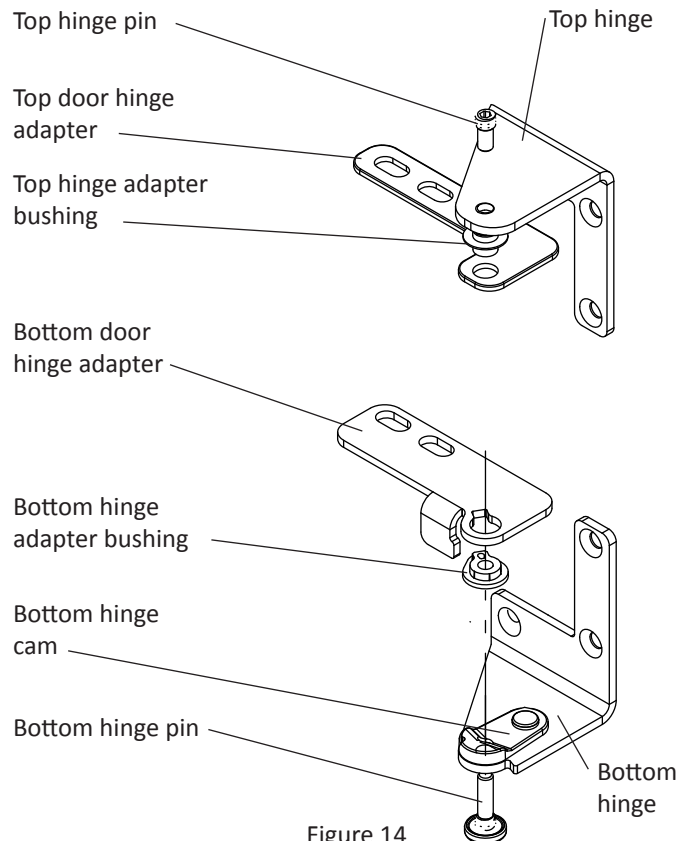


Figure 14  
Right hand  
hinges shown

# OPERATION, CARE, AND CLEANING OF YOUR ICE MACHINE

## Operation (Turning on the ice machine)

Once the drain and water supply are connected, and the ice machine is in place and leveled, plug in the service cord. Place the switch to the "ON" position to turn on the ice machine. The switch is located in the front grille, see Figure 16 for location.

## The Ice Making Process

Your ice machine is unique in how it forms ice with fractional freezing to form a slab of ice that is clear and has less mineral content than the water it is produced from. This is accomplished by running water over the cold evaporator plate (see Figure 15) which gradually freezes the water to produce the ice slab. Mineral deposits are left in the reservoir.

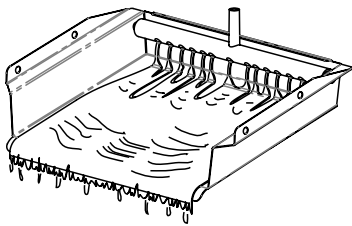


Figure 15

When the ice slab reaches the correct thickness, the ice sheet is released and slides onto the grid cutter (see Figure 17). Here, the ice slab is cut into squares by the grid cutter's heated wires (see Figure 18). The water containing the rejected minerals is drained after each freezing cycle. Fresh water enters the machine for the next ice making cycle.

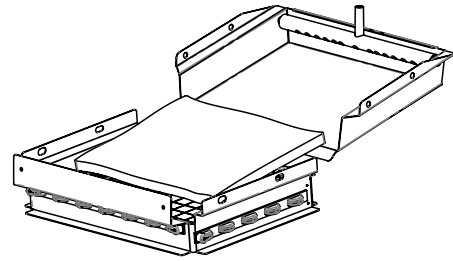


Figure 17

The ice machine will keep producing ice until the ice machine's bin is full and will restart automatically when ice needs to be replenished in the bin. The ice bin is not refrigerated, and some melting will occur. Allow your ice machine to run for 24-48 hours to accumulate ice in the ice machine's bin.

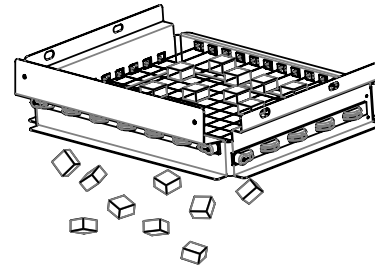


Figure 18

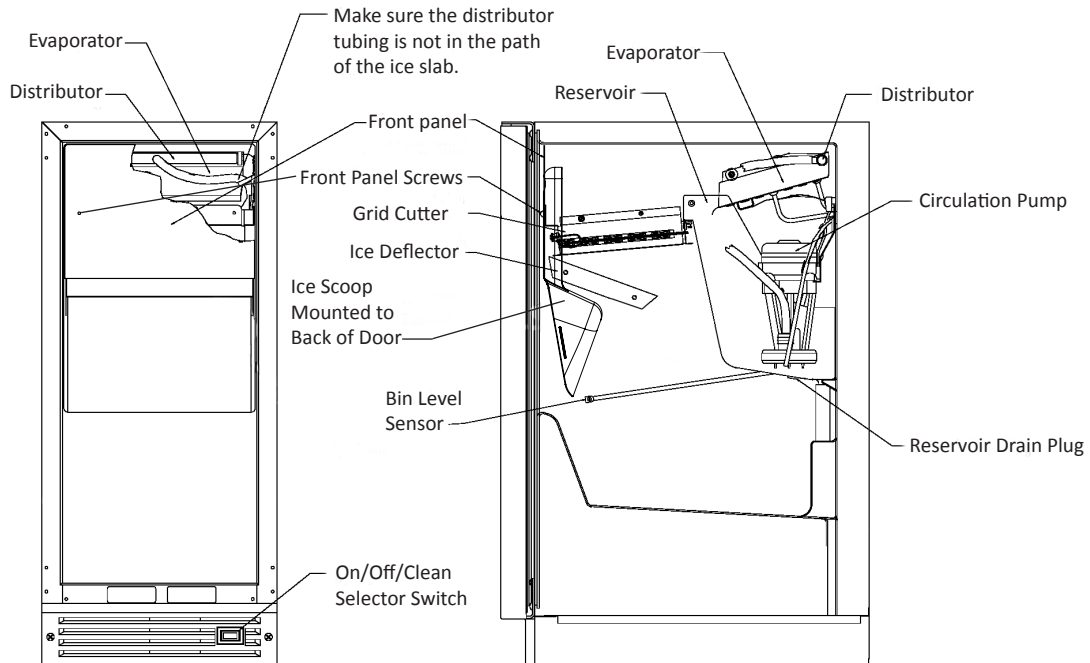


Figure 16



# OPERATION, CARE, AND CLEANING OF YOUR ICE MACHINE

The bin level sensor is located in the ice bin, it senses when the ice supply is low or full and starts or stops the ice making process accordingly.

## NOTE

If the water supply is turned off to the ice machine be sure to set the selector switch to the "OFF" position.

## Ice Production

Your unit will produce ~ 30lbs of ice in a 24-hour period when installed in a 70°F ambient with a 55°F water supply.

## NOTE

"Initial" ice production and ice accumulated in the storage bin will vary significantly. This is normal. During the first 24-hours of operation the unit will produce ~30lbs of ice at the above temperature conditions, but when starting with an empty ice storage bin, the storage bin may only accumulate ~ 18lbs of ice. By design, the ice storage bin is maintained at a temperature slightly above freezing to allow the stored ice to slowly melt, to preserve the clarity and assure a constant supply of fresh ice. As ice is accumulated in the bin, the ice production rate will overcome the ice melt and the storage bin will fill to capacity.

## New Sounds

The ice machine will make sounds that are different than your household refrigerator. Because these sounds are new to you they may be of a concern but are most likely normal. Ice falling onto hard surfaces and water cascading across the evaporator will make sounds seem louder than they actually are. Following are some of the sounds that you may hear:

A buzzing sound will be heard when the water valve opens to fill the water reservoir.

You may hear a rattling noise which could be water flowing through the water line.

A splashing sound may be heard when water is flowing over the evaporator plate and into the water reservoir.

When the ice slab is released from the evaporator plate you may hear a "thud" as it slides onto the grid cutter.

At the end of an ice making cycle you may hear a gurgling sound which is refrigerant flowing in the ice machine.

When the condenser fan turns on you might hear the air circulating over the condenser.

## Care of the Ice Machine

1. Avoid leaning on the cabinet door. You may bend the door hinge or tip the ice machine.
2. Exercise caution when sweeping, vacuuming or mopping near the front of the ice machine. Damage to the grille and/or switch can occur.
3. Periodically clean the inside of the ice machine components and inside of the ice machine.
4. If your ice machine has either a stainless steel door and/or cabinet, to keep it looking its best, we recommend periodically applying a stainless steel cleaner and a non-abrasive stainless steel polish. This is especially important for outdoor applications and locations near salt-water environments.

## Cleaning the Ice Machine

This build-up will need to be removed in the ice machine and stick to the ice machine's parts over time. This build-up must be removed for proper ice production, ice quality, and ice machine life. Your ice machine is equipped with a cleaning mode that will help in cleaning out these impurities.

The impurities will need to be cleaned of this build-up regularly (at the very least, annually), depending on use and water hardness. Use a nickel safe ice machine cleaner, including but not limited to the following brands. Ice machine cleaners are available at most appliance retailers or through the cleaner manufacturers web site.

Kirby's Certified ice machine cleaner, 100% nickel safe

Nu-Calgon nickel safe ice machine cleaner

Franklin Machine Products nickel safe ice machine cleaner

## To clean the ice machine:

1. Switch the selector switch to the "OFF" position.
2. Remove all the ice from the bin.
3. Remove the front panel by removing the 2 screws. (See Figure 19).

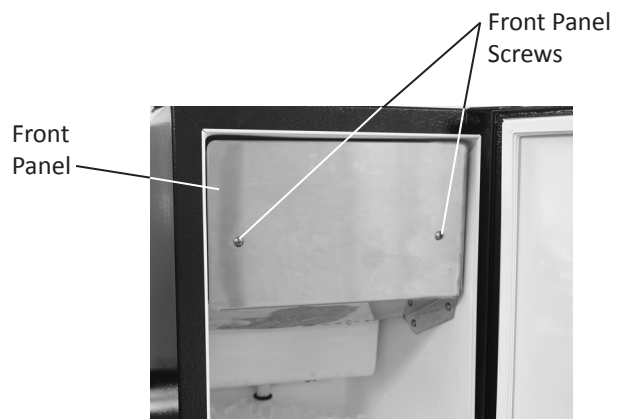
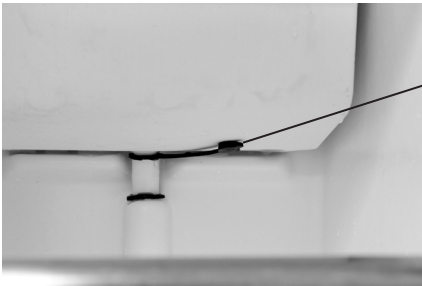


Figure 19

## OPERATION, CARE, AND CLEANING OF YOUR ICE MACHINE

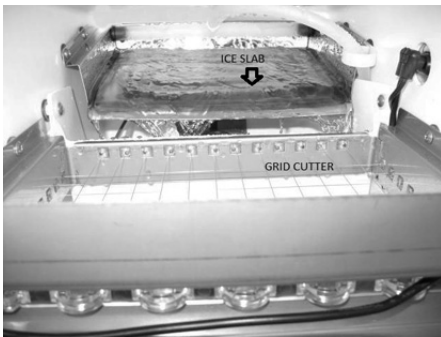
- Remove the drain plug at the bottom of the reservoir to drain any remaining water and then reinstall.



Drain plug  
in bottom of  
reservoir.

Figure 20

- Allow the ice to fall from the evaporator, remove and discard slab of ice. (See figures 21 and 22).



Allow ice slab  
to fall on to grid  
cutter

Figure 21

Remove ice  
slab and  
discard



Figure 22

- Determine the proper amount of cleaner from the ice machine cleaner manufacturer's mixture ratio based on  $\frac{3}{4}$  gallon (2.81 liters) of water (refer to the manufacturer's mix ratio directions). Add the recommended amount of concentrated cleaning solution to the reservoir of the ice machine. This can be done by pouring the solution on the evaporator, which will flow down into the reservoir. (See figure 23).



Figure 23

- Switch the selector switch on the grille of the ice machine to the "CLEAN" position. The ice machine will automatically start and stop the cleaning cycle and  $\frac{3}{4}$  of a gallon (2.81 liters) of water will automatically be added to the cleaning solution.
- The total cleaning time will end in 49 minutes. The cleaning cycle will automatically rinse the evaporator plate and also drain the cleaning solution and rinse the reservoir with water.
- After the cleaning cycle has ended check that the build-up has been removed. The evaporator plate should be clean, shiny, and smooth to the touch. If build-up is still visible, repeat the cleaning cycle above.
- Clean the ice machine's interior, ice scoop, interior door panel and door gasket with mild soap and water. Using two (2) tablespoons of baking soda in one (1) quart of warm water while cleaning will help remove odors. Rinse with fresh water. **DO NOT USE ANY ABRASIVE CLEANING PRODUCTS.**
- Replace the front panel.
- Your ice machine is now clean and sanitized and may be put back into operation by switching the selector switch to the "ON" position.

### NOTE

Discard the first batch of ice. In the unlikely event a power interrupt occurs during the clean cycle, you need to start over from the beginning to assure complete cleaning and rinsing of the cleaning agent from the machine.

## ENERGY SAVING TIPS

---

### Energy Saving Tips

**The following suggestions will minimize the cost of operating your ice machine appliance.**

1. Do not install your appliance next to a hot appliance, (cooker, dishwasher, etc.), heating air duct, or other heat sources.
2. Install product out of direct sunlight.
3. Assure the front grille vents at front of the ice machine beneath the door are not obstructed and kept clean to allow ventilation for the refrigeration system to expel heat.
4. Plug your appliance into a dedicated power circuit. (Not shared with other appliances).
5. Minimize door openings and duration of door openings.
6. Set the control to the "off" position if cleaning the ice machine requires the door to be open for an extended period of time.

## FILLER PANEL KIT INSTALLATION INSTRUCTIONS (OPTIONAL)

### Filler Panel Kit

This Filler Panel Kit will add 3 inches to the width of the ice machine for installation into an 18 inch wide opening. Order one of the following part numbers for the color you require:

P/N 42242831 White Filler Panel Kit

P/N 42242832 Black Filler Panel Kit

P/N 42242833 Stainless Steel Filler Panel Kit

Optional Filler Panel kit includes the following:

quantity 2 Cabinet Extensions

quantity 2 Kick plate Extensions

quantity 6 #10 x .50" sheet metal screws

The following tools are needed:

Phillips screwdriver

Scribe or sharp pointed object

Sharp  $\frac{1}{8}$ " diameter drill bit and drill.

To install the filler panel kit:

1. Hold one cabinet extension to side of the ice machine, keeping the  $\frac{1}{2}$ " diameter holes to the outside. Line up the top and front of the cabinet extension with the top and front of the ice machine. Mark the 3 hole locations with the scribe.
2. Drill the scribed hole locations with the  $\frac{1}{8}$ " diameter drill bit. **DRILL ONLY ENOUGH TO GO THROUGH THE CABINETS OUTER SKIN.** Do not drill past this point or you will drill to the inside of the ice machine.
3. Reposition the cabinet extension to the ice machine and screw in place with 3 of the sheet metal screws. **DO NOT OVER TIGHTEN THE SCREWS.**
4. Repeat steps 1 through 3 for the other side of the ice machine.
5. Remove the screws securing the grille to the bottom of the ice machine. Slide the kick plate extensions behind the grille as shown. Replace the screws and tighten.

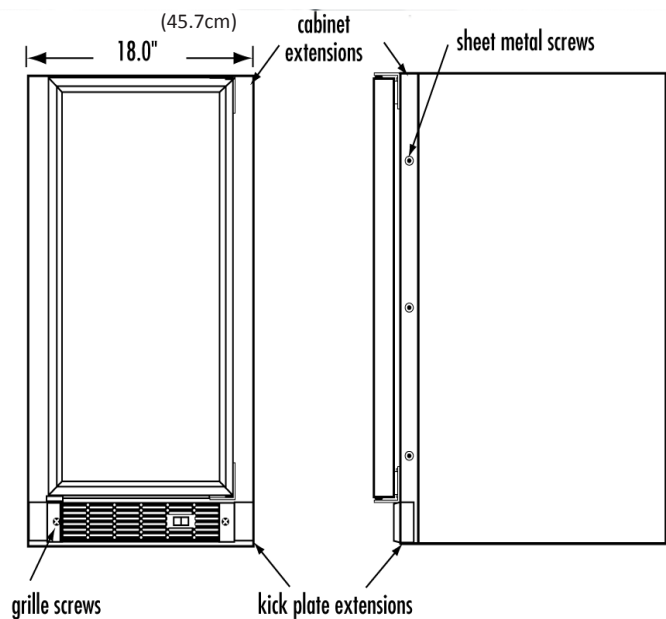


Figure 24

# TROUBLESHOOTING GUIDE

---

Before calling a service provider try the trouble shooting suggestions below.

## Ice Machine Operation

### Ice machine does not operate

**Is the ice machine's power cord plugged in?** Plug the power cord into a grounded 3 prong outlet.

**Is the selector switch in the front grille set to the "ON" position?** Check the switch to be sure it is in the "ON" position.

**Is a fuse blown or a circuit breaker been tripped?** Replace a blown fuse or reset a tripped circuit breaker.

**Is the temperature of the room cooler than it normally is?** The minimum room temperature is 55°F (13°C). The bin thermistor may be sensing the room temperature and shut off before the bin is full of ice. If the room temperature remains low the ice machine may not restart.

**Is there a drain pump in the ice machine?** If a large amount of water was added to the ice machine then you should wait a few minutes for the drain pump to dispose of it. If there is still water in the ice bin check the drain pump vent line and drain line for obstructions or kinking.

### The ice machine is noisy

Many sounds of an ice machine are different than your household refrigerator. This subject is discussed on page 17, but check the following:

**Do you hear water being circulated in the ice machine?** This is a normal sound as water is added once every ice making cycle.

**Is there a "whoosing" sound?** Make sure water is getting to the ice machine. Also check to make sure the drain plug is fully seated in the water reservoir.

**Is there an ice slab caught between the evaporator plate and the grid cutter?** First check to see if the ice machine is level. If the ice machine is level run a cleaning cycle.

## Ice Production

### Little or no ice production from the ice machine

**Is the selector switch set to the "ON" position?** Check the switch to be sure it is in the "ON" position.

**Is water getting to the ice machine?** Make sure nothing is disrupting the water supply such as a closed water valve or a blown fuse or tripped circuit breaker.

**Has the ice machine just been started?** A typical ice production cycle can take up to 1½ hours. Initial start up cycles can take longer. Check the ice machine after 24 hours for ice accumulation in the bin.

**Is the reservoir drain plug in place?** Check that the reservoir drain plug is properly seated.

**Is the water distributor tube restricted?** Run a cleaning cycle to clean the ice machine. Also check any filters to make sure they are not restricted.

**Is the condenser fan air flow restricted?** Make sure the grille in the front of the ice machine is open for proper air circulation.

**Is the room and/or water temperature to warm?** Move the ice machine to an area where the ambient temperature is below 90°F (32°C). The ice machine should not be placed next to a heat source such as an oven. Check the cold water connection.

**Is there scale build up in the ice machine?** If there is scale build up on the evaporator, the ice machine needs to be cleaned. See "Cleaning the Ice machine".

## Ice Quality

### Odor, grey color, or off taste in the ice

**Is there mineral scale build up on the evaporator plate?** The ice machine needs cleaning. See "Cleaning the Ice Machine".

**Is there a high mineral content in the water?** The water may need to be filtered.

**Are food items being stored in the ice bin?** Remove food from the ice bin.

### Clumps of ice

**Are there clumps of ice in the bin?** If the ice isn't used on a regular basis it will melt and form into clumps. Break up the ice clumps with the ice scoop.

### Ice cubes are too big, too small, or hollow

**Is there low ice consumption?** Ice is slowly melting in the ice bin which will affect the size of the cubes. This is normal operation. When the ice bin needs to be replenished, cubes will return to the regular size.

**Is the ice slab releasing?** Clean the evaporator. See "Cleaning the Ice Machine".

**Is the distributor tube restricted?** Check the water line to the ice machine to make sure there are no restrictions or kinks in the line. Check all filters to make sure they are not restricted. Check that the water flows evenly out of the distributor tube, if not, clean the ice machine. See "Cleaning the Ice Machine".

## TROUBLESHOOTING GUIDE

---

### Plumbing Problems

**Is the drain hose aligned over the drain?** Move the ice machine to align the drain.

**Is the ice machine draining properly?** Check that there are no kinks or restrictions in the drain lines; this can cause water to back up in the ice bin. Check that foreign material is not blocking the ice bin drain located at the right rear corner of the ice bin. Check the drain pump discharge and vent line or any restrictions or kinks. Check that the drain pump is level.

### NOTE

If there are plumbing issues outside of the ice machine, they cannot be repaired by the service technician. A qualified plumber will have to be called.

## PREPARING THE ICE MACHINE FOR STORAGE

If the ice machine is moved, not used for an extended period of time, or will be in an area that will be near freezing temperatures, it is necessary to remove any remaining water in the ice-making system.

### CAUTION

This ice machine must have all water drained and removed to prevent ice machine damage as well as possible water damage to the surrounding area in freezing conditions. These damages are not covered under warranty.

### CAUTION

Do not use any type of anti-freeze or other solution as a substitution for properly draining the ice machine.

### Clean the Ice Machine

Cleaning the ice machine will help prevent mold and mildew growth as well as sanitize the ice machine for storage or when it is put back into service. See page 17 for instructions for cleaning the ice machine.

### WARNING

Risk of electrical shock or personal injury could occur due to moving components, if machine compartment access cover is removed before unplugging the ice machine.

### Draining and Removing Water from the Ice-Making System with a Gravity Drain.

1. Turn off water supply to the ice machine.
2. Disconnect the water supply fitting at the inlet of the water valve.
3. Switch the rocker switch to CLEAN for approximately one (1) minute. This will energize and open the water valve and remove most of the water from the water valve and the water valve's outlet water line to the reservoir.
4. Switch the rocker switch to OFF position. This will energize and open the drain valve to drain the reservoir and the ice machine drain system.
5. Unplug the ice machine from the electrical outlet.
6. Remove the access cover from the rear of the ice machine. (See page 5).
7. Disconnect the water valve's outlet water line to the reservoir and drain the remaining water left in the water line trap area.
8. Reconnect the water valve outlet water line and tighten the

compression nut to a watertight seal.

9. Reinstall the ice machine's access cover.
10. Clean and dry the ice machine's storage bin.
11. Prop the door open for air circulation to prevent mold and mildew.
12. Leave the water supply line disconnected or reconnect the supply line and leave it shut off. Do NOT turn the water on and allow water to enter back into the water valve.

### Draining Water for Factory Installed Drain Pump Applications

Follow steps 1 through 12 for the gravity drain then do the following:

13. Remove the drain pump from the ice machine (refer to Drain Pump Removal Instructions on page 24).
14. Drain the water in the drain pump's reservoir by turning the pump upside down and allowing water to drain through the pump's inlet and vent tube fittings.
15. After all water is drained, reinstall the drain pump. Make certain all tubing is installed and all hose clamps are tight (refer to Drain Pump removal Instructions on page 24).

### To Restart the Ice Machine

1. With the rocker switch in the OFF position, plug the ice machine into an electrical outlet.
2. Reconnect or turn on the water supply line.
3. Reconnect drain tubing if removed.
4. Turn the rocker switch to the ON position.
5. Check the water inlet, drain lines, and fittings for any water leaks.
6. Check drain pump (if equipped) operation by pouring approximately two (2) quarts of water into the ice storage bin. The drain pump should activate and discharge water (refer to Drain Pump on page 6). Check for water leaks at all hose connections.

## DRAIN PUMP REMOVAL INSTRUCTIONS

### Drain Pump Removal Instructions:

1. Unplug ice machine from the electrical supply and remove the rear access cover from the ice machine. (See page 5 for instructions).
2. Unscrew the leveling leg in the back corner until the end of the threaded portion is flush with the threaded nut insert in the base. (see Figure 26 ).
3. Unscrew the 4 hose clamps and remove the 3 hoses from the front of the drain pump. (See Figure 26).
4. Rotate the drain pump and remove from the ice machine, (See Figure 25). It may be necessary to disconnect the ground wire connection in the back flange of the cabinet. (See Figure 26).
5. Disconnect the ice machine power cord from the drain pump (See Figure 27).
6. To drain water from the pump follow step 14 and 15 on page 23.
7. Installation of drain pump is reverse of this procedure.

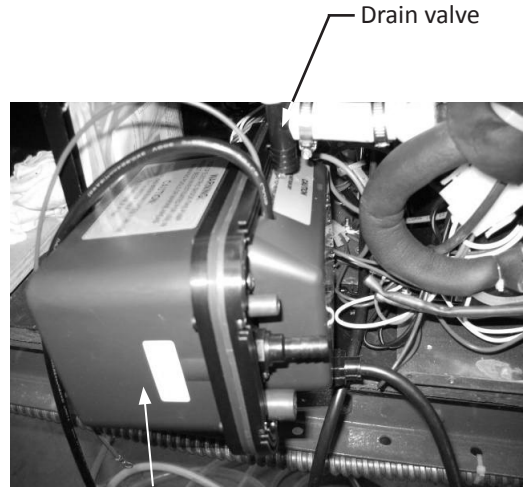


Figure 25

Rotate drain pump and remove from back of ice machine.

Remove these 4 hose clamps, then remove the 3 tubes from the drain pump



Figure 26

Unscrew the leveling leg so the end of the threads is flush with the top of the nut insert.

It may be necessary to disconnect this electrical connection on factory installed drain pumps

Drain pump ground wire connection



## DRAIN PUMP REMOVAL INSTRUCTIONS

---



Figure 27

### **Additional issues to be inspected by the installer upon service replacement:**

- 1) The drain pump must be level.
- 2) No pinched water lines.
- 3) No interference with electrical cords or wiring.
- 4) The drain pump should not set on any obstacles, wiring, etc.
- 5) Secure all hose clamps leading to and from the drain pump.
- 6) Insure that the vent tube height is adequate - 18 inch minimum.
- 7) Insure that drain height is adequate - maximum of 8 foot.
- 8) Insure that drain length is adequate - maximum of 20 foot.
- 9) Checked for water leaks after installation of the drain pump.
- 10) Check for vibrations caused by improper installation.
- 11) Insure that there is no interference with back access cover.
- 12) Insure that the hole grommets are in place at each location so that any vent or drain tubes do not rub on any sharp surfaces.

## OBTAINING SERVICE

### Before Calling for Service

Before calling for service, check the following items:

- Make sure the ice machine is plugged into an outlet.
- Check the outlet for power. Test outlet with lamp to make certain outlet has power.
- Make sure ice machine's switch is in the "ON" position.
- Make sure that there is cold water supplied to the ice machine.
- Make sure drain plug on bottom of reservoir is inserted.
- Make certain the ice machine is level from front to back and side to side.
- Make certain that the drain line to the ice machine is not restricted or kinked.

If you are not able to correct the problem, contact your dealer or the manufacturer. Be sure to have the service number and the serial number handy before you call. The service and the serial number are located inside the ice machine on the left side of the liner.

### If You Do Need Service

If you do need service, contact your dealer or AGA MARVEL. In any correspondence, refer to the service number and serial number of your ice machine which is located on the upper left hand side of the wall liner. Retain your proof of purchase. You may want to record these numbers in Table D below.

For Your Records	
Date of Purchase	
Dealer's Name	
Dealer's Address	
Dealer's City	
Dealer's State	
Dealer's Zip	
Appliance Serial Number	
Service Number	
Date Warranty Card Sent (Must be within 10 Days of Purchase)	

Table D

### How to Obtain Service

Your ice machine requires little service because the best and most up to date materials, equipment and quality methods are employed throughout the manufacturing process.

If trouble occurs during normal operation, first check the troubleshooting guide on page 21 to see if any of these simple steps may correct the problem. If service becomes necessary:

1. If the product is within the first year warranty period, please call AGA MARVEL Customer Service at 800.223.3900 for directions on how to obtain warranty coverage in your area.
2. If the product is outside of the first year warranty period, AGA MARVEL Customer Service can provide recommendations of service centers in your area. **A listing of authorized service centers is also available at [www.agamarvel.com](http://www.agamarvel.com) under the service and support section.**
3. In all correspondence regarding service, be sure to give the service number, serial number, located on your product's serial plate, and proof of purchase.
4. Try to have information or description of the nature of the problem, how long the ice machine has been running, the room temperature, water temperatures, and any additional information that may be helpful in quickly solving the problem.

# HOUSEHOLD PRODUCT WARRANTY

---

## Entire Product

### Limited One Year Parts and Labor Warranty

AGA MARVEL warrants that it will supply all necessary parts and labor to repair or replace in the end user's home or office, any component which proves to be defective in material or workmanship, subject to the condition and exclusions stated below, for a period of one year from the date of purchase by the end user.

### Additional Second Through Fifth Year

#### Limited Parts Only Warranty

During the four years following expiration of the one year limited warranty, AGA MARVEL will supply replacement parts for the hermetically sealed refrigeration system which consists of the compressor, condenser, drier, accumulator, bypass valve, connecting tubing and the evaporator that are proven to be defective due to workmanship or materials subject to the conditions and exclusions below.

The above warranties do not cover:

- Shipping costs of replacement parts or returned defective parts.
- Customer education or instructions on how to use the appliance.
- Any content loss due to product failure.
- Removal or installation.

Nor do the above warranties cover failure of this product or its components due to:

- Transportation or subsequent damages.
- Commercial use or use other than normal household or small office.
- Improper installation, misuse, abuse, accident or alteration, use on wiring not conforming to electrical codes, low or high voltages, failure to provide necessary maintenance, or other unreasonable use.

## Parts or Service

### Not Supplied or Designated by AGA MARVEL

The above warranties also do not apply if:

- The original bill of sale, deliver date, or serial number cannot be verified.
- Defective parts are not returned for inspection if so requested by AGA MARVEL.
- The refrigeration equipment is not in the possession of the original end use purchaser.

The warranties set forth herein are the only warranties extended by AGA MARVEL. Any implied warranties, including the implied warranty of merchantability, are limited to the duration of these express warranties. In no event shall AGA MARVEL be liable for any consequential or incidental damages or expenses resulting from breach of these or any other warranties, whether express or implied.

Some states do not allow the exclusion or limitation of consequential damages or a limitation on how long an implied warranty lasts, so the above exclusion or limitation may not apply to you. This warranty gives you specific legal rights and you may have other rights that may vary from state to state.

No person, firm, or corporation is authorized to make any other warranty or assume any other obligation for AGA MARVEL. These warranties apply only to products used in any of the fifty states of the United States and the District of Columbia.

To obtain performance of this warranty, report any defects to:

### **AGA MARVEL**

1260 E. VanDeinse St.  
Greenville MI 48838

Phone: 800.223.3900



[www.agamarvel.com](http://www.agamarvel.com)

**AGA MARVEL**  
1260 E. VanDeinse St.  
Greenville MI 48838

800.223.3900

41012687-EN rev E  
5/7/15

All specifications and product designs subject to change without notice. Such revisions do not entitle the buyer to corresponding changes, improvements, additions, replacements or compensation for previously purchased products.

Instructions  
d'installation,  
d'utilisation  
et d'entretien

Machine à glaçons "Clear Ice"

**30iMT (Marvel)**

**30iMAT (Marvel)**

**30iMT (Extérieur)**

**MPRO30iMT (Professionnel)**



## CONTENU

Déballage de votre machine à glaçons .....	3
Enlèvement de l'emballage .....	3
Enregistrement de la garantie .....	3
Installation de votre machine à glaçons .....	4
Choix de l'emplacement à l'extérieur .....	4
Préparation pour l'hiver .....	4
Écartements pour l'armoire.....	4
Pieds de mise à niveau .....	4
Raccordement électrique.....	5
Installation de la plomberie de drainage.....	5
Pompe de drainage .....	6
Branchement de l'arrivée d'eau.....	8
Dimensions pour porte pleine de 30iMT.....	9
Dimensions brutes d'ouverture recommandées pour porte pleine de 30iMT.....	9
Dimensions pour porte pleine de 30iMT and MPRO30iMT.....	10
Dimensions brutes d'ouverture recommandées pour porte pleine de 30iMT and MPRO30iMT .....	10
Dimensions pour porte à revêtement plein de 30iMT .....	11
Dimensions brutes d'ouverture recommandées pour porte à revêtement plein de 30iMT .....	11
Dimensions pour porte pleine de 30iMAT.....	12
Dimensions brutes d'ouverture recommandées pour porte pleine de 30iMAT.....	12
Dimensions pour porte à revêtement plein de 30iMAT .....	13
Dimensions brutes d'ouverture recommandées pour porte à revêtement plein de 30iMAT .....	13
Instructions d'installation de panneau de revêtement complet .....	14
Fonctionnement, entretien et nettoyage .....	16
Utilisation (mise en marche de la machine à glaçons) .....	16
Entretien de la machine à glaçons.....	17
Nettoyage de la machine à glaçons.....	17
Conseils pour les économies d'énergie .....	19
Instructions d'installation du kit de panneaux de remplissage (optionnel).....	20
Guide de dépannage .....	21
Préparation à l'entreposage de la machine à glaçons .....	23
Instructions de démontage de pompe de drainage .....	24
Obtention de service .....	26
Garantie d'appareil à usage domestique .....	27



**AGA MARVEL** s'engage à fabriquer un produit de qualité d'une manière ne nuisant pas à l'environnement. Nos procédés sont sévèrement contrôlés et surveillés de près. Nous avons obtenu les certifications ISO 9001 d'assurance qualité, et ISO 14001 de gestion environnementale, et OHSAS 18001 pour hygiène et sécurité du travail de Lloyd's Register Quality Assurance.

## DÉBALLAGE DE VOTRE MACHINE À GLAÇONS

### Importantes instructions de sécurité

Les avertissements et les instructions de sécurité qui apparaissent dans ce guide n'ont pas la prétention de couvrir toutes les conditions et situations possibles pouvant arriver. Il faut faire preuve de bon sens, de précautions et de soins, pour installer, utiliser ou entretenir cet appareil.

### Reconnaissance des symboles, des mots et des étiquettes concernant la sécurité.

#### ⚠ AVERTISSEMENT

**AVERTISSEMENT** — Dangers ou pratiques dangereuses avec une forte probabilité de blessures corporelles et/ou de dommages pour le produit.

#### ⚠ ATTENTION

**ATTENTION** - Risques ou pratiques dangereuses pouvant entraîner des blessures individuelles, des dégâts matériels ou des dommages au produit.

#### REMARQUE

**REMARQUE** - Information importante pour réaliser une installation et une utilisation sans problèmes.

### Enlèvement de l'emballage intérieur

Votre machine à glaçons a été emballée pour l'expédition avec toutes les pièces pouvant être endommagées par le mouvement solidement attachées. Enlevez les matériaux d'emballage intérieur et toute bande maintenant des composants intérieurs en place. Le manuel de l'utilisateur est envoyé à l'intérieur de l'appareil dans un sac en plastique, accompagné de la carte d'enregistrement de la garantie.

### Important

Conservez votre carton et l'emballage jusqu'à ce que votre machine à glaçons ait été complètement inspectée et trouvée en bon état. S'il présentait des dommages, cet emballage serait nécessaire comme preuve qu'ils sont survenus durant le transit. Ensuite veuillez mettre toutes les parties de l'emballage au rebut de façon responsable, en particulier les sacs en plastique qui constituent un danger d'étouffement.

### Note pour le client

Cette marchandise a été soigneusement et complètement inspectée avant de quitter notre usine. La responsabilité pour sa livraison sûre a été assumée par le revendeur à l'acceptation de cette expédition. Les réclamations pour perte ou dommages survenus durant le transit sont à adresser au revendeur.

NE RENVOYEZ PAS DE MARCHANDISE ENDOMMAGÉE AU FABRICANT – DÉPOSEZ UNE RÉCLAMATION AUPRÈS DU REVENDEUR.

#### ⚠ ATTENTION

Si l'appareil a été livré étant sur le dos, ou y est resté pendant une durée quelconque, laissez la machine à glaçons reposer debout pendant au moins 24 heures avant de la brancher électriquement. Cela assurera le retour de l'huile au compresseur. Un branchement immédiat de la machine à glaçons pourrait endommager des parties internes.

### Enregistrement de la garantie

Il est important que vous postiez votre carte de garantie immédiatement après avoir pris livraison de votre machine à glaçons.

Les informations suivantes seront nécessaires au moment de l'enregistrement de votre appareil :

Référence de service  
Numéro de série  
Date d'achat  
Nom et adresse du revendeur

La référence de service et le numéro de série se trouvent sur la plaque signalétique qui est située à l'intérieur de la machine à glaçons, sur le côté gauche du revêtement intérieur (Voir la Figure 1).


<b>AGA MARVEL</b>		R134A <input type="checkbox"/> oz
MODEL NO.	<input type="text"/>	
SERVICE NO.	<input type="text" value="XXXXXXXX"/>	REV. <input checked="" type="checkbox"/>
SERIAL NO.	<input type="text" value="XXXXXXXXXXXXXXXX"/>	
	HZ <input type="text"/>	VOLTS <input type="text"/>
		AMPS <input type="text"/>
	TEST PRESSURE 140 PSI LOW SIDE 300 PSI HIGH SIDE	

Figure 1

#### ⚠ ATTENTION

### Contribuez à éviter des tragédies

L'emprisonnement d'enfants et leur asphyxie ne sont pas des problèmes du passé. Des épaves de réfrigérateurs abandonnés continuent de présenter un danger - même en restant dehors pour "juste quelques jours".

Si vous devez vous débarrasser de votre vieux appareil de refroidissement, veuillez suivre ces instructions pour aider à éviter des accidents possibles.

Avant de jeter votre vieux réfrigérateur ou congélateur :

- Démontez ses portes ou enlevez ses tiroirs.
- Laissez les tablettes en place de façon à ce que des enfants ne puissent pas facilement monter dedans

# INSTALLATION DE VOTRE MACHINE À GLAÇONS

## Choix de l'emplacement

Un bon emplacement assurera une performance de pointe pour votre appareil. Nous recommandons un endroit où l'appareil ne sera pas exposé directement au rayonnement solaire et restera écartée de sources de chauffage. Pour assurer que les performances de votre produit soient au niveau de ses spécifications, la plage de températures recommandée au lieu d'installation sera de 55 à 80°F (13 à 27 °C) pour des appareils intégrés, de 55 à 90°F (13 à 32°C) pour des appareils autonomes. La machine à glaçons ne fonctionnera pas correctement à des températures ambiantes en dessous de 55°F (13 °C).

## ATTENTION

### Installation à l'extérieur

Seul le modèle 30iMT convient pour une installation à l'extérieur.

Les normes de construction peuvent exiger une prise secteur avec disjoncteur sur fuite à la terre pour fournir l'alimentation de l'appareil installé à l'extérieur (consultez la section "Connexion électrique").

Ne faites pas l'installation dans un environnement où l'appareil serait exposé au rayonnement solaire direct, car cela nuirait à sa bonne performance.

### Préparation pour l'hiver de votre machine à glaçons

Pour des instructions sur la préparation pour l'hiver de votre machine à glaçons, voyez en page 23 "Préparation à l'entreposage de la machine à glaçons".

### Écartements par rapport à l'armoire

Une ventilation est nécessaire depuis la section frontale du bas de l'armoire. Gardez cette zone libre et exempte de toutes obstructions. Des meubles et comptoirs peuvent être installés autour de l'appareil de façon adjacente dans la mesure où l'accès à sa grille et sa porte restera non obstrué.

## ATTENTION

### Grille frontale

N'obstruez pas la grille frontale. Les ouvertures au travers de la grille frontale permettent l'écoulement de l'air par l'échangeur thermique du condenseur. Des restrictions de ce flux d'air vont augmenter la consommation d'énergie et affecter sa capacité de refroidissement. C'est pourquoi il est important que cette zone ne soit pas obstruée et soit maintenue propre. AGA MARVEL recommande de ne pas utiliser de grilles personnalisées, car l'écoulement d'air en serait diminué du fait d'ouvertures insuffisantes (Voir la Figure 2).

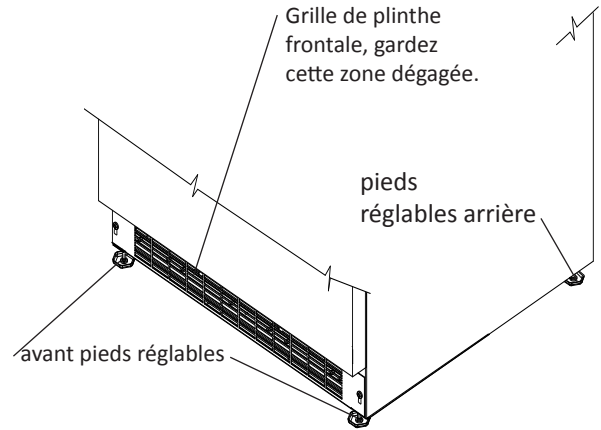


Figure 2

### Pieds de mise à niveau

Des pieds réglables aux angles avant et arrière de l'armoire doivent être ajustés pour qu'elle soit fermement positionnée au sol et bien d'aplomb, d'un côté à l'autre et d'avant en arrière. La hauteur totale de votre appareil Marvel peut être ajustée entre 33 $\frac{3}{4}$ " (85,7 cm) quand ses pieds de mise à niveau sont vissés, et 34 $\frac{3}{4}$ " (88,3 cm) quand ils sont sortis.

Pour régler ces pieds de mise à niveau, placez la machine à glaçons sur une surface solide, en protégeant le sol en dessous pour ne pas le rayer. Avec l'aide d'une autre personne, inclinez vers l'arrière de l'appareil pour accéder aux pieds de mise à niveau de l'avant. Levez ou abaissez ces pieds à la hauteur requise en les tournant. Répétez le processus pour l'arrière en basculant l'appareil vers l'avant en faisant attention à ce que la porte ne s'ouvre pas. Sur une surface plane, vérifiez le niveau de l'appareil et ajustez les pieds en conséquence.

Les vis de la grille frontale (grille de plinthe) peuvent être desserrées et la grille ajustée à la hauteur voulue. Quand le réglage est fait resserrez les vis de la grille de plinthe (Voir la Figure 3).

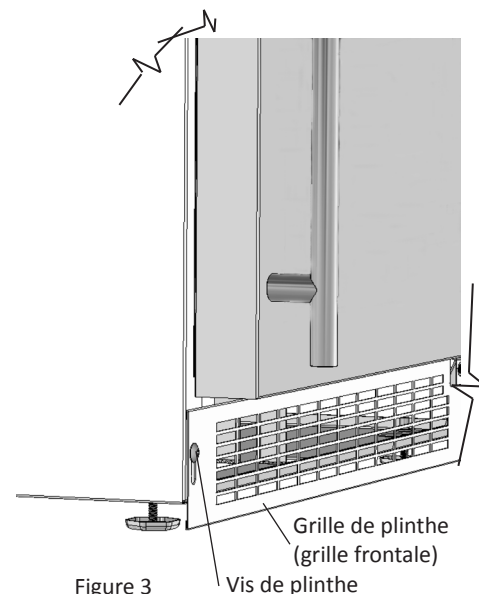


Figure 3



## INSTALLATION DE LA PLOMBERIE DE DRAINAGE

### ⚠ ATTENTION

- **N'envoyez pas d'eau par éclaboussure ou par jet d'un tuyau sur la machine à glaçons. Cela pourrait causer une commotion électrique, entraînant potentiellement des blessures graves voire mortelles.**
- **Cet appareil ne doit sous aucun prétexte être installé sur une alimentation électrique sans liaison de terre.**

### Raccordement électrique

Un circuit secteur dédié en 115 V supportant 15 A est nécessaire.

Ce produit est équipé en usine d'un cordon secteur comportant une fiche avec terre à trois broches. Il faut la brancher dans une prise secteur correspondante avec terre, en conformité avec la norme électrique américaine et les normes et réglementations locales applicables (Voir la Figure 4). Si le circuit ne comporte pas une prise avec terre, le client doit en fournir une adéquate, c'est sa responsabilité. La troisième broche de terre ne doit en aucun cas être coupée ou enlevée.

### ⚠ ATTENTION

Des rallonges de cordon électrique ne doivent pas être utilisées. Elles peuvent être dangereuses et causer un mauvais fonctionnement. La prise murale doit être située près de la machine à glaçons et être de type polarisé avec une bonne terre de protection. La machine à glaçons doit être installée en conformité avec vos normes de construction et réglementations locales.

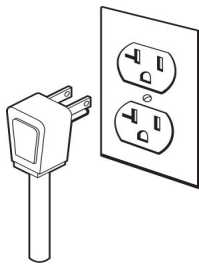


Figure 4

### REMARQUE

Un disjoncteur sur détection de courant de fuite (GFCI) provoque des déclenchements intempestifs qui arrêtent l'appareil. Ce type de protection n'est en général pas utilisé sur de l'équipement électrique qui doit tourner sans surveillance pendant de longues périodes, sauf si c'est imposé par les normes de construction et réglementations locales. N'utilisez pas de rallonge secteur avec cet appareil.

### ⚠ AVERTISSEMENT

Un risque de commotion électrique ou de blessure corporelle peut venir de composants en mouvement si le couvercle d'accès au compartiment de la machine est enlevé avant d'avoir débranché électriquement la machine à glaçons.

### Plomberie de drainage

Votre machine à glaçons a besoin d'une plomberie de drainage. Il y a deux variantes de machines à glaçons en ce qui concerne l'installation de la plomberie de drainage, sans pompe de drainage (drainage par simple gravité), et avec une pompe de drainage.

### Drainage par gravité, sans pompe.

Votre machine à glaçons nécessite un drainage par gravité (Figure 5) avec un tube de  $\frac{3}{8}$  de pouce de diamètre extérieur, depuis son arrière par un raccordement de plomberie jusqu'à un égout séparatif. L'emplacement de cette connexion de drainage par gravité peut être dans la partie hachurée montrée en Figure 7.

### Drainage par pompe installée en usine

Votre machine à glaçons comporte alors une pompe de drainage montée en usine. Le tube d'évacuation est enroulé et fixé à l'arrière de la machine à glaçons. Le tube de diamètre interne  $\frac{3}{8}$  de pouce doit être installé et branché sur un égout séparatif. Référez-vous à la Figure 6. L'élévation maximale permise par la pompe de drainage est de 2,4 m au travers d'un tube de diamètre interne  $\frac{3}{8}$  de pouce.

### Conversion d'un système de drainage à pompe d'usine en système par gravité

Le kit de service 42248304 sera nécessaire si la machine à glaçons est convertie à un drainage par gravité. La dépose de la pompe de drainage sans ce kit de service 42248304 empêcherait la machine de poursuivre sa production de glaçons.

### Pompe de drainage optionnelle.

Une pompe de drainage optionnelle (Figure 6) est disponible si vous avez acheté une machine à glaçons qui n'en comportait pas, et que vous n'avez pas accès à un drainage par gravité. Des instructions d'installation sont fournies avec cette pompe de drainage optionnelle. Contactez le service à la clientèle de Marvel pour la commander.

Respectez et observez toutes les normes locales pour l'installation de la machine à glaçons.

### ⚠ ATTENTION

La pompe de drainage est conçue pour être installée uniquement dans des machines à glaçons Marvel.

### ⚠ ATTENTION

L'absence d'utilisation d'un système de drainage adéquat va entraîner des dégâts des eaux aux alentours et/ou une production médiocre de glaçons.

## POMPE DE DRAINAGE

La **pompe de drainage Marvel** est conçue pour éliminer l'eau de drainage des machines à glaçons dans les lieux où existe un accès direct au drain. La pompe à réservoir scelle collecte l'eau de glace fondue, et la propulse avec une élévation maximale de 8 pieds (2,4 m) au travers d'un tube vinyle de diamètre interne de  $\frac{3}{4}$  de pouce vers un drain.

### ⚠ ATTENTION

Cette pompe a été évaluée pour être utilisée avec de l'eau uniquement.

REMARQUE : Un soin raisonnable et des méthodes sûres doivent être appliqués. Ne travaillez PAS avec de l'équipement électrique sous tension dans une zone humide. Lisez et appliquez toutes les instructions d'installation listées dans ce manuel.

### ⚠ AVERTISSEMENT

Risque de commotion électrique – Cette pompe est livrée avec un conducteur de mise à la terre et une fiche de raccordement avec borne de terre. Pour réduire le risque de commotion électrique, assurez-vous que cette fiche est branchée uniquement sur une prise secteur du bon type correctement reliée à la terre.

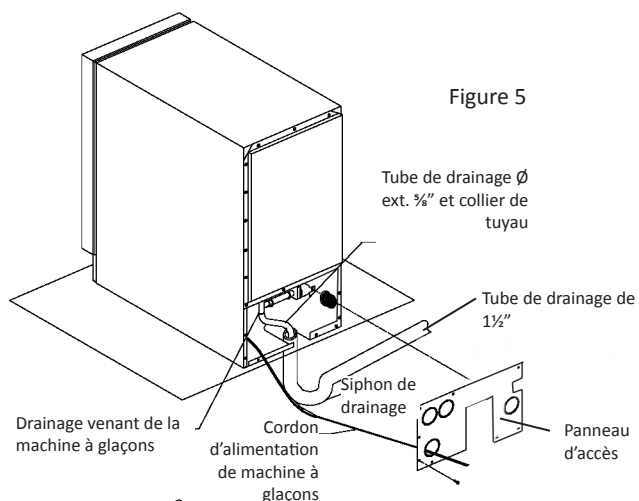


Figure 5

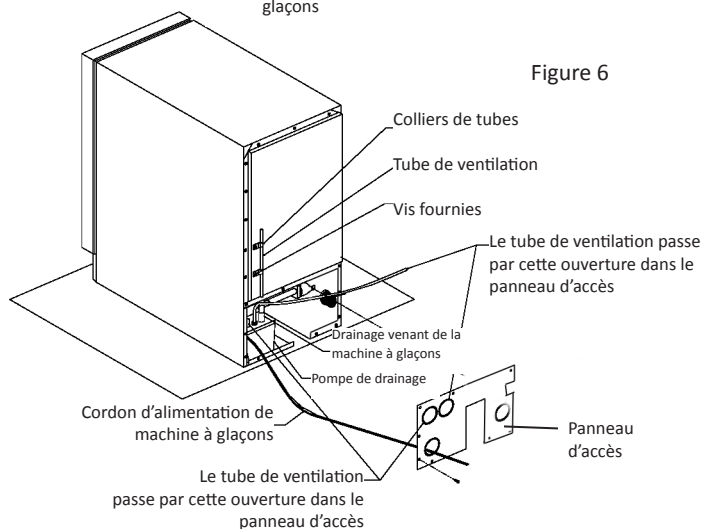
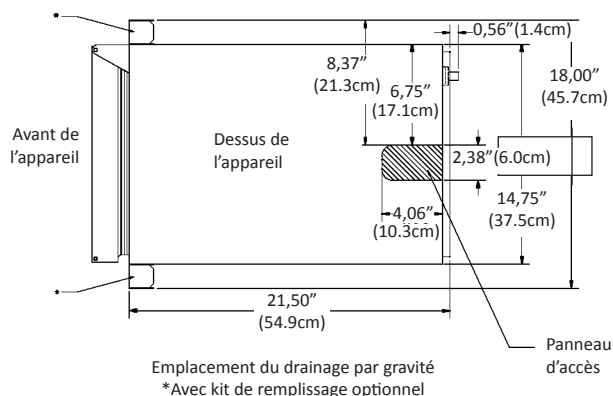


Figure 6

### Entretien

Les points suivant sont à passer en revue sur une base régulière :

1. Contrôlez que la conduite de ventilation est ouverte, exempte de pincements/coudes serrés, afin que l'air circule librement depuis le réservoir de pompe.
2. Contrôlez que le tube d'évacuation est exempt de toute matière étrangère (algues, etc.) et n'a pas de pincements/coudes serrés. Confirmez que le clapet anti retour fonctionne bien en observant que l'écoulement d'eau n'a lieu que dans une seule direction – en sortant de la pompe. Démontez et nettoyez si nécessaire.



Emplacement du drainage par gravité  
\*Avec kit de remplissage optionnel

Figure 7

# POMPE DE DRAINAGE

---

## **Dépannage (pompe de drainage installée sur le site)**

AVIS : Si le **réservoir de la pompe de drainage** (et non le bac de la machine à glaçons) arrive à un état de débordement, il faut couper l'alimentation de la machine à glaçons.

Si la machine à glaçons ne fonctionne pas, vérifiez ce qui suit :

- Assurez-vous que la tension secteur est bien présente sur la prise.
- Assurez-vous que la machine à glaçons est bien mise en marche.
- Assurez-vous que le bac à glaçons n'est pas déjà plein.

Puis vérifiez la pompe de drainage :

Si la pompe ne fonctionne pas :

- Assurez-vous que la pompe est bien branchée et qu'il y a une tension sur la prise.
- Vérifiez s'il y a des débris au tamis d'arrivée de pompe de drainage, et nettoyez-le si nécessaire. Enlevez les attaches et le tube d'arrivée de la pompe de drainage pour la vérification et l'élimination des débris.
- Contrôlez que la conduite de ventilation est exempte de pincements/coudes serrés ou de bouchage.
- Assurez-vous qu'il y a assez d'eau pour activer la pompe de drainage. Il faut au moins une pinte d'eau pour activer la pompe de drainage.

La pompe tourne, mais il n'y a pas d'eau évacuée :

- Contrôlez que la ventilation est libre et exempte de bouchages.
- Contrôlez la conduite d'évacuation pour être sûr qu'elle n'est pas obstruée.
- Assurez-vous que cette conduite d'évacuation n'a pas dépassé l'élévation maximale de 2,4 m, et que son tronçon horizontal ne dépasse pas 6 m.

La pompe tourne puis s'arrête rapidement de façon répétitive :

- Contrôlez pour vous assurer que la pompe de drainage est de niveau.
- Contrôlez que la ventilation est libre et exempte de bouchages.

La machine est en marche mais ne produit pas de glaçons :

- Contrôlez que l'eau n'est pas en train de revenir dans le bac à glaçons

## BRANCHEMENT DE L'ARRIVÉE D'EAU

### Alimentation en eau

La machine à glaçons doit être branchée sur une conduite ouverte d'arrivée d'eau potable froide, envoyant de l'eau sous une pression minimale de 20 psi et maximale de 120 psi.

- Le branchement de l'eau doit se faire par un raccord de tuyau d'arrosage à angle droit fourni avec la machine à glaçons. Voyez la Figure 9 pour des instructions détaillées. N'UTILISEZ AUCUN PRODUIT POUR ÉTANCHÉITÉ DE FILETAGES.
- Un filtre à eau peut être utilisé avec cet appareil. Un filtre de qualité peut aider à éliminer des particules, ainsi qu'à enlever un goût ou une odeur désagréables de l'eau.
- N'UTILISEZ PAS UN DISPOSITIF DE FILTRAGE "À OSMOSE INVERSE".
- Un adoucisseur d'eau n'est pas recommandé. Cela produirait des cubes de glace tendres et laiteux qui se colleraient ensemble.
- L'utilisation d'eau désionisée n'est pas recommandée. Ce type d'eau ne formerait pas de cubes de glace solides.
- Un spécialiste en eaux peut recommander un traitement approprié de l'eau locale.
- Quand vous raccordez une conduite d'eau à cet appareil, un robinet de coupure intercalé est recommandé. REMARQUE : N'UTILISEZ PAS DE ROBINET DE TYPE AUTO-PERCEUR.
- Après le raccordement de la conduite d'arrivée d'eau, ouvrez l'alimentation en eau et vérifiez l'absence de fuites. Un serrage supplémentaire peut s'avérer nécessaire.
- Laissez un excédent de conduite d'eau pour les installations intégrées, afin de faciliter le dégagement de l'appareil et pour empêcher un coude brusque de conduite.

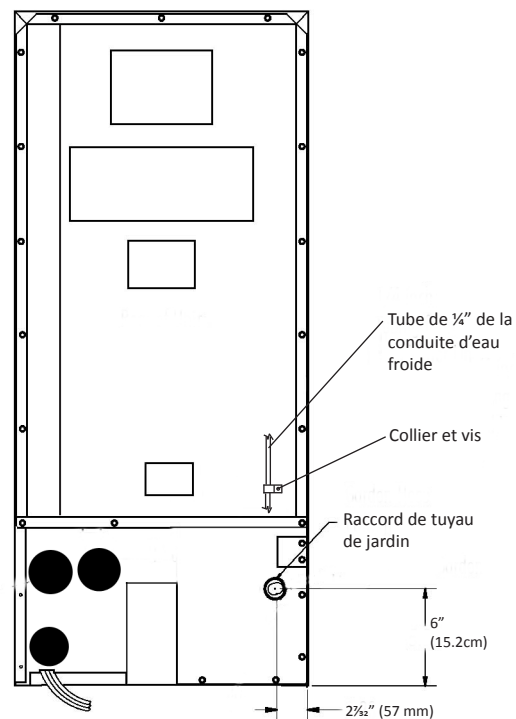


Figure 8

La machine à glaçons est conçue pour produire de la glace transparente depuis la majorité des sources d'eau sur une base quotidienne. Si vos résultats ne sont pas satisfaisants, votre eau peut avoir besoin d'être filtrée ou traitée en amont.

Fixez la conduite d'arrivée d'eau sur l'arrière de l'armoire avec la vis et le collier fournis à l'angle du panneau arrière (Voir la Figure 8).

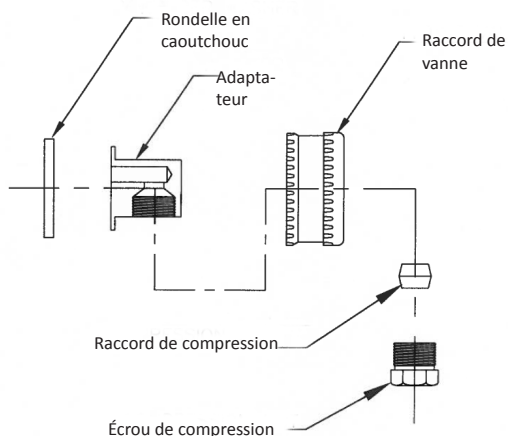
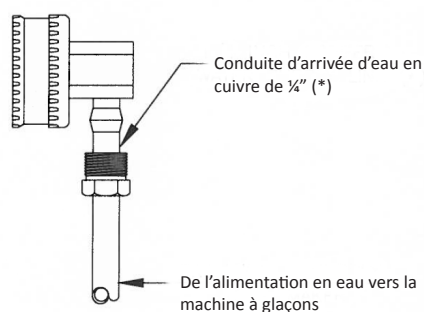


Figure 9

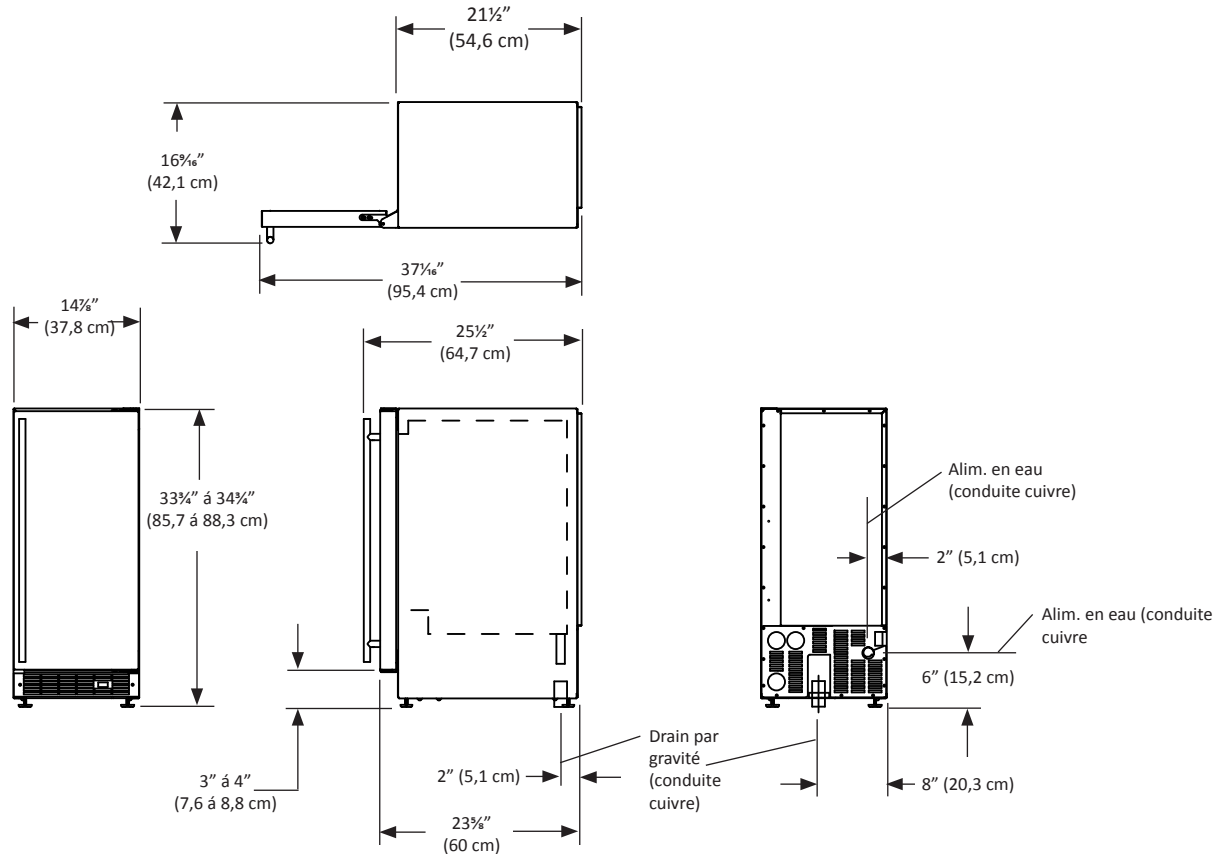
### REMARQUE

Le raccord de conduite d'eau fourni avec votre machine à glaçons n'est à utiliser seulement qu'avec une conduite d'arrivée d'eau en cuivre de 1/4 de pouce. Ne fixez pas une conduite d'arrivée d'eau en plastique en utilisant ce raccord.

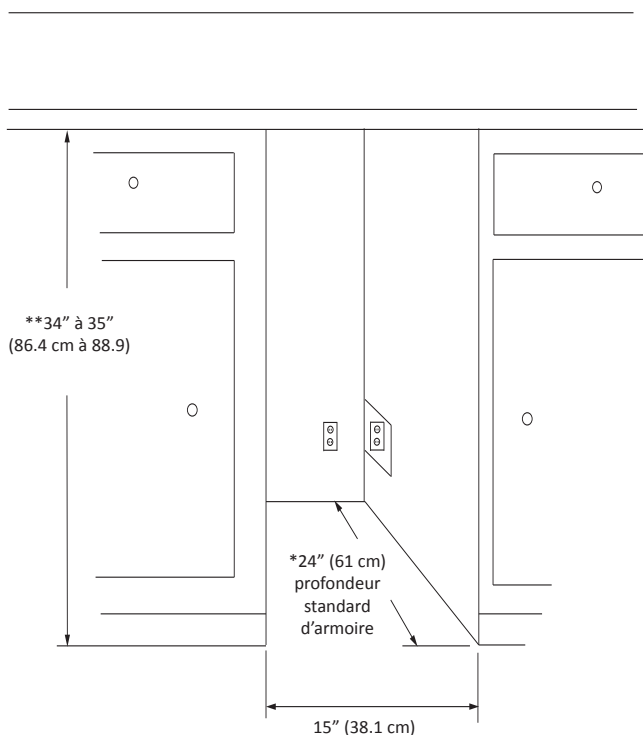


(\*) Fournie par le client

## DIMENSIONS POUR PORTE PLEINE DE 30IMT



## DIMENSIONS BRUTES D'OUVERTURE RECOMMANDÉES POUR PORTE PLEINE DE 30IMT



### ⚠ ATTENTION

Besoins électriques : Un circuit secteur dédié en 115 V supportant 15 A est nécessaire. Une prise avec protection GFCI peut être nécessaire avec les modèles pour extérieur.

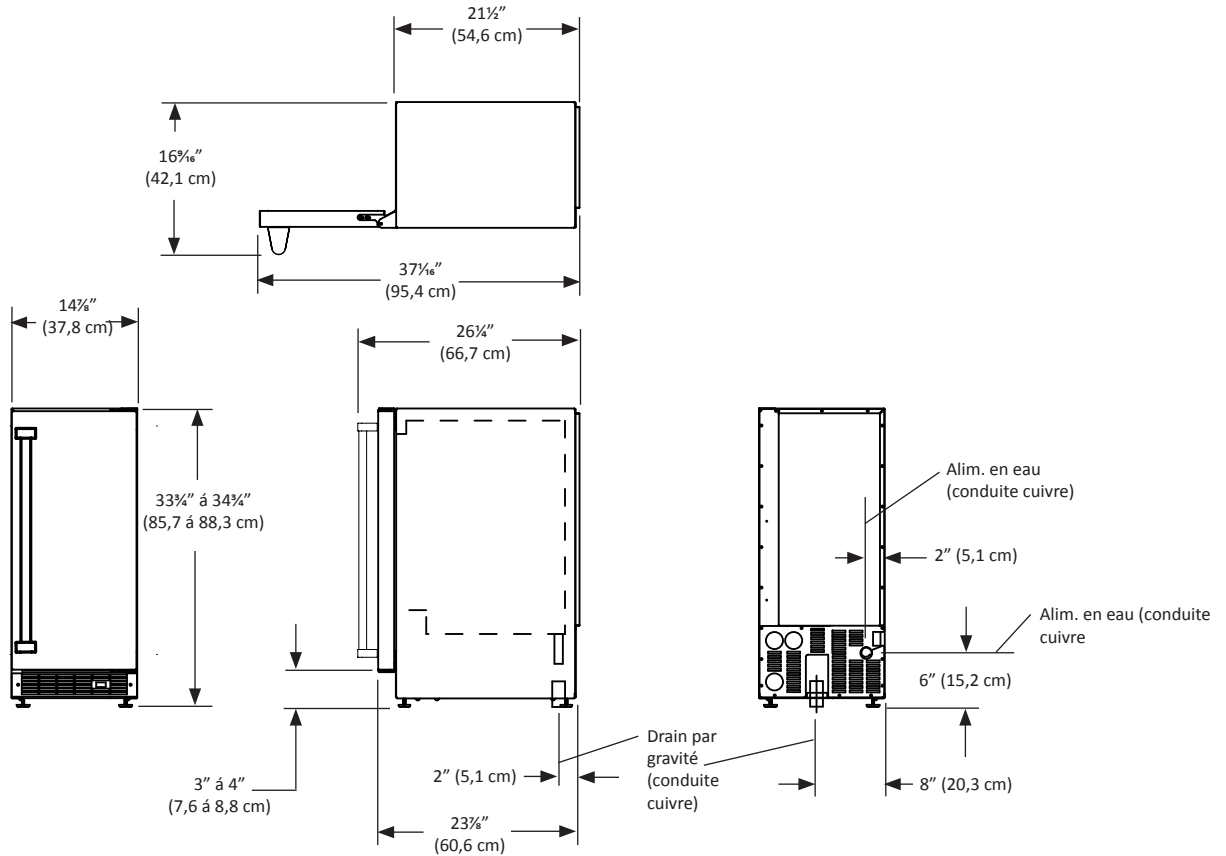
La prise secteur peut être située sur la cloison murale derrière l'appareil. Ajoutez 1 pouce (2,5 cm) pour l'épaisseur de la fiche, ou encastrez la prise de cette profondeur dans la cloison. La prise secteur peut aussi être installée dans un meuble adjacent, avec une découpe pour faire passer le cordon secteur. Appliquez toutes les normes de construction locales à l'installation de l'électricité et de l'appareil.

Poids de l'appareil = 100 lbs. (45,5 kg)

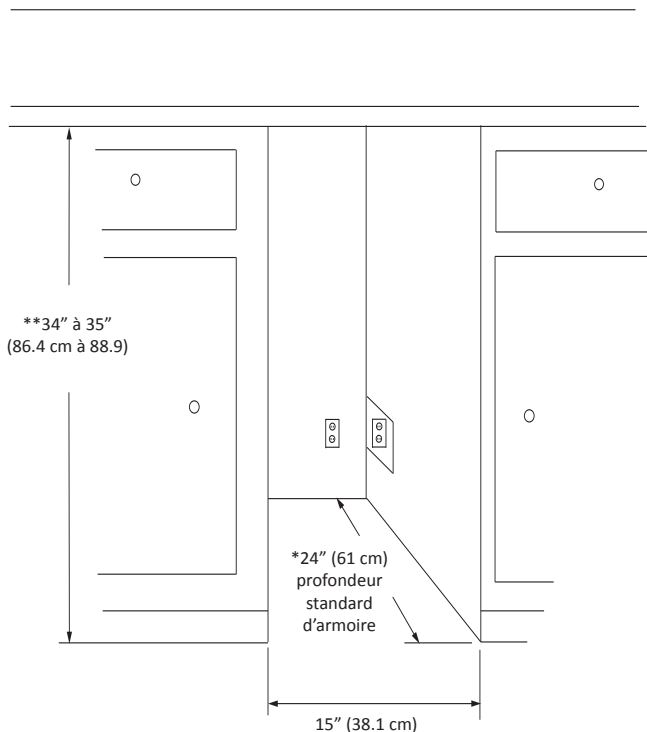
\* La dimension en profondeur peut varier selon chaque installation individuelle

\*\* Minimum rugueuse à l'ouverture requise est d'être supérieure à la hauteur ajustée de l'armoire.

## DIMENSIONS POUR PORTE PLEINE DE 3OIMT AND MPRO3OIMT



## DIMENSIONS BRUTES D'OUVERTURE RECOMMANDÉES POUR PORTE PLEINE DE 3OIMT AND MPRO3OIMT



### ⚠ ATTENTION

Besoins électriques : Un circuit secteur dédié en 115 V supportant 15 A est nécessaire. Une prise avec protection GFCI peut être nécessaire avec les modèles pour extérieur.

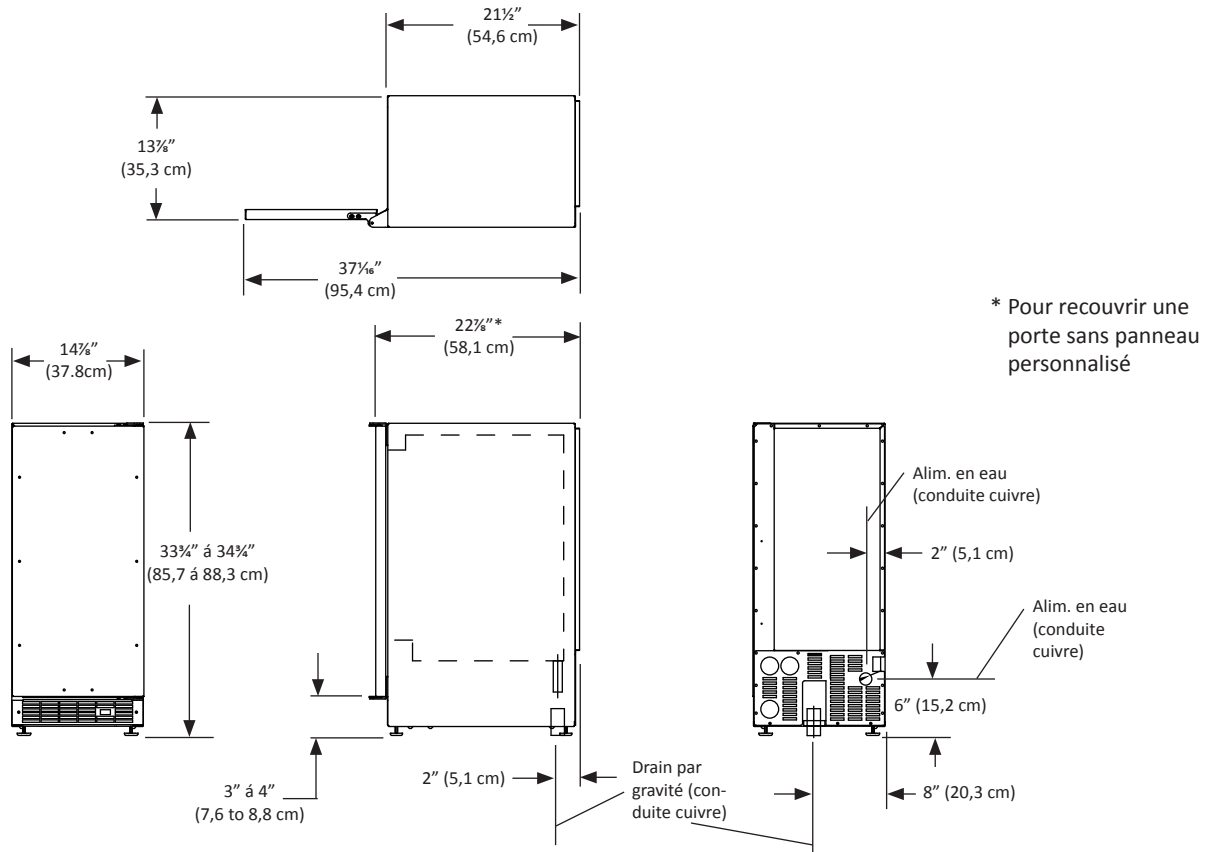
La prise secteur peut être située sur la cloison murale derrière l'appareil. Ajoutez 1 pouce (2,5 cm) pour l'épaisseur de la fiche, ou encastrez la prise de cette profondeur dans la cloison. La prise secteur peut aussi être installée dans un meuble adjacent, avec une découpe pour faire passer le cordon secteur. Appliquez toutes les normes de construction locales à l'installation de l'électricité et de l'appareil.

Poids de l'appareil = 100 lbs. (45,5 kg)

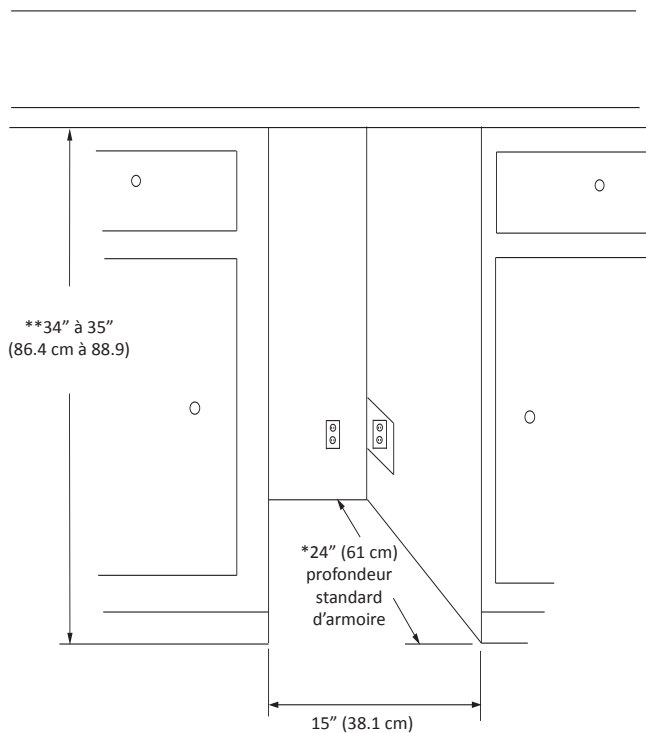
\* La dimension en profondeur peut varier selon chaque installation individuelle

\*\* Minimum rugueuse à l'ouverture requise est d'être supérieure à la hauteur ajustée de l'armoire.

## DIMENSIONS DE PORTE À REVÊTEMENT PLEIN DE 30IMT



## DIMENSIONS BRUTES D'OUVERTURE RECOMMANDÉES POUR PORTE PLEINE DE 30IMT



### ⚠ ATTENTION

Besoins électriques : Un circuit secteur dédié en 115 V supportant 15 A est nécessaire. Une prise avec protection GFCI peut être nécessaire avec les modèles pour extérieur.

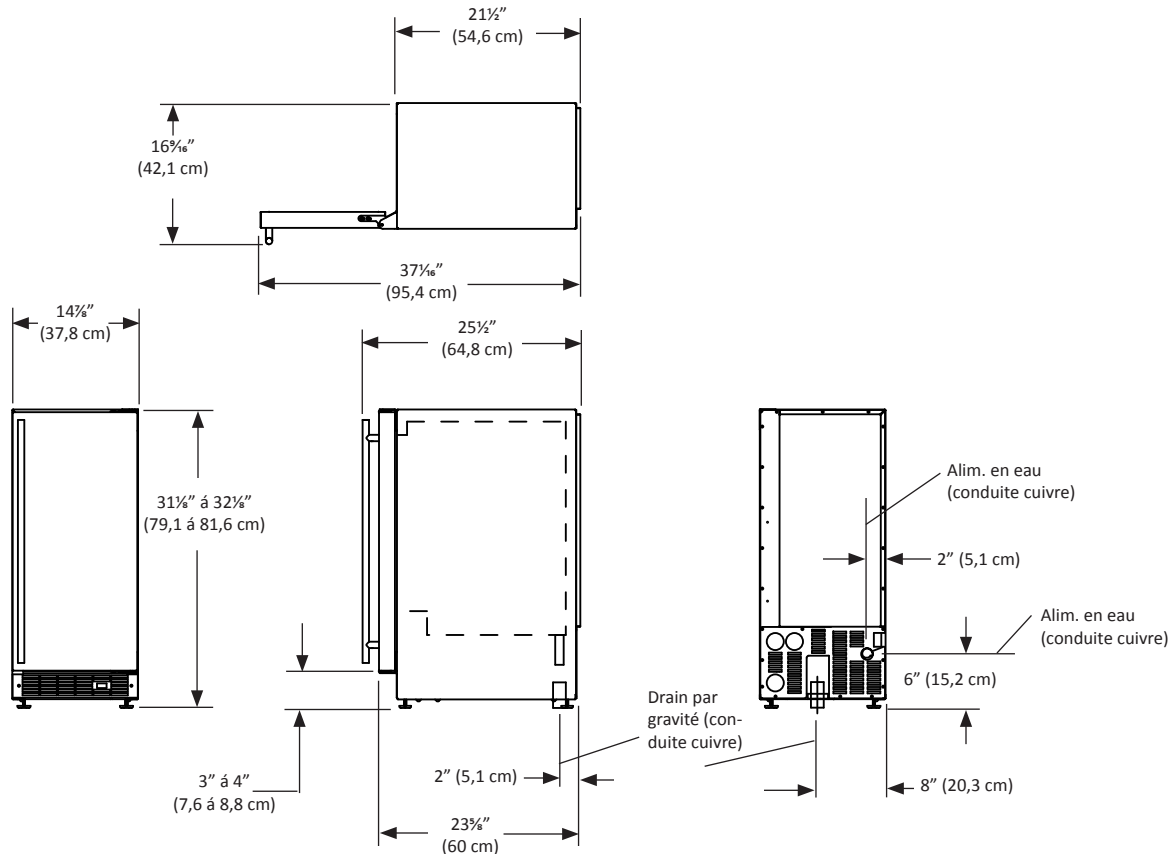
La prise secteur peut être située sur la cloison murale derrière l'appareil. Ajoutez 1 pouce (2,5 cm) pour l'épaisseur de la fiche, ou encastrez la prise de cette profondeur dans la cloison. La prise secteur peut aussi être installée dans un meuble adjacent, avec une découpe pour faire passer le cordon secteur. Appliquez toutes les normes de construction locales à l'installation de l'électricité et de l'appareil.

Poids de l'appareil = 100 lbs. (45,5 kg)

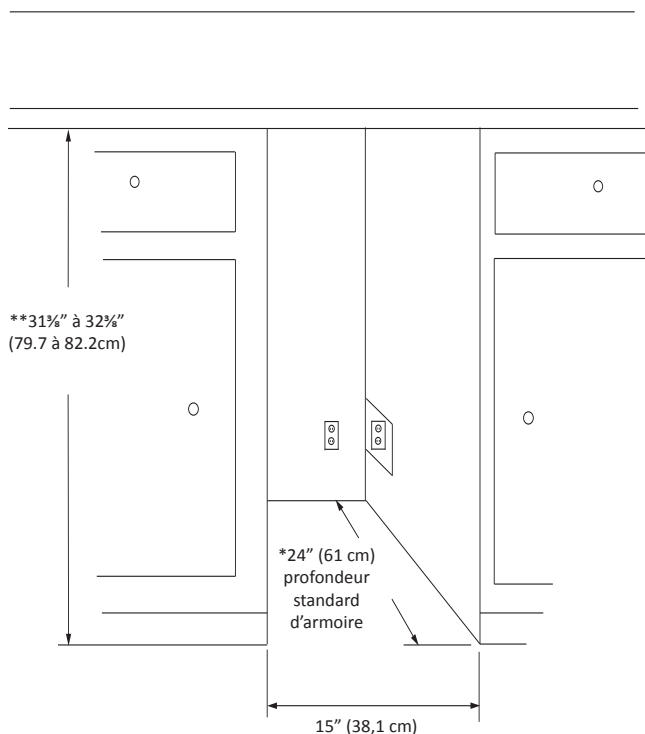
\* La dimension en profondeur peut varier selon chaque installation individuelle

\*\*Minimum rugueuse à l'ouverture requise est d'être supérieure à la hauteur ajustée de l'armoire.

## DIMENSIONS DE PORTE PLEINE POUR 30IMAT



## DIMENSIONS BRUTES D'OUVERTURE RECOMMANDÉES POUR PORTE PLEINE DE 30IMAT



### ⚠ ATTENTION

Besoins électriques : Un circuit secteur dédié en 115 V supportant 15 A est nécessaire. Une prise avec protection GFCI peut être nécessaire avec les modèles pour extérieur.

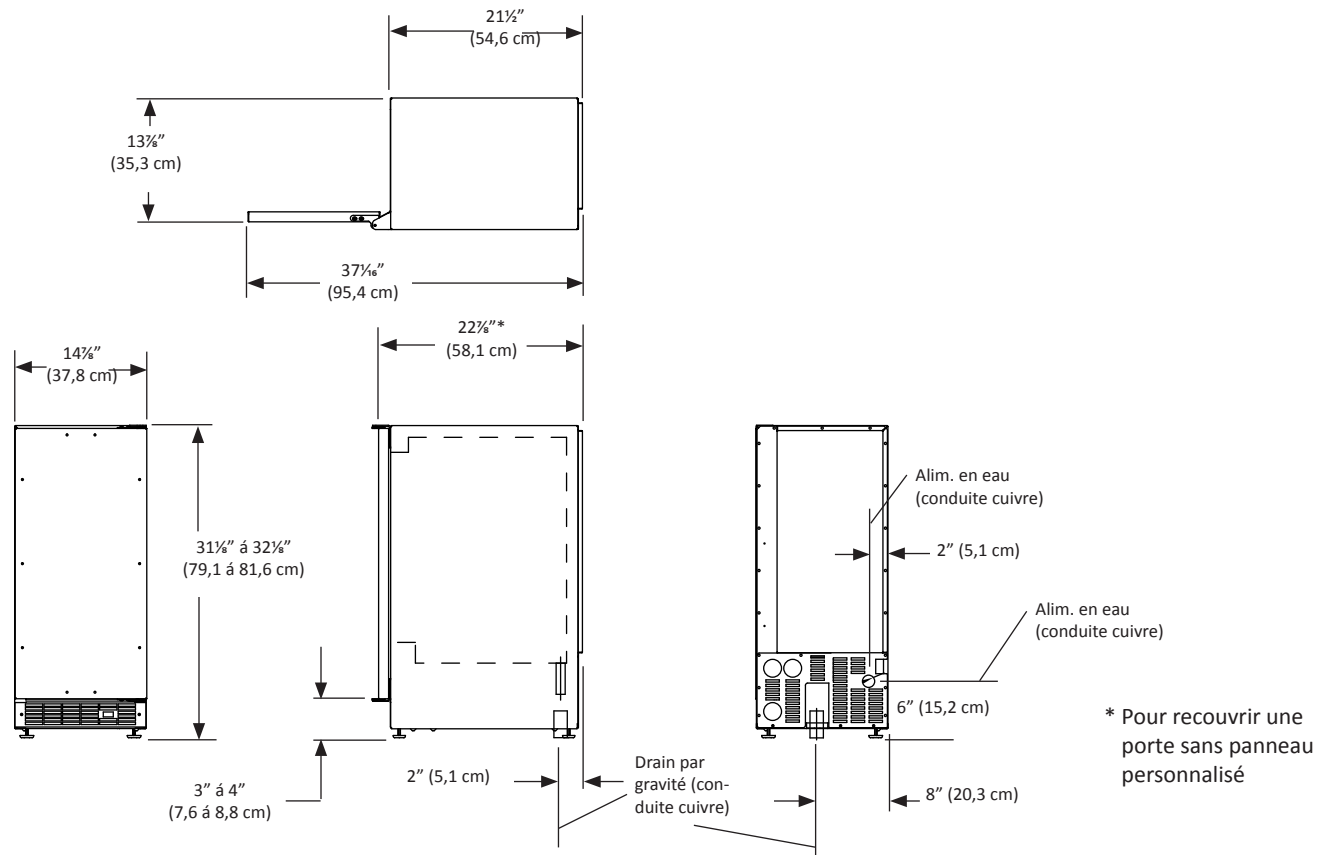
La prise secteur peut être située sur la cloison murale derrière l'appareil. Ajoutez 1 pouce (2,5 cm) pour l'épaisseur de la fiche, ou encastrez la prise de cette profondeur dans la cloison. La prise secteur peut aussi être installée dans un meuble adjacent, avec une découpe pour faire passer le cordon secteur. Appliquez toutes les normes de construction locales à l'installation de l'électricité et de l'appareil. Poids de l'appareil = 100 lbs. (45,5 kg)

\* La dimension en profondeur peut varier selon chaque installation individuelle

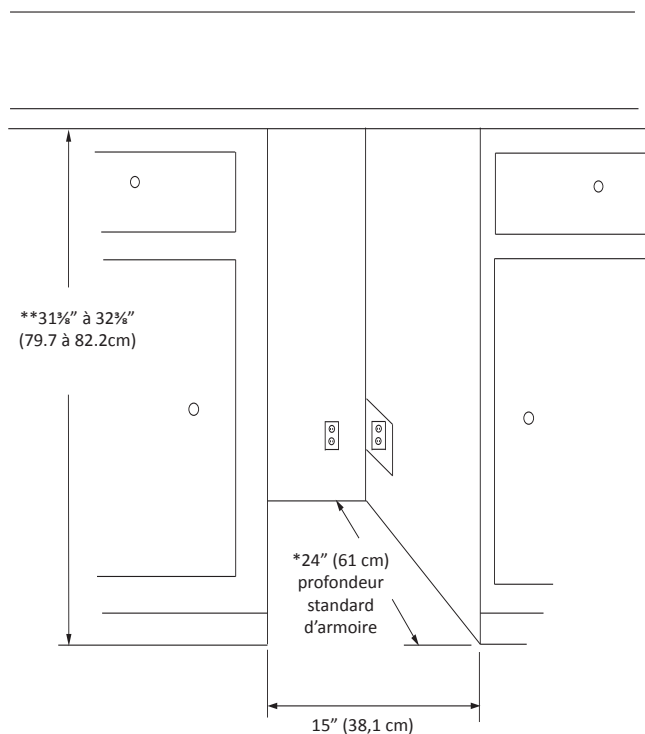
\*\* Minimum rugueuse à l'ouverture requise est d'être supérieure à la hauteur ajustée de l'armoire.



## DIMENSIONS DE PORTE À REVÊTEMENT PLEIN DE 30IMAT



## DIMENSIONS BRUTES D'OUVERTURE RECOMMANDÉES POUR PORTE À REVÊTEMENT PLEIN DE 30IMAT



### ⚠ ATTENTION

Besoins électriques : Un circuit secteur dédié en 115 V supportant 15 A est nécessaire. Une prise avec protection GFCI peut être nécessaire avec les modèles pour extérieur.

La prise secteur peut être située sur la cloison murale derrière l'appareil. Ajoutez 1 pouce (2,5 cm) pour l'épaisseur de la fiche, ou encastrez la prise de cette profondeur dans la cloison. La prise secteur peut aussi être installée dans un meuble adjacent, avec une découpe pour faire passer le cordon secteur. Appliquez toutes les normes de construction locales à l'installation de l'électricité et de l'appareil. Poids de l'appareil = 100 lbs. (45,5 kg)

\* La dimension en profondeur peut varier selon chaque installation individuelle

\*\* Minimum rugueuse à l'ouverture requise est d'être supérieure à la hauteur ajustée de l'armoire.

# INSTRUCTIONS D'INSTALLATION DE PANNEAU DE REVÊTEMENT COMPLET

## ⚠ ATTENTION

### Étape 1 : Vérification de l'alignement de porte

Vérifiez que la porte est correctement alignée par rapport à l'armoire avant de fabriquer le panneau sur mesures. Sinon cela peut amener un désalignement du panneau sur mesures avec le support de charnière. La porte doit être parallèle avec les côtés et le dessus de l'armoire. Si un alignement est nécessaire, la porte peut être ajustée en desserrant les deux vis qui tiennent les supports d'adaptateur de charnière supérieure et/ou inférieure, situées en haut et en bas de la porte, et en réglant la porte d'un côté par rapport à l'autre. Utilisez une clé Allen de  $\frac{1}{2}$ " pour cette procédure (Voir la Figure 10 ci-dessous). Quand l'alignement de porte est terminé, resserrez bien ces vis.

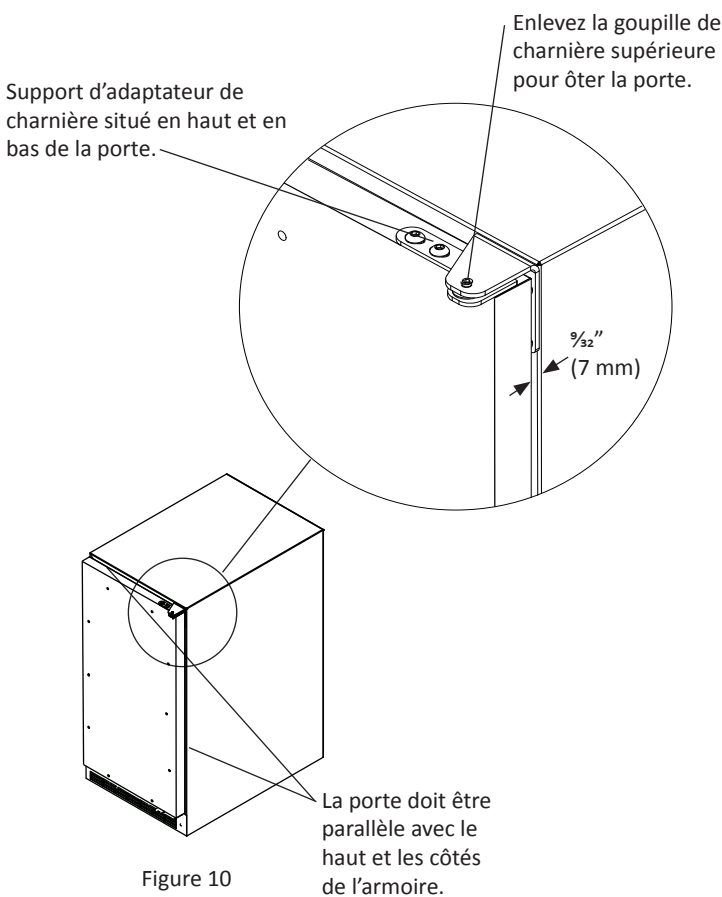


Figure 10

### Étape 2 : Démontage de la porte

Enlevez la goupille de charnière supérieure avec une clé Allen de  $\frac{1}{8}$ ". Enlevez la porte en inclinant sa partie haute vers l'extérieur et en la soulevant pour la sortir de la charnière inférieure (Voir le détail en Figure 10).

### Étape 3 : Enlèvement de joint

Posez la porte sur sa face avant en faisant attention de ne pas la rayer. Pour avoir accès aux trous de vis de montage, enlevez le joint de porte en le tirant pour le sortir de sa rainure.

### Étape 4 : Découpe du panneau de revêtement

Selon le modèle de machine à glaçons, découpez le panneau de revêtement aux dimensions montrées en Figure 11 et le Tableau A qui suivent.

## REMARQUE

Pour un revêtement avec option de verrouillage, l'épaisseur de panneau doit faire  $\frac{3}{4}$ " (19 mm) au maximum et  $\frac{5}{8}$ " (16 mm) au minimum.

## ⚠ ATTENTION

Le poids du panneau de revêtement ne doit pas dépasser 20 lbs. (9,1 kg).

## REMARQUE

Pour que la porte se ferme correctement, il est nécessaire de garder un espace de  $\frac{1}{32}$ " (7 mm) au minimum entre la porte et le rebord de l'armoire (Voir la Figure 10). Cet espace peut se régler en ajustant les supports d'adaptateur de charnière en haut et en bas.

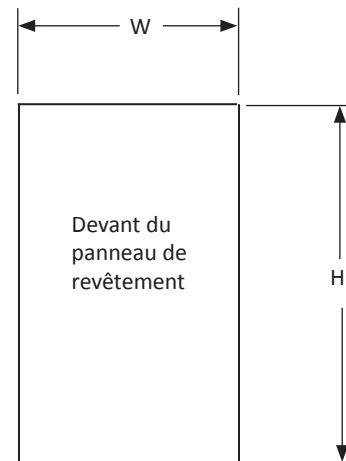


Figure 11

Modèle	W	H
30iMT	14 $\frac{1}{8}$ " (37,1 cm)	30 $\frac{1}{8}$ " (77,0 cm)
30iMAT	14 $\frac{1}{8}$ " (37,1 cm)	27 $\frac{1}{8}$ " (70,3 cm)

Tableau A

### Étape 5 : Percez des trous de passage dans le panneau de revêtement

Posez le panneau de revêtement sur la face avant de la porte, alignez les bords et maintenez les deux ensemble. Maintenez fermement le panneau faites attention de ne pas abîmer la porte ou le panneau. Marquez le centre du trou d'adaptateur de charnière sur le panneau en bois, en haut et en bas (Voir la Figure 12). Enlevez le panneau en bois de la porte et percez des trous de passage de diamètre  $\frac{3}{16}$ " (8 mm) dans le panneau sur une profondeur de  $\frac{3}{4}$ " (20 mm). Ce seront les trous de passage pour les tiges de charnière du haut et du bas.

C'est également le bon moment pour localiser et percer les trous de votre poignée. Le plus souvent cette poignée doit être similaire à celles du mobilier environnant. Si votre poignée se fixe depuis la face arrière du panneau personnalisé, localisez les trous de montage pendant que le panneau est maintenu sur la porte et l'armoire.

# INSTRUCTIONS D'INSTALLATION DE PANNEAU DE REVÊTEMENT COMPLET

Une fois le panneau retiré de la porte, percez les trous de montage depuis la face avant, au diamètre recommandé par le fabricant de poignée. Fraisez sur la face arrière du panneau de façon à ce que les têtes de vis n'interfèrent pas avec la surface de la porte.

Type de matériau	Vis à bois #8
Bois dur	Avant trou $\varnothing \frac{1}{8}$ " (3,2 mm)
Bois tendre	Avant trou $\varnothing \frac{3}{64}$ " (2,8 mm)

Tableau B

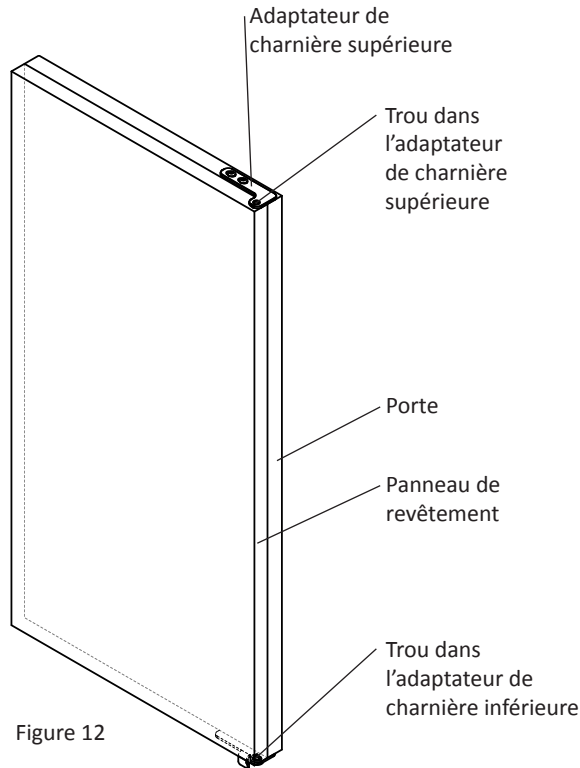


Figure 12

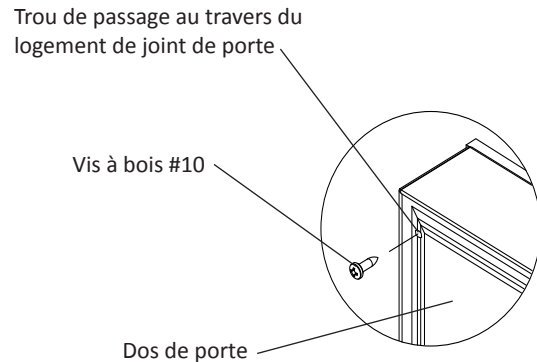


Figure 13

### Étape 6 : Percez les trous de montage du panneau

Maintenez à nouveau le panneau sur la porte comme à l'étape précédente et percez les avant-trous de vis, situés dans le canal de joint, afin de fixer le panneau de revêtement à la porte. Choisissez la taille du trou à partir du Tableau B. Veillez à ne pas percer ces avant-trous en traversant le panneau de revêtement,  $\frac{1}{2}$ " (12,7 mm) de profondeur pour des panneaux de  $\frac{3}{4}$ " (19 mm) et  $\frac{5}{8}$ " (15,7 mm).

### Étape 7 : Fixez le panneau de revêtement sur la porte

Avec les vis à bois #10 fournies, fixez le panneau de revêtement sur la porte (Voir la Figure 13).

### Étape 8 : Installez le joint de porte

Pressez le joint de porte dans le logement de la porte. Assurez-vous que les coins de joint sont bien insérés. Si c'est applicable, insérez une clé dans le verrou et vérifiez son bon fonctionnement.

### Étape 9 : Installez la porte

Remettez les douilles d'adaptateur de charnière du haut et du bas (ôtées à l'étape 6) en place dans les adaptateurs de charnière. Installez la porte en inversant la procédure de l'étape 2. Remettez la goupille de charnière du haut de façon à ce que la tête de vis soit au niveau de la surface supérieure de la charnière. Si c'est applicable, insérez une clé dans le verrou et vérifiez si la came de verrouillage accroche correctement l'étrier de retenue sur l'avant de l'armoire.

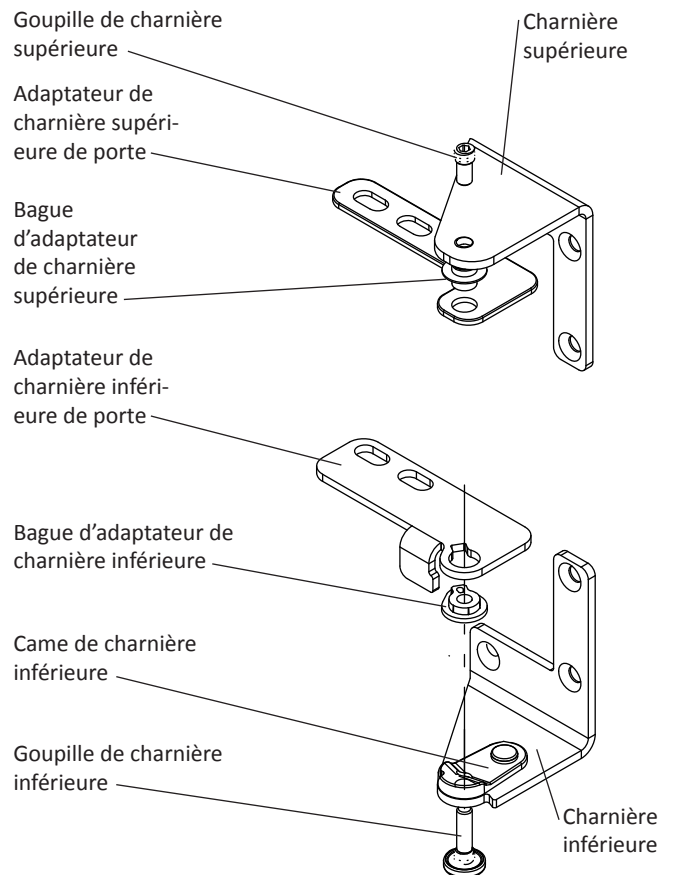


Figure 14  
Charnière montrées  
du côté droit

## FONCTIONNEMENT, ENTRETIEN ET NETTOYAGE DE VOTRE MACHINE À GLAÇONS

### Utilisation (Mise en marche de la machine à glaçons)

Une fois que les liaisons de drainage et d'alimentation en eau sont réalisées, et que la machine à glaçons est en place et mise de niveau, branchez son cordon d'alimentation. Passez ce commutateur en position de marche (ON) pour démarrer la machine à glaçons. L'interrupteur est placé sur la grille frontale, consultez la Figure 16 pour situer cet emplacement.

### La glace processus de prise de

Votre machine à glaçons est unique pour la façon dont sa glace est formée par gel fractionnel, afin de constituer une plaque de glace transparente comportant moins de minéraux que l'eau servant à la produire. C'est réalisé en faisant couler de l'eau sur la plaque froide d'évaporateur consultez la Figure 15, qui gèle graduellement l'eau afin de produire une plaque de glace. Les dépôts minéraux sont laissés dans le réservoir.

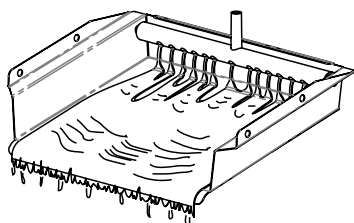


Figure 15

Quand la plaque de glace atteint la bonne épaisseur, la feuille de glace est relâchée et glisse sur la grille de découpe (Voir la Figure 17). Là, la plaque de glace est découpée en cubes par les fils chauffés de la grille de coupe (Voir la Figure 18). L'eau contenant les minéraux rejetés est drainée après chaque cycle de congélation. De l'eau fraîche entre dans la machine pour le cycle suivant de fabrication de glaçons.

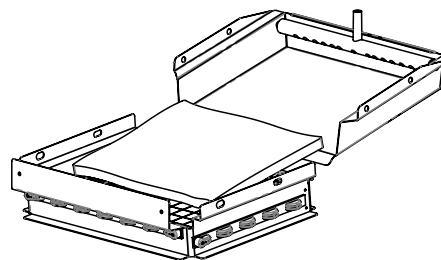


Figure 17

La machine continuera de produire des glaçons jusqu'à ce que son bac soit plein, et redémarrera automatiquement quand il faudra regarnir ce bac en glaçons. Le bac à glaçons n'est pas réfrigéré, et il peut se produire un peu de fonte. Laissez tourner 24-48 heures votre machine à glaçons pour accumuler des glaçons dans son bac.

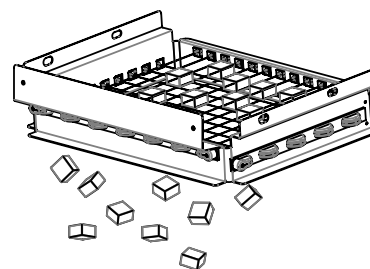


Figure 18

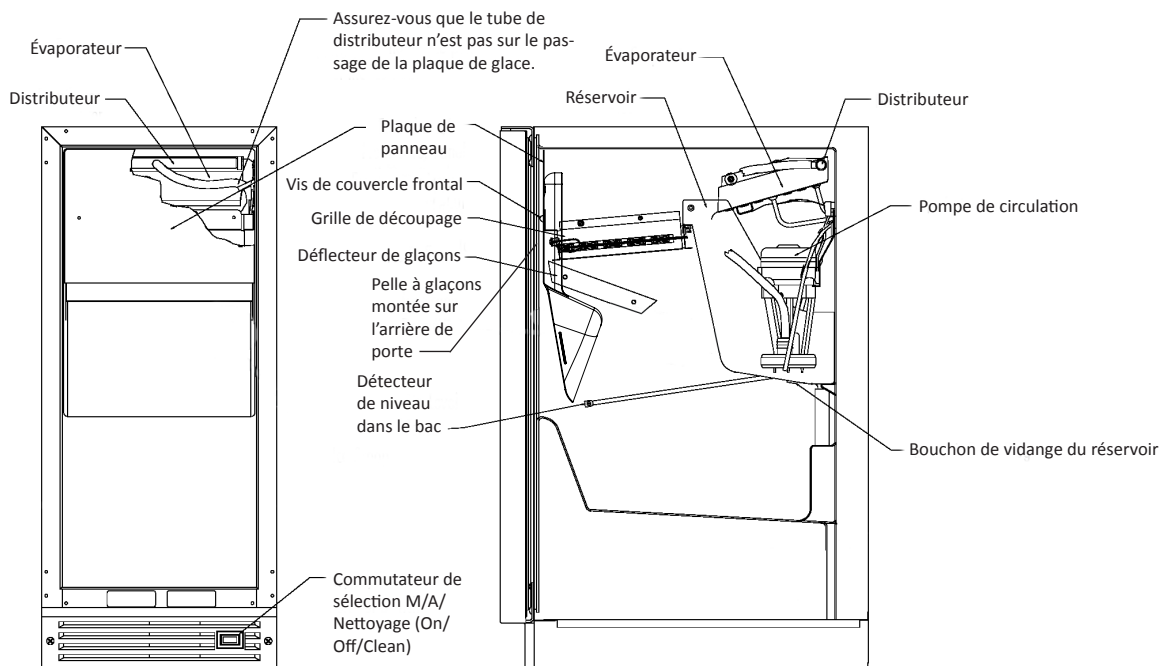


Figure 16

## FONCTIONNEMENT, ENTRETIEN ET NETTOYAGE DE VOTRE MACHINE À GLAÇONS

Le capteur de niveau de glaçons est situé dans le bac, il détecte quand la fourniture de glaçons est faible et lance ou arrête la fabrication de glaçons en conséquence.

### REMARQUE

Si l'arrivée d'eau à la machine à glaçon est coupée, placez la commande sur « OFF »

### Production de glaçons

Votre appareil va produire environ 13,5 kg de glaçons par période de 24 heures quand elle est installée dans une ambiance à 70°F (21,1 °C) avec une alimentation en eau à 55°F (12,8 °C).

### REMARQUE

Au tout début de la production, les glaçons fabriqués et accumulés dans le bac vont évoluer de façon sensible. C'est le fonctionnement normal. Durant les premières 24 heures de fonctionnement l'appareil va bien produire environ 13,5 kg de glaçons aux conditions de température précédemment mentionnées, mais en démarrant avec un bac à glaçons vide l'accumulation effective dedans ne sera que de 8 kg de glaçons. Par conception le bac à glaçons est maintenu à une température légèrement au-dessus de zéro pour permettre que les glaçons accumulés fondent lentement, afin de préserver la clarté et assurer une fourniture constante de glaçons récents. Au fur et à mesure de l'accumulation de glaçons dans le bac, le taux de production va dépasser la perte par fusion, et la pleine capacité du bac sera remplie.

### Sonorités nouvelles

La machine à glaçons va générer des sons qui sont différents de ceux de votre réfrigérateur domestique. Comme ces sons sont nouveaux pour vous, ils peuvent vous inquiéter, mais ils sont probablement normaux. Des glaçons tombant sur une surface dure ou de l'eau tombant en cascade au travers de l'évaporateur peuvent produire des sons qui vous semblent plus forts qu'ils ne le sont. Voici-quelques uns des sons que vous pourriez entendre :

Un son vibrant sera perçu quand la vanne d'eau s'ouvre pour remplir le réservoir d'eau.

Vous pouvez entendre un bruit de crécelle pouvant être dû à un écoulement dans la conduite d'eau.

Un bruit d'éclaboussement peut être entendu quand de l'eau est envoyée sur la plaque d'évaporateur et dans le réservoir d'eau.

Quand la plaque de glace est libérée de la plaque d'évaporateur, vous pouvez percevoir un bruit sourd quand elle glisse sur la grille de découpe.

À la fin du cycle de fabrications de glaçons, vous pouvez entendre un gargouillement venant du réfrigérant passant dans la machine à glaçons.

Quand le ventilateur du condenseur tourne vous pouvez percevoir le son de l'air qui circule autour du condenseur.

### Entretien de la machine à glaçons

1. Évitez de vous appuyer sur la porte de l'armoire. Vous pourriez déformer sa charnière ou faire basculer l'appareil.
2. Faites attention quand vous balayez, aspirez ou passez la vadrouille près de l'avant de l'appareil. Vous pourriez endommager la grille et/ou le commutateur de sélection.
3. Nettoyez périodiquement les composants et la surface à l'intérieur de la machine à glaçons.
4. Si votre machine à glaçons a sa porte et/ou son armoire en acier inox, pour maintenir au mieux son éclat nous recommandons d'y appliquer périodiquement un produit de nettoyage puis un produit de polissage, spéciaux pour l'acier inox. C'est particulièrement important pour les applications à l'extérieur et les environnements avec air salin.

### Nettoyage de la machine à glaçons

Les accumulations de saleté seront à enlever de la machine à glaçons car elles se colleront sur ses pièces au fil du temps. Ces dépôts doivent être éliminés pour une production correcte des glaçons, pour la qualité de la glace et pour la durée de service de la machine. Votre machine à glaçons comporte un mode de nettoyage qui aidera à éliminer ces impuretés.

Les dépôts d'impuretés devront être nettoyés régulièrement (une fois par an au minimum) selon l'intensité d'utilisation et la dureté de l'eau. Servez-vous d'un nettoyant pour machine à glaçons inoffensif sur le nickel, incluant sans y être limité les marques qui suivent. Ces nettoyants pour machines à glaçons sont disponibles chez la plupart des revendeurs, ou directement sur la toile sur le site de leurs fabricants.

Nettoyant Kirby pour machine à glaçons, certifié 100 % sans risques sur le nickel

Nettoyant Nu-Calgon pour machine à glaçons sans risques sur le nickel  
Nettoyant Franklin Machine Products pour machine à glaçons sans risques sur le nickel

### Procédure de nettoyage de la machine à glaçons :

1. Passez l'interrupteur sur la position d'arrêt (OFF).
2. Enlevez tous les glaçons du bac.
3. Déposez le panneau frontal en ôtant les 2 vis (Voir la Figure 19).

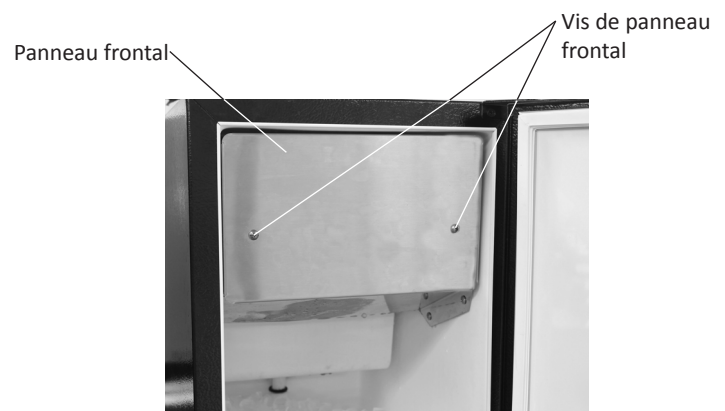
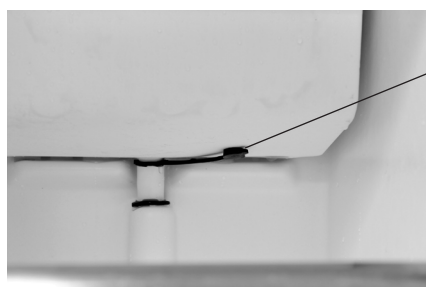


Figure 19

## FONCTIONNEMENT, ENTRETIEN ET NETTOYAGE DE VOTRE MACHINE À GLAÇONS

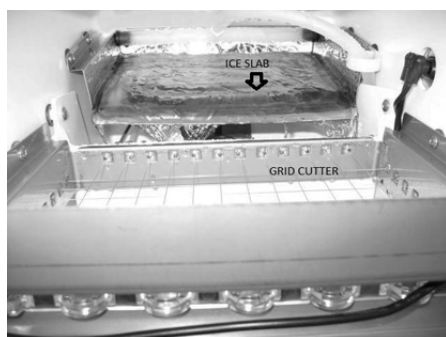
4. Enlevez le bouchon de vidange au fond du réservoir pour éliminer tout ce qui reste d'eau, puis remettez-le en place.



Bouchon de vidange au fond du réservoir

Figure 20

5. Laissez la glace tomber de l'évaporateur, enlevez et jetez la plaque de glace (Voir les Figures 21 et 22).



Laissez la plaque de glace tomber sur la grille de découpe

Figure 21

Enlevez la plaque de glace et jetez-la



Figure 22

6. Déterminez la bonne quantité de produit nettoyant en fonction des instructions de son fabricant pour un mélange adéquat sur la base de 3/4 de gallon (2,81 litres) (reportez-vous aux instructions de mélange du fabricant). Ajoutez la solution de nettoyage à la concentration recommandée dans le réservoir de la machine à glaçons. Cela peut se faire en versant la solution sur l'évaporateur, pour qu'elle retombe dans le réservoir (Voir la Figure 23).



Figure 23

7. Passez le commutateur de la grille de la machine à glaçons sur la position de nettoyage (CLEAN). La machine à glaçons va démarrer et arrêter automatiquement le cycle de nettoyage, et 3/4 de gallon (2.81 litres) d'eau seront automatiquement ajoutés à la solution de nettoyage.
8. La durée totale du nettoyage sera de 49 minutes. Le cycle de nettoyage rincera automatiquement la plaque d'évaporateur, drainera la solution nettoyante, et rincera finalement à l'eau fraîche le réservoir.
9. Une fois le cycle de nettoyage fini, vérifiez que tout dépôt a été éliminé. La plaque d'évaporateur doit être propre, brillante et lisse au toucher. Si des dépôts restent décelables, refaites un cycle de nettoyage comme précédemment.
10. Nettoyez l'intérieur de la machine à glaçons, la pelle à glaçons, le panneau intérieur et le joint de porte avec une solution douce d'eau savonneuse. En utilisant une solution de deux cuillères à soupe de bicarbonate de soude dans une pinte d'eau tiède pour le nettoyage vous inhiberez les mauvaises odeurs. Rincez bien toutes les surfaces à l'eau potable.  
N'UTILISEZ AUCUN PRODUIT DE NETTOYAGE ABRASIF.
11. Remettez en place le panneau frontal.
12. Votre machine à glaçons est maintenant propre et assainie, vous pouvez la remettre en service en passant son commutateur de sélection sur la position de marche (ON).

### REMARQUE

Mettez au rebut le premier lot de glaçons.  
En cas improbable d'une coupure d'alimentation secteur durant un cycle de nettoyage, vous devrez redémarrer depuis le début pour assurer un nettoyage complet et un rinçage correct de l'agent de nettoyage de la machine.

## CONSEILS POUR L'ÉCONOMIE D'ÉNERGIE

---

### **Les suggestions générales suivantes vont minimiser le coût de fonctionnement de votre machine à glaçons.**

1. N'installez pas votre appareil près d'un autre appareil chaud (cuisinière, lave-vaisselle, etc.), d'une conduite d'air chaud, ou d'autres sources de chaleur.
2. Placez l'appareil à l'abri du rayonnement solaire direct.
3. Assurez-vous que les événements de la grille de plinthe devant l'appareil en bas de la porte ne sont pas obstrués et maintenus propres de façon à permettre une ventilation du système de refroidissement et chasser la chaleur.
4. Branchez votre appareil sur un circuit d'alimentation secteur dédié (Sans partage avec d'autres appareils).
5. Minimisez la fréquence et la durée des ouvertures de porte.
6. Réglez le contrôle en position d'arrêt (off) si le nettoyage de l'appareil nécessite que sa porte reste ouverte pour une période longue.

## INSTRUCTIONS D'INSTALLATION DU KIT DE PANNEAUX DE REMPLISSAGE (OPTIONNEL)

Ce kit de panneaux de remplissage ajoutera 3 pouces (7,5 cm) à la machine à glaçons pour son installation dans une niche de 18 pouces de large. Commandez l'un de ces numéros de pièce selon la couleur dont vous avez besoin :

N° 42242831 - Kit de panneaux de remplissage blancs

N° 42242832 - Kit de panneaux de remplissage noirs

N° 42242833 - Kit de panneaux de remplissage en acier inox

Le kit de panneaux de remplissage optionnel contient :

2 extensions pour armoire

2 extensions pour plaque de plinthe

6 vis de tôlerie de 6 #10 x 0,5"

Les outils suivants sont nécessaires :

Tournevis à pointe Phillips

Trusquin ou objet pointu

Perceuse et foret bien coupant de  $\frac{1}{8}$ "

Installation du kit de panneau de remplissage :

1. Maintenez une extension d'armoire sur un côté de l'appareil, en gardant ses trous de diamètre  $\frac{1}{2}$ " vers l'extérieur. Alignez le haut et l'avant de l'extension d'armoire avec le haut et l'avant de l'appareil. Marquez l'emplacement des trois trous avec le trusquin.
2. Percez aux emplacements marqués avec le foret de diamètre  $\frac{1}{8}$ ".  
**NE PERCEZ QUE JUSTE POUR TRAVERSER LA COUCHE EXTÉRIEURE DE L'ARMOIRE.** Ne percez pas au-delà sinon vous traverseriez jusqu'à l'intérieur de l'appareil.
3. Repositionnez l'extension d'armoire sur l'appareil et fixez-la en place avec 3 des vis de tôlerie. **NE SERREZ PAS CES VIS AVEC EXCÈS.**
4. Recommencez les étapes 1 à 3 pour l'extension de l'autre côté de l'appareil.
5. Enlevez les vis fixant la grille sur le bas de l'appareil. Glissez les extensions de plaque de plinthe derrière la grille comme c'est montré. Remettez les vis et serrez-les.

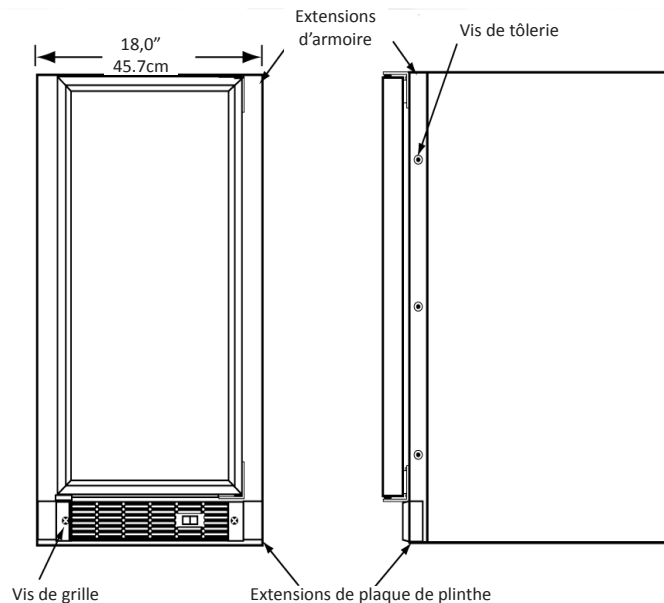


Figure 24



# GUIDE DE DÉPANNAGE

Avant d'appeler un prestataire de service, essayez les suggestions de dépannage suivantes.

## Fonctionnement de la machine à glaçons

### La machine à glaçons ne fonctionne pas

**Le cordon d'alimentation de la machine à glaçons est-il branché ?** Enfichez le cordon d'alimentation dans une prise secteur 3 broches reliée à la terre.

**Le commutateur de sélection sur la grille avant est-il en position de marche (ON) ?** Vérifiez le commutateur pour vous assurer qu'il est bien sur ON.

**Un fusible est-il grillé ou un disjoncteur a-t-il déclenché ?** Remplacez le fusible grillé ou réenclenchez le disjoncteur.

**La température dans la pièce est-elle plus basse que la normale ?** La température ambiante minimale est de 55°F (13 °C). La thermistance du bac peut détecter la température ambiante et couper la machine avant que le bac ne soit plein de glaçons. Si la température de la pièce reste basse, la machine à glaçons peut ne pas redémarrer.

**La machine à glaçons est-elle munie d'une pompe de drainage ?** Si une grande quantité d'eau a été ajoutée dans la machine à glaçons vous aurez à attendre quelques minutes pour que la pompe de drainage la chasse. S'il reste de l'eau dans le bac à glaçons, contrôlez la conduite de ventilation de la pompe de drainage pour voir si elle est obstruée ou pincée.

### La machine à glaçons est bruyante

Beaucoup de sons d'une machine à glaçons sont différents de ceux d'un réfrigérateur domestique. Ce sujet a été traité en page 17, mais vérifiez ceci :

**Entendez-vous de l'eau qui circule dans la machine à glaçons ?** C'est un bruit normal car de l'eau est ajoutée pour chaque cycle de fabrication de glaçons.

**Se produit-il un bruit de turbine ?** Assurez-vous que de l'eau arrive bien à la machine à glaçons. Vérifiez également que le bouchon de drainage est bien mis en place sur le réservoir d'eau.

**Y a-t-il une plaque de glace coincée entre la plaque d'évaporateur et la grille de coupe ?** Vérifiez tout d'abord que la machine à glaçons est bien d'aplomb. Si est d'aplomb, lancez un cycle de nettoyage.

## Production de glaçons

### Peu ou pas de glaçons produits par la machine

**Le commutateur de sélection est-il en position de marche (ON) ?** Vérifiez le commutateur pour vous assurer qu'il est bien sur ON.

**De l'eau arrive-t-elle à la machine à glaçons ?** Assurez-vous que rien ne perturbe l'arrivée d'eau, comme un robinet d'eau fermé, un fusible grillé ou un disjoncteur qui a déclenché.

**La machine à glaçons est-elle juste mise en marche ?** Un cycle type de production de glaçons peut prendre jusqu'à 1-1/2 heure. Les cycles au démarrage peuvent être plus longs. Vérifiez l'accumulation de glaçons dans le bac après 24 heures.

**Le bouchon de drainage du réservoir est-il en place ?** Vérifiez que ce bouchon de drainage de réservoir est bien fermé.

**Le tube de distributeur d'eau est-il restreint ?** Lancez un cycle de nettoyage pour nettoyer la machine à glaçons. Contrôlez également qu'aucun des filtres n'est obstrué.

**Le flux d'air du ventilateur de condenseur est-il restreint ?** Assurez-vous que la grille sur l'avant la machine à glaçons est dégagée et ouverte pour que l'air circule bien.

**Est-ce que la température de la pièce et/ou de l'arrivée d'eau est trop chaude ?** Déplacez la machine à glaçons dans une zone où la température ambiante fait moins de 90°F (32 °C). La machine à glaçons ne doit pas être placée près d'une source de chaleur comme un four. Vérifiez que le raccordement est bien sur de l'eau froide.

**La machine à glaçons est-elle sujette à un entartrage ?** S'il y a une accumulation de tartre sur l'évaporateur, la machine à glaçons a besoin d'être nettoyée. Consultez la section sur le nettoyage de la machine à glaçons.

## Qualité de la glace

### Odeur, couleur grise ou goût de la glace

**Est-ce qu'il y a un dépôt de tarte minéral sur la plaque d'évaporateur ?** La machine à glaçons a besoin d'être nettoyée. Consultez la section sur le nettoyage de la machine à glaçons.

**Est-ce qu'il y a une forte teneur minérale dans l'eau ?** L'eau peut nécessiter un filtrage en amont.

**Des articles alimentaires sont-ils gardés dans le bac à glaçons ?** Enlevez toute nourriture du bac à glaçons.

### Agglomération de glace

**Est-ce qu'il y a des agglomérats de glaçons dans le bac ?** Si les glaçons ne sont pas utilisés sur une base régulière, ils vont fondre et se souder en blocs. Brisez les agglomérats de glaçons avec la pelle à glaçons.

### Les cubes des glaçons sont trop gros, trop petits ou creux

**La consommation de glaçons est-elle faible ?** La glace fond lentement dans le bac à glaçons, et cela affecte leur taille. C'est le fonctionnement normal. Quand le bac à glaçons aura besoin d'être regarni, les nouveaux glaçons auront une taille normale.

**La plaque de glace se libère-t-elle ?** Nettoyez l'évaporateur. Consultez la section sur le nettoyage de la machine à glaçons.

**Le tube de distributeur d'eau est-il restreint ?** Contrôlez que la conduite d'arrivée d'eau à l'appareil n'est pas bouchée ou pincée. Contrôlez également qu'aucun des filtres n'est obstrué. Vérifiez que l'eau coule régulièrement en sortie du tube de distributeur, sinon nettoyez la machine à glaçons. Consultez la section sur le nettoyage de la machine à glaçons.

### Problèmes de plomberie

**Le tuyau de drainage est-il bien aligné au-dessus du drain ?** Déplacez s'il le faut la machine à glaçons pour aligner l'ensemble de drainage.

**Le drainage de la machine à glaçons s'effectue-t-il bien ?** Contrôlez l'absence de pincements ou d'obstructions dans les conduites de drainage. Cela causerait un refoulement d'eau dans le bac à glaçons. Des matières étrangères peuvent éventuellement limiter ou obstruer le drainage du bac à glaçons situé à son angle arrière droit. Contrôlez l'évacuation par la pompe de drainage et la conduite de ventilation, et cherchez d'éventuels blocages ou pincements. Contrôlez que la pompe de drainage est bien de niveau.

### REMARQUE

S'il y a des problèmes de plomberie en dehors de la machine à glaçons, ils ne sont pas du ressort du technicien de réparation de la machine. Il faut alors faire appel à un plombier qualifié.

## PRÉPARATION À L'ENTREPOSAGE DE LA MACHINE À GLAÇONS

Si la machine à glaçons est déplacée, ou non utilisée pour une période prolongée, ou est située dans une zone où la température approchera de zéro, il sera nécessaire d'enlever toute l'eau résiduelle du système de production de glace.

### ATTENTION

La machine à glaçons doit avoir toute son eau vidangée pour éviter qu'elle ne soit endommagée, et pour éviter de possibles dégâts des eaux aux alentours s'il gèle. Ce type de dommages ne sera pas couvert par la garantie.

### ATTENTION

N'utilisez aucun type d'antigel ni d'autre solution à la place d'une vidange correcte de la machine à glaçons.

### Nettoyage de la machine à glaçons

Le nettoyage de la machine à glaçons aidera à éviter la croissance de moisissures et assainira également l'appareil en prévision d'un entreposage ou au moment de sa remise en service. Reportez-vous à la page 17 pour le nettoyage de la machine à glaçons.

### AVERTISSEMENT

Un risque de commotion électrique ou de blessure corporelle peut venir de composants en mouvement si le couvercle d'accès au compartiment de la machine est enlevé avant d'avoir débranché électriquement la machine à glaçons.

### Vidange et élimination de l'eau du système de production de glaçons avec drainage par gravité.

1. Coupez l'alimentation en eau de la machine à glaçons.
2. Débranchez le raccord d'arrivée d'eau à l'entrée de la vanne d'eau.
3. Passez le commutateur à bascule sur la position CLEAN pendant environ une (1) minute. Cela va activer et ouvrir la vanne d'eau et éliminer le plus gros de l'eau de cette vanne, et de la conduite qui en sort pour aller au réservoir.
4. Passez le commutateur à bascule sur la position d'arrêt (OFF). Cela va activer et ouvrir la vanne de drainage pour vider le réservoir et le système de drainage de la machine à glaçons.
5. Débranchez l'appareil de sa prise secteur.
6. Enlevez le couvercle d'accès de l'arrière de l'appareil (Voir la page 6).
7. Débranchez la conduite d'eau en sortie de la vanne d'eau allant au réservoir, et vider le reste d'eau de la zone de siphon de la conduite d'eau.
8. Rebranchez la conduite d'eau de sortie de vanne et serrez l'écrou de compression pour une bonne étanchéité.
9. Remettez en place le couvercle d'accès de l'appareil.
10. Nettoyez et faites sécher le bac de conservation de la machine à glaçons.
11. Gardez la porte ouverte pour la circulation d'air afin d'éviter des moisissures.
12. Laissez la conduite d'arrivée d'eau débranchée, ou rebranchez-la en gardant l'arrivée d'eau coupée. N'ouvrez PAS l'arrivée d'eau et ne laissez pas de l'eau revenir dans la vanne d'eau.

### Drainage de l'eau pour les applications avec pompe de drainage installée en usine

Suivez les étapes de 1 à 12 du drainage par gravité, puis effectuez ce qui suit :

13. Enlevez la pompe de drainage de la machine à glaçons (reportez-vous aux instructions de démontage de la pompe à drainage en page 24).
14. Videz l'eau dans le réservoir de la pompe à drainage en renversant la pompe et en laissant l'eau couler par les raccords d'entrée de pompe et de tube de ventilation.
15. Une fois toute l'eau évacuée, réinstallez la pompe de drainage. Assurez-vous que tous les tubes sont installés et que tous les colliers de tuyau sont bien serrés (reportez-vous aux instructions de démontage de la pompe à drainage en page 24).

### Redémarrage de la machine à glaçons

1. Avec le commutateur à bascule en position d'arrêt (OFF), rebranchez l'appareil sur une prise secteur.
2. Rebranchez la conduite d'arrivée d'eau ou ouvrez l'arrivée d'eau.
3. Rebranchez le tube de drainage s'il avait été ôté.
4. Passez le commutateur en position de marche (ON).
5. Vérifiez l'absence de fuites au niveau de l'arrivée, des conduites de drainage, et des raccords.
6. Contrôlez le fonctionnement de la pompe de drainage (s'il y a lieu) en versant environ deux (2) pintes d'eau dans le bac de conservation des glaçons. La pompe de drainage doit s'activer et vider l'eau (Reportez-vous à la pompe de drainage en page 6). Contrôlez l'absence de fuites d'eau à tous les raccordements de tuyaux.

## INSTRUCTIONS DE DÉMONTAGE DE POMPE DE DRAINAGE

### Instructions pour déposer la pompe de drainage :

1. Débranchez l'alimentation électrique de la machine à glaçons et ôtez son couvercle d'accès à l'arrière (Voir la page 5 pour les instructions).
2. Dévissez le pied de mise à niveau de l'angle arrière jusqu'à ce que le bout de sa portion fileté arrive au niveau de l'insert d'écrou dans la base (Voir la Figure 26) :
3. Dévissez les 4 colliers de tuyau et enlevez les 3 tuyaux de l'avant de la pompe de drainage (Voir la Figure 26).
4. Faites pivoter la pompe de drainage et sortez-la de la machine à glaçons (Voir la Figure 25). Il peut être nécessaire de débrancher la liaison du fil de terre sur le rebord arrière de l'armoire (Voir la Figure 26).
5. Débranchez le cordon d'alimentation de la machine à glaçons de la pompe de drainage (Voir la Figure 27).
6. Pour vider l'eau de la pompe, suivez les étapes 14 et 15 en page 23.

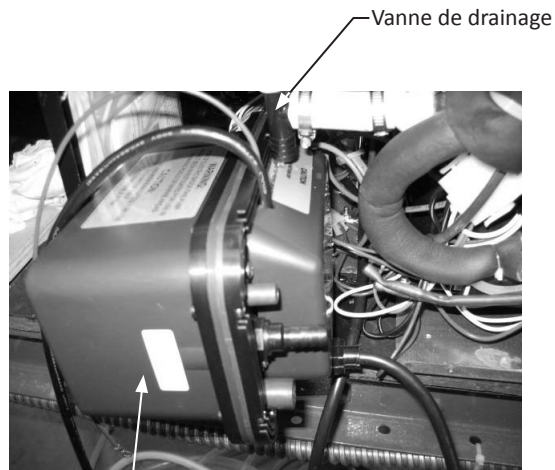


Figure 25

Faites pivoter la pompe et sortez-la de l'arrière de la machine

Dévissez les 4 colliers de tuyau et enlevez les 3 tuyaux de la pompe de drainage.



Figure 26

Il peut être nécessaire de débrancher le raccordement électrique en cas de pompe de drainage installée en usine

Dévissez le pied de mise à niveau pour que le bout des filets arrive au niveau de l'insert d'écrou.

Vider la pompe  
fil de terre lien

## INSTRUCTIONS DE DÉMONTAGE DE POMPE DE DRAINAGE



Figure 27

### Points supplémentaires à inspecter par l'installateur pour un remplacement :

- 1) La pompe de drainage doit être de niveau.
- 2) Les conduites d'eau ne doivent pas être pincées.
- 3) Il ne doit pas y avoir d'interférence avec des cordons électriques ou le câblage.
- 4) La pompe de drainage ne doit pas être placée sur des obstacles quelconques, du câblage, etc.
- 5) Serrez toutes les attaches de tuyaux allant à la pompe de drainage ou en venant.
- 6) Assurez-vous que la hauteur du tube de ventilation est adéquate, soit 18 pouces (45,7 cm) au minimum.
- 7) Assurez-vous que la hauteur de drain est adéquate, soit 8 pouces (20,3 cm) au maximum.
- 8) Assurez-vous que la longueur de drain est adéquate, soit 20 pouces (50,8 cm) au minimum.
- 9) Vérifiez l'absence de fuites d'eau après l'installation de la pompe de drainage.
- 10) Vérifiez l'absence de vibrations qui viendraient d'une mauvaise installation.
- 11) Assurez-vous qu'il n'y a pas d'interférence avec le couvercle arrière d'inspection.
- 12) Assurez-vous que les œillets des trous sont en place à chaque emplacement, de façon à ce qu'aucun tube de drainage ou de ventilation ne frotte sur des surfaces coupantes.

## OBTENTION DU SERVICE

### Avant d'appeler pour du service

Avant d'appeler pour demander du service, vérifiez les points suivants :

- Assurez-vous que la machine est bien branchée sur la prise secteur.
- Vérifiez la présence du secteur sur cette prise. Testez la prise en y branchant une lampe pour vous assurer qu'elle est sous tension.
- Assurez-vous que le commutateur de la machine est bien en position de marche (ON).
- Assurez-vous que de l'eau froide est bien envoyée à la machine à glaçons.
- Assurez-vous de la présence du bouchon de drainage sur le réservoir.
- Assurez-vous que l'appareil est bien de niveau d'avant en arrière et d'un côté à l'autre.
- Assurez-vous que la conduite de drainage venant de la machine à glaçons n'est ni pincée ni obstruée.

Si vous n'êtes pas à même de corriger le problème, contactez votre revendeur ou le constructeur. Assurez-vous d'avoir sous la main la référence de service et le numéro de série avant d'appeler. La référence de service et le numéro de série sont situés à l'intérieur de la machine à glaçons, sur le côté gauche du revêtement.

### Si du service est nécessaire :

Si vous avez réellement besoin de service, contactez votre revendeur ou directement AGA MARVEL. Dans toute correspondance, référez-vous à la référence de service et au numéro de série la qui se trouvent sur le côté gauche en haut du revêtement de cloison. Gardez votre justificatif d'achat. Vous pouvez souhaiter enregistrer ces références dans l'espace ci-dessous.

Pour vos archives	
Date d'achat	
Nom du revendeur	
Adresse du revendeur	
Ville du revendeur	
État/province du revendeur	
Code Zip/postal du revendeur	
N° de série de l'appareil	
Référence de service de l'appareil	
Date d'envoi de la carte de garantie (à faire dans les 10 jours après l'achat)	

Tableau C

### Comment obtenir le service

Votre machine à glaçons nécessite peu de service, car c'est le meilleur et le dernier cri en matériaux, équipements et méthodes de qualité qui a été employé tout au long de son processus de construction.

Si un problème survient durant un fonctionnement normal, vérifiez d'abord le tableau de dépannage commençant en page 19, pour voir si l'une de ses actions simples peut corriger le problème. Si du service s'avère finalement nécessaire :

1. Si le produit est encore dans sa première année de garantie, veuillez appeler le service à la clientèle d'AGA MARVEL au 800.223.3900 pour avoir des instructions sur la façon d'obtenir une couverture sous garantie dans votre secteur.
2. Si le produit est sorti de sa première année de garantie, le service à la clientèle d'AGA MARVEL peut vous fournir des recommandations sur les centres de service de votre secteur. **Une liste des centres de service agréés est également disponible sur le site [www.agamarvel.com](http://www.agamarvel.com) sous la section de service et d'assistance.**
3. Dans toute correspondance relative au service, assurez-vous de bien fournir la référence de service, le numéro de série et le justificatif de l'achat.
4. Essayez de donner des informations ou une description de la nature du problème, sur la durée pendant laquelle l'appareil a fonctionné, sur les températures de la pièce et de l'eau, et toutes les informations pouvant être utiles pour une résolution rapide du problème.

# GARANTIE D'APPAREIL À USAGE DOMESTIQUE

## Appareil complet

### Garantie limitée d'un an sur pièces et main-d'œuvre

AGA MARVEL garantit qu'il fournira toutes les pièces et la main-d'œuvre nécessaires pour réparer ou remplacer, au domicile ou au bureau de l'utilisateur final, tout composant avéré défectueux du fait des matériaux ou de la main-d'œuvre, en tenant compte des conditions et exclusions décrites plus bas, pendant une période d'une année à compter de la date d'achat par l'utilisateur final.

### Période additionnelle de la deuxième à la cinquième année

#### Garantie limitée sur les pièces uniquement

Durant les quatre ans qui suivent l'expiration de la garantie limitée d'un an, AGA MARVEL va fournir des pièces de remplacement pour le système de refroidissement hermétiquement scellé (constitué de : compresseur, condenseur, déshydrateur, accumulateur, vanne de contournement, tube de raccordement et évaporateur), s'il s'avère défectueux du fait des matériaux ou de la main-d'œuvre, en tenant compte des conditions et exclusions qui suivent.

Les garanties précédentes ne couvrent pas :

- Les coûts d'expédition des pièces de remplacement ou des pièces défectueuses renvoyées.
- L'éducation du client ou des instructions sur la façon d'utiliser l'appareil
- Toute perte de contenu due à une panne de produit.
- Le déplacement ou l'installation de l'appareil.

Les garanties qui précèdent ne couvrent pas non plus une panne de ce produit ou de ses composants due à :

- Transport ou dommages consécutifs au transport.
- Utilisation commerciale, ou autre qu'un usage domestique normal ou un usage dans un petit bureau.
- Une utilisation incorrecte, un mésusage, un abus, un accident ou une altération, un câblage de raccordement non conforme aux normes électriques, une tension secteur trop élevée ou trop faible, un défaut d'entretien notoire, ou toute autre utilisation non raisonnable.

## Pièces ou service non fournis ou conçus par AGA MARVEL

Les garanties qui précèdent ne s'appliquent pas non plus si :

- L'acte de vente d'origine, la date de livraison, ou le numéro de série ne peuvent pas être vérifiés.
- Les pièces défectueuses ne sont pas renvoyées pour inspection si c'est demandé par AGA MARVEL.
- L'équipement de refroidissement n'est plus en la possession de l'acheteur utilisateur final d'origine.

Les garanties décrites ici sont les seules fournies par AGA MARVEL.

Toutes les garanties implicites, y compris la garantie implicite de valeur marchande, sont limitées à la durée des garanties explicites. En aucun cas, AGA MARVEL ne sera tenue pour responsable de tous dommages ou dépenses consécutifs ou annexes, résultant d'une inobservation de ces garanties ou d'autres garanties, qu'elles soient explicites ou implicites.

Certains États et certaines Provinces ne permettent pas l'exclusion ou la limitation des dommages consécutifs ou une limitation de la durée applicable des garanties implicites, dont la limitation ou exclusion qui précède peu ne pas être applicable à votre cas. Cette garantie vous donne des droits légaux spécifiques, et vous pouvez avoir d'autres droits qui peuvent varier d'un État à un autre.

Aucune personne, firme ou corporation, n'est autorisée à donner une garantie différente, ni à assumer une quelconque autre obligation pour AGA MARVEL. Ces garanties ne s'appliquent qu'à des produits utilisés dans un des cinquante États des États-Unis d'Amérique et dans le District de Columbia.

Pour obtenir une action dans le cadre de cette garantie, signalez tous les défauts constatés à :

### AGA MARVEL

1260 E. VanDeinse St.  
Greenville MI 48838

Téléphone : 800.223.3900



[www.agamarvel.com](http://www.agamarvel.com)

**AGA MARVEL**

1260 E. VanDeinse St.  
Greenville MI 48838

800.223.3900

41012687-CFR revE  
5/7/15

Toutes les spécifications et les conceptions des produits sont sujettes à des changements sans préavis. De telles révisions ne donnent aucun droit pour l'acheteur de produits antérieurs à bénéficier de ces changements, améliorations, ajouts, remplacements, ni de recevoir une compensation.