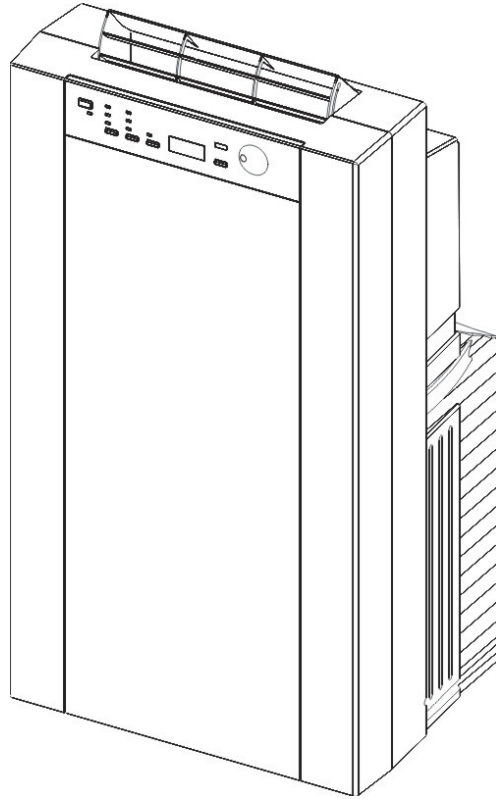




# Portable Air Conditioner



**Model: AP14001HS**

*For more information on other great EdgeStar products on the web, go to <http://www.edgestar.com>*

## Important Safety Information

Improper handling can cause serious damage to the appliance and/or to the user.

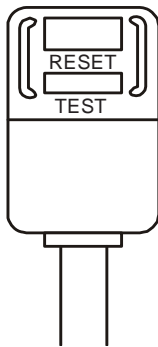
This portable air conditioner is not intended for use by children. Children should be supervised to ensure that they do not play with this product.

### Electrical Safety

- This unit is designed for indoor use only.
- Do not use the unit in extremely humid or wet environments.
- Do not wet the housing or control panel.
- Do not pull the unit by the cord.
- Always turn the unit off and unplug it from the socket when cleaning.
- Unplug the unit if it is not going to be used for a long period of time.
- Do not operate the unit with a damaged plug or a loose socket.
- Use only the correct power supply with appropriate amperage.
- If the power cord is damaged, it must be replaced by the manufacturer, a service agent, or qualified technician.
- Do not remove any part of the casing unless instructed by an authorized technician.

### General Safety

- This portable air conditioner is not intended to be used by children.
- Do not allow children to play with the controls or drop any objects into the air outlets or vents.
- Do not place objects or let any person sit on top of the unit.
- Only use in the upright position on a flat, level surface and provide at least 20 inches of clearance from any walls or objects.
- Route the power cord carefully to avoid a tripping hazard.
- This unit is intended for domestic use only. Do not use the portable air conditioner for industrial or commercial use. Any other use may invalidate the warranty.



Your portable air conditioner is supplied with a Leakage-Current Detection and Interruption (LCDI) safety plug. This device provides protection to reduce the risk of fire due to arcing faults in the power supply cord. Before using your portable air conditioner, follow the instructions below to ensure that the LCDI plug is working properly:

1. Plug the power cord to a grounded outlet.
2. Press the TEST button on the LCDI plug. This should trip the plug and cut the power to the air conditioner. If the plug does not trip and you are able to turn on the unit, please contact EdgeStar support.

### DO NOT USE YOUR PORTABLE AIR CONDITIONER IF THE TEST FAILS.

Press the RESET button to start using your air conditioner.

Do not use the TEST and RESET buttons as an ON/OFF switch.

---

Electrical products should not be disposed of with household waste. Please contact your local recycling center for more information on how to recycle electronic waste.



# Introduction

Thank you for purchasing this EdgeStar portable air conditioner. We are glad you chose us. We believe that your purchase of this product opens a relationship between you and EdgeStar. We will provide the customer support needed to nurture that relationship.

This manual contains important information regarding the proper installation, use and maintenance of your portable air conditioner. Following this manual will ensure that your product will work at its peak performance and efficiency.

Please save the original product packaging in case you need to safely transport your portable air conditioner.

## For Your Records:

Please write down the model number and serial number below for future reference. Both numbers are located on the ratings label on the back of your unit and are needed to obtain warranty service. You may also want to staple your receipt to this manual as it is the proof of your purchase, and is also needed for service under your warranty.

Model Number: \_\_\_\_\_

Serial Number: \_\_\_\_\_

Date of Purchase: \_\_\_\_\_

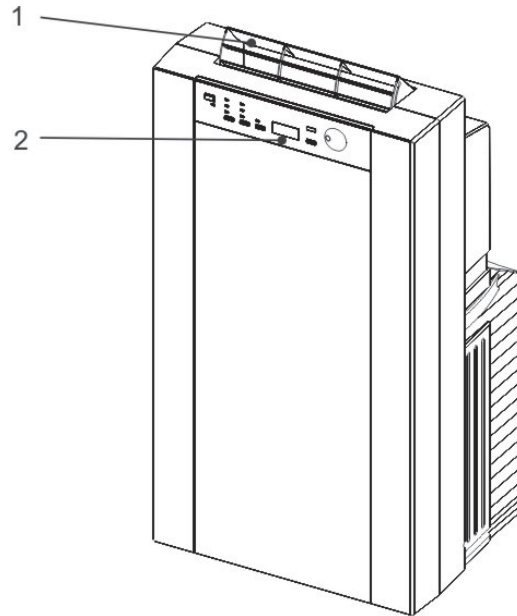
To better serve you, please do the following before contacting customer service:

- If you received a damaged product, immediately contact the dealer that sold you the product.
- Read and follow this instruction manual carefully to help you install, use and maintain your portable air conditioner.
- Read the troubleshooting section of this manual as it will help you diagnose and solve common issues.
- Visit us on the web at <http://www.edgestar.com> to register your product, download product guides, additional troubleshooting resources and up-to-date information.

If you need warranty service, our friendly customer service representatives are available via email at [service@edgestar.com](mailto:service@edgestar.com) or by telephone at **1 (866) 319-5473**.

## Parts Identification

### Front View

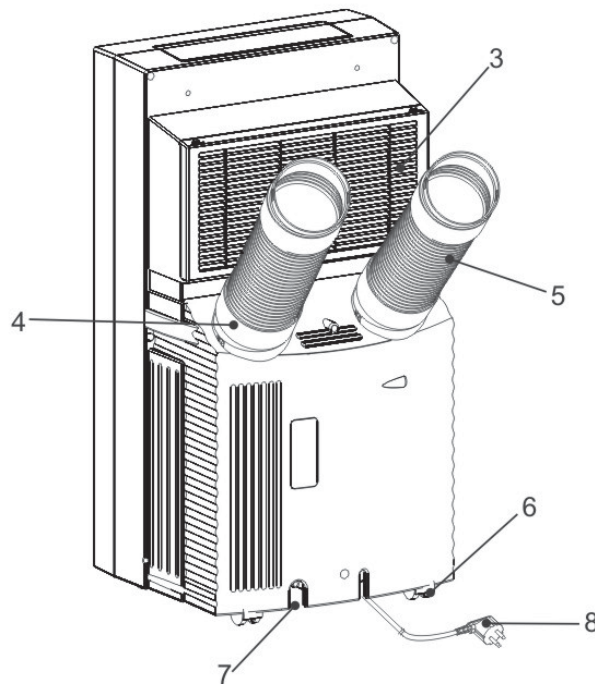


1. Air outlet

2. Emergency on/off switch

3. Evaporator air intake

### Back View



4. Air inlet

5. Air outlet hose

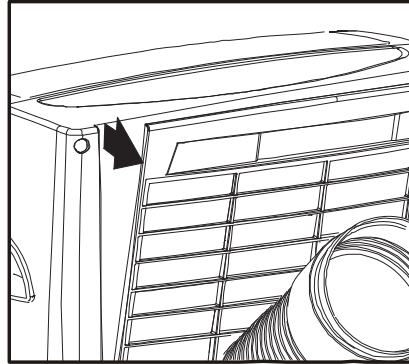
6. Casters

7. Drainage pipe

8. Power supply

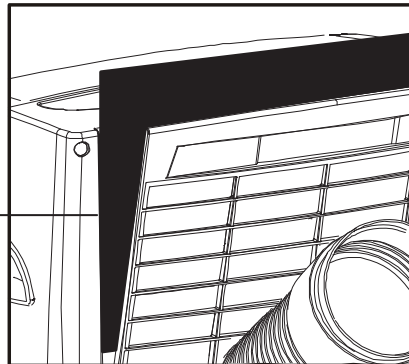
## Installing the Carbon Filter

Your portable air conditioner ships with a pre-filter and an activated carbon filter. The carbon filter will help remove contaminants and odors from the air. It is recommended you replace the carbon filter every two to three months, or as needed. It is necessary to clean the pre-filter periodically. Follow the steps below to install the carbon filter:



CAUTION: Never operate the air conditioner without the pre-filter attached.

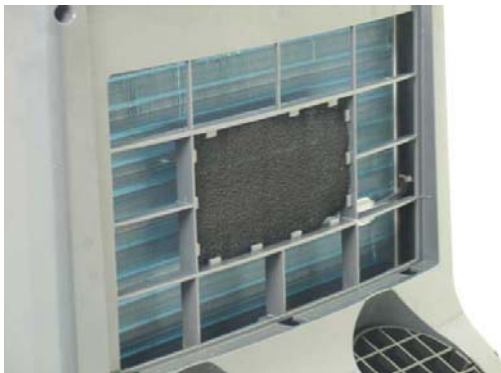
Activated carbon filter



Pre-filter

2. Insert the activated carbon filter between the pre-filter and the unit.
3. Reinstall the pre-filter.

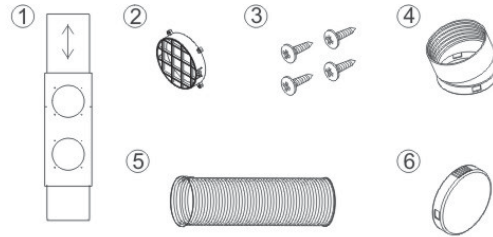
Note: The size of the carbon filter may vary as shown below.



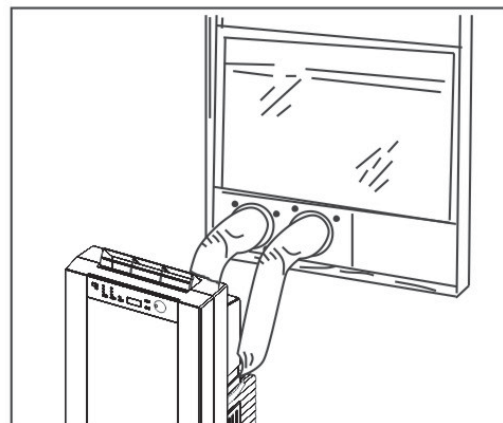
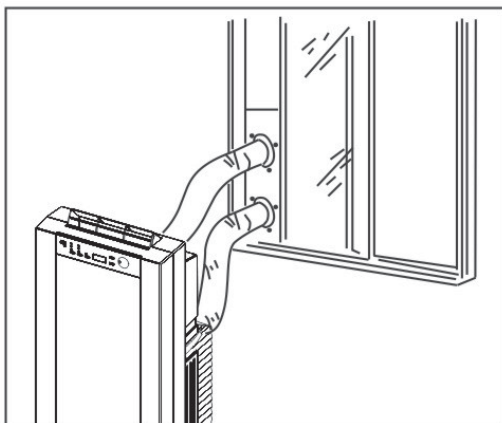
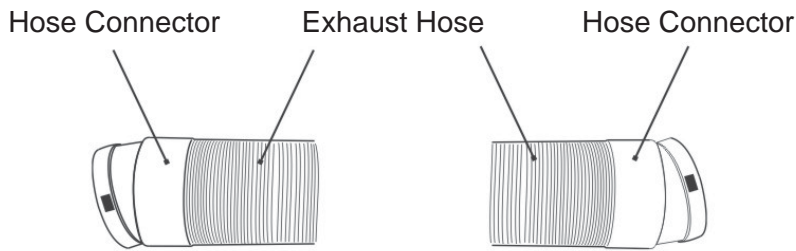
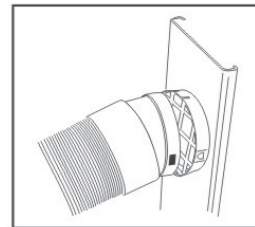
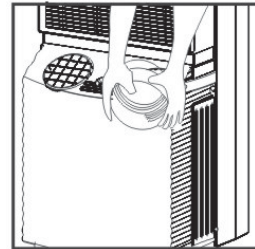
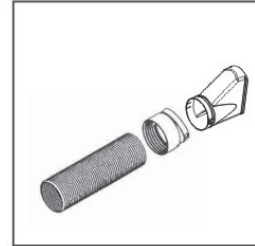
# Window Kit Installation Instructions

## Accessories Include

1. Window / Patio door slider kit.... 1 set
2. Fixture ..... 2 pieces
3. Screws ..... 8 pieces
4. Heat exhaust hose connector ... 4 pieces
5. Heat exhaust hose ..... 2 pieces
6. Cover ..... 2 pieces



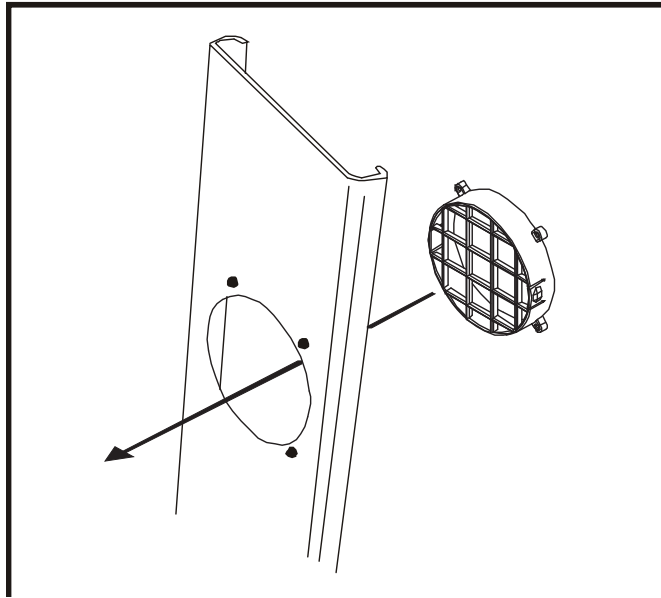
1. Adjust the plastic panel to the width or height of your window and tighten the 2 screws that are attached to the panel.
2. Push the round window panel adapter through the rear of the plastic panel. Line up the holes and tighten the adapter with 4 screws that are included in the kit. (Tighten screws from the front).
3. Install the window plastic panel into the window. If necessary use duct tape to better secure the panel.
4. Connect exhaust hose to the unit by inserting the hose connector that is attached to the hose into the exhaust.
5. Move the unit to the window, extend the hose and attach the other end of the hose to the window. Align the tabs on the hose and window panel adapters and fasten them together.



Note: This unit can be used with one or two vent hoses. The exhaust hose should always be used in cooling and heating (HS model) mode. The air intake hose can be used to increase the cooling efficiency of the unit. If the air intake hose is not used, simply cover one of the grated adapters on the window kit with a vent cap.

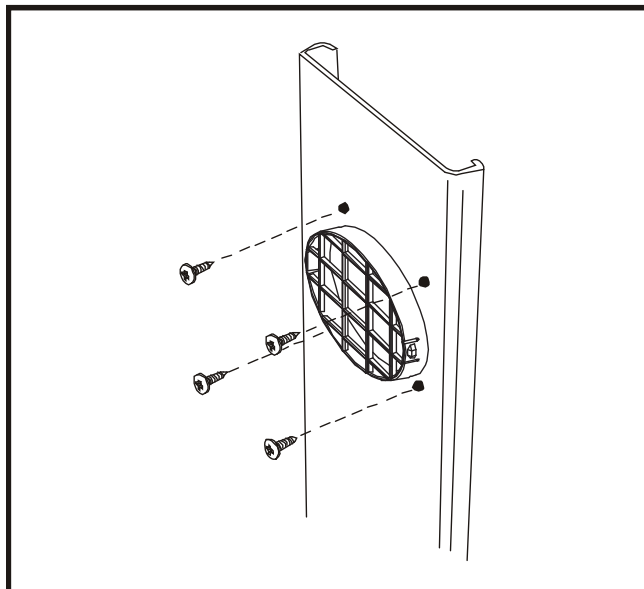
## Installing the grated adapter

①



1. Insert the round grated adapters through the back grooved side of the window kit plate with holes.

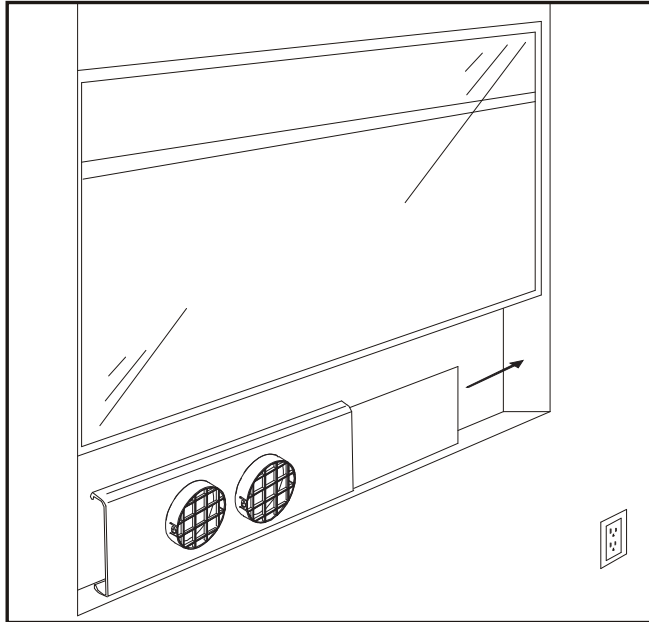
②



2. Secure the grated adapters by fastening the screws from flat side of the window kit plate to the holes on the grated adapter.

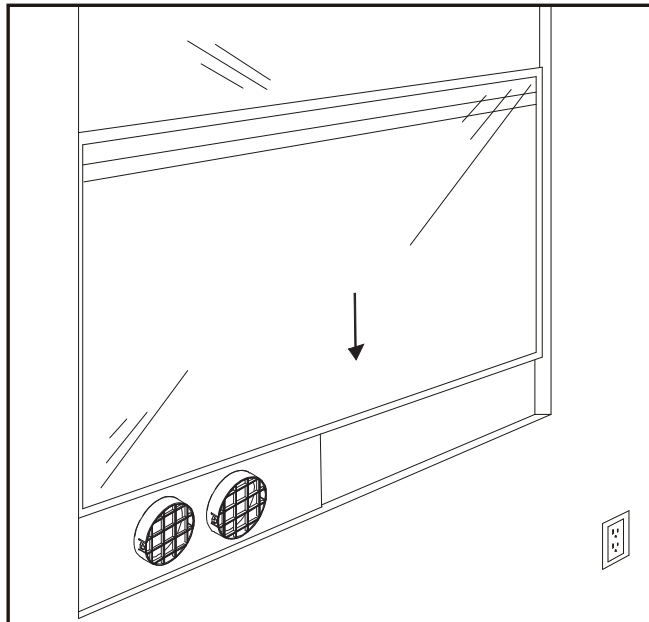
## Installing the window plates

3



3. Open your window and place the window kit with grooved side facing outward on the window sill. Then, slide the window kit plates to fit the width of the window. You can use screws to secure the window kit plates from sliding.

4



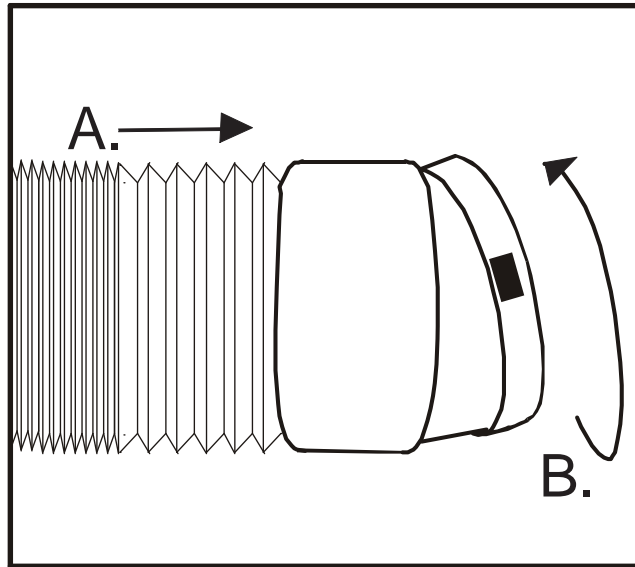
4. Lower the window to secure the window kit in place. You may need to use duct tape to better secure the window kit.

CAUTION: Secure your window by using window locks. Please contact your EdgeStar retailer to purchase window locks.



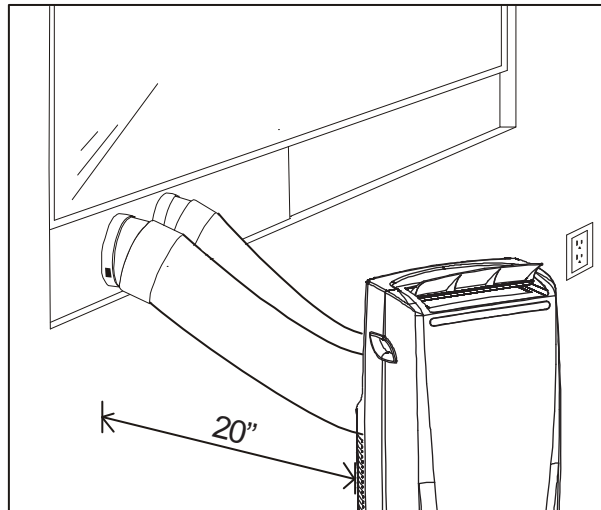
**Attaching the duct connectors to the exhaust hose**

5



5. Attach the connectors to the hose:
- A. Extend the ends of the exhaust hose
  - B. Thread the duct connector on by turning it clockwise until it stops.

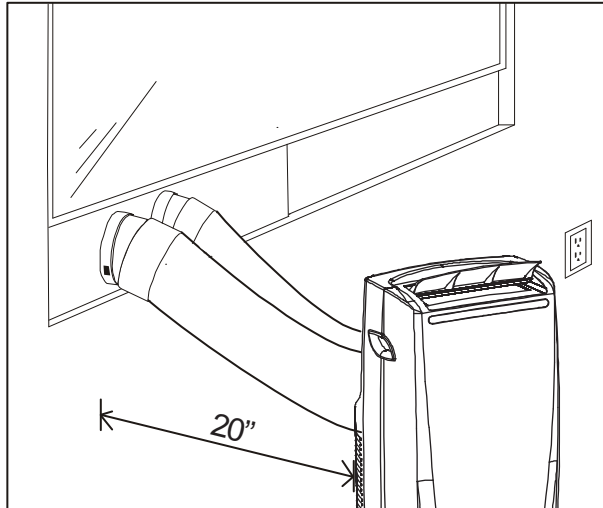
6



6. Roll the unit towards the window kit. Leave a space that is at least 20 inches to the wall.

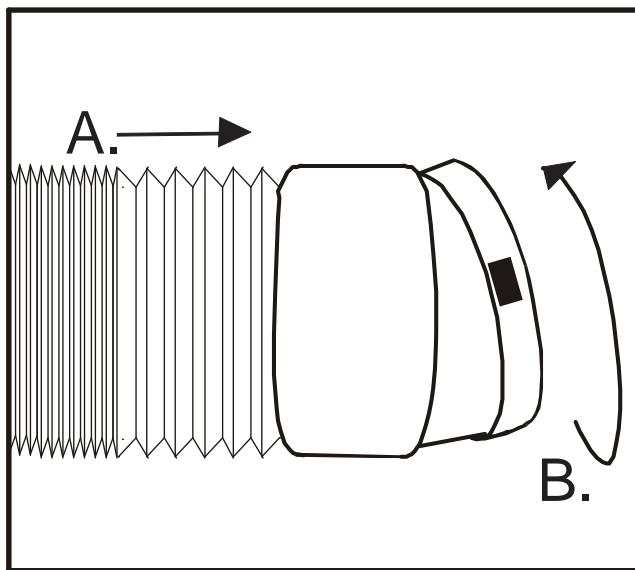
**Connecting the duct connectors to the unit**

7



7. Align the slots on the duct connector to the tabs and snap into the back of the unit.

8



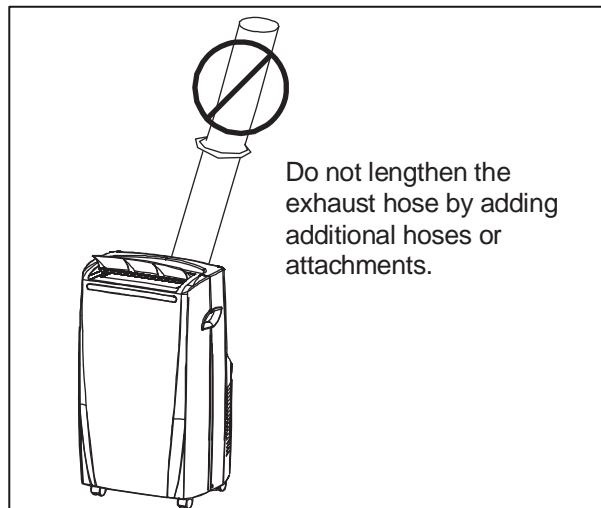
5. Attach the connectors to the hose:  
A. Extend the ends of the exhaust hose  
B. Thread the duct connector on by turning it clockwise until it stops.

After you have installed the exhaust hose and window kit, you can plug in your portable air conditioner and start using it.

## **Notes about the Exhaust hose**

Your portable air conditioner is designed to exhaust condensate water that is collected from the air. This water, in either gaseous or droplet form, will be expelled out the exhaust port of the unit. Please take this into account when deciding how to vent it.

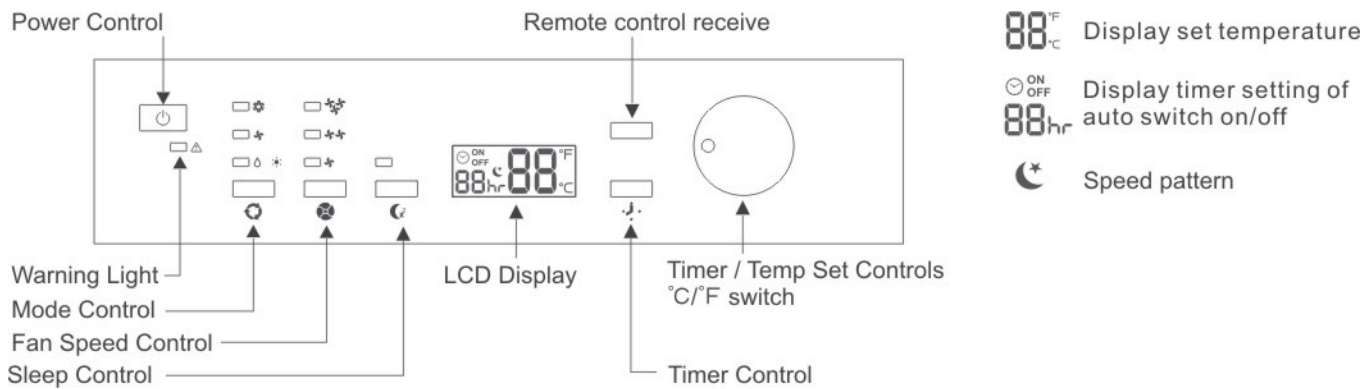
1. The exhaust hose supplied with the portable air conditioner can be extended up to 48 inches; however for maximum efficiency, use the shortest length possible.
2. Try to prevent any kinks or bends in the exhaust hose. Kinks or bends may trap exhaust air which can radiate heat into the room or potentially cause the portable air conditioner to overheat and shut itself off.



3. The exhaust hose supplied with the portable air conditioner has been specifically designed for this air conditioner. Do not lengthen the hose by adding additional hoses or attachments or replace it with any other hose.

Warning: Longer hoses are not recommended.

## CONTROL PANEL



### Power Control

The power control turns the unit on and off

### Warning Light

Condensed water may accumulate in the unit. If the internal tank becomes full, the Warning Light will shine and the unit will not operate until the unit has been drained.

### Mode control

The Mode Control Has 4 settings:

#### ●Cool ●Dehumidify ●Fan ●Heating

The settings are adjusted with Mode control button. A light will indicate which setting is currently being used.

#### ●Cooling Mode

During the cooling mode the air is cooled and hot air is exhausted to the outside through the exhaust tube. Adjust fan speed and air temperature to suit your desired comfort level.

**Note: The air exchange hoses must vent outside the room when using cool mode.**

#### ●Dehumidify Mode

Air is dehumidified as it passes through the unit, without being in full cooling mode. If room temperature is > 77 degrees Fahrenheit, fan speed can be adjusted; otherwise fan speed is fixed to "Med".

**Note: The warm air exchange hoses must vent inside the room when using Dehumidify Mode, not outside as it does when cooling. If the unit is vented outside some cooling will occur.**

#### ●Fan Mode

Air is circulated throughout the room with on cooling.

**Note: unit does not need to be vented in Fan mode**

#### ●Heating Mode

Heating is activated only when the ambient temperature is below 77°F. In this mode, the desired temperature can be set between 60°F and 77°F.

**Note: When the device is in heating mode, both air hoses must be connected and led outside.**

### Fan Speed Control

The Fan Speed Control has 3 Settings: High, Medium, and Low.

### Timer

#### Auto turn off:

With machine in running mode, press timer button to select number of hours you would like the unit to run in air conditioning mode until it automatically shuts off.

#### Auto turn on

With machine in standby mode, press timer button to select number of hours until you would like the unit to automatically start running in air conditioning mode.

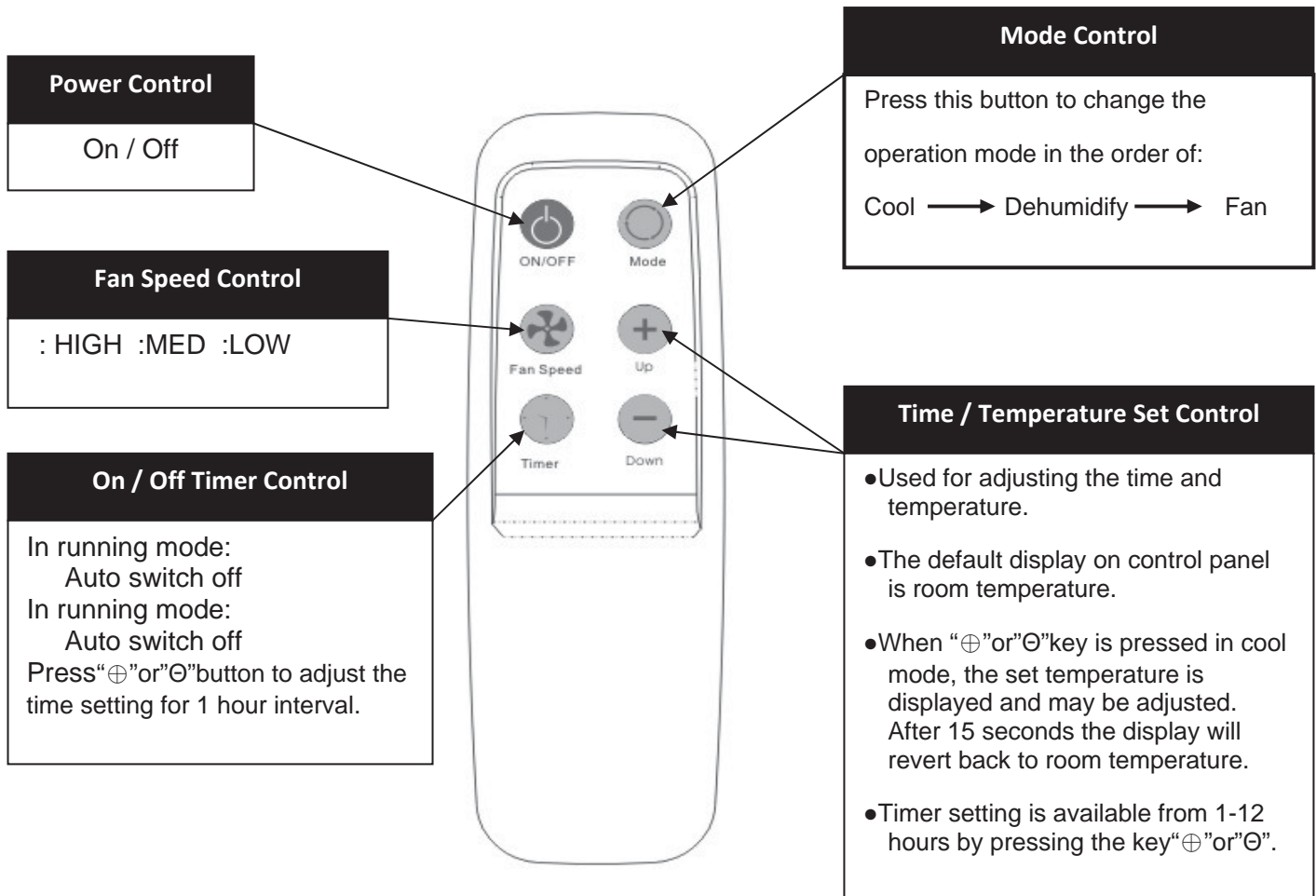
### Timer / Temp set control/wheel

- Used for adjusting the time and thermostat.
- The default display is room temperature.

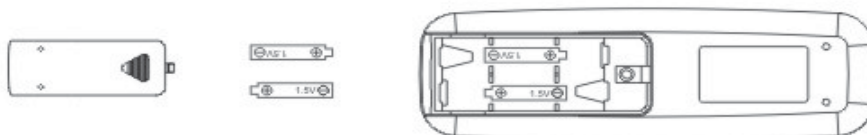
### Air Conditioner Remote Control (batteries not included)


The functions work the same as your air conditioner's touch controls.

All key function can be accessed from the remote control.



**Battery replacement :** Remove the cover on the back of the remote control and insert the batteries with the (+) and (-) poles pointing in the proper direction.



**CAUTION** 

Use only AAA or IEC R03 1.5V batteries.  
Remove the batteries if the remote control is not used for a month or longer.  
Do not attempt to recharge the supplied batteries.  
All batteries should be replaced at the same time, do not mix old battery.  
Do not dispose of the batteries in a fire as they may explode.

## Energy Saving Guide

Read and follow the guide below to get the best performance and efficiency from your portable air conditioner:

- Do not cover the air outlet (exhaust) while in use.
- Do not place the unit in front of curtains or drapes- to ensure they do not obstruct the air intake.
- Minimize the length of the exhaust hose, but allow at least 20 inches of space on sides and back of the unit.
- Make sure the exhaust hose is as straight as possible and avoid kinks or bends.
- Keep curtains, blinds or drapes closed during the sunniest part of the day.
- Use the timer to operate the unit before it is needed. For example, set the timer to turn on the unit in cooling mode for 3 or more hours to cool the room before you arrive. You may want to operate the unit all day if you live in a warmer climate.
- Minimize the heat sources (direct sunlight, computers, servers, people, etc.) in the room.
- Close all windows and doors.
- Use the unit in a contained room. For example, a room with four walls and a ceiling, instead of a partitioned studio, or warehouse.
- Make sure the unit is on a level surface.
- Minimize the amount of humidity in the room. For example, run the unit as a dehumidifier.
- To prolong the compressor's life, please wait at least 3 minutes before turning the unit back on after shutting it off.
- Inspect and keep the pre-filters clean by cleaning regularly.
- Inspect and replace the activated carbon filters regularly.
- Perform routine maintenance.

## Maintenance

Clean the air conditioner and filters regularly to maximize performance and efficiency, and prolong the unit's life. Be sure to always unplug the air conditioner from the power outlet before cleaning.

---

### ***Cleaning the unit***

Use a soft dry cloth to wipe the body clean. If necessary, use lukewarm water to dampen a cloth to clean the unit.

Use a soft bristle brush to clean between the vents.

Carefully use a vacuum cleaner to clean the condenser coils

Never use abrasive chemicals, volatile substances, gasoline, detergents, chemically treated cloths, or other cleaning solvents that may damage the cabinet exterior.

Never spray water directly on the unit.

---

### ***Cleaning the pre-filter***

To clean the pre-filter, follow the steps below:

- 1) Power off the unit and remove the pre-filter.
- 2) Remove the activated carbon filter.
- 3) Use a vacuum cleaner or tap the filter lightly to remove loose dust and dirt, then rinse thoroughly under lukewarm running water (below 104°F). You may use a mild soap and water solution if needed. Allow the pre-filter to air dry in a cool and shaded place. Dry thoroughly before reinstalling.

Clean the pre-filter periodically. If the unit is used in a dusty environment you may need to clean it on a weekly basis.

---

### ***Preparation for Storage***

**Warning:** Never operate the unit without the filters.

If you are not going to be using the unit for an extended period of time, follow the instructions below before storing your unit:

- 1) Drain all the water from the unit's reservoir. Operate the unit in fan mode for a few hours to thoroughly dry any moisture left on the coils inside the unit.
- 2) Power off the unit, and clean or change the filters.
- 3) Unplug and carefully wind the power cord.
- 4) Remove the exhaust hose and duct connectors and keep them in a safe place.

If the unit will be stored in a garage, storage container, or warehouse, place it in a sturdy box with plenty of packing material.

**Caution:** Do not transport or store the unit on its side or upside down.

## Troubleshooting

Follow the troubleshooting guide below to resolve common issues.

| Issue                                                                                              | Possible Cause                                                                                     | Solution                                                                                                                                        |
|----------------------------------------------------------------------------------------------------|----------------------------------------------------------------------------------------------------|-------------------------------------------------------------------------------------------------------------------------------------------------|
| My air conditioner is not functioning at all                                                       | Unit is not receiving power                                                                        | Make sure the unit is plugged in                                                                                                                |
|                                                                                                    | LCDI power cord is tripped                                                                         | Press the Reset button on the LCDI cord                                                                                                         |
|                                                                                                    | Insufficient power                                                                                 | Move the unit to another outlet. Check your circuit breaker. (Refer to the rating label on the back of the unit to determine the Amperage draw) |
|                                                                                                    | Water reservoir is full                                                                            | Drain the unit and restart                                                                                                                      |
|                                                                                                    | Control panel is disconnected                                                                      | If no indicator lights turn on, contact customer service                                                                                        |
| My remote control does not work and the indicator symbols on the remote do not appear              | Batteries not installed                                                                            | Install new batteries                                                                                                                           |
|                                                                                                    | Bad batteries                                                                                      | Replace the batteries                                                                                                                           |
|                                                                                                    | Batteries installed incorrectly                                                                    | Reinstall the batteries correctly                                                                                                               |
|                                                                                                    | A defective remote control                                                                         | Contact customer service                                                                                                                        |
| My air conditioner is making a loud noise                                                          | The unit is not level.                                                                             | Make sure the unit is on a level surface                                                                                                        |
|                                                                                                    | A foreign object has jammed the fan.                                                               | Remove the object from the fan                                                                                                                  |
|                                                                                                    | The floor below the unit is uneven                                                                 | Move the unit to a level surface                                                                                                                |
| My air conditioner is making a continuous metallic knocking or pinging sound                       | Unit may have been shipped on its side                                                             | Shut off the unit. Let the unit sit on a level surface for at least 24 hours and restart.                                                       |
|                                                                                                    | Damaged compressor                                                                                 | Contact customer service                                                                                                                        |
| My air conditioner is leaking                                                                      | Drain plug is removed                                                                              | Attach the drain plug                                                                                                                           |
|                                                                                                    | Cracked base pan                                                                                   | Contact customer service                                                                                                                        |
| My air conditioner runs for a little while and then it trips the power cord or the circuit breaker | The air conditioner may be plugged into an outlet that cannot supply the correct amount of current | Contact an electrician if the unit works in a different room or circuit                                                                         |
| The control panel Water light is on and the unit stopped running.                                  | Your water reservoir is full.                                                                      | Drain your unit.                                                                                                                                |



| <b>Issue</b>                                                               | <b>Possible Cause</b>                         | <b>Solution</b>                                                                                                                       |
|----------------------------------------------------------------------------|-----------------------------------------------|---------------------------------------------------------------------------------------------------------------------------------------|
| My air conditioner is not cooling at all                                   | Unit is not operating in cooling mode         | Set the unit to be in cooling mode, and lower the set temperature (pg. 11)                                                            |
|                                                                            | The compressor is not on                      | The compressor may take up to 3 minutes to turn on, or longer if it is too warm                                                       |
|                                                                            | The ambient temperature is too high           | Lower the room temperature to be below 90°F degrees                                                                                   |
|                                                                            | Blocked exhaust port                          | Remove any obstructions in the exhaust hose and port                                                                                  |
|                                                                            | The unit is not vented                        | The unit must be vented. (pg. 5)                                                                                                      |
| My air conditioner blows cold air, but does not lower the room temperature | The area of the room is too large             | Minimize the size of the area to be cooled, i.e. adding a drop ceiling. Use more than one unit to cool the area, or use a larger unit |
|                                                                            | Open windows and doors                        | Close any open doors and windows                                                                                                      |
|                                                                            | Too many heat sources                         | Remove or shut off additional heat sources such as radio equipment, servers, etc.                                                     |
|                                                                            | The room/garage may be inadequately insulated | Properly insulate the room to be cooled, i.e. using fiberglass                                                                        |
|                                                                            | The ambient temperature is too high           | The unit may not work if the room temperature is above 90°F                                                                           |
|                                                                            | Direct sunlight is heating the room           | Close curtains or pull down blinds, and minimize the direct sunlight into the room                                                    |
|                                                                            | The filter may be dusty or blocked            | Clean the filter and replace it if needed                                                                                             |
|                                                                            | Dirty condenser coils                         | Carefully vacuum the coils clean                                                                                                      |
|                                                                            | Obstructed air intake or exhaust ports        | Remove anything blocking the ports                                                                                                    |
|                                                                            |                                               |                                                                                                                                       |

NOTE: If the ambient temperature is above 90°F the unit may not blow cold air.

TIP: Run the unit before it is needed. For example, run the unit in the morning before the area gets hot, and continue to run the unit all day long in order to maintain a low temperature.

## Specifications

|                         |                                |
|-------------------------|--------------------------------|
| Description of product  | Portable Air Conditioner       |
| Model                   | <b>AP14001HS</b>               |
| Voltage/Frequency       | 115V/60Hz                      |
| Input Power             | 1250W Cooling<br>1200W Heating |
| Current                 | 10.8A Cooling<br>10.5A Heating |
| Color                   | Black/Silver                   |
| Coolant                 | R-410A                         |
| Timer                   | 24 Hour                        |
| Dimensions<br>H x W x D | 35" x 18.75" x 15.75"          |
| Weight                  | 83.6 lbs                       |

# EDGESTAR<sup>®</sup> Product Warranty

| Warranty Period                        | Edgestar will be responsible for:                                                                                                   | Consumer will be responsible for:       |
|----------------------------------------|-------------------------------------------------------------------------------------------------------------------------------------|-----------------------------------------|
| 1st year                               | All costs for repairing or replacing parts and/or unit which proves to be defective. All transportation costs in the first 90 days. | All transportation costs after 90 days. |
| Limited 2nd-3rd year (compressor only) | Repairing or replacing any compressor which proves to be defective. (Labor not included)                                            | Labor and all transportation costs.     |

This product is warranted by EdgeStar and is subject to any conditions set forth as follows:

#### WHAT IS COVERED:

**One Year Parts and Labor:** For one year from the date of original retail purchase, EdgeStar will repair or replace any part free of charge including labor that fails due to a defect in materials or workmanship. EdgeStar will be responsible for all transportation costs for the first 90 days from original purchase date, after 90 days the consumer will be responsible. Labor will be performed free of charge at an authorized EdgeStar repair facility and EdgeStar will supply new, rebuilt, or refurbished parts free of charge. EdgeStar may request a defective part be returned in exchange for the replacement part. After the 12 month period, EdgeStar will no longer be responsible for labor charges incurred or replacement parts. All defective products and parts covered by this warranty will be repaired or replaced on a mail-in basis to an EdgeStar authorized repair facility.

**Three Year Limited Warranty (Compressor- Labor Not Included):** In the second through third year from the date of original retail purchase, EdgeStar will replace the compressor free of charge. The consumer will be responsible for all transportation and labor costs. EdgeStar will supply a new, rebuilt, or refurbished compressor and may request for the defective compressor to be returned in exchange. This limited 3-Year warranty is for the compressor only and does not include labor.

**All warranties apply to the original purchaser only**, and only covers defects in workmanship experienced during operation of the product under normal service, maintenance, and usage conditions. This warranty applies to the purchase and use of this product in residential settings within the United States of America. All products and parts replaced by EdgeStar under warranty service become the property of EdgeStar. All defective products and parts covered by this warranty will be repaired or replaced on a mail-in basis to an EdgeStar authorized repair facility.

**Exceptions: Commercial or Rental Use Warranty:** 90 days labor and parts from date of original purchase. No other warranty applies.

**OBTAINING WARRANTY SERVICE:** If you believe your product is defective, contact EdgeStar Customer Support for troubleshooting assistance and warranty service at [www.edgestar.com](http://www.edgestar.com) or call 1-866-319-5473. Before contacting Customer Support you are required to have your model number, serial number and proof of purchase available upon request. Once an EdgeStar authorized representative has confirmed that your product is defective and eligible for warranty service, the product must be returned to an EdgeStar authorized repair facility. EdgeStar is not responsible for damage resulting from shipper mishandling or improper packaging. Do not return a defective product to the place of purchase. Products received without a return authorization number will be refused.

*THIS WARRANTY IS IN LIEU OF ANY OTHER WARRANTY, EXPRESS OR IMPLIED, INCLUDING WITHOUT LIMITATION, ANY WARRANTY OF MERCHANTABILITY OR FITNESS FOR A PARTICULAR PURPOSE. TO THE EXTENT ANY IMPLIED WARRANTY IS REQUIRED BY LAW, IT IS LIMITED IN DURATION TO THE EXPRESS WARRANTY PERIOD ABOVE. NEITHER THE MANUFACTURER NOR ITS DISTRIBUTORS SHALL BE LIABLE FOR ANY INCIDENTAL, CONSEQUENTIAL, INDIRECT, SPECIAL, OR PUNITIVE DAMAGES OF ANY NATURE, INCLUDING WITHOUT LIMITATION, LOST REVENUES OR PROFITS, OR ANY OTHER DAMAGE WHETHER BASED IN CONTRACT, TORT, OR OTHERWISE. SOME STATES DO NOT ALLOW THE EXCLUSION OF INCIDENTAL OR CONSEQUENTIAL DAMAGES, SO THE ABOVE EXCLUSION MAY NOT APPLY TO YOU. THIS WARRANTY GIVES YOU SPECIFIC LEGAL RIGHTS. YOU MAY HAVE OTHER RIGHTS THAT VARY FROM STATE TO STATE.*

#### WHAT IS NOT COVERED- The following limitations apply to the coverage of this warranty. This warranty does not cover:

Labor charges for installation, setup or training to use the product. Shipping damage, and any damage caused by improper packaging for shipment to an authorized service center, and any damaged caused by improper voltage or any other misuse, including abnormal service, handling, or usage. Cosmetic damage such as scratches and dents. Normal wear and tear on parts or replacement of parts designed to be replaced, e.g. filters, cartridges, batteries. Service trips to deliver, pick-up, or repair, install the product, or to instruct in proper usage of the product. Damages or operating problems resulting from misuse, abuse, operation outside environmental specifications, uses contrary to instructions provided in the owner's manual, accidents, acts of God, vermin, fire, flood, improper installation, unauthorized service, maintenance negligence, unauthorized installation or modification, or commercial use. Labor, service transportation, and shipping charges for the removal and replacement of defective parts, beyond the initial 12 month period. Products that have been modified to perform outside of specifications without the prior written permission of EdgeStar. Products lost in shipment, or theft. Products sold AS IS or from an unauthorized reseller. Products that have had their serial numbers removed, defaced, or with serial numbers that have been invalidated. Damage from other than normal household use. Replacement or repair of household fuses, circuit breakers, wiring or plumbing. Damage to personal property from use of product. Damage from service other than from an authorized EdgeStar repair facility. Hoses, knobs, lint trays and all attachments, accessories and disposable parts. Any service charges not specifically identified as normal such as normal service area or hours. Any special or consequential damages arising out of the use of the product.

# EDGESTAR<sup>®</sup>

EdgeStar Products  
500 N. Capital of TX Hwy, Bldg 5  
Austin, TX 78746

Toll Free: 1-866-319-5473  
Web: <http://www.edgestar.com>  
E-mail: [service@edgestar.com](mailto:service@edgestar.com)

Register your product, download owner's manuals, access additional troubleshooting resources, and obtain more information on other great EdgeStar products on the web at: <http://www.edgestar.com>

Product contents and specifications may change without notice.

Copyright © 2012 Living Direct, Inc. All rights reserved.