



AGA TOTAL CONTROL

Model No. - TC3 & TC5

Installation Guide

REMEMBER: when replacing a part on this appliance, use only replacement parts that you can be assured conform to the safety and performance specification that we require. Do not use reconditioned or copy parts that have not been clearly authorised by AGA.

**PLEASE READ THESE INSTRUCTIONS BEFORE COMMENCING SITE SURVEY
OR INSTALLING THIS APPLIANCE.**

IMPORTANT : SAVE INSTRUCTIONS FOR THE LOCAL INSPECTORS USE
CUSTOMER: KEEP THESE INSTRUCTIONS FOR FUTURE REFERENCE



For use in USA/Canada

09/13 EINS 516294

CONTENTS

SECTION	PAGE
GENERAL NOTES	3
DELIVERY REQUIREMENTS	3
GENERAL INSTALLATION REQUIREMENTS	3
APPLIANCE DIMENSIONS - AGA TC3	4
APPLIANCE DIMENSIONS - AGA TC5	5
INSTALLATION	6
CONNECTING TO THE POWER SUPPLY - AGA TC3	8
POWER SUPPLY - HOTCUPBOARD (AGA TC5)	9
MAINS SUPPLY LOCATION - AGA TC3	10
MAINS SUPPLY LOCATION - AGA TC5	11
HOTCUPBOARD INSTALLATION	12
HANDRAIL CONNECTION - AGA TC3	17
MAINS CORD AND WIRING DIAGRAM - AGA TC3	18
WIRING DIAGRAM - AGA TC5 (HOTCUPBOARD)	19
INSTRUCTIONS	20

CAUTION:
THIS UNIT IS HEAVY, PROPER EQUIPMENT AND ADEQUATE
MANPOWER MUST BE USED IN MOVING THE RANGE TO
AVOID DAMAGE TO THE UNIT OR THE FLOOR

GENERAL NOTES

NOTE: THESE INSTALLATION INSTRUCTIONS SHOULD BE LEFT WITH THE APPLIANCE AND THE USER TO RETAIN FOR FUTURE REFERENCE.

Before installation of an AGA can be made, the site is inspected for suitability by an authorized AGA distributor and corrected where necessary to conform with local or regional electrical codes.

<p>USA Model Number AGA TC3 FCC ID: A2M-AGA-TC3 FCC ID: A2M-AGA-TC3CKR</p> <p>This device complies with part 15 of the FCC Rules. Operation is subject to the following two conditions: (1) This device may not cause harmful interference, and (2) this device must accept any interference received, including interference that may cause undesired operation.</p>	<p>CANADA Model Number AGA TC3 IC: 10181A-AGATC3CKR</p> <p>Model Number AE4M280526 IC: 10181A-AGATC3</p>
---	--

DELIVERY REQUIREMENTS

The AGA TC3 arrives on 1 pallet.

The AGA TC5 (Hotcupboard Option) arrives on 2 pallets.

There must be access to the kitchen to manipulate a foot print of 39 ⁹/₁₆" (1005mm) x 29 ¹/₈" (740mm). A wooden template (skate with castor wheels) of dimensions 39 ⁹/₁₆" (1005mm) x 29 ¹/₈" 740mm could be used to check if the AGA Total Control fully built appliance is able to fit through the property grounds and doors into its installation position in the kitchen. It must also be considered that the height of the appliance is 37 ⁶/₈" (960mm) off pallet and 43 ²/₈" (1100mm) on the pallet, so high level obstacles/restrictions must not be overlooked.

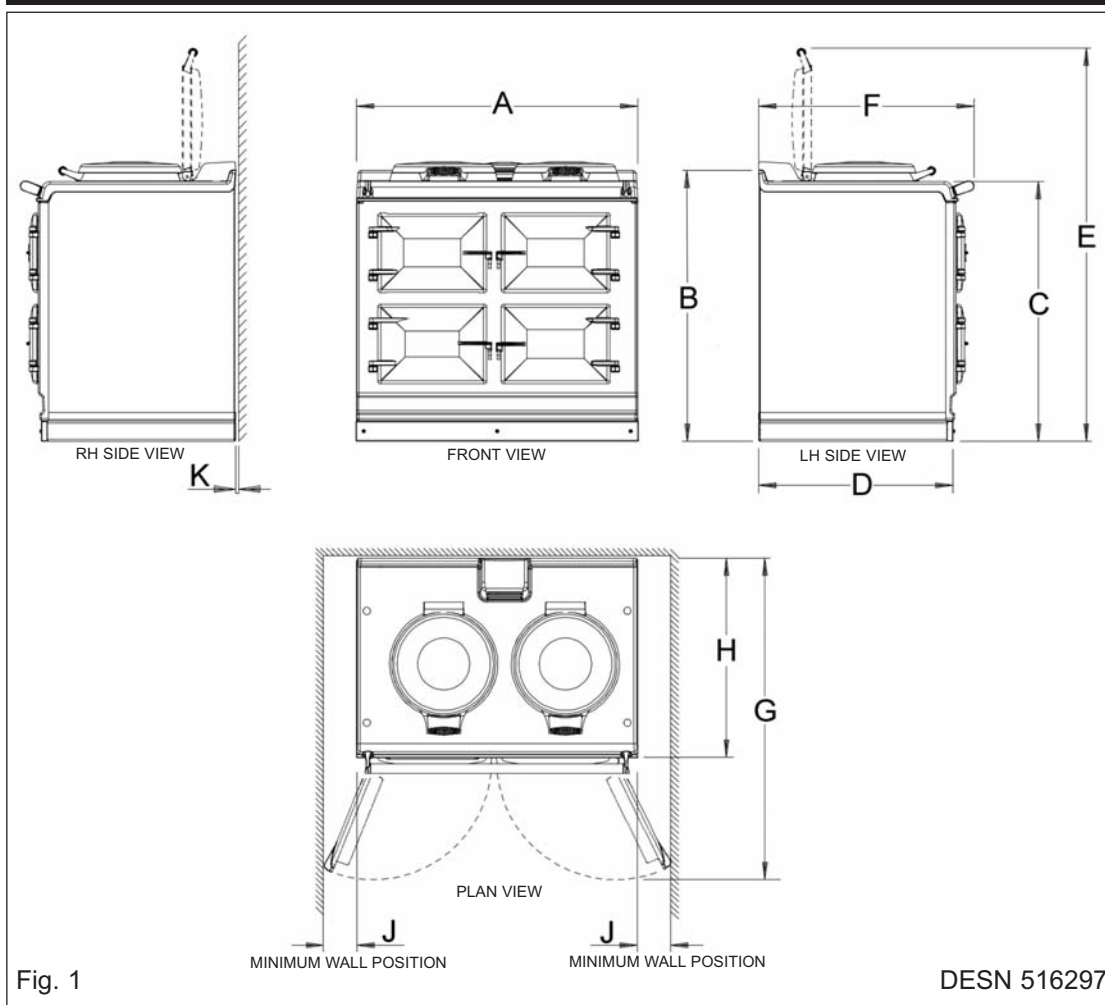
If this skate/template **can** be manipulated through the property grounds and doors into position, then the AGA Total Control can be installed as intended with no re-work.

GENERAL INSTALLATION REQUIREMENTS

The installation of the range must be in accordance with the relevant requirements of the local Wiring and Building Regulations. It should be in accordance also with any relevant requirements of the Local Authority.

In your own interest and that of safety to comply with the law, all appliances should be installed by an authorized AGA distributor in accordance with the relevant regulations.

APPLIANCE DIMENSIONS - AGA TC3



	A	B	C	D	E	F	G	H	J	K
mm	987	945	910	680	1385	760	1145	698	116	10
ins	38 ⁷ / ₈	37 ³ / ₁₆	35 ¹³ / ₁₆	26 ³ / ₄	54 ¹ / ₂	29 ¹⁵ / ₁₆	45 ¹ / ₁₆	27 ¹ / ₂	4 ⁹ / ₁₆	³ / ₈

Cooker Dimensions

When surveying for a cooker installation the actual clearance required for the 'body' of the appliance should be increased by 3/8" (10mm) beyond the figures quoted above. This allows safe margin to take into account the natural dimensional variations found in major castings. In particular the width across the appliance recess could be critical.

APPLIANCE WEIGHT

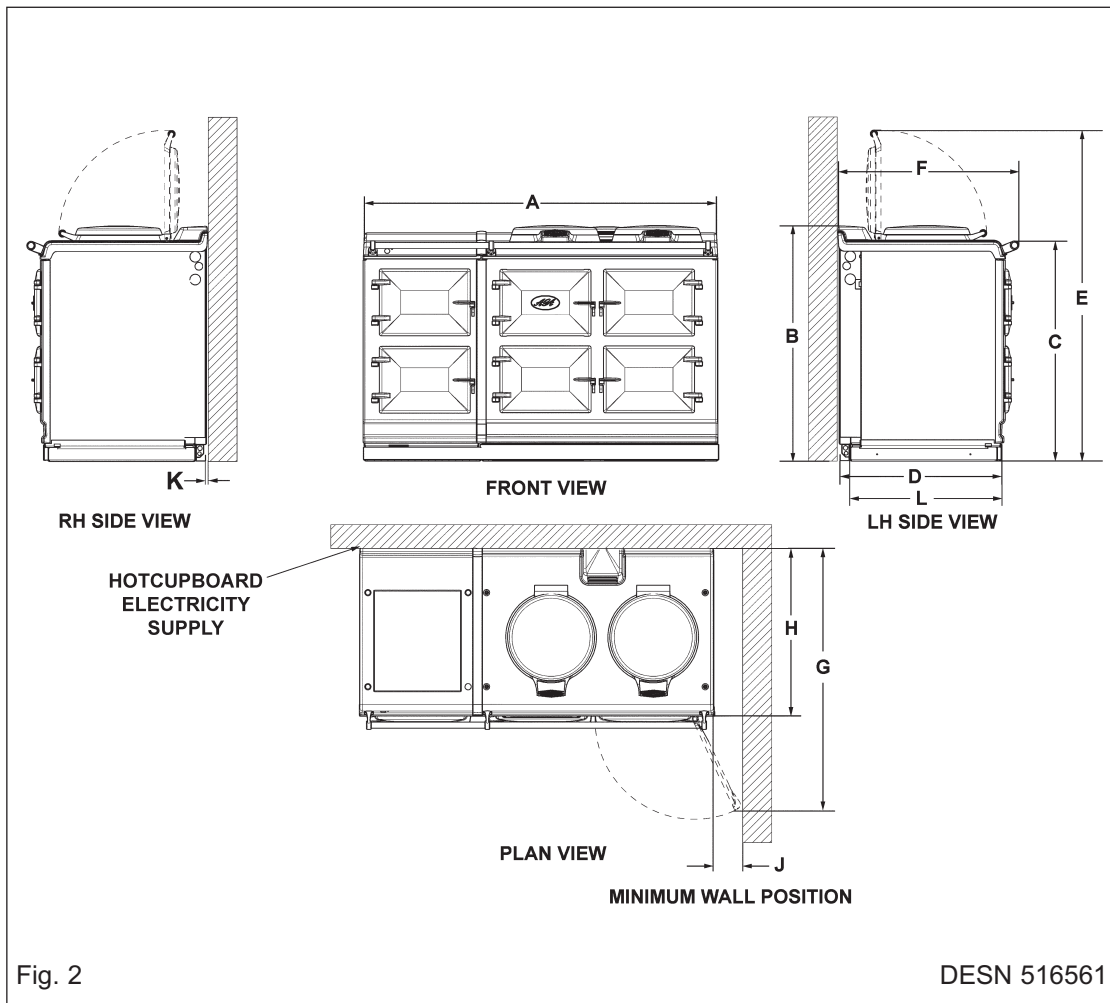
Model: AGA Total Control (TC3) - 816 lbs (370 Kg)

PACKAGING WEIGHT

1135 lbs (515 Kg)

DATA PLATE LOCATED BEHIND BOTTOM PLINTH.

APPLIANCE DIMENSIONS - AGA TC5



	A	B	C	D	E	F	G	H	J	K	L
mm	1478	945	910	680	1385	760	1145	698	116	10	634
ins	58 ¹³ / ₁₆	37 ³ / ₁₆	35 ¹³ / ₁₆	26 ³ / ₄	54 ¹ / ₂	29 ¹⁵ / ₁₆	45 ¹ / ₁₆	27 ¹ / ₂	4 ⁹ / ₁₆	³ / ₈	24 ³¹ / ₃₂

Cooker Dimensions

When surveying for a cooker installation the actual clearance required for the 'body' of the appliance should be increased by 10mm beyond the figures quote above. This allows safe margin to take into account the natural dimensional variations found in major castings. In particular the width across the appliance recess could be critical.

APPLIANCE WEIGHT

Model: AGA Total Control (TC3) - 816 lbs (370 Kg)

Hotcupboard - 110kg

INSTALLATION

Range Base or Hearth

It is essential that the base or hearth on which the range stands should be level and be capable of supporting the total weight of the range. The base of the built-in AGA plinth must be level and sit above finished floor height for service access.

Plinth

The front plinth cover is removable and must not be obstructed by flooring or tiles. If necessary the cooker must be raised by the thickness of the tiles to ensure the plinth can be removed.

Minimum Clearance to Combustibles

A gap of at least $\frac{1}{2}$ " must be observed between the rear of the top plate, and the wall behind the appliance. If the rear wall is of combustible material there must be a gap of 1" (25mm).

Side Clearances

A $\frac{1}{8}$ " (3mm) gap is required each side between the cooker top plate and adjoining work surfaces that may be fitted, this is to allow for the safe removal of the top plate should this be required at a later date.

Where cookers are fitted against side walls a $4\frac{9}{16}$ " (116mm) side clearance is required on the right and left hand side for oven doors access.

If the AGA is to be installed in a brick recess, then the minimum clearance should be increased by at least $\frac{3}{8}$ " (10mm), to allow for the walls not being square.

In addition a minimum clearance of $39\frac{1}{2}$ " (1000mm) must be available at the front of the cooker to enable the cooker to be serviced.

Tiling

When the cooker is to stand in a recess or against a wall which is to be tiled, under no circumstances should the tiles overlap the cooker top plate, access to remove the hotplate must be allowed for servicing at a later date.

Overhead Cabinets

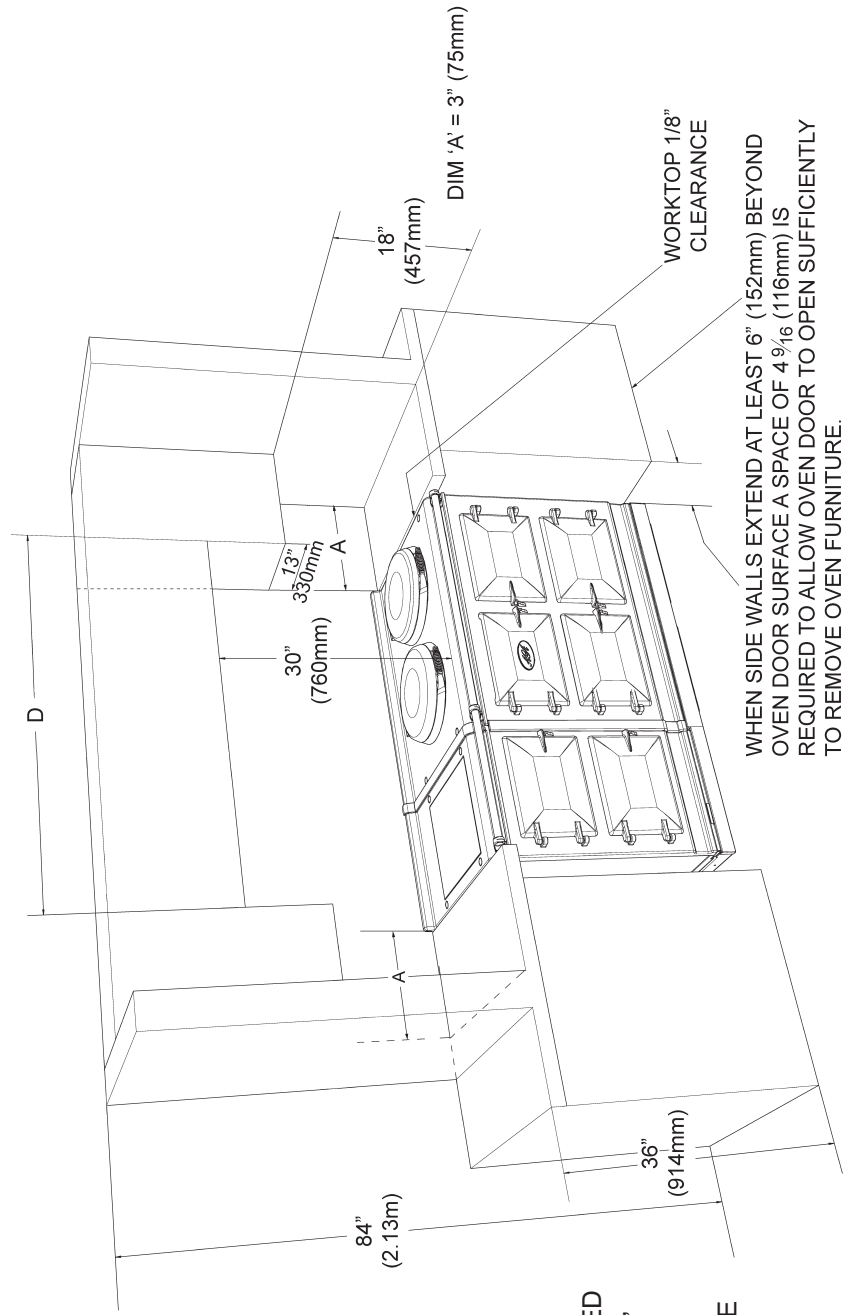
To eliminate the risk of burns or fires by reaching over hot surface units, cabinet storage space located above the surface units should be avoided.

Range Hoods

It is recommended that this AGA is fitted with a range hood. The AGA venting system is located on top of the AGA between the two hotplates, and is designed for venting the moisture from the ovens. The cooker hood should be positioned not less than the minimum height as recommended by the manufacturer, from the top of the AGA.

Installation Clearance of Combustible Cabinets Adjacent to Range

1/2" CLEARANCE TO THE BACK OF THE STOVE MAY BE OBTAINED WHEN INTALLING THE APPLIANCE AGAINST A NON-COMBUSTIBLE WALL OR IF THE WALL IS BEHIND THE STOVE IS DEEMED COMBUSTIBLE THEN THE MINIMUM SPACING FROM THE BACK OF THE STOVE TO THE NEAREST COMBUSTIBLE WALL IS 1".



NOTE: ANY OVERHEAD FITTED CABINETS MUST NOT EXCEED 13" PROJECTED DEPTH ABOVE THE RANGE. DIM 'D' TO BE NOT LESS THAN THE NORMAL WIDTH OF THE APPLIANCE.

WHEN SIDE WALLS EXTEND AT LEAST 6" (152mm) BEYOND OVEN DOOR SURFACE A SPACE OF 4 9/16" (116mm) IS REQUIRED TO ALLOW OVEN DOOR TO OPEN SUFFICIENTLY TO REMOVE OVEN FURNITURE.

Fig. 3

DESN 516589

CONNECTION TO THE POWER SUPPLY - AGA TC3



Electric Shock Hazard

Rating Plate is located behind removable plinth, see Fig. 4.

Electrical Grounding is required on this appliance.

DO NOT connect to the electrical supply until the appliance is permanently grounded.

Disconnect the power to the junction box before making the electrical connection.

This appliance must be connected to a grounded metallic permanent supply or a grounding connector should be connected to the grounding terminal or wire lead on the appliance.

Failure to follow these instructions could result in death or serious injury.

This range must be supplied with a 240V, 60Hz power supply and connected to an individual, properly grounded branch circuit protected by a circuit breaker or time delay fuse. At 240V, it has a maximum load of 36 amps. Electric hook-up must be done by a licensed electrician. This unit must be installed according to local code, or in the absence of local codes, the National Electrical Code for the country of installation.

Wire sizes (**COPPER WIRE ONLY**) and connections must conform with the rating of the range (36-amperes).

- Product installation requires a separate (not shared) 240v/40 amp circuit protected by an appropriate branch circuit supply.
- A time-delay fuse or circuit breaker is required.
- The service cord provided on your product is fitted with a standard four (4) conductor type 14-50P plug, (matching receptacle 14-50R).
- The wiring diagram is located on Page 18.

The method of connection to the mains electricity supply must facilitate complete electrical isolation of the appliance.

The mains connection and isolation should not be positioned above the range and must be positioned within the area defined in Fig. 4, Page 10.

THIS APPLIANCE MUST BE COMPLETELY ISOLATED FROM THE ELECTRICITY SUPPLY BEFORE SERVICING. THE APPLIANCE IS DESIGNED FOR THE VOLTAGE STATED ON THE RATING PLATE, WHICH IS SITUATED BEHIND THE PLINTH COVER.

POWER SUPPLY - HOTCUPBOARD (AGA TC5)

The hotcupboard attachment requires an independent single phase supply. It has a maximum load of 6 amps, protected by an appropriate branch circuit supply.

110/120V 60 Hz FLEXIBLE CORD AND PLUG PARALLEL TYPE. The appliance when installed, must be electrically grounded in accordance with local or regional codes.

An electrical socket must be provided within 5 feet of the LH side of the appliance and easily accessible to the user to disconnect. Do not position socket above the appliance.

Take special care when cutting holes in wall or floor. Electrical wires may be behind the wall or floor covering and could cause an electrical shock if you touch them.

Locate any electrical circuits that could be affected by the installation of this product and disconnect power circuit.

WARNING Electrical Grounding Instructions

This appliance is equipped with a (three prong) grounding plug for your protection against a shock hazard and should be plugged directly into a proper receptacle. Do not cut or remove the grounding prong from this plug.

Do not have a fuse in the neutral or grounding circuit. A fuse in the neutral or grounding circuit could result in electrical shock.

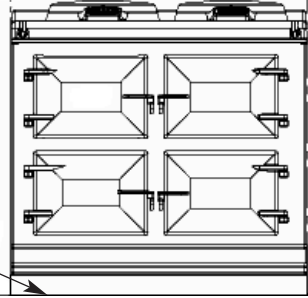
Do not use an extension lead with this appliance.

Check with a qualified electrician if you are not sure the appliance is properly grounded.

Failure to follow these instructions could result in death or serious injury.

MAINS SUPPLY LOCATION - AGA TC3

RATING LABEL LOCATED
BEHIND PLINTH, PULL
TO REMOVE

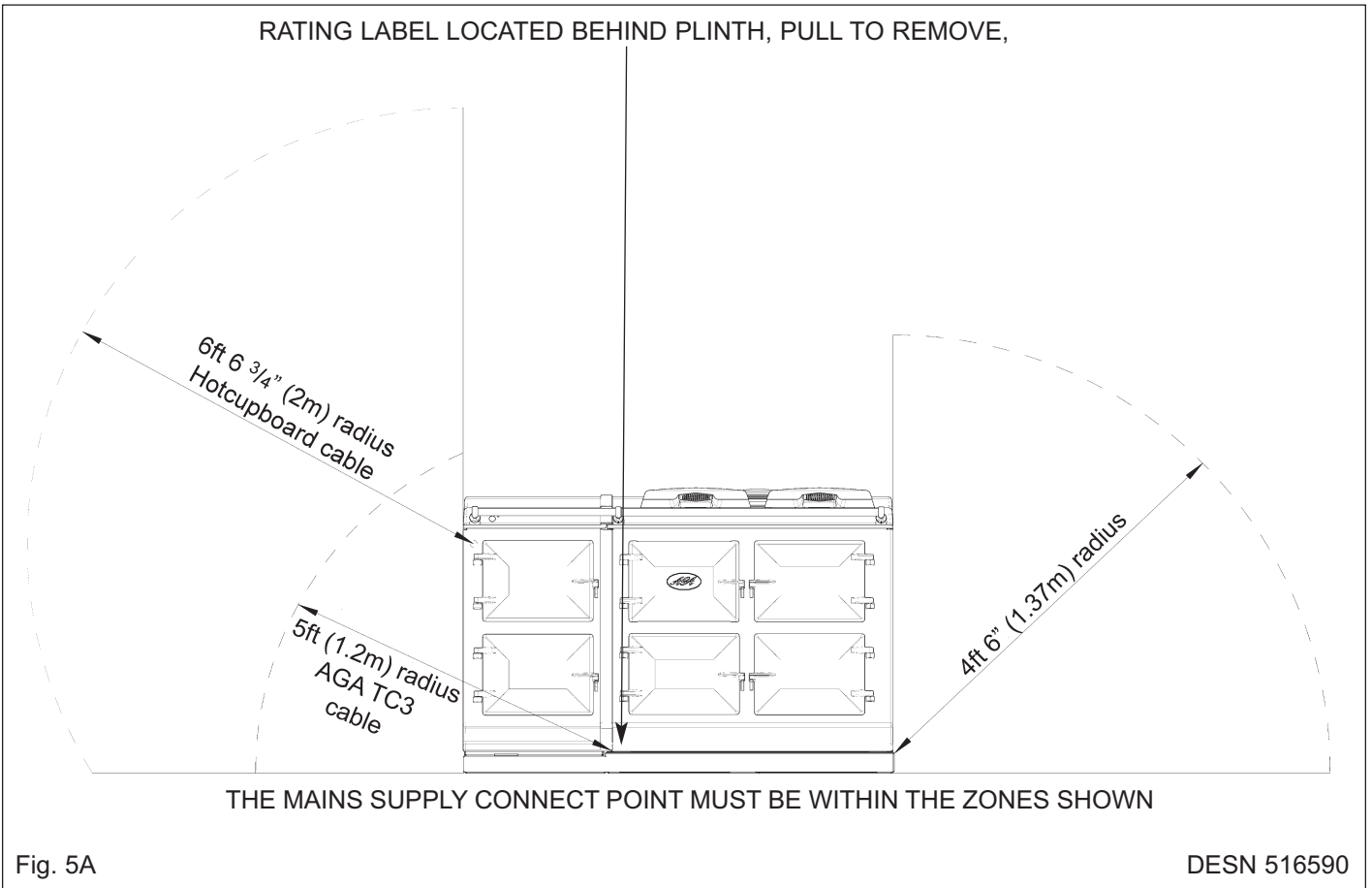
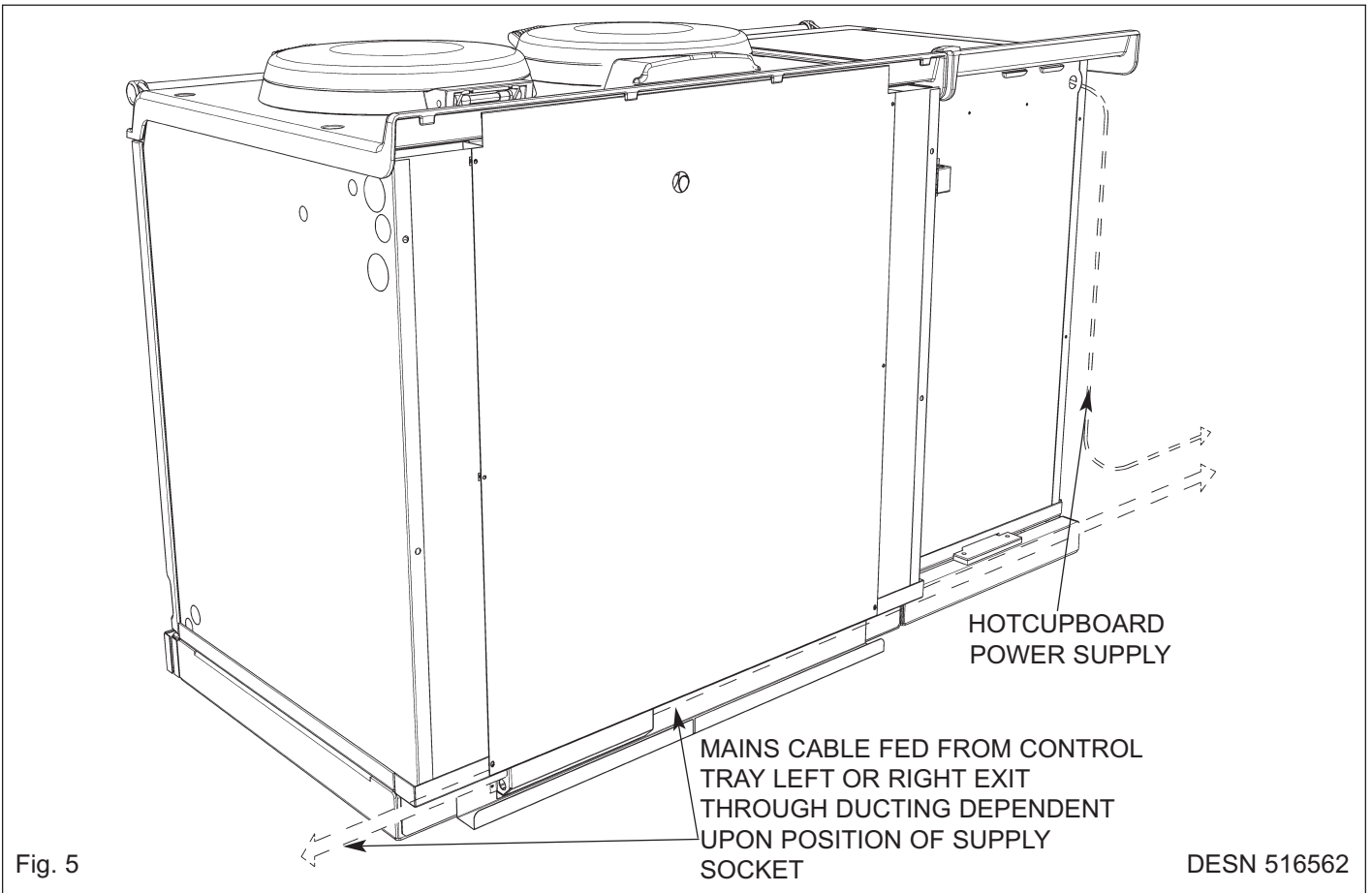


THE MAINS SUPPLY CONNECTION AND ISOLATION POINT MUST BE WITHIN
THE ZONE SHOWN

Fig. 4

DESN 516295

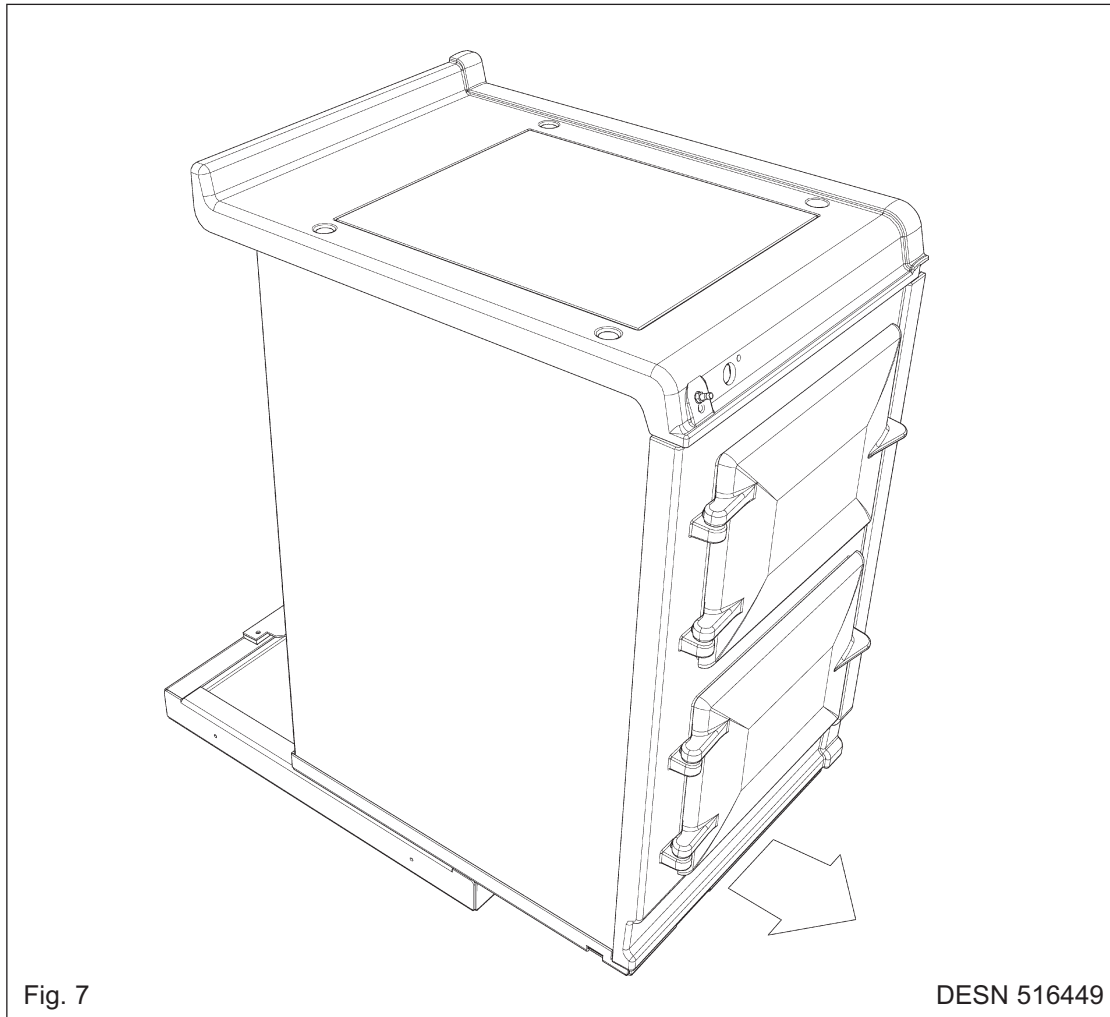
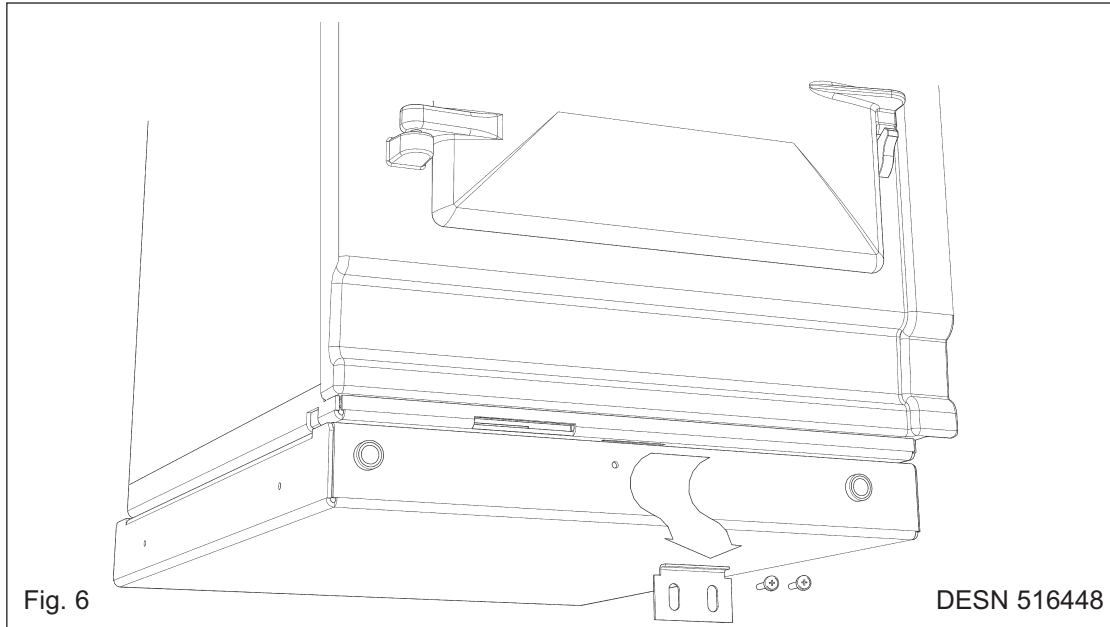
MAINS SUPPLY LOCATION - AGA TC5



HOTCUPBOARD INSTALLATION

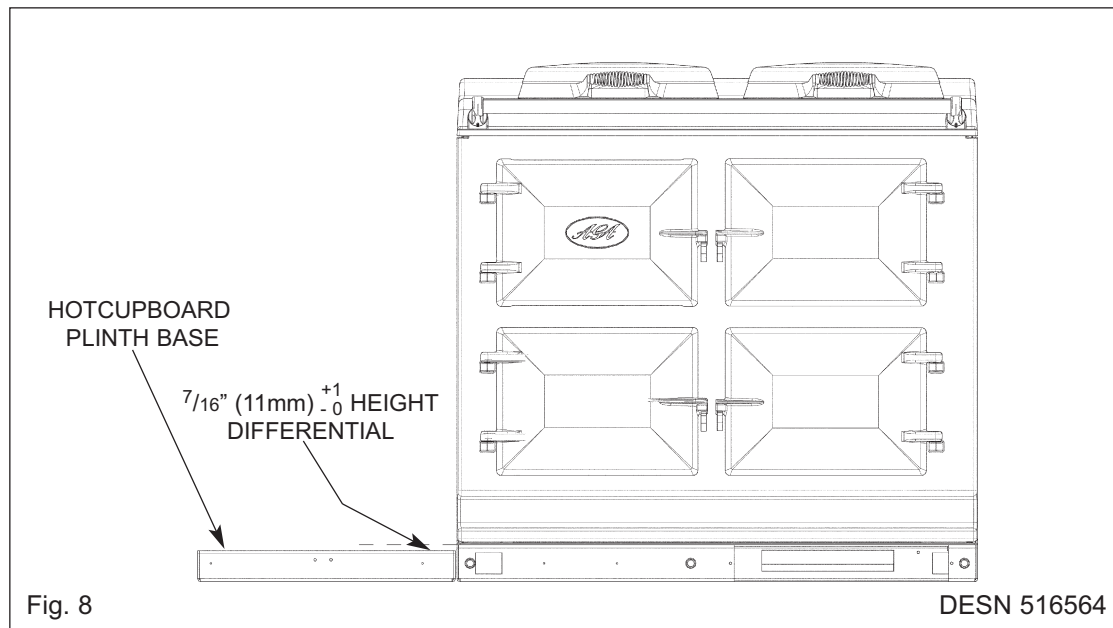
NOTE: The AGA TC5 hotcupboard should arrive with the top plate in a jacked up position. This is to allow the complete appliance to be slid onto its plinth when alongside the AGA TC3 without the top plate clashing. The hotcupboard top plate should then be wound down to its correct height once the appliance is in its final position.

1. Detach hotcupboard from the plinth by removing two screws and tongue bracket from plinth (See Fig. 6). Slide hotcupboard forwards and away from rear fixing bracket (See Fig. 7).



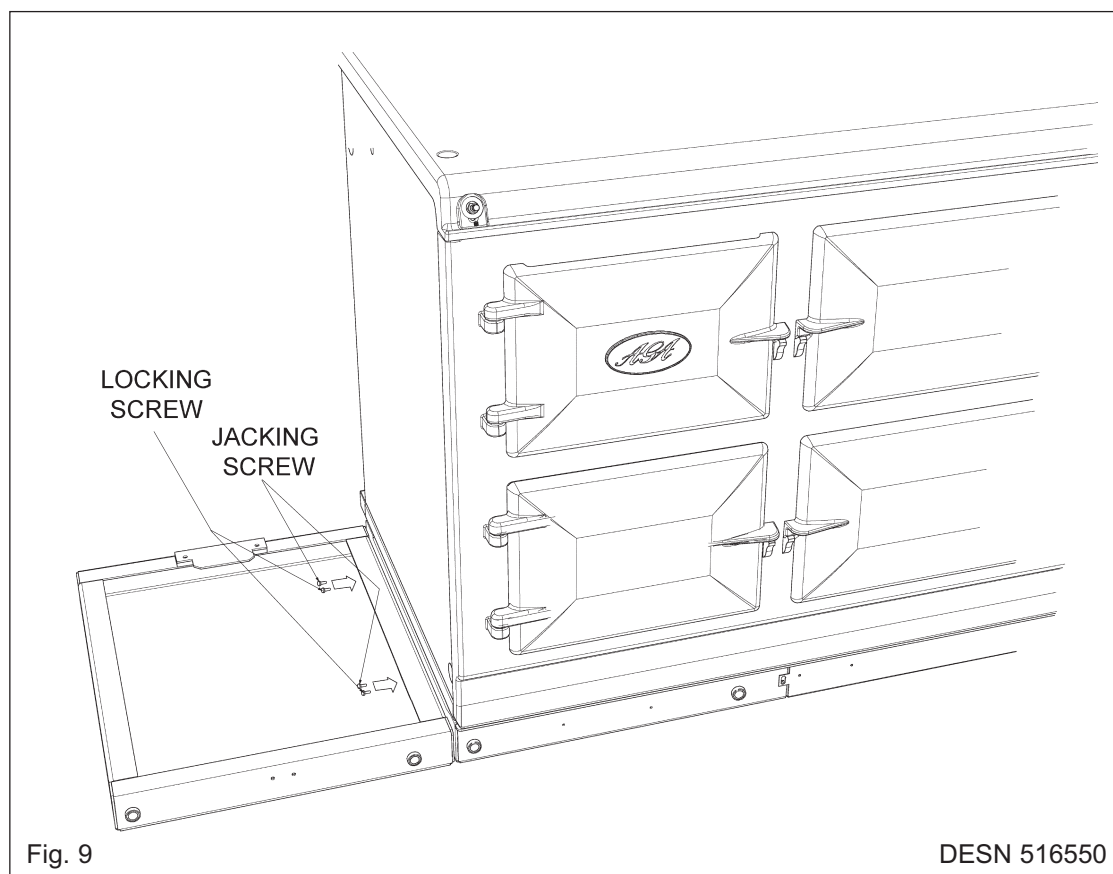
2. Position the plinth alongside the AGA Total Control leaving no gap between the two plinths (See Fig. 8).

Check with a spirit level that the plinth level is correct, and also check height differential between the hotcupboard plinth and Total Control plinth is correct $\frac{7}{16}$ " (11mm). If necessary, use shims in each corner to level the plinth.



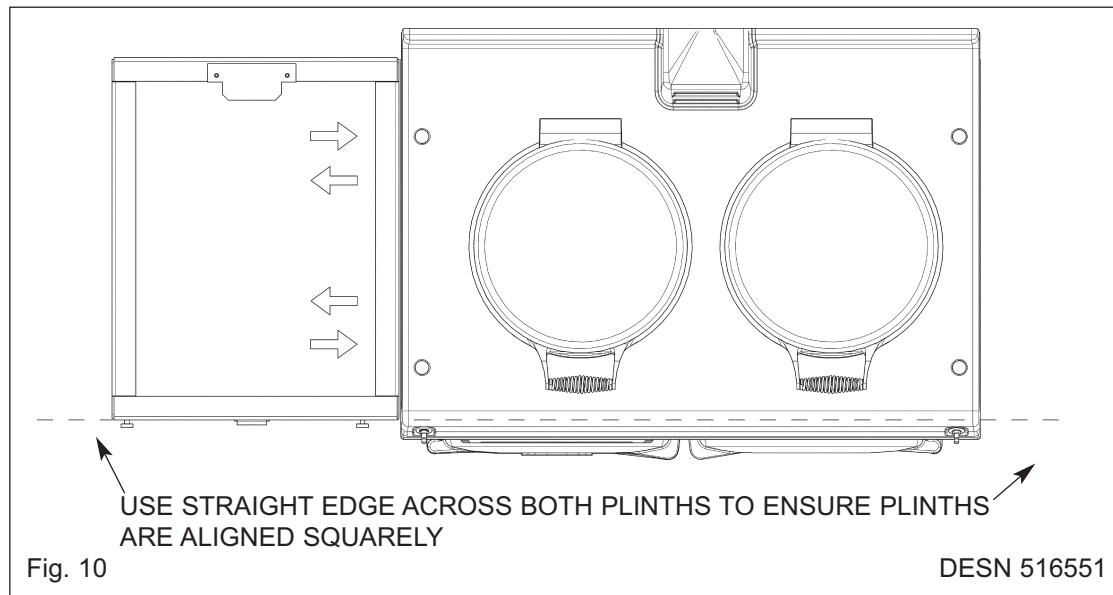
3. Attach hotcupboard plinth to the AGA Total Control plinth using M6 screws and washers provided (See Fig. 9).

Attach locking screw and jacking screw into plinth. Make sure at this stage that the jacking screw does not protrude beyond outer face of plinth. Ensure locking screw is located into AGA TC3 plinth but not fully tightened. A gap of approximately 3mm should be present between the plinths apart from at the very front where the hotcupboard spacer plate should be touching the AGA TC3 plinth,

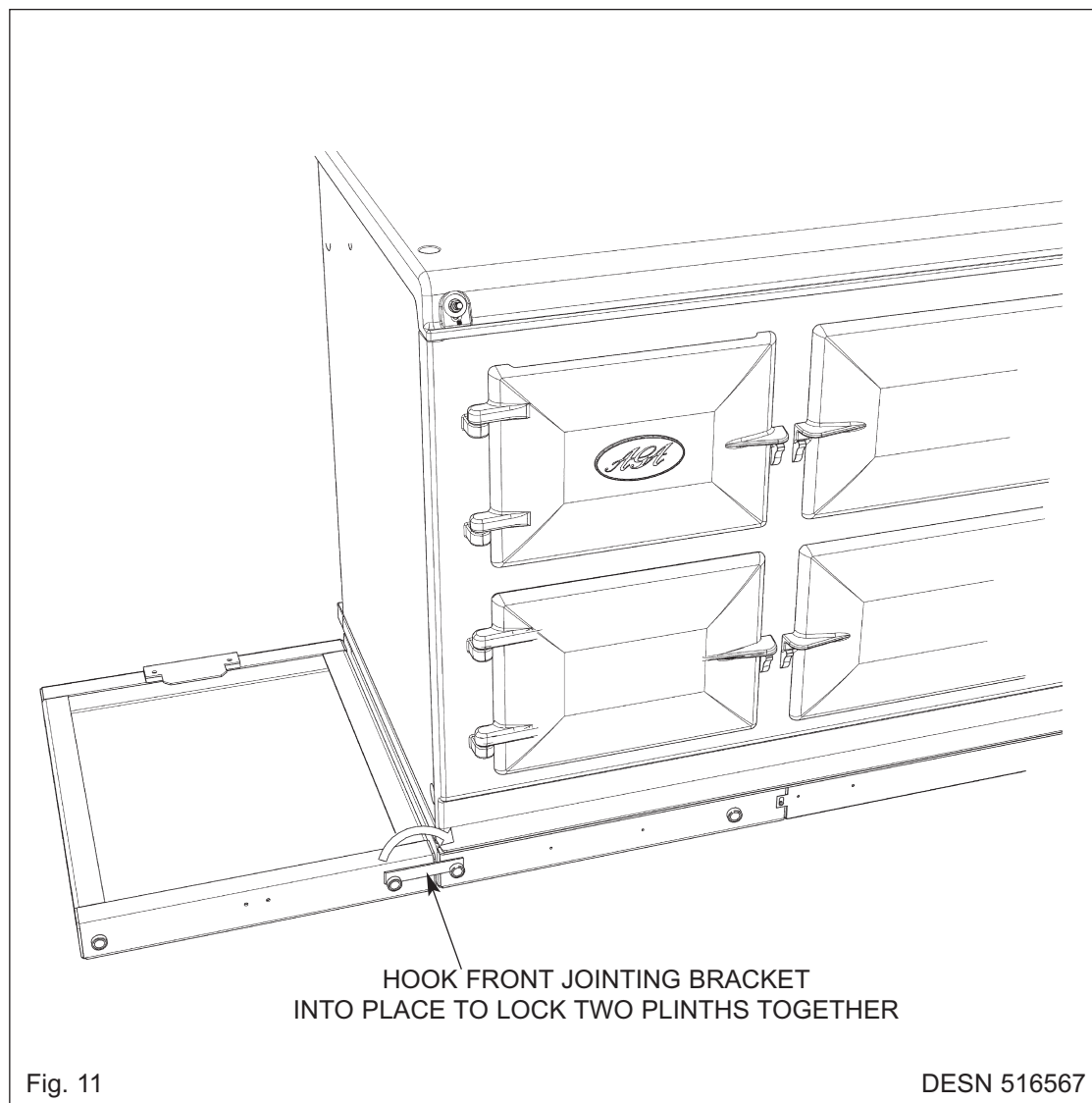


4. Run a straight edge along the front of the AGA Total Control plinth, to ensure the front face of both plinths sit squarely against the straight edge. (See Fig. 10)

When satisfied both plinths sit squarely, jacking screws can be tightened until they just make contact with the AGA Total Control plinth and locking screws can now be tightened.



5. Front jointing bracket can now be hooked into place over the two pot magnets. This will latch the two plinths together. (See Fig. 11)



- Slide hotcupboard onto plinth until rear tongue bracket engages fully into rear of base slot, (See Fig. 12). Ensure the appliance is aligned squarely with the plinth then proceed to engage the front tongue bracket into the slot on the underside of the base plate. Once satisfied that the front tongue bracket is engaged fully lock it into place by tightening the two M6 screws fully.

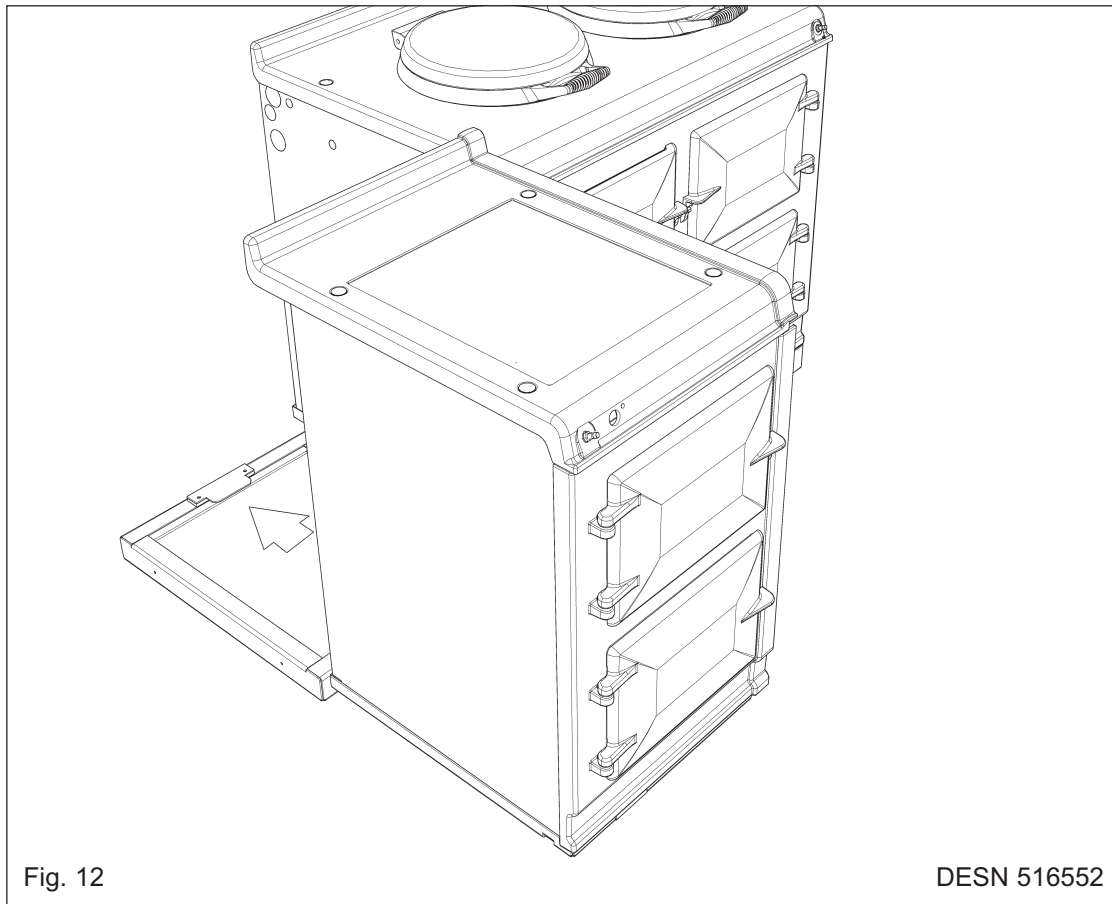


Fig. 12

DESN 516552

- The hotcupboard top plate is set $1\frac{3}{64}$ (5mm) higher than the AGA Total Control top plate. This is to prevent damage to the enamel during installation. Lower the top plate using the adjusters (See Figs. 13 and 14).

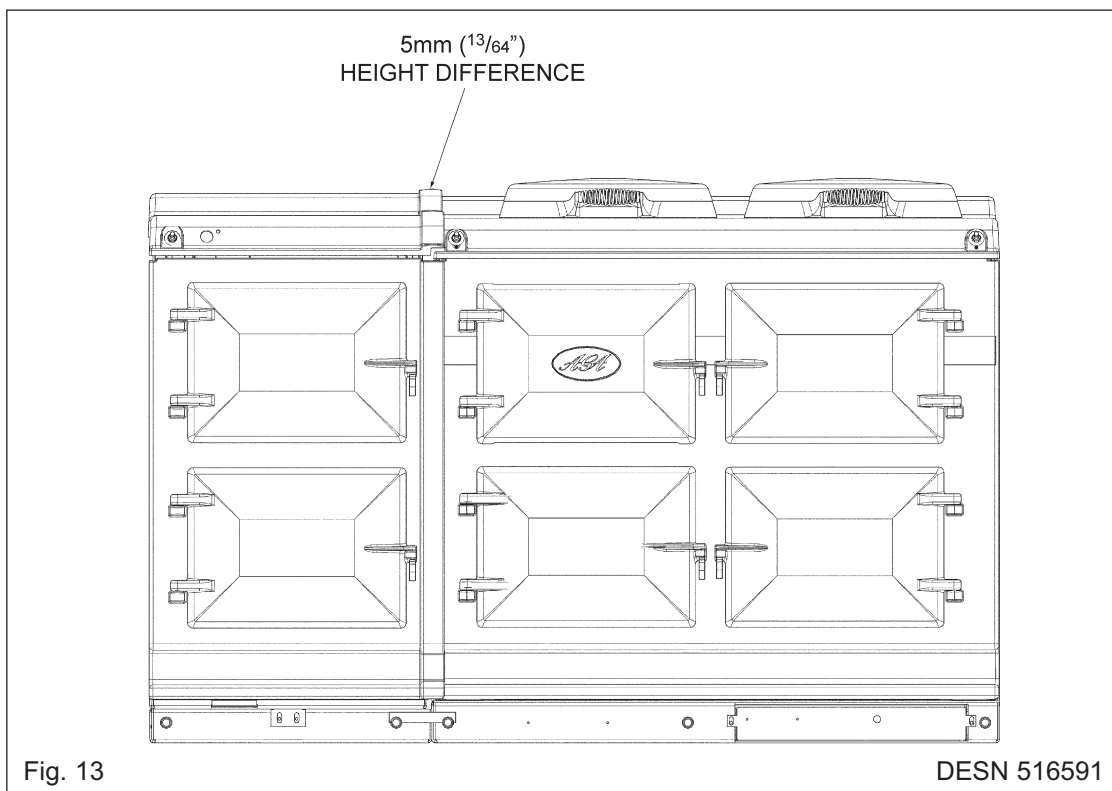


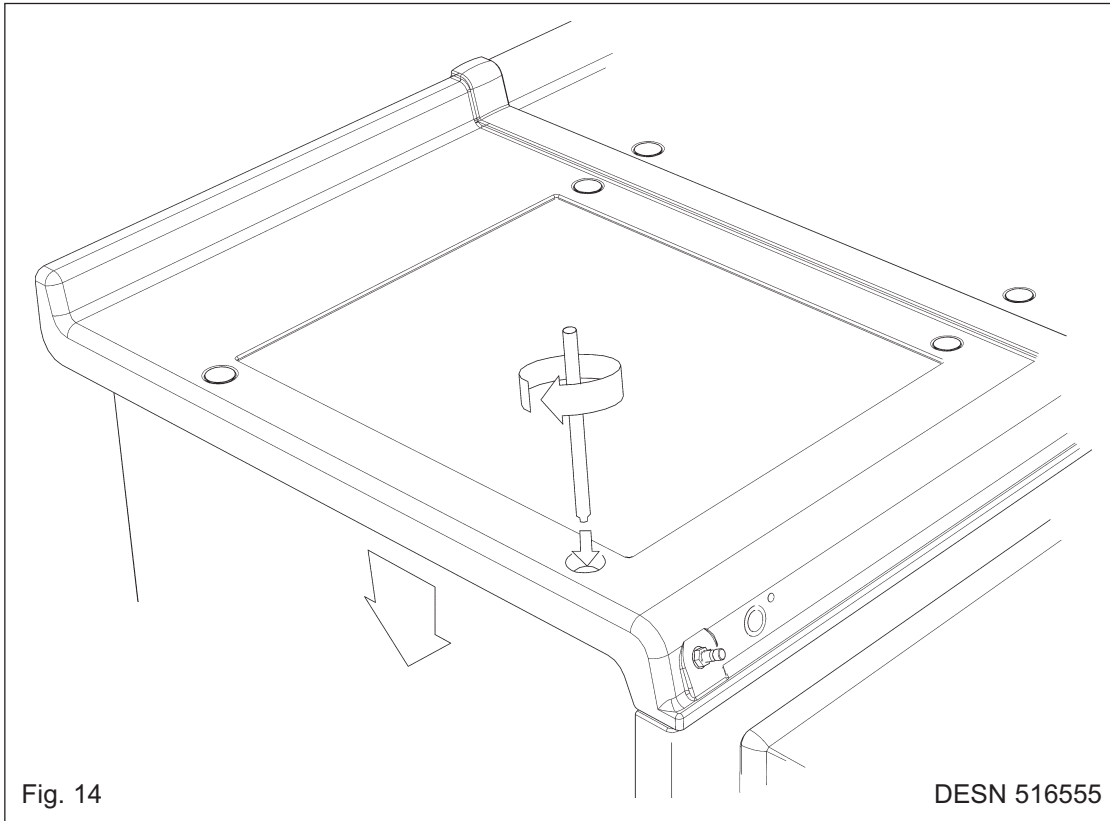
Fig. 13

DESN 516591

- Using the stay rod nut adjusting tool, carefully lower the top plate adjusting nuts until the top plate sits at the required height, making sure that the top sits level and matches the height of the AGA TC3. (See Fig. 14).

For servicing requirement, top plate should be removed by raising adjusters approximately 5mm, the top plate can now be removed easily without causing damage to the enamelled surfaces.

When removing the top plate, the switch wiring harness should be disconnected from the main wiring harness at the connection point located at the front left hand side of the appliance, beneath the formex cover sheet.



- Slide the complete handrail assembly over the left hand and centre fixing studs. Once the assembly has been fitted to the AGA appliance, fit the handrail endcaps (ensuring the handrail is evenly spaced at each end). The endcaps should be carefully pushed into place until they sit flush with the outside face of each bracket. (A light smear of lubricant, such as washing up liquid can be applied to the end cap rubber 'O' rings to aid fitment of endcaps into handrail if required).

The handrail can now be locked into place using the grub screws on the underside of the handrail brackets.

Finally fit plinth fascia onto magnets positioned on plinth, ensuring the fascia sits squarely and centrally.

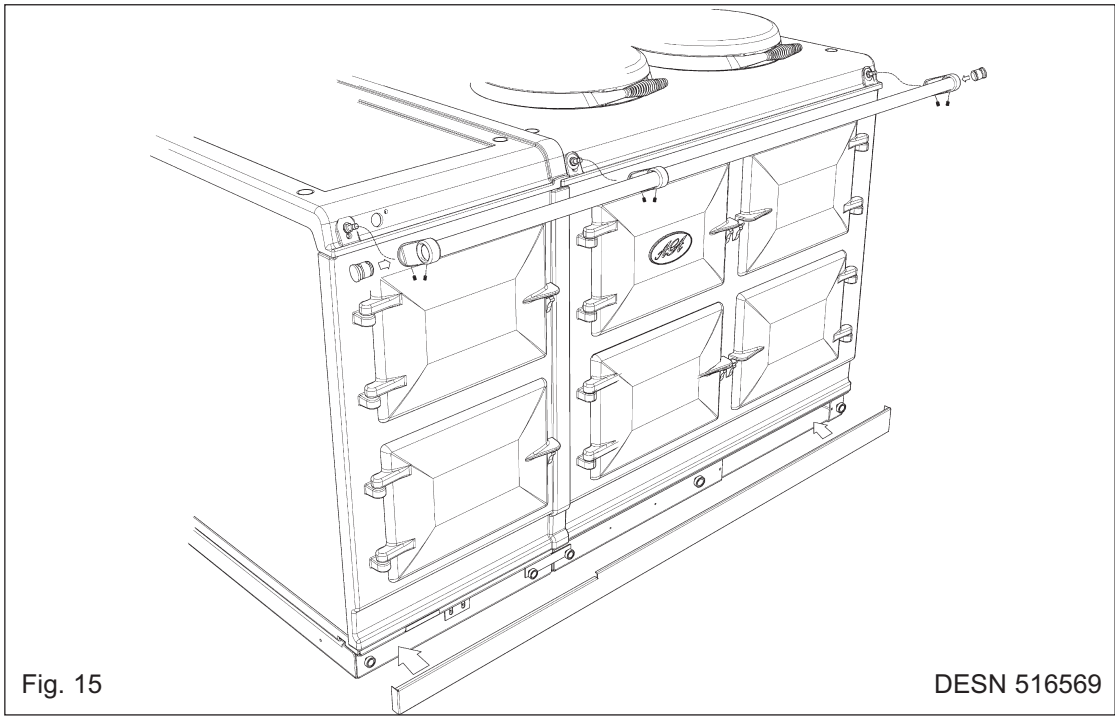


Fig. 15

DESN 516569

HANDRAIL CONNECTION - AGA TC3

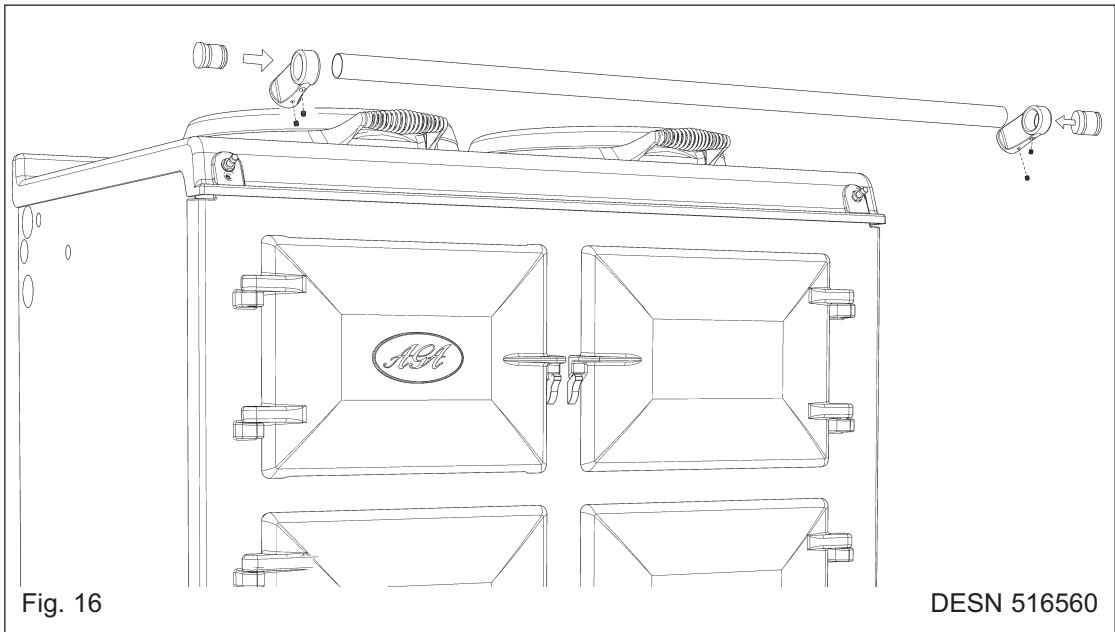


Fig. 16

DESN 516560

Handrail brackets, endcaps and handrails require assembly.

Locate endcaps onto handrail, place brackets over endcaps and then slide complete assembly onto locating studs.

Once assembly is correctly located, lock into position with grub screws (located on underside of handrail).

MAINS CORD AND WIRING DIAGRAM - AGA TC3

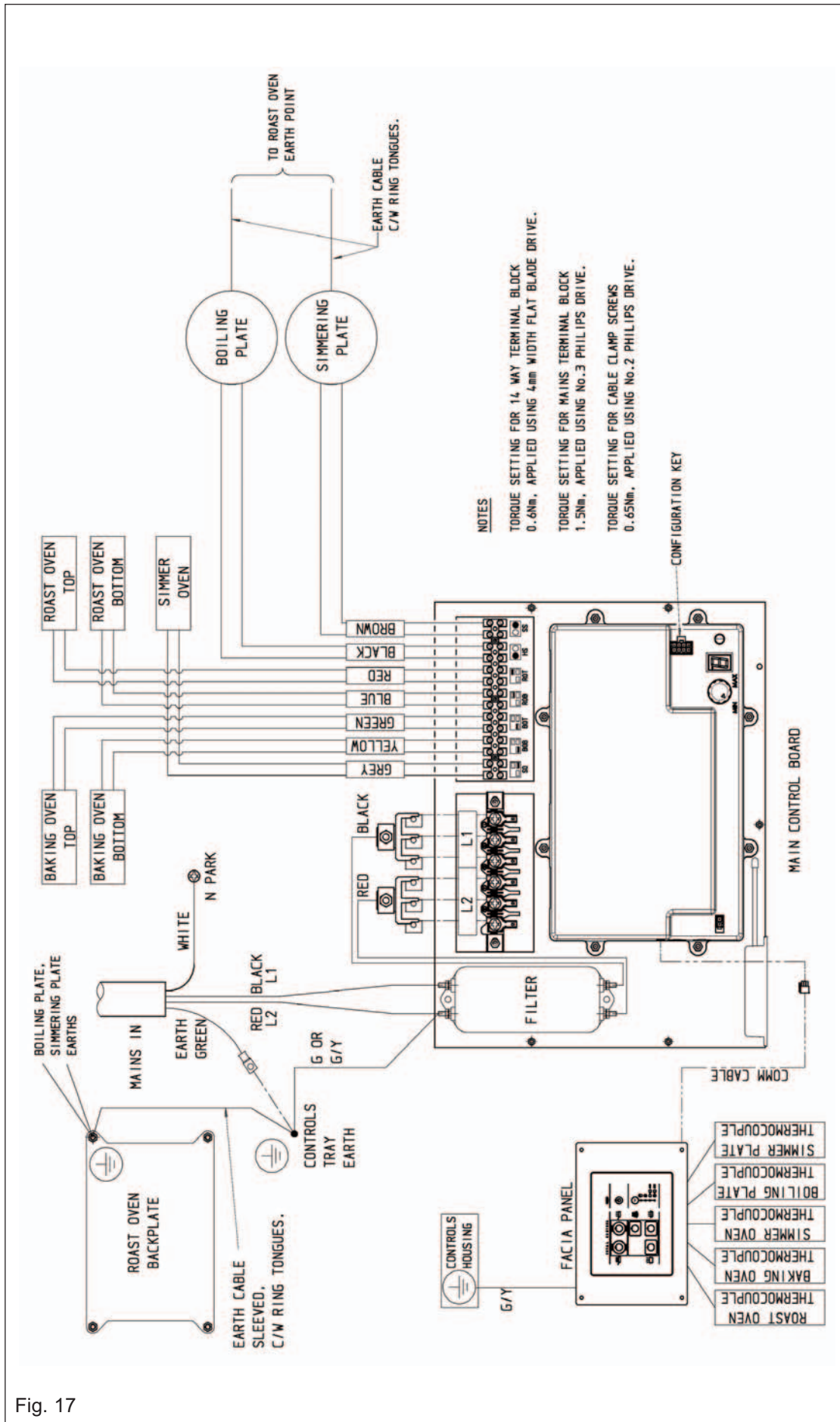


Fig. 17

INSTRUCTIONS

Attach warning hanger (EGLL516660) located in literature pack, to AGA Total Control handrail when installation is complete. Advise customer to remove and read warning label.

Hand this Installation Guide to the user for retention and instruct in the safe operation of the appliance.

Also advise the user that, for continued efficient and safe operation of the appliance, servicing is carried out at intervals recommended by the AGA distributor.

**For further advice or information contact
your local AGA Specialist**

With AGA's policy of continuous product improvement, the Company reserves the right to change specifications and make modifications to the appliance described and illustrated at any time



US Office:

AGA MARVEL
1260 E Van Deinse St.
Greenville, MI 48838

www.agamarvel.com