

## BI605 Series

34.38" x 23.63" x 24.25" (H x W x D)

Built-in refrigerator-freezers with auto or manual defrost, available in a range of styles and with customizable frames

### Highlights:

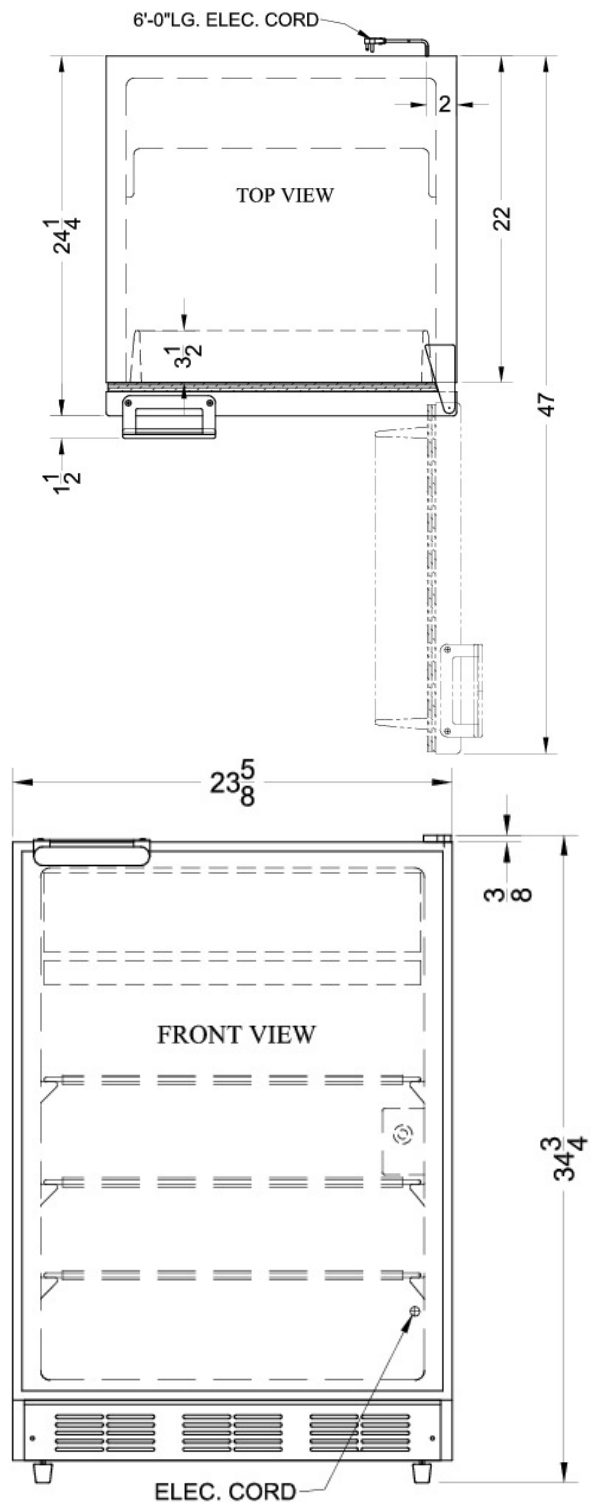
- Flexible design allows built-in or freestanding use
- Insert a custom panel on the door for the perfect look
- Options available in automatic or manual defrost
- Perfectly sized to fit under counters and in tight 24 inch spaces



|                              |   |
|------------------------------|---|
| Built-in capable             | Make the best use of space by installing your refrigerator-freezer under the counter                          |
| Large capacity               | Interior offers a full 6 cubic feet of storage space  |
| Adjustable shelves           | Rearrange your refrigerator space to accommodate all shapes and sizes or remove shelves for a simple clean-up |
| Adjustable thermostat        | Manage your food's temperature with ease and accuracy   |
| Digital thermostat           | Get the most precise temperature management with a digital thermostat, standard on "FF" auto defrost units    |
| Automatic defrost            | "FF" units use automatic defrost operation in both the refrigerator and freezer compartments                  |
| Manual defrost               | No temperature fluctuations with a static manual defrost system that keeps the cold inside                    |
| Interior light               | Automatically illuminates when you open the door  |
| Slim undercounter dimensions | Perfectly sized at 24 inches wide for easy placement in any location  |
| Stainless steel door frame   | Models ending in "FR" let you customize your front by inserting a panel on the door frame                     |

## Specifications:

|                          |                |
|--------------------------|----------------|
| Height                   | 34.38"         |
| Width                    | 23.63"         |
| Depth                    | 24.25"         |
| Capacity                 | 6.1 cu.ft.     |
| Ext Depth with Handle    | 25.75"         |
| Interior Height 1        | 20.25"         |
| Interior Width 1         | 21.0"          |
| Interior Depth 1         | 20.5"          |
| Interior Height 2        | 5.0"           |
| Interior Width 2         | 21.0"          |
| Interior Depth 2         | 20.5"          |
| Weight                   | 130.0 lbs.     |
| Amps                     | 0.9            |
| Energy Usage/Year        | 342.0 kWh/year |
| Voltage/Frequency        | 115 V AC/60 Hz |
| US Electrical Safety     | UL             |
| Door Swing               | RHD            |
| Shelf Quantity           | 3              |
| Adjustable Shelf         | true           |
| Shelf Type               | Wire           |
| Full Door Shelf Quantity | 3              |
| Defrost Type             | Manual         |
| Height to Hinge Cap      | 34.75"         |
| Depth with door at 90°   | 47.0"          |
| Light                    | true           |
| Thermostat Type          | Dial           |
| Fan Type                 | Exterior       |
| Condensor Location       | Rear of Unit   |
| Freon Type               | R134a          |
| High Side PSI            | 235.0          |
| Level Legs Quantity      | 4              |
| Freon Oz                 | 3.0            |
| Low Side PSI             | 140.0          |
| Parts/Labor Warranty     | 1 Year         |
| Compressor Warranty      | 5 Years        |



Summit Appliance Division, Felix Storch, Inc.  
 770 Garrison Ave • Bronx, NY 10474  
 Phone: 718-893-3900 • Fax: 718-842-3093  
 Email: info@summitappliance.com