

Continental

Refrigerator

Project Name: _____
 Model Specified: _____
 Location: _____
 Item No. _____ Quantity: _____

Horizontal Bottle Coolers

- Models: CBC24 CBC37 CBC50
 CBC64 CBC95

Standard Features



Model CBC64

- Available in 24", 37", 50", 64", 95" Widths
- Modern, State-of-the-Art Styling
- Wear Resistant Black Vinyl Coated Steel Exterior with All Stainless Steel Countertop and Slide Lids for Lifetime Durability
- Heavy Duty, Long Lasting Galvanized Steel Interior
- Performance Rated Refrigeration System Utilizing Environmentally Safe R-134a Refrigerant
- Front, Rear and Side Venting Louvers Allow Greater Condenser Air Flow for Tight Fit Installations (CBC24 model is front breathing)
- Easily Accessible and Serviceable Slide-Out Condensing Unit
- Automatic, Energy Saving, Non-Electric Condensate Disposal System with Easily Accessible, Front Mounted Cleanout Drainage Hose And Drain Pan
- High Density, Non-CFC Polyurethane Foamed-In-Place Insulation
- Epoxy Coated, Heavy Duty, Adjustable Steel Wire Storage Bin Dividers to Maximize Storage Space
- Heavy Duty Bottle Cap Opener with Extra Capacity, Removable Cap Catcher
- Extra Long 10' Power Supply Cord and Plug Attached

Options & Accessories

- | | |
|---|--|
| <input type="checkbox"/> Remote -R | <input type="checkbox"/> Stainless Steel Interior for NSF 7 - approved for open food |
| <input type="checkbox"/> 3 & 4" Locking, Swivel Casters | <input type="checkbox"/> SS Models - Stainless Steel Exterior, Galvanized Steel Interior |
| <input type="checkbox"/> 6" Adjustable Legs | <input type="checkbox"/> Electric Condensate |
| <input type="checkbox"/> Additional Bin Dividers | |
| <input type="checkbox"/> Locking Lids | |
| <input type="checkbox"/> Deep Chill (32°F) | |



Approval: _____



Project Name: _____ Model Specified: _____
 Location: _____ Item No. _____ Quantity: _____

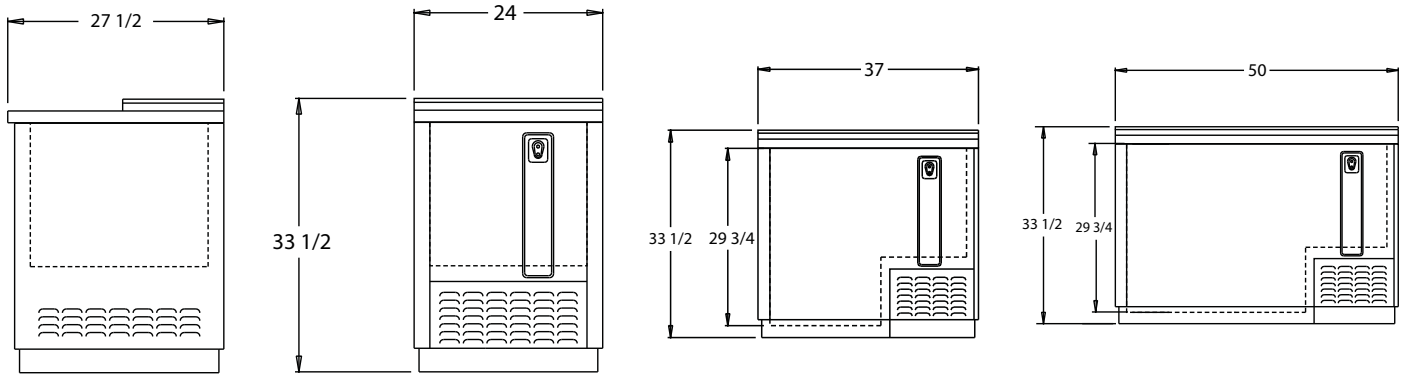
SPECIFICATIONS

DIMENSIONAL DATA

	Model CBC24	Model CBC37	Model CBC50	Model CBC64	Model CBC95
Net Capacity (cu. ft.)	4.8	10.3	15.1	20.3	32.0
Case Capacity – 12 oz. Bottle (# Cases)	4½	12	18	25	40
Case Capacity – 12 oz. Cans (# Cases)	7½	18 ½	27	37	59
Width, Overall (in.)	24	37	50	64	95
Depth, Overall (Less Cap Catcher) (in.)	27½	27½	27½	27½	27½
Height, Overall (in.)	33½	33½	33½	33½	33½
Number of Slide Lids	1	1	2	2	3
Number of Bin Dividers	2	2	3	4	8
Condensing Unit Size (H.P.)	⅓	⅓	⅓	⅓	½
Refrigerant	R-134a	R-134a	R-134A	R-134A	R-134A
Cabinet Electrical Specs	115/60/1	115/60/1	115/60/1	115/60/1	115/60/1
Total Amps	5.4	5.4	8.0	8.0	10.3
Power Supply Cord	yes	yes	yes	yes	yes
Shipping Weight (lbs.)	205	215	265	315	435
Shipping Height (in.)	44	44	39	39	39
Shipping Length (in.)	33	33	57¾	71¾	102¾
Shipping Depth (in.)	41	41	30¼	30¼	30¼

Note: A Minimum Clearance of 3" on Each Side, Front and Rear of Cabinet is Required for Optimum Performance.

Note: All specifications subject to change without notice.

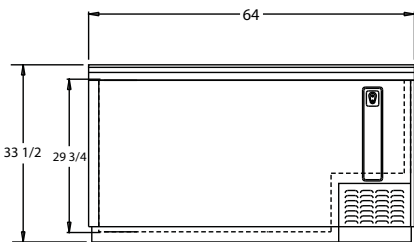


CBC24 FRONT VIEW

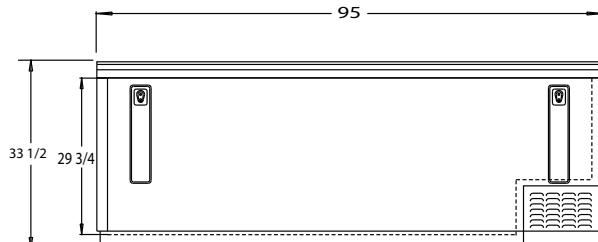
CBC37 FRONT VIEW

CBC50 FRONT VIEW

**CBC24,37,50, 64 & 95
SIDE VIEW**



CBC64 FRONT VIEW



CBC95 FRONT VIEW