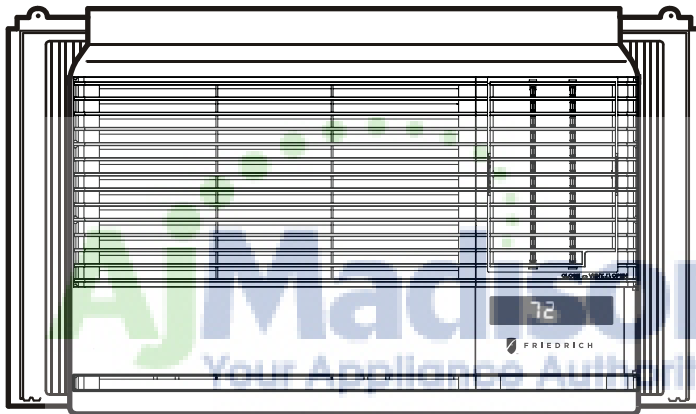




F R I E D R I C H

# Room Air Conditioner Installation and Operation Manual



800-570-3355

## Chill

115 Volts • CP06 • CP08

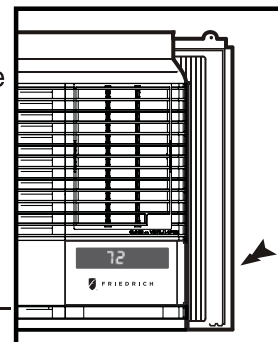
ENGLISH

FRANÇAIS

ESPAÑOL

### Registering Your Room Air Conditioner

Model information can be found on the name plate located on the side of the unit near the control panel. Please complete and mail the owner registration card furnished with this product or register on-line at [www.friedrich.com](http://www.friedrich.com) (USA only). For your future convenience, record the model information here.



MODEL NUMBER

SERIAL NUMBER

PURCHASE DATE



**Congratulations! Thank you for choosing Friedrich.**

**Your Friedrich unit is designed for maximum comfort and quietness.**

## Table of Contents

Introduction .....	2
Safety Precautions .....	3
How to operate your Friedrich .....	5
Adjusting the Air Flow Direction.....	6
Care and Maintenance .....	7
Hardware Location .....	8
Installation Instructions.....	9
Troubleshooting Tips.....	17
Warranty .....	18

# Introduction

## Before Operating Your Unit

### **Make sure the wiring is adequate for your unit.**

If you have fuses, they should be of the time delay type. Before you install or relocate this unit, be sure that the amperage rating of the circuit breaker or time delay fuse does not exceed the amp rating listed in figure 1.

### **DO NOT use an extension cord.**

The cord provided will carry the proper amount of electrical power to the unit; an extension cord will not.

### **Make sure that the receptacle is compatible with the wall plug provided.**

This insures proper grounding. If you have a two-prong receptacle you will need to have the circuit replaced by a certified electrician with a grounded circuit that meets all national and local codes and ordinances. You must use the three-prong plug furnished with the air conditioner.


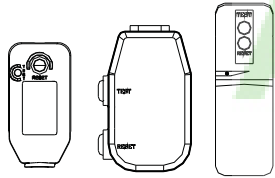
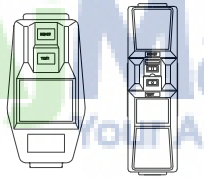
MODEL	CIRCUIT RATING OR TIME DELAY FUSE		PLUG FACE	
	AMP	VOLT	NEMA NO.	
CP06 CP08	15	125	5-15P	

Figure 1

115V~	230V~	
		Power cord may include a current interrupter device. A test and reset button is provided on the plug case. The device should be tested on a periodic basis by first pressing the TEST button and then the RESET button. If the TEST button does not trip or if the RESET button will not stay engaged, discontinue use of the air conditioner and contact a qualified service technician.

**NOTE!**

Aluminum house wiring may pose special problems. Consult a qualified electrician.

## For the Best Cooling Performance and Energy Efficiency

### **Keep the filter clean**

Make sure that your air conditioner is always in top performing condition by cleaning the filter regularly. Instructions for removing and cleaning the filter can be found on page 7.

### **Provide good air flow**

Make sure that the airflow to and from the unit is clear. Your air conditioner puts the air out at the side of the unit, and takes in air at the left. Airflow is critical for good operation. It is just as important on the outside of the building that the airflow around the unit exterior is not blocked.

### **Unit Placement**

If your air conditioner can be placed in a window or a wall that is shaded by a tree or another building, the unit will operate even more efficiently. Using drapes or blinds on the sunny side of the dwelling will also add to your unit's efficiency.



### **Insulation**

Good insulation will be a big help in maintaining desirable comfort levels. Doors should have weather stripping. Be sure to caulk around doors and windows.

# Safety Precautions

To prevent injury and property damage, follow these instructions.

■ Incorrect operation due to ignoring instructions can cause harm or damage. The seriousness is classified by the following indications.

	<b>WARNING</b>	This symbol indicates the possibility of death or serious injury.
	<b>CAUTION</b>	This symbol indicates the possibility of injury or damage to properties only.

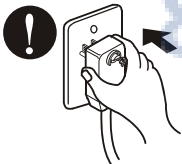
■ Meanings of symbols used in this manual are as shown below.

	<b>Never Do This</b>
	<b>Always Do This</b>

## **WARNING**

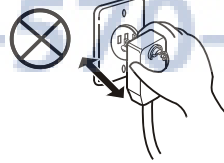
**Plug in the power plug properly.**

- Otherwise, it will cause electric shock or fire due to heat generation.



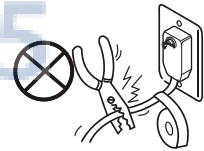
**Do not operate or stop the unit by inserting or pulling out the power plug.**

- It will cause electric shock or fire due to heat generation.



**Do not damage or use an unspecified power cord.**

- It will cause electric shock or fire.
- If the power cord is damaged, it must be replaced by the manufacturer or a Friedrich-certified service agent.



**Do not modify power cord length.**

- It will cause electric shock or fire due to heat generation.



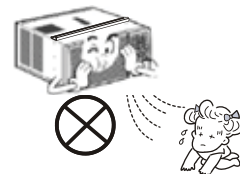
**Do not operate with wet hands or in damp environment.**

- It will cause electric shock.



**Do not direct air flow directly at room occupants.**

- This could lead to health problems.



**For inner cleaning, contact an Authorized Service Center or a dealer. Do not use harsh detergent that causes corrosion or damage on the unit.**

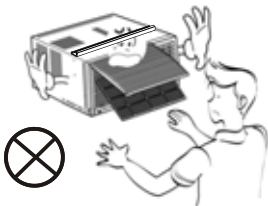
- Harsh detergent may also cause failure of product, fire, or electronic shock.

# Safety Precautions

## ⚠ CAUTION

**When the air filter is to be removed, do not touch the metal parts of the unit.**

- They are sharp and may cause an injury.



**Do not clean the air conditioner with water.**

- Water may enter the unit and degrade the insulation. It may cause an electric shock.



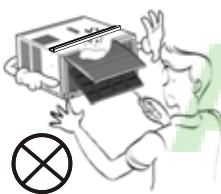
**When the unit is to be cleaned, switch the unit off, and unplug it.**

- Since the fan rotates at high speed during operation, it may cause an injury.



**Do not operate the unit without the air filter or when the front intake grille has been removed.**

- It could cause dust to accumulate on the heat exchanger.



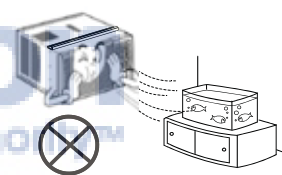
**Do not put a pet or house plant where it will be exposed to direct air flow.**

- This could injure the pets or plants.



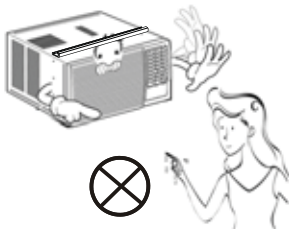
**Do not use for special purposes.**

- Do not use this air conditioner to preserve precision devices, food, pets, plants, and art objects. It may cause deterioration of quality, etc.



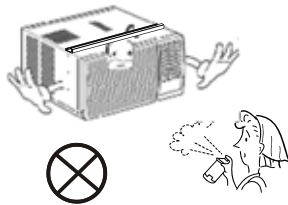
**Do not operate switches with wet hands.**

- It may cause an electric shock.



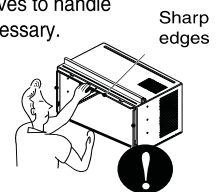
**Do not apply an insecticide or flammable spray.**

- It may cause a fire or deformation of the cabinet.



**SHARP EDGES!**  
The edges of the case can be SHARP!

- Use caution when handling the case. Grip it firmly and do not allow it to slip while holding it.
- Use heavy gloves to handle the case if necessary.
- DO NOT allow the case to slide against your skin!



**If the liquid from the batteries gets onto your skin or clothes, wash it well with clean water. Do not use the remote if the batteries have leaked.**

- The chemicals in batteries could cause burns or other health hazards.

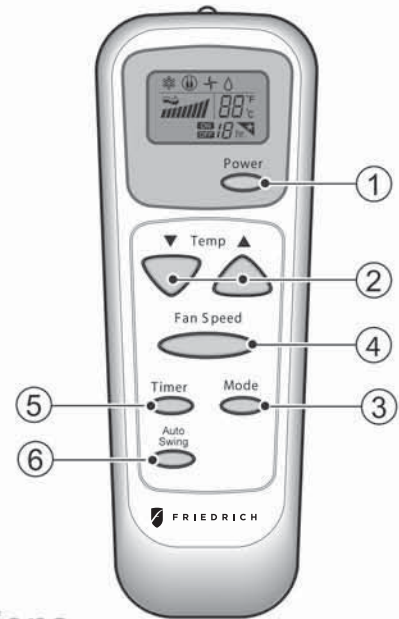
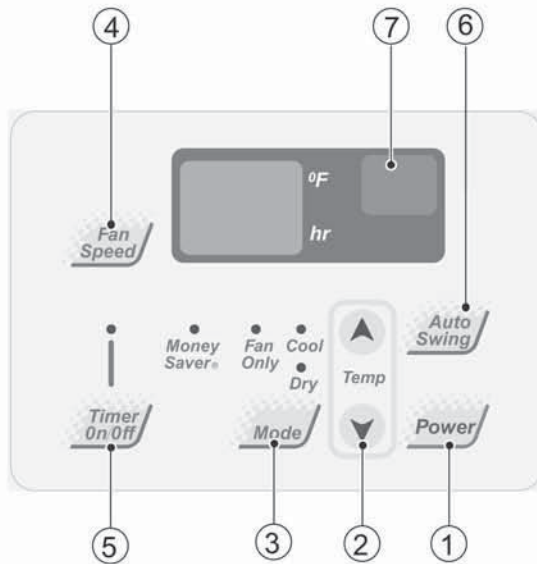


**If you eat the liquid from the batteries, brush your teeth and see doctor. Do not use the remote if the batteries have leaked.**

- The chemicals in batteries could cause burns or other health hazards.



# How to operate your Friedrich CP



## Control and Remote Control Operations

### 1. POWER

Operation begins when this button is pressed and stops when you press the button again.

### 2. TEMPERATURE CONTROL

The thermostat monitors room temperature to maintain the desired temperature.

The thermostat can be set between 60°F~86°F (16°C~30°C).

### 3. OPERATION MODE SELECTOR

Select cooling mode to cool the room.

Select Money Saver® mode for energy saving operation.

Select fan mode for basic ventilating fan operation.

Select dry mode for dry operation. (dehumidify operation)

### 4. FAN SPEED SELECTOR

For increased power while cooling, select a higher fan speed.

3 speeds: Low; Med; High

### 5. ON/OFF TIMER

ON: If the unit is off, use Timer to set number of hours before unit starts.

- Push Timer button to advance setting from 1hr - 2hrs - ...24hrs maximum.

OFF: You will usually use shut-off time while you sleep.

- If unit is running, use Timer to set number of hours until shut-off.

- For your sleeping comfort, once Time is set, the temperature setting will rise 2°F after 30min, and once again after 30min.

- Push Timer button to advance setting from 1hr 2hrs...24hrs maximum.

### 6. AUTO SWING

This button can automatically control the air flow direction.

### 7. REMOTE CONTROL SENSOR

To receive the signal from remote controller.

## Inserting the Remote Control Batteries

1. Push out the cover on the back of the remote control with your thumb
2. Pay attention to polarity and insert two new AAA 1.5V batteries.
3. Reattach the cover.



**NOTE:** Do not use rechargeable batteries. Make sure that both batteries are new.

• In order to prevent discharge, remove the batteries from the remote control if the air conditioner is not going to be used for an extended period of time

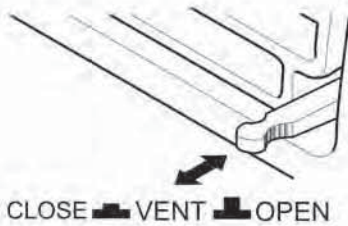
Keep the remote control away from extremely hot or humid places.

To maintain optimal operation of the remote control, the remote sensor should not be exposed to direct sunlight.

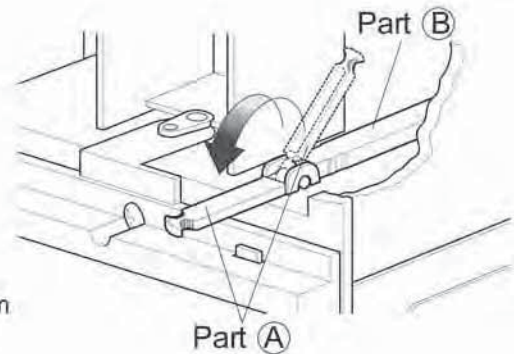
# Adjusting the Air Flow Direction

## Vent Control

For maximum cooling efficiency, CLOSE the vent. This will allow internal air circulation.  
OPEN the vent to discharge stale air.



**NOTE :** Before using the ventilation feature, position the lever, as shown. First, pull down part (A) to horizontal line with part (B)



ENGLISH

## Adjusting the Air Flow Direction

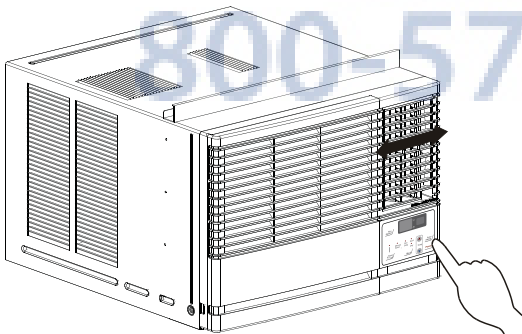
Airflow can be adjusted by changing the direction of the air conditioner's louvers.

### • Adjusting Horizontal Air Flow Direction

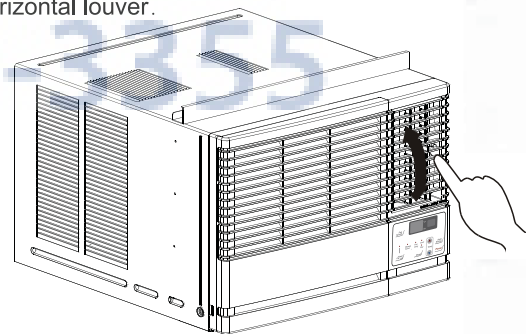
Adjusting the vertical louvers left and right will change horizontal airflow.

### • Adjusting Vertical Air Flow Direction

Adjusting the horizontal louver up and down will change vertical airflow. The louver can be adjusted by pressing in at the top or bottom of the horizontal louver.



Adjusting horizontal air flow



Adjusting vertical air flow

# Care and Maintenance

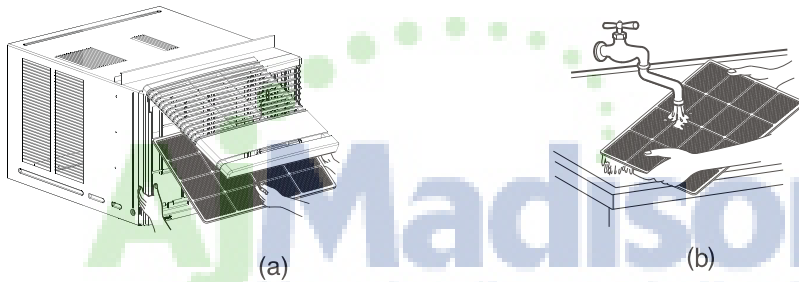
Turn the power off and unplug the power plug before cleaning the air conditioner.

## Air Filter

The air filter behind the inlet grille should be checked and cleaned at least once every 2 weeks (or as necessary) to maintain optimal performance of the air conditioner.

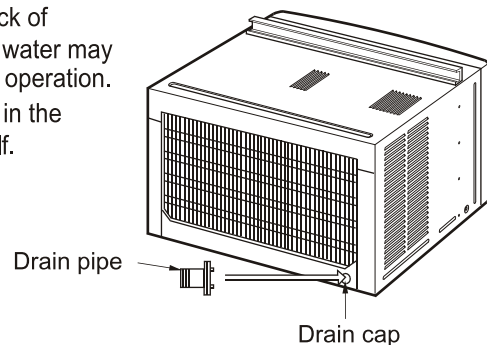
### How to remove the air filter

1. Open the inlet grille upward by pulling out the bottom of the inlet grille.(a)
2. Remove the air filter from the front grille assembly by pulling the air filter up slightly.
3. Wash the filter using lukewarm water below 104°F(40°C).(b)
4. Gently shake the excess water from the filter. When completely dry, replace the filter.



## Drainage

The base pan may overflow due to high humidity. To drain the excess water, remove the drain cap from the back of the unit and secure the drainpipe. However, excess water may drip out of the back of the basepan, which is normal operation. When pressing the drainpipe into place, apply force in the direction away from the fins to avoid injuring yourself.





# Hardware Location

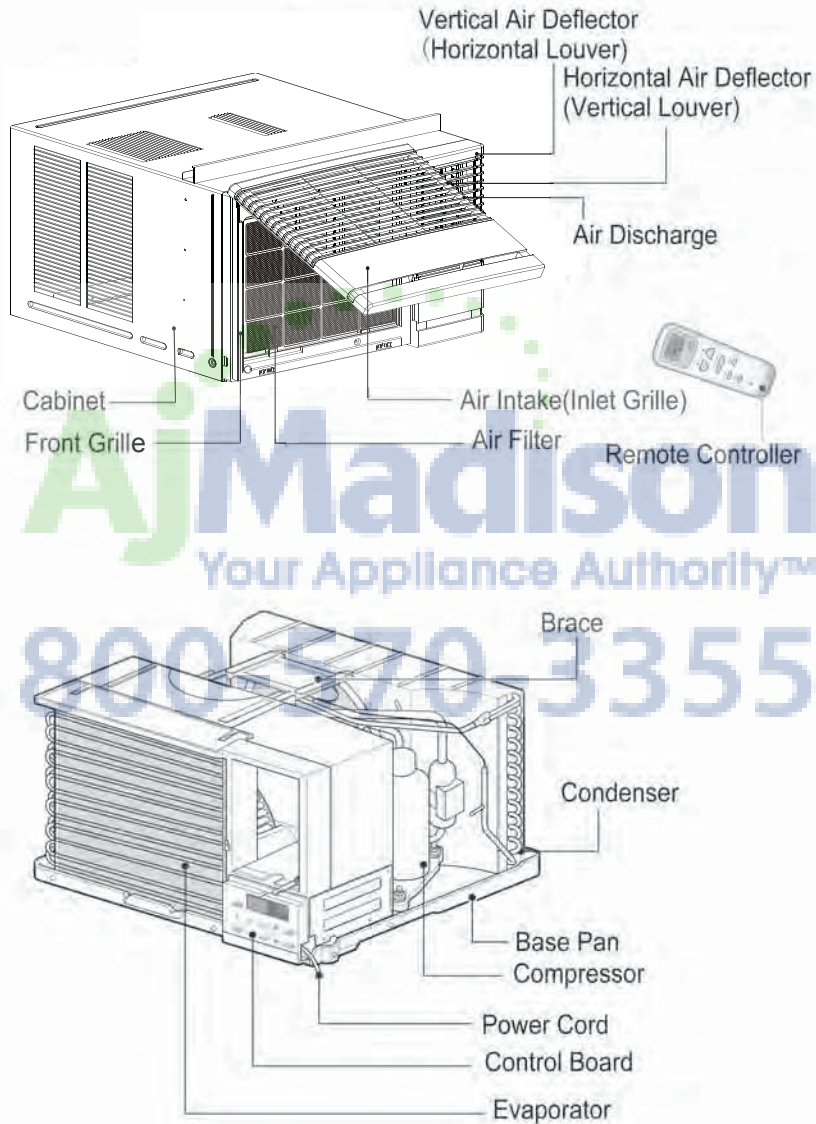
## Product Features



### CAUTION

This appliance should be installed in accordance with local and national wiring regulations. This manual acts as a guide to help to explain product features.

ENGLISH



# Installation Instructions

---

*Read these instructions completely and carefully.*

## Tools You Will Need

---

- |  |  |
|--|--|
| <input type="checkbox"/> Phillips-head screwdriver | <input type="checkbox"/> Scissors or knife |
| <input type="checkbox"/> Flat-blade screwdriver    | <input type="checkbox"/> Pencil            |
| <input type="checkbox"/> Ruler or tape measure     | <input type="checkbox"/> Level             |
|  | <input type="checkbox"/> Hammer            |

## Before You Begin

---

**NOTE TO INSTALLER:** Leave these instructions with the air conditioner after installation is complete.

**NOTE TO CONSUMER:** Keep this Installation and Operation Manual for future use.

### **Important notes:**

It is recommended that proper attire be worn during installation.

For personal safety, this air conditioner must be properly grounded.

It is important to have the wall outlet and circuit checked by a qualified electrician if there is any doubt as to whether a proper ground exists.

### **CAUTION:**

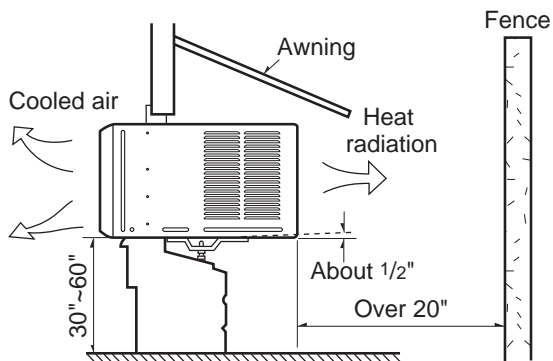
*Do not under any circumstances, cut or remove the third (ground) prong from the power cord.*

*Do not change the plug on the power cord of this air conditioner.*

*Aluminum house wiring may present special problems ; consult a qualified electrician.*

## How to Install the Unit

1. To prevent vibration and excess noise, make sure the unit is installed securely and firmly.
2. If possible Install the unit where the sunlight does not shine directly on the unit.
3. The outside of the cabinet must extend outward for at least 12" and there should be no obstacles, such as a fence or wall, within 20" from the back of the cabinet, as it will prevent heat radiation of the condenser.  
Restriction of outside air will greatly reduce the cooling efficiency of the air conditioner.



**CAUTION: DO NOT** cover or block any of the side louvers. All side louvers of the cabinet must remain exposed and unobstructed to the outside of the structure.

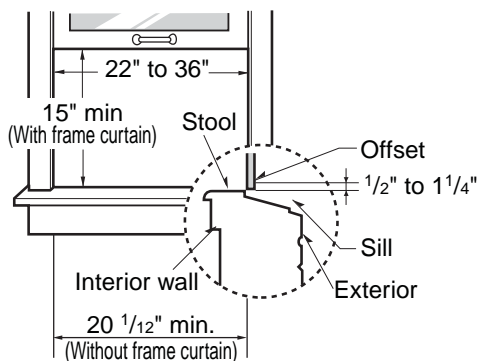
4. Install the unit with a rear, downward slope, so the back is slightly lower than the front (about 1/4" bubble on a level). This will force condensation to flow to the outside.
5. Install the unit with the bottom about 30"- 60" above the floor level.

**800-570-3355**

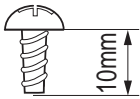
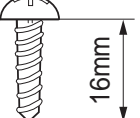
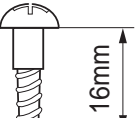

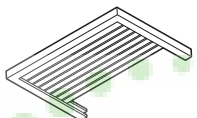
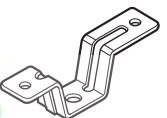
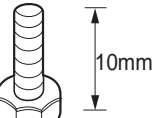
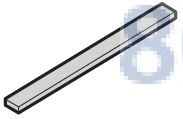
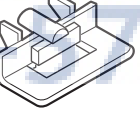
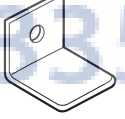
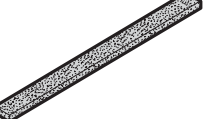
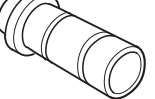
## Window Requirements

**NOTE:** All supporting parts should be secured to sturdy wood, masonry, or metal.

- This unit is designed for installation in standard double hung windows with actual opening widths from 22" to 36".
- The top and bottom window sash must open sufficiently to allow a clear vertical opening of 15" from the bottom of the upper sash to the window stool.



# Installation Kit Contents

Type A:13EA (SCREW) ①  	Type B:3EA (SCREW) ②  	Type C:5EA (SCREW) ③  	
Type D:2EA (NUT) ④  	Type E:2EA (FRAME CURTAIN) ⑤  	Type F:2EA (SILL SUPPORT) ⑥  	Type G:2EA (BOLT) ⑦  
Type H:1EA (FOAM-STRIP) ⑧  	Type K:2EA (FRAME-GUIDE) ⑨  	Type L:1EA (WINDOW LOCKING BRACKET) ⑩  	Type M:1EA (FOAM-PE) ⑪  
Type N:1EA (DRAIN JOINT PIPE) ⑫  			

Have the following tools available for installation:

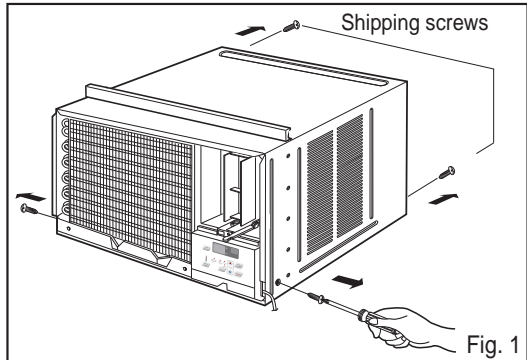
- \* Screwdriver (Slotted and Phillips)
- \* Knife
- \* Pencil
- \* Ruler
- \* Hammer
- \* Level

# Suggested Tool Requirements

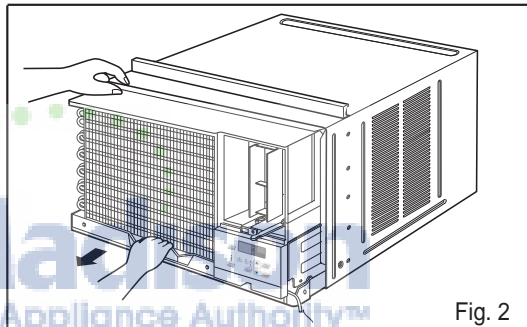
SCREWDRIVER(+, -), RULER, KNIFE, HAMMER, PENCIL, LEVEL

## PREPARATION OF CHASSIS

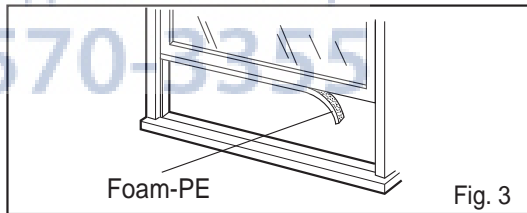
1. Remove the screws which fasten the cabinet at both sides and at the back. (Fig.1)



2. Slide the unit out from the cabinet by gripping the base pan handle and pulling forward while bracing the cabinet. (Fig.2)

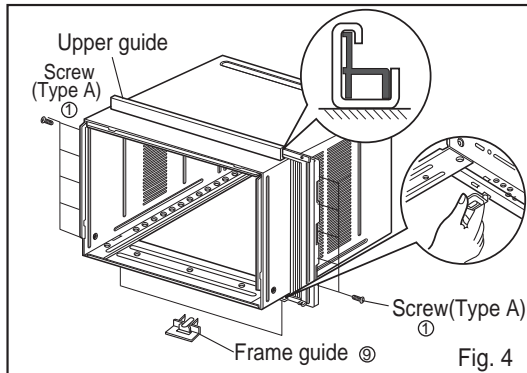


3. Cut the window sash seal to the proper length. Peel off the backing and attach the Foam-PE to the underside of the window sash. (Fig.3)



4. Insert the Frame guides into the bottom of the cabinet. (Fig.4)

5. Insert the Frame Curtain into the Upper Guide and Frame Guides. (Fig.4)



6. Fasten the curtains to the unit with 8 Type A screws. (Fig.4)

## Cabinet Installation

1. Open the window. Mark a line on center of the window stool. Carefully place the cabinet on the window stool and align the center mark on the bottom front with the center line marked in the window stool. (Fig. 1)

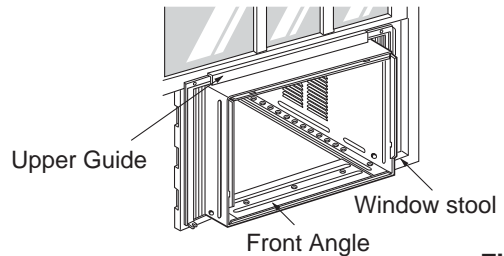


Fig. 1

2. Pull the bottom window sash down behind the Upper Guide until they meet. (Fig. 2)

**NOTE:** Do not pull the window sash down so tightly that the movement of Frame Curtain<sup>®</sup> is restricted.

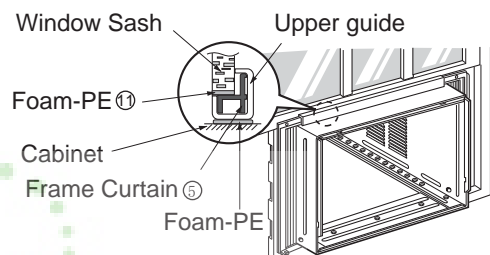


Fig. 2

3. Loosely assemble the Sill Support<sup>®</sup> using the parts . (Fig. 3)

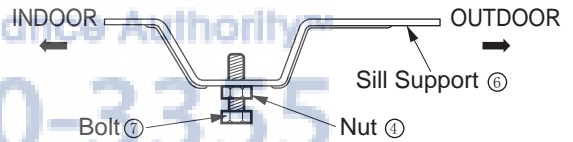


Fig. 3

4. Select the position that will place the Sill Support<sup>®</sup> near the outer most point on sill. (Fig. 4)

**NOTE:** Be careful when you install the cabinet (Frame Guides<sup>®</sup> are broken easily).

5. Attach the Sill Support<sup>®</sup> to the cabinet track hole in relation to the selected position using 2 -type A screws in each support. ( Fig. 4).

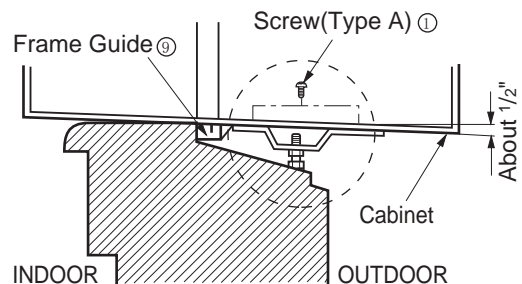
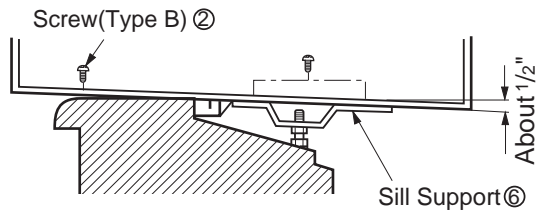


Fig. 4

6. The cabinet should be installed with a very slight tilt (about 1/2") downward toward the outside (See Fig. 5). Adjust the bolt and the nut of Sill Support ⑥ for balancing the cabinet.



7. Attach the cabinet to the window stool by driving the screws ② [Type B: Length 16mm (5/8 inch) and below.] through the front angle into window stool. (Fig. 5)

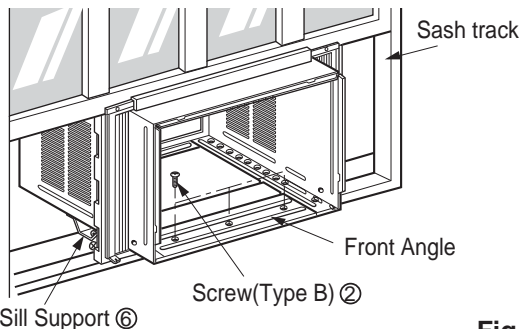


Fig. 5

8. Pull each Frame Curtain ⑤ to each window sash track, and repeat step 2. (Fig. 5)

9. Attach each Frame Curtain ⑤ to the window sash using screws ③ (Type C). ( Fig. 6)

**CAUTION:** Do not drill a hole in the bottom pan. The unit is designed to operate with approximately 1/2" of water in bottom of pan. There is no need to add water if the pan is dry.

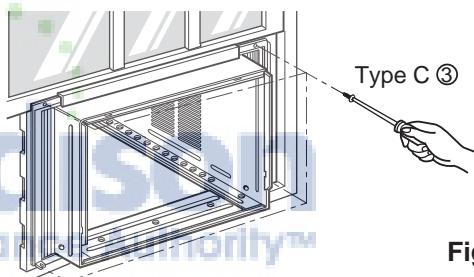


Fig. 6

10. Slide the unit into the cabinet. ( Fig. 7)

**CAUTION:** For security purposes, reinstall the 2 screws (Type A) at cabinet's side, that were removed in step 1 on page 12.

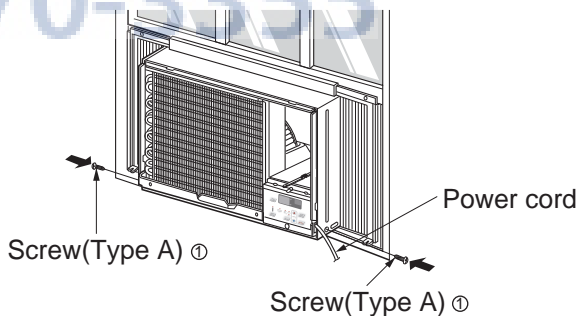


Fig. 7

11. Cut the Foam-Strip ⑧ to the proper length (window width) and wedge between the upper window sash and the lower window sash. ( Fig. 8)



Fig. 8

12. Attach the Window Locking Bracket ⑩ with a Type C screw ③. ( Fig. 9)

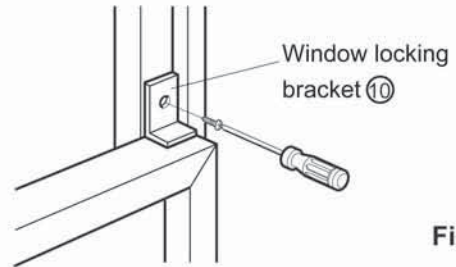


Fig. 9

13. Attach the front grille to the cabinet by inserting the tabs on the grille into the tabs on the front of the cabinet. Push the grille in until it snaps into place. (Fig. 10)

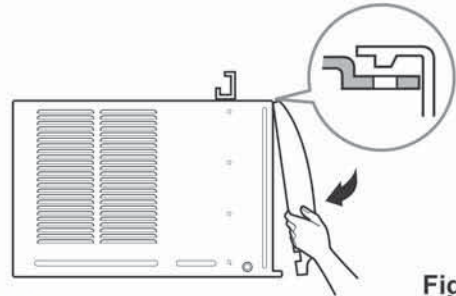


Fig. 10

14. Pull down the inlet grille and secure it with a Type A screw ① through the front grille. ( Fig. 11)

15. **Window installation of room air conditioner is now completed. See ELECTRICAL DATA for plugging the power cord into the properly rated electrical outlet.**

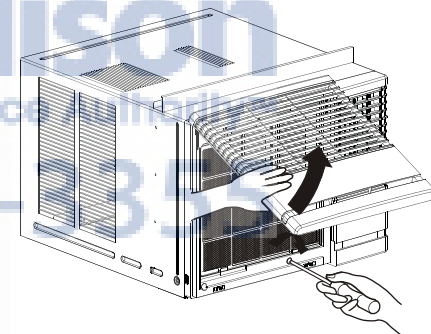


Fig.11



# Through-the-Wall Installation Instructions-Optional

The case may be installed through-the-wall in both existing and new construction.

Read completely, then follow step-by-step.

**NOTE: Obtain all materials locally for mounting the air conditioner through-the-wall.**

**1 IMPORTANT (cont.)**

**D** Secure with 14 wood screws anchored at least an inch into the wall support structure.

**NOTE:** Drill pilot holes, if necessary, for proper installation. If the frame is oversized, use shims to prevent case distortion.

**1 IMPORTANT**

Through-the-wall installation is not appropriate if any of the side or top louvers in the case will be obstructed by the wall.

All side and top louvers in the case must project on the outdoor side of the wall.

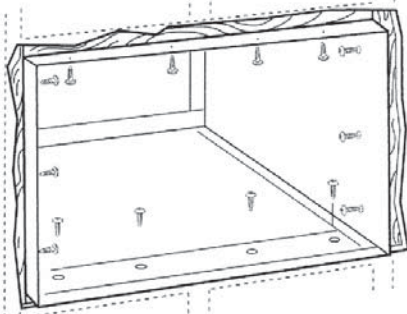
The room side of the case must project into the room far enough to maximize the balance of the unit.

The case must be installed level from side-to-side and with a slight tilt from front to rear. Use a level; no more than a 1/2 bubble will be the correct case slant to the outside.

Lintel angle is required to support bricks or blocks above opening.

Flashing is required and should extend the length of the opening to ensure no inside cavity leakage occurs.

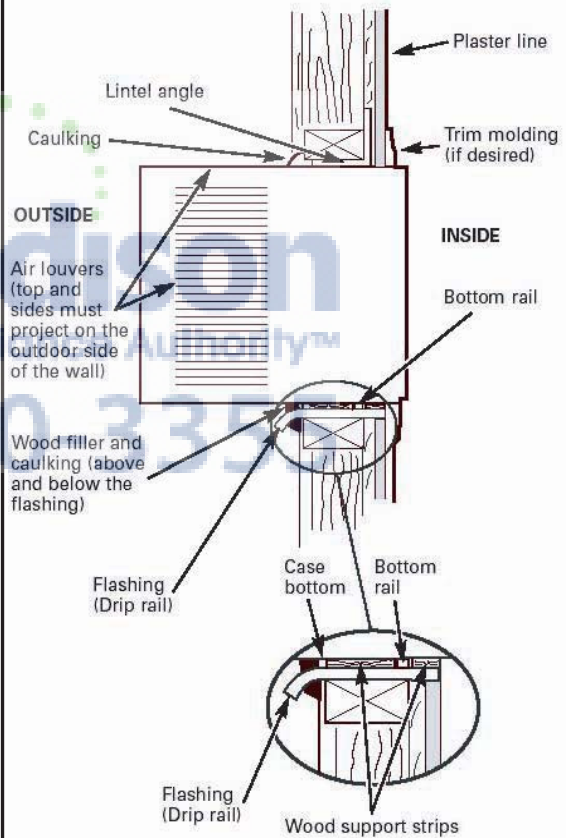
- A** Remove the air conditioner from the case. For specific instruction, refer to the Window Installation Instructions.
- B** Make certain that a wall receptacle is available close to the hole location or make arrangements to install a receptacle.



- C** Place the case in the wall opening and place wood support strips between the case bottom and the flashing on both sides of the bottom rail. They should be the same height as the bottom rail and the same length as the wall opening.

**2 FINISH THE WALL OPENING**

- A** Caulk all four sides on the outdoor side of the case to prevent moisture from getting through to the interior wall. Use of flashing (drip rail) will further prevent water from dripping inside the wall and down the outside of the building.



- B** Place the air conditioner into the case. For specific instruction, refer to the Window Installation Instructions.

# Troubleshooting Tips

Troubleshooting Tips save time and money! Review the chart below first and you may not need to call for service.

## Normal Operation

- You may hear a pinging noise caused by water being picked up and thrown against the condenser on rainy days or when the humidity is high. This design feature helps remove moisture and improve efficiency.
- You may hear the thermostat click when the compressor cycles on and off.
- Water will collect in the base pan during high humidity or on rainy days. The water may overflow and drip from the outdoor side of the unit.
- The fan may run even when the compressor does not.
- Your air conditioner is designed to cool in warm weather when the outside temperature is above 60°F(16°C) and below 109°F(43°C).

## Abnormal Operation

Problem	Possible Causes	What To Do
<b>Air conditioner does not start</b>	■ The air conditioner is unplugged.	• Make sure the air conditioner plug is pushed completely into the outlet.
	■ The fuse is blown/circuit breaker is tripped.	• Check the house fuse/circuit breaker box and replace the fuse or reset the breaker.
	■ Power failure.	• If power failure occurs, turn the mode control to Off. When power is restored, wait 3 minutes to restart the air conditioner to prevent tripping of the compressor overload.
	■ The current interrupter device was tripped on the power cord.	• Press the RESET button located on the power cord plug. If the RESET button will not stay engaged, discontinue use of the air conditioner and contact a qualified service technician.
<b>Air conditioner does not cool as it should</b>	■ Airflow is restricted.	• Make sure there are no curtains, blinds, or furniture blocking the front of the air conditioner.
	■ The THERMOSTAT may not be set high enough.	• Push temperature setting button to coolest temperature setting of 60°F.
	■ The air filter is dirty.	• Clean the filter at least every 2 weeks. See the operating instructions section.
	■ The room may have been hot.	• When the air conditioner is first turned on you need to allow time for the room to cool down.
	■ Cold air is escaping.	• Check for open furnace floor registers and cold air returns. • Set the air conditioner's vent to the closed position.
<b>Air conditioner freezing up</b>	■ Cooling coils have iced up.	• See Air Conditioner Freezing Up below.
	■ Ice blocks the air flow and stops the air conditioner from cooling the room.	• Set the mode control on high fan until the ice thaws out. This may indicate a bigger problem.



FRIEDRICH

Friedrich Air Conditioning Company
10001 Reunion Place, Suite 500
San Antonio, TX 78216
800.541.6645
www.friedrich.com

ENGLISH

ROOM AIR CONDITIONERS
LIMITED WARRANTY

FIRST YEAR

ANY PART: If any part supplied by FRIEDRICH fails because of a defect in workmanship or material within twelve months from date of original purchase, FRIEDRICH will repair the product at no charge, provided room air conditioner is reasonably accessible for service.

SECOND THROUGH FIFTH YEAR

SEALED REFRIGERANT SYSTEM: If the Sealed Refrigeration System (defined for this purpose as the compressor, condenser coil, evaporator coil, reversing valve, check valve, capillary, filter drier, and all interconnecting tubing) supplied by FRIEDRICH in your Room Air Conditioner fails because of a defect in workmanship or material within sixty months from date of purchase, FRIEDRICH will pay a labor allowance and parts necessary to repair the Sealed Refrigeration System; PROVIDED FRIEDRICH will not pay the cost of diagnosis of the problem, removal, freight charges, and transportation of the air conditioner to and from the Service Agency, and the reinstallation charges associated with repair of the Sealed Refrigeration System.

APPLICABILITY AND LIMITATIONS: This warranty is applicable only to units retained within the Fifty States of the U.S.A., District of Columbia, and Canada. This warranty is not applicable to:

- 1. Air filters, fuses, batteries and the front grille removal tool.
2. Products on which the model and serial numbers have been removed.
3. Products which have defects or damage which results from improper installation, wiring, electrical current characteristics, or maintenance; or caused by accident, misuse or abuse, fire, flood, alterations and/or misapplication of the product and/or units installed in a corrosive atmosphere, default or delay in performance caused by war, government restrictions or restraints, strikes, material shortages beyond the control of FRIEDRICH, or acts of God.

OBTAINING WARRANTY PERFORMANCE: Service will be provided by the FRIEDRICH Authorized Dealer or Service Organization in your area. They are listed in the Yellow Pages. If assistance is required in obtaining warranty performance, write to: Friedrich Air Conditioning Co.,ATTN:Warranty Registration,10001 Reunion Place,Ste.500,San Antonio,TX 78216.

LIMITATIONS: THIS WARRANTY IS GIVEN IN LIEU OF ALL OTHER WARRANTIES. Anything in the warranty notwithstanding, ANY IMPLIED WARRANTIES OF FITNESS FOR PARTICULAR PURPOSE AND/OR MERCHANTABILITY SHALL BE LIMITED TO THE DURATION OF THIS EXPRESS WARRANTY. MANUFACTURER EXPRESSLY DISCLAIMS AND EXCLUDES ANY LIABILITY FOR CONSEQUENTIAL OR INCIDENTAL DAMAGE FOR BREACH OF ANY EXPRESSED OR IMPLIED WARRANTY.

Performance of Friedrich's Warranty obligation is limited to one of the following methods:

- 1. Repair of the unit
2. A refund to the customer for the prorated value of the unit based upon the remaining warranty period of the unit.
3. Providing a replacement unit of equal value

The method of fulfillment of the warranty obligation is at the sole discretion of Friedrich Air Conditioning.

NOTE: Some states do not allow limitations on how long an implied warranty lasts, or do not allow the limitation or exclusion of consequential or incidental damages, so the foregoing exclusions and limitations may not apply to you.

OTHER: This warranty gives you specific legal rights, and you may also have other rights which vary from state to state.

PROOF OF PURCHASE: Owner must provide proof of purchase in order to receive any warranty related services.

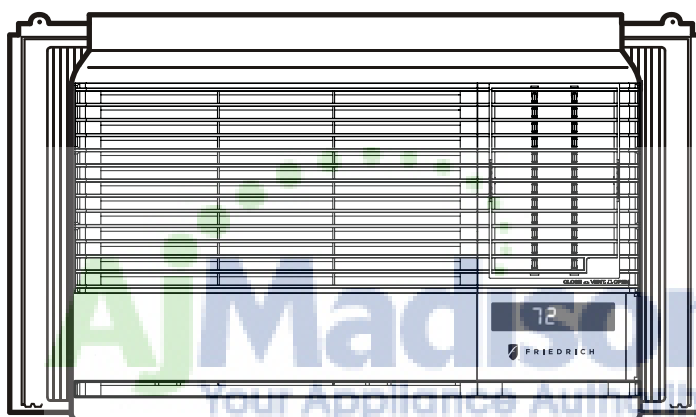
All service calls for explaining the operation of this product will be the sole responsibility of the consumer.

All warranty service must be provided by an Authorized FRIEDRICH Service Agency, unless authorized by FRIEDRICH prior to repairs being made.



F R I E D R I C H

# Manuel d'utilisation et d'installation de votre climatiseur de pièce



800-570-3355

## Chill

115 Volts

• CP06

• CP08

FRANÇAIS

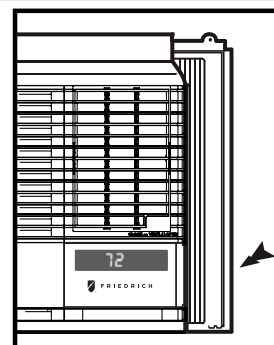
## Enregistrement de votre climatiseur de pièce

Vous trouverez l'information concernant l'appareil sur la plaque signalétique située sur le côté de l'appareil, près du panneau de commande. Veuillez remplir et poster la carte d'enregistrement fournie avec l'appareil ou enregistrez-vous en ligne à [www.friedrich.com](http://www.friedrich.com) (USA uniquement). Veuillez consigner l'information à l'emplacement ci-dessous pour référence ultérieure.

NUMÉRO DU MODÈLE

NUMÉRO DE SÉRIE

DATE D'ACHAT





**Félicitations!**

**Merci d'avoir choisi Friedrich.  
Votre unité Friedrich est conçue pour vous  
offrir le confort et le silence maximums.**

**Table des matières**

---

Introduction .....	2
Mesures de sécurité.....	3
Fonctionnement de la télécommande.....	5
Réglage de l'orientation du débit d'air .....	6
Soins et entretien .....	7
Installation du matériel .....	8
Guide d'installation .....	9
Problèmes fréquents et solutions .....	17
Garantie.....	18

---

# Introduction

## Avant d'utiliser votre appareil

### Assurez-vous que votre câblage électrique est conforme aux normes de fonctionnement de l'appareil.

Si votre système électrique comporte des fusibles, veillez qu'ils soient de type temporisé. Avant d'installer ou de déplacer l'appareil, veillez que l'intensité de courant du disjoncteur ou du fusible temporisé n'excède pas l'intensité de courant spécifiée à la figure 1.

### N'UTILISEZ JAMAIS un fil de rallonge.

Contrairement au cordon d'alimentation fourni avec l'appareil, le fil de rallonge n'acheminera pas le courant d'alimentation approprié au bon fonctionnement de l'appareil.

### Veillez à ce que la prise murale soit compatible avec la fiche du cordon d'alimentation de l'appareil.

Cela assure la mise à la terre appropriée. Si vous possédez un réceptacle à deux broches, vous devrez le remplacer par un réceptacle conforme à tous les codes et règlements nationaux ou municipaux. Vous devez utiliser la fiche à trois broches fournie avec votre climatiseur.


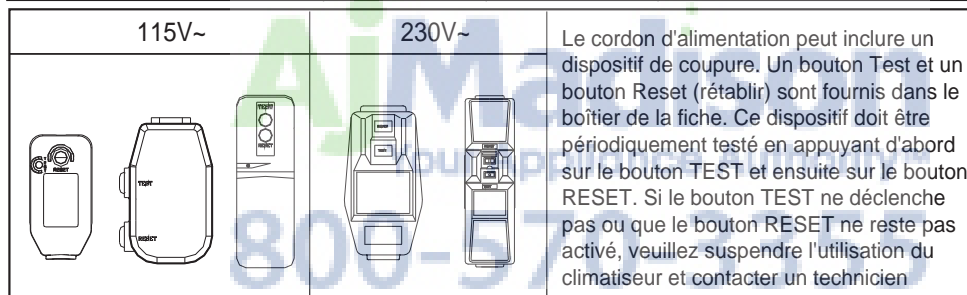
MODÈLE	VALEUR NOMINALE OU TEMPORISATION DU CIRCUIT FUSIBLE		TYPE DE FICHE	
	AMP	VOLT	NO. NEMA (National Electrical Manufacturers Association)	
CP06 CP08	15	125	5-15P	

Figure 1



### AVIS

Une installation électrique en aluminium peut poser des problèmes particuliers. Consultez un électricien qualifié.

## Pour obtenir le meilleur rendement énergétique et de refroidissement Maintenez le filtre propre

Afin de maintenir le rendement de votre climatiseur à son meilleur niveau, nettoyez régulièrement le filtre. Reportez-vous à la page 7 pour les instructions de dépose et de nettoyage du filtre.

### Veillez à la présence d'une circulation d'air appropriée.

Assurez-vous que l'air circule librement vers et en provenance de l'appareil. Votre climatiseur aspire l'air à sa surface inférieure et l'évacue à sa surface supérieure. La circulation d'air est un facteur important au bon fonctionnement de l'appareil. La libre circulation de l'air est également importante pour la portion de l'appareil située à l'extérieur de l'immeuble.

### Emplacement de l'appareil

Votre climatiseur fonctionnera plus efficacement si vous l'installez dans une fenêtre ou dans un mur situé à l'ombre d'un arbre ou d'un autre immeuble. L'utilisation de rideaux ou stores du côté ensoleillé de l'immeuble améliorera également le rendement de l'appareil.

### Isolation

Une bonne isolation permettra de maintenir le niveau de confort souhaité. Les portes devraient comporter un calfeutrage adéquat. Veillez à bien calfeutrer le périmètre des portes et fenêtres.

# Mesures de Sécurité

Pour éviter des accidents corporels ou des dommages matériels, suivez ces instructions.

- Un mauvais fonctionnement dû à l'ignorance de ces instructions peut provoquer des préjudices corporels ou des dommages.



**AVERTISSEMENT** Ce symbole signale un risque de blessure grave, voire mortelle.



**ATTENTION** Ce symbole signale un risque limité aux dommages matériels.

- Les significations respectives des symboles utilisés dans ce manuel sont indiquées ci-dessous.



**Ne faites jamais cela**



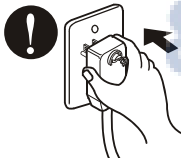
**Faites toujours cela**



**AVERTISSEMENT**

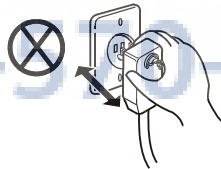
**Veillez à brancher correctement votre appareil**

- Tout mauvais branchement peut entraîner une surchauffe de votre appareil et causer électrocution ou incendie.



**Veillez ne pas mettre en marche ou éteindre votre appareil en branchant ou débranchant votre appareil**

- Ceci provoquera une surchauffe et un risque d'électrocution ou d'incendie.



**Evitez d'endommager le cordon d'alimentation électrique ou d'en utiliser un non-agé**

- Ceci pourrait causer électrocution ou incendie.



**Ne modifiez pas la longueur du cordon d'alimentation et ne branchez pas votre climatiseur en commun avec d'autres appareils sur la même prise**

- Ceci pourrait provoquer un électrique ou un incendie, dû à une surchauffe.



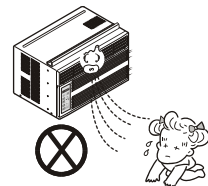
**Ne faites pas fonctionner l'appareil les mains mouillées.**

- Il y a risque d'électrocution.



**Ne dirigez pas directement le flux d'air sur les occupants de la pièce.**

- Ceci pourrait mener au problème de santé.



**Pour le nettoyage de l'intérieur, veuillez contacter un Centre de Service Agréé ou un concessionnaire. N'utilisez pas de détergent puissants qui provoquent la corrosion ou endommagent l'unité.**

- Les détergents puissants peuvent aussi provoquer des pannes, des incendies ou des chocs électriques.

## ⚠ ATTENTION

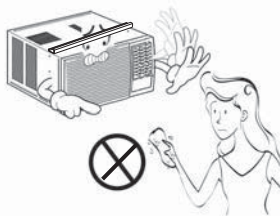
Lorsque le filtre à air doit être retiré, ne pas toucher les parties métalliques de l'appareil.

- Vous risquez de vous blesser.



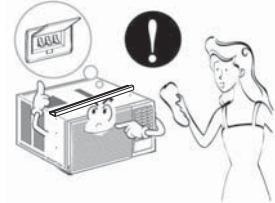
Ne pas nettoyer le climatiseur avec de l'eau.

- L'eau peut s'infiltrer dans l'appareil et affecter l'isolement. Cela peut également provoquer un choc électrique.



Quand l'unité devrait être nettoyée, change l'unité de, et le débrancher.

- Le ventilateur de refroidissement tournant à grande vitesse dans l'appareil, cela peut provoquer un accident.



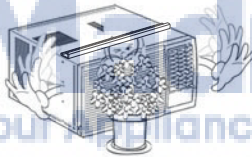
Ne pas opérer l'unité sans le filtre à air ou quand le grillage frontal a été enlevé.

- De la poussière pourrait s'accumuler sur l'échangeur thermique.



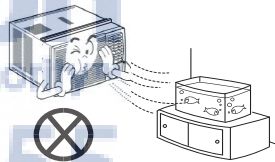
Ne pas placer une plante d'intérieur ou un animal domestique près de l'appareil en risquant de l'exposer directement à l'air froid.

- Ce produit peut blesser les animaux ou abîmer les plantes.



Ne pas se servir de l'appareil à des fins spéciales.

- Le climatiseur ne doit pas être utilisé pour protéger certains appareils de précision, des aliments, des animaux, des plantes et des objets d'art. La qualité risque d'en souffrir.



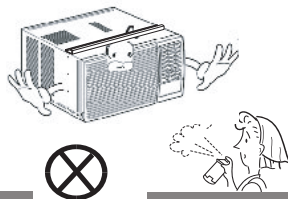
Ne pas actionner les dispositifs de commande les mains mouillées.

- Il y a risque de choc électrique.



Ne pas utiliser d'insecticide à proximité de l'appareil ni de produits inflammables.

- L'appareil risque de prendre feu ou le coffret risque d'être déformé.



**BORDS POINTUS!**  
Les bords du cas peuvent être pointus!

- Faites attention en manipulant le boîtier. Saisissez le boîtier fermement et ne le laissez pas glisser tout en le tenant.
- Employez les gants lourds pour manipuler le boîtier au besoin.
- Ne laissez pas le boîtier glisser contre votre peau!



Si le liquide des piles entre en contact avec votre peau ou vos vêtements, nettoyez-les bien avec de l'eau. N'utilisez pas la télécommande si les piles ont subi des fuites.

- Les produits chimiques à l'intérieur des piles pourraient vous causer des brûlures ou d'autres ennuis de santé.



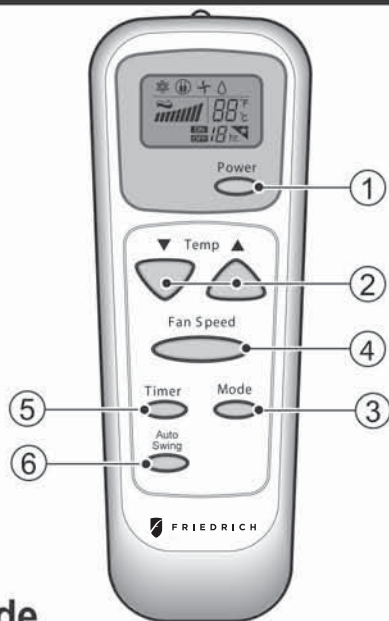
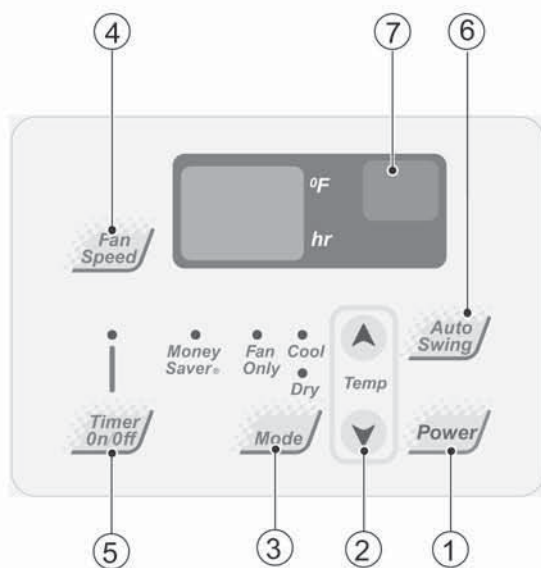
Si vous ingurgitez le liquide de la pile, lavez-vous les dents et consultez votre dentiste. Ne pas utiliser la télécommande si les piles ont fuit.

- Les produits chimiques à l'intérieur des piles pourraient vous causer des brûlures ou d'autres ennuis de santé.





# Fonctionnement de la télécommande CP



FRANÇAIS

## Fonctionnement de la télécommande

### 1. POWER

Appuyez sur cette touche pour activer l'appareil et appuyez de nouveau pour le désactiver.

### 2. CONTRÔLE DE TEMPÉRATURE

Le thermostat surveille la température de la pièce afin d'y maintenir la température souhaitée. Vous pouvez régler le thermostat entre 60°F~86°F (16°C~30°C).

### 3. SÉLECTEUR DE MODE DE FONCTIONNEMENT

Rafraîchissez la pièce à l'aide du mode de refroidissement. Pour le fonctionnement en mode d'économie d'énergie, sélectionnez le mode économiseur d'énergie. Pour le fonctionnement normal du ventilateur, sélectionnez le mode ventilateur. Pour la déshumidification, sélectionnez le mode sans humidité.

### 4. SÉLECTEUR DE RÉGIME DU VENTILATEUR

Pour un refroidissement accru, réglez le ventilateur à un régime supérieur. 3 niveaux : Low; Med; High

### 5. MINUTERIE ACTIVATION/DÉSACTIVATION

ON: Si l'unité est hors tension, utilisez la minuterie pour régler le nombre d'heures avant le démarrage de l'unité.

-Appuyez sur le bouton de la minuterie pour avancer le réglage d'1 heure  
-2hrs .....24hrs maximum.

OFF: Vous êtes habituellement en horaire d'extinction quand vous dormez.

-si l'unité est en fonctionnement, utilisez la minuterie pour régler le nombre d'heures jusqu'à l'extinction.  
-pour votre confort une fois l'heure réglée, le réglage de la température augmentera de 2°F après 30 minutes puis encore une fois après 30 minutes.  
-Appuyez sur le bouton de la minuterie pour le réglage d'1 heure  
-2hrs.....24hrs maximum.

### 6. OSCILLATION AUTOMATIQUE

Ce bouton peut contrôler automatiquement la direction de l'air.

### 7. CAPTEUR DE SIGNAL DE TÉLÉCOMMANDE

Pour recevoir le signal de la télécommande

## Remplacement des piles de la télécommande

1. Retirez le couvercle situé à l'arrière de la télécommande avec votre pouce.
2. Notez la polarité des piles et insérez deux piles AAA 1,5V neuves.
3. Remplacez le couvercle.



**NOTE :** N'utilisez pas de piles rechargeables.

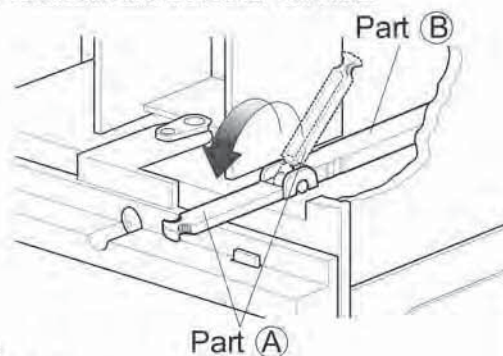
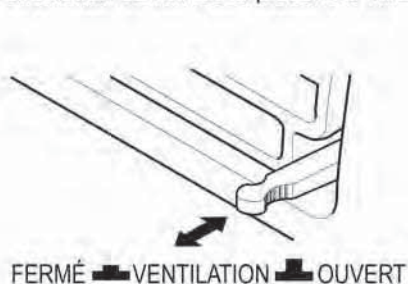
Remplacez les deux piles à la fois.

• Si vous ne prévoyez pas utiliser le climatiseur pour une longue période de temps, retirez les piles de la télécommande. Assurez-vous de remettre la télécommande à l'écart des endroits excessivement chauds ou humides. Pour vous assurer du meilleur rendement possible de votre télécommande, protégez le capteur de télécommande des rayons directs du soleil.

# Réglage de l'orientation du débit d'air

## Commande de l'orifice de ventilation

Pour une efficacité maximum du refroidissement, fermez l'ORIFICE DE VENTILATION. Ceci activera la circulation de l'air de la pièce. OUVREZ l'orifice de ventilation afin d'évacuer l'air vicié.



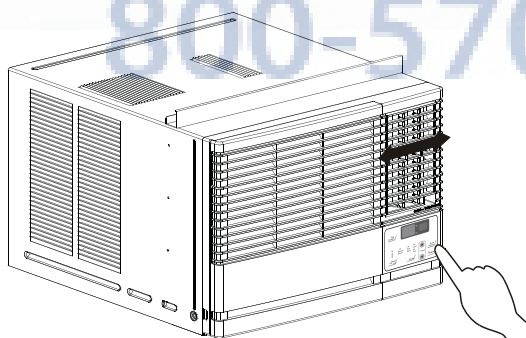
NOTE: La poignée de contrôle du ventilateur doit être redressée avant que la partie décorative frontale soit fixée. Tirer la partie A à aligner avec la partie B.

FRANÇAIS

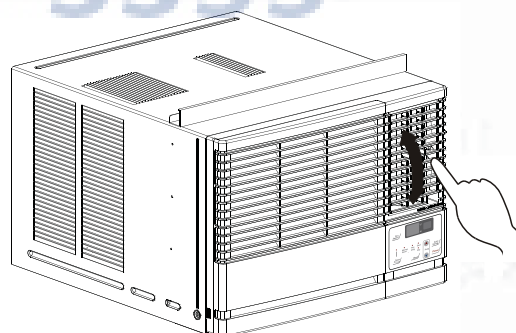
## Réglage de l'orientation du débit d'air

Vous pouvez régler le débit d'air en changeant l'orientation des volets du climatiseur.

- Réglage de l'orientation horizontale du débit d'air  
Le réglage des volets verticaux vers la gauche et la droite changera l'orientation du débit d'air horizontal.
- Réglage de l'orientation verticale du débit d'air  
Quand vous réglez le louvre horizontal vers le haut et vers le bas, vous changez le flux d'air vertical. Le louvre peut être réglé en appuyant sur le sommet ou le bas du louvre horizontal.



Réglage du débit d'air horizontal



Réglage du débit d'air vertical

# Soins et entretien

Avant de nettoyer le climatiseur, éteignez-le et débranchez la fiche d'alimentation.

## Filtre à air

Afin de maintenir l'efficacité du climatiseur à son meilleur niveau, vous devriez nettoyer le filtre à air, situé en arrière de la grille de prise d'air, au moins à toutes les deux semaines (ou au besoin).

### Comment retirer le filtre à air

1. Ouvrez la grille d'admission vers le haut en retirant le fond de la grille d'admission.(a)
2. Enlevez le filtre à air de la grille d'assemblage avant en levant le filtre à air vers le haut ou bas légèrement.
3. Lavez le filtre en utilisant de l'eau tiède au dessus 104°F(40° C).(b)
4. Secouez doucement l'excès d'eau du filtre complètement. Si le filtre est complètement sec, remplacez-le.

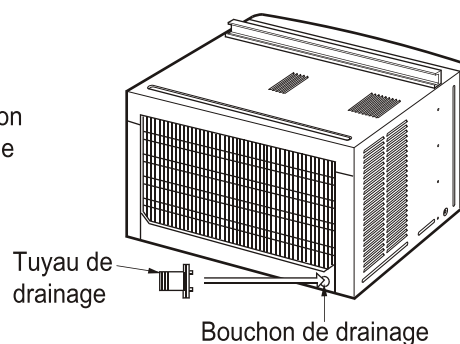


Madison  
Your Appliance Authority™  
800-570-3355

## Drainage

Le réceptacle d'eau peut déborder selon le taux d'humidité. Pour évacuer l'excédent d'eau, retirez le bouchon de drainage situé à l'arrière de l'appareil et installez le tuyau de drainage.

En installant le tuyau de drainage, appliquez la pression dans le sens opposé des ailettes de refroidissement de manière à ne pas vous blesser.



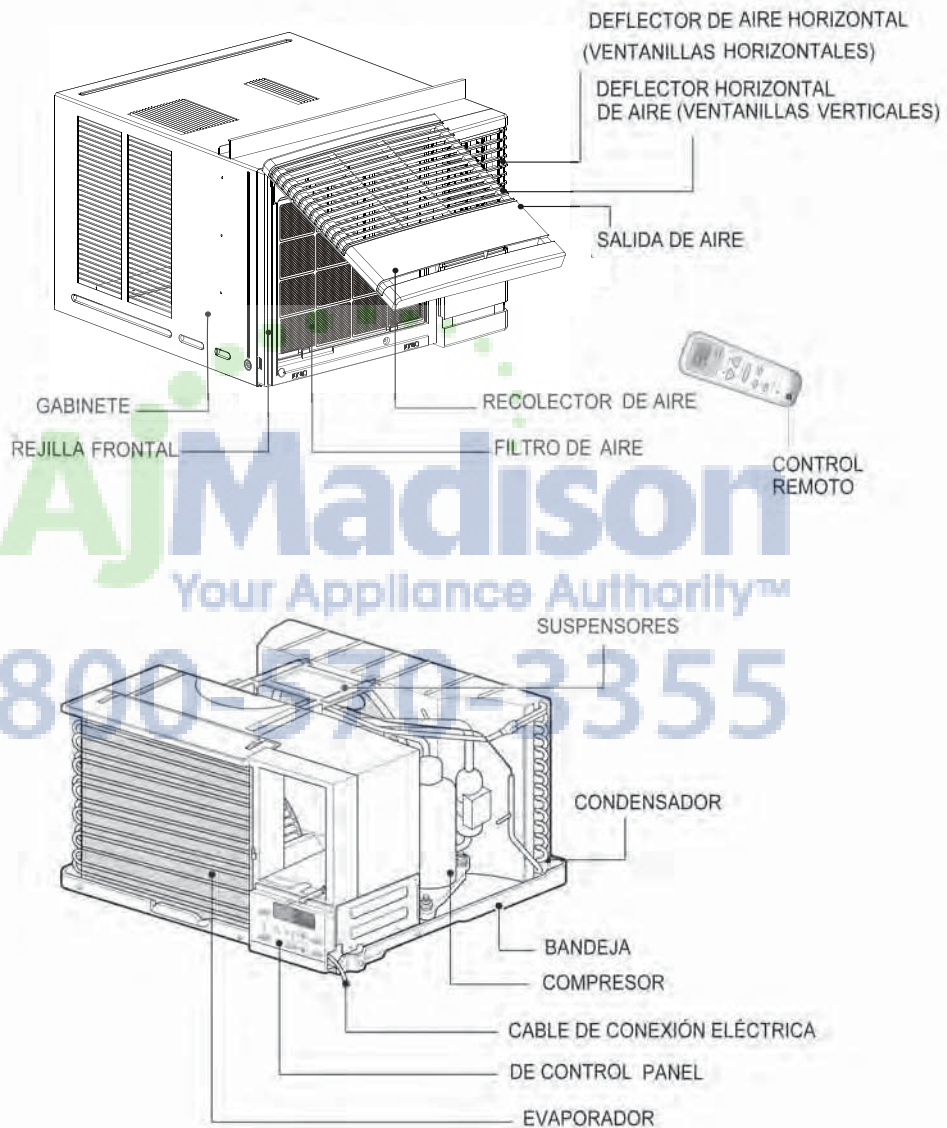
# Installation du matériel

## Caractéristiques particulières de l'appareil



### ATTENTION

Cet appareil doit être installé en fonction des normes électriques locales, régionales et nationales. L'illustration suivante sert à situer les différents éléments de l'appareil.



# Guide d'installation

---

Lisez complètement et avec soin ces instructions.

## Outils nécessaires

---

- Tournevis à tête Phillips
- Tournevis à lame plate
- Règle ou ruban de mesure
- Ciseaux ou couteau
- Crayon
- Niveau
- Marteau

## Avant de commencer

---

### **REMARQUE POUR L'INSTALLATEUR :**

Remettez ces instructions au client après avoir achevé l'installation du climatiseur.

**REMARQUE POUR LE CLIENT :** Conservez ce Manuel d'installation et de fonctionnement pour une future utilisation.

### **Remarques importantes :**

Nous recommandons que le revêtement soit correctement placé pendant l'installation.

Pour votre sécurité personnelle, ce climatiseur doit être correctement mis à terre.

Il est important d'avoir une prise de courant et un circuit qui soient contrôlés par un électricien qualifié si vous avez des doutes sur l'existence d'une mise à terre correcte.

### **ATTENTION :**

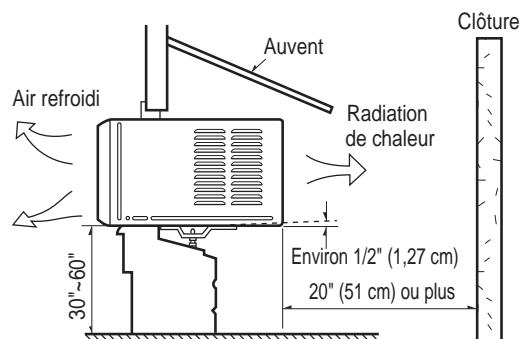
Dans tous les cas, ne coupez pas ou n'enlevez pas la troisième broche (terre) de cordon d'alimentation.

Ne changez pas la fiche du cordon d'alimentation de ce climatiseur.

L'installation électrique en aluminium pourrait présenter des problèmes particuliers – consultez un électricien qualifié.

## Installation de l'appareil

1. Installez l'appareil solidement et sécuritairement de manière à prévenir la présence de vibrations et bruits.
2. De préférence, installez l'unité où les rayons solaires ne peuvent pas l'atteindre directement.
3. Le boîtier doit sortir d'au moins 12" à l'extérieur et aucun obstacle du genre clôture ou mur doit se situer à moins de 20" de l'arrière du boîtier car cela nuira à la radiation de chaleur du condenseur. La capacité de refroidissement du climatiseur sera sérieusement affectée par une restriction d'alimentation d'air extérieur.



**MISE EN GARDE :** Attention : tous les louvres latéraux du boîtier doivent restés ouverts et non bouchés vers l'extérieur de la structure.

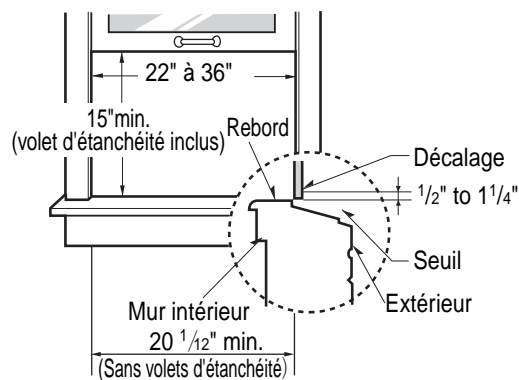
4. Installez l'unité avec une inclinaison arrière vers le bas pour que l'arrière soit légèrement plus bas que l'avant d'environ. Cela force la condensation à couler vers l'extérieur.
5. Installez l'appareil de manière à ce que sa surface inférieure se situe entre 30" et 60" (76 et 152 cm) au-dessus du niveau du plancher.

**Madison**  
Your Appliance Authority™  
800-570-3355

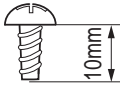
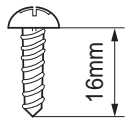
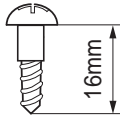
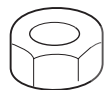
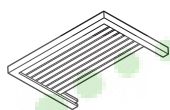
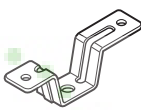
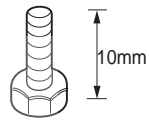
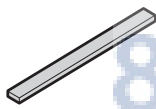
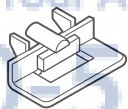
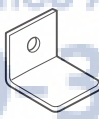

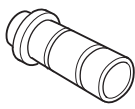
## Dimensions de fenêtre minimales

**NOTE :** Tous les éléments d'installation doivent être fixés à du bois, de la maçonnerie ou du métal sain et solide.

- Cet appareil est conçu pour installation dans des fenêtres à guillotine normales de largeur variant entre 22" et 36".
- Les châssis supérieur et inférieur de la fenêtre doivent offrir une ouverture verticale d'au moins 15" entre le bas du châssis supérieur et le rebord de la fenêtre.



## Contenu du nécessaire d'installation

Tipo A:13 EA (TORNILLO) ①	Tipo B:3 EA (TORNILLO) ②		Tipo C:5 EA (TORNILLO) ③
			
Tipo D:2 EA (TUERCA) ④	Tipo E:2 EA (PANEL GUÍA) ⑤	Tipo F:2 EA (SOPORTE DE ALFÉIZAR) ⑥	Tipo G:2 EA (TORNILLO) ⑦
			
Tipo H:1 EA ⑧ (TIRA DE GOMA)	Tipo K:2 EA ⑨ (GUÍA MARCO)	Tipo L:1 EA ⑩ (CHAPA DE SOPORTE PARA LA VENTANA)	Tipo M:1 EA ⑪ (BANDA ADHESIVA)
			
Tipo N:1 EA ⑫ (TAPA DEL DESAGÜE)			
			

Para la instalación debería tener a disposición los instrumentos siguientes:

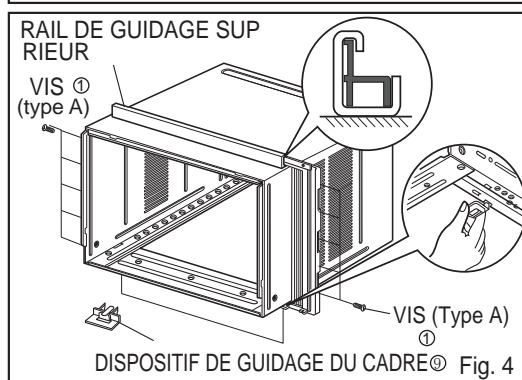
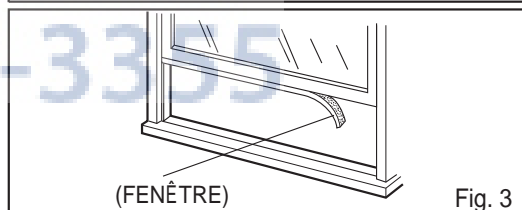
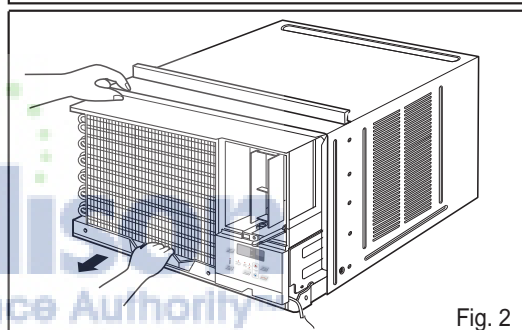
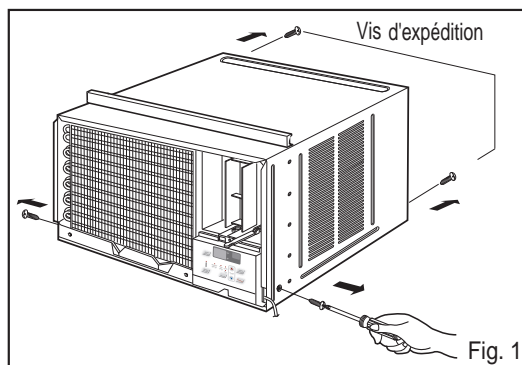
- \* Destornillador (Estrella y Phillips)
- \* Regla
- \* Cucjillo
- \* Martillo
- \* Lápiz Nivel

## Outils recommandés

TOURNEVIS (+, -), RÈGLE, COUTEAU, MARTEAU, CRAYON, NIVEAU

### PRÉPARATION DU CADRE

1. Déposez les vis situées de part et d'autre et à l'arrière du boîtier. (Fig 1)
2. Tout en retenant le boîtier, glissez l'appareil hors du boîtier en tirant vers l'avant sur la poignée du réceptacle d'eau. (Fig 2)
3. Corte la banda adhesiva y coló quela del ancho de la ventana. Remueva el plástico de la banda adhesiva y colóquela en la parte superior de el marco inferior de la ventana.
4. Insérer les guides du cadre dans la base du coffrage, la partie frontale du cadre devant être face à la partie frontale de celui-ci. (Fig 4)
5. Insérez les volets d'étanchéité dans le rail de guidage supérieur et dans les dispositifs de guidage du cadre. (Fig 4)
6. Fixez les volets d'étanchéité à l'appareil à l'aide de quatre vis de type A. (Fig 4)





## Installation du boîtier

1. Ouvrez la fenêtre. Tracez une ligne au centre du rebord de fenêtre.

Placez le boîtier soigneusement sur le rebord de fenêtre et alignez le repère central de sa portion inférieure avant avec la ligne tracée sur le rebord de fenêtre. (Fig. 1)

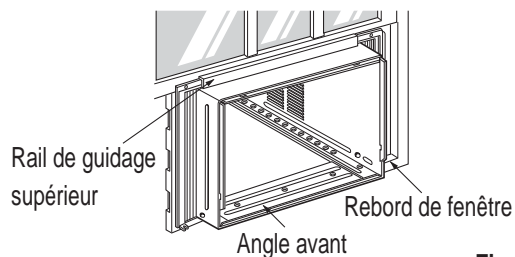


Fig. 1

2. Abaissez le châssis inférieur à l'arrière du rail de guidage supérieur jusqu'à ce qu'ils fassent (Fig. 2)

**NOTE:** Ne serrez pas le châssis de fenêtre au point où cela nuira au mouvement des volets d'étanchéité. ©

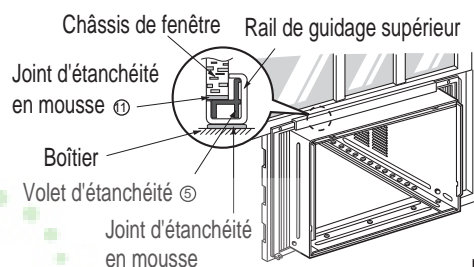


Fig. 2

3. Assemblez le support de seuil © à l'aide des pièces illustrées dans la fig. 3 mais ne les serrez pas. (Fig. 3)

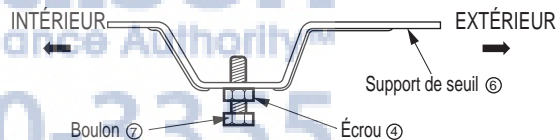


Fig. 3

4. Choisissez l'emplacement qui situera le support de seuil © à l'emplacement le plus à l'extérieur du seuil (Fig. 4).

**NOTE :** Installez le boîtier avec précaution (les dispositifs de guidage de cadre © peuvent briser).

5. Fixez les supports de seuil © aux orifices de guidage du boîtier, en fonction de l'emplacement sélectionné, à l'aide de 2 vis de type A pour chaque support (Fig. 4).

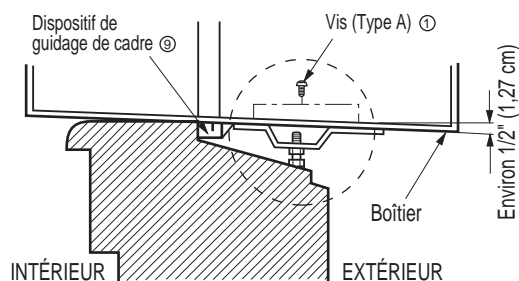
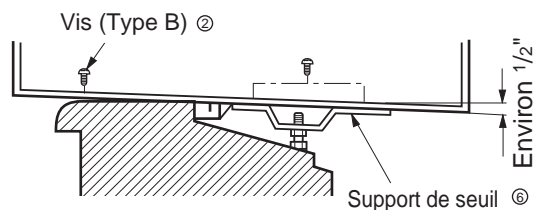


Fig. 4

6. Installez le boîtier avec une inclinaison d'environ 1/2" (1,27 cm) vers l'extérieur (Voyez la fig. 5). Réglez l'écrou et le boulon des supports de seuil ⑥ de manière à équilibrer le boîtier.



7. Fixez le boîtier au rebord de fenêtre à l'aide de vis de type B ② (16 mm [5/8"] de long) passant à travers de l'angle avant du boîtier et se logeant dans le rebord de fenêtre.

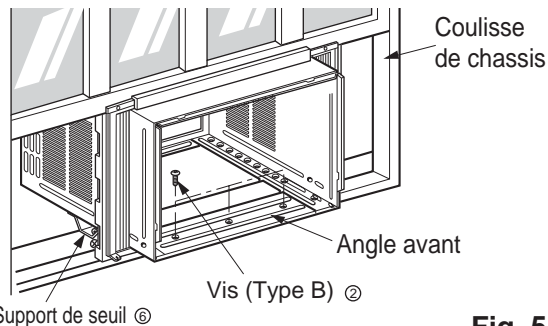


Fig. 5

8. Tirez chaque volet d'étanchéité ⑤ entièrement contre chaque coulisse de châssis et répétez l'étape 2. (Fig. 5)

9. Fixez chaque volet d'étanchéité ⑤ à la coulisse de châssis à l'aide de vis de type C ③ (Fig. 6)

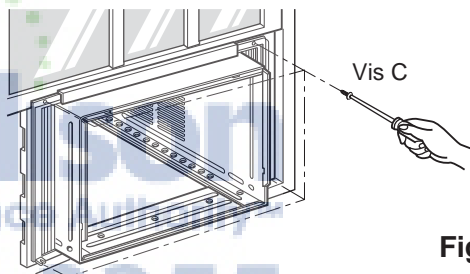


Fig. 6

**MISE EN GARDE** : Ne percez pas de trous dans le réceptacle d'eau. L'appareil est conçu pour fonctionner avec environ 1/2" (1,27 cm) d'eau présent dans le réceptacle d'eau. S'il n'y a pas d'eau dans le réceptacle, il n'est pas nécessaire d'en ajouter.

10. Glissez l'appareil dans le boîtier. (Fig. 7)

**ATTENTION** : Pour votre sécurité, réinstallez le 2 (type A) qui avait été enlevé à l'étape 1 de la page 12, sur le côté du boîtier.

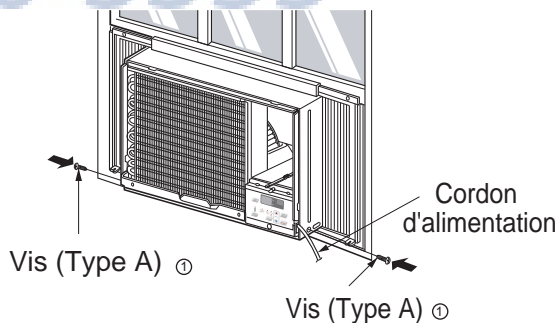


Fig. 7

11. Coupez la bande en mousse à la longueur appropriée et insérez-la entre les châssis supérieur et inférieur de la fenêtre. (Fig. 8)

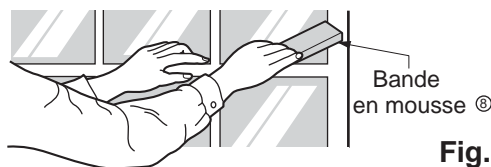


Fig. 8

12. Fixez l'étrier de verrouillage de fenêtre ⑩ à l'aide d'une vis de type C® (Fig. 9)



Fig. 9

13. Fixez la grille avant au boîtier en en insérant les languettes de la grille dans les encoches situées à l'avant du boîtier. Poussez la grille jusqu'à ce que vous l'entendiez cliquer en place. (Fig. 10)

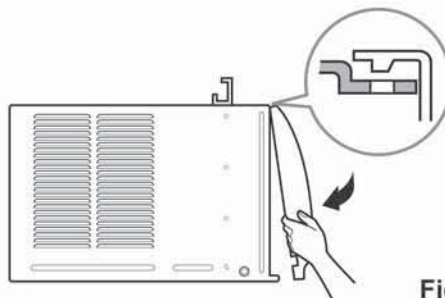


Fig. 10

14. Abaissez la grille de prise d'air et et fixez-la à l'aide d'une vis de Type A passant à travers de la grille. (Fig. 11)
15. L'installation du climatiseur de pièce est maintenant complétée. Pour les détails de branchement du cordon d'alimentation à une prise de courant murale, veuillez vous reporter à SPÉCIFICATIONS ÉLECTRIQUES.

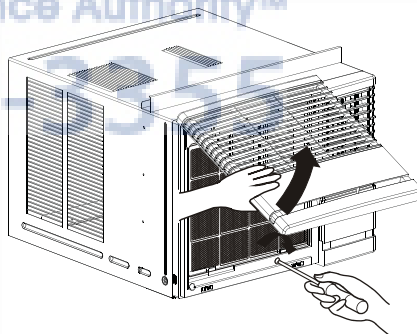


Fig.11

# Installation sur le mur - Instruction facultative

La boîte cas peut être installée sur le mur dans la construction tant existante que nouvelle. Lisez complètement, puis suivez étape par étape.

NOTE: Obtenez tous les matériaux localement pour monter le climatiseur à travers le mur.

## 1 IMPORTANT(cont.)

**D** A bloqué avec 14 vis en bois au moins a ancré dans la structure de support mural.

NOTE : Percez les trous pilotes, si nécessaire, pour l'installation appropriée. Si le cadre est surdimensionné, utilisez les

## 1 IMPORTANT

L'installation sur le mur n'est pas appropriée si un des côtés ou la plus haute lucarne de boîte est obstrué par le mur.

Tous les côtés et le plus haute lucarne de boîte doivent projeter sur le côté extérieur du mur.

Le côté vers la salle de boîte doit projeter dans la salle assez lointaine pour maximiser l'équilibre de l'unité.

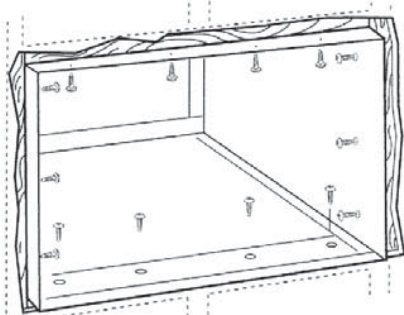
La boîte doit être installée de niveau d'une inclinaison verticale et avec légère d'avant à rear. Use un niveau ;

L'angle de linteau est exigé pour soutenir des briques ou des blocs au-dessus de l'ouverture.

Le clignotant est exigé et devrait prolonger la longueur de l'ouverture pour ne pas assurer la fuite intérieure de cavité se produit.

**A** Un enlèvement le climatiseur de la boîte. Pour l'instruction spécifique, référez-vous aux instructions d'Installation de fenêtre

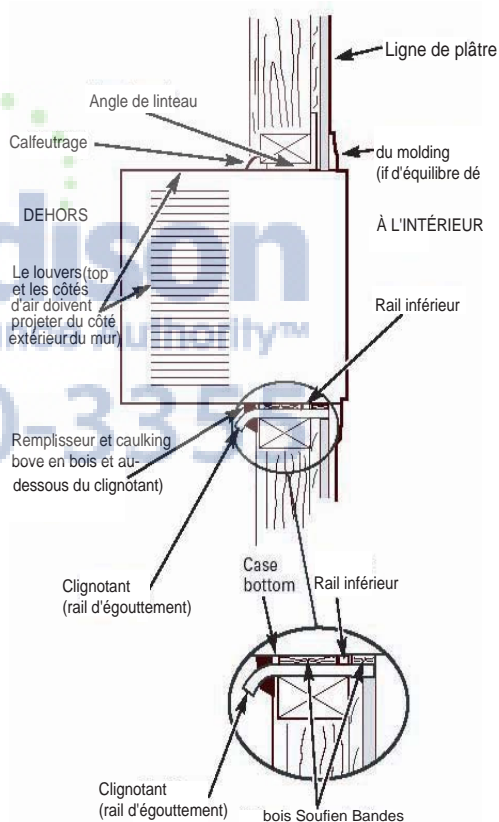
**B** Assurez-vous qu'une prise murale est disponible près de l'endroit de trou ou prenez les arrangements pour installer un receptacle



**C** Placez le cas dans l'ouverture de mur et les bandes en bois de soutien d'endroit entre le fond de cas et le clignotant des deux côtés du fond rail. Ils devraient être la même taille que le rail inférieur et la même longueur que l'ouverture de mur.

## 2 FINISSEZ L'OUVERTURE DE MUR

**A** Calfeutrez quatre côtés du côté extérieur du cas pour empêcher l'humidité d'obtenir à travers au mur intérieur. Utilisation du clignotant (le rail)will d'égouttement empêchent plus loin l'eau de s'égoutter à l'intérieur du mur et avalent l'extérieur du bâtiment.



**B** placent le climatiseur dans le cas. Pour l'instruction spécifique, référez-vous aux instructions d'installation de fenêtre.

# Problèmes fréquents et solutions

Avant de contacter un centre de service, consultez la liste suivante de problèmes fréquents et solutions.

## Le climatiseur fonctionne normalement et :

- Vous entendez un cliquetis. Ceci est dû à l'accumulation d'eau sur le condenseur par temps pluvieux ou lors de conditions très humides. Cette caractéristique est conçue pour aider à déshumidifier l'air et améliorer la capacité de refroidissement.
- Vous entendez cliquer le thermostat. Ceci est dû au démarrage et à l'arrêt du cycle du compresseur.
- Vous apercevez de l'eau s'écoulant de l'arrière du climatiseur. Lors de temps pluvieux ou à haut taux d'humidité, l'eau s'accumule dans le réceptacle d'eau. Cette eau déborde du réceptacle et s'écoule depuis l'arrière de l'appareil.
- Vous entendez fonctionner le ventilateur alors que le compresseur est arrêté. Cela est une caractéristique de fonctionnement normale.

## Le climatiseur fonctionne normalement et :

Problème	Causes possibles	Solutions
<b>Le climatiseur ne fonctionne pas du tout.</b>	<ul style="list-style-type: none"> <li>■ Le climatiseur est débranché ou mal branché.</li> </ul>	<ul style="list-style-type: none"> <li>• Veillez à ce que la fiche soit convenablement insérée dans la prise de courant murale.</li> </ul>
	<ul style="list-style-type: none"> <li>■ Fusible sauté ou disjoncteur ouvert.</li> <li>■ Panne de courant</li> </ul>	<ul style="list-style-type: none"> <li>• Contrôlez le fusible ou le disjoncteur et remplacez le fusible ou refermez le disjoncteur.</li> <li>• Dans le cas d'une panne de courant, placez la commande d'alimentation à OFF. Lorsque le courant revient, attendez 3 minutes avant de redémarrer le climatiseur afin d'éviter de surcharger le compresseur.</li> </ul>
<b>Le climatiseur ne refroidit pas.</b>	<ul style="list-style-type: none"> <li>■ Le dispositif de coupure est déclenché.</li> </ul>	<ul style="list-style-type: none"> <li>• Appuyez sur le bouton RESET qui se trouve sur la fiche du cordon d'alimentation.</li> <li>• Si le bouton RESET ne reste pas activé, veuillez suspendre l'utilisation du climatiseur et contacter un technicien qualifié.</li> </ul>
	<ul style="list-style-type: none"> <li>■ Le débit d'air est restreint.</li> </ul>	<ul style="list-style-type: none"> <li>• Veillez à ce qu'il n'y ait aucun rideau, store, pièce de mobilier ou autre obstacle placé à l'avant du climatiseur.</li> </ul>
	<ul style="list-style-type: none"> <li>■ Il se peut que le THERMOSTAT ne soit réglé à une température assez froide.</li> </ul>	<ul style="list-style-type: none"> <li>• Sélectionnez un réglage supérieur. Le réglage le plus haut fournit le refroidissement maximum.</li> </ul>
	<ul style="list-style-type: none"> <li>■ Le filtre à air est encrassé.</li> </ul>	<ul style="list-style-type: none"> <li>• Nettoyez le filtre à air au moins aux deux semaines. Reportez-vous à la section "Soins et entretien" (p.9) du manuel d'utilisation.</li> </ul>
	<ul style="list-style-type: none"> <li>■ Le climatiseur vient à peine d'être allumé.</li> <li>■ L'air froid se perd.</li> </ul>	<ul style="list-style-type: none"> <li>• Une fois le climatiseur allumé, il lui faut un certain temps pour refroidir la pièce.</li> <li>• Contrôlez la présence de registres de fournaise et de retours d'air froid.</li> <li>• FERMEZ l'orifice de ventilation du climatiseur.</li> </ul>
<b>Présence de glace sur le climatiseur</b>	<ul style="list-style-type: none"> <li>■ Givrage des serpentins de refroidissement</li> </ul>	<ul style="list-style-type: none"> <li>• Voyez Présence de glace sur le climatiseur ci-dessous.</li> </ul>
	<ul style="list-style-type: none"> <li>■ Givrage des serpentins de refroidissement</li> </ul>	<ul style="list-style-type: none"> <li>• La glace peut obstruer le débit d'air et nuire au refroidissement approprié de la pièce. Réglez le ventilateur à MED ou HIGH tout en réglant le thermostat à 1 ou 2 jusqu'à ce que la glace fonde.</li> </ul>



# F R I E D R I C H

## Friedrich Air Conditioning Company

10001 Reunion Place, Suite 500

San Antonio, Tx 78216

800.541.6645

www.friedrich.com

## **GARANTIE LIMITÉE CLIMATISEURS INDIVIDUELS**

### **PREMIÈRE ANNÉE**

**TOUTES LES PIÈCES** - Si, dans les 12 mois suivant la date d'achat initial, une pièce fournie par FRIEDRICH devenait défectueuse en raison d'un défaut de fabrication ou de matériau, FRIEDRICH réparera le produit gratuitement, dans la mesure où le climatiseur est raisonnablement accessible pour la réparation. Tous les frais de main d'oeuvre additionnels pour la dépose d'un appareil difficilement accessible et/ou les frais de déplacement (kilométrage) encourus par le réparateur, au delà de 40 km (25 miles) dans une seule direction, sont la responsabilité du propriétaire. Cette compensation est reconnue comme étant la seule compensation offerte dans les 12 mois qui suivent la date d'achat initial.

### **DEUXIÈME À CINQUIÈME ANNÉE**

**SYSTÈME FRIGORIFIQUE HERMÉTIQUE** - Si le système frigorifique hermétique (comprenant, aux termes de cette garantie, le compresseur, le serpentin de condenseur, le serpentin d'évaporateur, le robinet d'inversion, le clapet anti-retour, le tube capillaire, le déshydrateur-filtre et toute la tuyauterie interconnectée) intégré par FRIEDRICH à votre climatiseur devenait défectueux en raison d'un défaut de fabrication ou de matériau dans les 60 mois à compter de la date d'achat initial, FRIEDRICH allouera un dédommagement pour les frais de main d'oeuvre et les pièces nécessaires à la réparation du système frigorifique hermétique. FRIEDRICH ne prendra pas en charge les frais de diagnostic, de dépose et de transport du climatiseur jusqu'au centre de réparation et retour, ni les frais de réinstallation consécutifs à la réparation. Tous ces frais sont à la charge du propriétaire. Ce dédommagement est reconnu comme étant la seule compensation offerte dans les 60 mois qui suivent la date d'achat initial.

**CONDITIONS D'APPLICATION ET RESTRICTIONS** - Cette garantie s'applique exclusivement aux appareils vendus au détail aux États-Unis, dans le District de Columbia et au Canada. Cette garantie ne s'applique pas :

1. Aux filtres à air ni aux fusibles ;
2. Aux produits dont le numéro de modèle et le numéro de série ont été enlevés ;
3. Aux produits dont la défaillance ou les dommages résultent d'une mauvaise installation, d'un mauvais câblage, d'une tension d'alimentation inadéquate ou d'un mauvais entretien; ni lorsqu'ils sont causés par un accident, une utilisation erronée ou abusive, un incendie, une inondation, une modification et/ou une erreur d'application du produit. La garantie ne s'applique pas non plus aux appareils installés dans une atmosphère corrosive, ni aux problèmes ou délais d'utilisation résultant d'actes de guerre, de restrictions ou de contraintes gouvernementales, de grèves, de pénuries de matériau indépendantes du contrôle de FRIEDRICH, ou de catastrophes naturelles.

**EXÉCUTION DE LA GARANTIE** - Les réparations seront effectuées par un revendeur ou un centre de réparation agréés par FRIEDRICH et situés dans votre région. Leurs coordonnées se trouvent dans les Pages Jaunes. Si vous avez besoin d'assistance pour obtenir une réparation sous garantie.

**EXCLUSIONS - CETTE GARANTIE EST OFFERTE À L'EXCLUSION DE TOUTE AUTRE GARANTIE. Nonobstant les clauses cette garantie, TOUTE GARANTIE IMPLICITE DE CONFORMITÉ POUR UN USAGE PARTICULIER ET/OU DE QUALITÉ MARCHANDE SERA LIMITÉE À LA DURÉE DE LA PRÉSENTE GARANTIE EXPRESSE. LE FABRICANT DÉCLINE ET EXCLUT FORMELLEMENT TOUTE RESPONSABILITÉ POUR LES DOMMAGES ET PRÉJUDICES INDIRECTS RELATIFS À L'INEXÉCUTION DE TOUTE GARANTIE EXPRESSE OU IMPLICITE.**

**La performance de l'obligation de Garantie de Friedrich est limitée à une des méthodes suivantes :**

1. Réparation de l'unité
2. Un remboursement au client pour la valeur distribuée au prorata de l'unité basée sur la période restante de garantie de l'unité.
3. L'établissement d'une unité de remplacement de valeur égale

**La méthode pour fulfillment de l'obligation de garantie est à la discrétion unique de Friedrich.**

**REMARQUE** - Certaines provinces n'autorisent pas de restriction sur la durée d'une garantie implicite ou n'autorisent pas de restriction ni d'exclusion des dommages ou préjudices indirects. Il est donc possible que ces exclusions et restrictions ne s'appliquent pas à vous.

**AUTRE** - Cette garantie vous accorde des recours légaux spécifiques mais il est possible que vous bénéficiiez d'autres droits selon votre province.

**PREUVE D'ACHAT** - Pour bénéficier des services offerts par la présente garantie, l'acquéreur devra fournir une preuve d'achat.

Tous les appels de service relatifs au fonctionnement de ce produit sont à la charge du consommateur.

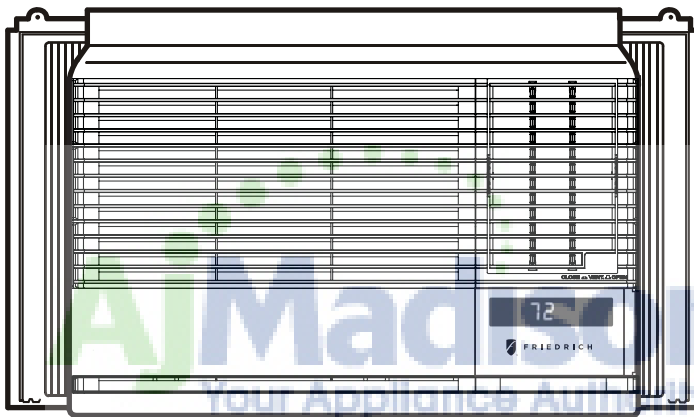
Toute réparation sous garantie doit être effectuée par un centre de service agréé par FRIEDRICH, sauf autorisation expresse de FRIEDRICH au préalable.



F R I E D R I C H

# Acondicionador de aire para habitación

## Manual de Instalación y



800-570-3355

## Chill

115 Volts

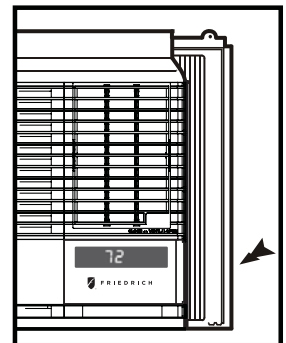
• CP06

• CP08

ESPAÑOL

### Registrar su acondicionador de aire para habitación

Model information can be found on the name plate located on the  
La información sobre el modelo puede hallarse en la placa ubicada en el  
costado de la unidad más cercana al panel de control. Complete y envíe por  
correo la tarjeta de registro de propietario que se entrega con este producto, o  
bien regístrese por Internet en [www.friedrich.com](http://www.friedrich.com) (sólo para EE.UU.) Para su  
conveniencia en el futuro, registre aquí la información sobre su modelo.



NÚMERO DE MODELO    NÚMERO DE SERIE    FECHA DE COMPRA

---

## **Felicitaciones!**

**Ha comprado un acondicionador de aire para habitación Friedrich.  
El Friedrich está diseñado para proveer el máximo de bienestar y de tranquilidad.**

## **Contenidos**

---

Introducción.....	2
Precauciones de seguridad .....	3
Funcionamiento del control remoto CP.....	5
Cómo hacer funcionar a su Friedrich.....	6
Ajustar la dirección del flujo de aire .....	7
Instrucciones para la instalación .....	8
Cuidado y mantenimiento .....	9
Instalación de la unidad .....	10
Seguridad eléctrica .....	16
Problemas y soluciones habituales .....	18
Garantía.....	19

---



# Introducción

## Antes de poner en funcionamiento su unidad

### Asegúrese que el tipo de cable sea el adecuado a su unidad.

Si tiene fusibles, deben ser del tipo de tiempo retardado. Antes de instalar o reubicar esta unidad, asegúrese que el nivel de amperaje del disyuntor o del fusible de tiempo retardado no exceda el amperaje que figura en la figura 1.

### NO use cables de extensión.

El cable provisto llevará la cantidad adecuada de electricidad a la unidad, un cable de extensión puede no hacerlo.

### Asegúrese que el receptáculo es compatible con el enchufe provisto.

Este asegura la conexión a masa correcta. Si tiene un receptáculo de dos clavijas, necesitará reemplazarlo por un receptáculo de tres clavijas que cumpla con todos los códigos de las diferentes naciones y las ordenanzas. Debe usar el enchufe de tres clavijas con el acondicionador de aire.


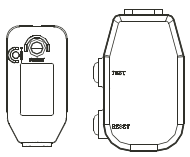
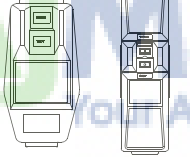
MODELO	CIRCUITO REGIMEN O TIEMPO DE RETARDO FUSIBLE		CARA DEL ENCHUFE	
	AMP	VOLT	NEMA NO.	
CP06 CP08	15	125	5-15P	

Figura 1

115V~	230V~	
		2) El cable de alimentación puede incluir un dispositivo interruptor de corriente. La carcasa del enchufe cuenta con un botón de prueba y otro de reinicio. El dispositivo debe comprobarse periódicamente presionando primero el botón TEST y después RESET. Si el botón TEST no se desconecta o si el botón RESET no permanece activo, suspenda el uso del aire acondicionado y póngase en contacto con un técnico de servicio cualificado.

### CONSEJO

El cableado doméstico de aluminio podría ocasionar problemas especiales. Consulte a un electricista calificado.

## Para un mejor rendimiento del enfriador y eficiencia energética Mantenga limpio el filtro

Asegúrese que su acondicionador de aire esté en su condición óptica de rendimiento limpiando regularmente el filtro.

Las instrucciones para quitar y limpiar el filtro pueden encontrarse en la página 8.

## Provee buen flujo de aire

Asegúrese que no esté obstruida la corriente de aire desde y hacia la unidad. Su acondicionador de aire saca el aire de la parte superior de la unidad y lleva aire a la parte inferior. El flujo de aire es fundamental para un buen funcionamiento. También es muy importante que en el exterior del edificio, la corriente de aire alrededor del acondicionador no se vea bloqueada.

## Ubicación de la unidad

Si su acondicionador de aire puede ser ubicado en una ventana o una pared que tenga sombra ya sea de árboles o de otro edificio, la unidad operará más eficientemente. El uso de cortinas o persianas del lado donde da el sol de la vivienda, también ayudará a la eficiencia de la unidad.

## Aislación

Una buena aislación será de gran ayuda para mantener los niveles de comodidad deseables. Las puertas deberán tener protecciones contra el clima. Asegúrese de enmasillar alrededor de las puertas y las ventanas.

# Precauciones de seguridad

Siga estas instrucciones para que no se produzcan daños en la propiedad ni daños personales.

■ Se pueden producir daños si se utiliza el aparato de forma incorrecta al desconocer las instrucciones.



## ADVERTENCIA

Este símbolo indica la posibilidad de lesiones mortales o graves.



## PRECAUCION

Este símbolo indica la posibilidad de lesiones o daños materiales.

■ El significado de los símbolos utilizados en este manual se indica a continuación.



No realice nunca



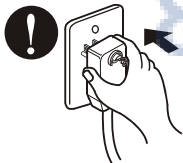
Lleve a cabo siempre



## ADVERTENCIA

### Conecte correctamente el enchufe

- De otra forma, ello ocasionaría una descarga eléctrica o incendio a causa de la generación de calor.



### No opere o pare la unidad insertando o tirando del enchufe

- Ello ocasionaría una descarga eléctrica o incendio a causa de la generación de calor.



### No dañe o utilice un cable eléctrico inadecuado

- Ello ocasionaría una descarga eléctrica o incendio.



### No modifique el largo del cable eléctrico, y tampoco comparta el tomacorriente con otros aparatos

- Ello ocasionaría una descarga eléctrica o incendio a causa de la generación de calor.



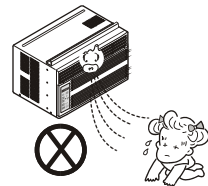
### No lo maneje con las manos húmedas

- Puede ocasionar una descarga eléctrica.



### No dirija el aire directamente hacia los ocupantes de la habitación.

- Esto podría dirigir al problema de la salud.



Para una limpieza interior, póngase en contacto con un Centro de Servicios Autorizado o un revendedor. No utilice detergentes abrasivos que causan corrosión o dañan la unidad.

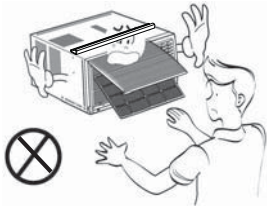
- Los detergentes abrasivos pueden igualmente provocar un fallo del producto, un incendio o una descarga electrónica.



## PRECAUCION

**Cuando se vaya a quitar el filtro de aire no toque las partes metálicas de la unidad interior.**

- Esto podría causar heridas.



**No limpie el acondicionador de aire con agua.**

- El agua podría entrar en la unidad y degradar el aislamiento. También podría causar una sacudida eléctrica.



**Cuando la unidad deberá ser limpiada, cambia la unidad lejos, y lo quita.**

- Puesto que el ventilador gira a alta velocidad durante la operación, podría ocasionar heridas.



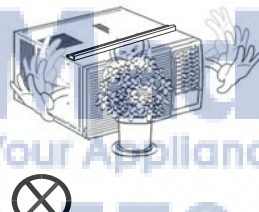
**No opere sin el filtro de aire o cuando la rejilla frontal de toma de aire haya sido removida.**

- Podría causar acumulación de polvo en el intercambiador de calor.



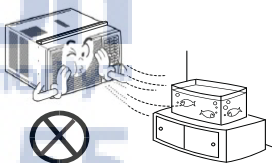
**No ponga un animal doméstico ni una planta donde quede directamente expuesto al flujo de aire.**

- Puede herir animales o plantas



**No lo utilice para propósitos especiales.**

- No utilice este acondicionador de aire para conservar dispositivos de precisión, alimentos y objetos de arte; no ponga tampoco animales y plantas cerca de él. Esto podría deteriorar la calidad, etc.



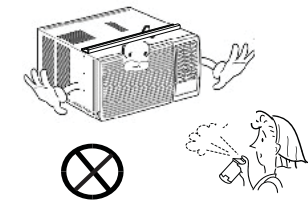
**No manipule los interruptores con las manos mojadas.**

- Esto podría causar una sacudida eléctrica.



**No aplique aerosoles con insecticida o productos inflamables.**

- Esto podría causar un incendio o deformar la caja.



**BORDES AFILADOS!**  
Los bordes de la carcasa pueden ser AFILADOS

- Tenga precaución al majenar la carcasa. Agárrelo firmemente y no permita que se deslice mientras lo mantiene.
- Utilice guantes gruesos para manejar la carcasa según la necesidad.
- NO permita que la carcasa se deslice contra su piel!



**Si entra líquido de las pilas en contacto con la piel o la ropa, lávela inmediatamente con agua. No utilice el control remoto si las pilas tienen fugas.**

- Los productos químicos de las pilas podrían causar quemaduras u otros perjuicios a la salud.

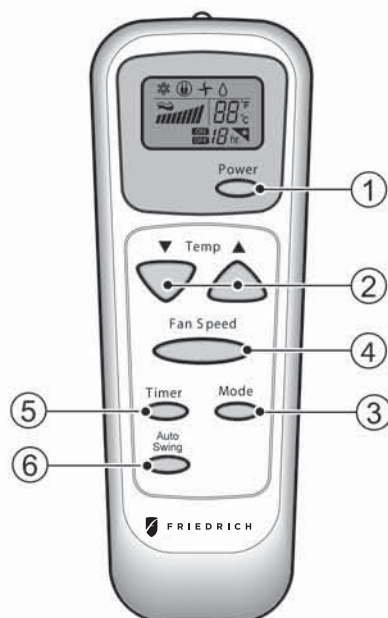
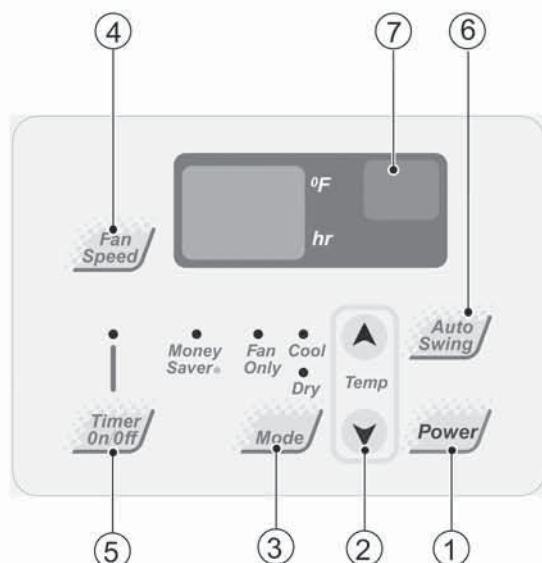


**Si el líquido de las pilas alcanzara su boca, cepille sus dientes y consulte a un médico. No utilice el mando a distancia si las pilas han experimentado fugas.**

- Los productos químicos de las pilas podrían causar quemaduras u otros perjuicios a la salud.



# Funcionamiento del control remoto CP



## Funcionamiento del control remoto

### 1. POWER (encendido)

El funcionamiento se inicia cuando se pulsa esta tecla y se detiene cuando se la presiona nuevamente.

### 2. CONTROL DE TEMPERATURA

El termostato monitorea la temperatura de la habitación para mantener la temperatura deseada.

El termostato puede ser colocado entre 60°F~86°F (16°C~30°C). La unidad toma un promedio de 30 minutos para ajustar la temperatura de la habitación en 1°F.

### 3. FUNCIONAMIENTO DEL MODO SELECTOR

Seleccione el modo fresco (cool) para enfriar la habitación.

Seleccione el modo de ahorro de energía para el funcionamiento del ahorro de energía.

Seleccione el modo ventilador (fan) para el funcionamiento del ventilador.

Seleccione el modo seco (dry) para el funcionamiento seco.

### 4. SELECTOR DE VELOCIDAD DEL VENTILADOR (FAN SPEED)

Para aumentar la capacidad mientras se refresca, seleccione una mayor velocidad del ventilador.

3 Pasos: Low (baja); Med (media); High (alta).

### 5. CRONÍMETRO ON/OFF (ENCENDIDO/APAGADO)

El cronómetro puede ser colocado para iniciar y detener la unidad en incrementos por hora (hasta 24 horas).

ON: Con la unidad apagada, use el temporizador para ajustar las horas antes de que se encienda la unidad.

-Pulse el botón Timer para avanzar el ajuste desde 1h -2h ... 24h como máximo.

OFF: Se utilizará normalmente mientras duerme.

-Con la unidad en funcionamiento, use el temporizador para ajustar las horas que han de transcurrir hasta que se apague la unidad.

-Para dormir con comodidad, y una vez que la hora esté ajustada, el ajuste de la temperatura subirá 2° F transcurridos 30 min., y otros 2° F transcurridos otros 30 min.

-Pulse el botón Timer para avanzar el ajuste desde 1h -2h...24h como máximo.

### 6. AUTOGIRO

Este botón puede controlar automáticamente la dirección del flujo de aire.

### 7. SENSOR DEL CONTROL REMOTO

## Insertar las baterías del control remoto

1. Empuje hacia afuera con su pulgar la cubierta en la parte posterior del control remoto.
2. Preste atención a la polaridad e inserte dos nuevas baterías AAA 1.5V.
3. Vuelva a colocar la cubierta



**NOTA:** No use baterías recargables. Asegúrese que ambas baterías sean nuevas.

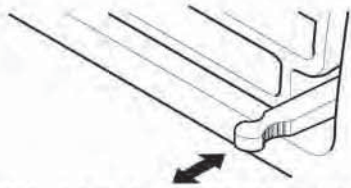
• Para evitar que se descarguen, quite las baterías del control remoto si el acondicionador de aire no va a ser usado por un período largo de tiempo. Mantenga el control remoto lejos de los lugares húmedos o extremadamente calientes. Para mantener el funcionamiento óptimo del control remoto, el sensor remoto no debe exponerse a la luz solar directa.

# Ajustar la dirección del flujo de aire

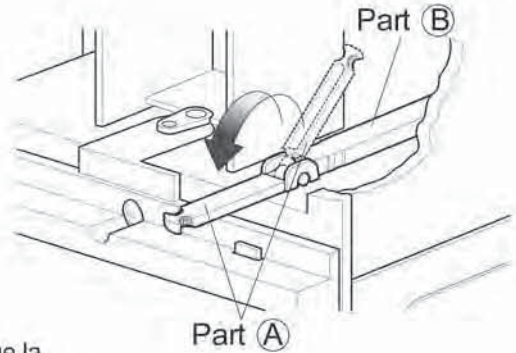
## Control de ventilación

Para máxima eficiencia de frescura, CIERRE la ventilación. Esto permitirá la circulación interna de aire.

ABRA la ventilación para descargar el aire viciado.



CERRADA VENTILACIÓN ABIERTA



NOTA : Antes de usar la función de ventilación, coloque la palanca de ventilación tirando hacia fuera de la Parte (A) y presionándola en su lugar (B)

## Ajustar la dirección del flujo de aire

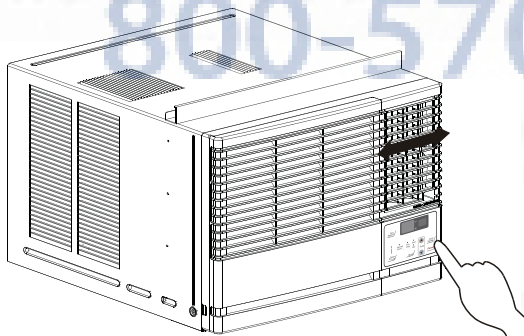
El flujo de aire puede ser ajustado cambiando la dirección de las rejillas de ventilación del acondicionador de aire.

- Ajustar la dirección del flujo de aire horizontal.

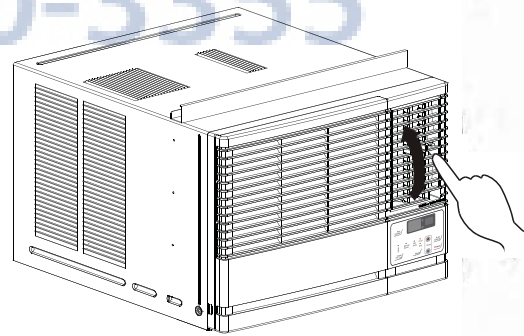
Ajustar las rejillas verticales hacia la izquierda y derecha cambiará el flujo horizontal.

- Ajustar la dirección del flujo de aire vertical

Ajuste la persiana horizontal hacia arriba y hacia abajo para cambiar el flujo de aire vertical. La persiana se puede ajustar presionando la parte superior o inferior de la persiana horizontal.



Ajustar el flujo de aire horizontal



Ajustar el flujo de aire vertical

# Cuidado y mantenimiento

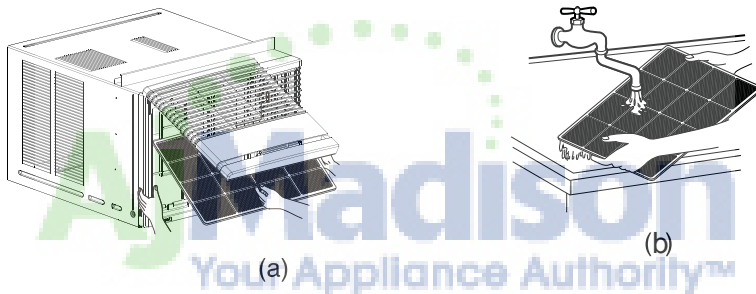
Desconecte la energía y desenchufe la unidad antes de limpiar el acondicionador de aire.

## Filtro de Aire a

El filtro de aire detrás de la parrilla de entrada debe ser controlado y limpiado por lo menos una vez cada dos semanas (o cuando sea necesario) para mantener el rendimiento óptimo del acondicionador de aire.

### Como quitar el filtro de aire

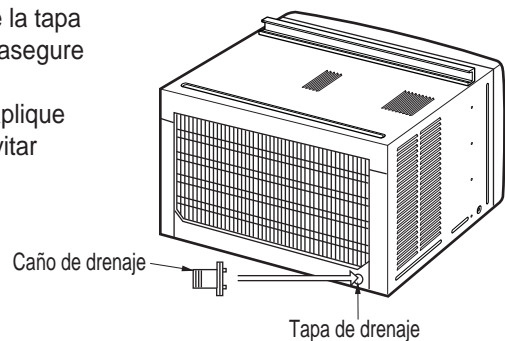
1. Abra la rejilla hacia arriba tirando la parte inferior de la rejilla de entrada (a). En otro caso, usted
2. Retire el filtro de aire del ensamblaje de la parrilla delantera jalando el filtro de aire ligeramente hacia arriba.
3. Lave el filtro de aire usando agua tibia a menos de 104 °F (40°C)
4. Sacuda suavemente el exceso de agua del filtro completamente. Vuelva a colocar el filtro.



## Drenaje

La bandeja de base puede inundarse debido a un exceso de humedad. Para drenar el exceso de agua, quite la tapa de drenaje desde la parte posterior de la unidad y asegure el caño de drenaje.

Cuando presione el caño de drenaje en su lugar, aplique fuerza en la dirección opuesta a las aletas, para evitar lesionarse.a



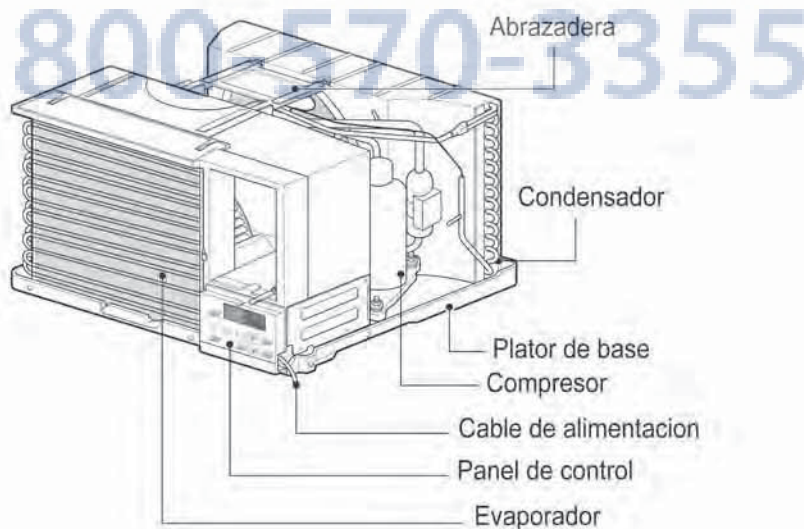
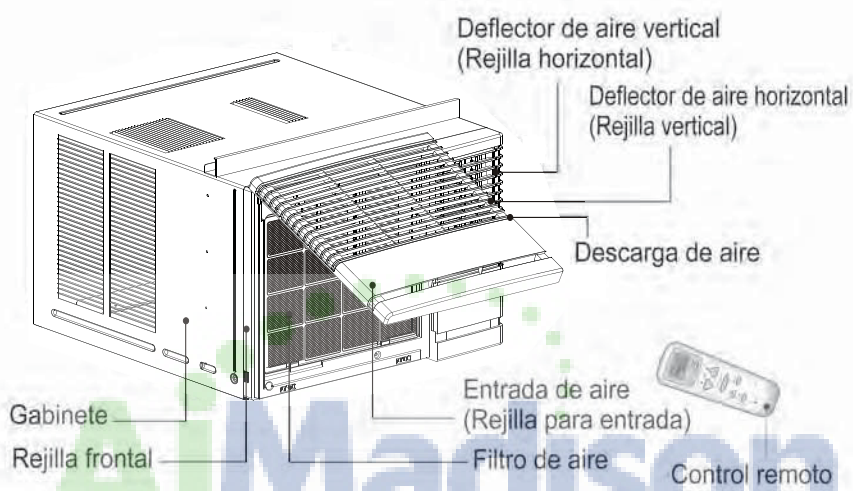
# Instalación de la unidad

## Funciones del producto



### PRECAUCIÓN

Este dispositivo debe ser instalado de acuerdo con las normas nacionales de cableado. Esta guía actúa como ayuda para explicar las funciones del producto.



ESPAÑOL

# Instrucciones para la instalación

---

*Lea estas instrucciones completa y cuidadosamente*

## Herramientas que Necesitará

---

- |   |   |
|---|---|
| <input type="checkbox"/> Destornillador de estrella | <input type="checkbox"/> Tijeras o cuchillo |
| <input type="checkbox"/> Destornillador plano       | <input type="checkbox"/> Lápiz              |
| <input type="checkbox"/> Regla o Medidor de cinta   | <input type="checkbox"/> Nivel              |
|   | <input type="checkbox"/> Martillo           |

## Antes de comenzar

---

**NOTA PARA QUIEN INSTALA :** Deje estas instrucciones con el aire acondicionado después de que la instalación se complete.

**NOTA PARA EL USUARIO :** Mantenga este Manual de Instalación y de Operación para usos futuros.

### **Notas Importantes :**

Es recomendado que sea colocado un traje apropiado durante la instalación

Para la seguridad personal, este aire acondicionado debe ser conectado a la masa de forma apropiada.

Es importante tener la toma de la pared y el circuito revisado por un eléctrico calificado si existe duda alguna de si hay o no conexión apropiada a la masa.

### **PRECAUCIÓN :**

Bajo ninguna circunstancia, corte o remueva la tercera punta (masa) del cable eléctrico.

No cambie el enchufe en el cable eléctrico de este aire acondicionado

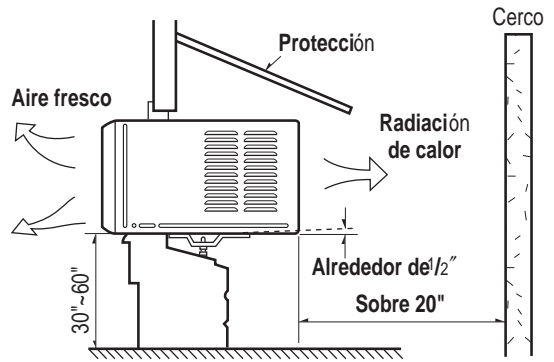
El alambrado de alojamiento en aluminio puede presentar problemas especiales – consulte a un eléctrico calificado.



## Cómo instalar la unidad

1. Para prevenir la vibración y el ruido, asegúrese que la unidad esté instalada con seguridad y firmeza.
2. Si se puede, instale la unidad en un lugar alejado de la luz solar directa.
3. La parte exterior del gabinete debe extenderse hacia afuera por lo menos a 12" sin obstáculos, como por ejemplo un cerco o una pared, dentro de los 20" desde la parte posterior del gabinete porque evita la radiación de calor del condensador.

La restricción del aire exterior reduce en gran parte la eficiencia de enfriar del acondicionador de aire.



Atención: Todas las partes de la persiana de la cabina deben quedar expuestas y sin obstrucciones por la parte exterior de la estructura.

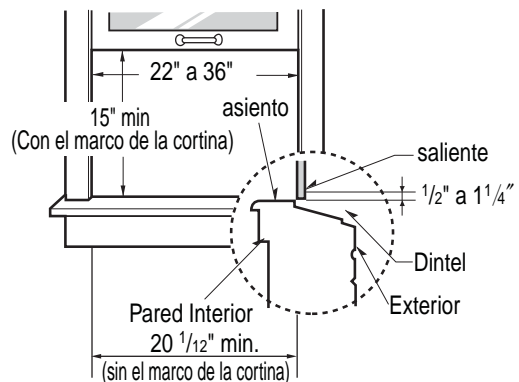
4. Instale la unidad un poco inclinada hacia atrás para que la parte trasera esté un poco más baja que la delantera. Así el condensador fluirá hacia fuera.
5. Instale la unidad con el fondo aproximadamente 30"-60" por encima del nivel del piso.

800-570-3355

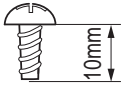
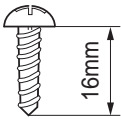
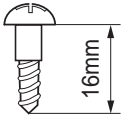
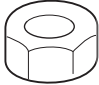
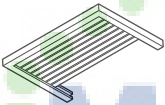
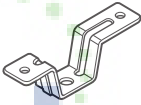
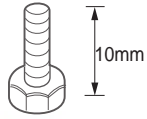
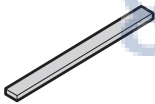
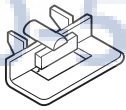

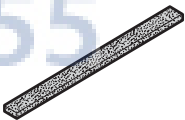
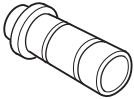
## Requisitos de la ventana

NOTA: Todas las piezas de soporte deben estar aseguradas con madera fuerte, mampostería, o metal.

- Esta unidad está diseñada para ser instalada en ventanas dobles basculantes estándar con amplitud de apertura real desde 22" a 36".
- Las hojas inferiores y superiores de la ventana deben abrirse lo suficiente para permitir una luz vertical de 15" desde la parte inferior de la hoja superior hasta el asiento de la ventana.



## Contenidos de los conjuntos de instalación

Tipo A:13 EA (TORNILLO) ①  	Tipo B:3 EA (TORNILLO) ②  	Tipo C:5 EA (TORNILLO) ③  	
Tipo D:2 EA (TUERCA) ④  	Tipo E:2 EA (PANEL GUÍA) ⑤  	Tipo F:2 EA (SOPORTE DE ALFÉIZAR) ⑥  	Tipo G:2 EA (TORNILLO) ⑦  
Tipo H:1 EA (TIRA DE GOMA) ⑧  	Tipo K:2 EA (GUÍA MARCO) ⑨  	Tipo L:1 EA (CHAPA DE SOPORTE PARA LA VENTANA) ⑩  	Tipo M:1 EA (BANDA ADHESIVA) ⑪  
Tipo N:1 EA ⑫ (TAPA DEL DESAGÜE)  			

Para la instalación debería tener a disposición los instrumentos siguientes:

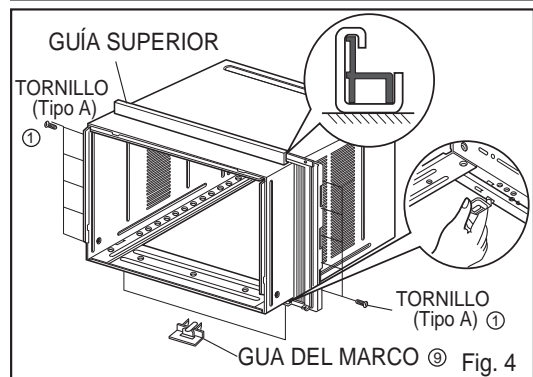
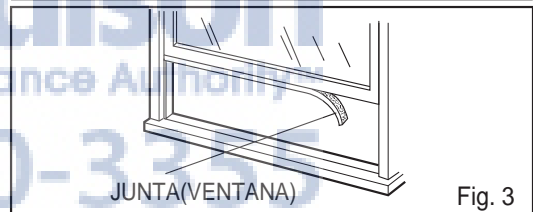
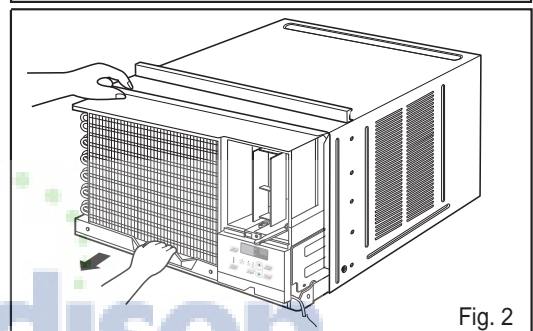
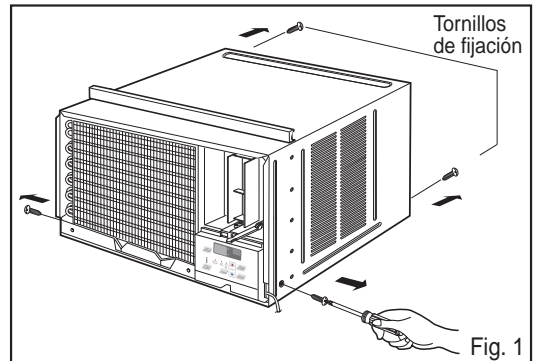
- \* Destornillador (Estrella y Phillips)
- \* Regla
- \* Cucjillo
- \* Martillo
- \* Lápiz Nivel

# Requisitos sugeridos de las ventanas

DESTORNILLADOR(+, -), REGLA, CUCHILLO, MARTILLO, LÁPIZ, NIVEL

## PREPARACIÓN DEL CHASIS

1. Quite los tornillos que unen el gabinete a ambos lados y a la parte posterior. FIG.1
2. Deslice la unidad desde el gabinete asiendo la manija de la base de la bandeja base mientras con la otra mano sostiene el gabinete. FIG.2
3. Corte el sellode chasis de la ventana a la longitud apropiada. Pele el resfuerzo y aplique la Cinta de Espuma a la parte inferior del chasis de la ventana. FIG.3
4. Introduzca las guías de los marcos ① en la parte inferior de la carcasa con la parte delantera de la guía del marco enfocado hacia la parte delantera de la carcasa. FIG.4
5. Inserte el marco de la cortina en la guía superior las guías del marco FIG.4
6. Fije las cortinas a la unidad con 4 tornillos tipo A FIG.4



ESPAÑOL

## Instalación del gabinete

1. Abra la ventana. Marque una línea en el centro del asiento de la ventana. Coloque cuidadosamente el gabinete sobre el asiento de la ventana alinee la marca central de la parte inferior frontal con la línea marcada en el centro del asiento de la ventana. Fig. 1

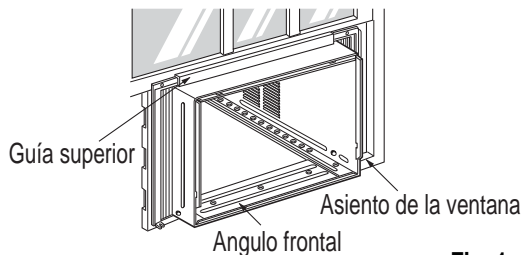


Fig. 1

2. Tire la hoja inferior de la ventana detrás de la guía superior hasta que se encuentren. Fig. 2

**NOTA:** No tire hacia abajo la hoja de la ventana de un modo que impida el movimiento del marco de la cortina. ⑤

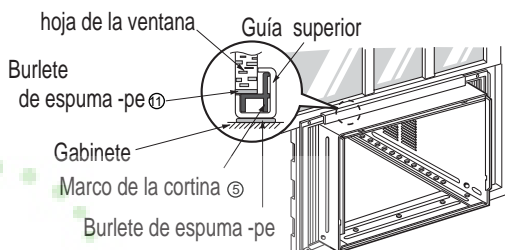


Fig. 2

3. Arme de modo flojo el soporte del dintel ⑥ usando las partes que se muestran en Fig. 3.

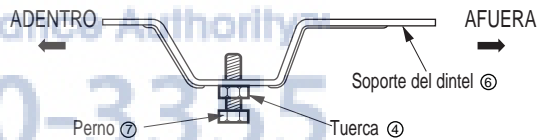


Fig. 3

4. Seleccione la posición en la que colocará el soporte del dintel ⑥ cerca del punto más externo del dintel. Fig. 4

**NOTA:** Tenga cuidado cuando instala el gabinete (las guías de marcos ③ se rompen fácilmente).

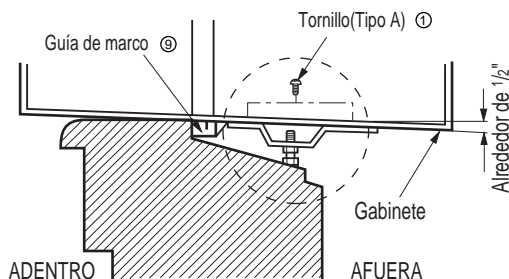


Fig. 4

5. Agregue el soporte del dintel al hueco de la guía del gabinete según la posición seleccionada usando 2 tornillos tipo A ① en cada soporte Fig. 4

6. El gabinete debe ser instalado con una ligera inclinación (aproximadamente 1/2") de modo que el lado externo quede hacia abajo (ver Fig. 5) Ajuste el perno y la tuerca del soporte al dintel ⑥ para equilibrar el gabinete.

7. Agregue el gabinete al asiento de la ventana colocando los tornillos ② (Tipo B : Largo 16mm 5/8 - pulgadas - abajo.) a través del ángulo frontal en el asiento de la ventana.

8. Tire cada marco de la cortina ⑤ completamente para cada carril de hoja de ventana y repita el paso 2.

9. Agregue cada marco de la cortina ⑤ de la hoja de la ventana usando tornillos ③ (Tipo C)

**PRECAUCIÓN:** No perforo en la bandeja inferior.  
La unidad está diseñada para operar con aproximadamente 1/2" de agua en la bandeja inferior.  
No hay necesidad de agregar agua a la bandeja si la bandeja está seca.

10. Deslice la unidad dentro del gabinete. (ver Fig. 7)

**PRECAUCIÓN:** Para mantener su seguridad, vuelva a instalar el 2 (tipo A) en el lateral de la cabina que quitó en el paso 1 de la página 12.

11. Corte el burlete de espuma en el largo adecuado e insértelo entre la hoja superior de la ventana y en la hoja inferior de la misma. (ver Fig. 8)

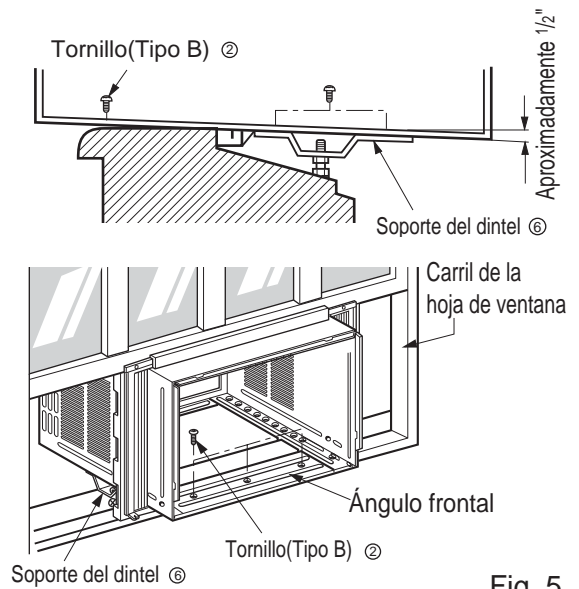


Fig. 5

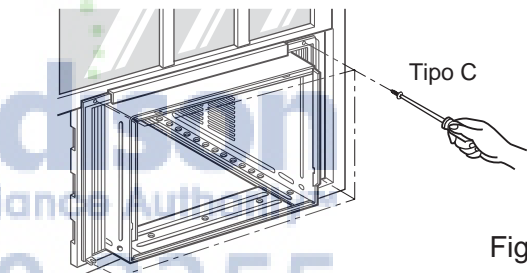


Fig. 6

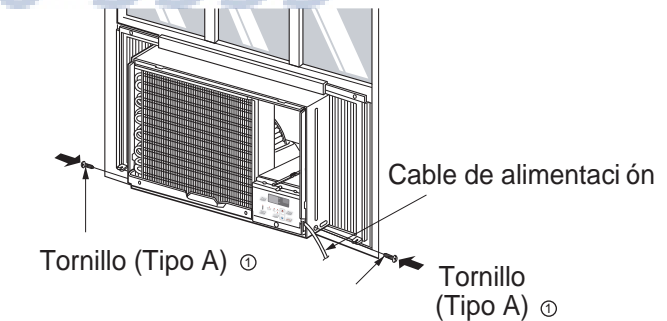


Fig. 7

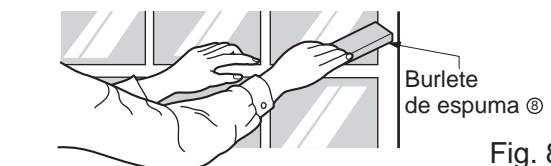


Fig. 8

12. Agregue la abrazadera de fijación ⑩ con un tornillo Tipo C ③ (ver Fig. 9)

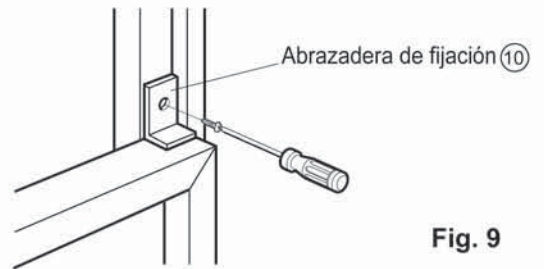


Fig. 9

13. Agregue la parrilla frontal al gabinete insertando las pestañas en la parrilla dentro de las pestañas del frente del gabinete. Empuje la parrilla hasta que se fije en el lugar. (ver Fig.10)

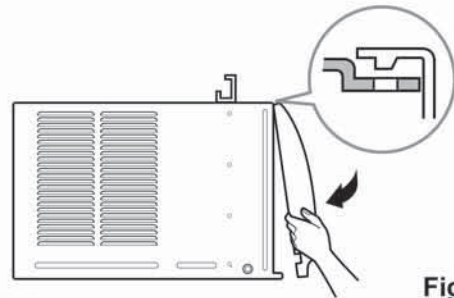


Fig. 10

14. Tire hacia abajo la parrilla de entrada y asegúrela con un tornillo Tipo A ① a través de la parrilla frontal. (ver Fig. 11)
15. La instalación del acondicionador de aire de ventana para habitación está ahora completada. Ver en DATOS DE ELECTRICIDAD para unir el cable de alimentación a la salida eléctrica.

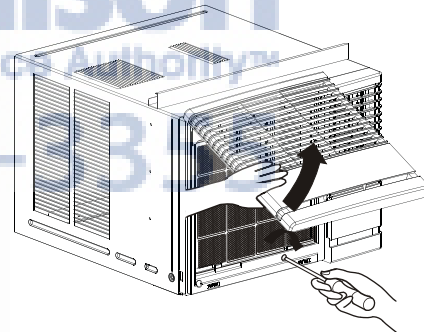


Fig.11

## Instrucciones de instalación a través de la pared—opcional

La caja podría instalarse a través de la pared en construcciones existentes o nuevas.

Lea completamente, luego siga paso por paso.

**NOTA:** Obtenga todos los materiales en tiendas para montar el acondicionador de aire a través de la pared.

### 1 IMPORTANTE

La instalación a través de la pared no es apropiada si alguna de las persianas laterales o superiores está obstruida por la pared.

Todas las persianas laterales y superiores en la caja deben proyectarse hacia el lado exterior de la pared.

El lado de la habitación de la caja debe proyectarse hacia el interior de la habitación con la distancia suficiente como para maximizar el equilibrio de la unidad.

La caja debe instalarse a nivel, de lado a lado, y con una ligera inclinación desde el frente hacia la parte posterior. Use un nivel; la inclinación correcta será una inclinación no superior a 1/2 burbuja.

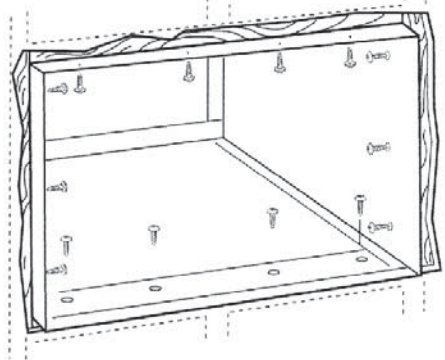
Es necesaria una escuadra de lintel para dar soporte a los ladrillos o bloques que se encuentran por encima de la abertura.

Se necesitan tapajuntas que deben extenderse a lo largo de la abertura para asegurarse de que no se produzcan fugas dentro de la cavidad.

**A** Retire el acondicionador de aire de la caja. Para instrucciones específicas, refiérase a las Instrucciones para la instalación en una ventana.

**B** Cerciórese de que existe un tomacorriente disponible cerca del orificio o haga arreglos para que se instale uno.

### 1 IMPORTANTE (cont.)



**C** Coloque la caja en la abertura de la pared y coloque las bandas de soporte de madera entre la parte inferior de la caja y los tapajuntas de ambos lados del riel inferior. Deben ser de la misma altura que el riel inferior y de la misma longitud que la abertura de la pared.

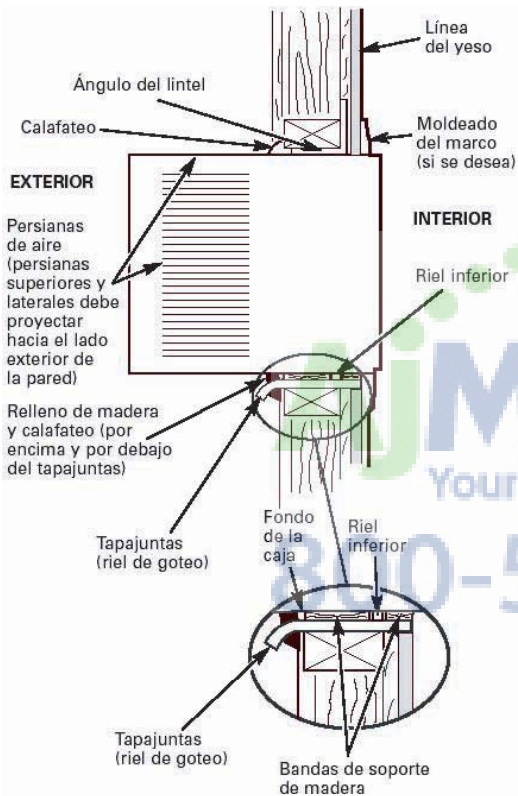
**D** Asegure con 14 tornillos para madera fijados al menos una pulgada hacia el interior de la estructura de soporte de la pared.

**NOTA:** Taladre los agujeros piloto, si es necesario, para una instalación apropiada. Si el marco es demasiado grande, use cuñas para evitar la distorsión de la caja.

# Instrucciones de instalación a través de la pared—opcional

## 2 TERMINE LA ABERTURA EN LA PARED

- A** Calafatee los cuatro lados del lado exterior de la caja para evitar que la humedad penetre a través de la abertura en la pared. El uso de tapajuntas (riel de goteo) evitará aún más que el agua gotee hacia el interior de la pared y hacia el exterior de la construcción.



- B** Coloque el acondicionador de aire hacia el interior de la caja. Para instrucciones específicas refiérase a las Instrucciones para la instalación en una ventana.



# Problemas y soluciones habituales

Antes de llamar al servicio, tenga a bien revisar la siguiente lista de problemas y sus soluciones.

## El acondicionador de aire está funcionando normalmente cuando:

- Escucha un sonido metálico. Lo causa el agua que recoge el condensador en días lluviosos o en condiciones de mucha humedad. Esta característica está diseñada para ayudar a quitar la humedad en el aire y mejorar la capacidad de enfriamiento.
- Oye un clic en el termostato. Lo causa el ciclo del compresor que comienza y se detiene.
- Ve gotear agua de la parte posterior de la unidad. El agua puede ser recogida en la bandeja de base en condiciones de mucha humedad o días de lluvia. Esta agua desborda y gotea desde la parte posterior de la unidad.
- Oye funcionar el ventilador mientras el compresor está silencioso. Esto es una característica operativa normal.

## El acondicionador de aire puede estar funcionando anormalmente cuando:

Problema	Causas posibles	Qu hacer
<b>El acondicionador de aire no funciona para nada</b>	■ El acondicionador de aire está desenchufado o no bien enchufado	• Asegúrese que el enchufe está completamente enchufado dentro del tomacorriente
	■ El fusible está fundido / el disyuntor está interrumpido	• Compruebe el fusible /la caja del disyuntor y reemplace el fusible o vuelva el disyuntor a su lugar.
	■ Corte de corriente	• En el caso de un corte de corriente, coloque el control de encendido en OFF. Cuando se haya restaurado la corriente, espere durante 3 minutos para volver a hacer funcionar el acondicionador de aire para prevenir la sobrecarga del compresor.
	■ El dispositivo interruptor de corriente está desconectado.	• Presione el botón RESET situado en el enchufe del cable de alimentación. Si el botón RESET no permanece activo, suspenda el uso del aire acondicionado y póngase en contacto con un técnico de servicio cualificado.
<b>El acondicionador de aire no enfría</b>	■ El flujo de aire está disminuido	• Asegúrese que no haya cortinas, persianas, muebles u otros obstáculos frente al acondicionador de aire
	■ El THERMOSTATO puede no estar colocado en el fresco suficiente	• Gire la perilla a una posición más alta. Mientras más alto esté mayor será el frío proporcionado.
	■ El filtro de aire está sucio.	• Limpie el filtro al menos una vez cada dos semanas. Refiérase a la sección "Cuidado y mantenimiento" (p.9) del manual.
	■ El acondicionador de aire se acaba de encender.	• Después que se enciende el acondicionador de aire, debe darle un tiempo al acondicionador de aire para enfriar la habitación.
	■ El aire frío se escapa.	• Busque alguna hornalla de resistencia encendida y el aire frío vuelve. • CIERRE la ventilación del acondicionador de aire
	■ Los serpentines de enfriamiento están congelados	• Vea <b>Aparece hielo sobre el acondicionador de aire</b> abajo
<b>Aparece hielo sobre el acondicionador de aire</b>	■ Los serpentines de enfriamiento están cubiertos de hielo.	• El hielo puede bloquear la corriente de aire e impedir que el acondicionador de aire enfríe correctamente la habitación. Coloque la velocidad del ventilador en MED o ALTA (HIGH) mientras coloca el termostato en 1 o 2 hasta que el hielo se funda.

ESPAÑOL



**F R I E D R I C H**

**Friedrich Air Conditioning Company**

10001 Reunion Place, Suite 500

San Antonio, Tx 78216

800.541.6645

www.friedrich.com

## **AIRE ACONDICIONADO DE HABITACIÓN**

### **GARANTÍA LIMITADA**

#### **EL PRIMER AÑO**

**CUALQUIER PIEZA:** Si cualquier pieza suministrada por FRIEDRICH falla debido a un defecto de fabricación o de material dentro de los doce meses a partir de la fecha original de compra, FRIEDRICH reparará el producto sin costo adicional, siempre cuando el aire acondicionado de la habitación esté accesible para servicio. El propietario será responsable de cualquier costo adicional de mano de obra para desinstalar unidades inaccesibles y/o cargos relacionados con los viajes de una agencia de servicio que excede de 25 millas. Esta garantía sólo será válida 12 meses después de la fecha de compra original.

#### **SEGUNDO A QUINTO AÑO**

**SISTEMA DE ENFRIAMIENTO:** Si el sistema de enfriamiento (para este propósito se define como el compresor, serpentín de evaporador y del condensador, válvula de retorno, válvula de retención, capilar, filtro, secador, todas las tuberías de interconexión) suministrados por FRIEDRICH fallan debido a un defecto de fabricación o de material dentro de los sesenta meses a partir de la fecha original de compra, FRIEDRICH pagará un subsidio de mano de obra y las partes necesarias para reparar el sistema de enfriamiento, asumiendo que FRIEDRICH no pagará el costo del diagnóstico del problema, desinstalación, los gastos de flete y transporte del aire acondicionado a la Agencia de Servicio, y los cargos asociados con la reparación y la reinstalación del sistema de refrigerante sellado. Todos los gastos se harán de la exclusiva responsabilidad del propietario. Esta garantía sólo será válida 60 meses después de la fecha de compra original.

**APLICABILIDAD Y LIMITACIONES:** Esta garantía sólo es aplicable a las unidades dentro de los cincuenta estados de los EE.UU., Distrito de Columbia y Canadá.

Esta garantía no se aplica a:

1. Filtros de aire o fusibles.
2. Productos en los que los números de modelo y de serie han quitado.
3. Los productos que tienen defectos o daños que son debidos a una mala instalación, cableado, corriente eléctrica, o mantenimiento; accidente, abuso, negligencia, mal uso, incendios, inundaciones, alteraciones, unidades instaladas en una atmósfera corrosiva, retraso en funcionamiento debidos a la guerra, restricciones del gobierno, huelgas, provocados por la escasez de materiales fuera del control de FRIEDRICH, o actos de Dios

**OBTENIENDO RESULTADOS DE LA GARANTIA:** El servicio será suministrado por el distribuidor autorizado de servicio o la Organización de Servicio de FRIEDRICH en su área. Se podrán encontrar en las Páginas Amarillas. Si se requiere asistencia con la garantía.

**LIMITACIONES:** ESTA GARANTÍA SE DA EN LUGAR DE CUALQUIER OTRA GARANTÍA. Cualquier objeto incluido en esta garantía, CUALQUIER GARANTÍA IMPLÍCITA PARA UN PROPÓSITO EN PARTICULAR Y/O MERCANTIL SERA LIMITADA POR LA DURACION DE ESTA GARANTIA. EL FABRICANTE DECLARA EXPLICITAMENTE Y SE DESLINDA DE CUALQUIER RESPONSABILIDAD POR DAÑOS CONSECUENTES O INCIDENTALES POR INCUMPLIMIENTOS EN ACUERDOS DE CUALQUIER GARANTIA EXPLICITA O IMPLICITA.

La ejecución de la obligación de la garantía de Friedrich está limitada a cualquiera de los siguientes métodos:

1. Reparación de la unidad.
2. Reembolso al cliente por el valor prorrateado de la unidad basado en el período remanente de la garantía de la unidad.
3. Proveyendo el reemplazo de una unidad de igual valor.

El método de cumplimiento de la obligación de la garantía de Friedrich es a la sola discreción de Friedrich Air Conditioning.

**AVISO:** Algunos estados no permiten limitaciones en la duración de una garantía, o no permiten la limitación o exclusión de consecuencias o daños indirectos o incidentales; por lo que las exclusiones y las limitaciones anteriores no se aplicaran a usted.

**OTROS:** Esta garantía le da derechos legales específicos para que reciba servicios relacionados con la garantía.

**COMPROBANTE DE COMPRA:** El propietario debe entregar el comprobante de compra para poder recibir servicios de garantía.

Todas las llamadas de servicio para explicar el funcionamiento de este producto, será responsabilidad del consumidor.

La agencia de servicio autorizado de FRIEDRICH debe de dar servicio de garantía, o FRIEDRICH debe dar autorización antes que se haga la reparación.



**F R I E D R I C H**

**FRIEDRICH AIR CONDITIONING CO.**  
Visit our web site at [www.friedrich.com](http://www.friedrich.com)

10001 Reunion Place, Suite 500 • San Antonio, TX 78216  
(800)541-6645



P/NO.: MFL67375401

**920-200-00 (10/10)**