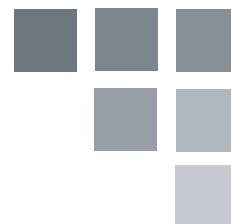




- Owner's Use and Care Guide
- Guide d'utilisation et soin de Propriétaire

**COMPACT REFRIGERATOR  
RÉFRIGÉRATEUR COMPACT**

**Model • Modèle DCR033A1WDB  
DCR033A1BDB**



# Contents

## COMPACT REFRIGERATOR

### Owner's Use and Care Guide ..... 2-8

- Safety Instructions
- Installation Instructions
- Features
- Operating Instructions
- Care and Maintenance
- Troubleshooting
- Warranty

## RÉFRIGÉRATEUR COMPACT

### Guide d'utiliser et soin de propriétaire ..... 9-15

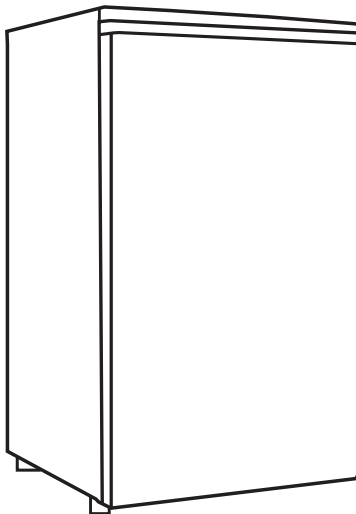
- Consignes de sécurité
- Consignes de Installation
- Caractéristiques
- Opération
- Soins et entretien
- Dépannage
- Garantie

## CAUTION

Read and follow all safety rules and operating instructions before first use of this product.

## PRECAUTION

Veillez lire attentivement les consignes de sécurité et les instructions d'utilisation avant l'utilisation initiale de ce produit.



Model • Modèle DCR033A1WDB  
DCR033A1BDB

# Welcome

Thank you for choosing a Danby appliance.

This Owner's Use and Care Guide will provide you with valuable information necessary for the proper care and maintenance of your new appliance. If properly maintained, your Danby appliance will give you many years of trouble free operation. Please take a few moments to read the instructions thoroughly and familiarize yourself with all of the operational aspects of this appliance.

For easy reference, may we suggest you attach a copy of your sales slip/receipt to this page, along with the following information.

<b>Model Number:</b>	_____
<b>Serial Number:</b>	_____
<b>Date of Purchase:</b>	_____

This information will be necessary if your unit requires servicing and/or for general inquiries. To contact a Customer Service Representative, call Danby **TOLL FREE: 1-800-263-2629**



# Important Safety Information

## READ AND FOLLOW ALL SAFETY INSTRUCTIONS

When using your refrigerator, follow the precautions listed below:

### ELECTRICAL REQUIREMENTS

#### WARNING

Improper use of the grounding plug can result in a risk of electric shock. Consult a qualified electrician or serviceman if the grounding instructions are not completely understood, or if doubt exists as to whether the appliance is properly grounded.

This appliance must be grounded. In the event of an electrical short circuit, grounding reduces the risk of electrical shock by providing an escape wire for the electrical current.

This appliance is equipped with a cord having a grounding wire with a grounding plug. The plug must be plugged into an outlet that is properly installed and grounded.

#### **DO NOT USE AN EXTENSION CORD**

Use an exclusive wall outlet. Do not connect your refrigerator to extension cords or together with any other appliance in the same wall outlet. Do not splice the cord.

**IMPORTANT WARNING:** An empty freezer/refrigerator is a very dangerous attraction to children. Remove either the gasket, latches, lids or doors from unused appliances, or take some other action that will guarantee it harmless.

**DANGER: Risk of Child Entrapment!** Before you throw away your old refrigerator/freezer:

- Take off the doors.
- Leave the shelves in place so that children may not easily climb inside.

**DON'T WAIT! DO IT NOW!**

### CAUTIONS

- Storing too much food or opening the door too frequently will cause the refrigerator to use more electrical consumption which can lead to a malfunction.
- **Do not** place objects on the work top that are heavy, sharp or corrosive.
- Anytime the power is disconnected from the unit wait 5-10 minutes before plugging back in.
- **Do not** store bottled drinks in the freezer, in order to keep the bottle from breaking and damaging the refrigerator.
- Open the door as little as possible during power failures.
- When defrosting, never use any sharp or metallic objects to remove the frost on the surface of the evaporator as it will damage the evaporator.
- **Do not** touch foods and containers in the freezer compartment with wet hands.

### FOR HOUSEHOLD REFRIGERATING APPLIANCES

- Try not to open the door too often, especially when the weather is wet and hot. Once you open the door close it as soon as possible.
- Every now and then check if the appliance is sufficiently ventilated (adequate air circulation behind the appliance).
- For household refrigerating appliances the recommended setting for the thermostat is the medium setting.
- Before loading the appliance with packages of fresh foods, make sure they are cooled to ambient temperature.
- Ice and frost layers increase energy consumption, so defrost the appliance as soon as the layer is 3-4 mm thick.
- If it is the outer condenser, the rear wall should be always clean free of dust or any impurities.

## SAVE THESE INSTRUCTIONS



# Installation Instructions

## LOCATION

Remove exterior and interior packaging, wipe the outside thoroughly with a soft dry cloth and the inside with a wet, lukewarm cloth. Avoid placing the unit in a narrow recess or near any heat source, direct sunlight, or moisture. Let air circulate freely around the unit. Keep the rear of the refrigerator 5 inches away from the wall.

Do not tilt the refrigerator more than 45° from the upright position during movement.

- 1) Select a place with a level floor.
- 2) Allow 5 inches of space between the back of the refrigerator and any adjacent wall.
- 3) Avoid direct sunlight and heat. Direct sunlight may affect the acrylic coating. Heat sources nearby will cause higher electricity consumption.
- 4) Avoid damp places. Too much moisture in the air will cause frost to form very quickly on the evaporator and your refrigerator will have to be defrosted more frequently.

## DOOR REVERSAL INSTRUCTIONS

### CAUTION

To avoid personal injury to yourself and/or property, we recommend someone assist you during the door reversal process.

- Ensure the appliance is unplugged and empty.
- Adjust the 2 leveling feet to their highest position.

#### Tools Required

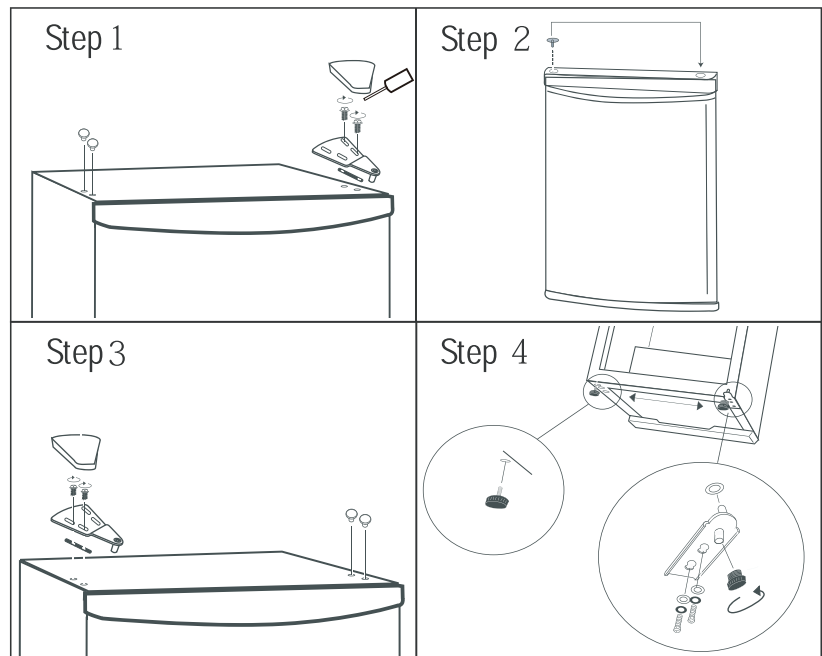
Cross-bladed screw driver - Phillips head

#### \*NOTE:

- To take the door off it is necessary to tilt the appliance backward.
- You should rest the appliance on something solid e.g a chair just below the top panel.

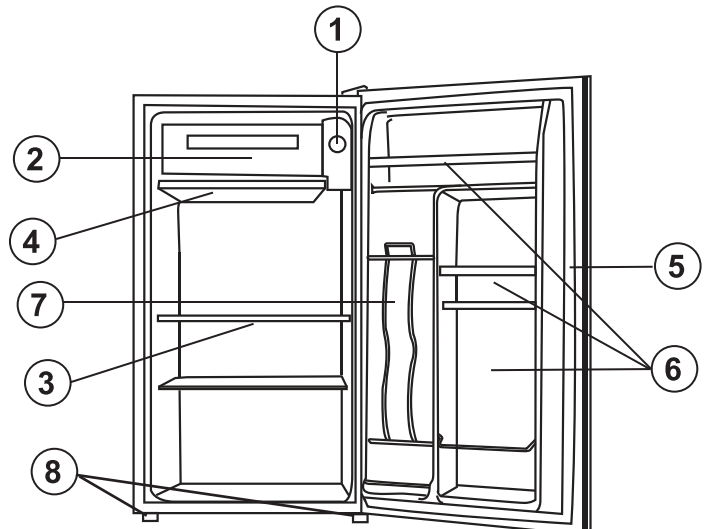
**DO NOT** lay the appliance completely flat as this may damage the coolant system.

If you find the direction of opening the door on your appliance inconvenient, you can change it by following the diagram below.



## Features

- 1) **THERMOSTAT DIAL:** For controlling the temperature inside the refrigerator; the compressor activates as soon as the temperature rises above the desired level.
- 2) **FREEZER COMPARTMENT WITH FREEZER DOOR:** Separate freezer section can hold small items.
- 3) **WIRE SHELF**
- 4) **DRIP TRAY:** Catches the water that drips off the evaporator when defrosting.
- 5) **MAGNETIC GASKET:** Tight fitting door seal keeps all the cooling power locked inside. No hooks or latches.
- 6) **BOTTLE RACKS:** For tall, small and medium cans or jars.
- 7) **CANSTOR Door Liner:** Holds 355mL cans of pop, juice, or beer.
- 8) **Leveling legs** - Adjust so the unit is leveled on the surface.





# Operating Instructions

## BEFORE USING

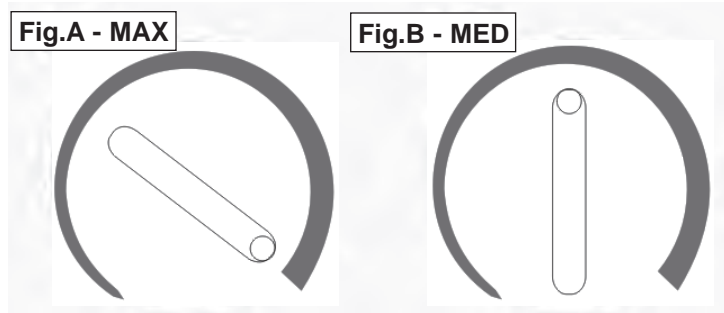
1. Before the refrigerator is plugged in check and make sure the electric voltage to be used is the same as the rated voltage. The power plug should have its own independent socket. Using an adapter may cause the socket to overheat.
2. **Do not** store flammable materials such as ether, benzine, LP gas and glue etc in the refrigerator.
3. **Do not** splash water on the refrigerator, it may cause a malfunction or electric shock.
4. When operating the refrigerator for the first time, run it without loading any food until it auto stops at the desired temperature, usually it takes 2 or 3 hours. Then set the thermostatic dial at the setting desired and put food in the refrigerator.

-----

To avoid vibration, the unit must be on a level surface. This is accomplished by adjusting the leveling legs located under the refrigerator. The temperature of the refrigerator is controlled by setting the thermostat knob to a desired setting.

## TEMPERATURE SELECTION

1. The temperature of the refrigerator can be adjusted by turning the thermostatic dial. A medium setting of the thermostatic dial is the most suitable for general operation. **(Fig.B)**



2. Defrost the freezer compartment whenever the layer of frost on the surface of the evaporator reaches 3 or 4 mm. When defrosting remove all food and set the thermostat to the "OFF" position. Put the drip tray under the evaporator to collect melted water. After the frost has melted, discard the melted water and dry the interior of refrigerator. The refrigerator can then be restarted by turning its thermostat to the desired setting.

### 3. Instruction for making and removing ice cubes.

Fill the ice cube tray with water below the graduated line, put it into the freezer compartment and then set the thermostat at "6" position. It takes about 2 or 3 hours to make ice cubes. Pieces of ice cube can be removed by twisting the ice making tray.

## FOOD STORAGE SUGGESTIONS

### Fresh Food Compartment

- Never cover food compartment shelves with aluminum foil or any other shelf covering material which may prevent air circulation.
- Always remove porous store wrapping paper from meats, poultry and fish. Meats should be wrapped individually and placed in a dish for storage. Wrap fish and poultry in foil or heavy waxed paper. Most fish should be used the same day of purchase. Packaged meats such as ham, bacon, dried beef, or frankfurter, store best in their original packages.
- Allow warm foods to cool to room temperature before placing them in the refrigerator.
- Always cover open dishes of food, especially leftovers. Use leftovers within 2 or 3 days.



# Care and Maintenance

## CLEANING

1. When cleaning the refrigerator pull out the electrical power plug, rub carefully with a piece of cloth soaked with a natural cleanser then wipe with clean water. The abrasive cleaning power, alkali cleansers, chemical cloth, paint thinner, alcohol, acid petroleum product and hot water are not suitable for cleaning the refrigerator, they may damage the paint and plastics of the unit.
2. The door gasket can get dirty so clean it frequently.

## POWER FAILURE

Most power failures are corrected within an hour or two and will not affect your refrigerator temperatures. However, you should minimize the number of door openings while the power is off. During power failures of longer duration, take steps to protect your food by placing dry ice on top of packages.

## IF YOU MOVE

Remove or securely fasten down all loose items inside the unit. To avoid damaging the leveling legs, turn them all the way into the base.

## VACATION TIME

For short vacation periods, leave the control knob at its normal setting. During longer absences:

- (a) remove all foods.
- (b) disconnect power cord from electrical outlet.
- (c) clean the refrigerator thoroughly, including drip tray (defrost pan), located on the bottom of the unit.
- (d) leave door open to avoid possible formations of condensate, mold or odors.

### **Some Important Rules for the Correct Use of the Refrigerator**

- Never place hot foods in the refrigerator.
- Never place spoiled foods in the unit.
- Don't overload the unit.
- Don't open the door unless necessary.
- Should the refrigerator be stored without use for long periods, it is suggested, after a careful cleaning, to leave the door ajar to allow the air to circulate inside the unit in order to avoid the possibility of condensation, mold or odors.



# Troubleshooting

Occasionally, a problem is minor and a service call may not be necessary- use this troubleshooting guide for a possible solution. If the unit continues to operate improperly, call an authorized service depot or **Danby's Toll Free Number 1-800-263-2629** for assistance.

## NORMAL OPERATION

- 1. **A flowing water sound:** A Flowing water sound will be heard under normal operation.
- 2. **Outside condensation:** Outside condensation is normal in high humid conditions. You may wipe the unit yourself.
- 3. **It takes some time for the temperature of the freezer and refrigerator compartments to become cold after the refrigerator starts operating:** If the temperature of the two compartments is high while the refrigerator is operating, it takes some time for the temperature of the two compartments to become cold. If the environmental temperature is high, it takes a long time to make the compartments cold.
- 4. **The surface of the compressor becomes hot:** The surface of the compressor may become hot under normal operation. **Do not touch it with your hands.**

PROBLEM	POSSIBLE CAUSE	POSSIBLE SOLUTION
1) <b>Does not work.</b>	<ul style="list-style-type: none"> <li>• No power to unit.</li> <li>• Power cord is unplugged.</li> <li>• Wrong voltage is being used.</li> </ul>	<ul style="list-style-type: none"> <li>• Check connection of power cord to power source.</li> <li>• Plug in unit.</li> <li>• Use proper voltage.</li> </ul>
2) <b>Refrigerator runs continuously.</b>	<ul style="list-style-type: none"> <li>• Temperature set too low.</li> <li>• Door is not closed.</li> <li>• Hot food inserted.</li> <li>• Door opened too long or too often.</li> <li>• Close proximity to heat source or direct sunlight.</li> </ul>	<ul style="list-style-type: none"> <li>• Lower temperature control.</li> <li>• Close door securely.</li> <li>• Be sure food is at room temperature before inserting.</li> <li>• Minimize door openings/ duration.</li> <li>• Do not place unit close to heat sources or direct sunlight.</li> </ul>
3) <b>Internal temperature not cold enough.</b>	<ul style="list-style-type: none"> <li>• No power to unit.</li> <li>• Power cord is unplugged.</li> <li>• Temperature set too high.</li> <li>• Door is not closed.</li> <li>• Hot food inserted.</li> <li>• Door opened too long or too often.</li> <li>• Air flow obstruction.</li> <li>• Wrong voltage is being used.</li> <li>• Close proximity to heat source or direct sunlight.</li> </ul>	<ul style="list-style-type: none"> <li>• Check connection of power cord to power source.</li> <li>• Plug in unit.</li> <li>• Check setting and increase as needed.</li> <li>• Close door securely.</li> <li>• Be sure that food is at room temperature.</li> <li>• Minimize door openings/ duration.</li> <li>• Allow room for air to circulate around unit.</li> <li>• Use proper voltage.</li> <li>• Do not place unit close to heat sources or direct sunlight.</li> </ul>





# LIMITED IN-HOME APPLIANCE WARRANTY

This quality product is warranted to be free from manufacturer's defects in material and workmanship, provided that the unit is used under the normal operating conditions intended by the manufacturer.

This warranty is available only to the person to whom the unit was originally sold by Danby Products Limited (Canada) or Danby Products Inc. (U.S.A.) (hereafter "Danby") or by an authorized distributor of Danby, and is non-transferable.

## TERMS OF WARRANTY

Plastic parts, are warranted for thirty (30) days only from purchase date, with no extensions provided.

*First Year* During the first twelve (12) months, any functional parts of this product found to be defective, will be repaired or replaced, at warrantor's option, at no charge to the ORIGINAL purchaser.

*To obtain Service* Danby reserves the right to limit the boundaries of "In Home Service" to the proximity of an Authorized Service Depot. Any appliance requiring service outside the limited boundaries of "In Home Service", it will be the consumer's responsibility to transport the appliance (at their own expense) to the original retailer (point of purchase) or a service depot for repair. See "Boundaries of In Home Service" below. Contact your dealer from whom your unit was purchased, or contact your nearest authorized Danby service depot, where service must be performed by a qualified service technician.

If service is performed on the units by anyone other than an authorized service depot, or the unit is used for commercial application, all obligations of Danby under this warranty shall be void.

*Boundaries of In Home Service* If the appliance is installed in a location that is 100 kilometers (62 miles) or more from the nearest service center your unit must be delivered to the nearest authorized Danby Service Depot, as service must only be performed by a technician qualified and certified for warranty service by Danby. Transportation charges to and from the service location are not protected by this warranty and are the responsibility of the purchaser.

Nothing within this warranty shall imply that Danby will be responsible or liable for any spoilage or damage to food or other contents of this appliance, whether due to any defect of the appliance, or its use, whether proper or improper.

## EXCLUSIONS

Save as herein provided, Danby, there are no other warranties, conditions, representations or guarantees, express or implied, made or intended by Danby or its authorized distributors and all other warranties, conditions, representations or guarantees, including any warranties, conditions, representations or guarantees under any Sale of Goods Act or like legislation or statute is hereby expressly excluded. Save as herein provided, Danby shall not be responsible for any damages to persons or property, including the unit itself, howsoever caused or any consequential damages arising from the malfunction of the unit and by the purchase of the unit, the purchaser does hereby agree to indemnify and hold harmless Danby from any claim for damages to persons or property caused by the unit.

## GENERAL PROVISIONS

No warranty or insurance herein contained or set out shall apply when damage or repair is caused by any of the following:

- 1) Power failure.
- 2) Damage in transit or when moving the appliance.
- 3) Improper power supply such as low voltage, defective house wiring or inadequate fuses.
- 4) Accident, alteration, abuse or misuse of the appliance such as inadequate air circulation in the room or abnormal operating conditions (extremely high or low room temperature).
- 5) Use for commercial or industrial purposes (ie. If the appliance is not installed in a domestic residence).
- 6) Fire, water damage, theft, war, riot, hostility, acts of God such as hurricanes, floods etc.
- 7) Service calls resulting in customer education.
- 8) Improper Installation (ie. Building-in of a free standing appliance or using an appliance outdoors that is not approved for outdoor application).

Proof of purchase date will be required for warranty claims; so, please retain bills of sale. In the event warranty service is required, present this document to our AUTHORIZED SERVICE DEPOT.

**Warranty Service**  
In-home

Danby Products Limited  
PO Box 1778, Guelph, Ontario, Canada N1H 6Z9  
Telephone: (519) 837-0920 FAX: (519) 837-0449

**1-800-263-2629**

Danby Products Inc.  
PO Box 669, Findlay, Ohio, U.S.A. 45840  
Telephone: (419) 425-8627 FAX: (419) 425-8629

# Bienvenue

Bienvenue dans la famille Danby. Nous sommes fiers de nos produits de qualité et croyons au bien fondé de fournir une assistance fiable à nos clients. Vous le découvrirez grâce à ce guide facile d'utilisation et vous pourrez l'entendre en provenance des voix amicales de notre service d'assistance à la clientèle.

Mais, ce qui est encore mieux, vous pourrez bénéficier de ces valeurs à chaque utilisation de votre appareil. Ceci est important parce que votre nouvel appareil fera partie de votre famille pour longtemps.

**S'il vous plaît noter les informations suivantes.**

<b>Numéro de Modèle:</b> _____
<b>Numéro de Serie:</b> _____
<b>Date d'achat:</b> _____

Si ces renseignements ne vous aident pas à résoudre le problème, consultez votre représentant de service autorisé ou appelez Danby au numéro SANS FRAIS: **TEL 1-800-263-2629**



# Consignes de sécurité

LISEZ ET RESPECTEZ TOUTES LES CONSIGNES RELATIVES À LA SÉCURITÉ

**POUR VOTRE SÉCURITÉ : Veuillez lire ces consignes attentivement avant de faire fonctionner l'appareil.**

## CONDITIONS ÉLECTRIQUES

### ⚠ AVERTISSEMENT

Consultez un électricien ou un technicien qualifié si vous ne comprenez pas bien les instructions de mise à la terre ou si vous avez un doute quelconque sur la bonne mise à la terre de l'appareil.

Cet appareil doit être mis à la terre. En cas de court-circuit, la mise à la terre réduit les risques de décharge électrique en fournissant un échappatoire au courant électrique.

L'appareil est muni d'un cordon électrique comprenant un fil de mise à la terre et une fiche de terre. Branchez la fiche dans une prise de courant correctement installée et mise à la terre.

**N'UTILISER JAMAIS DE FIL DE RALLONGE:** S'il est possible, brancher le réfrigérateur à son propre circuit. Ainsi, les autres appareils ou la surcharge des lampes du domicile ne peuvent pas surcharger et interrompre le courant électrique. Une connexion desserrée peut se doubler à un autre appareil dans la même prise murale.

**PRÉCAUTION IMPORTANTE:** Un réfrigérateur est une attraction dangereuse aux enfants. Enlever les joints étanches, les loquets, les couvercles ou les portes des appareils qui ne sont pas utilisés, ou faites de sorte que l'appareil ne présente aucun danger.

**DANGER:** Risque des enfants deviennent coincés dans l'appareil. Avant de jeter votre ancien réfrigérateur.

- Enlevez les portes.
- Laissez les étagères à ses places afin que des enfants ne puissent pas monter facilement dans l'appareil.

**N'ATTENDEZ PAS! FAITES-LE IMMÉDIATEMENT!**

## PRÉCAUTIONS

- Le fait de conserver trop d'aliments ou d'ouvrir la porte fréquemment peut faire en sorte que votre réfrigérateur consommera plus d'électricité, ce qui peut entraîner son mauvais fonctionnement.
- **Ne** placez aucun objet lourd, pointu ou corrosif sur le plateau supérieur.
- Toutes les fois où le réfrigérateur est débranché, attendez 5 à 10 minutes avant de le rebrancher.
- **N'**entrez aucune boisson embouteillée au congélateur, afin d'éviter que la bouteille se brise et qu'elle embouteille le réfrigérateur.
- **N'**ouvrez la porte que lorsque c'est nécessaire au cours d'une panne de courant.
- Lors du dégivrage, n'utilisez aucun objet pointu ou métallique pour retirer la glace présente à la surface de l'évaporateur car cela risque de l'endommager.
- **Ne** touchez ni aux aliments, ni aux contenants placés dans le compartiment congélateur avec les mains humides.
- Essayez de ne pas ouvrir la porte trop souvent, surtout par temps chaud et humide. Une fois la porte ouverte, fermez-la dès que possible.
- Vérifiez de temps à autre si l'appareil est suffisamment ventilé (si l'air circule bien derrière l'appareil).
- Pour les appareils électroménagers réfrigérants, il est recommandé de régler le thermostat au réglage moyen.
- Avant d'introduire des aliments frais emballés dans le réfrigérateur, assurez-vous qu'ils sont refroidis à la température ambiante.
- Les couches de glace et de givre font augmenter la consommation d'énergie; dégivrez l'appareil dès que la couche atteint 3 à 4 mm d'épaisseur.
- Concernant le condensateur extérieur, la paroi arrière doit toujours être débarrassée de la poussière ou de toute impureté.

## APPAREILS ÉLECTROMÉNAGERS RÉFRIGÉRANTS

## SAUVEGARDE CES INSTRUCTIONS



# Consignes de Installation

## EMPLACEMENT

Enlevez les emballages extérieurs et intérieurs. Essuyez complètement l'extérieur avec un linge doux sec et l'intérieur avec un linge humide tiède. Il ne faut jamais situer l'appareil dans un recoin étroit, proche d'une source d'air chaud. L'air doit circuler à l'entour de l'appareil. Eloigner le réfrigérateur au moins 5 pouces du mur.

**N'inclinez pas le réfrigérateur à un angle supérieur à 45° par rapport à la verticale lorsque vous le déplacez.**

- 1) Choisir une place qui a un plancher à niveau.
- 2) Éloigner l'appareil de 5 pouces des murs arrière et de côté.
- 3) Éviter les rayons de soleil et la chaleur directs qui peuvent affecter la surface en acrylique. Les sources de chaleur rapprochées augmentent la consommation d'énergie.
- 4) Éviter les endroits très humides. L'humidité élevée dans l'air occasionne la formation rapide de gèle sur l'évaporateur et le réfrigérateur. Le réfrigérateur devra être dégivré fréquemment.

## INSTRUCTIONS DE PORTE RÉVERSIBLE

### ATTENTION:

Pour éviter de se blesser ou endommager l'appareil, on vous recommande d'avoir quelqu'un vous aide pendant ce processus.

- Assurez-vous que l'appareil est débranché et vide.
- Ajustez les deux pattes de nivellement à leur position la plus élevée.

#### Outils nécessaires

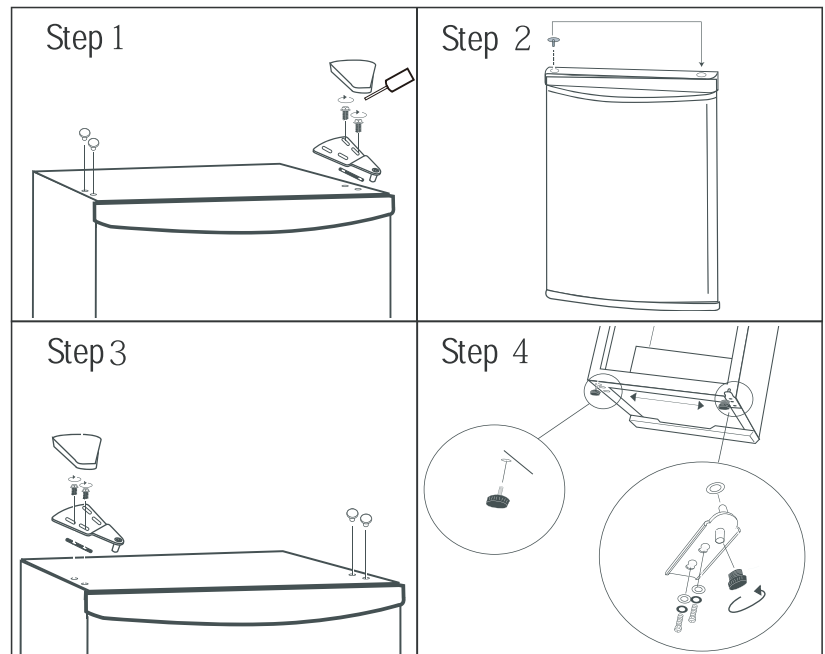
Tournevis à lame cruciforme

#### \* REMARQUE :

- Enlevez la porte au besoin pour incliner l'appareil vers l'arrière.
- Vous devriez faire reposer l'appareil sur un objet solide, par exemple en appuyant le panneau supérieur sur une chaise.

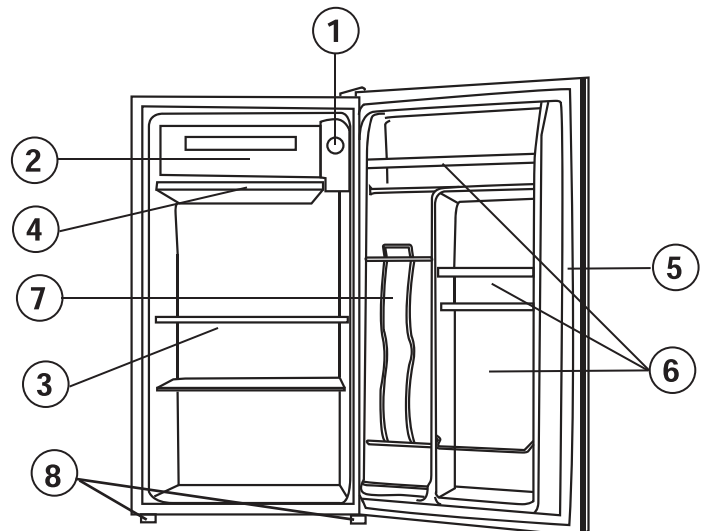
**NE PAS** déposer l'appareil complètement à plat car cela risquerait d'endommager le système de refroidissement.

Si vous trouvez que la direction de l'ouverture de la porte de votre réfrigérateur est inconvenue, elle peut être changée. Des trous qui se trouvent sur le côté opposé de la porte ont été percés à l'usine.



## Caractéristiques

- 1) **CADRAN DU THERMOSTAT:** Régle la température intérieure du réfrigérateur; le compresseur en marche dès que la température dépasse le niveau désiré.
- 2) **COMPARTIMENT CONGÉLATEUR MUNI D'UNE PORTE :** la section séparée du congélateur peut contenir des articles de petite dimension.
- 3) **CLAYETTE**
- 4) **PLATEAU DE DÉGIVRAGE :** récupère l'eau qui dégoutte de l'évaporateur pendant le dégivrage.
- 5) **JOINT ÉTANCHE MAGNÉTIQUE:** Le joint étanche empêche l'air frais de s'échapper.
- 6) **PORTE-BOUITEILLES:** Pour les bouteilles, boîtes métalliques et bocaux.
- 7) **Paroi de Porte CANSTOR™:** Range les boites de boisson gazeuse, jus ou bière de 355mL.
- 8) **Pieds de nivellement :** ajustez les pieds pour que l'appareil soit mis au niveau sur la surface.





# Opération

## AVANT L'UTILISATION

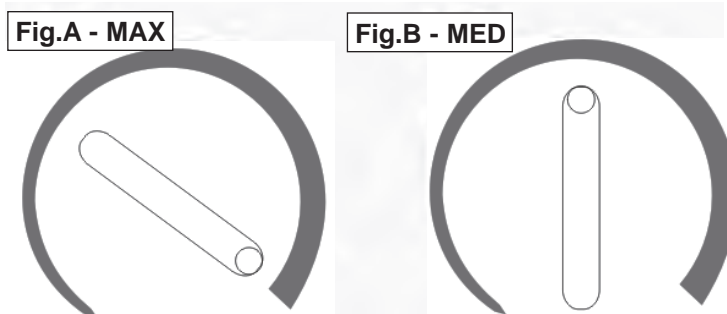
1. Avant de brancher le réfrigérateur, vérifiez et assurez-vous que la tension électrique à utiliser correspond à la tension nominale. La fiche d'alimentation devrait comporter sa propre douille indépendante. Le fait d'utiliser un adaptateur peut occasionner la surchauffe de la douille.
2. **Ne pas** entreposer de matières inflammables tels que de l'éther, du benzène, des gaz de pétrole liquéfiés et de la colle, etc. dans le réfrigérateur.
3. **Ne pas** asperger d'eau sur le réfrigérateur, cela pourrait causer un mauvais fonctionnement ou un choc électrique.
4. Lorsque l'appareil est branché pour la première fois, faites-le fonctionner alors qu'il ne contient aucun aliment, et ce, jusqu'à ce qu'il s'arrête automatiquement à la température désirée. Il faut habituellement compter 2 à 3 heures. Puis réglez le thermostat à commande rotative au réglage désiré et placez des aliments dans le réfrigérateur.

-----

Pour éviter la vibration, l'appareil doit être absolument horizontal. Les deux premiers pieds de nivellement au-dessous de réfrigérateur peuvent être ajustés. La température à l'intérieur du réfrigérateur est contrôlée en réglant le cadran du thermostat (au plafond de l'intérieur du caisson) à la température désirée.

## CHOIX DE LA TEMPÉRATURE

1. La température du réfrigérateur peut être ajustée en tournant le thermostat à commande rotative. Le réglage moyen du thermostat à commande rotative convient le mieux au fonctionnement général du réfrigérateur. (**Fig. B**)



2. Dégivrez le compartiment congélateur dès que la couche de givre sur la surface de l'évaporateur atteint 3 à 4 mm d'épaisseur. Lors du dégivrage, retirez tous les aliments et réglez le thermostat à la position « ARRÊT » (OFF). Mettez le plateau de dégivrage sous l'évaporateur pour récupérer l'eau qui s'écoule. Une fois le dégivrage terminé, débarrassez-vous de l'eau et séchez l'intérieur du réfrigérateur. Le réfrigérateur peut ensuite être remis en marche en tournant le thermostat au réglage désiré.

### 3. Instructions pour fabriquer des glaçons et les enlever.

Remplissez le bac à glaçons pour que l'eau atteigne la ligne pointillée, placez le bac dans le compartiment congélateur, puis réglez le thermostat à la position « 6 ». Les glaçons sont prêts 2 à 3 heures plus tard. On peut retirer les glaçons en appliquant un mouvement de torsion sur le bac à glaçons.

### Compartiments pour Aliments Frais

- Ne jamais recouvrir les clayettes du compartiment de papier d'aluminium ou autres matériaux car ceci peut empêcher la circulation d'air.
- Enlever toujours les emballages perméables du marchand qui recouvrent la viande, volaille et poisson. Les viandes doivent être emballées individuellement, et déposées dans un récipient pour le rangement. Emballer la volaille ou le poisson dans du papier aluminium ou du papier ciré épais. Faites cuire la plupart de sorte de poissons le jour de l'achat. Les viandes emballées par le marchand, telles que le jambon, le bacon, le boeuf sec, ou les saucisses fumées se rangent très bien dans leur emballage.
- Laisser refroidir les aliments à la température de la pièce avant de les ranger dans le réfrigérateur.
- Toujours recouvrir les aliments, surtout les restants. Utiliser les restants avant 2 à 3 jours.

## RANGEMENTS DES ALIMENTS



# Soins et entretien

## ENTRETIEN

1. Pendant le nettoyage du réfrigérateur, débranchez la fiche d'alimentation, frottez délicatement avec un chiffon imprégné d'un détergent naturel, puis essuyez avec le chiffon imprégné d'eau propre. Les produits nettoyants abrasifs, les détergents alcalis, les chiffons imprégnés de produits chimiques, les diluants, l'alcool, les produits pétroliers acides et l'eau chaude ne conviennent pas au nettoyage du réfrigérateur, car ils risquent d'endommager la peinture et le revêtement plastique de l'appareil.
2. Le joint de la porte peut se salir. Il convient donc de le nettoyer fréquemment.

## PANNE D'ÉLECTRICITÉ

La plupart des pannes d'électricité sont corrigées dans un délai d'une heure et n'ont pas d'effets sur la température du réfrigérateur. Il est nécessaire de réduire le nombre d'ouverture de la porte pendant une panne. Pendant les pannes qui durent plus qu'une heure, protéger vos aliments en déposant un bloc de glace sèche par-dessus les emballages. Si la glace n'est pas disponible, essayer d'utiliser temporairement de l'espace de votre entrepôt à froid régional.

## LORS D'UN DÉMÉNAGEMENT

Retirez ou fixez en place tous les articles mobiles à l'intérieur de l'appareil. Pour éviter d'endommager les pieds de nivellement, tournez-les de manière à ce qu'ils soient dissimulés sous la base.

## PENDANT LES VACANCES

- Si vous prenez une vacance de courte durée, laissez le bouton de commande à son réglage normal. Si l'absence doit durer longtemps,
- (a) enlever tous les aliments.
  - (b) débranchez l'appareil de la prise murale.
  - (c) Nettoyez le réfrigérateur complètement, en incluant le plateau d'égouttage (bac de décongélation) situé dans le bas de l'appareil.
  - (d) Laissez la porte ouverte pour éviter les mauvais odeurs.

### Importantes consignes de sécurité pour l'utilisation du réfrigérateur

- Ne jamais ranger d'aliments chauds dans le réfrigérateur.
- Ne jamais surchargé l'appareil.
- Ouvrir la porte seulement si nécessaire.
- Pour un rangement prolongé de l'appareil, il est suggéré de laver l'appareil, de laisser la porte ouverte afin de fournir une circulation d'air à l'intérieur du meuble et d'éviter le développement de condensation, de moisissures et d'odeurs.



# Dépannage

De temps en temps, un problème est mineur et un appel de service peut ne pas être nécessaire. Utilisez ce guide de dépannage pour trouver une solution possible. Si l'unité continue de fonctionner incorrectement, appelez un dépôt de service autorisé ou le **numéro sans frais** pour obtenir de l'assistance. **Tel: 1 -800-263-2629**

## FUNCTIONNEMENT NORMAL

- 1. Un bruit d'écoulement** : il est normal d'entendre de l'eau couler au cours du fonctionnement normal du réfrigérateur.
- 2. Condensation extérieure** : il est normal d'observer de la condensation à l'extérieur de l'appareil par temps chaud et humide. Vous pouvez essuyer la surface de l'appareil sans problème.
- Un certain temps est nécessaire pour que la température du réfrigérateur et celle du compartiment congélateur s'abaissent après avoir mis le réfrigérateur en marche. Si la température des deux compartiments est élevée alors que le réfrigérateur fonctionne, il faudra un certain temps pour qu'elle s'abaisse. Si la température de l'endroit est élevée, il faudra un certain temps pour que la température des compartiments baisse..
- 4. La surface du compresseur devient chaude** : la surface du compresseur peut devenir chaude dans des conditions de fonctionnement normal. **Ne** touchez **pas** avec les mains.

PROBLEME	CAUSE PROBABLE	SOLUTION
1) Ne fonctionne pas.	<ul style="list-style-type: none"> <li>• Pas de tension à l'unité.</li> <li>• Le cordon d'alimentation est débranché.</li> <li>• Le mauvais voltage est utilisé.</li> </ul>	<ul style="list-style-type: none"> <li>• Vérifiez la connexion du cordon d'alimentation.</li> <li>• Branchez l'appareil.</li> <li>• Utilisez le voltage approprié.</li> </ul>
2) Le réfrigérateur fonctionne sans arrêt.	<ul style="list-style-type: none"> <li>• La température est trop basse</li> <li>• La porte n'est pas fermée.</li> <li>• De la nourriture chaude a été insérée.</li> <li>• La porte est ouverte trop souvent/longtemps.</li> <li>• Proximité d'une source de chaleur ou source de soleil.</li> </ul>	<ul style="list-style-type: none"> <li>• Baissez le contrôle de température.</li> <li>• Fermez la porte.</li> <li>• Assurez-vous que la nourriture est frais avant de la placer dans l'appareil.</li> <li>• Minimisez l'ouverture de la porte.</li> <li>• Ne placez pas l'appareil près d'une ou exposition directe aux rayons du chaleur/du soleil.</li> </ul>
3) La température interne n'est pas assez froide.	<ul style="list-style-type: none"> <li>• Pas de tension à l'unité.</li> <li>• Le cordon d'alimentation est débranché.</li> <li>• Température trop élevée</li> <li>• La couvercle n'est pas fermée.</li> <li>• La nourriture est chaude.</li> <li>• La porte est ouverte trop souvent/longtemps.</li> <li>• Obstruction de la circulation de l'air.</li> <li>• Le mauvais voltage est utilisé.</li> <li>• Proximité d'une source de chaleur ou exposition directe aux rayons du soleil.</li> </ul>	<ul style="list-style-type: none"> <li>• Vérifiez la connexion du cordon d'alimentation.</li> <li>• Branchez l'appareil.</li> <li>• Vérifiez le réglage et augmentez-le au besoin.</li> <li>• Fermez la porte.</li> <li>• Assurez-vous que la nourriture est frais avant de la placer dans l'appareil.</li> <li>• Minimisez l'ouverture de la porte.</li> <li>• Laissez l'air circuler dans la pièce autour de l'appareil.</li> <li>• Utilisez le voltage approprié.</li> <li>• Ne placez pas l'appareil près d'une ou exposition directe aux rayons du chaleur/du soleil.</li> </ul>



## GARANTIE LIMITÉE SUR APPAREIL ÉLECTROMÉNAGER À DOMICILE

Cet appareil de qualité est garanti exempt de tout vice de matière première et de fabrication, s'il est utilisé dans les conditions normales recommandées par le fabricant.

Cette garantie n'est offerte qu'à l'acheteur initial de l'appareil vendu par Danby Products Limited (Canada) ou Danby Products Inc. (E.-U. d'A) (ci-après "Danby") ou par l'un des ses distributeurs agréés et elle ne peut être transférée.

### CONDITIONS

Les pièces en plastique sont garanties pour trente (30) jours seulement à partir de la date de l'achat, sans aucune prolongation prévue.

*Première 12 mois* Pendant les douze (12) mois, toutes pièces fonctionnelles de ce produit s'avèrent défectueuses, seront réparées ou remplacées, selon le choix du garant, sans frais à l'acheteur INITIAL.

*Pour bénéficier du Service* Le client sera responsable pour le transport et tous les frais d'expédition de tout appareil exigeant le service au dépôt de service autorisé le plus proche. S'adresser au détaillant qui a vendu l'appareil, ou à la station technique agréée de service la plus proche, où les réparations doivent être effectuées par un technicien qualifié. Si les réparations sont effectuées par quiconque autre que la station de service agréée ou à des fins commerciales, toutes les obligations de Danby en vertu de cette garantie seront annulées.

*Limites de l'entretien à domicile* Si l'appareil est installé à plus de 100 kilomètres (62 milles) du centre de service le plus proche, il doit être livré à l'atelier de réparation autorisé par Danby le plus proche, car l'entretien doit uniquement être réalisé par un technicien qualifié et certifié pour effectuer un entretien couvert par la garantie de Danby. Les frais de transport entre votre domicile et le lieu de l'entretien ne sont pas couverts par la présente garantie et doivent être acquittés par l'acheteur.

Cette garantie indique en aucun temps la responsabilité de Danby de l'avarie ou dommage de la vin ou autre contenu, soit par les vices de l'appareil, ou soit par l'utilisation convenable ou inexacte.

### EXCLUSIONS

En vertu de la présente, il n'existe aucune autre garantie, condition ou représentation, qu'elle soit exprimée ou tacite, de façon manifeste ou intentionnelle, par Danby ou ses distributeurs agréés. De même, sont exclues toutes les autres garanties, conditions ou représentations, y compris les garanties, conditions ou représentations en vertu de toute loi régissant la vente de produits ou de toute autre législation ou règlement semblables.

En vertu de la présente, Danby ne peut être tenue responsable en cas de blessures corporelles ou des dégâts matériels, y compris à l'appareil, quelle qu'en soit les causes. Danby ne peut pas être tenue responsable des dommages indirects dus au fonctionnement défectueux de l'appareil. En achetant l'appareil, l'acheteur accepte de mettre à couvert et de dégager Danby de toute responsabilité en cas de réclamation pour toute blessure corporelle ou tout dégât matériel causé par cet appareil.

### CONDITIONS GÉNÉRALES

La garantie ou assurance ci-dessus ne s'applique pas si les dégâts ou réparations sont dus aux cas suivants:

- 1) Panne de courant.
- 2) Dommages subis pendant le transport ou le déplacement de l'appareil.
- 3) Alimentation électrique incorrecte (tension faible, câblage défectueux, fusibles incorrects).
- 4) Accident, modification, emploi abusif ou incorrect de l'appareil tel qu'une circulation d'air inadéquate dans la pièce ou des conditions de fonctionnement anormales (température extrêmement élevée ou basse).
- 5) Utilisation dans un but commercial ou industriel (à savoir, si l'appareil n'est pas installé dans un domicile résidentiel).
- 6) Incendie, dommages causés par l'eau, vol, guerre, émeute, hostilités, cas de force majeure (ouragan, inondation, etc.).
- 7) Visites d'un technicien pour expliquer le fonctionnement de l'appareil au propriétaire.
- 8) Installation inappropriée (par exemple, encastrement d'un appareil autoportant, ou utilisation extérieure d'un appareil non conçu à cet effet).

Une preuve d'achat doit être présentée pour toute demande de réparation sous garantie. Prière de garder le reçu. Pour faire honorer la garantie, présenter ce document à la station technique agréée ou s'adresser à:

**Service sous-garantie**  
Service au domicile

Danby Products Limited  
PO Box 1778, Guelph, Ontario, Canada N1H 6Z9  
Telephone: (519) 837-0920 FAX: (519) 837-0449

**1-800-263-2629**

Danby Products Inc.  
PO Box 669, Findlay, Ohio, U.S.A. 45840  
Telephone: (419) 425-8627 FAX: (419) 425-8629





## COMPACT REFRIGERATOR

The model number can be found on the serial plate located on the back panel of the unit.

All repair parts available for purchase or special order when you visit your nearest service depot. To request service and/or the location of the service depot nearest you, call Danby toll free.

When requesting service or ordering parts, always provide the following information:

- **Product Type**
- **Model Number**
- **Part Description**

## RÉFRIGÉRATEUR COMPACT

Le numéro de modèle se trouve sur la plaque d'information sur la paroi arrière de l'appareil.

Toutes les pièces de rechange ou commandes spéciales sont disponibles de votre centre régional de service autorisé. Pour exiger le service et/ou le nom de votre centre de service régional, signalez le numéro sans frais de Danby.

Ayez les renseignements suivants à la portée de la main lors de la commande de pièce ou service:

- **Genre de produit**
- **Numéro de modèle**
- **Description de la pièce**



**Model • Modèle**  
**DCR033A1WDB**  
**DCR033A1BDB**