

FOR YOUR SAFETY: Read these instructions carefully before operating the unit.

POUR VOTRE SÉCURITÉ : Lire attentivement ces instructions avant d'utiliser l'appareil.

PARA SU SEGURIDAD: Lea y observe todas las reglas de seguridad y las instrucciones de operación antes de usar este producto.

Danby
Premiere®

- OWNER'S USE AND CARE GUIDE
- GUIDE D'UTILISATION ET D'ENTRETIEN
- GUÍA DE UTILIZACIÓN Y CUIDADO PARA EL PROPIETARIO

PORTABLE DEHUMIDIFIER
DESHUMIDIFICATEUR PORTATIF
DESHUMIDIFICADOR PORTÁTIL

MODEL • MODÈLE • MODELO
DDR30B3WP
DDR45B3WP
DDR50B3WP



**1-800-263-2629
(1-800-26-DANBY)**

**DO NOT RETURN THIS UNIT TO THE RETAILER
WITHOUT FURTHER INSTRUCTIONS**

Dear valued customer, we hope your Danby product purchase fulfills all your requirements. Your satisfaction is our priority!
Please contact us at our toll free consumer service number for any inquiries you may have about your new unit.

**NE PAS RETOURNER CET APPAREIL CHEZ LE
DÉTAILLANT SANS CONSIGNES SUPPLÉMENTAIRES**

Cher(ère) client(e) important(e), nous espérons que votre produit Danby répond à tous vos besoins. Votre satisfaction est notre priorité!
Veuillez nous contacter au numéro gratuit de service après-vente, si vous avez des questions quelconques à propos de votre nouvel appareil.

**NO DEVUELVA ESTA UNIDAD A LA TIENDA SIN
INSTRUCCIONES ADICIONALES**

Estimado cliente, esperamos que el producto Danby que ha comprado satisfaga completamente sus necesidades. Su satisfacción es nuestra prioridad!
Por favor, contáctenos gratuitamente a nuestro número de Servicio al Cliente para cualquier pregunta que tenga sobre su nuevo electrodoméstico.

TO OBTAIN WARRANTY SERVICE YOU MUST PROVIDE A VALID PROOF OF PURCHASE. PLEASE STAPLE YOUR RECEIPT TO THIS PAGE FOR FUTURE REFERENCE.

POUR OBTENIR LE SERVICE SUR GARANTIE, VOUS DEVEZ FOURNIR UNE PREUVE D'ACHAT VALIDE. VEUILLEZ AGRAFER VOTRE REÇU À CETTE PAGE POUR RÉFÉRENCE FUTURE.

PARA OBTENER SERVICIO DE GARANTÍA, DEBE PROVEER UN RECIBO ORIGINAL. POR FAVOR ENGRAPE SU RECIBO A ÉSTA PÁGINA EN CASO QUE NECESITE HACER UN RECLAMO.

⚠ IMPORTANT - GROUNDING METHOD

This product is factory equipped with a power supply cord that has a three-pronged grounded plug. It must be plugged into a mating grounding type receptacle in accordance with the National Electrical Code and applicable local codes and ordinances. If the circuit does not have a grounding type receptacle, it is the responsibility and obligation of the customer to exchange the existing receptacle in accordance with the National Electrical Code and applicable local codes and ordinances. The third ground prong should not, under any circumstances, be cut or removed. Never use the cord, the plug or the appliance when they show any sign of damage. Do not use your appliance with an extension cord unless it has been checked and tested by a qualified electrician or electrical supplier.

⚠ IMPORTANT - MÉTHODE POUR LA MISE À LA TERRE

Ce produit arrive d'origine avec un cordon d'alimentation équipé d'une prise à trois fiches. Il doit être branché dans une prise avec une fiche de mise à la terre en conformité avec le Code national de l'électricité et les codes et règles locaux applicables. Si la prise murale n'a pas de mise à la terre, il est de la responsabilité et l'obligation du client de changer la prise existante pour la rendre conforme au Code national de l'électricité et aux codes et règles locaux applicables. La fiche de mise à la terre ne doit pas, en aucune circonstance, être coupée ou retirée. Si vous apercevez des signes de dommage, n'utilisez jamais le cordon d'alimentation, la prise ou l'appareil. N'utilisez jamais l'appareil avec une rallonge sauf si elle a été vérifiée et testée par un électricien qualifié ou un fournisseur de matériel électrique.

⚠ IMPORTANTE- MÉTODO DE CONEXIÓN A TIERRA

Este producto viene equipado con un cable eléctrico que tiene un enchufe de tres patas conexión a tierra. Este debe colocarse en una toma de corriente con conexión a tierra de acuerdo con el Código nacional de electricidad y códigos y ordenanzas locales correspondientes. Si el circuito no cuenta con una toma de corriente con conexión a tierra, es responsabilidad y obligación del cliente sustituir la toma de corriente actual de acuerdo con el Código nacional de electricidad u códigos u ordenanzas locales correspondientes. Bajo ninguna circunstancia se debe cortar o eliminar la tercera pata de conexión a tierra. Nunca utilice el cable, el enchufe o el artefacto cuando muestre un signo de daño visible. No utilice el artefacto con una extensión salvo que un proveedor eléctrico o electricista calificado la inspeccione y la pruebe.

CONTENTS

TABLE DES MATIÈRES

ÍNDICE

PORTABLE DEHUMIDIFIER

Owner's Use and Care Guide1-13

- Welcome
- Important Safety Information
- Features
- Installation Instructions
- Operation Instructions
- Care and Maintenance
- Troubleshooting
- Warranty

DÉSHUMIDIFICATEUR PORTATIF

Guide d'utilisation et d'entretien..... 14-27

- Bienvenue
- Consignes de sécurité importantes
- Caractéristiques
- Consignes d'installation
- Consignes d'utilisation
- Soins et entretien
- Dépannage
- Garantie

DESHUMIDIFICADOR PORTÁTIL

Guía del utilización y cuidado para el propietario.....28-41

- Bienvenido
- Instrucciones de seguridad importantes
- Instrucciones d'instalación
- Características
- Instrucciones operadoras
- Cuidado y mantenimiento
- Solucion sugerida
- Garantía

CAUTION:

Read and follow all safety rules and operating instructions before first use of this product.

PRÉCAUTION :

Veillez lire attentivement les consignes de sécurité et les instructions d'utilisation avant l'utilisation initiale de ce produit.

PRECAUCIÓN:

Veillez lire attentivement les consignes de sécurité et les instructions d'utilisation avant l'utilisation initiale de ce produit.

WARNING

Improper connection of the grounding plug can result in risk of fire, electric shock and/or injury to persons associated with the appliance. Check with a qualified service representative if in doubt that the appliance is properly grounded.

AVERTISSEMENT

Une fiche de mise à la terre mal branchée peut entraîner un risque d'incendie, de choc électrique ou de blessures aux personnes qui utilisent l'appareil. Si vous n'êtes pas certain que l'appareil est correctement mis à la terre, consultez un préposé du service qualifié.

ADVERTENCIA

El conectar indebidamente el enchufe de conexión a tierra puede crear riesgos de incendio, descarga eléctrica y/o ocasionar lesiones a las personas que usen el aparato. Si tiene dudas sobre la debida conexión a tierra del aparato, consulte un representante de servicios calificado.

Welcome

Welcome to the Danby family. We are proud of our quality products, and we believe in dependable service, like you will find in this Owner's Use and Care Guide, and like you will receive from our friendly customer service department. Best of all, you will experience these values each and every time you use your Danby appliance. That is important, because your new appliance will be a part of your family for a long time.

**Note the information below; you will need this information to obtain service under warranty.
To receive service, you must provide the original receipt.**

Model Number:	_____
Serial Number:	_____
Date of Purchase:	_____

NEED HELP?

Before you call for service, here are a few things you can do to help us serve you better:

Read this Owner's Use and Care Guide:

It contains instructions to help you use and maintain your appliance properly.

If you received a damaged appliance:

Immediately contact the retailer (or builder) that sold you the appliance.

Save time and money:

Check the Troubleshooting section at the end of the guide before calling. This section helps you solve common problems that may occur.

If you do need service, you can relax, knowing help is only a phone call away.



1-800-26- **Danby**
(1-800-263-2629)



Important Safety Information

READ AND FOLLOW ALL SAFETY INSTRUCTIONS

NOTE

The **WARNING** instructions issued in this manual are not meant to cover all possible conditions and situations that may occur. Person(s) installing, maintaining, or operating the appliance must exercise caution and care. Failure to install, maintain, and/or operate the equipment according to the manufacturer's instructions may result in conditions which can produce personal injury and damage to your unit and/or property damage. Contact your dealer, service agent, and/or the manufacturer about any problems or conditions you do not fully understand. **For Danby Customer Service call (1-800-263-2629).**

ELECTRICAL REQUIREMENTS

To reduce the risk of fire, electric shock, or personal injury, all wiring and grounding must conform with the latest edition of Local and National Electrical codes.

- It is the customer's responsibility to have the wiring and fuses checked by a qualified electrician to make sure adequate electrical power is available.
- This appliance is designed to operate on an effectively grounded, separately branched, polarized, 3-wire, 120 Volt 60 Hertz (alternating current) circuit protected by a 15 ampere fuse, equivalent fuse or circuit breaker. The three-prong grounding plug on the power cord should be plugged directly into the aforementioned receptacle rated 110/120 V.A.C.
- Do not connect the dehumidifier to a multiple socket outlet that is also being used for other electrical appliances.

FOR YOUR SAFETY: To reduce the risk of fire or explosion, do not store or use gasoline or other flammable vapors or liquids in the vicinity of this or any other appliance.

GROUNDING INSTRUCTIONS

Improper connection of the equipment-grounding conductor can result in a risk of electrical shock. Check with a qualified electrician or serviceperson if you are in doubt as to whether your appliance outlets are properly grounded.

- This appliance must be grounded. In the event of malfunction or breakdown, grounding will reduce the risk of electrical shock by providing a path of least resistance for electrical current. This appliance is equipped with a cord that has an equipment-grounding conductor and 3 prong grounding plug. The plug must be connected into an outlet that is properly installed and grounded in accordance with all local codes and ordinances.
- Do not modify the plug provided with this appliance. If it will not fit the outlet, have a proper outlet installed by a qualified electrician.
- If the household electrical supply does not meet the above specifications, or if you are not sure your home has an effective ground, have a qualified electrician or your local electrical utility company check it and correct any problems.

SAVE THESE INSTRUCTIONS



Important Safety Information

READ AND FOLLOW ALL SAFETY INSTRUCTIONS

SAFETY PRECAUTIONS

When using this dehumidifier, always follow basic safety precautions, including the following:

- Use this appliance only for its intended purpose as described in this Owner's Manual.
- Do not remove the Styrofoam in the float which is located in the bucket.
- This dehumidifier must be properly installed and grounded as described in this manual before it is used.
- Never operate this dehumidifier in an area that is likely to accumulate standing water. If this condition develops, for your safety disconnect the power supply before stepping into the water.
- Never unplug your dehumidifier by pulling on the power cord. Always grip the plug firmly and pull straight out from the receptacle.
- Replace immediately all electric service cords that have become frayed or otherwise damaged. A damaged power supply cord must be replaced with a new power supply cord obtained from the manufacturer and not repaired. Do not use a cord that shows cracks or abrasion damage along its length or at either the plug or connector end.
- If the receptacle does not match the plug, the receptacle must be changed out by a qualified electrician.
- Turn the dehumidifier OFF and unplug it before cleaning.
- For your safety, do not store or use combustible materials, gasoline or other flammable vapors or liquids in the vicinity of this or any other appliance.
- All dehumidifiers contain refrigerants, which under federal law must be removed prior to product disposal. If you are disposing of a product with refrigerants, check with the company handling disposal about what to do. Check for local regulatory compliance regarding the approved and safe disposal of this appliance.
- Do not use outdoors.
- This dehumidifier is intended for indoor residential applications only. This dehumidifier should not be used for commercial or industrial applications.

SAVE THESE INSTRUCTIONS

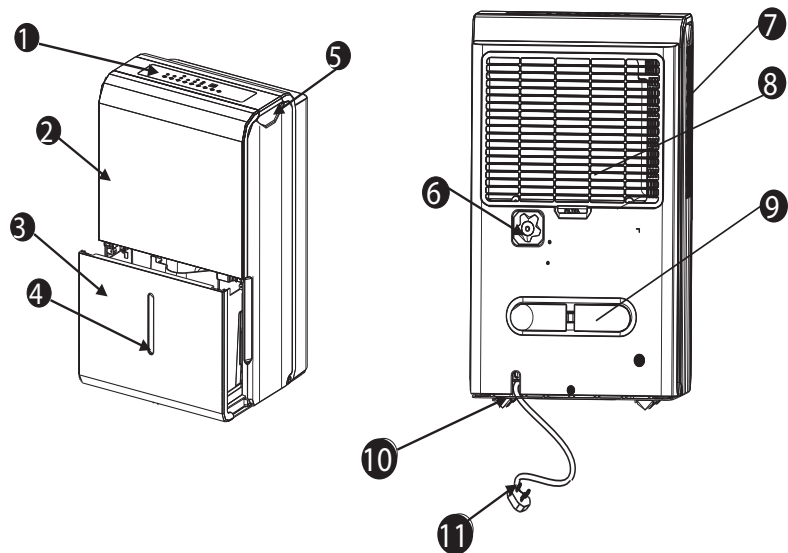


Installation Instructions

LOCATION

- Select a suitable location, making sure you have easy access to an electrical outlet (avoid the use of extension cords).
- Make sure there are no obstructions restricting airflow through the front air intake grill. Maintain a minimum clearance of at least 20 cm (8") between adjacent walls and the back of the unit, to allow for proper air circulation and maximum efficiency. To achieve maximum operating efficiency from your dehumidifier, the recommended (room ambient) operating temperatures should be between 5°C (41°F) and 35°C (95°F).
- It is important to remember the efficiency of a dehumidifier will be affected/influenced by the rate at which new humid air (moisture) is allowed to infiltrate the same space/area. To maintain efficiency, the dehumidifier must be operated in an enclosed area. Keep all doors and windows closed.
- Do not use this unit outdoors. This dehumidifier is intended for indoor residential applications only. This dehumidifier should not be used for commercial or industrial applications.
- Place the dehumidifier on a smooth, level floor strong enough to support the unit with a full bucket of water.
- Place the unit where it has access to an electrical outlet.
- This unit has 4 castors which can move freely. Do not force castors to move over carpet, and refrain from moving the unit with water in the bucket (the unit may tip over and spill water). Protect wood floors from possible spillage or scratches when moving unit.
- Remove accessory bag from bucket and store it in a safe place.

FEATURES



1. Control Panel
2. Front Panel
3. Water Bucket
4. Water Level Window
5. Carrying Handle (both sides)
6. Continuous Drain Hose Outlet
7. Air Outlet Grill
8. Air Filter
9. Power Cord Buckle
10. Caster
11. Power Cord and Plug

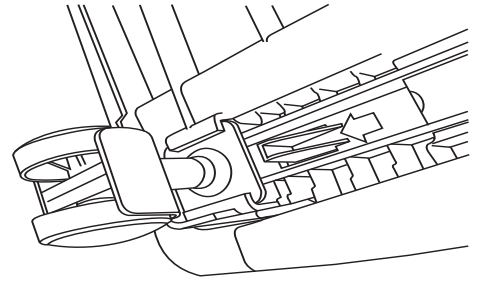


Operating Instructions

CASTOR INSTALLATION (some models)

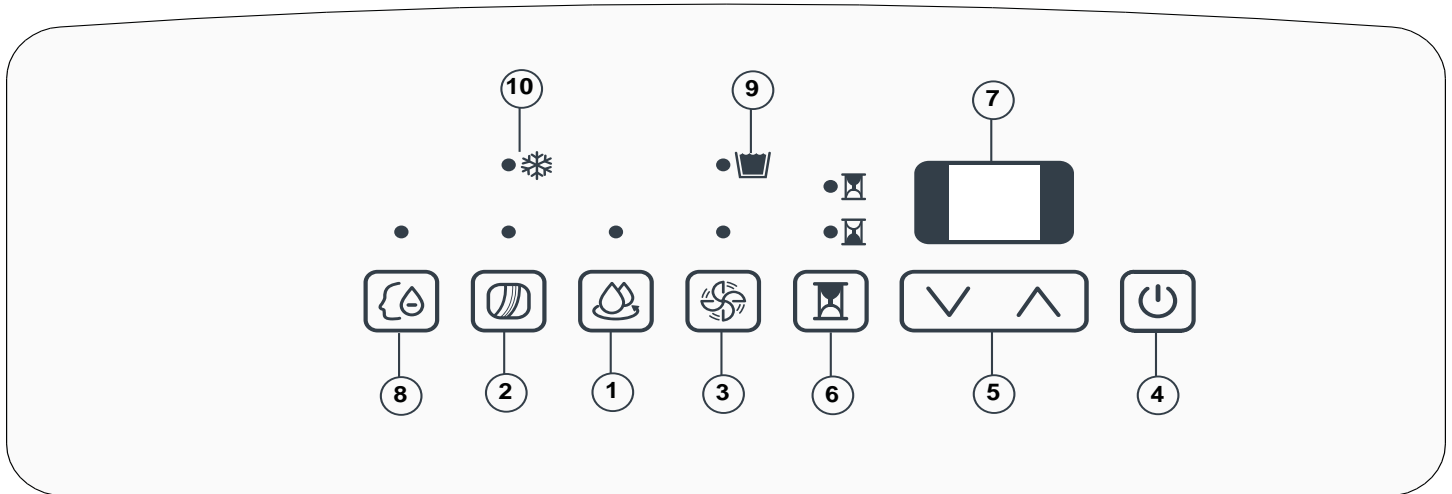
Castor installation is recommended to avoid damage to floors.

1. Remove the castors from the bucket of the dehumidifier.
2. Position the dehumidifier on its side.
3. Locate the arrow on the bottom of the dehumidifier and insert the castor according to the arrow direction.
4. Slide the castor in as far as it will go. The castor will snap into place.
5. Repeat steps 1 to 4 for the other 3 castors.



CONTROL PANEL INSTRUCTIONS

NOTE: The control panel of the unit you purchased may be slightly different depending on the model number.



When you push the button to change operation modes, the unit will make a beeping sound to indicate that it is changing modes.

1. **Continue Button:** Press to activate the continuous dehumidifying operation.
2. **Filter Button:** This product has a check filter feature that is a reminder to clean the air filter for more efficient operation. The check filter light will illuminate after 250 hours of operation. To reset this function after cleaning the filter, press the reset filter button and the light will go off.
3. **Fan button:** Controls the fan speed. Press to select either high (turbo) or normal fan speed. Set the fan control to high for maximum moisture removal. When the humidity has been reduced and quiet operation is preferred, set the fan control back to normal.
4. **Power Button:** Press to turn the dehumidifier on or off.
5. **(∨ / ∧) Buttons:** The humidity level can be set within a range of 35% RH (Relative Humidity) to 85% RH in 5% increments using these buttons. For drier air, press the (∨) button and set to a lower percentage value (%). For more damp air, press the (∧) button and set a higher percentage value (%).
6. **Timer Button:** Press to initiate the auto-start and auto-stop feature. Set a start or stop time from 0.0 to 24 hours using the (∧) and (∨) keys.
7. **Display:** Shows the actual (± 5% accuracy) room humidity level in a range of 30% RH to 90% RH. Otherwise, displays selection when programming humidity or timer.
8. **Comfort:** This function allows you to be comfortable by automatically adjusting the humidity level with the fluctuating room temperatures. The humidity level cannot be adjusted in this setting.

Note: The fan does not shut off the moment you remove the bucket, the fan will shut off after 2-3 minutes.



Operating Instructions

INDICATOR LIGHT FUNCTIONS

Note: Depending on the humidity conditions of the surrounding environment, the dehumidifier may not start automatically when the “on/off” button is pressed (see dehumidifying mode instructions for details).

9. Bucket Full Indicator Light: When the bucket is full and/or incorrectly positioned inside the cabinet, the bucket full light will turn on and remain on until the bucket is emptied and/or correctly re-positioned. This condition will result in the immediate shut down of the dehumidifying system (both compressor and fan motor operation are terminated). This is a safety feature. When the bucket is emptied and/or correctly re-positioned, the dehumidifier will resume operation automatically. **NOTE:** It may take several minutes before operating conditions resume.

10. Auto-defrost: When frost builds on the evaporator coils, the compressor will cycle off and the fan will continue to run until the frost disappears.

NOTE:

Memory Setting: Each time the unit is disconnected / re-connected and/or in the event of a power failure, the electronic circuit board automatically defaults to the last program setting that was used. After the unit has stopped, it may take several minutes before operating conditions resume.

Auto-restart: If the unit shuts off unexpectedly due to a power outage, it will restart with the previous function settings automatically when the power resumes.

ERROR CODES

AS - Humidity sensor error -- Unplug the unit and plug it back in. If error repeats, call for service.

ES - Temperature sensor error -- Unplug the unit and plug it back in. If error repeats, call for service.

P2 (or Eb) - Bucket is full or the bucket is not in correct position -- Empty the bucket and/or adjust it to the proper position.

EC - Please ensure that the room ambient temperature matches the recommended operating temperature for the unit, 5°C (41°F) - 35°C (95°F). If the temperature is within this range, call for service.

E3 - Unit Malfunction, unplug the unit and plug it back in. If error repeats, call for service.

TIMER FUNCTIONS

Follow these steps to program the Auto-on or Auto-off feature using the control panel:

Auto-off:

1. When the unit is on, and the TIMER button is pressed, the timer off indicator light illuminates to indicate that the auto-off program is initiated.
2. Press or hold the UP or DOWN button to change the 'Auto' time by 0.5 hour increments, up to 10 hours (then at 1 hour increments up to 24 hours). The unit control will count down the time remaining until start.
3. Within 5 seconds of setting auto-off time, press the TIMER button again to complete the auto-off program.

Auto-on:

4. When the unit is off, and the TIMER button is pressed, the auto-on program is initiated. Set the auto-on time as in step 2 above. Within 5 seconds of setting auto-on time, press the TIMER button again to complete the auto-on program.

NOTE: When the auto-on and auto-off times are set, within the same program sequence, TIMER ON OFF indicator lights illuminate indicating that both ON and OFF times are now programmed.

NOTE: Turning the unit ON or OFF at any time, changing the on/off timer setting to 0.0, and a P2 error code will cancel the Auto-on/off functions.



Operating Instructions

WATER TANK OPERATION

The water tank holds accumulated condensed water and, by means of a safety switch, controls both the water level and operation of the dehumidification process.

When the water tank is full and/or accidentally displaced inside the cabinet, the float switch actuator (inside the tank) breaks contact with the safety switch. This condition results in the immediate shut down of the compressor and fan motor system, preventing moisture from being condensed.

Note: On some models, the fan will continue to run for approximately 2-3 minutes after the unit has stopped and the bucket has been removed. As a result, water may drip from the tray onto the base of the unit, and then onto the floor. Please ensure that you protect your wood and carpet from such leakage.



IMPORTANT

Never tamper with or attempt to defeat the water level (safety) float switch system. Proper installation of the water tank is crucial in maintaining reliable dehumidifier operation.

DEHUMIDIFYING

Dehumidifying is a means of removing moisture from the air. A dehumidifier will help to protect your home and valued possessions from damage due to swelling caused by moisture in the air. Essentially a dehumidifier removes moisture from air as moist air passes over a dehumidifying (evaporator) coil. Moisture is condensed on the evaporator coil, drained, and collected inside an internal (removable) water tank located at the front of the unit. The exhausted air being returned into the room environment is elevated several degrees causing the surrounding air temperature to increase (slightly). This process also contributes to lowering the relative humidity of the surrounding air.

Note: For optimal performance, ensure that the unit is set at least 10% lower than the relative humidity level. It is normal for the humidity to vary by 5% above or below the set humidity. It is recommended that in normal conditions, the humidity be set at 40-45%.

DEHUMIDIFYING MODE INSTRUCTIONS

When the unit is first connected to the electrical outlet, the power light will not light up until the “on/off” button is pressed. When the “on/off” button is pressed, the power light turns on and the dehumidifier automatically defaults to:

Display: Current ambient room humidity (RH%)

Humidity Setting: 60% RH

Fan Speed: High.

Note: Depending on humidity conditions of the surrounding environment, the dehumidifier may not start automatically under the default setting (this is an indication that the humidity level of the surrounding environment is lower than the “default” setting of 60% RH). Therefore, it may be necessary to scroll through each of the different dehumidifier settings 35%-55% until the “humidistat” (sensor) recognizes conditions that will allow the unit to operate.

Dehumidifying Mode Selection:

1. The unit enters dehumidify mode when the ON/OFF button is pressed.
- 2a. Press the **▲ / ▼** buttons to select a desired RH operating value (35%-85%).

OR

- 2b. Press the *continuous* button. When *continuous* mode is selected, the humidistat (sensor) will be by-passed and the compressor will operate non-stop regardless of humidity conditions.

Fan Speed Selection:

3. You can choose a fan speed (normal/turbo) using the keypad. The speed you select is identified by the (illuminated) indicator light located directly above the selection made.



Operating Instructions

AIR FILTER

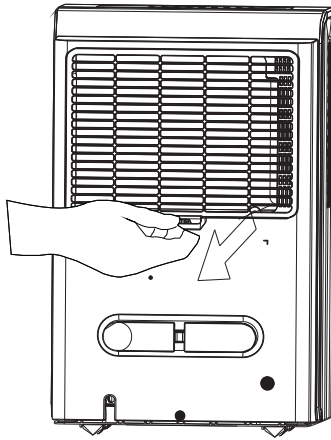
Note: All the pictures in the manual are for explanatory purposes only. The actual shape of the unit you purchased may be slightly different, but the operation and functions are the same.

Your dehumidifier features a removable Air Filter. This filter is located at the front of the unit (behind the air intake grill) directly above the water tank compartment. The air filter plays an important role in helping to reduce (minimize) dust/ dirt particles from the surrounding environment. A blocked/clogged air filter reduces air intake, impacting negatively on operating efficiency. To maintain maximum operating efficiency, the filter must be checked and cleaned regularly (every 2 weeks). More frequent cleaning may be required depending upon indoor air quality.

IMPORTANT: Never operate the unit without the air filter in place.

AIR FILTER REMOVAL:

1. Pull filter outwards.
2. Clean the filter thoroughly using a vacuum cleaner or wash using lukewarm water and mild detergent. Dry thoroughly before re-installing.
3. To re-install the air filter, slide the filter back inside the tracks.

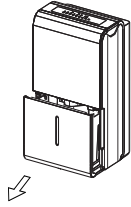




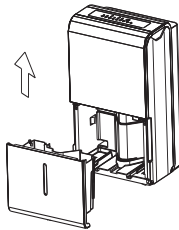
Operating Instructions

REMOVING COLLECTED WATER

1. Pull out the bucket a little.



2. Hold both sides of the bucket with even strength and pull it out from the unit.



3. Pour the water out.

There are two ways to remove collected water:

1. Use the bucket

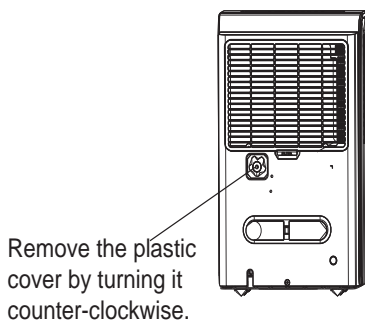
When the unit is off and the bucket is full, the unit will beep 8 times, the bucket full indicator light will flash, and the digital display shows P2. When the unit is on and the bucket is full, the compressor turns off and the fan turns off after drying the water off the condenser for 30 seconds. The unit will then beep 8 times and the bucket full indicator light will flash, and the digital display shows P2.

To empty the full bucket, slowly pull out the bucket. Grip the left and right handles securely, and carefully pull it straight out so water does not spill. Do not put the tank on the floor because the bottom of the bucket is uneven. Otherwise the bucket will fall and cause water to spill. Discard the water and return the bucket to the unit. The bucket must be placed and properly positioned for the dehumidifier to operate. The machine will restart when the bucket is restored in its correct position.

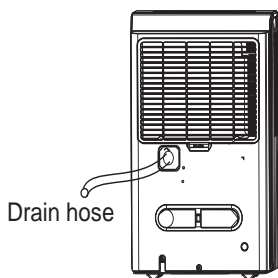
Note: When you remove the bucket, do not touch any parts inside of the unit. Doing so may damage the product. Be sure to push the bucket gently all the way into the unit. Banging the bucket against anything or failing to push it in securely may cause the unit not to operate. When you remove the bucket, if there is some water inside the unit you must dry it. The power button flashes when the bucket is not properly in place.

2. Continuous draining:

Water can be automatically emptied into a floor drain by attaching the unit to an ID $\geq 5/16$ " water hose with a ID:M=1 female threaded end (not included, a standard garden hose works well). Install the drain hose. The adaptor is found in the accessory bag located in the bucket. Remove the plastic cover from the back drain outlet of the unit and set it aside. Remove the bucket, then insert the drain hose through the drain outlet of the unit and securely press it into the connector on the front of the unit.



Remove the plastic cover by turning it counter-clockwise.



Drain hose

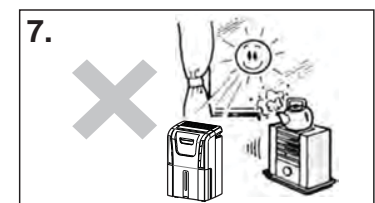
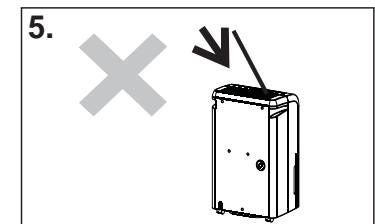
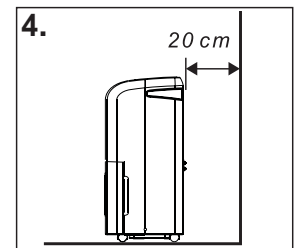
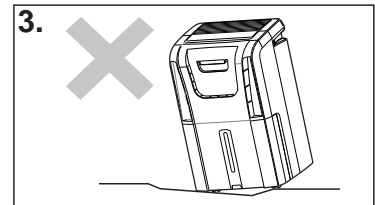
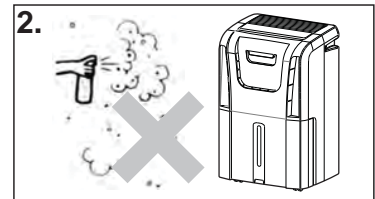
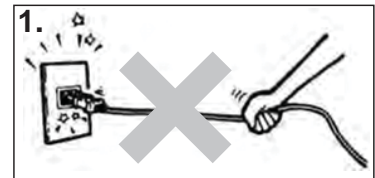
Install the female threaded end of the water hose into the adaptor A (see B4), then lead the water hose to the floor drain or a suitable drainage facility. Make sure the hose is secure so there are no leaks. Direct the hose toward the drain, making sure that there are no kinks that will stop the water from flowing. Place the end of the hose into the drain and make sure the end of the hose is level or declining to let the water flow smoothly. Place the bucket back in the unit and make sure that it is located correctly. Select the desired humidity setting and fan speed on the unit for continuous draining to start.



Operating Instructions

CAUTION

1. DO NOT pull on the power cord to avoid breakage, potential danger or injury.
2. DO NOT use insecticide/ repellents, oil or paint/spray paint around the machine, these might cause damage to plastic parts or start a fire.
3. DO NOT place the unit on uneven ground to avoid shaking, noise and water leakage.
4. Always keep the unit 20 cm or more from the wall to dissipate heat properly.
5. DO NOT drop anything into the machine.
6. Close all windows to allow for the maximum possible efficiency for removing moisture.
7. Keep the machine away from any type of heat source.
8. When moving or putting in storage, do not place the dehumidifier on its side or upside down.





Care and Maintenance

CLEANING



IMPORTANT

1. Be sure to unplug the unit before cleaning or servicing.
2. Do not use gasoline, paint thinner or other chemicals to clean the unit.
3. Do not wash the unit directly under a tap or using a hose. It may cause electrical damage.
4. If the power cord is damaged, contact the service depot immediately.

1. Clean the grill and case

Use water and a mild detergent. Do not use bleach or abrasives. Do not splash water directly onto the main unit. Doing so may cause an electric shock, cause the insulation to deteriorate, or cause the unit to rust. The air intake and outlet grills become dirty easily, so use a vacuum attachment or brush to clean.

2. Clean the bucket

Every few weeks, clean the bucket to prevent growth of mold, mildew and bacteria. Partially fill the bucket with clean water and add a small amount of mild detergent. Swish it around in the bucket, empty and rinse. **Note:** Do not use a dishwasher to clean the bucket. After cleaning, the bucket must be placed and properly positioned for the dehumidifier to operate.

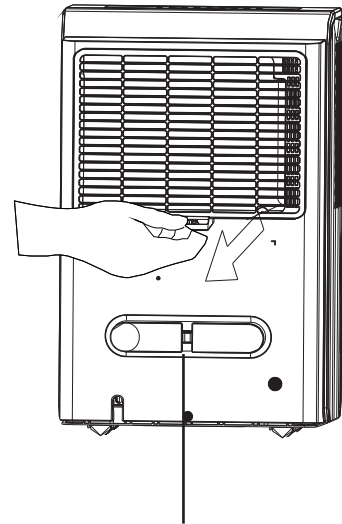
3. Clean the air filter

Remove and clean the filter every two weeks based on normal operating conditions.

Caution: DO NOT operate the dehumidifier without a filter because dirt and lint will clog it and affect performance.

4. When not using the unit for long periods of time

After turning the unit off, wait one day before emptying the bucket. Clean the main unit, water bucket and air filter. Cover the unit with a plastic bag. Wrap the cord around the power cord buckle. Store the unit upright in a dry, well ventilated place.




Power cord buckle



Troubleshooting

Occasionally, a minor problem may arise, and a service call may not be necessary- use this troubleshooting guide for a possible solution. If the unit continues to operate improperly, call an authorized service depot or **Danby's Toll Free Number** for assistance.

Tel: 1-800-26 - **Danby**® (1-800-263-2629)

PROBLEM	POSSIBLE CAUSE	SOLUTION
Dehumidifier does not start	<ul style="list-style-type: none"> The dehumidifier is unplugged The fuse is blown/circuit breaker is tripped Dehumidifier has reached its preset level or bucket is full Bucket is not in the proper position Power failure 	<ul style="list-style-type: none"> Make sure the plug is pushed completely into the outlet Check the house fuse/circuit breaker box and replace the fuse or reset the breaker The unit turns off automatically when either condition occurs. Change to a lower setting or empty the bucket and replace properly The bucket must be in place and securely seated for the unit to operate. There is a protective time delay (up to 3 minutes) to prevent tripping of the compressor overload. For this reason, the unit may not start normally for 3 minutes after it is turned back on.
Dehumidifier does not dry the air as it should	<ul style="list-style-type: none"> Did not allow enough time to remove the moisture Airflow is restricted Dirty filter The humidity control may not be set low enough Doors and windows may not be closed tightly Clothes dryer may be blowing moisture-laden air into the room Room temperature is too low 	<ul style="list-style-type: none"> When first installed, allow at least 24 hours to maintain the desired dryness Make sure there are no curtains, blinds or furniture blocking the front or back of the dehumidifier. See the "Location" section. See the "Air filter" section For drier air, press the  button and set to a lower percent value (%) Check that all doors, windows and other openings are securely closed Install the dehumidifier away from the dryer. The dryer should be vented to the outside. Moisture removal is best at higher room temperatures. Lower room temperatures will reduce the moisture removal rate. Modes are designed to be operated at temperatures above 5°C (41°F)
Dehumidifier runs too much	<ul style="list-style-type: none"> Area to be dehumidified is too large Doors and windows are open 	<ul style="list-style-type: none"> The capacity of your dehumidifier may not be adequate Close all doors and windows
Frost appears on the coils	<ul style="list-style-type: none"> Unit has been recently turned on, or room temperature is below 5°C (41°F) 	<ul style="list-style-type: none"> This is normal. Frost will usually disappear within 60 minutes. See the "Defrost" section
Controls cannot be set	<ul style="list-style-type: none"> The compressor will turn off and the fan will automatically continue to run for approx. 3 minutes at a fixed setting 	<ul style="list-style-type: none"> This is normal. Wait approximately 3 minutes and set the fan as desired.
Fan noise	<ul style="list-style-type: none"> Air is moving through the dehumidifier 	<ul style="list-style-type: none"> This is normal
Water on floor	<ul style="list-style-type: none"> Hose connection may be loose Bucket used to collect water, but the hose is attached 	<ul style="list-style-type: none"> Check the hose connection. See "Continuous Drain" section Disconnect the hose if using the bucket to collect water, see "Continuous Drain" section.

LIMITED CARRY-IN APPLIANCE WARRANTY

This quality product is warranted to be free from manufacturer's defects in material and workmanship, provided that the unit is used under the normal operating conditions intended by the manufacturer.

This warranty is available only to the person to whom the unit was originally sold by Danby Products Limited (Canada) or Danby Products Inc. (U.S.A.) (hereafter "Danby") or by an authorized distributor of Danby, and is non-transferable.

TERMS OF WARRANTY

Plastic parts, are warranted for thirty (30) days only from purchase date, with no extensions provided.

First 24 months During the first twenty four (24) months, any functional parts of this product found to be defective, will be repaired or replaced, at warrantor's option, at no charge to the ORIGINAL purchaser.

To obtain service Danby reserves the right to limit the boundaries of "In Home Service" to the proximity of an Authorized Service Depot. Any appliance requiring service outside the limited boundaries of "In Home Service", it will be the consumer's responsibility to transport the appliance (at their own expense) to the original retailer (point of purchase) or a service depot for repair. See "Boundaries of In Home Service" below. Contact your dealer from whom your unit was purchased, or contact your nearest authorized Danby service depot, where service must be performed by a qualified service technician. If service is performed on the units by anyone other than an authorized service depot, or the unit is used for commercial application, all obligations of Danby under this warranty shall be void.

Boundaries of in-home service If the appliance is installed in a location that is 100 kilometers (62 miles) or more from the nearest service center your unit must be delivered to the nearest authorized Danby Service Depot, as service must only be performed by a technician qualified and certified for warranty service by Danby. Transportation charges to and from the service location are not protected by this warranty and are the responsibility of the purchaser.

Nothing within this warranty shall imply that Danby will be responsible or liable for any spoilage or damage to food or other contents of this appliance, whether due to any defect of the appliance, or its use, whether proper or improper.

EXCLUSIONS

Save as herein provided, by Danby, there are no other warranties, conditions, representations or guarantees, express or implied, made or intended by Danby or its authorized distributors and all other warranties, conditions, representations or guarantees, including any warranties, conditions, representations or guarantees under any Sale of Goods Act or like legislation or statute is hereby expressly excluded. Save as herein provided, Danby shall not be responsible for any damages to persons or property, including the unit itself, howsoever caused or any consequential damages arising from the malfunction of the unit and by the purchase of the unit, the purchaser does hereby agree to indemnify and hold harmless Danby from any claim for damages to persons or property caused by the unit.

GENERAL PROVISIONS

No warranty or insurance herein contained or set out shall apply when damage or repair is caused by any of the following:

- 1) Power failure.
- 2) Damage in transit or when moving the appliance.
- 3) Improper power supply such as low voltage, defective house wiring or inadequate fuses.
- 4) Accident, alteration, abuse or misuse of the appliance such as inadequate air circulation in the room or abnormal operating conditions (extremely high or low room temperature).
- 5) Use for commercial or industrial purposes (ie. If the appliance is not installed in a domestic residence).
- 6) Fire, water damage, theft, war, riot, hostility, acts of God such as hurricanes, floods etc.
- 7) Service calls resulting in customer education.
- 8) Improper Installation (ie. Building-in of a free standing appliance or using an appliance outdoors that is not approved for outdoor application). Proof of purchase date will be required for warranty claims; so, please retain bills of sale. In the event warranty service is required, present this document to our AUTHORIZED SERVICE DEPOT.

Warranty Service
Carry-In

Danby Products Limited
PO Box 1778, Guelph, Ontario, Canada N1H 6Z9
Telephone: (519) 837-0920 FAX: (519) 837-0449

1-800-263-2629
07/14

Danby Products Inc.
PO Box 669, Findlay, Ohio, U.S.A. 45840
Telephone: (419) 425-8627 FAX: (419) 425-8629

Bienvenue

Bienvenue dans la famille Danby. Nous sommes fiers de la qualité de nos produits et nous croyons fermement au service par une assistance fiable. Vous le découvrirez à la lecture de ce guide facile d'utilisation et vous en aurez la confirmation par notre service d'assistance à la clientèle. Mais ce qui est encore mieux, vous pourrez bénéficier de ces avantages à chaque utilisation de votre appareil. Ceci est important parce que votre nouvel appareil fera partie de votre famille pour longtemps.

Veillez noter les informations ci-dessous; ces renseignements seront nécessaires si votre appareil a besoin d'entretien ou pour les demandes de renseignements généraux. Pour bénéficier d'une opération de maintenance ou de dépannage, le reçu original sera exigé.

Numéro de modèle : _____

Numéro de série : _____

Date d'achat : _____

BESOIN D'ASSISTANCE ?

Veillez trouver quelques conseils avant de faire appel à nos services, cela nous aidera à mieux vous servir :

Lisez ce guide :

Il comprend des instructions pour l'utilisation et l'entretien adapté de votre appareil.

Si votre nouvel appareil est endommagé :

Contactez immédiatement le revendeur (ou le fabricant).

Gagnez du temps et de l'argent :

Avant de faire appel à nos services, consultez à nouveau la section « Dépannage ». Cette section vous aidera à résoudre des problèmes courants.

Si une réparation est nécessaire, ne vous inquiétez pas, la solution est au bout du fil.



1-800-26-**Danby**
(1-800-263-2629)



Consignes de sécurité importantes

LISEZ TOUTE L'INFORMATION DE SÉCURITÉ AVANT UTILISATION

REMARQUE

Les consignes d'**AVERTISSEMENT** publiées dans ce manuel ne sont pas supposées couvrir toutes les conditions et situations éventuelles qui peuvent se produire. La ou les personnes qui installent, entretiennent ou utilisent l'appareil doivent faire preuve de précaution et de prudence. Si vous n'installez pas, n'entretenez pas ou n'utilisez pas l'appareil conformément aux instructions du fabricant, il peut se produire des situations présentant des risques de blessures corporelles, de dommages à l'unité ou autres dommages matériels. Communiquez avec votre concessionnaire, votre représentant ou le fabricant en cas de problèmes ou de conditions que vous ne comprenez pas bien. **Pour parler au service à la clientèle de Danby, composez le (1-800-263-2629).**

ALIMENTATION ÉLECTRIQUE

Afin de réduire le risque d'incendie, de choc électrique ou de blessures, tout le câblage et toute la mise à la masse doivent se conformer à la dernière édition des codes d'électricité locaux et nationaux.

- Il incombe au client de faire vérifier le câblage et les fusibles par un électricien qualifié pour s'assurer que l'alimentation électrique disponible est appropriée.
- Cet appareil est conçu pour fonctionner avec un circuit bien mis à la masse, à branchement séparé, polarisé, à trois fils de 120 volts et 60 hertz (courant alternatif). Ce circuit doit être protégé par un fusible de 15 ampères, un fusible équivalent ou un coupe-circuit. La fiche à trois broches mise à la masse sur le cordon d'alimentation doit être branchée directement dans la prise susmentionnée de puissance nominale 110/120 V (c.a.).
- Ne branchez pas le déshumidificateur à une prise femelle multiple qui sera également utilisée pour d'autres appareils électriques.

POUR VOTRE SÉCURITÉ : Afin de réduire le risque d'incendie ou d'explosion, n'entrez pas ou n'utilisez pas d'essence ou d'autres vapeurs ou de liquides inflammables à proximité de cet appareil.

MISE À LA TERRE CONSIGNES

Le mauvais branchement d'un conducteur mis à la masse d'équipement peut résulter dans un risque de choc électrique. Vérifiez avec un électricien ou un technicien qualifié si vous n'êtes pas certain que les prises de vos appareils sont bien mises à la masse.

Cet appareil doit être mis à la masse. En cas de mauvais fonctionnement ou de panne, la mise à la masse réduira le risque de choc électrique en offrant un circuit avec le moins de résistance au courant électrique. Cet appareil est équipé d'un cordon électrique avec un conducteur et une fiche à trois broches mis à la masse. La fiche doit être branchée dans une prise bien installée et mise à la masse conformément aux codes et ordonnances locaux.

- Ne modifiez pas la fiche livrée avec cet appareil. Si elle ne s'adapte pas à la prise, faites installer une prise adéquate par un technicien qualifié.
- Si l'alimentation électrique de votre maison ne satisfait pas aux spécifications susmentionnées ou si vous n'êtes pas certain que votre maison a une mise à la terre efficace, demandez à un technicien qualifié ou à une compagnie d'électricité de le vérifier et de rectifier tous les problèmes.

GARDEZ CES INSTRUCTIONS



Consignes de sécurité importantes

LISEZ TOUTE L'INFORMATION DE SÉCURITÉ AVANT UTILISATION

MESURES DE SÉCURITÉ

Lors de l'utilisation de ce déshumidificateur, suivez toujours les mesures de sécurité de base, y compris les suivantes :

- N'utilisez cet appareil qu'aux fins pour lesquelles il est conçu, tel que décrit dans ce guide d'utilisation.
- Ne pas retirer le morceau de styromousse dans le récipient, puisque celui-ci agit comme indicateur du niveau d'eau.
- Ce déshumidificateur doit être installé et mis à la terre correctement, tel que décrit dans ce guide, avant d'être utilisé.
- Ne faites jamais fonctionner ce déshumidificateur à un endroit où de l'eau stagnante est susceptible de s'accumuler. Dans une telle situation, pour votre sécurité, débranchez l'alimentation avant de marcher dans l'eau.
- Ne débranchez jamais votre déshumidificateur en tirant sur le cordon d'alimentation. Tenez toujours la fiche fermement et tirez bien droit pour la retirer de la prise.
- Remplacez immédiatement tous les cordons d'alimentation effilochés ou qui présentent d'autres dommages. Un cordon d'alimentation endommagé doit être remplacé par un nouveau cordon obtenu auprès du fabricant; il ne doit pas être réparé. N'utilisez pas un cordon qui présente des fissures ou des dommages causés par l'abrasion, soit sur le cordon lui-même, soit à l'extrémité de la fiche ou du raccord.
- Si la prise ne correspond pas à la fiche, la prise doit être changée par un électricien qualifié.
- Éteignez le déshumidificateur et débranchez-le avant de le nettoyer.
- Pour votre sécurité, n'entreposez et n'utilisez pas de matières combustibles, d'essence ou d'autres liquides ou vapeurs inflammables à proximité de cet appareil ou de tout autre appareil.
- Tous les déshumidificateurs contiennent des fluides frigorigènes qui, en vertu des lois fédérales, doivent être enlevés avant que le produit soit mis au rebut. Si vous vous débarrassez d'un produit contenant des fluides frigorigènes, demandez conseil à l'entreprise qui s'occupe de la mise au rebut pour connaître la marche à suivre. Vérifiez le respect des réglementations locales concernant la mise au rebut approuvée et sécurisée de cet appareil.
- N'utilisez pas cet appareil à l'extérieur.
- Le déshumidificateur est uniquement conçu pour des utilisations résidentielles à l'intérieur. Ce déshumidificateur ne doit pas servir à des utilisations commerciales ou industrielles.

GARDEZ CES INSTRUCTIONS

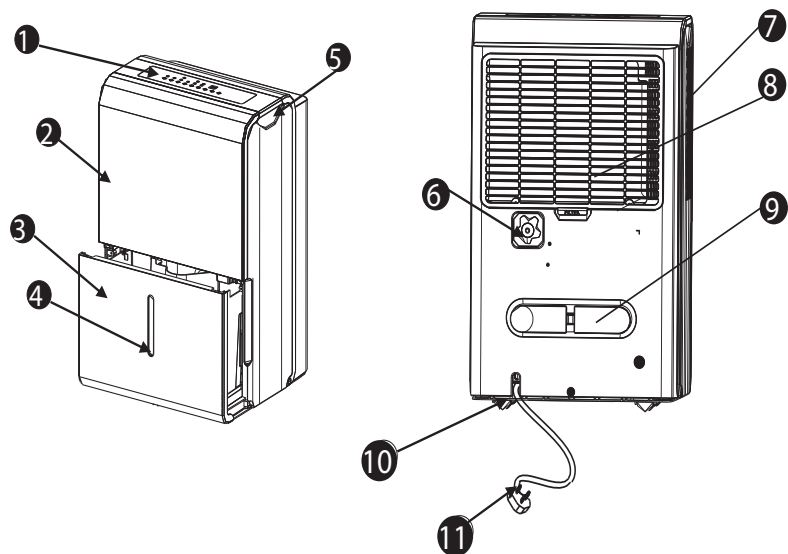


Consignes d'utilisation

EMPLACEMENT

- Choisissez un emplacement approprié et assurez-vous d'avoir accès à une prise électrique (évités d'utiliser des rallonges électriques).
- Assurez-vous qu'il n'y a aucun obstacle limitant la circulation d'air passant par la grille frontale d'entrée d'air. Maintenez un dégagement minimal d'au moins 20 centimètres (8 po) entre les murs adjacents et le dos de l'unité, afin de permettre une bonne circulation d'air et une efficacité optimale. Afin d'obtenir un rendement opérationnel optimal pour votre déshumidificateur, les températures (ambiantes de la pièce) de fonctionnement recommandées devraient s'élever à entre 5 °C (41 °F) et 35 °C (95 °F).
- Il est important de se rappeler que l'efficacité d'un déshumidificateur sera affectée/influencée par le taux auquel on laisse infiltrer de l'air nouveau et humide (humidité) dans le même espace/la même zone. Afin de maintenir l'efficacité, le déshumidificateur doit fonctionner dans une zone close. Gardez toutes les portes et fenêtres fermées.
- N'utilisez pas cet appareil à l'extérieur. Ce déshumidificateur ne doit être utilisé qu'à l'intérieur à des fins d'usage résidentiel. Ce déshumidificateur ne doit pas être utilisé à des fins commerciales ou industrielles.
- Mettez le déshumidificateur sur un plancher lisse à niveau suffisamment robuste pour soutenir l'appareil avec un réservoir d'eau plein.
- Placez l'appareil où vous avez accès à une prise électrique
- Cet appareil a quatre roulettes qui peuvent se déplacer librement. Ne forcez pas les roulettes à se déplacer sur la moquette et évitez de déplacer l'appareil lorsqu'il y a de l'eau dans le réservoir (il peut basculer et renverser l'eau). Protégez les sols en bois contre les risques de déversements ou de rayures en déplaçant l'appareil.
- Enlevez le sac d'accessoires du réservoir et rangez-le dans un lieu sûr.

CARACTÉRISTIQUES



1. Panneau de commandes
2. Panneau frontal
3. Réservoir d'eau
4. Fenêtre de niveau d'eau
5. Poignée (des deux côtés)
6. Sortie de drain continu
7. Grille de sortie d'air
8. Filtre à air
9. Bande (utilisée pour entreposer l'appareil)
10. Roulette
11. Cordon d'alimentation et fiche

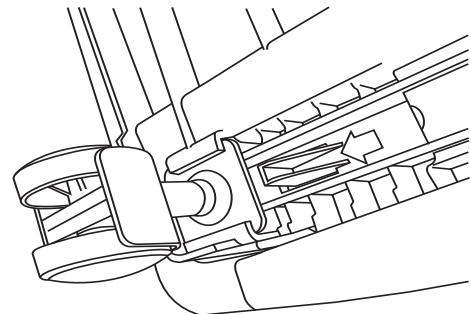


Consignes d'utilisation

INSTALLATION DES ROULETTES (certains modèles seulement)

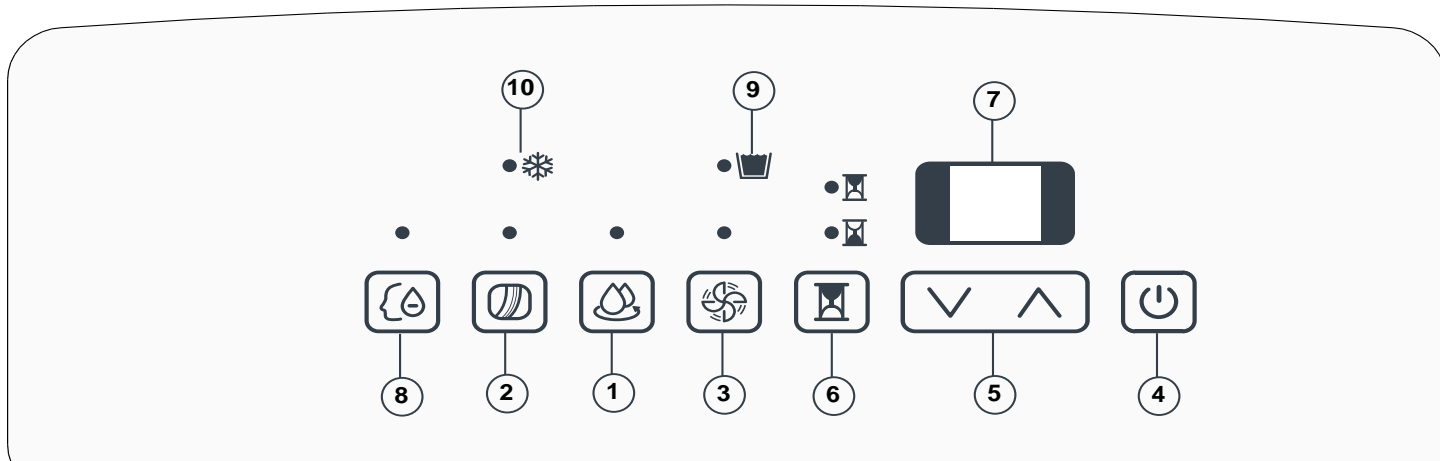
L'installation des roulettes est recommandée afin d'éviter d'endommager le plancher.

1. Dégager les roulettes du bac du déshumidificateur.
2. Placer le déshumidificateur en appui sur le côté.
3. Déterminer l'emplacement de la flèche au bas du déshumidificateur et insérer la roulette selon la direction de la flèche.
4. Enfoncer la roulette en la faisant glisser aussi loin que possible. La roulette s'emboîte.
5. Répéter les étapes 1 à 4 pour les trois autres roulettes.



CONSIGNES RELATIVES AU PANNEAU DE COMMANDE

*REMARQUE : Le panneau de commande de l'appareil que vous avez acheté peut être légèrement différent en fonction du numéro de modèle.



Lorsque vous poussez sur le bouton pour modifier les modes de fonctionnement, l'appareil émettra un signal sonore pour indiquer un changement de modes.

1. **Bouton mode continu** : Appuyez dessus pour activer le fonctionnement continu du déshumidificateur.
2. **Bouton filtre** : Ce produit a une fonction de vérification du filtre à titre de rappel qu'il faut nettoyer le filtre à air en vue d'un fonctionnement plus efficace. Le témoin de vérification du filtre s'illuminera après 250 heures de fonctionnement. Pour remettre cette fonction à zéro après avoir nettoyé le filtre, appuyez sur le bouton de remise à zéro de la fonction filtre et le témoin s'éteindra.
3. **Bouton ventilateur** : Régule la vitesse du ventilateur. Appuyez dessus pour choisir la vitesse du ventilateur élevée (turbo) ou normale. Réglez la vitesse du ventilateur à élevée pour une élimination optimale de l'humidité. Lorsque l'humidité a été réduite et que vous préférez le fonctionnement silencieux, réglez à nouveau la vitesse du ventilateur à normal.
4. **Bouton de mise en marche** : Appuyez dessus pour mettre en marche ou éteindre le déshumidificateur.
5. **Boutons (∧ / ∨)** : Le niveau d'humidité pour être réglé dans une marge de 35% d'HR (humidité relative) à 85% d'HR par incréments de 5% à l'aide de ces boutons. Pour un air plus sec, appuyez sur le bouton (∨) et réglez à un pourcentage inférieur (%). Pour un air plus humide, appuyez sur le bouton (∧) et réglez à un pourcentage plus élevé (%).
6. **Bouton minuterie** : Appuyez dessus pour activer la fonction de démarrage et d'arrêt automatiques. Réglez un délai de démarrage et d'arrêt de 0 à 24 heures à l'aide des touches (∧) et (∨).
7. **Affichage** : Indique le niveau d'humidité réel de la pièce (exactitude de $\pm 5\%$) dans une marge d'HR de 30% à 90%. Dans le cas contraire, affiche la sélection lors de la programmation de l'humidité ou de la minuterie.
8. **Confort** : Cette fonction vous permet de garder le confort en réglant le niveau d'humidité automatiquement selon le réglage de la température. Le niveau d'humidité ne peut pas être ajusté lorsque l'appareil est sous la fonction de « Confort ».

Remarque : Le ventilateur ne s'éteindra pas au moment où vous retirez le récipient, mais plutôt après 2-3 minutes.



Consignes d'utilisation

FONCTIONS DE TÉMOIN

Remarque : En fonction des conditions d'humidité du milieu ambiant, le démarrage automatique du déshumidificateur peut ne pas fonctionner lorsque vous appuyez sur le bouton « marche/arrêt » (reportez-vous aux consignes du mode de déshumidification pour obtenir de plus amples détails).

9. Témoin indicateur du réservoir plein : Lorsque le réservoir est plein ou mal placé dans le coffre, le témoin de remplissage d'eau s'allume et reste allumé jusqu'à ce que le réservoir soit vidé ou remis dans la bonne position. Cette condition entraînera un arrêt immédiat du système de déshumidification (le fonctionnement du compresseur et du ventilateur s'arrête). C'est un dispositif de sécurité. Quand le réservoir est vidé ou remis dans la bonne position, le déshumidificateur se remet automatiquement en marche. **Remarque :** Il peut falloir plusieurs minutes pour retourner aux conditions de fonctionnement.

10. Dégivrage automatique : Lorsque le givre s'accumule sur les serpentins de l'évaporateur, le cycle du compresseur s'arrêtera et le ventilateur continuera à fonctionner jusqu'à ce que le givre disparaisse.

REMARQUE :

Réglage de la mémoire : Chaque fois que vous branchez/débranchez l'appareil ou en cas de panne de courant, le circuit électronique se remet automatiquement par défaut au dernier programme utilisé. Après l'arrêt de l'appareil, il peut falloir plusieurs minutes pour retourner aux conditions de fonctionnement.

Redémarrage automatique : Si l'appareil s'arrête de manière imprévue à cause d'une panne de courant, il redémarrera automatiquement avec les réglages précédents lorsque le courant revient.

CODES D'ERREUR

AS - Erreur du détecteur d'humidité -- Débranchez l'appareil et rebranchez-le. Si l'erreur se répète, veuillez contacter un technicien.

ES - Erreur du détecteur de température -- Débranchez l'appareil et rebranchez-le. Si l'erreur se répète, veuillez contacter un technicien.

P2 (ou Eb) - Le réservoir est plein ou le réservoir n'est pas en bonne position -- Videz le réservoir ou réglez sur la position appropriée.

EC - Assurez-vous que la température ambiante de la pièce correspond à la température recommandée pour le fonctionnement optimal de l'appareil 5°C (41°F) - 35°C (95°F). Si la température correspond à cet intervalle, veuillez contacter un technicien.

E3 - L'appareil ne fonctionne pas, débranchez l'appareil et rebranchez-le. Si l'erreur se répète, veuillez contacter un technicien.

MINUTERIE FONCTIONS

Suivez ces étapes pour programmer la fonction de démarrage et d'arrêt automatiques sur le panneau de commande :

Arrêt automatique :

1. Quand l'appareil est allumé que vous appuyez sur bouton MINUTERIE, le témoin de minuterie s'allume et indique le programme d'arrêt automatique est activé.
2. Maintenez le bouton HAUT ou BAS enfoncé pour modifier la durée « automatique » par incréments de 0,5 heure, jusqu'à 10 heures (puis par incréments d'une heure jusqu'à 24 heures). La commande de l'appareil comptera le temps restant jusqu'au démarrage.
3. Dans les 5 secondes suivant le réglage de l'arrêt automatique, appuyez à nouveau sur le bouton MINUTERIE pour exécuter le programme d'arrêt automatique.

Démarrage automatique :

4. Quand l'appareil est éteint et que vous appuyez sur le bouton MINUTERIE, le programme de démarrage automatique est lancé. Réglez le temps d'ici le démarrage automatique comme à l'étape 2 ci-dessus. Dans les 5 secondes suivant le réglage du démarrage automatique, appuyez à nouveau sur le bouton MINUTERIE pour terminer le programme d'arrêt automatique.

Remarque : Lorsque les temps de démarrage et d'arrêt automatiques sont réglés, dans le même ordre de programmation, les témoins de la MINUTERIE MARCHE ARRÊT sont désormais programmés.

Remarque : Le DÉMARRAGE ou l'ARRÊT à n'importe quel moment, la modification du réglage de la minuterie marche/arrêt pour 0,0 et un code d'erreur P2 annuleront la fonction de démarrage/arrêt automatique.



Consignes d'utilisation

FUNCTIONNEMENT DU RÉSERVOIR D'EAU

Le réservoir d'eau contient l'eau condensée accumulée. À l'aide d'un interrupteur de sécurité, il contrôle le niveau d'eau et le fonctionnement du processus de déshumidification - par exemple, lorsque le réservoir d'eau est plein ou accidentellement déplacé dans le coffre, le flotteur (à l'intérieur du réservoir) n'est plus en contact avec l'interrupteur de sécurité. Cette condition entraînera un arrêt immédiat du compresseur et du moteur du ventilateur, ce qui évite une condensation de l'humidité.

Remarque : Sur certains modèles, le ventilateur continue de fonctionner pendant environ 2-3 minutes une fois que l'appareil a été arrêté et le réservoir retiré. Par conséquent, de l'eau risque de s'écouler du plateau sur la base de l'appareil, puis sur le sol. Veuillez vous assurer que vous avez bien protégé vos parquets et moquettes contre ce genre de fuite.



IMPORTANT

Ne modifiez jamais, ni ne tentez de contrecarrer le système d'interrupteur à flotteur du niveau d'eau (système de sécurité). Il est primordial de bien installer le réservoir d'eau pour maintenir un fonctionnement fiable du déshumidificateur.

DÉSHUMIDIFICATION

La déshumidification est un moyen d'éliminer l'humidité dans l'air. Un déshumidificateur aidera à protéger votre maison et vos précieuses possessions contre les dommages (gonflement) causé par l'humidité dans l'air. Fondamentalement, un déshumidificateur élimine l'humidité dans l'air lorsque l'air humide passe sur un serpentin déshumidificateur (évaporateur). L'humidité est condensée sur le serpentin évaporateur, drainée et recueillie à l'intérieur d'un réservoir d'eau interne (amovible) situé à l'avant de l'appareil. L'air évacué dans la pièce est élevé de plusieurs degrés, ce qui fait augmenter (légèrement) la température ambiante de l'air. Ce processus contribue également à réduire l'humidité relative de l'air ambiant.

Remarque : Pour assurer une performance optimale, veuillez vérifier que l'humidité de l'appareil soit réglée à un minimum de 10% de moins que le niveau d'humidité relative. Il est normal que l'humidité varie de 5% de plus ou de moins que le niveau d'humidité réglée. Il est recommandé que l'humidité soit réglée à 40-45% dans des conditions normales.

CONSIGNES RELATIVES AU MODE DE DÉSHUMIDIFICATION

Lorsque l'appareil est branché pour la première fois à la prise électrique, le témoin (vert) ne s'allumera pas avant que vous appuyiez sur le bouton « marche / arrêt ». Lorsque vous appuyez sur le bouton « marche / arrêt », le témoin s'allume et le déshumidificateur se met par défaut en mode :

Affichage : Humidité ambiante actuelle de la pièce (%HR)



Réglage de l'humidité : HR de 60%

Vitesse du ventilateur : Élevée

Remarque : En fonction des conditions d'humidité du milieu ambiant, le déshumidificateur peut ne pas démarrer automatiquement selon le réglage par défaut (c'est un signe que le niveau d'humidité du milieu ambiant est inférieur au réglage par « défaut » d'HR de 60%). Par conséquent, il peut être nécessaire de faire défiler chaque réglage différent du déshumidificateur de 35% - 55% jusqu'à ce que « l'humidostat » (capteur) détermine des conditions qui permettront à l'appareil de fonctionner.

Sélection du mode de déshumidification :

1. L'appareil passe en mode de déshumidification lorsque vous appuyez sur le bouton « marche/arrêt ».

2a. Appuyez sur les boutons   pour choisir la valeur opérationnelle d'HR (35%-85%).

OU

2b. Appuyez sur le bouton MODE CONTINU. Quand le mode CONTINU est choisi, l'humidostat (capteur) sera contourné et le compresseur fonctionnera sans interruption sans égard aux conditions d'humidité.

Sélection de la vitesse du ventilateur :

3. Vous pouvez choisir la vitesse du ventilateur (normale/turbo) à l'aide du clavier. La vitesse que vous sélectionnez est indiquée par le témoin (allumé) qui se trouve directement au-dessus de votre choix.



Consignes d'utilisation

FILTRE À AIR

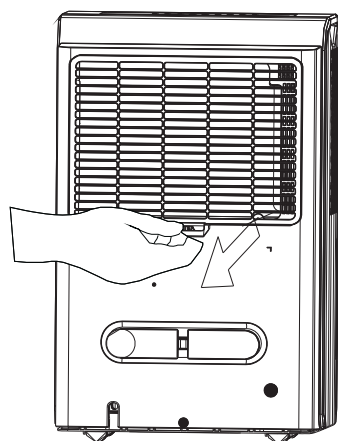
REMARQUE : Toutes les photographies du manuel ne sont qu'à titre d'explication. La forme réelle de l'appareil que vous avez acheté peut être légèrement différente, mais les commandes et les fonctions sont identiques.

Les fonctions de votre déshumidificateur comprennent un filtre à air, à l'avant de l'appareil (derrière la grille d'entrée d'air) directement au-dessus du réservoir d'eau. Le filtre à air joue un rôle important dans la réduction des particules de poussière dans le milieu ambiant. Un filtre à air bloqué/obstrué réduit l'entrée d'air, ce qui a une incidence négative sur l'efficacité. Pour maintenir une efficacité de fonctionnement optimale, le filtre doit être vérifié et nettoyé régulièrement (toutes les 2 semaines) ou quand le témoin de vérification du filtre s'allume. Un nettoyage plus fréquent peut être nécessaire en fonction de la qualité de l'air intérieur.

Important : Ne faites jamais fonctionner l'appareil sans le filtre à air.

ENLEVER LE FILTRE À AIR :

1. Tirez le filtre.
2. Nettoyez le filtre avec un aspirateur ou lavez-le à l'eau tiède avec un détergent doux. Séchez-le bien avant de le réinstaller.
3. Pour réinstaller le filtre à air, faites-le glisser derrière dans les rails et poussez vers l'intérieur.

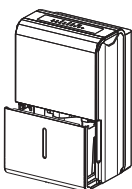




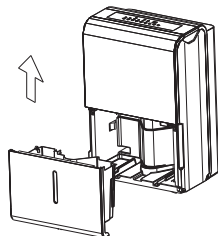
Consignes d'utilisation

ENLÈVEMENT DE L'EAU RECUEILLIE

1. Tirez un peu le réservoir.



2. Tenez les deux côtés du réservoir avec une égale et tirez-le en dehors de l'appareil.



3. Jetez l'eau.

Il y a deux manières d'enlever l'eau recueillie.

1. Utilisez le réservoir

Quand l'appareil est éteint, si le réservoir est plein, l'appareil émettra un signal sonore 8 fois, le témoin de remplissage du réservoir clignotera et l'affichage numérique indiquera P2.

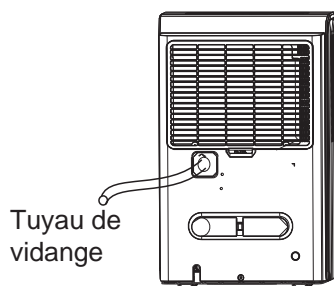
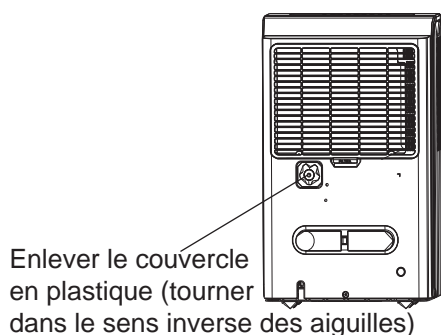
Quand l'appareil est allumé, si le réservoir est plein, le compresseur s'éteint et le ventilateur s'éteint après avoir séché l'eau sur le condensateur pendant 30 secondes. Ensuite, l'appareil émettra un signal sonore 8 fois et le témoin de remplissage du réservoir plein, retirez-le lentement du déshumidificateur. Saisissez bien les poignées gauche et droite et retirez-le soigneusement en position verticale pour que l'eau ne se renverse pas. Ne mettez pas le réservoir sur le plancher parce que le fond est inégale. Sinon, le réservoir basculera et l'eau se renversera. Jetez l'eau et remettez le réservoir dans l'appareil. Le réservoir doit être en place et bien positionné pour que le déshumidificateur fonctionne. L'appareil se remettra en marche quand le réservoir est remis dans la bonne position.

Remarque : Lorsque vous enlevez le réservoir, ne touchez aucune partie à l'intérieur de l'appareil. Sinon, vous pouvez endommager le produit. Soyez sûr de pousser doucement le réservoir tout au fond de l'appareil. Si vous cognez le réservoir contre quelque chose ou si vous ne le poussez pas bien dedans, il se peut que l'appareil ne fonctionnera pas. Lorsque vous enlevez le réservoir, s'il y a de l'eau à l'intérieur de l'appareil, vous devez le sécher.

2. Vidange continue

L'eau peut être automatiquement vidée dans un siphon de sol en connectant l'appareil avec un tuyau d'arrosage flexible de diam. int. $\geq 7,94$ mm (5/16 po) avec un embout fileté femelle M=1 (non inclus, un tuyau d'arrosage standard fonctionne bien). Installez le tuyau de vidange. Enlevez le couvercle en plastique de la sortie de drainage à l'arrière de l'appareil et mettez-le de côté. Enlevez le réservoir, puis insérez le tuyau de drainage à travers la sortie de vidange de l'appareil et appuyez fermement sur le connecteur à l'avant de l'appareil.

Installez l'extrémité fileté femelle du tuyau au siphon de sol ou à une installation de drainage appropriée. Assurez-vous que le tuyau est bien connecté de sorte qu'il n'y ait pas de fuite. Dirigez le tuyau vers le drain, en veillant à ce qu'il n'y ait pas de nœud qui arrête le passage de l'eau. Placez l'extrémité du tuyau dans le drain et assurez-vous que l'extrémité du tuyau est au même niveau ou en pente afin de permettre que l'eau s'écoule facilement. Remettez le réservoir dans l'appareil et assurez-vous qu'il est bien placé. Sélectionnez le réglage d'humidité souhaité et la vitesse du ventilateur de l'appareil pour démarrer la vidange continue.

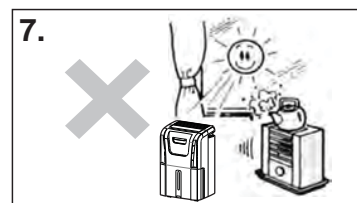
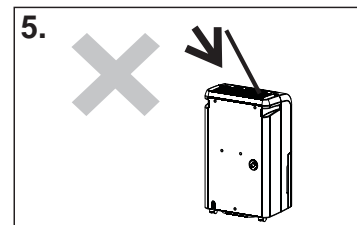
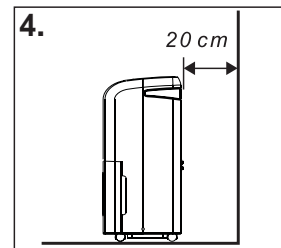
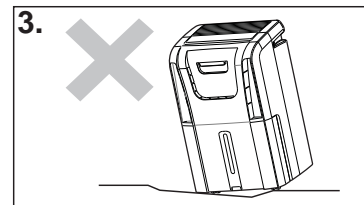
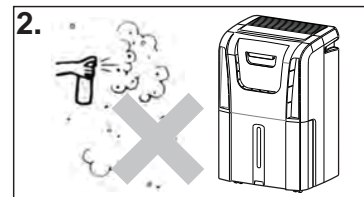
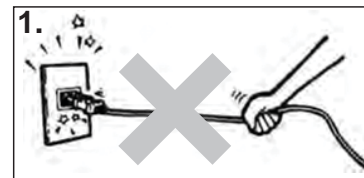




Consignes d'utilisation

PRÉCAUTION

1. NE PAS tirer sur le cordon d'alimentation afin d'éviter la rupture, des dangers potentiels ou des blessures.
2. NE PAS utiliser d'huile à insecte ou de la peinture en vaporisateur autour de l'appareil : cela pourrait causer du dommage aux pièces de plastique ou faire démarrer un incendie.
3. NE PAS placer l'appareil sur un plancher inégal pour éviter le tremblement, le bruit et les fuites d'eau.
4. Toujours garder l'appareil à 20 cm ou plus d'un mur afin de dissiper la chaleur correctement.
5. NE LAISSEZ RIEN tomber dans l'appareil.
6. Fermez toutes les fenêtres afin de laisser le plus d'efficacité possible pour l'enlèvement de l'humidité.
7. Gardez l'appareil loin de toute source de chaleur.
8. Lors du déplacement ou de l'entreposage, ne placez pas le déshumidificateur sur le côté ou à l'envers et évitez les secousses violentes.





Soins et entretien

NETTOYAGE



AVERTISSEMENT

1. Veillez à débrancher l'appareil avant de le nettoyer ou de procéder à son entretien.
2. N'utilisez pas d'essence, de diluant ou d'autres produits chimiques pour nettoyer l'appareil.
3. Ne lavez pas l'appareil directement sous le robinet ou à l'aide d'un tuyau : vous pourriez vous électrocuter ou causer un incendie.
4. Si le cordon d'alimentation est endommagé, il doit être réparé par le fabricant ou l'un de ses représentants de l'entretien.

1. Nettoyez la grille et le coffre

Utilisez de l'eau et un détergent doux. N'utilisez pas d'eau de javel, ni de produits abrasifs. Ne projetez pas d'eau directement sur l'appareil principal. Cela risquerait de provoquer un choc électrique, de causer la détérioration de l'isolation ou de rouiller l'appareil. Les grilles d'entrée et de sortie d'air deviennent sales facilement, dans ce cas utiliser un aspirateur ou une brosse de nettoyage.

2. Nettoyer le réservoir

À quelques semaines d'intervalle, nettoyez le réservoir pour empêcher la croissance de moisissures et de bactéries. Remplissez partiellement le réservoir avec de l'eau propre et ajoutez un peu de détergent doux. Remuez le mélange dans le réservoir, videz-le et rincez-le. **Remarque** : Ne lavez pas le réservoir au lave-vaisselle. Après le nettoyage, le réservoir doit être mis en place et bien placé pour que le déshumidificateur fonctionne.

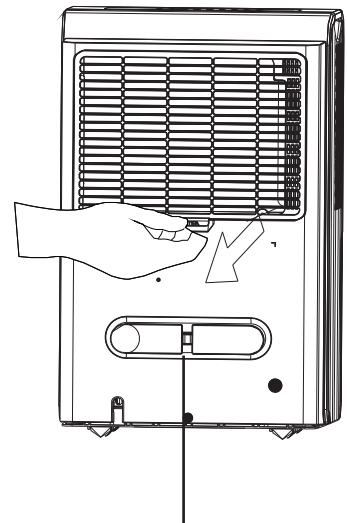
3. Nettoyer le filtre à air

Enlevez et nettoyez le filtre toutes les deux semaines en fonction de des conditions de fonctionnement normales.

Mise en garde : **NE FAITES PAS fonctionner le déshumidificateur sans filtre, car la poussière et les peluches l'obstrueront et affecteront son rendement.**

4. Lorsque vous n'utilisez pas l'appareil pendant de longues périodes de temps

Après l'arrêt de l'appareil, attendez une journée avant de vider le réservoir. Nettoyez l'appareil principal, le réservoir d'eau et le filtre à air. Couvrez l'appareil avec un sac en plastique. Enroulez le cordon autour de la boucle Entreposez l'appareil en position verticale dans un endroit sec et bien aéré.



Cordon boucle

Dépannage

De temps en temps, un problème est mineur et un appel de service peut ne pas être nécessaire. Utilisez ce guide de dépannage pour trouver une solution possible. Si l'unité continue de fonctionner incorrectement, appelez un dépôt de service autorisé ou le **numéro sans frais de Danby** pour obtenir de l'assistance.

Tel: 1-800-26-**Danby**® (1-800-263-2629)

PROBLÈME	CAUSE POSSIBLE	SOLUTION
Le déshumidificateur ne se met pas en marche	<ul style="list-style-type: none"> Le déshumidificateur est débranché Le fusible est grille/le disjoncteur est déclenché Le déshumidificateur à atteint son niveau pré-régle ou le seau est plein Le seau n'est pas remis en place au bon endroit Panne de courant 	<ul style="list-style-type: none"> Assurez-vous que la fiche du déshumidificateur est complètement enfoncée dans la prise Vérifiez la boîte à fusibles / à disjoncteurs de la maison; remplacez le fusible ou réinitialisez le disjoncteur Le déshumidificateur s'éteint automatiquement dans l'un ou l'autre cas. Passez à un réglage moins élevé ou videz le seau et remettez-le en place Le seau doit être en place et bien installé pour que le déshumidificateur fonctionne. Il y a un délai de protection (maximum de 3 minutes) pour empêcher que le protecteur de surcharge du compresseur se déclenche. Pour cette raison, il est possible que l'appareil ne reprenne pas son fonctionnement normal pendant 3 minutes après avoir été remis en marche
Le déshumidificateur n'assèche pas l'air comme il le devrait	<ul style="list-style-type: none"> Une période insuffisante a été allouée pour enlever l'humidité La circulation de l'air est bloquée Le filtre est sale Le contrôle de l'humidité n'est peut-être pas réglé assez bas Il est possible que les portes et les fenêtres ne soient pas bien fermées La sécheuse souffle peut-être de l'air humide dans la pièce La température de la pièce est trop basse 	<ul style="list-style-type: none"> Lorsque l'appareil vient d'être installé, allouez au moins 24 heures pour atteindre la déshumidification souhaitée Assurez-vous qu'il n'y a pas de rideaux, de stores ou de meubles qui bloquent l'avant ou l'arrière du déshumidificateur. Voir la section « L'emplacement » Voir la section « Filtre à air » Pour obtenir un air plus sec, appuyez sur la touche V et réglez un pourcentage plus bas (%) Assurez-vous que les portes, les fenêtres et les autres ouvertures sont bien fermées Installez le déshumidificateur à l'écart de la sécheuse. L'air de la sécheuse doit être évacué à l'extérieur. Les températures plus élevées sont préférables pour la déshumidification de l'air. Les températures moins élevées réduisent le taux de déshumidification. Les modèles sont conçus pour être utilisés à des températures supérieures à 5°C (41°F)
Le déshumidificateur fonctionne trop	<ul style="list-style-type: none"> La pièce à déshumidifier est trop grande Les portes et les fenêtres sont ouvertes 	<ul style="list-style-type: none"> La capacité de votre déshumidificateur ne suffit peut-être pas Fermez toutes les portes et les fenêtres qui donnent sur l'extérieur
Apparition de givre sur les serpentins	<ul style="list-style-type: none"> L'appareil vient d'être mis en marche ou la température de la pièce est inférieure à 5°C (41°F) 	<ul style="list-style-type: none"> Cela est normal. Le givre disparaît normalement en moins de 60 minutes. Voir la section « Dégivrage automatique »



Dépannage (suite)

PROBLÈME	CAUSE POSSIBLE	SOLUTION
Les commandes ne peuvent pas être réglées	<ul style="list-style-type: none">Le compresseur s'arrête et le ventilateur continue automatiquement à fonctionner pendant environ 3 minutes au réglage sélectionné	<ul style="list-style-type: none">Cela est normal. Attendez environ 3 minutes, puis réglez le ventilateur à la vitesse souhaitée
Ventilateur bruyant	<ul style="list-style-type: none">L'air traverse le déshumidificateur	<ul style="list-style-type: none">Cela est normal
Présence d'eau sur le sol	<ul style="list-style-type: none">Le tuyau est peut-être mal raccordéVous voulez utiliser le seau pour recueillir l'eau, mais le tuyau est raccordé	<ul style="list-style-type: none">Vérifiez le raccordement du tuyau. Voir la section « drainage continu »Débranchez le tuyau si vous utilisez le seau pour recueillir l'eau. Voir la section « Drainage continu »

GARANTIE LIMITÉE SUR APPAREIL ÉLECTROMÉNAGER

Cet appareil de qualité est garanti exempt de tout vice de matière première et de fabrication, s'il est utilisé dans les conditions normales recommandées par le fabricant.

Cette garantie n'est offerte qu'à l'acheteur initial de l'appareil vendu par Danby Products Limited (Canada) ou Danby Products Inc. (E.- U.A.) (ci-après « Danby ») ou par l'un des ses distributeurs agréés et elle ne peut être transférée.

CONDITIONS

Les pièces en plastique sont garanties pendant trente (30) jours seulement à partir de la date de l'achat, sans aucune prolongation prévue.

Premiers 24 mois Pendant les premiers vingt-quatre (24) mois, toutes les pièces fonctionnelles de ce produit qui s'avèrent défectueuses seront réparées ou remplacées, selon le choix du garant, sans frais à l'acheteur INITIAL.

Pour bénéficier du service Le client sera responsable pour le transport et tous les frais d'expédition de tout appareil exigeant le service au dépôt de service autorisé le plus proche. S'adresser au détaillant qui a vendu l'appareil, ou à la station technique agréée de service la plus proche, où les réparations doivent être effectuées par un technicien qualifié. Si les réparations sont effectuées par quiconque autre que la station de service agréée où à des fins commerciales, toutes les obligations de Danby en vertu de cette garantie seront annulées.

Limites de l'entretien à domicile Si l'appareil est installé à plus de 100 kilomètres (62 milles) du centre de service le plus proche, il doit être livré à l'atelier de réparation autorisé par Danby le plus proche, car l'entretien doit uniquement être réalisé par un technicien qualifié et certifié pour effectuer un entretien couvert par la garantie de Danby. Les frais de transport entre votre domicile et le lieu de l'entretien ne sont pas couverts par la présente garantie et doivent être acquittés par l'acheteur.

Aucune partie de la garantie ne prévoit implicitement que le fabricant sera tenu responsable des dommages subis par les aliments ou d'autres types de contenu, qu'ils soient causés par la défectuosité de l'appareil ou par son usage adéquat ou inadéquat.

EXCLUSIONS

En vertu de la présente, il n'existe aucune autre garantie, condition ou représentation, qu'elle soit exprimée ou tacite, de façon manifeste ou intentionnelle, par Danby ou ses distributeurs agréés. De même, sont exclues toutes les autres garanties, conditions ou représentations, y compris les garanties, conditions ou représentations en vertu de toute loi régissant la vente de produits ou de toute autre législation ou règlement semblables. En vertu de la présente, Danby ne peut être tenue responsable en cas de blessures corporelles ou des dégâts matériels, y compris à l'appareil, quelle qu'en soit les causes. Danby ne peut pas être tenue responsable des dommages indirects dus au fonctionnement défectueux de l'appareil. En achetant l'appareil, l'acheteur accepte de mettre à couvert et de dégager Danby de toute responsabilité en cas de réclamation pour toute blessure corporelle ou tout dégât matériel causé par cet appareil.

CONDITIONS GÉNÉRALES

La garantie ou assurance ci-dessus ne s'applique pas si les dégâts ou réparations sont dus aux cas suivants :

- 1) Panne de courant.
- 2) Dommages subis pendant le transport ou le déplacement de l'appareil.
- 3) Alimentation électrique incorrecte (tension faible, câblage défectueux, fusibles incorrects).
- 4) Accident, modification, emploi abusif ou incorrect de l'appareil tel qu'une circulation d'air inadéquate dans la pièce ou des conditions de fonctionnement anormales (température extrêmement élevée ou basse).
- 5) Utilisation dans un but commercial ou industriel (à savoir, si l'appareil n'est pas installé dans un domicile résidentiel).
- 6) Incendie, dommages causés par l'eau, vol, guerre, émeute, hostilités, cas de force majeure (ouragan, inondation, etc.).
- 7) Visites d'un technicien pour expliquer le fonctionnement de l'appareil au propriétaire.
- 8) Installation inappropriée (par exemple, encastrement d'un appareil autoportant, ou utilisation extérieure d'un appareil non conçu à cet effet). Une preuve d'achat doit être présentée pour toute demande de réparation sous garantie. Prière de garder le reçu. Pour faire honorer la garantie, présenter ce document à la station technique agréée ou s'adresser à :

Service sous garantie
En atelier

Danby Products Limited
PO Box 1778, Guelph, Ontario, Canada N1H 6Z9
Téléphone : (519) 837-0920 Télécopieur: (519) 837-0449

1-800-263-2629
0714

Danby Products Inc.
PO Box 669, Findlay, Ohio, U.S.A. 45840
Téléphone: (419) 425-8627 Télécopieur: (419) 425-8629

Bienvenido

Bienvenido a la familia Danby. Estamos orgullosos de nuestros productos de alta calidad y creemos en el servicio confiable. Usted lo podrá apreciar en este manual fácil de usar, y lo escuchará en las voces amistosas de nuestro departamento de servicio al consumidor. Sobre todo, usted apreciará estas ventajas cada vez que use su unidad. Eso es importante, ya que su nuevo artefacto formará parte de su familia por mucho tiempo.

Por favor escriba la siguiente información; esta información será necesaria si su unidad requiere servicio o para hacer consultas generales. Para recibir servicio técnico debe mostrar el recibo original.

Número de modelo: _____
Número de serie: _____
Fecha de la compra: _____

NECESITA AYUDA

Antes de solicitar servicio, hay algunas cosas que puede hacer para ayudarnos a servirle mejor:

Lea este manual:

Contiene instrucciones que lo ayudarán a mantener correctamente su unidad.

Si usted recibe un artefacto dañado:

Llame inmediatamente al distribuidor (o constructor) que se lo vendió.

Ahorre tiempo y dinero:

Lea la sección de Diagnóstico de problemas antes de llamar. Esta sección le ayudará a resolver problemas comunes que pudieran ocurrir.

Si necesita asistencia, no se preocupe y llámenos.





Instrucciones de seguridad importantes

LEA Y SIGA TODAS LAS INSTRUCCIONES DE SUGERIDAD

NOTA

Las instrucciones de **ADVERTENCIA** emitidas en este manual no tienen como objetivo cubrir todas las posibles condiciones y situaciones que puedan tener lugar. Las personas que instalan, realizan el mantenimiento u operan el aparato deben tener precaución y cuidado. No instalar, realizar el mantenimiento u operar el equipo de acuerdo con las instrucciones del fabricante puede llevar a condiciones que pueden producir lesiones personales y daño a su unidad o daños materiales. Comuníquese con su vendedor, agente de servicio o con el fabricante ante problemas o condiciones que no comprende totalmente. **Para comunicarse con el Servicio al cliente de Danby, llame al (1-800-263-2629).**

REQUISITOS ELÉCTRICOS

Para reducir el riesgo de incendio, descarga eléctrica o lesión personal, toda la instalación eléctrica y toda la conexión a tierra deben cumplir con la última edición de Local and National Electrical codes (Códigos locales y nacionales de electricidad).

- El cliente es responsable de hacer que un electricista calificado controle los cables y fusibles para garantizar que se encuentre disponible la energía eléctrica adecuada.
- Este artefacto está diseñado para funcionar en un circuito de 120 voltios 60 Hertz (corriente alterna), de 3 cables, polarizado, derivado de forma separada, con conexión a tierra eficaz, protegido por un fusible de 15 amperios, un fusible equivalente o un disyuntor. El enchufe de tres clavijas con conexión a tierra en el cable de alimentación debe enchufarse directamente a un receptáculo como el antes mencionado con potencia de 110/120 voltios de CA.
- No conecte el deshumidificador a una salida de tomacorriente múltiple que se utilice también para otros artefactos eléctricos.

PARA SU SEGURIDAD: Para reducir el riesgo de incendio o explosión, no almacene ni utilice gasolina ni otros vapores o líquidos inflamables cerca de este ni de ningún otro artefacto.

CONEXIÓN A TIERRA INSTRUCCIONES

Una conexión inadecuada del conductor de conexión a tierra del equipo puede dar como resultado un riesgo de descarga eléctrica. Verifique con un electricista calificado o con personal de servicio si tiene dudas respecto a si los enchufes de su artefacto tienen una buena conexión a tierra.

- Este artefacto debe conectarse a tierra. En el caso de un mal funcionamiento o avería, la conexión a tierra reducirá el riesgo de descarga eléctrica, ya que dará una vía de menor resistencia para la corriente eléctrica. Este artefacto está equipado con un cable que posee un conductor de conexión a tierra del equipo y un enchufe de conexión a tierra de 3 clavijas. El enchufe debe conectarse a un tomacorriente que esté correctamente instalado y conectado a tierra en cumplimiento con todos los códigos y ordenanzas locales.
- No modifique el enchufe que se provee con este artefacto. Si no concuerda con el tomacorriente, llame a un electricista calificado para que le instale un tomacorriente adecuado.
- Si el suministro eléctrico del hogar no cumple con las especificaciones antes mencionadas o si no está seguro de que su hogar tenga una conexión a tierra eficaz, llame a un electricista calificado o a la empresa de servicios eléctricos local para que lo verifiquen y lo corrijan en caso de problemas.

GUARDE ESTAS INSTRUCCIONES



Instrucciones de seguridad importantes **LEA Y SIGA TODAS LAS INSTRUCCIONES DE SUGERIDAD**

PRECAUCIONES DE SEGURIDAD

Al usar este deshumidificador, siga siempre las precauciones de seguridad básicas, incluidas las siguientes:

- Utilice este artefacto solamente para su uso previsto según se describe en este Manual del propietario.
- No remueva la espuma de estireno del recipiente ya que funciona como un flotador para el nivel de agua.
- Este deshumidificador debe estar correctamente instalado y conectado a tierra según se describe en este manual antes de su uso.
- Nunca haga funcionar este deshumidificador en un área que pueda acumular agua estancada. Si se da esta condición, para su seguridad, desconecte el suministro de electricidad antes de pisar el agua.
- Nunca tire del cable de alimentación para desenchufar el deshumidificador. Tome siempre el enchufe con firmeza y tire de él en línea recta para quitarlo del receptáculo.
- Reemplace de inmediato todos los cables de servicio eléctrico que se hayan pelado o dañado de alguna otra forma. Se debe reemplazar, y no reparar, un cable de suministro de energía dañado con un nuevo cable de suministro de energía que se obtenga del fabricante. No utilice un cable que presente grietas o daños por abrasión en cualquier parte o en el extremo del enchufe o del conector.
- Si el receptáculo no coincide con el enchufe, un electricista calificado debe cambiar el receptáculo.
- Apague y desenchufe el deshumidificador antes de limpiarlo.
- Para su seguridad, no almacene ni utilice materiales combustibles, gasolina ni otros vapores o líquidos inflamables cerca de este o cualquier otro artefacto.
- Todos los deshumidificadores contienen refrigerantes, los que según las leyes federales deben extraerse antes de desechar el producto. Si se deshace de un producto con refrigerantes, controle con la empresa que se encarga de los desechos para saber qué hacer. Revise el cumplimiento regulatorio local respecto del desechado aprobado y seguro de este aparato.
- No utilizar en el exterior.
- Este deshumidificador está previsto para aplicaciones interiores hogareñas únicamente. Este deshumidificador no debe usarse para aplicaciones comerciales ni industriales.

GUARDE ESTAS INSTRUCCIONES

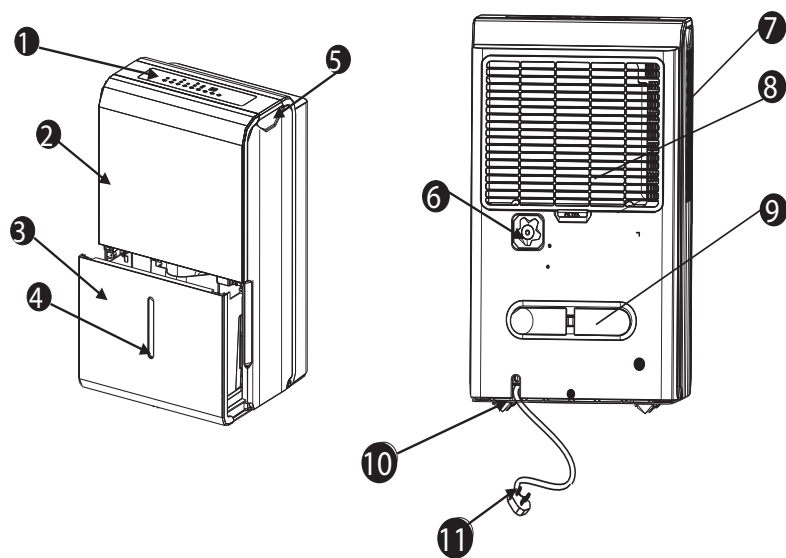


Instrucciones d'instalación

UBICACIÓN

- Seleccione una ubicación adecuada; asegúrese de tener fácil acceso a un tomacorriente eléctrico (evite el uso de cables de extensión).
- Asegúrese de que no haya obstrucciones que limiten el flujo de aire a través de la rejilla de entrada de aire frontal. Mantenga un espacio libre mínimo de al menos 20 cm (8 in) entre las paredes adyacentes y la parte trasera de la unidad para permitir una correcta circulación de aire y una máxima eficacia. Para obtener la máxima eficacia de funcionamiento de su deshumidificador, las temperaturas de funcionamiento (temperatura ambiente) recomendadas deben encontrarse entre los 5 °C (41 °F) y los 35 °C (95 °F).
- Es importante recordar que la eficacia de un deshumidificador se verá afectada o influenciada por la velocidad en que se permite que el nuevo aire húmedo (humedad) infiltre el mismo espacio o área. Para mantener la eficacia, el deshumidificador debe funcionar en un área cerrada. Mantenga todas las puertas y ventanas cerradas.
- No utilice esta unidad al aire libre. Este deshumidificador está previsto para aplicaciones interiores hogareñas únicamente. Este deshumidificador no debe utilizarse para aplicaciones comerciales ni industriales.
- Coloque el deshumidificador en un piso parejo y nivelado que sea lo suficientemente resistente como para soportar la unidad con una cubeta llena de agua.
- Coloque la unidad donde se tenga acceso a un tomacorriente eléctrico.
- Esta unidad tiene 4 ruedecillas que pueden moverse libremente. No fuerce el movimiento de las ruedas sobre la alfombra y absténgase de mover la unidad con agua en la cubeta (la unidad puede volcarse y derramarse el agua). Proteger los pisos de madera de posibles derrames o rayones al mover la unidad.
- Extraiga la bolsa de accesorios de la cubeta y guárdela en un lugar seguro.

CARACTERÍSTICAS



1. Panel de control
2. Panel frontal
3. Cubeta de agua
4. Ventana de nivel de agua
5. Manija (ambos lados)
6. Salida de manguera de drenaje
7. Rejilla de salida de aire
8. Filtro de aire
9. Cable de alimentación y enchufe
10. Ruedecilla
11. Bandita (solo para almacenar la unidad)

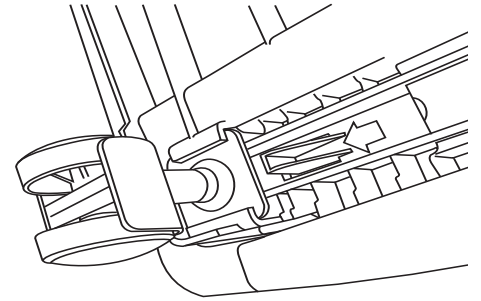


Instrucciones operadoras

INSTALACIÓN DE LAS RUEDECILLAS (algunos modelos)

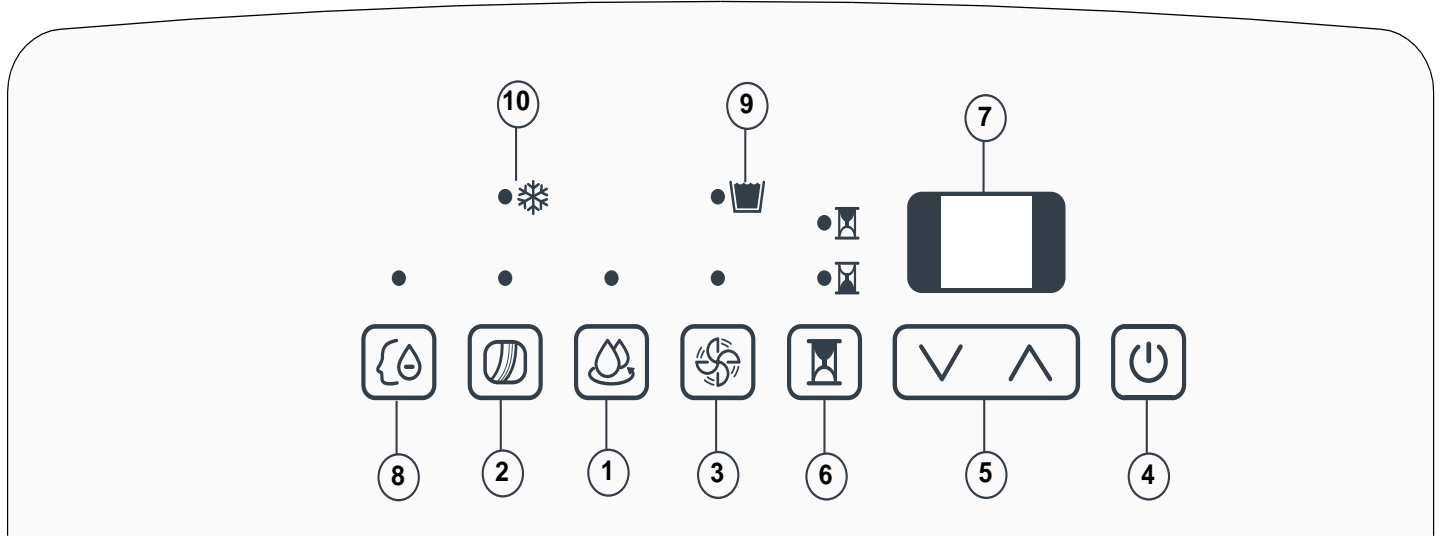
Se recomienda instalar las ruedecillas para evitar el daño de los pisos.

1. Retire las ruedecillas de la cubeta del deshumidificador.
2. Coloque el deshumidificador sobre su lado.
3. Ubique la flecha en la parte inferior del deshumidificador e inserte siguiendo la dirección de la flecha.
4. Deslice la ruedecilla hasta donde se pueda. La ruedecilla se enganchará en su lugar.
5. Repita los pasos 1 a 4 para las otras 3 ruedecillas.



INSTRUCCIONES DEL PANEL DE CONTROL

NOTA: El panel de control de la unidad que adquirió puede diferir un poco dependiendo del número de modelo.



Al presionar el botón para cambiar los modos de funcionamiento, la unidad emitirá un pitido para indicar que está cambiando los modos.

1. **Botón para constante:** Presione este botón para activar el funcionamiento constante del deshumidificador.
2. **Botón del filtro:** Este producto tiene una función de control de filtro que sirve como recordatorio para limpiar el filtro de aire para un funcionamiento más eficaz. La luz de control de filtro se iluminará luego de 250 horas de funcionamiento. Para restablecer esta función luego de limpiar el filtro, presione el botón para restablecer el filtro y la luz se apagará.
3. **Botón del ventilador:** Controla la velocidad del ventilador. Presione este botón para seleccionar la velocidad alta (turbo) o normal del ventilador. Establezca el control del ventilador en alto para una máxima extracción de la humedad. Una vez extraída la humedad y si se prefiere un funcionamiento silencioso, establezca el control del ventilador nuevamente en normal.
4. **Botón de encendido:** Presione este botón para encender y apagar el deshumidificador.
5. **Botones (∧ / ∨):** El nivel de humedad puede establecerse dentro de un rango de entre 35% de HR (humedad relativa) y 85% de HR con incrementos de 5% mediante estos botones. Para un aire más seco, presione el botón (∨) y establezca un valor porcentual (%) más bajo. Para un aire más húmedo, presione el botón (∧) y establezca un valor porcentual (%) más alto.
6. **Botón del temporizador:** Presione este botón para iniciar la función de arranque automático y detención automática. Establezca una hora de inicio de detención de 0,0 a 24 horas mediante las teclas (∧) y (∨).
7. **Pantalla:** Muestra el verdadero nivel de humedad ambiente ($\pm 5\%$ de precisión) en un rango de entre 30% de HR y 90% de HR. De no ser así, muestra la selección al programar la humedad o el temporizador.
8. **Confort:** Esta función le permite mantener la comodidad, ajustando el nivel de humedad de forma automática de acuerdo con el ajuste de la temperatura. El nivel de humedad no se puede ajustar en esta opción.

Nota: El ventilador no se apaga ni bien remueve el recipiente, el ventilador se apaga 2-3 minutos después.



Instrucciones operadoras

FUNCIONES DE LA LUZ INDICADORA

Nota: Según las condiciones de humedad en el entorno, el deshumidificador quizás no arranque automáticamente al presionar el botón de encendido y apagado (consulte las instrucciones de modos del deshumidificador para obtener detalles).

9. Luz indicadora de cubeta llena: Cuando la cubeta está llena o mal colocada dentro del gabinete, la luz de cubeta llena se enciende y permanece encendida hasta que se vacía la cubeta o hasta que se la vuelve a colocar en su posición correcta. Esta condición hará que el sistema de deshumidificación se apague de inmediato (se finalizan el funcionamiento del motor del ventilador y del compresor). Esta es una función de seguridad. Cuando se vacía la cubeta o se la vuelve a colocar correctamente, el deshumidificador retomará su funcionamiento automáticamente.

NOTA: Puede tardar varios minutos antes de que se retomen las condiciones de funcionamiento.

10. Descongelamiento automático: Cuando se acumula escarcha en las bobinas del evaporador, el compresor termina su ciclo y el ventilador sigue funcionando hasta que desaparece la escarcha.

NOTA :

Ajuste de la memoria: Cada vez que desconecta o vuelve a conectar la unidad o en el caso de un corte de luz, el tablero de circuito electrónico automáticamente queda en el último ajuste de programa que se usó. Luego de que la unidad se detuvo, puede tardar varios minutos antes de retomar las condiciones de funcionamiento.

Reinicio automático: Si la unidad se apagó inesperadamente debido a un corte de luz, se reiniciará automáticamente al volver la luz con el ajuste de función anterior.

CÓDIGOS DE ERROR

AS - Error del sensor de humedad. Desenchufe la unidad y enchúfela nuevamente. Si el error se repite, llame para obtener servicio.

ES - Error del sensor de temperatura. Desenchufe la unidad y enchúfela nuevamente. Si el error se repite, llame para obtener servicio.

P2 (o Eb) - La cubeta está llena o no está en la posición correcta. Vaciar la cubeta o ajustarla en la ubicación adecuada.

EC - Asegurese que la temperatura ambiente coincide con la temperatura recomendada para la correcta operación de la unidad, 5°C (41°F) - 35°C (95°F). Si la temperatura está dentro de este rango, llame para obtener servicio.

E3 - Mal funcionamiento de la Unidad, desenchufe la unidad y enchúfela nuevamente. Si el error se repite, llame para obtener servicio.

FUNCIONES DEL TEMPORIZADOR

Siga estos pasos para programar la función de encendido automático y apagado automático con el panel de control:

Apagado automático:

1. Cuando la unidad está encendida y se presiona el botón del TEMPORIZADOR, la luz indicadora de temporizador apagado indica que se inició el programa de apagado automático.
2. Presione o mantenga presionado el botón para AUMENTAR o DISMINUIR y así cambiar la hora del "automático" con incrementos de 0,5 horas, hasta 10 horas (luego con incrementos de 1 hora, hasta 24 horas). El control de la unidad hará el conteo para atrás del tiempo que resta hasta el inicio.
3. En los 5 segundos posteriores a haber establecido la hora de apagado automático, presione nuevamente el botón del TEMPORIZADOR para completar el programa de apagado automático.

Encendido automático:

4. Cuando la unidad está apagada y se presiona el botón del TEMPORIZADOR, se inicia el programa de encendido automático. Establezca la hora de encendido automático igual que en el paso 2 antes mencionado. En los 5 segundos posteriores a haber establecido la hora de encendido automático, presione nuevamente el botón del TEMPORIZADOR para completar el programa de encendido automático.

NOTA: Cuando se establecen las horas de encendido automático y apagado automático, dentro de la misma secuencia de programa, las luces indicadoras de TEMPORIZADOR ENCENDIDO APAGADO se iluminan para indicar que ya se encuentran programadas las horas de ENCENDIDO y de APAGADO.

NOTA: El encender o apagar la unidad en cualquier momento, el cambiar el ajuste del temporizador de encendido y apagado a 0,0 y un código de error P2 cancelarán al función de encendido o apagado automático.



Instrucciones operadoras

FUNCIONAMIENTO DEL TANQUE DE AGUA

El tanque de agua mantiene agua condensada acumulada y, por medio de un interruptor de seguridad, controla tanto el nivel de agua como el funcionamiento del proceso de deshumidificación (es decir, cuando el tanque de agua está lleno o de forma accidental se desplaza dentro del gabinete, el accionador del flotador [dentro del tanque] corta el contacto con el interruptor de seguridad). Esta condición apaga de inmediato el sistema del motor del compresor y del ventilador, lo que evita que se condense la humedad.

Nota: En algunos modelos, el ventilador continuará funcionando aproximadamente por 2 o 3 minutos después de que la unidad haya dejado de funcionar y que la cubeta se haya retirado. Como resultado, el agua puede gotear desde la bandeja hacia la base de la unidad, y luego al piso. Asegúrese de proteger del goteo sus pisos de madera y alfombrados.



IMPORTANTE

Nunca toque ni intente inutilizar el sistema del flotador para el nivel de agua (seguridad). Una correcta instalación del tanque de agua es fundamental para mantener un funcionamiento fiable del deshumidificador.

DESHUMIDIFICACIÓN

El deshumidificar es una forma de extraer la humedad del aire. Un deshumidificador ayudará a proteger a su hogar y a sus valiosas pertenencias de daños (hinchazón) ocasionados por la humedad en el aire. Fundamentalmente, un deshumidificador extrae la humedad del aire a medida que la humedad pasa por la bobina de deshumidificación (evaporador). la humedad se condensa en la bobina del evaporador, se drena y se recolecta dentro de un tanque de agua interno (desmontable) que está ubicado en la parte frontal de la unidad. El aire emanado que se regresa al entorno aumenta varios grados, lo que hace que se incremente (levemente) la temperatura del aire del entorno. Este proceso también contribuye a disminuir la humedad relativa del aire del entorno.

Nota: Para obtener el rendimiento óptimo, asegúrese de que la unidad esté ajustada por lo menos a un 10% menos que el nivel de humedad relativa. Es normal que la humedad varíe un 5% por encima y por debajo de la humedad seleccionada. Le recomendamos que, bajo condiciones normales, ajuste la humedad entre 40 y 45%.

MODO DE DESHUMIDIFICACIÓN INSTRUCCIONES

Cuando la unidad se conecta por primera vez al tomacorriente eléctrico, la luz de encendido (verde) no se encenderá hasta que no se presione el botón de encendido y apagado. Cuando se presiona el botón de encendido y apagado, la luz de encendido se enciende y el deshumidificador automáticamente queda de forma preestablecida en:

Pantalla: Humedad ambiente actual (HR%)

Ajuste de humedad: 60%HR

Velocidad del ventilador: Alta

Nota: Según las condiciones de humedad del entorno, el deshumidificador quizás no arranque automáticamente con el ajuste preestablecido (esto indica que el nivel de humedad del entorno es inferior al del ajuste "preestablecido" de 60% HR). Por lo tanto, quizás sea necesario deslizarse a través de cada ajuste diferente del deshumidificador de entre 35% y 55% hasta que el "humidistado" (sensor) identifique las condiciones que permitirán que la unidad funcione.

Selección de modo de deshumidificación:

1. La unidad ingresa al modo de deshumidificación cuando se presiona el botón de encendido y apagado.

2a. Presione los botones \wedge / \vee para seleccionar el valor de funcionamiento de HR deseado (entre 35% y 85%)



2b. Presione el botón de CONSTANTE. Cuando se selecciona el modo CONSTANTE, se ignora el humidistado (sensor) y el compresor funciona sin parar, sin importar las condiciones de humedad.

Selección de velocidad del ventilador:

3. Puede elegir una velocidad de ventilador (normal/turbo) con el teclado. La velocidad seleccionada se identifica con la luz indicadora (iluminada) que se encuentra directamente sobre la selección realizada.



Instrucciones operadoras

FILTRO DE AIRE

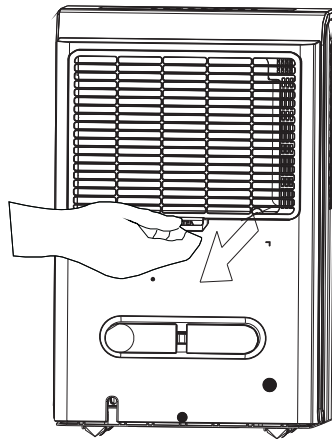
Nota: Todas las imágenes en el manual están presentes solo a modo explicativo. La forma real de la unidad que adquirió puede diferir un poco, pero las operaciones y las funciones son las mismas.

Su deshumidificador cuenta con un filtro de aire desmontable que se ubica en la parte frontal de la unidad (detrás de la rejilla de entrada de aire) directamente sobre el compartimento para el tanque de agua. El filtro de aire cumple un papel importante al ayudar a reducir las partículas de polvo o suciedad que provienen del entorno. Un filtro de aire bloqueado u obstruido reduce la entrada de aire, lo que tiene un impacto negativo en la eficacia de funcionamiento. Para mantener una máxima eficacia de funcionamiento, se debe controlar y limpiar el filtro con frecuencia (cada 2 semanas) o cuando se ilumina la luz de control de filtro. Se puede requerir una limpieza más frecuente según la calidad de aire del interior.

IMPORTANTE: Nunca haga funcionar la unidad sin el filtro de aire en su lugar.

EXTRACCIÓN DEL FILTRO DE AIRE:

1. Tire del filtro hacia abajo.
2. Limpie bien el filtro con una aspiradora o lávelo con agua tibia y detergente suave. Seque por completo antes de volver a instalarlo.
3. Para volver a instalar el filtro de aire, deslice la parte trasera del filtro dentro de los rieles y empuje hacia adentro.
4. Presione el botón para restablecer el filtro.

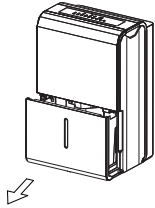




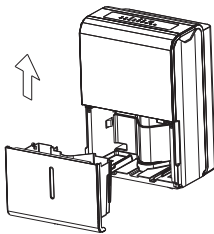
Instrucciones operadoras

EXTRACCIÓN DEL AGUA ACUMULADA

1. Tire un poco de la cubeta para quitarla. Hay dos formas de extraer el agua acumulada.



2. Sostenga ambos lados de la cubeta con la misma fuerza y jale de ella para quitarla de la unidad.



3. Tire el agua.

1. Usar la cubeta

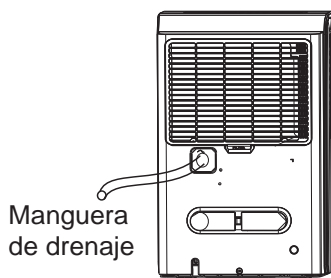
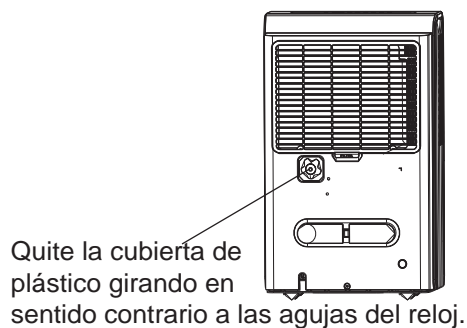
Al apagar la unidad, si la cubeta está llena, la unidad emite 8 pitidos, la luz indicadora de la cubeta llena parpadea y la pantalla digital muestra P2. Al encender la unidad, si la cubeta está llena, el compresor se apaga y el ventilador se apaga después de secar el condensador durante 30 segundos. Luego, la unidad emite 8 pitidos, la luz indicadora de cubeta leena parpadea y la pantalla digital muestra P2.

Para vaciar la cubeta llena, extraiga lentamente la cubeta. Tome las manijas derecha e izquierda firmemente y con cuidado tire en línea recta de manera tal que no se derrame agua. No coloque el tanque en el piso, ya que la parte de abajo de la cubeta es irregular. De lo contrario, la cubeta se caerá y se derramará el agua. Deseche el agua y regrese la cubeta a la unidad. La cubeta debe estar en su lugar y apoyada firmemente para que funcione el deshumidificador. La máquina se reiniciará cuando la cubeta se regrese a su posición correcta.

Nota: Cuando extraiga la cubeta, no toque ninguna pieza en el interior de la unidad. Si lo hace, puede dañar el producto. Asegúrese de empujar suavemente la cubeta hacia adentro de la unidad. Si se golpea la cubeta contra algo o si no se la fija bien, la unidad quizás no funcione. Cuando extraiga la cubeta, si queda algo de agua en la unidad, debe secarla. El botón de encendido parpadea cuando el recipiente no está colocado correctamente en su lugar.

2. Drenaje constante

El agua se puede vaciar de forma automática al drenaje del piso si se conecta la unidad a una manguera de agua $\geq 5/16$ in ID con extremo roscado hembra ID:M=1 (no incluido, una manguera de jardín estándar funciona bien). Instale la manguera de drenaje en el adaptador A como se muestra en B1. El adaptador se encuentra en la bolsa de accesorios que está en la cubeta. Extraiga la cubierta plástica de la salida de drenaje posterior de la unidad y déjela a un lado. Extraiga la cubeta, luego introduzca la manguera de drenaje a través de la salida de drenaje de la unidad y presione firmemente para introducirla en el conector que se encuentra en la parte frontal de la unidad (consulte B2 y B3).



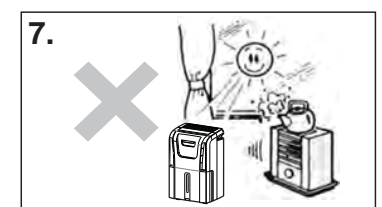
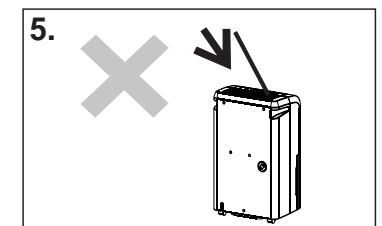
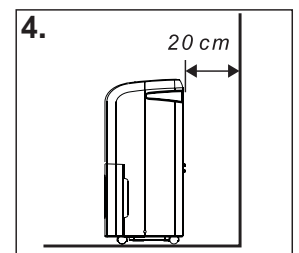
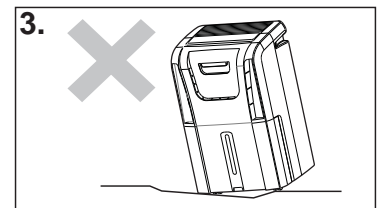
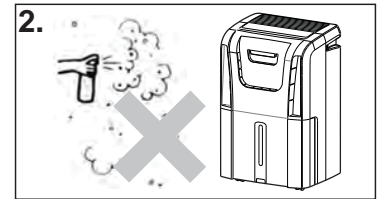
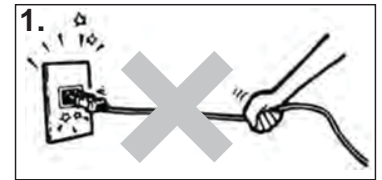
Ajuste el adaptador A y la unidad con dos tornillos (se encuentran en la bolsa del Manual del propietario). Instale el extremo roscado hembra de la manguera de drenaje dentro del adaptador A (consulte B4), luego dirija la manguera de agua hacia el drenaje del piso o hacia una instalación de drenaje adecuada. Asegúrese de que la manguera esté firme de manera tal que no haya pérdidas. Dirija la manguera hacia el drenaje; asegúrese de que no esté doblada lo que puede impedir que fluya el agua. Coloque el extremo de la manguera en el drenaje y asegúrese de que el extremo de la manguera esté parejo o en declive para permitir que el agua fluya sin problemas. Vuelva a colocar la cubeta en la unidad y asegúrese de que esté bien ubicada. Seleccione el ajuste de humedad y la velocidad del ventilador que desee en la unidad para que comience el drenaje constante.



Instrucciones operadoras

PRECAUCIONES

1. NO tire del cable de alimentación para evitar su ruptura, posibles peligros o lesiones.
2. NO use insecticida/aceite/pintura en aerosol cerca del aparato; estos elementos pueden dañar las piezas de plástico o provocar un incendio.
3. NO coloque la unidad sobre terreno irregular para evitar vibraciones, ruidos y derrames de agua.
4. Siempre mantenga la unidad a 20 cm de la pared o más para que el calor se disipe correctamente.
5. NO deje caer ningún objeto dentro del aparato.
6. Cierre todas las ventanas para permitir la máxima eficiencia posible para quitar la humedad.
7. Mantenga el aparato alejado de cualquier tipo de fuente de calor.
8. Cuando traslade o guarde el deshumidificador, no lo coloque de costado ni en posición invertida, para evitar que se bambolee.





Cuidado y mantenimiento

LIMPIEZA DE LA UNIDAD



IMPORTANTES

1. Asegúrese de desenchufar el aparato antes de la limpieza y el mantenimiento.
2. No use gasolina, benceno, diluyente de pintura ni ningún otro producto químico para limpiar esta unidad, estas sustancias dañarán/deformará los componentes de plástico y el acabado lustrado.
3. Nunca intente limpiar la unidad vertiendo agua directamente sobre ninguna de las áreas superficiales; esto provocará el deterioro de los componentes eléctricos y del aislamiento del cableado.
4. Si el cable eléctrico está dañado, póngase en contacto con el centro de servicio técnico inmediatamente.

1. Limpie la rejilla y la caja

Utilice agua y un detergente suave. No use lejía ni abrasivos. No arroje agua directamente a la unidad principal. Hacer esto puede provocar una descarga eléctrica, puede deteriorar la aislación o hacer que la unidad se herrumbre. Las rejillas de entrada y salida de aire se ensucian fácilmente, por lo tanto, use un accesorio de aspiradora o un cepillo para limpiarlas.

2. Limpie la cubeta

Cada algunas semanas, limpie la cubeta para evitar que crezcan moho, mildiú y bacterias. Llene una parte de la cubeta con agua limpia y añada un poco de detergente suave. Agite el agua en la cubeta, vacíe la cubeta y enjuáguela.

Nota: No utilice un lavavajillas para limpiar la cubeta. Después de la limpieza, la cubeta debe estar en su lugar y apoyada firmemente para que funcione el deshumidificador.

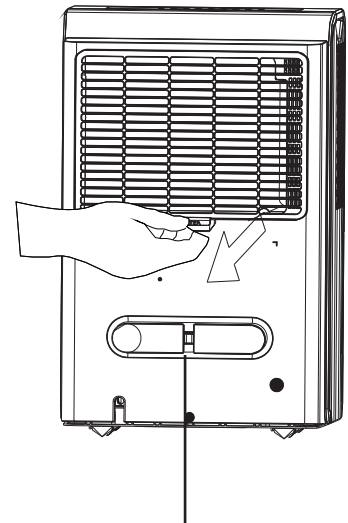
3. Limpie el filtro de aire

Extraiga y limpie el filtro cada dos semanas según las condiciones normales de funcionamiento.

Precaución: NO haga funcionar el deshumidificador sin un filtro, ya que la suciedad y las pelusas lo obstruirán y afectarán su rendimiento.

4. Cuando no use la unidad durante largos periodos

Luego de apagar la unidad, espere un día antes de vaciar la cubeta. Limpie la unidad principal, la cubeta de agua y el filtro de aire. Cubra la unidad con una bolsa plástica. Enrolle el cable y alrededor de la hebilla. Guarde la unidad en posición vertical en un lugar seco y bien ventilado.




Cordon boucle hebilla de cable de alimentación



Solución sugerida

A menudo, los problemas son sencillos y no es necesario hacer una llamada de reparación, use esta guía de resolución de problemas para encontrar una posible solución. Si la unidad sigue funcionando mal, llame a los números gratuitos de un centro Danby de servicio autorizado.

Tel: 1-800-26-Danby® (1-800-263-2629)

PROBLEMA	POSIBLE CAUSA	SOLUCIÓN
El deshumidificador no arranca	<ul style="list-style-type: none"> • El deshumidificador está desenchufado • El fusible está quemado/ saltó el disyuntor • El deshumidificador ha alcanzado su nivel preestablecido o la cubeta está llena • La cubeta no está en su posición correcta • Corte de luz 	<ul style="list-style-type: none"> • Asegúrese de que el enchufe del deshumidificador esté totalmente introducido en el tomacorriente • Controle la caja de fusibles / disyuntor del hogar y reemplace el fusible o restablezca el disyuntor • El deshumidificador se apaga automáticamente cuando ocurre cualquiera de estas condiciones. Cambie a un ajuste inferior o vacíe la cubeta y vuelva a colocarla correctamente • La cubeta debe estar en su lugar y apoyada firmemente para que funcione el deshumidificador • Hay un retraso de protección (de hasta 3 minutos) para evitar que salte el dispositivo frente a la sobrecarga del compresor. Por esta razón, quizás la unidad no comience con la deshumidificación normal durante 3 minutos luego de volver a encenderla
El deshumidificador no seca el aire como debería hacerlo	<ul style="list-style-type: none"> • No permitió que transcurra suficiente tiempo para extraer la humedad • El flujo de aire está limitado • Filtro sucio • El control de humedad no se puede regular lo suficientemente bajo • Quizás las puertas u ventanas no están bien cerradas • La secadora de ropa puede estar despidiendo aire ileno de humedad en la habitación • La temperatura ambiente es demasiado baja 	<ul style="list-style-type: none"> • Al instalarlo por primera vez, permita que transcurran al menos 25 horas para mantener la sequedad deseada • Asegúrese de que no haya cortinas, persianas ni muebles que bloqueen la parte frontal o trasera del deshumidificador. Consulte al sección "Ubicación" • Consulte la sección "Filtro de aire" • Para un aire más seco, presione el botón  y establezca un valor porcentual (%) más bajo • Verifique que todas las puertas, ventanas y otras aperturas estén bien cerradas • Instale el deshumidificador lejos de la secadora. La secadora debe tener salida al exterior • La extracción de humedad funciona mejor a temperaturas ambiente superiores. Las temperaturas ambientes más bajas reducirán la tasa de extracción de humedad. Los modelos están diseñados para funcionar a temperaturas superiores a los 5°C (41°F)
El deshumidificador funciona durante demasiado tiempo	<ul style="list-style-type: none"> • El área a deshumidificar es demasiado grande • Las puertas y ventanas están abiertas 	<ul style="list-style-type: none"> • La capacidad del su deshumidificador quizás no sea adecuada • Cierre todas las puertas y ventanas que dan al exterior
Aparece escarcha en las bobinas	<ul style="list-style-type: none"> • El deshumidificador recién se encendió o la temperatura ambiente es inferior a los 5°C (41°F) 	<ul style="list-style-type: none"> • Esto es normal. La escarcha generalmente desaparece dentro de los 60 minutos. Consulte la sección "Descongelación"



Solución sugerida (continuado)

PROBLEMA	POSIBLE CAUSA	SOLUCIÓN
No se pueden establecer los controles	<ul style="list-style-type: none">• El compresor se apagará y el ventilador continuará funcionando automáticamente durante aproximadamente 3 minutos a un ajuste establecido	<ul style="list-style-type: none">• Esto es normal. Espere aproximadamente 3 minutos y establezca el ventilador según lo desee
Ruido en el ventilador	<ul style="list-style-type: none">• El aire se está moviendo a través del deshumidificador	<ul style="list-style-type: none">• Esto es normal
Agua en el piso	<ul style="list-style-type: none">• La conexión de la manguera puede estar floja• Deseo usar la cubeta para recolectar agua, pero hay una manguera conectada	<ul style="list-style-type: none">• Controle la conexión de la manguera. Consulte la sección "Drenaje"• Desconecte la manguera si usa la cubeta para recolectar agua. Consulte la sección "Drenaje continuo"

GARANTÍA LIMITADA PARA ELECTRODOMÉSTICO

Este producto de calidad está garantizado contra defectos de fabricación, incluyendo partes y mano de obra, siempre y cuando la unidad se utilice bajo las condiciones normales de funcionamiento para las que fue diseñado.

Esta garantía está solamente disponible para la persona que haya comprado originalmente esta unidad directamente de Danby Products Limited (Canada) o Danby Products Inc. (U.S.A.) (en adelante "Danby") o uno de sus distribuidores autorizados, y no es transferible.

CONDICIONES DE LA GARANTÍA

Las piezas plásticas, se autorizan por treinta (30) días solamente a partir de la fecha de la compra, sin las extensiones proporcionadas.

Primeros 24 meses Durante los primeros 24 meses, cualquier parte en buen estado de este producto que resulte defectuosa, incluyendo cualquier sistema sellado, será reparado o reemplazado, a opción del fabricante, sin cargo para el comprador ORIGINAL.

Para obtener servicio Danby se reserva el derecho de limitar la cobertura de "Servicio en Domicilio" sujeto a la proximidad de un Taller de Servicio Autorizado. Para todo artefacto que requiera servicio fuera del área limitada de "Servicio en Domicilio", el cliente será responsable por transportar dicho artefacto hasta el Taller de Servicio Autorizado más cercano. Consulte "Límites del servicio técnico a domicilio", a continuación. Comuníquese con el distribuidor donde haya comprado la unidad, o llame al Taller de Servicio Autorizado más cercano, donde debe ser reparada por un técnico calificado. Si esta unidad es reparada en otro lugar que no sea un Taller de Servicio Autorizado, o si la unidad se utiliza para aplicaciones comerciales, Danby no se hará responsable de ninguna forma y la garantía será anulada.

Límites del servicio técnico a domicilio Si el electrodoméstico está instalado en un lugar que se encuentra a 100 kilómetros (62 millas) o más del centro de servicios más cercano, se debe llevar la unidad al Centro de servicios Danby autorizado más cercano, ya que dicho servicio sólo puede realizarlo un técnico calificado y certificado por Danby para prestar servicios de garantía. Los cargos por transporte desde y hacia el lugar en que se efectúe el servicio técnico no están cubiertos por esta garantía y son de responsabilidad del comprador.

Nada dentro de esta garantía implica que Danby será responsable por cualquier daño que hayan sufrido los alimentos u otros contenidos de este aparato, ya sea debido a un defecto del aparato, o su uso, adecuado o inadecuado.

EXCLUSIONES

Salvo lo aquí indicado por Danby, no existen otras garantías, condiciones o representaciones, explícitas o implícitas, concretas o intencionales por parte de Danby o sus distribuidores autorizados y todas las demás garantías, condiciones o representaciones, incluyendo cualquier garantía, condiciones o representaciones bajo cualquier Acta de Venta de Productos o legislación o estatuto similar, quedan de esta forma expresamente excluidas. Salvo lo aquí indicado, Danby no serán responsables por ningún daño a personas o bienes, incluyendo la propia unidad, sin importar su causa, o de ningún daño indirecto causado por el desperfecto de la unidad, y al comprar esta unidad, el comprador acepta por la presente, indemnizar y proteger a Danby contra cualquier reclamo por daños a personas o bienes causados por la unidad.

CONDICIONES GENERALES

No se considerará ninguna de estas garantías o seguros cuando el daño o la necesidad de reparación sea el producto de los siguientes casos:

- 1) Falla del suministro eléctrico.
- 2) Daños en tránsito o durante el transporte de la unidad.
- 3) Alimentación incorrecta, como bajo voltaje, instalación eléctrica defectuosa o fusibles inadecuados.
- 4) Accidente, modificación, abuso o uso incorrecto del artefacto, tal como insuficiente ventilación del ambiente o condiciones de operación anormales (temperatura ambiente extremadamente alta o baja).
- 5) Utilización comercial o industrial (v.g., si el electrodoméstico no está instalado en una vivienda particular).
- 6) Incendio, daños por agua, robo, guerra, disturbios, hostilidades, actos de fuerza mayor como huracanes, inundaciones, etc.
- 7) Pedidos de servicio debido a desinformación del usuario.
- 8) Instalación inadecuada (v.g., instalación empotrada de un electrodoméstico diseñado como unidad independiente o uso de un electrodoméstico al aire libre que no esté aprobado para dicho fin).

Para acceder a la garantía se solicitará un comprobante de compra; por lo tanto, guarde su recibo. En caso de necesitar servicio de garantía, presente ese documento al TALLER DE SERVICIO AUTORIZADO.

Servicio de Garantía
Garantía para llevar a taller de servicio

Danby Products Limited
PO Box 1778, Guelph, Ontario, Canada N1H 6Z9
Telephone: (519) 837-0920 FAX: (519) 837-0449

1-800-263-2629
07/14

Danby Products Inc.
PO Box 669, Findlay, Ohio, U.S.A. 45840
Telephone: (419) 425-8627 FAX: (419) 425-8629

FOR YOUR SAFETY: Read these instructions carefully before operating the unit.

POUR VOTRE SÉCURITÉ: Lire attentivement ces instructions avant d'utiliser l'appareil.

PARA SU SEGURIDAD: Lea y observe todas las reglas de seguridad y las instrucciones de operación antes de usar este producto.

PORTABLE DEHUMIDIFIER

All repair parts are available for purchase or special order when you visit your nearest service depot. To request service and/or the location of the service depot nearest you, call the TOLL FREE number.

When requesting service or ordering parts, always provide the following information:

- Product Type
- Model Number
- Part Number
- Part Description

DESHUMIDIFICATEUR PORTATIF

Todas las piezas de reparación disponibles para la compra o la orden especial cuando usted visita su depósito más cercano del servicio. Para pedir servicio y/o la localización del depósito del servicio lo más cerca posible usted, llame Danby gratis.

Al pedir servicio o pidiendo piezas, proporcione siempre la información siguiente:

- Tipo de producto
- Número de modelo
- Número de pieza
- Descripción de la parte

DESHUMIDIFICADOR PORTÁTIL

Toutes les pièces de rechange ou commandes spéciales sont disponibles à votre centre de service régional autorisé. Pour obtenir le service et/ou la localité de votre centre de service régional, signalez le NUMÉRO D'APPEL SANS FRAIS.

Ayez les renseignements suivants à la portée de la main lors de la commande de pièce ou service:

- Type de produit
- Numéro de modèle
- Numéro de pièce
- Description de la pièce



Danby
Premiere®

- OWNER'S USE AND CARE GUIDE
- GUIDE D'UTILISATION ET D'ENTRETIEN
- GUÍA DE UTILIZACIÓN Y CUIDADO PARA EL PROPIETARIO

MODEL • MODÈLE • MODELO
DDR30B3WP
DDR45B3WP
DDR50B3WP

Printed in China
Imprimé en Chine
Impreso en China

Danby Products Limited, Guelph, ON, Canada N1H 6Z9
Danby Products Inc., Findlay, Ohio, USA 45840