

# Ventilation

Removes smoke and odor. Adds exceptional style.





Bosch's efficient, highly effective ventilation products complete any Bosch kitchen package. Capable of up to 600 CFM, they quickly minimize steam, odors, grease and smoke without adding distracting noise.

The perfect solution for high ceilings, islands, or simply for space considerations, our downdraft rises from behind your cooktop instead of above. For energy-conscious homes, our ENERGY STAR® hoods save electricity and operate extra quietly.

Almost all Bosch ventilation products, including downdraft models, offer the flexibility of recirculation.

# Benchmark® Ventilation

**A breath of fresh air.**

## **Modern Art, Sculpted in Steel and Glass**

Benchmark® wall mounted chimney hoods add style and sophistication to the kitchen and give you greater freedom to plan your kitchen layout.

## **Sleek European Design**

Bosch stainless steel hoods integrate matching user interfaces and design aesthetics to complete the Bosch kitchen suite, offering a distinctive European look.



## **Powerful Solutions to Every Bosch Cooktop or Range**

With up to 600 CFM of power available in wall hoods, Benchmark® hoods meet the ventilation requirements of any Bosch cooktop or range and are available with recirculation kits. These highly effective vents quickly clear the air of grease, steam, smoke and odor without adding distracting noise.









# Ventilation Selection Guide

✓ = Design Match

✓ = Viable Option

Cooktops			
			
24-Inch Electric	30-Inch Electric & Induction	36-Inch Electric & Induction	24-Inch Gas

## Chimney Wall Hoods



30-Inch HCP30E51UC	✓	✓		✓
30-Inch HCP30E51UC		✓		
30-Inch HCB50E51UC		✓		
36-Inch HCG56E51UC		✓	✓	
36-Inch HCP36E51UC		✓	✓	
36-Inch HCP36E51UC		✓	✓	
36-Inch HCB56E51UC		✓	✓	

## Under-Cabinet Range Hoods



30-Inch DUH30I52UC	✓	✓		✓
30-Inch DUH30I52UC		✓		
30-Inch DPH30E52UC		✓		
36-Inch DUH36I52UC		✓	✓	
36-Inch DUH36I52UC		✓	✓	
36-Inch DPH36E52UC		✓	✓	

## Island Hood



42-Inch HIB82E51UC		✓	✓	
--------------------	--	---	---	--

## Custom Insert Hoods



21-Inch HUI314E51UC	✓			✓
29-Inch DHL75E51UC	✓	✓		✓

## Downdrafts



30-Inch DHD30I4UC		✓		
36-Inch DHD36I4UC			✓	

## Pull-Out Hoods



24-Inch HUI544E51UC	✓			✓
30-Inch HUI503E51UC	✓	✓		✓
36-Inch HUI565E51UC		✓	✓	

# Ventilation Selection Guide

Cooktops		Slide-In Ranges			
					
30-Inch Gas	36-Inch Gas	Dual Fuel	Electric	Induction	Gas
✓		✓	✓	✓	✓
✓		✓	✓	✓	✓
✓		✓	✓	✓	✓
✓	✓	✓	✓	✓	✓
✓	✓	✓	✓	✓	✓
✓	✓	✓	✓	✓	✓
✓	✓	✓	✓	✓	✓
✓		✓	✓	✓	✓
✓		✓	✓	✓	✓
✓		✓	✓	✓	✓
✓	✓	✓	✓	✓	✓
✓	✓	✓	✓	✓	✓
✓	✓	✓	✓	✓	✓
✓		✓	✓	✓	✓
✓	✓	✓	✓	✓	✓
✓		✓	✓	✓	✓
	✓	✓	✓	✓	✓
✓					
✓		✓	✓	✓	✓
✓					
✓	✓				
✓					
✓	✓	✓	✓	✓	✓
✓	✓	✓	✓	✓	✓

# Benchmark® Chimney Wall Hood



## 36" Benchmark® Glass Canopy Chimney Hood HCG56651UC

- 600 CFM
- 2 Halogen Lights
- Stainless Steel Filters with Metal Latch
- 9 ft.–11.5 ft. Duct Cover Extension Accessory

### 36" Glass Canopy Chimney Hood

Stainless Steel – HCG56651UC

#### General Properties

Operating mode	Convertible: ducted / recirculating
Maximum CFM	600 CFM
Sones	10.13 HS / 2.46 WS
Number of speed settings	4-stage
Motor location	Integrated motor in hood chimney
Number of lights	2
Bulb type	Halogen
Total power of the lamps (W)	80 W
Damper included	Yes
Grease filter material	Washable stainless steel
Grease filter type	Multilayer cassette

#### Technical Details

Volts (V)	120 V
Frequency (Hz)	60 Hz
Plug type	No plug

#### Dimensions & Weight

Overall appliance dimensions (width of canopy included) (HxWxD) (in.)	27 7/16" x 42 3/8" / 27 7/16" x 46 5/16" / 35 7/8" x 19 11/16"
Height of the chimney (in.)	25 7/8" x 40 13/16" / 25 7/8" x 44 3/4"
Required distance above cooktop / range cooking surface	24" Electric / 30" Gas
Diameter of air duct (in.) top	8"
Net weight (lbs)	54 lbs

#### Optional Accessories



**HCGEXT5UC**  
Chimney extension for 9–11.5 ft. ceilings for use with HCG56651UC



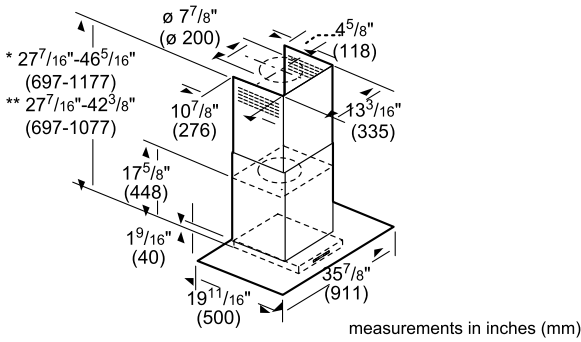
**HCIFILTUC**  
Filter kit



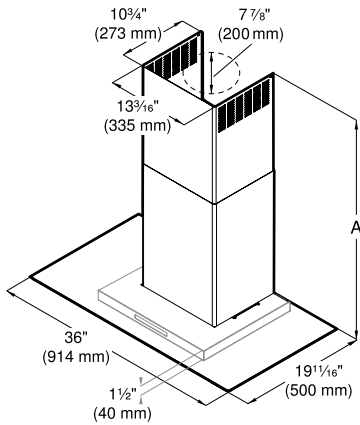
**HCRECSUC**  
Recirculation kit for HCG56651UC

# Benchmark® Chimney Wall Hood

## 36" Glass Canopy Chimney Hood

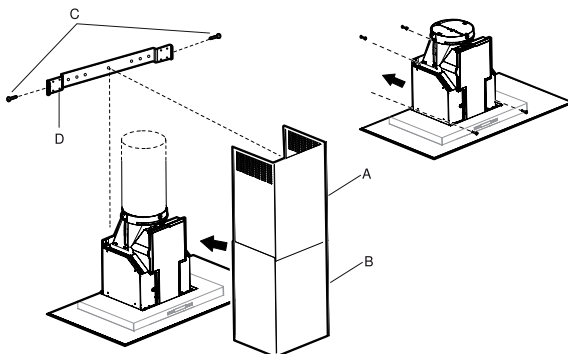


- \* Recirculating installation
- \*\* Ducted installation



- A Ducted operation:  
 Min. / Max.  $27\frac{7}{16}"$  (697 mm) /  $42\frac{3}{8}"$  (1076 mm)  
 Recirculation mode:  
 Min. / Max.  $27\frac{7}{16}"$  (697 mm) /  $46\frac{5}{16}"$  (1176 mm)

measurements in inches (mm)



- |   |                 |
|---|-----------------|
| A | Upper flue duct |
| B | Lower flue duct |
| C | Screws          |
| D | Angle bracket   |



# 300 / 500 Series 30" Chimney Wall Hoods



**30" 300 Series  
Pyramid Canopy Chimney Hood  
HCP30E51UC**

- 300 CFM
- ENERGY STAR® Qualified
- 1 Fluorescent Light
- Aluminum Mesh Filters
- 9 ft.–11.5 ft. Duct Cover Extension Accessory



**30" 300 Series  
Pyramid Canopy Chimney Hood  
HCP30651UC**

- + 600 CFM
- + 2 Halogen Lights
- Aluminum Mesh Filters
- 9 ft.–11.5 ft. Duct Cover Extension Accessory



**30" 500 Series  
Box Canopy Chimney Hood  
HCB50651UC**

- 600 CFM
- 2 Halogen Lights
- + Stainless Steel Filters with Metal Latch
- 9 ft.–11.5 ft. Duct Cover Extension Accessory

+ Indicates a step-up feature

	30" Pyramid Canopy 300 Series	30" Pyramid Canopy 300 Series	30" Box Canopy 500 Series
	Stainless Steel – HCP30E51UC	Stainless Steel – HCP30651UC	Stainless Steel – HCB50651UC
<b>General Properties</b>			
Operating mode	Convertible: ducted / recirculating	Convertible: ducted / recirculating	Convertible: ducted / recirculating
Maximum CFM	300 CFM	600 CFM	600 CFM
Sones	5.36 HS / 1.56 WS	9.9 HS / 4.56 WS	9.9 HS / 4.56 WS
Number of speed settings	3-stage	4-stage	4-stage
Motor location	Integrated motor in hood chimney	Integrated motor in hood chimney	Integrated motor in hood chimney
Number of lights	1	2	2
Bulb type	Fluorescent	Halogen	Halogen
Total power of the lamps (W)	13 W	80 W	80 W
Damper included	Yes	Yes	Yes
Grease filter material	Aluminum	Aluminum	Washable stainless steel
Grease filter type	Multilayer cassette	Multilayer cassette	Multilayer cassette
<b>Technical Details</b>			
Volts (V)	120 V	120 V	120 V
Frequency (Hz)	60 Hz	60 Hz	60 Hz
Plug type	No plug	No plug	No plug
<b>Dimensions &amp; Weight</b>			
Overall appliance dimensions (width of canopy included) (HxWxD) (in.)	24 9/16" – 38 7/8" / 28 1/4" – 42 9/16" x 30" x 19 11/16"	24 9/16" – 38 7/8" / 28 1/4" – 42 9/16" x 30" x 19 11/16"	27 1/16" x 42 1/8" / 27 1/16" x 45 13/16" / 30" x 19 11/16"
Height of the chimney (in.)	19 9/16" – 33 7/8" / 23 1/4" – 42 9/16"	19 9/16" – 33 7/8" / 23 1/4" – 42 9/16"	25 1/2" x 40 9/16" / 25 1/2" x 44 1/4"
Required distance above cooktop / range cooking surface	24" Electric / 30" Gas	24" Electric / 30" Gas	24" Electric / 30" Gas
Diameter of air duct (in.) top	8"	8"	8"
Net weight (lbs)	49 lbs	49 lbs	54 lbs

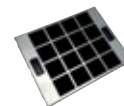
## Optional Accessories



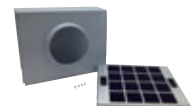
**HCPEXT5UC**  
Chimney extension for 9–11.5 ft. ceilings for use with HCP30E51UC and HCP30651UC



**HCBEXT5UC**  
Chimney extension for 9–11.5 ft. ceilings for use with HCB50651UC



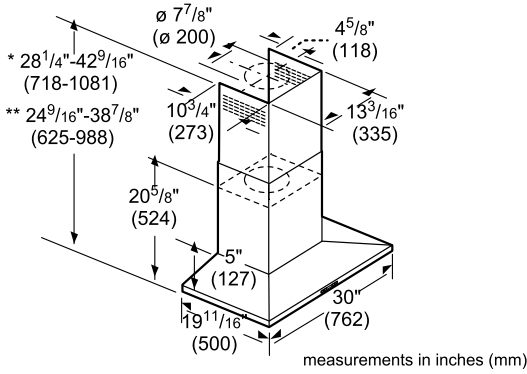
**HCIFILTUC**  
Filter kit



**HCREC5UC**  
Recirculation kit

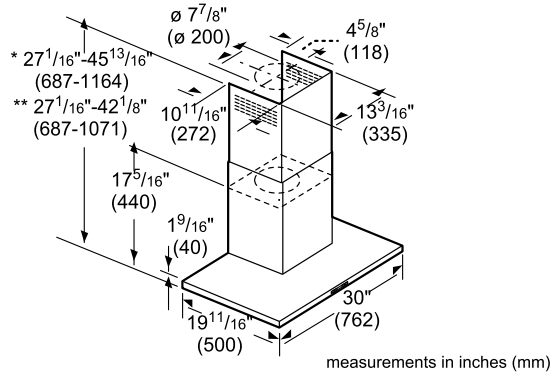
# 300 / 500 Series 30" Chimney Wall Hoods

## 30" Pyramid Canopy Chimney Hood

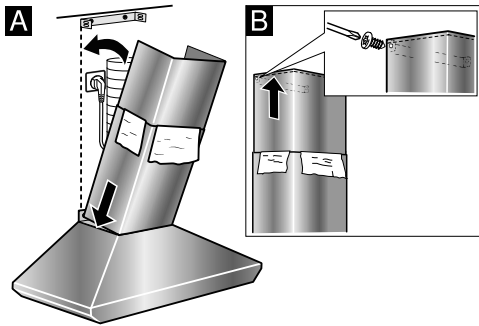


\* Recirculating installation  
 \*\* Ducted installation

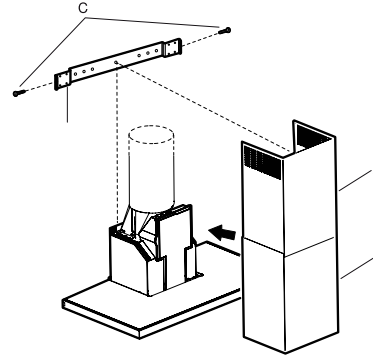
## 30" Box Canopy Chimney Hood



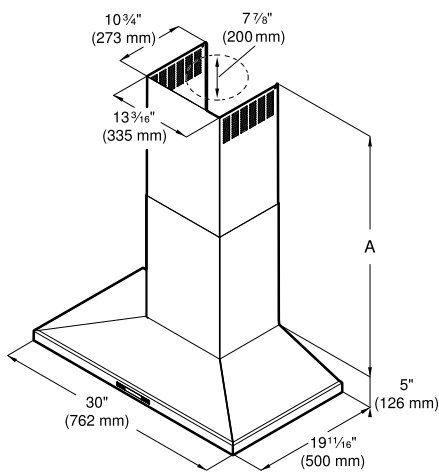
\* Recirculating installation  
 \*\* Ducted installation



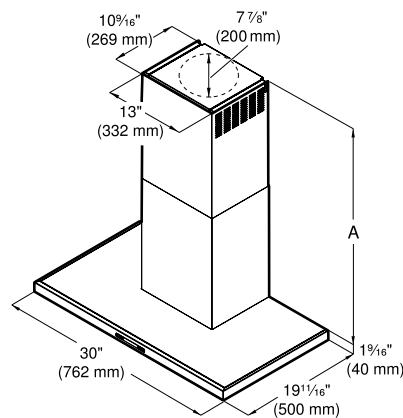
A Lower flue duct  
 B Upper flue duct



A Upper flue duct  
 B Lower flue duct  
 C Screws  
 D Angle bracket



A Ducted operation:  
 Min. / Max.  $24\frac{9}{16}"$  (624 mm) /  $38\frac{7}{8}"$  (985 mm)  
 Recirculation mode:  
 Min. / Max.  $28\frac{1}{4}"$  (716 mm) /  $42\frac{9}{16}"$  (1081 mm)  
 measurements in inches (mm)



A Ducted operation:  
 Min. / Max.  $27\frac{1}{16}"$  (687 mm) /  $42\frac{1}{8}"$  (1070 mm)  
 Recirculation mode:  
 Min. / Max.  $27\frac{1}{16}"$  (687 mm) /  $45\frac{13}{16}"$  (1164 mm)  
 measurements in inches (mm)

# 300 / 500 Series 36" Chimney Wall Hoods



**36" 300 Series  
Pyramid Canopy Chimney Hood  
HCP36E51UC**

- 300 CFM
- ENERGY STAR® Qualified
- 1 Fluorescent Light
- Aluminum Mesh Filters
- 9 ft.–11.5 ft. Duct Cover Extension Accessory

+ Indicates a step-up feature



**36" 300 Series  
Pyramid Canopy Chimney Hood  
HCP36651UC**

- + 600 CFM
- + 2 Halogen Lights
- Aluminum Mesh Filters
- 9 ft.–11.5 ft. Duct Cover Extension Accessory



**36" 500 Series  
Box Canopy Chimney Hood  
HCB56651UC**

- 600 CFM
- 2 Halogen Lights
- + Stainless Steel Filters with Metal Latch
- 9 ft.–11.5 ft. Duct Cover Extension Accessory

36" Pyramid Canopy 300 Series	36" Pyramid Canopy 300 Series	36" Box Canopy 500 Series
Stainless Steel – HCP36E51UC	Stainless Steel – HCP36651UC	Stainless Steel – HCB56651UC

General Properties			
Operating mode	Convertible: ducted / recirculating	Convertible: ducted / recirculating	Convertible: ducted / recirculating
Maximum CFM	300 CFM	600 CFM	600 CFM
Sones	5.36 HS / 1.56 WS	9.9 HS / 4.56 WS	9.9 HS / 4.56 WS
Number of speed settings	3-stage	4-stage	4-stage
Motor location	Integrated motor in hood chimney	Integrated motor in hood chimney	Integrated motor in hood chimney
Number of lights	1	2	2
Bulb type	Fluorescent	Halogen	Halogen
Total power of the lamps (W)	13 W	80 W	80 W
Damper included	Yes	Yes	Yes
Grease filter material	Aluminum	Aluminum	Washable stainless steel
Grease filter type	Multilayer cassette	Multilayer cassette	Multilayer cassette
Technical Details			
Volts (V)	120 V	120 V	120 V
Frequency (Hz)	60 Hz	60 Hz	60 Hz
Plug type	No plug	No plug	No plug
Dimensions & Weight			
Overall appliance dimensions (width of canopy included) (HxWxD) (in.)	24 9/16" – 38 7/8" / 28 1/4" – 42 9/16" x 36" x 19 11/16"	24 9/16" – 38 7/8" / 28 1/4" – 42 9/16" x 36" x 19 11/16"	27 1/16" x 42 1/8" / 27 1/16" x 45 13/16" / 36" x 19 11/16"
Height of the chimney (in.)	19 9/16" – 33 7/8" / 23 1/4" – 42 9/16"	19 9/16" – 33 7/8" / 23 1/4" – 42 9/16"	25 1/2" x 40 9/16" / 25 1/2" x 44 1/4"
Required distance above cooktop / range cooking surface	24" Electric / 30" Gas	24" Electric / 30" Gas	24" Electric / 30" Gas
Diameter of air duct (in.) top	8"	8"	8"
Net weight (lbs)	53 lbs	53 lbs	54 lbs

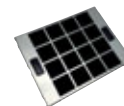
## Optional Accessories



**HCPEXT5UC**  
Chimney extension for 9–11.5 ft. ceilings for use with HCP36E51UC and HCP36651UC



**HCBEXT5UC**  
Chimney extension for 9–11.5 ft. ceilings for use with HCB56651UC



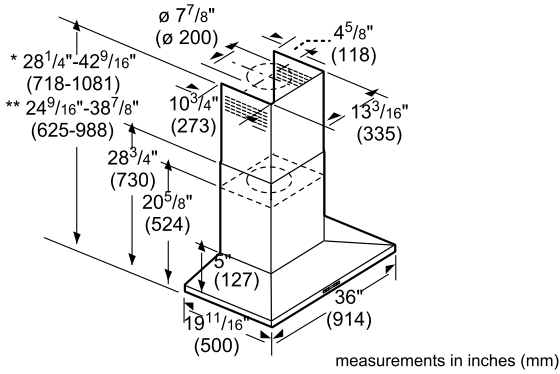
**HCIFILTUC**  
Filter kit



**HCREC5UC**  
Recirculation kit

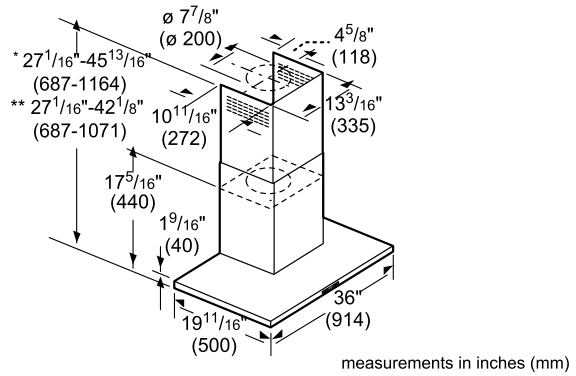
# 300 / 500 Series 36" Chimney Wall Hoods

## 36" Pyramid Canopy Chimney Hood

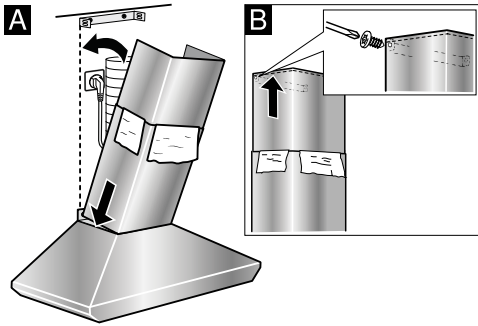


- \* Recirculating installation
- \*\* Ducted installation

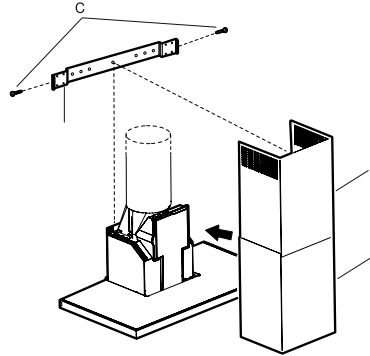
## 36" Box Canopy Chimney Hood



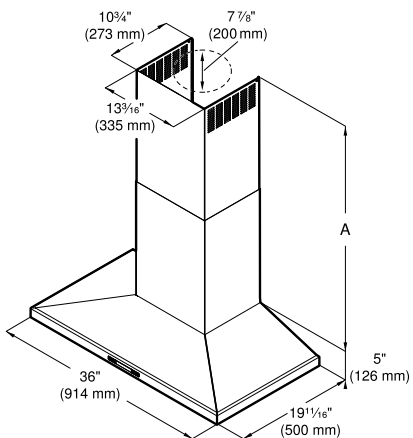
- \* Recirculating installation
- \*\* Ducted installation



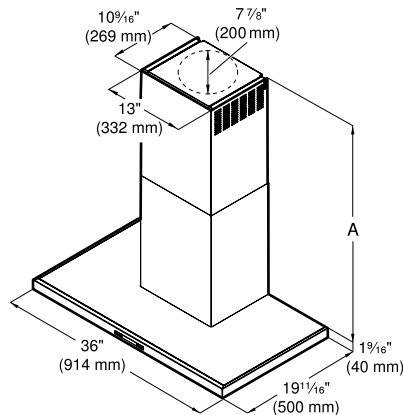
- A Lower flue duct
- B Upper flue duct



- A Upper flue duct
- B Lower flue duct
- C Screws
- D Angle bracket



- A Ducted operation:  
 Min. / Max. 24 9/16" (624 mm) / 38 7/8" (985 mm)  
 Recirculation mode:  
 Min. / Max. 28 1/4" (716 mm) / 42 9/16" (1081 mm)
- measurements in inches (mm)



- A Ducted operation:  
 Min. / Max. 27 1/16" (687 mm) / 42 1/8" (1070 mm)  
 Recirculation mode:  
 Min. / Max. 27 1/16" (687 mm) / 45 13/16" (1164 mm)
- measurements in inches (mm)

# 800 Series Island Hood



**42" 800 Series  
Box Canopy Island Hood  
HIB82651UC**

- 600 CFM
- 4 Halogen Lights
- Stainless Steel Filters with Metal Latch
- 9 ft.–11.5 ft. Duct Cover Extension Accessory

**42" Box Canopy Island Hood**

Stainless Steel – HIB82651UC

**General Properties**

Operating mode	Convertible: ducted / recirculating
Maximum CFM	600 CFM
Sones	9.9 HS / 4.56 WS
Number of speed settings	4-stage
Motor location	Integrated motor in hood chimney
Number of lights	4
Bulb type	Halogen
Total power of the lamps (W)	80 W
Damper included	Yes
Grease filter material	Washable stainless steel
Grease filter type	Multilayer cassette

**Technical Details**

Volts (V)	120 V
Frequency (Hz)	60 Hz
Plug type	No plug

**Dimensions & Weight**

Overall appliance dimensions (width of canopy included) (HxWxD) (in.)	29 13/16" – 45 5/16" / 29 13/16" – 50 5/16" x 42 1/16" x 27"
Height of the chimney (in.)	27 7/16" – 42 7/8" / 27 7/16" – 47 7/8"
Required distance above cooktop / range cooking surface	24" Electric / 30" Gas
Diameter of air duct (in.) top	8"
Net weight (lbs)	110 lbs

**Optional Accessories**



**HCIEXT5UC**  
Chimney extension for 9–11.5 ft. ceilings for use with HIB82651UC



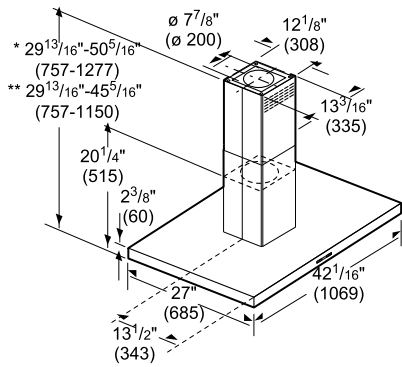
**HCIFILTUC**  
Filter kit



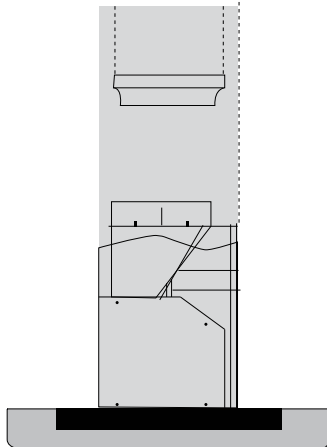
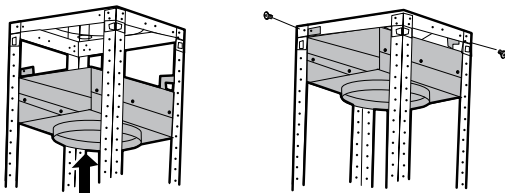
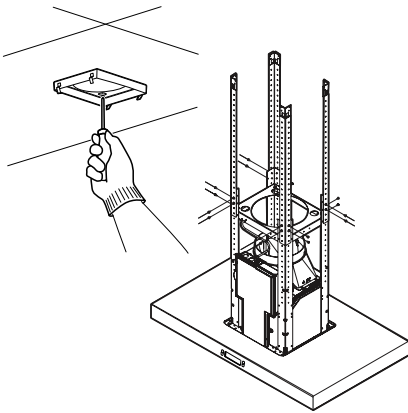
**HIREC5UC**  
Recirculation kit for HIB82651UC

# 800 Series Island Hood

## 42" Box Canopy Island Hood



- \* Recirculating installation measurements in inches (mm)
- \*\* Ducted installation



# 500 Series Pull-Out Hood



**24" 500 Series  
Pull-Out Hood  
HUI54451UC**

- 400 CFM
- Electronic Control
- 2 Halogen Lights
- Convertible: Ducted / Recirculating



**30" 500 Series  
Pull-Out Hood  
HUI50351UC**

- 300 CFM
- Electronic Control
- 2 Halogen Lights
- Convertible: Ducted / Recirculating



**36" 500 Series  
Pull-Out Hood  
HUI56551UC**

- + 500 CFM
- Electronic Control
- 2 Halogen Lights
- Convertible: Ducted / Recirculating

	24"	30"	36"
	Stainless Steel – HUI54451UC	Stainless Steel – HUI50351UC	Stainless Steel – HUI56551UC
<b>General Properties</b>			
Operating mode	Convertible: ducted / recirculating	Convertible: ducted / recirculating	Convertible: ducted / recirculating
Maximum CFM	400 CFM	300 CFM	500 CFM
Number of speed settings	4-stage	3-stage	3-stage
Motor location	Integrated motor in hood body	Integrated motor in hood body	Integrated motor in hood body
Number of lights	2	2	2
Bulb type	Halogen	Halogen	Halogen
Total power of the lamps (W)	40 W	40 W	40 W
Damper included	Yes	Yes	Yes
Grease filter material	Aluminum	Aluminum	Aluminum
Grease filter type	Multilayer cassette	Multilayer cassette	Multilayer cassette
<b>Technical Details</b>			
Volts (V)	120 V	120 V	120 V
Frequency (Hz)	60 Hz	60 Hz	60 Hz
Plug type	120V-3 Prong	No plug	No plug
Power cord length (in.)	45 1/2"	50"	50"
<b>Dimensions &amp; Weight</b>			
Overall appliance dimensions (width of canopy included) (HxWxD) (in.)	11 13/16" x 23 9/16" x 11 13/16"	11 9/16" x 29 7/8" x 11"	11 9/16" x 35 7/8" x 11"
Required distance above cooktop / range cooking surface	24" Electric / 30" Gas	24" Electric / 30" Gas	24" Electric / 30" Gas
Diameter of air duct (in.) top	6"	6"	6"
Net weight (lbs)	24 lbs	26 lbs	32.5 lbs

**Optional Accessories**



**HVREC5UC**  
Recirculation kit for use with HUI54451UC



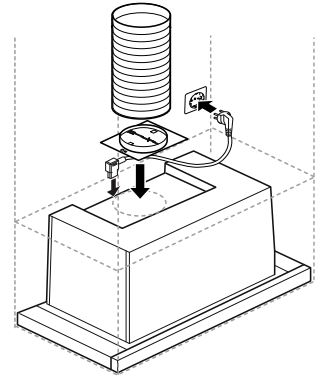
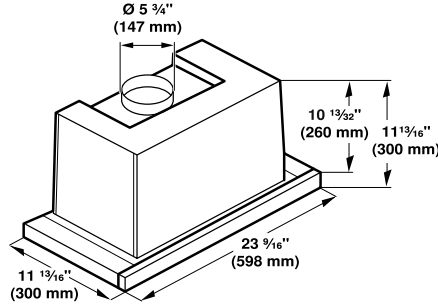
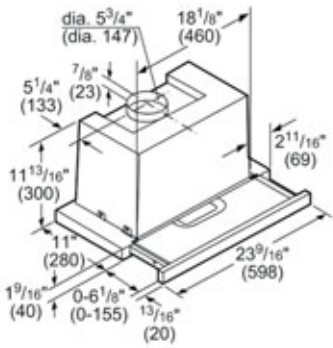
**HUIF06UC**  
Recirculation kit for use with HUI50351UC and HUI56551UC



**HUIRED56UC**  
CFM Reducer Kit for use with HUI56551UC

# 500 Series Pull-Out Hood

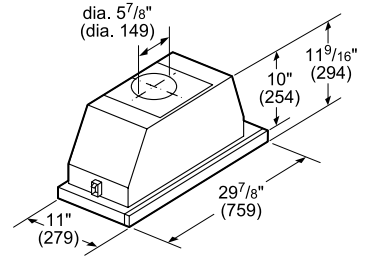
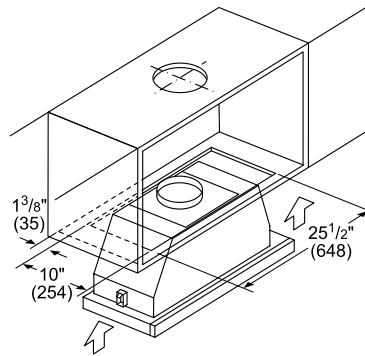
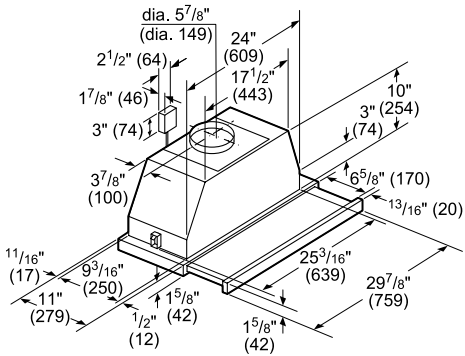
## 24" Pull-Out Hood



Installation height above cooking surface:  
24"-34" (610-864) to Electric  
29 1/2"-34" (750-864) to Gas.

Measurements in inches (mm)

## 30" Pull-Out Hood

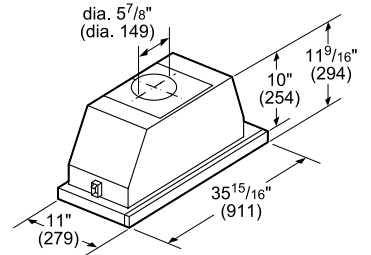
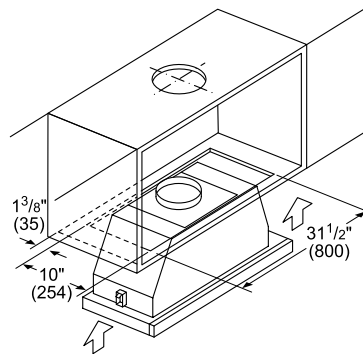
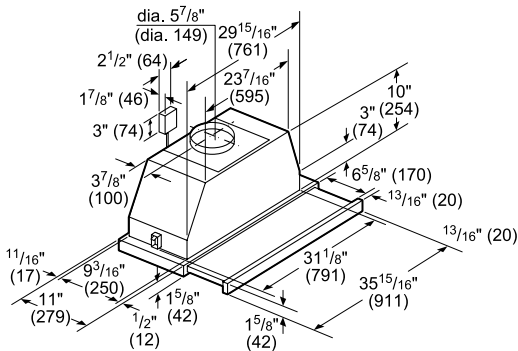


measurements in inches (mm)

Installation height above cooking surface:  
24" (610) to Electric  
25 3/4" (650) to Gas.

measurements in inches (mm)

## 36" Pull-Out Hood



measurements in inches (mm)

Installation height above cooking surface:  
24" (610) to Electric  
25 3/4" (650) to Gas.

measurements in inches (mm)



# 300 / 500 / 800 Series 30" Under-Cabinet Wall Hoods



**30" 300 Series  
Under-Cabinet Wall Hood  
DUH30152UC**

- 280 CFM
- Incandescent Lights
- Aluminum Mesh Filters
- Three Power Levels



**30" 500 Series  
Under-Cabinet Wall Hood  
DUH30252UC**

- + 400 CFM
- + Halogen Lights (not included)
- Aluminum Mesh Filters
- + Four Power Levels



**30" 800 Series  
Under-Cabinet Wall Hood  
DPH30652UC**

- + 600 CFM
- Incandescent Lights
- Aluminum Mesh Filters
- + Professional Design

+ Indicates a step-up feature

	300 Series	500 Series	800 Series
	Stainless Steel – DUH30152UC	Stainless Steel – DUH30252UC	Stainless Steel – DPH30652UC
<b>General Properties</b>			
Operating mode	Convertible: ducted / recirculating	Convertible: ducted / recirculating	Convertible: ducted / recirculating
Maximum CFM	280 CFM	400 CFM	600 CFM
Number of speed settings	3-stage	4-stage	2-stage
Motor location	Integrated motor in hood body	Integrated motor in hood body	Integrated motor in hood body
Number of lights	2	2 (Not Included)	2
Bulb type	Incandescent	Halogen	Incandescent
Total power of the lamps (W)	80 W	100 W	80 W
Damper included	Yes	Yes	Yes
Grease filter material	Aluminum	Aluminum	Aluminum
Grease filter type	Multilayer cassette	Multilayer cassette	Multilayer cassette
<b>Technical Details</b>			
Watts (W)	N/A	N/A	142 W
Volts (V)	120 V	120 V	120 V
Frequency (Hz)	60 Hz	60 Hz	60 Hz
Plug type	No plug	No plug	No plug
<b>Dimensions &amp; Weight</b>			
Overall appliance dimensions (width of canopy included) (HxWxD) (in.)	5" x 30" x 20"	5" x 30" x 20"	11" x 30" x 23"
Required distance above cooktop / range cooking surface	30" Electric / 30" Gas	30" Electric / 30" Gas	30" Electric / 30" Gas
Diameter of air duct (in.) top	7"	7"	8"
Diameter of air duct (in.) back	3 1/4" x 10" Rectangular	3 1/4" x 10" Rectangular	8"
Net weight (lbs)	42 lbs	42 lbs	34 lbs

**Optional Accessories for 300 and 500 Series Under-Cabinet Hoods**

DHZ3002UC  
Replacement charcoal filter

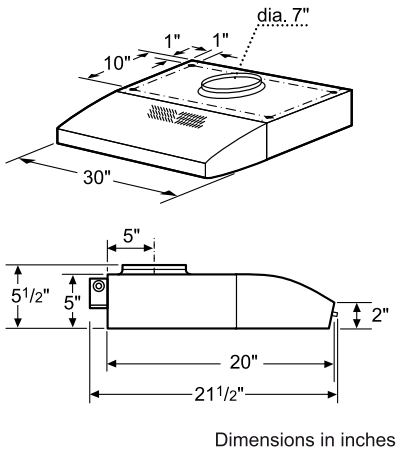
**Optional Accessories for 800 Series Under-Cabinet Hood**

DHZ3052UC  
Replacement charcoal filter

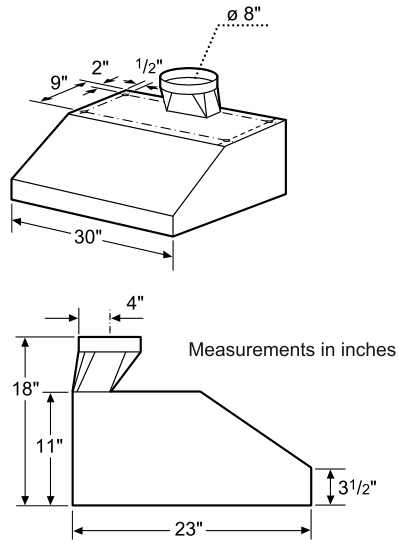
DRZ3052UC  
Recirculation kit  
Adds 4" height to appliance

# 300 / 500 / 800 Series 30" Under-Cabinet Wall Hoods

## 300 / 500 Series 30" Under-Cabinet Hoods Dimensions

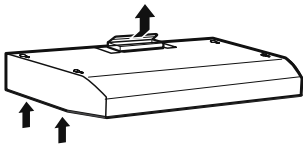


## 800 Series 30" Under-Cabinet Hood Dimensions

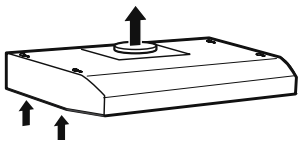


## 300 / 500 Series 30" Under-Cabinet Hoods Venting

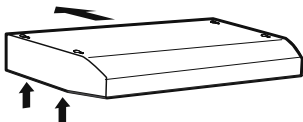
**Vertical discharge:**  
Use a rectangular duct 3 1/4" x 10".....



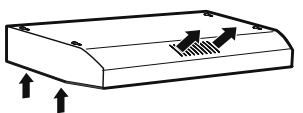
....or use a round 7" duct



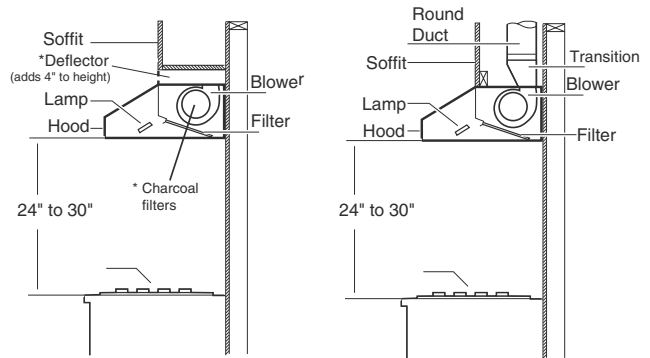
**Horizontal discharge:**  
Use a rectangular duct 3 1/4" x 10"



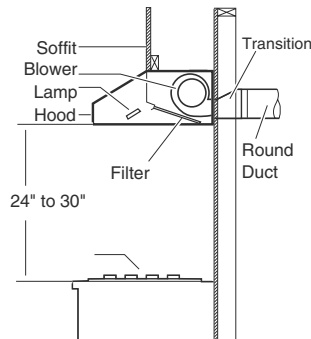
**Recirculating (non vented ductless)**



## 800 Series 30" Under-Cabinet Hood Venting



**Recirculating**  
\* Optional accessory - Ductless recirculation kit. Adds 4" to height of appliance.



Horizontal discharge

# 300 / 500 / 800 Series 36" Under-Cabinet Wall Hoods



**36" 300 Series  
Under-Cabinet Wall Hood  
DUH36152UC**

- 280 CFM
- Incandescent Lights
- Aluminum Mesh Filters
- Three Power Levels



**36" 500 Series  
Under-Cabinet Wall Hood  
DUH36252UC**

- + 400 CFM
- + Halogen Lights (not included)
- Aluminum Mesh Filters
- + Four Power Levels



**36" 800 Series  
Under-Cabinet Wall Hood  
DPH36652UC**

- + 600 CFM
- Incandescent Lights
- Aluminum Mesh Filters
- + Professional Design

+ Indicates a step-up feature

	300 Series	500 Series	800 Series
	Stainless Steel – DUH36152UC	Stainless Steel – DUH36252UC	Stainless Steel – DPH36652UC
<b>General Properties</b>			
Operating mode	Convertible: ducted / recirculating	Convertible: ducted / recirculating	Convertible: ducted / recirculating
Maximum CFM	280 CFM	400 CFM	600 CFM
Number of speed settings	3-stage	4-stage	2-stage
Motor location	Integrated motor in hood body	Integrated motor in hood body	Integrated motor in hood body
Number of lights	2	2 (Not Included)	2
Bulb type	Incandescent	Halogen	Incandescent
Total power of the lamps (W)	80 W	100 W	80 W
Damper included	Yes	Yes	Yes
Grease filter material	Aluminum	Aluminum	Aluminum
Grease filter type	Multilayer cassette	Multilayer cassette	Multilayer cassette
<b>Technical Details</b>			
Watts (W)	N/A	N/A	253 W
Volts (V)	120 V	120 V	120 V
Frequency (Hz)	60 Hz	60 Hz	60 Hz
Plug type	No plug	No plug	No plug
<b>Dimensions &amp; Weight</b>			
Overall appliance dimensions (width of canopy included) (HxWxD) (in.)	5" x 36" x 20"	5" x 36" x 20"	11" x 36" x 23"
Required distance above cooktop / range cooking surface	30" Electric / 30" Gas	30" Electric / 30" Gas	30" Electric / 30" Gas
Diameter of air duct (in.) top	7"	7"	8"
Diameter of air duct (in.) back	3 1/4" x 10" Rectangular	3 1/4" x 10" Rectangular	8"
Net weight (lbs)	41 lbs	41 lbs	34 lbs

**Optional Accessories for 300 and 500 Series Under-Cabinet Hoods**

DHZ3602UC  
Replacement charcoal filter

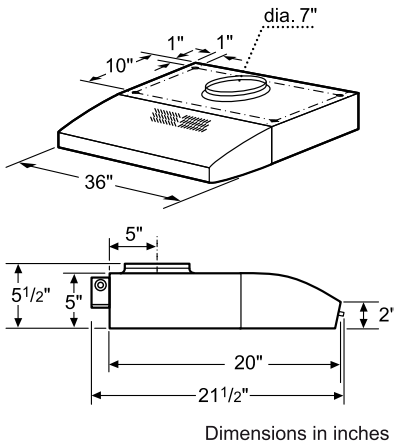
**Optional Accessories for 800 Series Under-Cabinet Hood**

DHZ3052UC  
Replacement charcoal filter

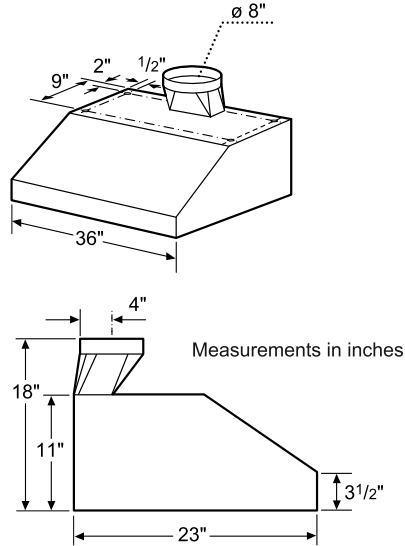
DRZ3652UC  
Recirculation kit  
Adds 4" height to appliance

# 300 / 500 / 800 Series 36" Under-Cabinet Wall Hoods

## 300 / 500 Series 36" Under-Cabinet Hoods Dimensions



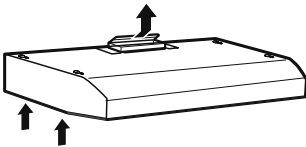
## 800 Series 36" Under-Cabinet Hood Dimensions



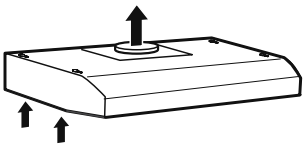
## 300 / 500 Series 36" Under-Cabinet Hoods Venting

### Vertical discharge:

Use a rectangular duct 3 1/4" x 10".....

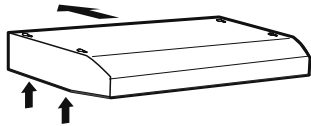


....or use a round 7" duct

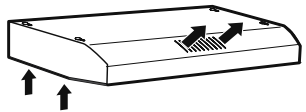


### Horizontal discharge:

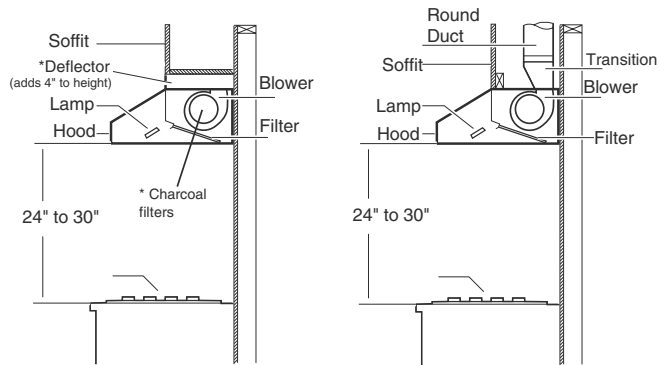
Use a rectangular duct 3 1/4" x 10"



### Recirculating (non vented ductless)



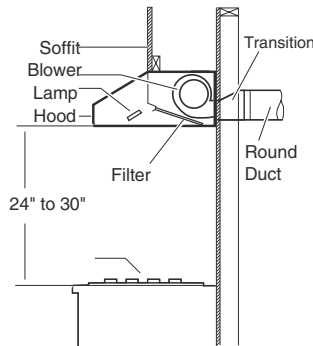
## 800 Series 36" Under-Cabinet Hood Venting



### Recirculating

\* Optional accessory - Ductless recirculation kit. Adds 4" to height of appliance.

### Vertical discharge



### Horizontal discharge

# 800 Series Downdraft Hoods



30" – DHD3014UC



36" – DHD3614UC

## 800 Series Downdraft Hoods

- 13" Telescopic Chimney
- 600 CFM Blower Options (sold separately)
- Stainless Steel Filters with Metal Latch
- Three Power Levels
- Recirculation Option (sold separately)

	30"	36"
	Stainless Steel – DHD3014UC	Stainless Steel – DHD3614UC
<b>General Properties</b>		
Operating mode	Convertible: ducted / recirculating	Convertible: ducted / recirculating
Maximum CFM	Blower Sold Separately	Blower Sold Separately
Number of speed settings	3-stage	3-stage
Motor location	External	External
Damper included	Yes	Yes
Grease filter material	Washable stainless steel	Washable stainless steel
Grease filter type	Multilayer cassette	Multilayer cassette
<b>Technical Details</b>		
Volts (V)	120 V	120 V
Frequency (Hz)	60 Hz	60 Hz
Plug type	120V-3 prong	120V-3 prong
Power cord length (in.)	30"	30"
<b>Dimensions &amp; Weight</b>		
Overall appliance dimensions (width of canopy included) (HxWxD) (in.)	21 5/8" x 31" x 3 3/4"	21 5/8" x 37" x 3 3/4"
Height of the rise (in.)	13"	13"
Diameter of air duct (in.) top	10"	10"
Net weight (lbs)	37 lbs	47 lbs

### Optional Accessories



DHDRM36UC  
Recirculation kit



DHZDHR6  
6" duct transition

NOTE: Required with the installation of inline and remote blowers for downdraft applications only. DHZDHR6 is for 600 CFM which will improve overall performance.



DHG601DUC  
600 CFM Internal Blower



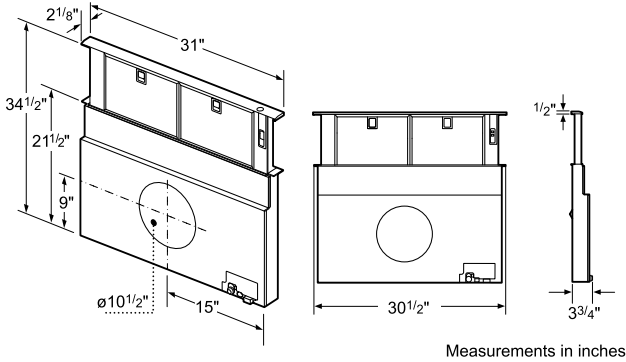
DHG6015NUC  
600 CFM Inline Blower



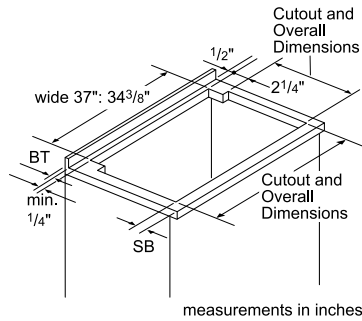
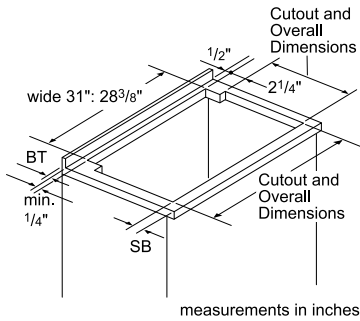
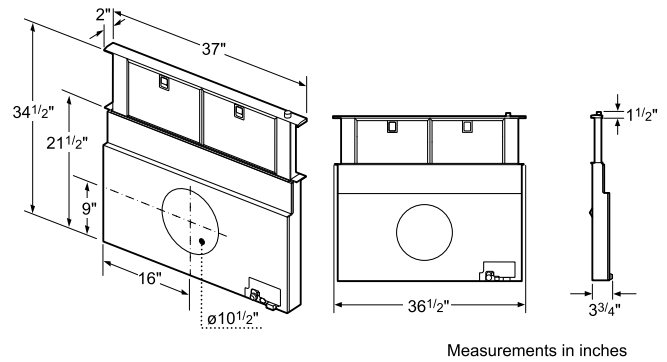
DHG6023RUC  
600 CFM Remote Blower

# 800 Series Downdraft Hoods

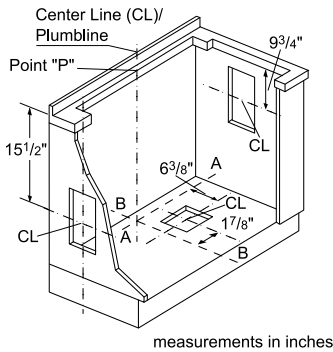
## 30" Downdraft Hood



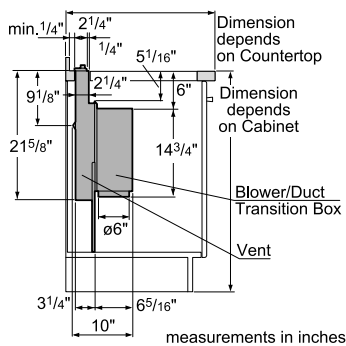
## 36" Downdraft Hood



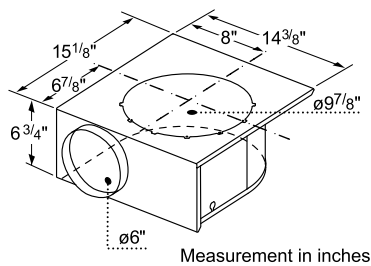
## 30" & 36" Downdraft Hoods



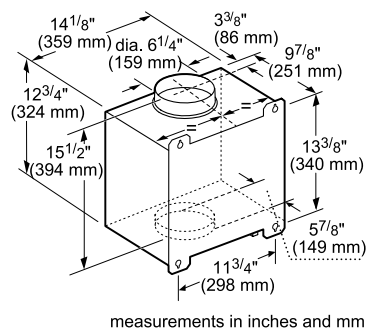
## 30" & 36" Downdraft Hoods



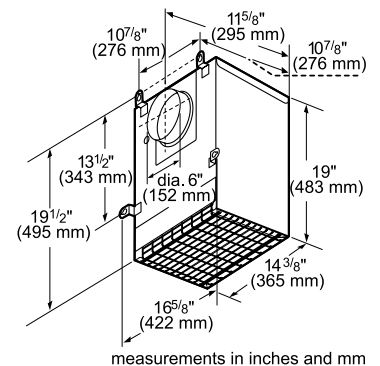
## DHG601DUC 600 CFM Internal Blower



## DHG6015NUC 600 CFM Inline Blower



## DHG6023RUC 600 CFM Remote Blower



# 300 / 500 Series Custom Insert Hoods



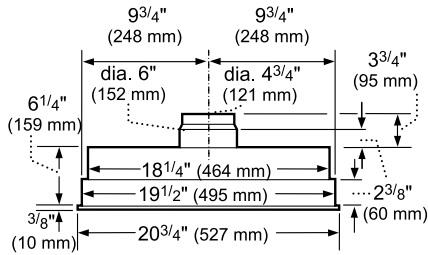
**300 Series**  
**21" – HUI31451UC**  
**500 Series**  
**29" – DHL755BUC**  
**Custom Insert Hoods**

- 400 CFM
- 2 Halogen Lights
- Aluminum Mesh Filters
- Slide Control Switch

	300 Series	500 Series
	21" – HUI31451UC	29" – DHL755BUC
<b>General Properties</b>		
Operating mode	Ducted	Ducted
Maximum CFM	400 CFM	400 CFM
Number of speed settings	3-stage	3-stage
Motor location	Integrated motor in hood body	Integrated motor in hood body
Number of lights	2	2
Bulb type	Halogen	Halogen
Total power of the lamps (W)	40 W	40 W
Damper included	Yes	Yes
Grease filter material	Aluminum	Aluminum
Grease filter type	Multilayer cassette	Multilayer cassette
<b>Technical Details</b>		
Volts (V)	120 V	120 V
Frequency (Hz)	60 Hz	60 Hz
Plug type	120V-3 prong	120V-3 prong
Power cord length (in.)	51"	51"
<b>Dimensions &amp; Weight</b>		
Overall appliance dimensions (width of canopy included) (HxWxD) (in.)	10" x 20 <sup>3</sup> / <sub>4</sub> " x 15"	6 <sup>1</sup> / <sub>4</sub> " / x 28 <sup>11</sup> / <sub>16</sub> " x 15"
Required distance above cooktop / range cooking surface	30" Electric / 30" Gas	30" Electric / 30" Gas
Diameter of air duct (in.) top	6"	6"
Net weight (lbs)	19 lbs	23 lbs

# 300 / 500 Series Custom Insert Hoods

## 21" Custom Insert Hood



measurements in inches and mm

## 29" Custom Insert Hood

