



- Owner's Use and Care Guide
- Guide d'utilisation et soin de Propriétaire
- Guía a utilizar y a cuidar del Proprietario

**MICROWAVE
MICRO-ONDES
MICROONDA**

Model • Modèle • Modelo

**DMW14SA1WDB
DMW14SA1BDB**



Contents

IMPORTANT SAFETY INSTRUCTIONS.....	3
GROUNDING INSTRUCTIONS.....	4
PRECAUTIONS TO AVOID POSSIBLE EXPOSURE TO EXCESSIVE MICROWAVE ENERGY.....	5
PERMISSIBLE MATERIALS.....	5, 6
INSTALLATION GUIDE.....	6
SPECIFICATIONS.....	7
PART NAMES.....	7
CONTROL PANEL.....	7
OPERATION INSTRUCTIONS.....	9
Setting the clock.....	9
Setting the oven timer.....	9
Setting a cooking program.....	10-13
Defrost by weight.....	10
Setting child lock.....	13
Reminder function.....	14
QUICK COOK SETTINGS.....	11
COOKING TECHNIQUES.....	14
CLEANING AND CARE.....	15
TROUBLESHOOTING	16
WARRANTY	17



Important Safety Information

READ AND FOLLOW ALL SAFETY INSTRUCTIONS

IMPORTANT WARNING

To reduce the risk of fire, electric shock or injury to persons or exposure of excessive microwave energy when using your appliance, please adhere to the following instructions:

1. Read all instructions before using the appliance.
2. Read and follow the specific "PRECAUTIONS TO AVOID POSSIBLE EXPOSURE TO EXCESSIVE MICROWAVE ENERGY" on page 5.
3. This appliance must be grounded. Connect only to properly grounded outlet. See "GROUNDING INSTRUCTIONS" on page 4.
4. Install or locate this appliance only in accordance with the provided installation instructions.
5. Some products such as whole eggs and sealed containers -for example, closed glass jars could explode and should not be heated in this oven.
6. Use this appliance only for its intended use as described in this manual. Do not use corrosive chemicals or vapors in this appliance. This type of oven is specifically designed to heat, cook, or dry food. It is not designed for industrial or laboratory use.
7. As with any appliance, close supervision is necessary when used by children.
8. To reduce the risk of fire in the oven cavity:
 - a. Do not overcook food. Carefully attend appliance when paper, plastic, or other combustible materials are placed inside the oven to facilitate cooking.
 - b. Remove wire twist-ties from paper or plastic bags before placing bag in oven.
 - c. If materials inside the oven should ignite, keep oven door closed, turn oven off, and disconnect the power cord or shut off power at the fuse or circuit breaker panel.
 - d. Do not use the cavity for storage purposes. Do not leave paper products, cooking utensils or food in the cavity when not in use.
9. Liquids, such as water, coffee, or tea are able to be overheated beyond the boiling point without appearing to be boiling due to surface tension of the liquid. Visible bubbling or boiling when the container is removed from the microwave oven is not always present. THIS COULD RESULT IN VERY HOT LIQUIDS SUDDENLY BOILING OVER WHEN A SPOON OR OTHER UTENSIL IS INSERTED INTO THE LIQUID. To reduce the risk of injury to person:
 - a. Do not overheat the liquid.
 - b. Stir the liquid both before and halfway through heating it.
 - c. Do not use straight-sided containers with narrow necks.
 - d. After heating, allow the container to stand in the microwave oven for short time before removing the container.
 - e. Use extreme care when inserting a spoon or other utensil into the container.
10. Do not heat oil or fat for deep-frying. It is difficult to control the temperature of oil in microwave oven.
11. Pierce foods with heavy skins such as potatoes, whole squash, apples and chestnuts before cooking.
12. The contents of feeding bottles and baby jars should be stirred or shaken and the temperature should be checked before serving in order to avoid burns.
13. Cooking utensils may become hot because of heat transferred from the heated food. Oven mitts may be needed to handle the utensil.
14. Do not cover or block any openings on the appliance.
15. Do not store or use this appliance outdoors. Do not use this product near water, for example, near a kitchen sink, in a wet basement, near a swimming pool, or similar locations.
16. Do not operate this appliance if it has a damaged cord or a plug, if it is not working properly or if it has been damaged or dropped.
17. Do not immerse cord or plug in water. Keep cord away from heated surface. Do not let cord hang over the edge of a table or counter.

SAVE THESE INSTRUCTIONS



GROUNDING INSTRUCTIONS

DANGER: ELECTRIC SHOCK HAZARD

Touching some of the internal components can cause serious injury or death. **DO NOT** disassemble this appliance.

WARNING: ELECTRIC SHOCK HAZARD

Improper grounding can result in electric shock. Do not plug unit into an outlet until the appliance is properly grounded.

**Three-pronged
(grounding) plug**



This appliance must be grounded. In the event of an electrical short circuit, grounding reduces the risk of electric shock by providing an escape wire for the electric current. This appliance comes with a cord that is equipped with a grounding wire and grounding plug. The plug must be plugged into an outlet that is properly installed and grounded.

Consult a qualified electrician or serviceman if the grounding instructions are not completely understood or if doubt exists as to whether the appliance is properly grounded. If it is necessary to use an extension cord, use only a 3-wire extension cord that has a 3-pronged grounding plug, and a 3-slot receptacle that will accept the plug on the appliance. The marked rating of the extension cord shall be equal to or greater than the electrical rating of the appliance.

A short power-supply cord is provided to reduce the risks resulting from becoming entangled in or tripping over a longer cord.

Longer cord sets or extension cords are available and may be used if care is exercised in their use.

If a long cord set or extension cord is used:

- 1) The marked electrical rating of the cord set or extension cord should be at least as great as the electrical rating of the appliance
- 2) The extension cord must be a grounding type 3 wire cord, and;
- 3) The cord should be arranged so that it will not drape over the countertop or tabletop where it could be pulled on by children or tripped over unintentionally.

RADIO INTERFERENCE

Operation of the microwave oven may cause interference to your radio, TV or similar equipment. When there is interference, it can be reduced or eliminated by taking the following action:

- 1) Clean door and sealing surface of oven
- 2) Reposition the receiving antenna of the radio or television
- 3) Relocate the microwave oven with respect to the receiver
- 4) Move the microwave oven away from the receiver
5. Plug the microwave oven into a different outlet so that microwave oven and receiver are on different branch circuits

PRECAUTIONS TO AVOID POSSIBLE EXPOSURE TO EXCESSIVE MICROWAVE ENERGY

1) Do not attempt to operate this oven with the door open since this can result in harmful exposure to microwave energy. It is important not to damage or tamper with the safety locks.

2) Do not place any object between the oven front face and the door, or allow soil or cleaning residue to accumulate on sealing surfaces.

3) **Do not operate the oven if it is damaged.** It is particularly important that the door closes properly and there is no damage to the:

(A) **door** (bent,)

(B) **hinges and latches** (broken or loose,)

(C) **door seals and sealing surface.**

4) The oven should not be adjusted or repaired by anyone except qualified service personnel.

PERMISSIBLE MATERIALS

CAUTION: PERSONAL INJURY HAZARD

Tightly-closed containers could explode. Closed containers should be opened and plastic pouches should be pierced before cooking.

This section lists which utensils can be used in the microwave, which ones have limited use for short periods, and which ones should not be used in the microwave.

RECOMMENDED

Microwave browning dish — Use to brown the exterior of small items such as steaks, chops, or pancakes. Follow the directions provided with your browning dish.

Microwaveable plastic wrap — Use to retain steam. Leave a small opening for some steam to escape and avoid placing it directly on the food.

Paper towels and napkins — Use for short-term heating and covering; these absorb excess moisture and prevent spattering. Do not use recycled paper towels, which may contain metal and could ignite.

Glass and glass-ceramic bowls and dishes — Use for heating or cooking.

Paper plates and cups — Use for short-term heating at low temperatures. Do not use recycled paper, which may contain metal and could ignite.

Wax paper — Use as a cover to prevent spattering.

Thermometers — Use only those labeled “Microwave Safe” and follow all directions. Check the food in several places. Conventional thermometers may be used on microwave food once the food has been removed from the oven.

LIMITED USE

Aluminum foil — Use narrow strips of foil to prevent overcooking of exposed areas. Using too much foil can damage your oven, so be careful. You should keep distance of 1 inch (2.54cm) between aluminum foil and cavity.

Ceramic, porcelain, and stoneware— Use these if they are labeled “Microwave Safe”. If they are not labeled, test them to make sure they can be used safely.

Plastic — Use only if labeled “Microwave Safe”. Other plastics can melt.

NOT RECOMMENDED

Glass jars and bottles — Regular glass is too thin to be used in a microwave. It can shatter and cause damage and injury.

Paper bags — These are a fire hazard, except for popcorn bags that are designed for microwave use.

Styrofoam plates and cups — These can melt and leave an unhealthy residue on food.

Plastic storage and food containers — Containers such as margarine tubs can melt in the microwave.

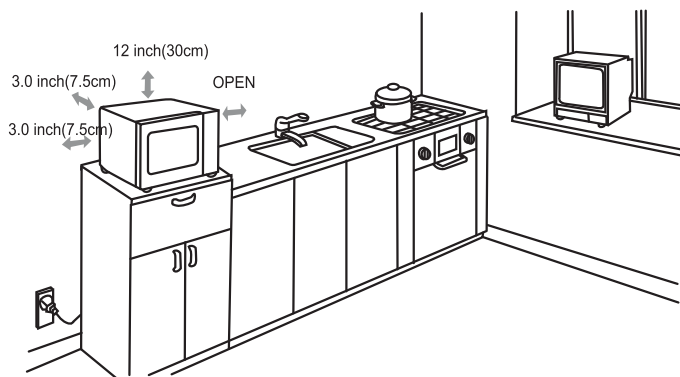
Metal utensils — These can damage your oven. Remove all metal before cooking.

Note:

Should you wish to check if a dish is safe for microwaving, place the empty dish in the oven and microwave on HIGH for 30 seconds. A dish which becomes very hot should not be used.

Installation Guide

1. Make sure that all the packing materials are removed from the inside of the door or on cabinet surface. **Do not remove the light brown mica sheet that is attached to the oven cavity to protect the magnetron.**
2. Check the oven for any damage, such as a misaligned or bent door, damaged door seals and sealing surface, broken or loose door hinges and latches and dents inside the cavity or on the door. If there is any damage, do not operate the oven but contact qualified service personnel
3. This microwave oven must be placed on a flat, stable surface to hold its weight and the heaviest food likely to be cooked in the oven.
4. Do not place the oven where heat, moisture, or high humidity are generated, or near combustible materials.
5. For correct operation, the oven must have sufficient airflow. Allow 30cm of space above the oven, 7.5cm at back and 7.5cm at both sides (see diagram.) Do not cover or block any openings on the appliance. Do not remove feet on which oven stands.
6. Do not operate the oven without glass tray, roller support, and shaft in their proper positions.
7. Make sure that the power supply cord is undamaged and does not run under the oven or over any hot or sharp surface.
8. The socket must be readily accessible so that it can be easily unplugged in an emergency. The socket must have the same voltage and frequency as the rating label of the appliance.
9. Place the microwave oven away from radios and tvs to avoid interference.

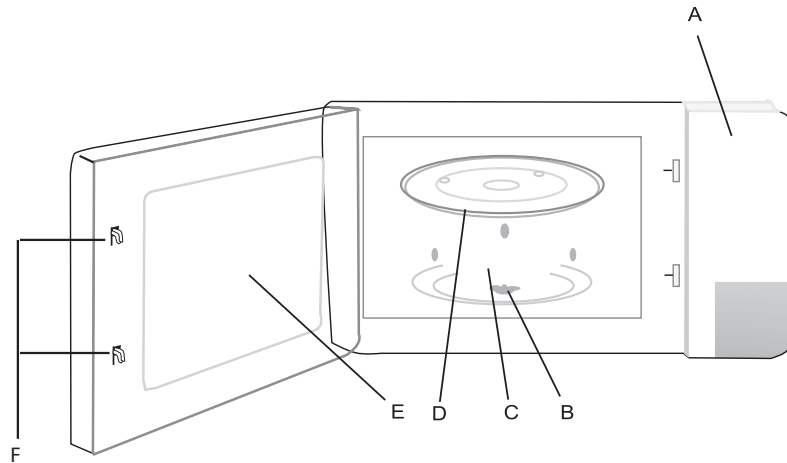




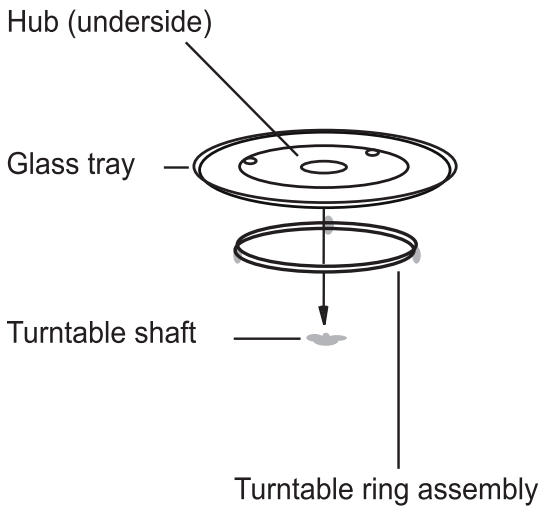
Operating Instructions

PART NAMES

- A. Control Panel
- B. Turntable shaft
- C. Roller Ring
- D. Glass Tray
- E. Oven window
- F. Locking Mechanism



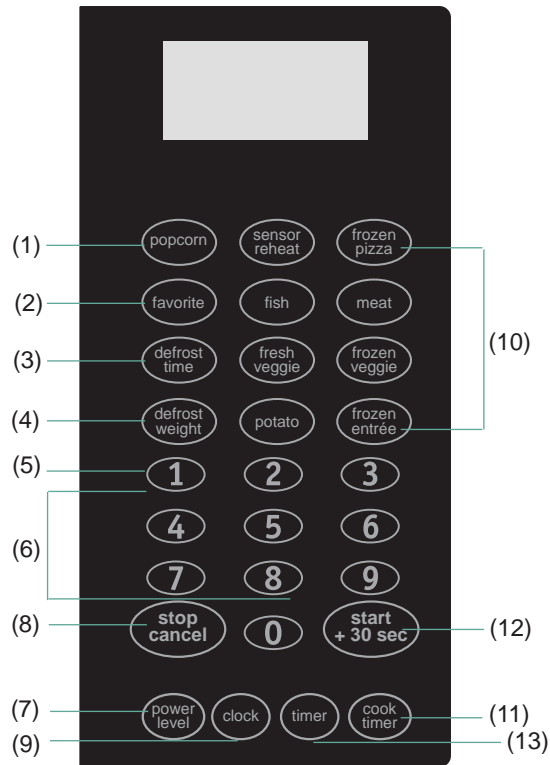
TURNTABLE INSTALLATION





Operating Instructions

Control Panel and Features



- 1) **Popcorn:** Quick cook button
- 2) **Favorite:** Programmed cooking based on your favorite settings
- 3) **Defrost time:** Programmed defrosting based on a set time
- 4) **Defrost weight:** Programmed defrosting based on the weight of the foods to be defrosted.
- 5) **Easysset buttons:** Automatically sets cook time for number on button
- 6) **Number keys:** Touch to set time or amount.
- 7) **Power level:** Use to set power levels other than high.
- 8) **Stop/Cancel:** Clears settings or stops operation.
- 9) **Clock:** Use to set current time.
- 10) **Auto menu:** Instant settings to cook popular foods.
- 11) **Cook timer:** Used to enter a cooking time
- 12) **Start/+30 Sec:** Starts microwave operation or adds 30 seconds to total cook time
- 13) **Timer:** Timer functions independently, even while a cooking program is in process.



Operating Instructions

SIGNALS DURING OVEN SETTINGS

ONE SIGNAL: Oven accepts the entry.

TWO SIGNALS: Oven does not accept the entry. Check and try again.

SETTING THE CLOCK

1. Touch CLOCK pad.
2. Use the number pads to enter the correct time.

Note: This is a 12 hour clock. Only numbers between the range of 1:00-12:59 can be set.

3. Touch CLOCK pad again.

NOTE:

When the oven is first plugged in or when power resumes after a power interruption, the display will show ENTER CLOCK TIME. If you prefer not to have the clock displayed, touch RESET.

When setting the clock, if the stop/cancel button is pressed or if there is no operation after 1 minute, the oven will go back to its resting state automatically.

You can check the clock time during cooking by touching the CLOCK pad.

SETTING THE TIMER

1. Touch TIMER.
2. Enter the amount of time by touching the number pads (the maximum time is 99 minutes 99 seconds.)
3. Touch START/+30SEC.

NOTE:

Time countdown can be seen in display for 5 seconds before clock or cooking time is returned to display.

Touch TIMER and then touch RESET to cancel TIMER during timing process.

During timer operation, quick cook programs cannot be set. Time cannot be increased by pressing START/+30SEC.



Operating Instructions

SETTING A COOKING PROGRAM

A. One-stage Cooking

1. Use the number pads to set a cooking time. You can set a cooking time from one second to 99 minutes and 99 seconds.
2. If you want to set a power level other than 100% power, touch POWER LEVEL, then use the number pads to enter the power level. You can set the power level from 1 to 9.
3. Touch START/+30SEC to start cooking.

B. Two Stage Cooking:

Some recipes require different stages of cooking at different temperatures.

1. SET STAGE 1:

Follow steps 1 and 2 in "One-stage Cooking". DO NOT TOUCH START/STOP

2. SET STAGE 2:

Touch COOK then enter proper cooking time and (lower) power level.

3. Touch START/STOP.

NOTE:

- During cooking, you can check the power by pressing POWER LEVEL pad.

Cooking Power	100%	90%	80%	70%	60%	50%	40%	30%	20%	10%
Number Pad	1,0	9	8	7	6	5	4	3	2	1

EASYSET BUTTONS

Cooking at 100% power level in 1, 2, or 3 minute increments can be achieved instantly by pressing the number pads 1, 2 or 3. Press Start/+30SEC to increase cooking time by 30 seconds. Max cooking time is 99 minutes and 99 seconds.

To instantly start cooking at 100% power for 30 seconds, simply press the Start/+30SEC button. Each time it is pressed will increase the cooking time by 30 seconds, up to 99 minutes and 99 seconds.

DEFROST WEIGHT

1. Touch DEFROST WEIGHT button.
2. Enter weight using number pad(the maximum weight you can enter is 6.3 lbs.)
3. Touch START/+30SEC pad.

NOTE:

- Weight must be in pounds and ounces. Ounce weights less than 10 must be preceded by a 0. If label gives weight in pounds only, change the fraction of a pound to ounces using the chart provided on the next page.
- You may need to turn food over during cooking, then press START/STOP to resume.



Operating Instructions

Converting Fractions of a Pound to Ounces	
Fractions of a Pound	Ounces
Less than 3	0
.03 to .09	1
.10 to .15	2
.16 to .21	3
.22 to .27	4
.28 to .34	5
.35 to .40	6
.41 to .46	7
.47 to .53	8
.54 to .59	9
.60 to .65	10
.66 to .71	11
.72 to .78	12
.79 to .84	13
.85 to .90	14
.91 to .97	15
above .97	Go to next even

DEFROST TIME

1. Touch DEFROST TIME.
2. Enter desired defrosting time by touching correct number pads (the maximum time is 99 minutes 99 seconds).
3. Touch START/STOP.

POPCORN

1. Press POPCORN repeatedly until the weight you require appears in the display.
 Press once for a 3.0 oz standard size popcorn bag, and the display will show 3.0.
 Press twice for a 1.75 oz personal size popcorn bag, and the display will show 1.75.
 Press three times for a 3.5 oz family size popcorn bag, and the display will show 3.5.
 Press START/+30SEC



Operating Instructions

AUTO MENU

To cook popular foods, (frozen pizza, fish, meat, fresh vegetables, frozen vegetables, potatoes, frozen entrees,) simply choose the correct button from the auto menu options, insert the food in the microwave and press START/+30SEC. There is no need to set time or power.

The sensor will sound twice when steam is detected, and will display time remaining. The buzzer will sound 5 times when cooking is done.

For best results:

- 1) Room temperature cannot be higher than 35 degrees Fahrenheit.
- 2) The food must weigh more than 110g/4oz.
- 3) The cavity and glass tray and food containers must be dry upon entry.
- 4) The door must kept closed until after the sensor sounds twice. Do not open the oven door or press STOP/CANCEL until after the sensor beeps, otherwise the sensor will err. After it sounds twice and the display begins to count down you may open the door to stir the food and then resume operation.

Menu	Weight	Inicial Temp.	Additional Instructions
SC-1 Sensor Reheat	8~12 Oz	5 degrees	Reheat food is dinner plate. When sensor time finish, Cooking time counts down.Now you can mix it and then continue reheating.
SC-2 Frozen Pizza	6~12 Oz (170~340g)	minus 18 degrees	If the weight is over 12 OZ,please set the additional cooking time manually.
SC-3 Fish	4~16 g (110~450g)	5 degrees	Arrange in a single layer. Cover with lid or vented plastic wrap.Cover the film before cooking and leave a spacing near the edge of the container in order to let the steam out. When cooking time counts down, press "STOP" to pause and open the oven door to turn over and then continue to cook.
SC-4 Meat	8~24 Oz (225~680g)	5 degrees	Break apart in glass bowl or colander. Cover with lid or vented plastic wrap. Juices should be clear when done, Drain.When cooking time counts down. Press "STOP" to pause and open the oven door to mix and then continue to cook.
SC-5 Fresh Vegetable	4~16Oz (110~450g)	Room Temp.	All pieces should be the same size. Wash thoroughly, add 15ml water per 125g vegetables, and cover with a lid or vented plastic wrap. When cooking time counts down. Press "STOP" to pause and open the oven door to mix and then continue to cook.
SC-6 Frozen Vegetable	6~16Oz (170~450g)	minus 18 degrees	Wash thoroughly, add 15ml water per 125g vegetables, and cover with a lid or vented plastic wrap. Do not salt/butter vegetables until after cooking.
SC-7 Potato	1~4 Units (6~8Oz each one)	Room Temp.	Pierce each potato with a fork 6 times around it's surface. Place potatoes around the edge of a paper-towel-lined turntable. Do not cover. If additional time is needed, continue to cook manually. Please let stand for 5 minutes in the oven after finishing to avoid burning.
SC-8 Frozen entree	8~32 Oz (225~900g)	minus 18 degrees	Be careful when removing the film cover after cooking. Remove Facing away from you to avoid steam burns. If additional time is needed, continue to cook manually. Cover the film before cooking and leave a spacing near the edge of the container in order to let the steam out. When buzzer sound twice, cooking time counts down. Press "STOP" to pause and open the oven door to mix.



Operating Instructions

SENSOR REHEAT

- 1) Press SENSOR REHEAT and place food into the oven. 'SC-1' will display.
- 2) Press START/+30SEC to start the sensor reheat function, there is no need to set a time.
- 3) The sensor will sound twice when it senses steam. The remaining cook time will be displayed, and the unit will sound 5 times when cooking is done.

The oven cannot sensor reheat when the temperature of the oven cavity is already high.

Food to be reheated must have a vented cover.

Use microwave safe platters only.

During sensor reheat, please do not open the door or press the STOP/CANCEL button.

Food to avoid in sensor reheat mode:

- Bread and other dry foods like biscuits, pastry.
- Raw or uncooked foods
- Beverages and frozen foods

FAVORITE

This microwave oven is capable of remembering up to 3 favorite settings. To set a favorite power level and time setting:

- 1) Press FAVORITE once to set favorite setting one, twice to set favorite setting two, and three times to set favorite setting 3.
- 2) Press COOK TIME, then enter cooking time using number pad.
- 3) Press POWER LEVEL, press number corresponding with desired power level
- 4) Press FAVORITE to save the setting.
- 5) To run the favorite program, press FAVORITE the number of times that corresponds with the favorite setting number (once for favorite setting one, twice for favorite setting two etc.) then press START/+30SEC.

Note: The auto menu functions cannot be saved as favorites.

SETTING INQUIRY

While the oven is cooking, you may press CLOCK to display the time for three seconds before the display returns to the cooking time.

While the oven is cooking, you may press POWER LEVEL to display the current power level. After three seconds, the display will return to the cooking time.

SETTING CHILD LOCK

The safety lock prevents unsupervised operation by children.

To set, press and hold STOP/CANCEL for 3 seconds. A long 'beep' will indicate that the setting has been accepted.

To cancel, press and hold STOP/CANCEL for 3 seconds. A long 'beep' will indicate that the setting has been accepted.



Operating Instructions

REMINDING FUNCTION If the door isn't opened after cooking has finished, the buzzer will sound 5 times to remind the user that cooking has finished.

OTHER

1) In standby mode, if the current time is set, the : icon will flash, otherwise it shows 0:00

2) When setting a function, the corresponding setting icon will display

3) When operating or paused, the microwave oven will display the remaining cook time.



Operating Instructions

COOKING TECHNIQUES

Your microwave makes cooking easier than conventional cooking, provided you keep these considerations in mind:

STIRRING - Stir foods such as casseroles and vegetables while cooking to distribute heat evenly. Food at the outside of the dish absorbs more energy and heats more quickly, so stir from the outside to the centre. The oven will turn off when you open the door to stir your food.

ARRANGEMENT - Arrange unevenly shaped foods, such as chicken pieces or chops, with the thicker, meatier parts toward the outside of the turntable where they receive more microwave energy. To prevent overcooking, place delicate areas, such as asparagus tips, toward the centre of the turntable.

SHIELDING - Shield food with narrow strips of aluminum foil to prevent overcooking. Areas that need shielding include poultry wing tips, the ends of poultry legs, and corners of square baking dishes. Use only small amounts of aluminum foil. Larger amounts can damage your oven.

TURNING - Turn foods over midway through cooking to expose all parts to microwave energy. This is especially important with large foods such as roasts.

STANDING - Foods cooked in the microwave build up internal heat and continue to cook for a few minutes after heating stops. Let foods stand to complete cooking, especially foods such as cakes and whole vegetables. Roasts need this time to complete cooking in the centre without overcooking the outer areas. All liquids, such as soup or hot chocolate, should be shaken or stirred when cooking is complete. Let liquids stand a moment before serving. When heating baby food, stir well at removal and test the temperature before serving.

ADDING MOISTURE - Microwave energy is attracted to water molecules. Food that is uneven in moisture content should be covered or allowed to stand so that the heat disperses evenly. Add a small amount of water to dry food to help it cook.



Care and Maintenance

- 1) Turn off the oven and remove the power plug from the wall socket before cleaning.
- 2) Keep the inside of the oven clean. When food splatters or spilled liquids adhere to oven walls, wipe with a damp cloth. Mild detergent may be used if the oven gets very dirty. Avoid the use of spray and other harsh cleaners as they may stain, streak or dull the door surface.
- 3) The outside surfaces should be cleaned with a damp cloth. To prevent damage to the operating parts inside the oven, water should not be allowed to seep into the ventilation openings.
- 4) Wipe the window on both sides with a damp cloth to remove any spills or spatters.
- 5) Do not allow the control panel to become wet. Clean with a soft, damp cloth. When cleaning the control panel, leave oven door open to prevent oven from accidentally turning on.
- 6) If steam accumulates inside or around the outside of the oven door, wipe with a soft cloth. This may occur when the microwave oven is operated under high humidity conditions; this is normal.
- 7) It is occasionally necessary to remove the glass tray for cleaning. Wash the tray in warm soapy water or in a dishwasher.
- 8) The roller ring and oven floor should be cleaned regularly to avoid excessive noise. Simply wipe the bottom surface of the oven with mild detergent. The roller ring may be washed in mild soapy water or dishwasher. When removing the roller ring from cavity floor for cleaning, be sure to replace in the proper position.
- 9) Remove odors from your oven by combining a cup of water with the juice and skin of one lemon in a deep bowl, microwave for 5 minutes. Wipe thoroughly and dry with a soft cloth.
- 10) When it becomes necessary to replace the oven light, please consult a dealer to have it replaced.
- 11) When cleaning the surface of the door or oven, use only mild non abrasive soaps or detergents applied with a sponge or soft cloth.
12. Please do not dispose of this appliance in a domestic trash bin; it should be disposed of at the appropriate disposal centre provided by the municipalities.



Troubleshooting

Occasionally, a problem may arise that is minor in nature, and a service call may not be necessary. Use this troubleshooting guide for a possible solution. If the unit continues to operate improperly, call an authorized service depot or Danby's **Toll Free Number 1-800-263-2629 for assistance.**

PROBLEM	POSSIBLE CAUSE	SOLUTION
Oven will not start	<ul style="list-style-type: none">a. Electrical cord for oven is not plugged in.b. Door is open.c. Wrong operation is set.	<ul style="list-style-type: none">a. Plug into the outlet.b. Close the door and try again.c. Check instructions.
Arcing or sparking	<ul style="list-style-type: none">a. Materials to be avoided in microwave oven were used.b. The oven is operated when empty.c. Spilled food remains in the cavity.	<ul style="list-style-type: none">a. Use microwave-safe cookware only.b. Do not operate with oven empty.c. Clean cavity with wet towel.
Unevenly cooked foods	<ul style="list-style-type: none">a. Materials to be avoided in microwave oven were used.b. Food is not defrosted completely.c. Cooking time, power level is not suitable.d. Food is not turned or stirred.	<ul style="list-style-type: none">a. Use microwave-safe cookware only.b. Completely defrost food.c. Use correct cooking time, power level.d. Turn or stir food.
Overcooked foods	Cooking time, power level is not suitable.	Use correct cooking time, power level.
Under-cooked foods	<ul style="list-style-type: none">a. Materials to be avoided in microwave oven were used.b. Food is not defrosted completely.c. Oven ventilation ports are restricted.d. Cooking time, power level is not suitable.	<ul style="list-style-type: none">a. Use microwave-safe cookware only.b. Completely defrost food.c. Check to see that oven ventilation ports are not restricted.d. Use correct cooking time, power level.
Poor Defrosting	<ul style="list-style-type: none">a. Materials to be avoided in microwave oven were usedb. Cooking time, power level settings unsuitable.c. Food wasn't turned or stirred	<ul style="list-style-type: none">a. Use microwave-safe cookware only.b. Use correct cooking time and power levelc. Stir or turn food during defrosting.

Danby[®] LIMITED APPLIANCE WARRANTY

This quality product is warranted to be free from manufacturer's defects in material and workmanship, provided that the unit is used under the normal operating conditions intended by the manufacturer.

This warranty is available only to the person to whom the unit was originally sold by Danby Products Limited (Canada) or Danby Products Inc. (U.S.A.) (hereafter "Danby") or by an authorized distributor of Danby, and is non-transferable.

TERMS OF WARRANTY

Plastic parts, are warranted for thirty (30) days only from purchase date, with no extensions provided.

First Year During the first twelve (12) months, any functional parts of this product found to be defective, will be repaired or replaced, at warrantor's option, at no charge to the ORIGINAL purchaser.

To obtain Service It will be the consumer's responsibility to transport the appliance (at their own expense) to the original retailer (point of purchase) or a service depot for repair. Contact your dealer from whom your unit was purchased, or contact your nearest authorized Danby service depot, where service must be performed by a qualified service technician.

If service is performed on the unit by anyone other than an authorized service depot, or the unit is used for commercial application, all obligations of Danby under this warranty shall be void.

Nothing within this warranty shall imply that Danby will be responsible or liable for any spoilage or damage to food or other contents of this appliance, whether due to any defect of the appliance, or its use, whether proper or improper.

EXCLUSIONS

Save as herein provided, Danby, there are no other warranties, conditions, representations or guarantees, express or implied, made or intended by Danby or its authorized distributors and all other warranties, conditions, representations or guarantees, including any warranties, conditions, representations or guarantees under any Sale of Goods Act or like legislation or statute is hereby expressly excluded. Save as herein provided, Danby shall not be responsible for any damages to persons or property, including the unit itself, howsoever caused or any consequential damages arising from the malfunction of the unit and by the purchase of the unit, the purchaser does hereby agree to indemnify and hold harmless Danby from any claim for damages to persons or property caused by the unit.

GENERAL PROVISIONS

No warranty or insurance herein contained or set out shall apply when damage or repair is caused by any of the following:

- 1) Power failure.
- 2) Damage in transit or when moving the appliance.
- 3) Improper power supply such as low voltage, defective house wiring or inadequate fuses.
- 4) Accident, alteration, abuse or misuse of the appliance such as inadequate air circulation in the room or abnormal operating conditions (extremely high or low room temperature).
- 5) Use for commercial or industrial purposes (ie. If the appliance is not installed in a domestic residence).
- 6) Fire, water damage, theft, war, riot, hostility, acts of God such as hurricanes, floods etc.
- 7) Service calls resulting in customer education.
- 8) Improper Installation (ie. Building-in of a free standing appliance or using an appliance outdoors that is not approved for outdoor application).

Proof of purchase date will be required for warranty claims; so, please retain bill of sale. In the event warranty service is required, present this document to our AUTHORIZED SERVICE DEPOT.

Warranty Service
Carry-In

Danby Products Limited
PO Box 1778, Guelph, Ontario, Canada N1H 6Z9
Telephone: (519) 837-0920 FAX: (519) 837-0449

1-800-263-2629

Danby Products Inc
PO Box 669, Findlay, Ohio, U.S.A. 45840
Telephone: (419) 425-8627 FAX: (419) 425-8629

Table des matières

RENSEIGNEMENTS IMPORTANTS RELATIFS À LA SÉCURITÉ.....	19
INSTRUCTIONS RELATIVES À LA MISE À LA TERRE.....	20
PRÉCAUTIONS NÉCESSAIRES POUR ÉVITER UNE EXPOSITION POTENTIELLE À DE L'ÉNERGIE MICRO-ONDE.....	21
MATÉRIAUX AUTORISÉS.....	21-22
MANUEL D'INSTALLATION.....	22
SPÉCIFICATIONS.....	23
NOMS DE PIÈCES	23
PANNEAU DE COMMANDE.....	24
MODE D'EMPLOI.....	25
Réglage de l'horloge.....	25
Réglage de la minuterie.....	25
Réglage d'un programme de cuisson.....	26
Dégivrage en fonction du poids.....	26
Réglage de la sécurité pour les enfants.....	29
Aide-mémoire auto.....	30
PARAMÈTRES DE CUISSON RAPIDE.....	27
TECHNIQUES DE CUISSON.....	30
NETTOYAGE ET ENTRETIEN.....	31
DÉPANNAGE	32
GARANTIE	33



Renseignements importants relatifs à la sécurité

LISEZ ET RESPECTEZ TOUTES LES CONSIGNES RELATIVES À LA SÉCURITÉ

PRÉCAUTION IMPORTANTE

Afin de réduire les risques d'incendie, d'électrocutions, de blessures humaines ou d'exposition à une énergie des micro-ondes excessive lorsque vous utilisez votre appareil, veuillez vous conformer aux instructions suivantes

1. Lisez toutes ces instructions avant d'utiliser l'appareil.
2. Lisez la section « PRÉCAUTIONS À PRENDRE POUR ÉVITER UNE EXPOSITION POSSIBLE À L'ÉNERGIE EXCESSIVE DES MICRO-ONDES » à la page 5, puis suivez les instructions.
3. Cet appareil doit être mis à la terre. Ne branchez cet appareil que sur une prise correctement mise à la terre. Voir « INSTRUCTIONS RELATIVES À LA MISE À LA TERRE » à la page 4.
4. N'installez ou placez cet appareil que conformément aux instructions d'installation fournies.
5. Certains produits, tels que les œufs entiers et les récipients hermétiques, par exemple les bocaux en verre fermés, pourraient exploser et ne doivent pas être réchauffés dans ce four.
6. Utilisez cet appareil uniquement pour ce à quoi il est destiné, tel qu'il est décrit dans le présent manuel. Ne pas utiliser de produits chimiques corrosifs ou de vapeurs corrosives dans cet appareil. Ce type de four est conçu spécialement pour chauffer, cuire ou assécher de la nourriture. Il n'est pas conçu pour une utilisation industrielle ou en laboratoire.
7. Comme avec tout appareil, une supervision est indispensable lorsqu'il est utilisé par un enfant.
8. Afin de réduire le risque d'incendie dans la cavité du four :
 - a. Ne pas faire cuire les aliments trop longtemps. Surveillez minutieusement l'appareil lorsque du papier, du plastique ou toute autre matière inflammable est placée dans le four pour faciliter la cuisson.
 - b. Retirez les liens torsadés de l'emballage en papier ou en plastique avant de placer le sac dans le four.
 - c. Si une matière dans le four prend feu, laissez la porte du four fermée, éteignez le four et débranchez le cordon d'alimentation ou coupez l'alimentation au fusible ou au panneau de disjoncteurs.
 - d. Ne pas utiliser la cavité à des fins d'entreposage. Ne laissez pas de produits en papier, d'ustensiles de cuisine ou de nourriture dans la cavité du four lorsque celui-ci n'est pas utilisé.
9. Les liquides, tels que l'eau, le café ou le thé peuvent chauffer au-delà de leur point d'ébullition, sans qu'ils ne bouillent, ceci étant dû à la tension superficielle du liquide. Des bulles ou d'autres signes visibles d'ébullition ne sont pas toujours présents lorsque le récipient est sorti du four à micro-ondes. CELA PEUT ENTRAÎNER LE DÉBORDEMENT SOUDAIN DE LIQUIDES BRÛLANTS LORSQU'UNE CUILLÈRE OU UN AUTRE USTENSILE EST PLONGÉ DANS LE LIQUIDE. Pour réduire le risque de blessure :
 - a. Ne pas faire trop chauffer les liquides.
 - b. Mélangez le liquide avant et à la moitié du temps de réchauffage.
 - c. N'utilisez pas de récipient sans rebord et à paroi étroite.
 - d. Après avoir réchauffé le récipient, laissez-le refroidir dans le four à micro-ondes pendant une courte période avant de retirer le récipient.
 - e. Soyez extrêmement prudent lorsque vous insérez une cuillère ou un autre ustensile dans le récipient
10. Ne réchauffez pas de l'huile ou du gras pour y faire frire des aliments. Il est difficile de contrôler la température de l'huile dans un four à micro-ondes.
11. Faites des entailles dans les aliments aux peaux épaisses, tels que les pommes de terre, les courges entières, les pommes et les châtaignes.
12. Le contenu des biberons et des bocaux pour bébés devrait être mélangé ou agité, et la température doit être vérifiée avant de servir le contenu, dans le but d'éviter des brûlures.
13. Les ustensiles de cuisson peuvent devenir chauds en raison du transfert de chaleur provenant de la nourriture réchauffée. Des poignées peuvent s'avérer nécessaires pour manipuler les ustensiles.
14. Ne recouvrez et ne bloquez pas les ouvertures de l'appareil.
15. Ne rangez et n'utilisez pas cet appareil à l'extérieur. N'utilisez pas ce produit à proximité d'eau, par exemple, près d'un évier, dans un sous-sol humide, près d'une piscine ou dans un endroit similaire.
16. Ne faites pas fonctionner cet appareil si le cordon ou la fiche sont endommagés, s'il ne fonctionne pas correctement, s'il a été endommagé ou s'il est tombé par terre.
17. N'immergez pas le cordon ou la fiche dans l'eau. Gardez le cordon d'alimentation à l'écart des surfaces chaudes. Ne laissez pas le cordon électrique pendre du bord d'une table ou d'un plan de travail.
Ne laissez pas le cordon électrique pendre du bord d'une table ou d'un plan de travail.
18. Ne vous servez que d'un modèle de thermomètre ayant été spécifiquement conçu pour une utilisation dans un four à micro-onde.
19. N'utilisez aucun appareil de chauffage ou de cuisson sous cet appareil.
20. Assurez-vous que le plateau de verre et les billes de roulement sont bien positionnés pendant que vous utilisez le four.
21. Cet appareil ne doit être réparé que par un professionnel qualifié; communiquez avec les ateliers de réparation agréés les plus proches de chez vous pour une évaluation, une réparation ou un réglage.
22. Lorsque les surfaces de nettoyage de la porte et du four entrent en contact lors de la fermeture de la porte, servez-vous d'un savon ou d'un détergent doux et non abrasif appliqué avec une éponge ou un chiffon doux.

CONSERVEZ CES INSTRUCTIONS



INSTRUCTIONS RELATIVES À LA MISE À LA TERRE

DANGER : RISQUE DE CHOC ÉLECTRIQUE

Il est préférable d'éviter de toucher des composants internes, car cela pourrait entraîner des blessures sérieuses, voire la mort. **NE PAS démonter cet appareil.**

AVERTISSEMENT : RISQUE DE CHOC ÉLECTRIQUE

Une mise à la terre inadéquate pourrait causer un choc électrique. **Ne pas brancher dans une prise tant que l'appareil n'a pas été correctement mis à la terre.**

Fiche à trois broches
(pour mise à la terre)



Cet appareil doit être mis à la terre. Dans l'éventualité où un court-circuit électrique se produit, la mise à la terre réduit les risques de choc électrique en assurant la présence d'un câble d'échappement pour le courant électrique. Un cordon d'alimentation équipé d'un câble et d'une prise de mise à la terre est fourni avec cet appareil. La prise doit être insérée dans une prise murale qui est elle-même correctement installée et mise à la terre.

Consultez un électricien ou un spécialiste des réparations qualifié si les instructions de mise à la terre ne vous sont pas parfaitement compréhensibles ou si vous avez des doutes pour savoir si l'appareil est correctement mis à la terre ou non. S'il s'avère nécessaire d'utiliser un cordon d'extension, n'utilisez qu'un cordon d'extension à 3 câbles disposant d'une prise à trois fiches pour la mise à la terre, et un réceptacle à trois fentes qui pourra recevoir la prise de l'appareil. La classification électrique du cordon d'extension devra être égale ou supérieure à celle de l'appareil.

Un cordon d'alimentation court est fourni afin de réduire les risques de trébucher sur un cordon plus long, ou de s'y emmêler.

Des cordons amovibles ou d'extension plus longs sont disponibles et peuvent être utilisés avec les précautions qui s'imposent.

Dans le cas où un cordon amovible ou d'extension est utilisé :

- 1) La classification électrique du cordon amovible ou d'extension doit être au moins égale à celle de l'appareil;
- 2) Il doit s'agir d'une cordon d'extension à trois câbles avec mise à la terre; et
- 3) Le cordon doit être disposé de manière à ne pas pendre de la table ou du plan de travail, car il pourrait être tiré par des enfants ou faire trébucher certaines personnes accidentellement.

INTERFÉRENCE RADIO

Le fonctionnement d'un four à micro-ondes peut créer des interférences avec votre radio, votre téléviseur ou tout autre équipement similaire.

Il est possible de réduire ou d'éliminer ces interférences par les mesures suivantes :

- 1) Nettoyer la porte et la surface assurant l'étanchéité du four
- 2) Repositionner l'antenne de réception de la radio ou du téléviseur
- 3) Réorienter le four à micro-ondes en fonction du récepteur
- 4) Déplacer le four à micro-ondes à l'écart du récepteur
- 5) Brancher le four à micro-ondes dans une prise différente afin que le four à micro-ondes et le récepteur se trouvent sur des circuits électriques différents.

PRÉCAUTIONS NÉCESSAIRES POUR ÉVITER UNE EXPOSITION POTENTIELLE À DE L'ÉNERGIE MICRO-ONDE

- 1) N'essayez pas de faire fonctionner ce four avec la porte ouverte. Cela pourrait entraîner une exposition nocive à un rayonnement micro-onde. Il est essentiel de ne pas endommager ou modifier les verrous de sécurité.
- 2) Ne placez aucun objet entre l'avant du four à micro-ondes et l'intérieur. Évitez de laisser de la saleté ou des résidus de nettoyage s'accumuler sur les surfaces assurant l'étanchéité.
- 3) **Ne faites pas fonctionner le four à micro-ondes s'il est endommagé.** Il est essentiel que la porte puisse se refermer correctement et qu'il n'y ait aucun dommage sur :
 - (A) la porte (courbure)
 - (B) les charnières et les loquets (bris ou jeu)
 - (C) les joints d'étanchéité de la porte et les surfaces assurant l'étanchéité.
- 4) Le four micro-ondes ne doit être réparé ou réglé que par un professionnel qualifié.

MATÉRIAUX AUTORISÉS

AVERTISSEMENT : RISQUE DE BLESSURES

Les récipients solidement fermés pourraient exploser. Les récipients fermés doivent être ouverts et les sachets en plastique doivent être perforés avant la cuisson.

Cette section énumère les ustensiles qui peuvent être utilisés dans ce four à micro-ondes, ceux qui peuvent être utilisés de façon limitée pendant de courtes périodes, et ceux qui ne doivent pas être utilisés dans ce four à micro-ondes.

RECOMMANDÉS

Plat à brunir pour four à micro-ondes — Utilisez-le pour faire brunir l'extérieur de petits aliments comme des steaks, des côtelettes ou des crêpes. Suivez les instructions fournies avec votre plat à brunir.

Film plastique allant au micro-ondes — Utilisez-le pour retenir la vapeur. Laissez une petite ouverture pour que la vapeur puisse s'échapper et ne la placez pas directement sur les aliments.

Essuie-tout et serviettes — Utilisez-les pour réchauffer et couvrir les aliments pendant une courte période; ils absorbent l'excès d'humidité et préviennent les éclaboussures. N'utilisez pas d'essuie-tout en papier recyclé, qui peuvent contenir du métal et pourraient s'enflammer.

Bols et assiettes en verre et en vitrocéramique — Utilisez-les pour réchauffer ou cuire les aliments.

Assiettes et verres en papier — Utilisez-les pour réchauffer les aliments pendant une courte période à de basses températures. N'utilisez pas de papier recyclé, qui peut contenir du métal et pourrait s'enflammer.

Papier ciré — Utilisez-le pour recouvrir les aliments afin d'éviter les éclaboussures.

Thermomètres — N'utilisez que ceux étiquetés « Va au four à micro-ondes » et suivez toutes les instructions. Vérifiez les aliments à plusieurs endroits. Les thermomètres conventionnels peuvent être utilisés sur les aliments cuits au four à micro-ondes une fois que les aliments ont été retirés du four.

UTILISATION LIMITÉE

Papier d'aluminium — N'utilisez que de fines bandes de papier d'aluminium pour empêcher que certaines régions exposées ne cuisent trop. Comme l'utilisation d'une quantité trop importante de papier d'aluminium peut endommager votre four à micro-ondes, soyez prudent. Il est nécessaire de laisser un espace d'un pouce (2,54 cm) entre le papier d'aluminium et la paroi du four.

Céramique, porcelaine et grès — Ne les utilisez que s'ils sont étiquetés « Va au micro-ondes ». S'ils ne portent pas cette mention, testez-les pour vous assurer qu'ils peuvent être utilisés en toute sécurité.

Plastique — Ne l'utilisez que s'il est étiqueté « Va au micro-ondes ». D'autres plastiques pourraient fondre.

NON RECOMMANDÉS

Bocaux et bouteilles en verre — Le verre courant est trop mince pour être utilisé dans un four micro-ondes. Il peut éclater et causer des dommages et des blessures.

Sacs de papier — Ces derniers constituent un risque d'incendie, à l'exception des sacs de maïs soufflé qui sont conçus à cet effet.

Assiettes et verres en mousse de polystyrène — Ces derniers peuvent fondre et laisser des résidus nocifs sur la nourriture.

Récipients en plastique et pots de nourriture — Les récipients tels que les pots de margarine peuvent fondre dans le micro-ondes.

Ustensiles en métal — Ils peuvent endommager votre micro-ondes. Enlevez tout le métal avant la cuisson.

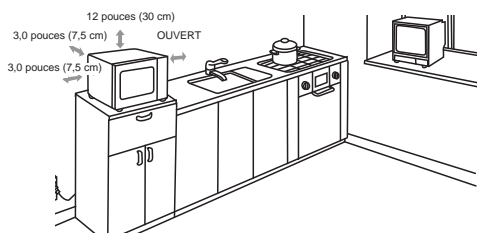
Remarque:

Pour vérifier si un plat va au four à micro-ondes, placez le plat vide dans le four à micro-ondes et faites chauffer à puissance élevée pendant 30 secondes. Un plat qui devient très chaud ne doit pas être utilisé.



Manuel d'installation

1. Assurez-vous que tout le matériel d'emballage est retiré de la face intérieure de la porte ou de la surface intérieure du four. **Ne retirez pas la mince feuille de mica brun apposée sur la cavité du four à micro-ondes pour protéger le magnétron.**
2. Vérifiez que le four n'est pas endommagé, par exemple que la porte n'est pas irrégulière ou tordue, que les joints de porte ou les surfaces assurant l'étanchéité ne sont pas endommagés, que les charnières et loquets ne sont pas brisés ou ne jouent pas, et qu'il n'y a pas d'indentations dans la cavité ou sur la porte. Si vous remarquez des dommages, ne faites pas fonctionner le four à micro-ondes et communiquez avec un professionnel de réparation qualifié.
3. Ce four à micro-ondes doit être posé sur une surface plane et stable qui peut supporter son poids en plus du poids des aliments les plus lourds qui risquent d'être placés dans le four à micro-ondes.
4. Ne placez pas le four à proximité d'une source de chaleur ou d'humidité, ou près de matériaux combustibles.
5. Pour assurer un fonctionnement correct, un débit d'aération suffisant doit être présent. Prévoyez un espace de 30 cm au-dessus du four, de 7,5 cm à l'arrière et des deux côtés (voir le schéma). Ne pas recouvrir ou bloquer les événements se trouvant sur l'appareil. Ne pas retirer les pieds sur lesquels le four repose.
6. Ne pas faire fonctionner si le plateau de verre, le support de roulement et l'axe ne se trouvent pas dans la position appropriée.
7. Assurez-vous que le cordon d'alimentation est exempt de tout dommage et qu'il ne passe pas sous le four ni au-dessus d'une surface très chaude ou tranchante.
8. La prise femelle doit être facilement accessible pour permettre de débrancher l'appareil rapidement en cas d'urgence. La prise femelle doit être de la même tension et fréquence que ce qui est indiqué sur l'étiquette de classification de l'appareil.
9. Placez le four à micro-ondes loin de tout appareil radio ou téléviseur afin d'éviter les interférences.

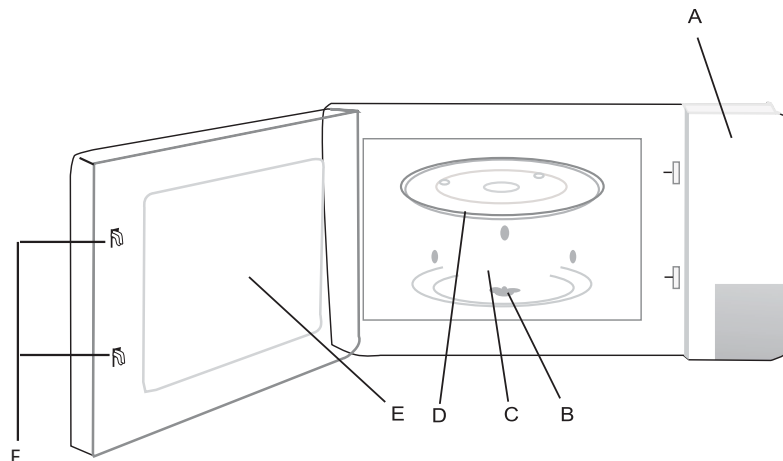




Mode d'emploi

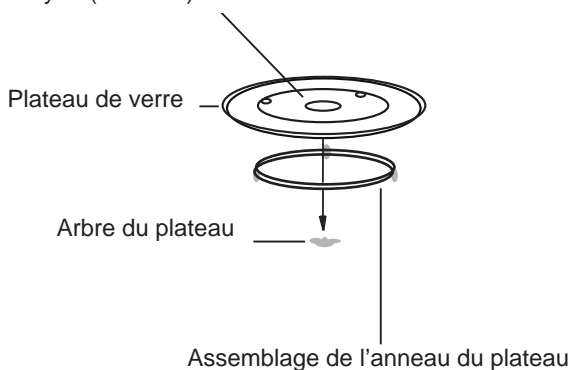
NOMS DES PIÈCES

- A. Panneau de commande
- B. Arbre du plateau
- C. Anneau de roulement
- D. Plateau en verre
- E. Fenêtre du four
- F. Système de verrouillage de sécurité de la porte



INSTALLATION DE LA TABLE TOURNANTE

Moyen (dessous)

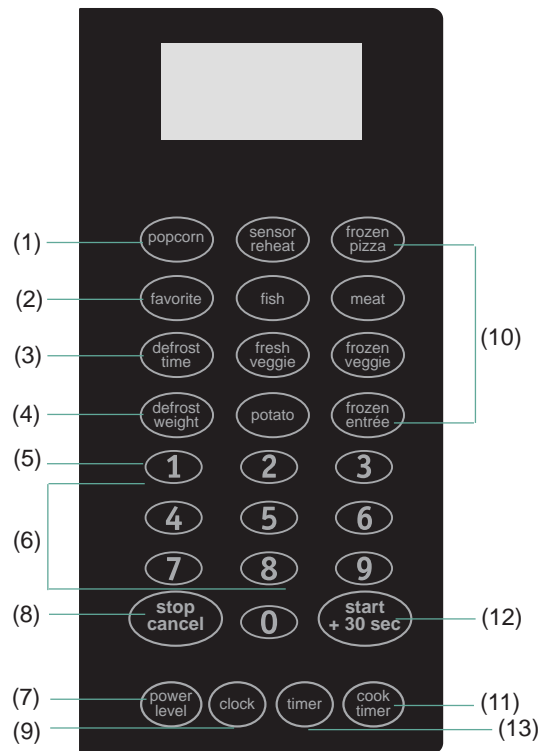


Modèle :	DMW14SA1WDB / DMW14SA1BDB
Tension classifiée :	120 V - 60 hz
Puissance d'alimentation classifiée :	1450 W
Puissance de sortie classifiée :	1000 W
Capacité du four :	1,3 pied cube
Diamètre du plateau tournant :	12,4 po
Dimensions externes (H x L x P) :	12,4 x 20,4 x 17,0 pouces, 314 x 519 x 432 mm
Poids net :	Environ 36,4 lb (16,5 kg)



Mode d'emploi

PANNEAU DE COMMANDE



- 1) **Maïs soufflé** : Touche de cuisson rapide
- 2) **Favori** : Cuisson programmée en fonction de vos réglages favoris
- 3) **Temps de décongélation** : Décongélation programmée en fonction d'une durée déterminée
- 4) **Poids de décongélation** : Décongélation programmée en fonction du poids des aliments à décongeler
- 5) **Touches rapides** : Définition automatique du temps de cuisson en fonction du numéro présent sur la touche
- 6) **Touches numériques** : Touches pour régler la durée ou la quantité
- 7) **Niveau de puissance** : Utilisé pour modifier le niveau de puissance.
- 8) **Démarrage/Arrêt** : Touche pour démarrer ou arrêter la cuisson..
- 9) **Horloge** : Utilisée pour régler l'heure actuelle
- 10) **Menu auto** : Réglages instantanés pour la cuisson des aliments les plus courants.
- 11) **Minuterie de cuisson** : Utilisé pour définir un temps de cuisson
- 12) **Démarrage/+30 Sec** : Débute le fonctionnement du four à micro-ondes ou ajoute une durée de 30 secondes supplémentaires au temps de cuisson
- 13) **Minuterie** : Fonction de minuterie indépendante, même lorsqu'un programme de cuisson est en cours.



Mode d'emploi

SIGNAUX PENDANT LE RÉGLAGE DU FOUR

UN SIGNAL : Le micro-ondes accepte l'entrée.

DEUX SIGNAUX : Le micro-ondes n'accepte pas l'entrée. Vérifiez et essayez à nouveau.

RÉGLAGE DE L'HORLOGE

1. Appuyez sur la touche HORLOGE.
2. Servez-vous du bloc de touches numériques pour saisir l'heure.
3. Appuyez à nouveau sur le bloc de touches numériques de l'HORLOGE.

REMARQUE :

- L'horloge est réglée selon un cycle de 12 heures. Lorsque le four est branché pour la première fois ou lorsque le courant est rétabli après une panne de courant, SAISIR L'HEURE apparaît sur l'écran. Si vous préférez que l'horloge ne soit pas affichée, appuyez sur la touche RÉINITIALISATION.
- Au moment de régler l'horloge, si l'on appuie sur la touche Arrêt/Annuler ou si aucune opération n'est effectuée pendant plus d'1 minute, le four retourne automatiquement en mode de veille.
- Vous pouvez vérifier l'heure pendant la cuisson en appuyant sur le bloc de touches numériques de l'HORLOGE.

RÉGLAGE DE LA MINUTERIE DU FOUR

1. Appuyez sur MINUTERIE.
2. Saisissez la durée souhaitée en appuyant sur les touches numériques (la durée maximale est de 99 minutes et 99 secondes).
3. Appuyez sur la touche DÉMARRAGE/+30SECS.

REMARQUE :

- Le compte à rebours est affiché pendant 5 secondes avant que l'heure ou la durée de cuisson soit de nouveau affichées.
- Appuyez sur MINUTERIE, puis sur RÉINITIALISATION pour annuler la MINUTERIE au cours de l'opération.
- Appuyez sur MINUTERIE, puis sur RÉINITIALISATION pour annuler la MINUTERIE au cours de l'opération.



Mode d'emploi

RÉGLAGE D'UN PROGRAMME DE CUISSON

A. Cuisson en une seule étape

1. Servez-vous du bloc de touches numériques pour régler la durée de cuisson. Vous pouvez régler la durée de cuisson entre une seconde et 99 minutes et 99 secondes.
2. Si vous voulez programmer un niveau de puissance autre que 100 %, appuyez sur la touche NIVEAU DE PUISSANCE, puis utilisez les touches numériques pour saisir le niveau de puissance. Vous pouvez régler le niveau de puissance entre 1 et 9.
3. Appuyez sur la touche DÉMARRAGE/+30SEC pour démarrer la cuisson.

B. Cuisson en deux étapes :

1. PROGRAMMATION DE L'ÉTAPE 1 :

Suivez les étapes 1 et 2 figurant dans « Cuisson en une seule étape ». N'APPUYEZ PAS SUR DÉMARRAGE

2. PROGRAMMATION DE L'ÉTAPE 2 :

Appuyez sur CUISSON, puis indiquez le temps de cuisson approprié et le (plus bas) niveau de puissance.

3. Appuyez sur la touche DÉMARRAGE/+30SEC

REMARQUE :

- Pendant la cuisson, vous pouvez vérifier la puissance en appuyant sur la touche NIVEAU DE PUISSANCE.

Puissance de cuisson	100%	90%	80%	70%	60%	50%	40%	30%	20%	10%
Touches numériques	1,0	9	8	7	6	5	4	3	2	1

BOUTONS RAPIDES

Il est possible d'obtenir une cuisson à une puissance de 100 % par incréments de 1, 2 ou 3 minutes de manière instantanée en appuyant sur les touches numériques 1, 2 ou 3. Appuyez sur Démarrage/+30SEC pour augmenter le temps de cuisson de 30 secondes. La durée de cuisson maximale est de 99 minutes et 99 secondes.

Pour commencer instantanément une cuisson à une puissance de 100 % pendant 30 secondes, il suffit d'appuyer sur la touche Démarrage/+30SEC. Chaque fois que l'on appuie sur cette touche, le temps de cuisson est prolongé de 30 secondes, avec une durée maximale de cuisson de 99 minutes et 99 secondes.

DÉCONGÉLATION SELON LE POIDS

1. Appuyez sur la touche DÉCONGÉLATION SELON LE POIDS.
2. Saisissez le poids (le poids maximal que vous pouvez entrer est 6,3 lb.)
3. Appuyez sur la touche DÉMARRAGE/+30SEC.

REMARQUE :

- Le poids doit être exprimé en livres et en onces. Les poids inférieurs à 10 onces doivent être précédés d'un zéro. Si le poids figurant sur l'étiquette est en livres uniquement, convertissez une fraction en onces à l'aide du tableau ci-dessous.

S'il vous faut retourner les aliments en cours de cuisson, réappuyez ensuite sur la touche DÉMARRAGE/+30SEC pour continuer la cuisson.



Mode d'emploi

Conversion des fractions de livres en onces.	
fractions de livres	Onces
Moins de 3	0
0,03 à 0,09	1
0,10 à 0,15	2
0,16 à 0,21	3
0,22 à 0,27	4
0,28 à 0,34	5
0,35 à 0,40	6
0,41 à 0,46	7
0,47 à 0,53	8
0,54 à 0,59	9
0,60 à 0,65	10
0,66 à 0,71	11
0,72 à 0,78	12
0,79 à 0,84	13
0,85 à 0,90	14
0,91 à 0,97	15
Au-dessus de 0,97	Arrondissez

TEMPS DE DÉCONGÉLATION

1. Appuyer sur la touche TEMPS DE DÉCONGÉLATION.
2. Indiquer la durée de la décongélation voulue en appuyant sur les touches numériques appropriées (pour un maximum de 99 minutes et 99 secondes).
3. Appuyez sur DÉMARRAGE/ARRÊT.

MAÏS SOUFLÉ

1. Appuyez sur la touche MAÏS SOUFLÉ plusieurs fois jusqu'à ce que le poids désiré soit affiché.

N'appuyez qu'une seule fois pour un sac de maïs soufflé courant de 3 onces; l'affichage indique 3,0.

Appuyez à deux reprises pour un sac de maïs soufflé de format individuel de 1,75 onces; l'affichage indique 1,75.

Appuyez à trois reprises pour un sac de maïs soufflé de format familial de 3,5 onces; l'affichage indique 3,5.

Appuyez sur DÉMARRAGE/+30SEC



Mode d'emploi

MENU AUTO

Pour cuire les aliments les plus courants (pizza surgelée, poisson, viande, légumes frais ou congelés, pommes de terre, entrées surgelées), il suffit de sélectionner la touche appropriée parmi les options du menu automatique, de mettre l'aliment dans le four à micro-ondes, puis d'appuyer sur DÉMARRAGE/+30SEC. Il n'est pas nécessaire de régler la durée ou la puissance.

Le capteur sonnera par deux fois lorsque de la vapeur sera détectée, et le temps restant sera affiché. L'alarme se fera entendre 5 fois quand la cuisson sera terminée.

Pour des résultats optimaux :

- 1) La température de la pièce ne doit pas être supérieure à 35 degrés Fahrenheit.
- 2) L'aliment doit peser plus que 110 g (4 onces).
- 3) La cavité, le plateau de verre et les récipients contenant les aliments doivent être secs lorsqu'ils sont placés dans le four.
- 4) La porte doit demeurer fermée jusqu'à ce que le capteur ait sonné à deux reprises. N'ouvrez pas la porte du four à micro-ondes et n'appuyez pas sur ARRÊT/ANNULER avant que le capteur n'ait sonné, sinon le capteur fera défaut. Après que le capteur a sonné deux fois et que l'affichage a commencé le décompte, vous pouvez ouvrir la porte et remuer les aliments, puis reprendre la cuisson.

Sélection	Poids	Temp. Initiale	Instructions Supplémentaires
SC-1 Réchaud par capteur	8~12 onces	5 degrés	Réchauffer la nourriture sur un plat de service. Lorsque le temps du capteur est terminé, le temps de cuisson s'écoule. Maintenant, vous pouvez mélanger l'aliment et poursuivre la cuisson.
SC-2 Pizza surgelée	6~12 onces (170~340 g)	moins 18 degrés	Si le poids excède 12 onces, veuillez ajouter du temps de cuisson supplémentaire manuellement.
SC-3 Poisson	4~16 onces (110~450 g)	5 degrés	Disposer sur une seule couche. Couvrir avec un couvercle ou une pellicule plastique aérée. Couvrir avec la pellicule avant la cuisson et laisser un espace près de la bordure pour laisser s'échapper la vapeur. Une fois que le temps de cuisson commence à s'écouler, vous pouvez appuyer sur "ARRÊT" pour faire une pause et ouvrir la porte, afin de retourner le poisson et poursuivre la cuisson.
SC-4 Viande	8~24 onces (225~680 g)	5 degrés	Défaire en morceaux dans un bol ou une passoire. Couvrir avec un couvercle ou une pellicule plastique aérée. Les jus de cuisson de vrait être transparents à la fin. Vider. Une fois que le temps de cuisson commence à s'écouler, vous pouvez appuyer sur "ARRÊT" pour faire une pause et ouvrir la porte, afin de retourner la viande et poursuivre la cuisson.
SC-5 Légumes frais	4~16 onces (110~450 g)	Température de la pièce	Tous les morceaux devraient environ de la même taille. Nettoyer avec soin, ajouter 15 ml d'eau par 125 g de légumes et couvrir avec un couvercle ou une pellicule de plastique. Une fois que le temps de cuisson commence à s'écouler, vous pouvez appuyer sur "ARRÊT" pour faire une pause et ouvrir la porte, afin de retourner les légumes et poursuivre la cuisson.
SC-6 Légumes surgelés	6~16 onces (170~450 g)	moins 18 degrés	Nettoyer avec soin, ajouter 15 ml d'eau par 125 g de légumes et couvrir avec un couvercle ou une pellicule de plastique aérée. Ne pas saler ou mettre du beurre sur les légumes avant la fin de la cuisson.
SC-7 Pomme de terre	1~4 unités (6~8 onces chacune)	Température de la pièce	Perforer chaque pomme de terre à 6 reprises avec une fourchette sur toute la surface. Placer les pommes de terre sur un essuie-tout, sur le bord de la plaque tournante. Ne pas couvrir. Si du temps supplémentaire est requis, régler ce temps manuellement. Veuillez laisser reposer pendant 5 minutes dans le four après la fin de la cuisson pour éviter les brûlures.
SC-8 Entrée surgelée	8~32 onces (225~900 g)	moins 18 degrés	Être prudent en retirant la pellicule après la fin de la cuisson. Commencer par le retirer du côté opposé pour éviter les brûlures de vapeur. Si du temps de cuisson supplémentaire est nécessaire, le régler manuellement. Couvrir avec une pellicule avant la cuisson et laisser un espace sur le bord du contenant afin de laisser la vapeur s'échapper. Lorsque l'alarme résonne deux fois, le temps de cuisson commencer à s'écouler. Appuyer sur "ARRÊT" pour faire une pause et ouvrir le four pour remuer.



Mode d'emploi

RÉCHAUD AVEC CAPTEUR

1) Appuyez sur la touche RÉCHAUD AVEC CAPTEUR puis mettez l'aliment dans le four. 'SC-1' s'affiche.

2) Appuyez sur DÉMARRAGE/+30SEC pour lancer la fonction de réchaud avec capteur. Il n'est pas nécessaire de régler la durée.

3) Le capteur sonne deux fois quand de la vapeur est détectée. Le temps de cuisson restant s'affiche, et l'unité sonne 5 fois quand la cuisson est terminée.

Le four ne peut faire office de réchaud avec capteur quand la température dans la cavité du four est déjà élevée.

Les aliments qui sont réchauffés doivent disposer d'un couvercle avec évent.

N'utilisez que des plateaux compatibles avec le micro-ondes.

Pendant le réchauffage avec capteur, veuillez ne pas ouvrir la porte et ne pas appuyer sur la touche ARRÊT/ANNULER.

Aliments à éviter avec le mode de réchaud avec capteur :

- Le pain et autres aliments secs comme les biscuits et les pâtisseries.
- Les aliments crus ou non cuits
- Les boissons et les aliments surgelés

FAVORI

Ce four à micro-ondes peut mémoriser trois réglages préférentiels. Pour régler le niveau de puissance et de temps préférentiel :

1) Appuyez sur la touche FAVORI une fois pour choisir le réglage favori numéro un, deux fois pour choisir le réglage favori numéro deux et trois fois pour choisir le réglage favori numéro trois.

3) Appuyez sur TEMPS DE CUISSON puis réglez le temps de cuisson avec le clavier numérique.

3) Appuyez sur PUISSANCE puis sur le nombre correspondant à la puissance désirée

4) Appuyez sur FAVORI pour enregistrer le réglage.

5) Pour lancer le programme favori, appuyez sur FAVORI le nombre de fois qui correspond au numéro de favori choisi (une fois pour choisir le réglage favori numéro un, deux fois pour choisir le réglage favori numéro deux, etc.), puis appuyez sur DÉMARRAGE/+30SEC.

Remarque : Les fonctions du menu auto ne peuvent être enregistrées comme réglages préférentiels.

DEMANDE D'AFFICHAGE SPÉCIFIQUE

Pendant la cuisson, vous pouvez appuyer sur HORLOGE pour afficher l'heure qu'il est pendant trois secondes avant que l'affichage ne retourne au temps de cuisson.

Pendant que le four à micro-ondes fonctionne, vous pouvez appuyer sur PUISSANCE pour afficher la puissance utilisée à ce moment-là. Après trois secondes, l'affichage retourne au temps de cuisson.

RÉGLAGE SÉCURITÉ POUR LES ENFANTS

Le verrou de sécurité permet d'empêcher que les enfants n'utilisent l'appareil sans supervision.

Pour le régler, appuyez et maintenez la touche ARRÊT/ANNULER pendant 3 secondes. Un 'bip' prolongé indiquera que le réglage a été accepté.

Pour annuler, appuyez et maintenez la touche ARRÊT/ANNULER pendant 3 secondes. Un 'bip' prolongé indiquera que le réglage a été accepté.



Mode d'emploi

FONCTION DE RAPPEL

Si la porte n'est pas ouverte après la fin de la période de cuisson, l'alarme retentira 5 fois pour rappeler à l'utilisateur que la cuisson est terminée.

AUTRE

- 1) En mode de veille, si l'heure est réglée, l'icône : clignote. Sinon, c'est 0:00 qui est affiché.
- 2) Lors du réglage d'une fonction, l'icône du réglage concerné est affichée
- 3) Lorsque le four à micro-ondes est en fonction ou en pause, il affiche le temps de cuisson restant.



Mode d'emploi

TECHNIQUES DE CUISSON

Votre four à micro-ondes rend la cuisine plus facile que la cuisine conventionnelle, à condition de tenir compte de ces considérations.

REMUER - Remuez les aliments comme les plats en sauce et les légumes pendant la cuisson pour répartir uniformément la chaleur. Les aliments situés à l'extérieur du plat absorbent plus d'énergie et chauffent plus rapidement; remuez donc de l'extérieur vers le centre. Le four à micro-ondes s'éteindra lorsque vous ouvrirez la porte pour remuer les aliments.

DISPOSITION - Disposez les aliments de forme inégale, comme des morceaux de poulet ou des côtelettes, de façon à ce que les parties plus épaisses soient situées vers l'extérieur du plateau rotatif, là où elles recevront le plus d'énergie des micro-ondes. Pour éviter la cuisson excessive, placez les sections délicates, comme les pointes d'asperges, vers le centre du plateau rotatif.

PROTECTION - Protégez les aliments avec de minces bandes de papier d'aluminium pour les empêcher de trop cuire. Les sections qui doivent être protégées comprennent les extrémités des ailes et des pattes des volailles, et les coins des plats de cuisson carrés. N'utilisez que de petites quantités de papier d'aluminium. De plus grandes quantités peuvent endommager votre micro-ondes.

RETOURNER - Retournez les aliments à la mi-cuisson afin d'exposer toutes les régions à l'énergie des micro-ondes. Ceci est particulièrement important lors de la cuisson de gros aliments, comme des rôtis.

REPOS - Les aliments cuits au four à micro-ondes accumulent de la chaleur interne et continuent de cuire pendant quelques minutes après la fin du chauffage. Laissez les aliments reposer pour terminer la cuisson, particulièrement les gâteaux et les légumes entiers. Les rôtis ont besoin de cette période de repos pour que le centre puisse finir de cuire sans que les parties extérieures cuisent trop. Tous les liquides, comme la soupe ou le chocolat chaud, doivent être agités ou remués à la fin de la cuisson. Laissez reposer les liquides un moment avant de les servir. Lorsque vous réchauffez des aliments pour bébés, mélangez-les bien lorsque vous les retirez du four et vérifiez la température avant de les servir.

AJOUT D'HUMIDITÉ - L'énergie des micro-ondes est attirée par les molécules d'eau. Les aliments dont la teneur en humidité n'est pas répartie de façon égale doivent être recouverts, ou doivent être laissés reposer quelque temps afin de permettre à la chaleur de se diffuser uniformément. Ajoutez une petite quantité d'eau aux aliments secs afin de les aider à cuire.



Soins et entretien

- 1) Éteignez le four et débranchez-le de la prise murale avant de le nettoyer.
- 2) Assurez-vous que l'intérieur du four demeure propre. Lorsque des résidus d'aliments ou des éclaboussures de liquide collent aux parois du four, nettoyez-les à l'aide d'un chiffon humide. Un détergent doux peut être utilisé si le four est très sale. Évitez les nettoyeurs en vaporisateur et autres détergents abrasifs, qui peuvent tacher, rayer ou ternir la surface de la porte.
- 3) Les surfaces extérieures doivent être nettoyées avec un chiffon humide. Pour prévenir les dommages sur les composants actifs situés à l'intérieur du four, il faut éviter que de l'eau ne s'écoule par les événements.
- 4) Nettoyez la vitre des deux côtés à l'aide d'un chiffon humide, et enlevez tout résidu ou éclaboussure.
- 5) Empêchez que le panneau de commande ne se retrouve mouillé. Essayez-le avec un chiffon doux humide. Lorsque vous nettoyez le panneau de commande, laissez la porte du four ouverte afin d'éviter de l'allumer par inadvertance.
- 6) Si de la vapeur s'accumule dans ou sur la face extérieure de la porte du four, essuyez-la avec un chiffon doux. Cela peut se produire quand le four à micro-ondes est utilisé dans des conditions très humides; c'est un phénomène normal.
- 7) Il peut être occasionnellement nécessaire de retirer le plateau de verre pour le nettoyer. Nettoyez le plateau dans de l'eau savonneuse tiède ou dans un lave-vaisselle.
- 8) L'anneau de roulement et la face inférieure du four doivent être nettoyés régulièrement pour éviter les bruits excessifs. Il suffit d'essuyer la surface inférieure du four avec un détergent doux. L'anneau de roulement peut être nettoyé dans de l'eau tiède savonneuse ou dans le lave-vaisselle. Lorsque vous retirez l'anneau de roulement de la face inférieure du four pour le nettoyer, assurez-vous de l'y remettre ensuite dans une position correcte.
- 9) Débarrassez-vous des odeurs de votre four en mélangeant une tasse d'eau avec le jus et le zeste d'un citron dans un saladier creux, puis passer le tout au four à micro-ondes pendant 5 minutes. Nettoyez à fond puis séchez avec un chiffon doux.
- 10) Lorsqu'il s'avère nécessaire de remplacer l'éclairage du four, veuillez communiquer avec un distributeur à cet effet.
- 11) Lorsque vous nettoyez la surface de la porte ou du four, servez-vous d'un savon ou d'un détergent doux et non abrasif appliqué avec une éponge ou un chiffon doux.
12. Veuillez ne pas jeter cet appareil dans une poubelle domestique; il doit être mis au rebut dans le centre municipal de traitement des déchets approprié.



Dépannage

Parfois, il peut arriver qu'un problème mineur survienne et qu'il ne soit pas nécessaire de faire appel à un réparateur. Servez-vous de ce guide de dépannage pour déterminer la cause possible du problème. Si l'appareil continue de mal fonctionner, appelez un centre de réparation agréé ou encore le **numéro gratuit 1-800-263-2629 de Danby pour obtenir de l'aide.**

PROBLÈME	CAUSE POSSIBLE	SOLUTION
Le four ne veut pas démarrer	<ul style="list-style-type: none">a. Le cordon électrique du four n'est pas branché.b. La porte est ouverte.c. Vous avez choisi une opération incorrecte.	<ul style="list-style-type: none">a. Brancher dans la prise murale.b. Fermer la porte et essayer à nouveau.c. Consulter les instructions.
Production d'arcs électrique ou d'étincelles	<ul style="list-style-type: none">a. Des matériaux à éviter dans un four à micro-ondes ont été utilisés.b. Le four est mis en fonction à vide.c. Les aliments renversés demeurent dans la cavité.	<ul style="list-style-type: none">a. Utiliser de la vaisselle allant au micro-ondes seulement.b. Ne pas faire fonctionner quand le four est vide.c. Nettoyer la cavité avec un chiffon humide.
Aliments avec une cuisson inégale	<ul style="list-style-type: none">a. Des matériaux à éviter dans un four à micro-ondes ont été utilisés.b. Les aliments ne sont pas décongelés complètement.c. La durée de cuisson et la puissance ne sont pas adéquats.d. L'aliment n'est pas retourné ou remué.	<ul style="list-style-type: none">a. Utiliser de la vaisselle allant au four à micro-ondes seulement.b. Les aliments sont complètement décongelés.c. Utiliser une durée de cuisson et une puissance appropriées.d. Retourner ou remuer les aliments.
Aliments trop cuits	La durée de cuisson et la puissance ne sont pas adéquats.	Utiliser un temps de cuisson et une puissance appropriés.
Aliments mal cuits	<ul style="list-style-type: none">a. Les matériaux à éviter dans un four à micro-ondes ont été utilisés.b. Les aliments ne sont pas décongelés complètement.c. Les ouvertures d'aération du four sont bloquées.d. Le temps de cuisson et la puissance ne sont pas adéquats.	<ul style="list-style-type: none">a. Utiliser de la vaisselle allant au four à micro-ondes seulement.b. Les aliments sont complètement décongelés.c. Assurez-vous que les ouvertures d'aération du four ne sont pas bloquées.d. Utiliser un temps de cuisson et une puissance appropriés.
Mauvaise décongélation	<ul style="list-style-type: none">a. Des matériaux à éviter dans un four à micro-ondes ont été utilisés.b. La durée de cuisson et la puissance ne sont pas adéquates.c. L'aliment n'a pas été retourné ou remué.	<ul style="list-style-type: none">a. N'utiliser que de la vaisselle compatible avec les fours à micro-ondes.b. Utiliser une durée de cuisson et une puissance appropriées.c. Remuer ou retourner les aliments pendant la décongélation.



GARANTIE LIMITÉE SUR APPAREIL ÉLECTROMÉNAGER

Cet appareil de qualité est garanti exempt de tout vice de matière première et de fabrication, s'il est utilisé dans les conditions normales recommandées par le fabricant.

Cette garantie n'est offerte qu'à l'acheteur initial de l'appareil vendu par Danby Products Limited (Canada) ou Danby Products Inc. (E.-U. d'A) (ci-après "Danby") ou par l'un des ses distributeurs agréés et elle ne peut être transférée.

CONDITIONS

Les pièces en plastique sont garanties pour trente (30) jours seulement à partir de la date de l'achat, sans aucune prolongation prévue.

Première 12 mois Pendant les douze (12) mois, toutes pièces fonctionnelles de ce produit s'avèrent défectueuses, seront réparées ou remplacées, selon le choix du garant, sans frais à l'acheteur INITIAL.

Pour bénéficiaire du Service Le client sera responsable pour le transport et tous les frais d'expédition de tout appareil exigeant le service au dépôt de service autorisé le plus proche. S'adresser au détaillant qui a vendu l'appareil, ou à la station technique agréée de service la plus proche, où les réparations doivent être effectuées par un technicien qualifié. Si les réparations sont effectuées par quiconque autre que la station de service agréée ou à des fins commerciales, toutes les obligations de Danby en vertu de cette garantie seront annulées.

Cette garantie indique en aucun temps la responsabilité de Danby de l'avarie ou dommage de la vin ou autre contenu, soit par les vices de l'appareil, ou soit par l'utilisation convenable ou inexacte.

EXCLUSIONS

En vertu de la présente, il n'existe aucune autre garantie, condition ou représentation, qu'elle soit exprimée ou tacite, de façon manifeste ou intentionnelle, par Danby ou ses distributeurs agréés. De même, sont exclues toutes les autres garanties, conditions ou représentations, y compris les garanties, conditions ou représentations en vertu de toute loi régissant la vente de produits ou de toute autre législation ou règlement semblables.

En vertu de la présente, Danby ne peut être tenue responsable en cas de blessures corporelles ou des dégâts matériels, y compris à l'appareil, quelle qu'en soit les causes. Danby ne peut pas être tenue responsable des dommages indirects dus au fonctionnement défectueux de l'appareil. En achetant l'appareil, l'acheteur accepte de mettre à couvert et de dégager Danby de toute responsabilité en cas de réclamation pour toute blessure corporelle ou tout dégât matériel causé par cet appareil.

CONDITIONS GÉNÉRALES

La garantie ou assurance ci-dessus ne s'applique pas si les dégâts ou réparations sont dus aux cas suivants:

- 1) Panne de courant.
- 2) Dommages subis pendant le transport ou le déplacement de l'appareil.
- 3) Alimentation électrique incorrecte (tension faible, câblage défectueux, fusibles incorrects).
- 4) Accident, modification, emploi abusif ou incorrect de l'appareil tel qu'une circulation d'air inadéquate dans la pièce ou des conditions de fonctionnement anormales (température extrêmement élevée ou basse).
- 5) Utilisation dans un but commercial ou industriel (à savoir, si l'appareil n'est pas installé dans un domicile résidentiel).
- 6) Incendie, dommages causés par l'eau, vol, guerre, émeute, hostilités, cas de force majeure (ouragan, inondation, etc.).
- 7) Visites d'un technicien pour expliquer le fonctionnement de l'appareil au propriétaire.
- 8) Installation inappropriée (par exemple, encastrement d'un appareil autoportant, ou utilisation extérieure d'un appareil non conçu à cet effet).

Une preuve d'achat doit être présentée pour toute demande de réparation sous garantie. Prière de garder le reçu. Pour faire honorer la garantie, présenter ce document à la station technique agréée ou s'adresser à:

Service sous-garantie
En Atelier

Danby Products Limited
PO Box 1778, Guelph, Ontario, Canada N1H 6Z9
Telephone: (519) 837-0920 FAX: (519) 837-0449

1-800-263-2629

Danby Products Inc.
PO Box 669, Findlay, Ohio, U.S.A. 45840
Telephone: (419) 425-8627 FAX: (419) 425-8629

Tabla de Contenidos

INFORMATCIÓN IMPORTANTE SOBRE SEGURIDAD.....	35
INSTRUCCIONES DE CONEXIÓN A TIERRA.....	36
PRECAUCIONES PARA EVITAR POSIBLES EXPOSICIONES A ENERGÍA DE MICROONDAS EXCESIVA.....	37
MATERIALES PERMITIDOS.....	37-38
GUÍA DE INSTALACIÓN.....	38
ESPECIFICACIONES.....	39
NOMBRES DE LAS PIEZAS.....	39
PANEL DE CONTROL.....	40
INSTRUCCIONES DE FUNCIONAMIENTO.....	41
Configuración del reloj.....	41
Configuración del temporizador.....	41
Configuración de un programa de cocción.....	42
Descongelación por peso.....	42
Configuración del seguro para niños.....	45
Recordatorio automático.....	46
CONFIGURACIÓN PARA COCCIÓN RÁPIDA.....	43
MÉTODOS DE COCCIÓN.....	46
LIMPIEZA Y CUIDADO.....	47
RESOLUCIÓN DE PROBLEMAS.....	48
GARANTIA.....	49



Información Importante sobre seguridad

LEA Y SIGA TODAS LAS INSTRUCCIONES DE SEGURIDAD

ADVERTENCIA IMPORTANTE

Para reducir el riesgo de incendio, choque eléctrico, lesiones personales o exposición a energía de microondas excesiva, respete las siguientes instrucciones al usar su electrodoméstico:

1. Lea todas las instrucciones antes de utilizar el electrodoméstico.
2. Lea y siga las "PRECAUCIONES PARA EVITAR POSIBLES EXPOSICIONES A ENERGÍA DE MICROONDAS EXCESIVA" que se detallan en la página 37.
3. Este electrodoméstico debe estar conectado a tierra. Enchúfelo solamente en un tomacorriente debidamente conectado a tierra. Consulte "INSTRUCCIONES DE CONEXIÓN A TIERRA" en la página 36.
4. Instale o coloque este artefacto siguiendo específicamente las instrucciones de instalación provistas.
5. Ciertos productos, como huevos enteros o recipientes sellados (por ej. jarras de vidrio cerradas) pueden explotar, por lo que no deben calentarse en este horno.
6. Utilice este artefacto solo para el uso descrito en este manual. No utilice vapores ni productos químicos corrosivos. Este tipo de horno está específicamente diseñado para calentar, cocinar o asar comida. No fue diseñado para un uso industrial ni de laboratorio.
7. Al igual que con cualquier otro electrodoméstico, se debe controlar de cerca el uso que hagan de él los niños.
8. Para reducir el riesgo de incendio en la cavidad del horno:
 - a. No cocine de más los alimentos. Preste atención al aparato al introducir papel, plástico u otros materiales combustibles para facilitar la cocción.
 - b. Retire las sujeciones de alambre de bolsas plásticas o de papel antes de colocarlas en el horno.
 - c. Si lo colocado en el horno se incendiara, mantenga cerrada la puerta del horno, apáguelo y desconecte el cable de alimentación o la corriente desde el panel de fusibles o disyuntores.
 - d. No utilice el interior del horno para almacenar. No deje productos de papel, utensilios de cocina ni alimentos en el interior mientras no esté en uso.
9. Los líquidos como el agua, el té o el café pueden calentarse más allá del punto de ebullición sin que lo parezca debido a la tensión superficial de los líquidos. No siempre se observan burbujas ni ebullición al retirar el recipiente del horno microondas. ASÍ, LÍQUIDOS MUY CALIENTES PODRÍAN HERVIR DE REPENTE AL INTRODUCIR UNA CUCHARA U OTRO UTENSILIO. Para evitar lesiones personales:
 - a. No caliente excesivamente los líquidos.
 - b. Revuelva el líquido antes de calentarlo y a la mitad del proceso.
 - c. No utilice recipientes con laterales planos y cuellos angostos.
 - d. Luego de calentar, deje el recipiente en el horno microondas por un momento antes de retirarlo.
 - e. Sea extremadamente cuidadoso al introducir una cuchara u otro utensilio en el recipiente.
10. No caliente aceite ni grasa para realizar frituras. Es difícil controlar la temperatura del aceite en un horno microondas.
11. Perfore los alimentos de cáscara gruesa, como papas, calabazas enteras, manzanas o castañas.
12. El contenido de biberones y alimentos para bebés debe revolverse o agitarse, y se debe controlar la temperatura antes de servirlos para evitar quemaduras.
13. Los utensilios de cocina pueden calentarse al transferirse la temperatura de los alimentos calentados. Tal vez deban usarse manoplas para horno para manejarlos.
14. No cubra ni bloquee ninguna abertura del electrodoméstico.
15. No almacene ni utilice este artefacto al aire libre. No lo utilice cerca de agua, por ejemplo, cerca de la pila de la cocina, en un sótano con humedad, cerca de una piscina, o en ubicaciones similares.
16. No utilice el artefacto si el cable o el enchufe están dañados, si no funciona debidamente ni si se ha dañado o caído.
17. No sumerja en agua el cable ni el enchufe. Mantenga el cable lejos de superficies calientes. El cable no debe colgar por debajo del borde de una mesa o encimera.
18. Use solo termómetros especialmente diseñados para su uso en hornos microondas.
19. No utilice ningún artefacto de calefacción ni cocción detrás de este artefacto.
20. Al utilizar el horno, corrobore que el plato de vidrio y el anillo de rotación estén debidamente colocados.
21. Solo personal calificado podrá realizar el mantenimiento de este artefacto; comuníquese con el servicio de mantenimiento autorizado más cercano para el diagnóstico, reparación o ajuste del aparato.
22. Al limpiar superficies de la puerta y el horno que entran en contacto al cerrar la puerta, utilice jabones o detergentes suaves y no abrasivos, y aplíquelos con una esponja o paño suave.

**GUARDE ESTAS
INSTRUCCIONES**



INSTRUCCIONES DE CONEXIÓN

PELIGRO: RIESGO DE CHOQUE ELÉCTRICO

Manipular ciertos componentes internos puede provocar graves lesiones o incluso la muerte. NO desmonte este artefacto.

Enchufe de tres clavijas
(conexión a tierra)



ADVERTENCIA: RIESGO DE CHOQUE ELÉCTRICO

Una inadecuada conexión a tierra puede provocar choque eléctrico. No enchufe la unidad hasta que esté debidamente conectada a tierra.

Este electrodoméstico debe estar conectado a tierra. Si se produjera un cortocircuito, la conexión a tierra reduce el riesgo de choque eléctrico al disponer de un cable de escape para la corriente eléctrica. Este electrodoméstico incluye un cable y un enchufe con conexión a tierra. El enchufe debe conectarse a un tomacorriente debidamente instalado y conectado a tierra.

Consulte a un electricista o técnico calificado si tiene dudas sobre las instrucciones de conexión o si no sabe con certeza si el artefacto está debidamente conectado a tierra. Si precisara usar un prolongador, deberá usar uno de 3 cables, con enchufe de 3 clavijas para conexión a tierra y receptáculo de 3 orificios al que pueda conectarse el enchufe del electrodoméstico. La potencia nominal indicada en el prolongador debe ser igual o superior a la del electrodoméstico.

Se incluye un cable de alimentación corto para reducir el riesgo de enredarse o tropezar con un cable más extenso.

Es posible utilizar cables más extensos o prolongadores, siempre que se los utilice con precaución.

Si se utiliza un cable extenso o prolongador:

- 1) La potencia nominal deberá ser al menos igual a la del electrodoméstico.
- 2) Se debe utilizar un prolongador de 3 cables con conexión a tierra.
- 3) Se debe evitar que el cable cuelgue por debajo de la mesa o encimera para que los niños no puedan tirar de él ni sea posible tropezar accidentalmente.

INTERFERENCIA CON LA RADIO

El funcionamiento del horno microondas puede interferir con la radio, la TV u otros aparatos similares. Las interferencias pueden reducirse o eliminarse de la siguiente manera:

- 1) Limpie la puerta y la superficie de cierre del horno.
- 2) Reposicione la antena receptora de la radio o la televisión.
- 3) Reubique el horno microondas en relación con el receptor.
- 4) Aleje el horno microondas del receptor.
- 5) Enchufe el horno microondas en otro tomacorriente para conectarlo a un circuito derivado diferente del receptor.

PRECAUCIONES PARA EVITAR POSIBLES EXPOSICIONES A ENERGÍA DE MICROONDAS EXCESIVA

- 1) No intente utilizar este horno con la puerta abierta ya que podría significar una peligrosa exposición a energía de microondas. Es importante no dañar ni obstruir los cierres de seguridad.
- 2) No coloque ningún objeto entre la parte frontal del horno y la puerta, y evite que se acumulen suciedad o restos de productos de limpieza en las superficies de cierre.
- 3) **No utilice el horno si está dañado.** Es muy importante que la puerta cierre debidamente y los siguientes elementos no estén dañados:
 - (A) **puerta** (doblada)
 - (B) **bisagras y pasadores** (rotos o sueltos)
 - (C) **precintos y superficie de sellado de la puerta.**
- 4) Solo personal de mantenimiento calificado podrá ajustar o reparar el horno.

MATERIALES PERMITIDOS

PRECAUCIÓN: RIESGO DE LESIONES PERSONALES

Los recipientes herméticamente cerrados pueden explotar. Se deben abrir los recipientes cerrados y perforar las bolsas plásticas antes de la cocción.

En esta sección se detallan los utensilios que pueden utilizarse en el horno microondas, aquellos con uso limitado durante períodos breves y los que no pueden utilizarse.

RECOMENDADOS

Plato para dorar para microondas: Utilícelo para dorar el exterior de piezas pequeñas, como bifés, costillas o panqueques. Siga las instrucciones que se incluyen con el plato para dorar.

Envoltorio plástico para microondas: Utilícelo para retener el vapor. Deje un pequeño espacio para que el vapor pueda escapar y no lo coloque directamente sobre la comida.

Servilletas y paños de papel: Utilícelos para calentar y cubrir en programas breves; absorben el exceso de humedad y evitan salpicaduras. No utilice papel reciclado ya que puede contener metales y podría incendiarse.

Recipientes y platos de vidrio y cerámica de vidrio: Utilícelos para calentar y cocinar.

Platos y tazas de papel: Utilícelos para calentar brevemente a bajas temperaturas. No utilice papel reciclado ya que puede contener metales y podría incendiarse.

Papel encerado: Utilícelo para cubrir y evitar salpicaduras.

Termómetros: Utilice solo los indicados como "aptos para microondas" y respete sus instrucciones. Controle la temperatura de la comida en distintas zonas. Los termómetros convencionales pueden usarse sobre los alimentos luego de retirarlos del horno microondas.

USO LIMITADO

Papel de aluminio: Utilice tiras angostas para evitar la sobrecocción de las áreas expuestas. Utilizar demasiado puede dañar el horno; tenga cuidado. Se debe guardar una distancia de 1 pulg. (2.54 cm) entre el papel de aluminio y la cavidad del horno.

Cerámica, porcelana y gres: Utilícelos solamente si incluyen la indicación "apto para microondas". De lo contrario, pruébelos para asegurarse de que pueden utilizarse.

Plástico: Utilice solamente aquel con la indicación "apto para microondas". Los demás plásticos pueden derretirse.

NO RECOMENDADOS

Jarras y botellas de vidrio: El vidrio regular es demasiado delgado para usarlo en un horno microondas. Puede hacerse añicos y provocar daños y lesiones.

Bolsas de papel: Pueden provocar un incendio, excepto las de palomitas de maíz específicas para uso en microondas.

Platos y tazas de poliestireno: Pueden derretirse y dejar residuos perjudiciales sobre la comida.

Recipientes plásticos de comida y almacenamiento: Los recipientes como tarros de margarina pueden derretirse en el horno microondas.

Utensilios metálicos: Pueden dañar el horno. Retire cualquier tipo de metal antes de cocinar.

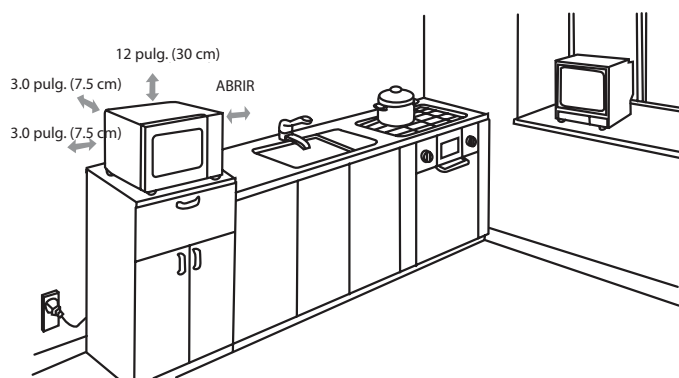
Nota:

Si desea corroborar que un determinado recipiente es apto para microondas, colóquelo vacío y ponga el horno a funcionar durante 30 segundos en temperatura ALTA. Si el recipiente se calienta demasiado, no deberá utilizarlo.



Guía de instalación

1. Asegúrese de retirar todo el material de embalaje del interior de la puerta y la superficie del gabinete. **No quite la capa de mica de color marrón claro fijada a la cavidad del horno para proteger el magnetrón.**
2. Controle que el horno no tenga daños, como puerta doblada o desalineada, precintos y superficie de sellado de la puerta dañados, bisagras o pasadores rotos o sueltos, o abolladuras en la cavidad o la puerta. Si hubiera algún daño, no utilice el horno y comuníquese con personal de mantenimiento calificado.
3. Este horno microondas debe colocarse sobre una superficie plana y estable que soporte su peso y del alimento más pesado que vaya a cocinarse en él.
4. No lo coloque en sitios donde se genere mucho calor o humedad, ni cerca de material combustible.
5. Para funcionar correctamente, el horno debe tener una adecuada circulación de aire. Deje 30 cm de espacio por encima del horno, 7.5 cm en la parte posterior y 7.5 cm a ambos lados (véase el diagrama). No cubra ni bloquee ninguna abertura del electrodoméstico. No quite la base sobre la que se sostiene el horno.
6. No haga funcionar el horno si la bandeja de vidrio, el soporte de rotación o el eje no están debidamente ubicados.
7. Verifique que el cable de alimentación no esté dañado y no quede ubicado por debajo del horno ni sobre ninguna superficie caliente o filosa.
8. El tomacorriente debe estar accesible para poder desenchufar rápidamente el artefacto ante una emergencia. El tomacorriente debe tener el mismo voltaje y frecuencia que los indicados sobre el artefacto.
9. Coloque el horno microondas lejos de radios y televisores para evitar interferencias.

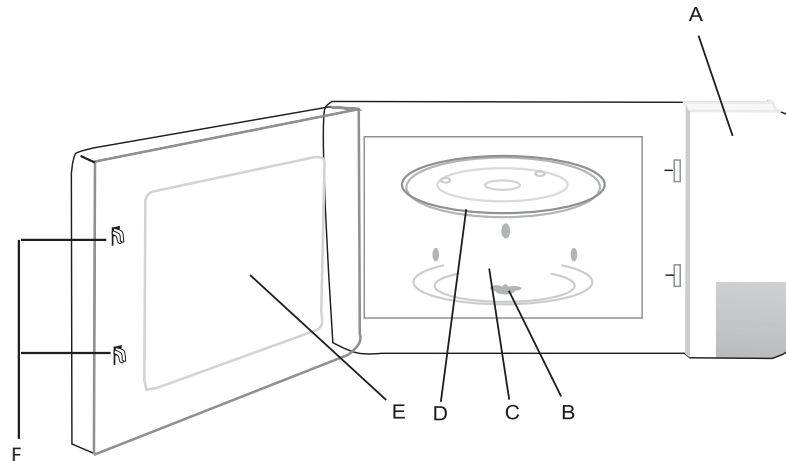




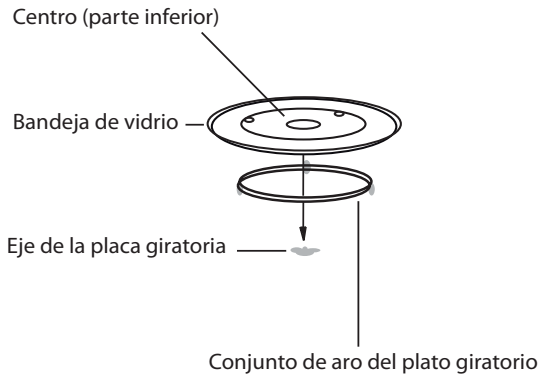
Instrucciones de funcionamiento

NOMBRES DE LAS PIEZAS

- A. Panel de control
- B. Eje de la placa giratoria
- C. Anillo de rotación
- D. Bandeja de vidrio
- E. Ventana del horno
- F. Mecanismo de cierre



INSTALACIÓN DE LA PLACA GIRATORIA

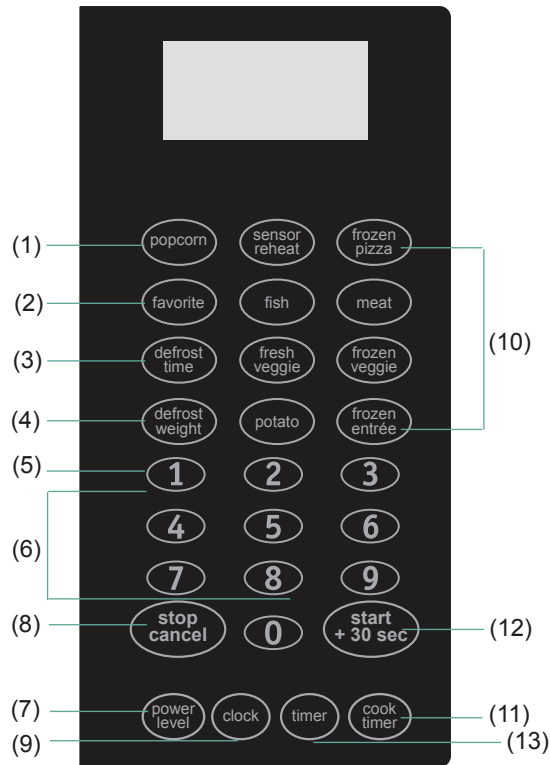


Modelo:	DMW14SA1WDB / DMW14SA1BDB
Tensión nominal:	120V - 60 hz
Potencia de entrada nominal:	1450 W
Potencia de salida nominal:	1000 W
Capacidad del horno:	1.3 pies cúbicos
Diámetro de la placa	12.4 pulg.
Dimensiones exteriores:	12.4 x 20.4 x 17.0 pulg., 314 x 519 x 432 mm
Peso neto:	Aprox. 36.4 lb (16.5 kg)



Instrucciones de funcionamiento

Panel de control y funciones



- 1) **Popcorn (palomitas de maíz):** Botón de cocción rápida
- 2) **Favorite (favoritos):** Cocción programada de acuerdo con su configuración preferida
- 3) **Defrost time (descongelación por tiempo):** Descongelación programada de acuerdo con un tiempo determinado
- 4) **Defrost weight (descongelación por peso):** Descongelación programada de acuerdo con el peso de los alimentos por descongelar.
- 5) **Botones Easysset:** Configuración automática del tiempo de cocción según el número de botón
- 6) **Botones numéricos:** Selección de tiempo o cantidad.
- 7) **Power level (nivel de potencia):** Configuración de niveles de potencia distintos de potencia alta.
- 8) **Stop/Cancel (detener/cancelar):** Permite borrar la configuración o detener el funcionamiento.
- 9) **Clock (reloj):** Configuración de la hora actual.
- 10) **Menú automático:** Configuración instantánea para cocinar comidas habituales.
- 11) **Cook timer (temporizador de cocción):** Permite establecer un tiempo de cocción
- 12) **Start/+30 Sec (inicio/+30 seg.):** Pone en marcha el horno microondas y agrega 30 segundos al tiempo de cocción total.
- 13) **Timer (temporizador):** Temporizador. Funciona de manera independiente, incluso durante un programa de cocción.



Instrucciones de funcionamiento

SEÑALES PRODUCIDAS DURANTE LA CONFIGURACIÓN DEL HORNO

UNA SEÑAL: El horno acepta la configuración.

DOS SEÑALES: El horno no acepta la configuración. Verifíquelo e intente nuevamente.

CONFIGURACIÓN DEL RELOJ

1. Presione CLOCK.

2. Utilice los botones numéricos para seleccionar la hora adecuada.

Nota: El formato del reloj es de 12 horas. Solo pueden seleccionarse números entre 1:00 y 12:59.

3. Presione nuevamente CLOCK.

NOTA:

Al enchufar por primera vez el horno, o al restablecerse la electricidad luego de un corte eléctrico, en la pantalla aparecerá ENTER CLOCK TIME. Si prefiere que no se muestre el reloj, presione RESET.

Al configurar el reloj, si se presiona el botón stop/cancel, o si la unidad no funciona luego de 1 minuto, el horno volverá automáticamente al estado de espera.

Puede controlar la hora durante la cocción presionando el botón CLOCK.

CONFIGURACIÓN DEL TEMPORIZADOR

1. Presione TIMER.

2. Introduzca el tiempo usando los botones numéricos (el tiempo máximo es 99 minutos y 99 segundos).

3. Presione START/+30SEC.

NOTA:

La cuenta regresiva del tiempo aparece en la pantalla durante 5 segundos, hasta que se muestra nuevamente el reloj o el tiempo de cocción.

Presione TIMER y luego RESET para cancelar TIMER durante el proceso de temporización.

Durante el funcionamiento del temporizador, no pueden configurarse programas de cocción rápida. El tiempo no puede aumentarse presionando START/+30SEC.



Instrucciones de funcionamiento

CONFIGURACIÓN DE UN PROGRAMA DE COCCIÓN

A. Cocción en un paso

1. Utilice los botones numéricos para seleccionar el tiempo de cocción. El tiempo de cocción puede variar de 1 segundo a 99 minutos y 99 segundos.
2. Si desea elegir una potencia distinta del 100%, presione POWER LEVEL y determine la potencia usando los botones numéricos. El nivel de potencia puede ser de 1 a 9.
3. Toque START/+30SEC para iniciar la cocción.

B. Cocción en dos pasos:

Ciertas recetas requieren diferentes etapas de cocción a distintas temperaturas.

1. CONFIGURACIÓN ETAPA 1:

Siga los pasos 1 y 2 de "Cocción en un paso". NO PRESIONE START/STOP

2. CONFIGURACIÓN ETAPA 2:

Presione COOK, introduzca el tiempo de cocción deseado y el nivel (más bajo) de potencia.

3. Presione START/STOP.

NOTA:

- Durante la cocción, puede controlar la potencia presionando el botón POWER LEVEL.

Potencia de cocción	100%	90%	80%	70%	60%	50%	40%	30%	20%	10%
Teclado numérico	1,0	9	8	7	6	5	4	3	2	1

BOTONES EASYSET

Es posible cocinar al 100% de potencia en incrementos de 1, 2 ó 3 minutos presionando los botones 1, 2 ó 3. Presione Start/+30SEC para prolongar el tiempo de cocción 30 segundos. El tiempo máximo de cocción son 99 minutos y 99 segundos.

Para comenzar a cocinar al instante al 100% de potencia durante 30 segundos, presione el botón Start/+30SEC. Cada vez que presione este botón, el tiempo de cocción se prolongará 30 segundos más, hasta un máximo de 99 minutos y 99 segundos.

DEFROST WEIGHT (Descongelación por peso)

1. Presione DEFROST WEIGHT.

2. Ingrese el peso usando los botones numéricos (el peso máximo permitido es 6.3 lb).

3. Presione START/+30SEC.

NOTA:

- El peso debe indicarse en libras y onzas. A los pesos en onzas inferiores a 10 debe anteponerse un 0. Si en la etiqueta el peso figura solo en libras, transforme en onzas la fracción de libras usando el cuadro de la página siguiente.
- Tal vez deba dar vuelta los alimentos durante la cocción; presione START/STOP para reanudar el programa.



Instrucciones de funcionamiento

Conversión de fracciones de libra a onza	
Fracciones de libra	Onzas
Menos de 3	0
0.03-0.09	1
0.10-0.15	2
0.16-0.21	3
0.22-0.27	4
0.28-0.34	5
0.35-0.40	6
0.41-0.46	7
0.47-0.53	8
0.54-0.59	9
0.60-0.65	10
0.66-0.71	11
0.72-0.78	12
0.79-0.84	13
0.85-0.90	14
0.91-0.97	15
más de 0.97	Siguiente valor par

DEFROST TIME (Descongelación por tiempo)

1. Presione DEFROST TIME.
2. Introduzca el tiempo de descongelación deseado usando los botones numéricos correspondientes (el tiempo máximo es 99 minutos y 99 segundos).
3. Presione START/STOP.

POPCORN (Palomitas de maíz)

1. Presione POPCORN repetidamente hasta que aparezca en pantalla el peso deseado.

Presione una vez para una bolsa de palomitas de maíz regular de 3,0 oz; en la pantalla aparecerá 3.0.

Presione dos veces para una bolsa de palomitas de maíz tamaño individual de 1,75 oz; en la pantalla aparecerá 1.75.

Presione tres veces para una bolsa de palomitas de maíz tamaño familiar de 3,5 oz; en la pantalla aparecerá 3.5.

Presione START/+30SEC.



Instrucciones de funcionamiento

MENÚ AUTOMÁTICO

Para cocinar comidas habituales (pizza congelada, pescado, carne, verduras frescas, verduras congeladas, papas, aperitivos congelados), simplemente elija el botón correspondiente de las opciones de menú automático, introduzca los alimentos en el horno y presione START/+30SEC. No es necesario seleccionar el tiempo ni la potencia.

El sensor sonará dos veces al detectar vapor y mostrará el tiempo restante. El timbre sonará 5 veces una vez finalizada la cocción.

Para obtener mejores resultados:

- 1) La temperatura ambiente no debe superar los 35 grados Fahrenheit.
- 2) Los alimentos deben pesar más de 110 g/4 oz.
- 3) La cavidad del horno, la bandeja de vidrio y los recipientes deben estar secos al colocarlos.
- 4) La puerta debe permanecer cerrada hasta que el sensor suene dos veces. No abra la puerta del horno ni presione STOP/CANCEL hasta que suene el sensor; de lo contrario, el sensor no será preciso. Luego del doble pitido y de que comience la cuenta regresiva en la pantalla, podrá abrir la puerta para revolver la comida y luego restablecer el funcionamiento.

Menú	Peso	Temp. inicial	Instrucciones adicionales
SC-1 Sensor Reheat (Recalentamiento por sensor)	8~12 Oz	5 grados	Recaliente la comida en un plato. Al concluir el tiempo del sensor, comienza la cuenta regresiva del tiempo de cocción. Ahora puede mezclar y seguir recalentando.
SC-2 Frozen Pizza (Pizza congelada)	6~12 Oz (170~340g)	18 grados bajo cero	Si el peso es superior a 12 oz, seleccione manualmente el tiempo de cocción adicional.
SC-3 Fish (Pescado)	4~16 g (110~450g)	5 grados	Distribúyalo en una única capa. Cubra con una tapa o envoltorio plástico ventilado. Cubra antes de cocinar, dejando un espacio cerca del borde del recipiente para permitir la salida de vapor. Al cocinar, se inicia la cuenta atrás; presione "STOP" para pausar, abra la puerta del horno para dar vuelta el alimento y continúe cocinando.
SC-4 Meat (Carne)	8~24 Oz (225~680g)	5 grados	Separe en un colador o recipiente de vidrio. Cubra con una tapa o envoltorio plástico ventilado. Los jugos deben ser transparentes una vez cocidos, escúrralos. Al cocinar, se inicia la cuenta atrás. Presione "STOP" para pausar, abra la puerta del horno para mezclar y continúe cocinando.
SC-5 Fresh Vegetable (Verduras frescas)	4~16Oz (110~450g)	Temp. ambiente	Todas las piezas deben tener el mismo tamaño. Enjuáguelas debidamente, agregue 15 ml de agua por cada 125 g de verduras y cubra con una tapa o envoltorio plástico ventilado. Al cocinar, se inicia la cuenta atrás. Presione "STOP" para pausar, abra la puerta del horno para mezclar y continúe cocinando.
SC-6 Frozen Vegetable (Verduras congeladas)	6~16Oz (170~450g)	18 grados bajo cero	Enjuáguelas debidamente, agregue 15 ml de agua por cada 125 g de verduras y cubra con una tapa o envoltorio plástico ventilado.
SC-7 Potato (Papas)	1~4 Units (6~8Oz each one)	Temp. ambiente	Perfore 6 veces la superficie de cada papa con un tenedor. Colóquelas alrededor de los bordes de la placa giratoria cubierta con servilletas de papel. No las cubra. Si se precisara más tiempo, continúe la cocción manualmente. Para no quemarse, déjelas dentro del horno durante 5 minutos una vez terminada la cocción.
SC-8 Frozen entree (Aperitivos congelados)	8~32 Oz (225~900g)	18 grados bajo cero	Tenga cuidado al retirar la cubierta plástica luego de la cocción. Aparte el rostro para evitar quemarse con el vapor. Si se precisara más tiempo, continúe la cocción manualmente. Cubra antes de cocinar, dejando un espacio cerca del borde del recipiente para permitir la salida de vapor. Luego del doble sonido del timbre, se inicia la cuenta regresiva de la cocción. Presione "STOP" para pausar y abra la puerta del horno para mezclar.



Instrucciones de funcionamiento

SENSOR REHEAT (Recalentamiento por sensor)

- 1) Presione SENSOR REHEAT y coloque la comida en el horno. Aparecerá 'SC-1'.
- 2) Presione START/+30SEC para iniciar la función de recalentamiento por sensor; no es necesario seleccionar el tiempo.
- 3) El sensor sonará dos veces al percibir la presencia de vapor. Aparecerá el tiempo de cocción restante y el artefacto sonará 5 veces al finalizar la cocción.

El horno no podrá percibir el recalentamiento si la temperatura de la cavidad ya es alta.

Los alimentos que se recalentarán deben tener una cubierta ventilada.

Use solo bandejas aptas para microondas.

Durante el recalentamiento por sensor, no abra la puerta ni presione el botón STOP/CANCEL.

Alimentos que deben evitarse en el modo Recalentamiento por sensor:

- Pan y otros alimentos secos, como galletas o pasteles.
- Alimentos crudos o sin cocinar
- Bebidas y alimentos congelados

FAVORITE (Favoritos)

Este horno microondas puede memorizar hasta 3 configuraciones preferidas. Para seleccionar una configuración de tiempo y potencia preferida:

- 1) Presione FAVORITE una vez para establecer la primera configuración preferida; dos veces, para la segunda configuración preferida, y tres veces, para la tercera configuración preferida.
- 2) Presione COOK TIME, luego indique el tiempo de cocción usando el teclado numérico.
- 3) Presione POWER LEVEL y luego el número correspondiente al nivel de potencia deseado.
- 4) Presione FAVORITE para guardar la configuración.
- 5) Para ejecutar el programa preferido, presione FAVORITE la cantidad de veces correspondiente al número de configuración preferida (una vez para la primera, dos veces para la segunda, etc.); luego presione START/+30SEC.

Nota: Las funciones de menú automático no pueden guardarse como favoritas.

Mientras el horno está cocinando, puede presionar CLOCK para ver la hora durante tres segundos; luego la pantalla volverá al tiempo de cocción.

Mientras el horno está cocinando, puede presionar POWER LEVEL para visualizar el nivel de potencia actual. Después de tres segundos, se restablecerá el tiempo de cocción en la pantalla.

CONSULTA DE LA CONFIGURACIÓN

CONFIGURACIÓN DEL SEGURO PARA NIÑOS

El seguro evita el uso del artefacto por parte de los niños sin la supervisión de un adulto.

Para configurarlo, mantenga presionado STOP/CANCEL durante 3 segundos. Un "pitido" prolongado indicará que la configuración ha sido aceptada.

Para cancelar, mantenga presionado STOP/CANCEL durante 3 segundos. Un "pitido" prolongado indicará que la configuración ha sido aceptada.



Instrucciones de funcionamiento

FUNCIÓN RECORDATORIA

Si no se abre la puerta al terminar la cocción, el timbre sonará 5 veces como recordatorio de que la cocción ha terminado.

OTROS

- 1) En el modo de espera, si se ha configurado la hora actual, el ícono : parpadeará; de lo contrario, se mostrará 0:00.
- 2) Al configurar una función, aparecerá el ícono correspondiente.
- 3) Ya sea en pausa o en funcionamiento, el horno microondas mostrará el tiempo de cocción restante.



Instrucciones de funcionamiento

MÉTODOS DE COCCIÓN

Si tiene en cuenta las siguientes consideraciones, la cocción con el horno microondas será más fácil que con el método convencional.

MEZCLAR: Mezcle las comidas, como guisos y verduras, durante su cocción para distribuir bien el calor. La comida ubicada en los bordes del plato absorbe más energía y se calienta más rápidamente; mezcle desde los bordes hacia el centro. El horno se detendrá al abrir la puerta para mezclar los alimentos.

DISTRIBUCIÓN: Distribuya los alimentos de distintos tamaños, como piezas de pollo o costillas, colocando las partes más gruesas y con más carne hacia los bordes de la placa giratoria para que reciban más energía de microondas. Para evitar la sobrecocción, ubique las zonas delicadas, como puntas de espárragos, hacia el centro de la placa giratoria.

PROTECCIÓN: Proteja la comida con tiras angostas de papel de aluminio para evitar su sobrecocción. Algunas partes que requieren protección: puntas de alas de pollo, extremos de patas de pollo y esquinas de fuentes para hornear cuadradas. Use solo pequeñas cantidades de papel de aluminio. Usar grandes cantidades puede dañar el horno.

VOLTEAR: Dé vuelta los alimentos a mitad de cocción para que todas las partes queden expuestas a la energía de microondas. Este aspecto es muy importante en comidas de gran volumen, como carne asada.

REPOSO : Los alimentos cocidos con microondas acumulan calor interno y siguen cociéndose durante algunos minutos después de finalizado el programa. Déjelos reposar para completar la cocción, especialmente en el caso de pasteles y verduras enteras. Las carnes asadas precisan de este tiempo adicional para completar la cocción del centro sin que se cuezan en exceso las partes exteriores. Todos los líquidos, como la sopa o el chocolate caliente, se deben agitar o mezclar al finalizar su cocción. Déjelos reposar un momento antes de servir. Al cocinar comida para bebés, mézclela bien después de retirarla y compruebe su temperatura antes de servir.

HUMEDAD AÑADIDA: La energía de microondas es atraída hacia las moléculas de agua. Los alimentos con diferencias en el contenido de humedad deben cubrirse o dejarse reposar para que el calor se distribuya uniformemente. Agregue una pequeña cantidad de agua a los alimentos secos para facilitar su cocción.



limpieza y cuidado

- 1) Antes de limpiarlo, apague el horno y desconecte el enchufe de alimentación del tomacorriente.
- 2) Mantenga limpio el interior del horno. Si se salpica comida o líquidos a las paredes del horno, limpie con un paño húmedo. Si el horno está muy sucio, puede utilizarse un detergente suave. Evite el uso de pulverizadores y otros limpiadores abrasivos ya que podría mancharse, rayarse o deslucirse la superficie de la puerta.
- 3) Las superficies exteriores deben limpiarse con un paño húmedo. Para evitar daños a las piezas de funcionamiento interno del horno, no debe filtrarse agua por los orificios de ventilación.
- 4) Limpie la ventana del horno de ambos lados con un paño húmedo para quitar salpicaduras o derrames.
- 5) Evite que el panel de control se humedezca. Límpielo con un paño suave y húmedo. Al limpiar el panel de control, mantenga la puerta del horno abierta para evitar que se encienda por accidente.
- 6) Si se acumula vapor dentro del horno o alrededor de la puerta, limpie con un paño suave. Esto puede ocurrir si se utiliza el horno microondas bajo condiciones de mucha humedad; es algo normal.
- 7) Ocasionalmente, es necesario retirar la bandeja de vidrio para su limpieza. Lávela en agua tibia jabonosa o en el lavavajillas.
- 8) El anillo de rotación y la base del horno se deben limpiar con regularidad para evitar un ruido excesivo. Simplemente limpie la base del horno con detergente suave. El anillo de rotación puede lavarse con agua tibia jabonosa o en el lavavajillas. Si quita el anillo de rotación de la cavidad para limpiarlo, asegúrese de volver a colocarlo en la posición correcta.
- 9) Elimine los olores del horno colocando una taza de agua y el jugo y la cáscara de un limón en un recipiente profundo y haciendo funcionar el horno durante 5 minutos. Limpie profundamente y seque con un paño suave.
- 10) Si fuera necesario cambiar la luz del horno, consulte a un distribuidor para que realice la tarea.
- 11) Al limpiar la superficie de la puerta o el horno, use solo jabones o detergentes suaves, no abrasivos, y aplíquelos con una esponja o un paño suave.
12. No arroje este electrodoméstico en un cubo de basura doméstico; colóquelo en el centro de desechos adecuado provisto por el gobierno local.



Resolución de problemas

Ocasionalmente pueden presentarse problemas menores ante los cuales no será necesario llamar al servicio técnico. Siga esta guía de resolución de problemas para intentar resolverlos. Si el mal funcionamiento del artefacto persiste, llame a un servicio de mantenimiento autorizado o al **número gratuito de Danby, 1-800-263-2629, para recibir asistencia.**

PROBLEMA	CAUSA POSIBLE	SOLUCIÓN
El horno no enciende	<ul style="list-style-type: none">a. El cable eléctrico del horno no está enchufado.b. La puerta está abierta.c. Se ha configurado una operación equivocada.	<ul style="list-style-type: none">a. Enchufe el cable en el tomacorriente.b. Cierre la puerta e inténtelo nuevamente.c. Corrobore las instrucciones.
Arco eléctrico o chispas	<ul style="list-style-type: none">a. Se han utilizado materiales que deben evitarse en el horno microondas.b. El horno funciona estando vacío.c. En la cavidad hay restos de alimentos derramados.	<ul style="list-style-type: none">a. Utilice solamente utensilios de cocina aptos para microondas.b. No utilice el horno estando vacío.c. Limpie la cavidad con un paño húmedo.
Los alimentos no se cuecen de forma pareja	<ul style="list-style-type: none">a. Se han utilizado materiales que deben evitarse en el horno microondas.b. Los alimentos no se han descongelado por completo.c. El tiempo de cocción o el nivel de potencia no son adecuados.d. No se giran ni mezclan los alimentos.	<ul style="list-style-type: none">a. Utilice solamente utensilios de cocina aptos para microondas.b. Descongele por completo los alimentos.c. Utilice un tiempo de cocción y nivel de potencia adecuados.d. Dé vuelta o mezcle los alimentos.
Alimentos sobrecocidos	El tiempo de cocción o el nivel de potencia no son adecuados.	Utilice un tiempo de cocción y nivel de potencia adecuados.
Alimentos poco cocidos	<ul style="list-style-type: none">a. Se han utilizado materiales que deben evitarse en el horno microondas.b. Los alimentos no se han descongelado por completo.c. Están bloqueados los orificios de ventilación.d. El tiempo de cocción o el nivel de potencia no son adecuados.	<ul style="list-style-type: none">a. Utilice solamente utensilios de cocina aptos para microondas.b. Descongele por completo los alimentos.c. Verifique que los orificios de ventilación del horno no estén obstruidos.d. Utilice un tiempo de cocción y nivel de potencia adecuados.
Escasa descongelación	<ul style="list-style-type: none">a. Se han utilizado materiales que deben evitarse en el horno microondas.b. La configuración del tiempo de cocción o el nivel de potencia no es correcta.c. No se mezclaron ni se dieron vuelta los alimentos.	<ul style="list-style-type: none">a. Utilice solamente utensilios de cocina aptos para microondas.b. Utilice un tiempo de cocción y nivel de potencia adecuados.c. Mezcle o dé vuelta los alimentos durante la descongelación.



GARANTÍA LIMITADA PARA ELECTRODOMÉSTICOS

Este producto de calidad está garantizado contra defectos de fabricación, incluyendo partes y mano de obra, siempre y cuando la unidad se utilice bajo las condiciones normales de funcionamiento para las que fue diseñado.

Esta garantía está solamente disponible para la persona que haya comprado originalmente esta unidad directamente de DanbyProducts Limited (Canada) o Danby Products Inc. (U.S.A.) (en adelante "Danby") o uno de sus distribuidores autorizados, y no es transferible.

CONDICIONES DE LA GARANTÍA

Las piezas plásticas, se autorizan por treinta (30) días solamente a partir de la fecha de la compra, sin las extensiones proporcionadas.

Primeros 12 Meses opción Durante los primer 12 meses, cualquier parte en buen estado de este producto que resulte defectuosa, será reparado o reemplazado, a del fabricante, sin cargo para el comprador ORIGINAL.

Para obtener Service El cliente será responsable por transportar dicho artefacto hasta el Taller de Servicio Autorizado mas cercano. Comuníquese con el distribuidor donde haya comprado la unidad, o llame al Taller de Servicio Autorizado más cercano, donde debe ser reparada por un técnico calificado.
Si esta unidad es reparada en otro lugar que no sea un Taller de Servicio Autorizado, o si la unidad se utiliza para aplicaciones comerciales, Danby no se hará responsable de ninguna forma y la garantía será nulo.

Nada de lo indicado en esta garantía debe implicar que Danby se hará responsable por el deterioro de los alimentos o el daño a otros componentes de este electrodoméstico, ya sea debido a defectos del aparato, o al uso que se le dé, sea éste adecuado o inadecuado.

EXCLUSIONES

Salvo lo aquí indicado por Danby, no existen otras garantías, condiciones o representaciones, explícitas o implícitas, concretas o intencionales por parte de Danby o sus distribuidores autorizados y todas las demás garantías, condiciones o representaciones, incluyendo cualquier garantía, condiciones o representaciones bajo cualquier Acta de Venta de Productos o legislación o estatuto similar, quedan de esta forma expresamente excluidas. Salvo lo aquí indicado, Danby no serán responsables por ningún daño a personas o bienes, incluyendo la propia unidad, sin importar su causa, o de ningún daño indirecto causado por el desperfecto de la unidad, y al comprar esta unidad, el comprador acepta por la presente, indemnizar y proteger a Danby contra cualquier reclamo por daños a personas o bienes causados por la unidad.

CONDICIONES GENERALES

No se considerará ninguna de estas garantías o seguros cuando el daño o la necesidad de reparación sea el producto de los siguientes casos:

- 1) Falla del suministro eléctrico.
- 2) Daños en tránsito o durante el transporte de la unidad.
- 3) Alimentación incorrecta, como bajo voltaje, instalación eléctrica defectuosa o fusibles inadecuados.
- 4) Accidente, modificación, abuso o uso incorrecto del artefacto, tal como insuficiente ventilación del ambiente o condiciones de operación anormales (temperatura ambiente extremadamente alta o baja).
- 5) Utilización comercial o industrial (v.g., si el electrodoméstico no está instalado en una vivienda particular).
- 6) Incendio, daños por agua, robo, guerra, disturbios, hostilidades, actos de fuerza mayor como huracanes, inundaciones, etc.
- 7) Pedidos de servicio debido a desinformación del usuario.
- 8) Instalación inadecuada (v.g., instalación empotrada de un electrodoméstico diseñado como unidad independiente o uso de un electrodoméstico al aire libre que no esté aprobado para dicho fin).

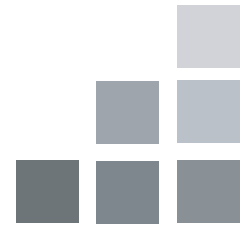
Para acceder a la garantía se solicitará un comprobante de compra; por lo tanto, guarde su recibo. En caso de necesitar servicio de garantía, presente ese documento al TALLER DE SERVICIO AUTORIZADO.

Servicio de Garantía
Garantía para Llevar a Taller de Servicio

Danby Products Limited
PO Box 1778, Guelph, Ontario, Canada N1H 6Z9
Telephone: (519) 837-0920 FAX: (519) 837-0449

1-800-263-2629

Danby Products Inc.
PO Box 669, Findlay, Ohio, U.S.A. 45840
Telephone: (419) 425-8627 FAX: (419) 425-8629



MICROWAVE

The model number can be found on the serial plate located on the back panel of the unit.

All repair parts are available for purchase or special order when you visit your nearest service depot. To request service and/or the location of the service depot nearest you, call the TOLL FREE number.

When requesting service or ordering parts, always provide the following information:

- Product Type
- Model Number
- Part Number
- Part Description

MICROONDA

El número de modelo se puede encontrar en la placa serial situada en el panel trasero de la unidad.

Todas las piezas de reparación disponibles para la compra o la orden especial cuando usted visita su depósito más cercano del servicio. Para pedir servicio y/o la localización del depósito del servicio lo más cerca posible usted, llame Danby gratis.

Al pedir servicio o pidiendo piezas, proporcione siempre la información siguiente:

- Tipo de Producto
- Número de Modelo
- Pieza número
- Descripción de la Parte

MICRO-ONDES

Le numéro de modèle se trouve sur la plaque d'information sur le panneau arrière de l'appareil.

Toutes les pièces de rechange ou commandes spéciales sont disponibles à votre centre de service régional autorisé. Pour obtenir le service et/ou la localité de votre centre de service régional, signalez le NUMÉRO D'APPEL SANS FRAIS.

Ayez les renseignements suivants à la portée de la main lors de la commande de pièce ou service:

- Type de produit
- Numéro de modèle
- Numéro de pièce
- Description de la pièce



Model • Modèle • Modelo
DMW14SA1WDB / DMW14SA1BDB