



**realflame**<sup>®</sup>  
gel fireplaces and accessories

Welcome to the Real Flame family of gel fuel products. If you have questions please call customer service at 1-800-654-1704 or log on to [www.REALFLAME.com](http://www.REALFLAME.com)

## ⚠️ WARNINGS ⚠️



Model # G8600  
Silverton Fireplace

1. Fireplace is designed to be used with Real Flame<sup>®</sup> gel fuel only. Do not use with any other gel fuel or any other flammable liquid or gel.
2. Read entire label and instructions before using Real Flame gel fuel.
3. Make sure fireplace is set on a flat, level and stable surface. Keep fireplace stable at all times.
4. Make sure fireplace and gel fuel are burned on a flat and level surface.
5. Never leave a burning fire unattended, especially around children or pets.
6. Fireplace is not to be operated by children. Keep away from children and pets.
7. Exercise the same precautions as you would with any open fire.
8. When in use some surfaces will be hot, use caution.
9. Never touch logs, gel fuel cans or any other metal surfaces during or immediately after burning gel fuel. They will be extremely HOT. Allow them to cool for 60 minutes before touching.
10. Do not burn more than three cans of fuel at once.
11. Do not place more than 15 lbs. of weight on the top of the fireplace at anytime.
12. Do not alter fireplace, metal firebox or log set in any manner.
13. Keep fireplace and gel fuel cans away from flammable materials at all times.
14. Do not store or use gasoline or any other flammable vapors, liquids, or materials in the vicinity of fireplace and gel fuel.
15. Do not wear flammable or loose clothing when operating the fireplace.
16. Do not move fireplace while in use. Do not attempt to move or store the fireplace until 60 minutes after gel fuel cans have been extinguished.
17. Do not burn trash, paper, or wood in the fireplace. Burn only Real Flame<sup>®</sup> gel fuel in the fireplace.
18. Do not burn gel fuel outside designated burn areas on the metal grate.
19. Do not put fireplace in an area with lots of traffic, such as a hallway or entryway.
20. In case of an emergency use a CO2 extinguisher to extinguish the fire.
21. Death, serious injury or damage to property may occur if the warnings above are not followed.
22. If for any reason you cannot follow these warnings please call us at 1-800-654-1704.

**NOTICE: Buyer assumes all responsibility for safety and use that is not in accordance with instructions and warnings.**

### Using your Fireplace

- Fireplace is designed to be used indoors, there is no need for ventilation.
- Use extreme caution while burning. Some surfaces become extremely hot during use.
- Follow all instructions included with gel fuel before use.
- Before using fireplace, be sure you have read and understand the step-by-step instructions.
- During the initial burn you may experience a slight odor. Odor is temporary and will be absent on following burns.

# Step One

## Parts List

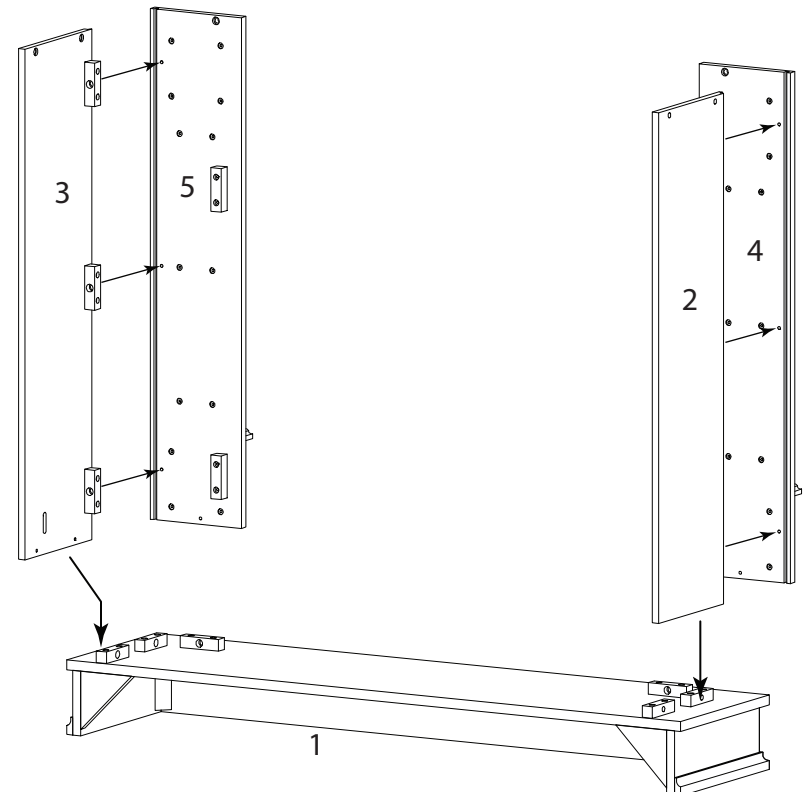
Number	Description	Part Number	Quantity
1	Base	G8601	1
2	Left Side Panel	G8602	1
3	Right Side Panel	G8603	1
4	Left Trim Panel	G8604	1
5	Right Trim Panel	G8605	1
6	Center Panel	G8606	1
7	Mantel Top	G8607	1
8	Left Firebox Trim	G8608	1
9	Right Firebox Trim	G8609	1
10	Lower Firebox Trim	G8610	1
11	Top Firebox Trim	G8611	1
12	Firebox Support	G8612	1

Not Shown:



1" Phillips Screws 9713 Bag

- Set base (1) on a flat surface as shown.
- Using tongue and groove fit the Right Side Panel (3) into the Right Front Panel (5). Make sure the bottom edges of the Right Side Panel and Right Trim Panel are flush. Attach together with three 1" screws through mounting blocks.
- Repeat with Left Side Panel (2) and Left Front Panel (4).
- Place assembled Right Panels on base with mounting block on the inside of Right Side Panel (3) against inside of base as shown in figure 1. Attach with three 1" screws through mounting blocks.
- Repeat process using assembled Left Side Panels.



Before assembly, locate instructions and hardware. Take out all parts and compare them to the photograph and the assembly illustrations. Be sure you have all parts identified.

Check for screws that are wrapped in the packaging to be sure you don't discard them. You may have extra screws.

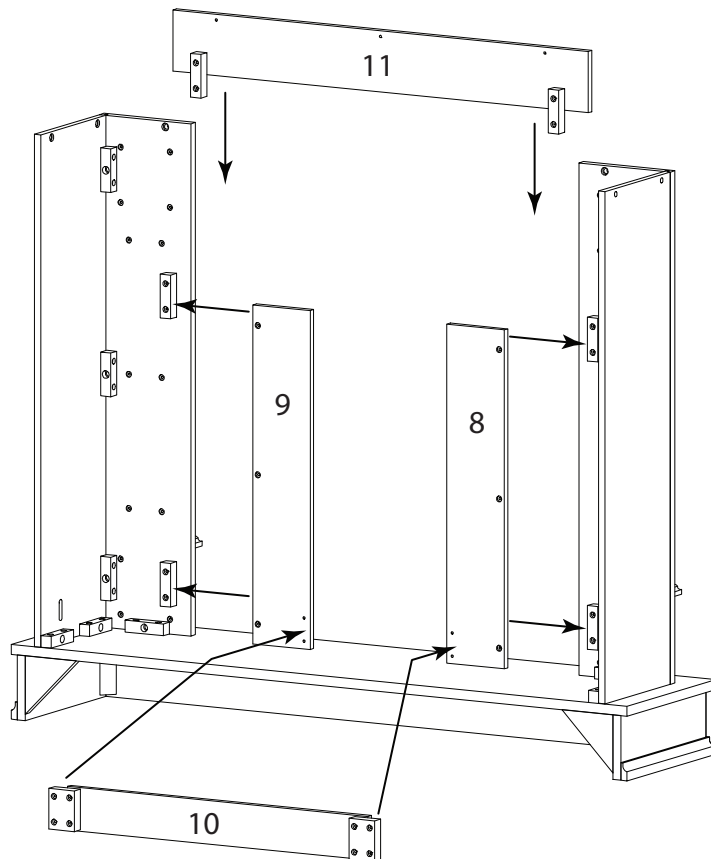
A helping hand is always good. Assemble fireplace with an adult assistant if possible.

The cement log is heavy. Put the fireplace in the desired location before inserting cement log.

Use caution not to over tighten screws.

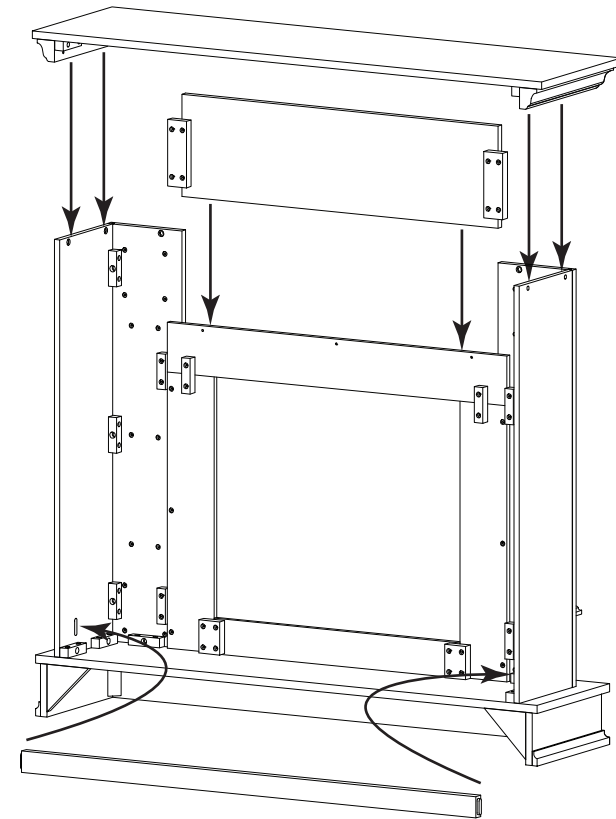
## Step Two

- Place the Right Firebox Trim (9) against the two mounting blocks located on the back of the Right Front Panel. Attach the trim through the three holes in trim piece with three 1" screws.
- Repeat on opposite side with Left Firebox Trim (8).
- Place the Lower Firebox Trim (10) on the base and between the Left and Right Firebox Trim pieces. Attach to the back of the Left and Right Firebox Trim pieces with four 1" screws.
- Fit the Upper Firebox Trim (11) on top of the Left and Right Firebox Trim between the mounting blocks. Attach with two 1" screws through mounting blocks on the Upper Firebox Trim.



## Step Three

- Slide the Center Panel (6) down between the Left and Right Front Panel. The top edge of the Center Panel should be flush with the top edge of the Front Panels. Attach the Center Panel with seven 1" screws through the mounting blocks and through holes in the Upper Firebox Trim.
- Fit one side of the firebox support into the hole on the Right Side Panel. Slide the opposite end into the groove on the Left Side Panel. Make sure this piece is fully seated into position.
- Set the Mantel Top on top of the Trim Panels and Side Panels so that the trim on the top overhangs the front and sides. Attach with six 1" screws through top of Side and Trim Panels.



You are now ready for the firebox installation.  
Please refer to the instructions that are included with your firebox.