

# WINDSTER™

[www.windsterhood.com](http://www.windsterhood.com)

# Installation Guide and Users Manual

## Range Hood

For residential use only

**IMPORTANT:**

Read and save these instructions.

**NOTICE:**

Installer: Leave this guide with the homeowner

Homeowner: Keep this guide for future reference



**IMPORTANT : This is a top venting range hood. This unit can't replace a back venting range hood. Check your existing range hood venting system to ensure your venting is compatible. Carefully check the unit prior to installation to ensure there is no damage. Until you are satisfied with your new range hood, otherwise do not dispose of any packaging.**

## **Table of Contents**

<b>A. Important Safety Instructions .....</b>	<b>P.01</b>
<b>B. Before You Start .....</b>	<b>P.02</b>
<b>C. Electrical Requirements .....</b>	<b>P.04</b>
<b>D. List of Materials .....</b>	<b>P.05</b>
<b>E. Planning for Installation .....</b>	<b>P.07</b>
- Dimensions .....	P.07
- Outdoor Venting Method .....	P.08
<b>F. Installation Instructions .....</b>	<b>P.09</b>
- Island Model Ducted Installation Method (Venting to the Outside) .....	P.10
- Wall Mount Model Ducted Installation Method (vented to the outside) .....	P.12
- Island Model Ductless Installation Method (Not vented to the outside) .....	P.13
- Wall Mount Model Ductless Installation Method (Not vented to the outside) .....	P.13
<b>G. Range Hood Operation .....</b>	<b>P.14</b>
<b>H. Maintenance .....</b>	<b>P.14</b>
<b>I. Specifications .....</b>	<b>P.15</b>
<b>J. Trouble Shooting .....</b>	<b>P.16</b>
<b>K. Wiring Diagram .....</b>	<b>P.17</b>
<b>L. Replacement of charcoal filter .....</b>	<b>P.17</b>

### **READ AND SAVE THESE INSTRUCTIONS**

- Save this guide for local electrical inspector's use
- Approved for residential appliances
- For residential use only

### **INSTALLATION MUST COMPLY WITH ALL LOCAL CODES.**

- \* Requirement: 120V AC, 60Hz. 15 or 20 A Branch Circuit
- \* Read all instructions before proceeding.
- \* Turn off power circuit breaker before wiring this appliance..

## **A. IMPORTANT SAFETY INSTRUCTIONS**

Read all Instructions before Installing and operating this appliance.

### **Installation - DO NOT install if the appliance is damaged**

1. Carefully check the unit prior to installation to ensure there is no damage.
2. DO NOT dispose of any packaging until you are satisfied with your new range hood.
3. Installing the unit without an electrical and technical background could result in injury.
4. NEVER attempt to install this appliance yourself. The instructions in this manual are intended for qualified installers, service technicians or other qualified persons.
5. All electrical wiring must be properly installed, insulated and grounded.
6. Old duct work should be cleaned or replaced if necessary to avoid the possibility of a grease fire. Check all joints on duct work to insure proper connection. All joints should be properly taped.
7. Personal injury hazard:
  - (a) Range Hood may have very sharp edges. Please wear protective gloves to remove any parts for installing, cleaning or servicing.
  - (b) Because of the weight and size of the range hood, two or more people are needed to move and safely install the range hood. Failure to properly lift range hood could result in damage to the product or personal injury.

### **Operations - READ all instructions in this manual before operating the appliance.**

1. Always leave safety grills and filters in place. Without these components, operating blowers could catch on to hair, fingers and loose clothing.
2. NEVER LEAVE COOKING UNATTENDED.
3. Use caution when cooking with oil. Overheating may cause oil to reach its flash point and ignite. Used oil will ignite at lower temperatures than fresh oil.
4. NEVER COOK OVER OPEN FLAMES UNDER THE RANGE HOOD. Constantly monitor deep-fryers during use, as overheated oil may ignite.

### **Cleaning - DO NOT operate blowers when filters are removed.**

1. Filters must be cleaned periodically and kept free from accumulation of cooking residue (see cleaning instructions inside). Old and worn filters must be replaced immediately.
2. Keep this appliance clean and free of grease and residue build-up at all times to prevent possible fires. The saturation of greasy residue in the blower and filters may cause increased flammability.
3. NEVER DISASSEMBLE PARTS TO CLEAN WITHOUT PROPER INSTRUCTIONS. Parts should be disassembled by qualified persons only.

## B. BEFORE YOU START

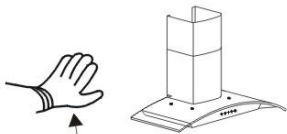
It is very important for your safety and the safety of others that you follow the many important safety messages in this manual and on your appliance. Always read and obey all safety messages. All safety messages will tell you what the potential hazard is, how to reduce the possibility of injury, and what can happen if the instructions are not followed.



This safety alert symbol alerts you to potential hazards that can kill or hurt you and others. All safety messages will follow the safety alert symbol and the word "WARNING".

### READ AND SAVE THESE INSTRUCTIONS

The manufacturer and distributors decline all responsibility in the event of failure to observe the instructions given here for installation, maintenance and suitable use of the product. The manufacturer and distributors further decline all responsibility for injury due to negligence and the warranty of the unit automatically expires due to improper maintenance.



Workman Safety Gloves

Remove PVC film before installation. Always wear "Safety Workman Gloves" for installation, cleaning, light bulb changing and dismantling to reduce the risk of injury.

**To get the best performance, the vertical clearance between the cook top and the range hood should range from 27 inches to 35 inches .**

**CAUTION:** For general ventilation use only. Do not use the range hood fans to exhaust hazardous or explosive vapours.

**WARNING:** To reduce the risk of fire, use only metal duct work.

**WARNING - To reduce the risk of fire, electric shock, or injury to persons, observe the following carefully:**

1. Use this unit only in the manner intended by the manufacturer. If you have any questions, contact the distributor, importer or the manufacturer.
2. Installation work and electrical wiring must be done by qualified person(s) in accordance with all applicable codes and standards, including fire-related construction.
3. Before servicing or cleaning the unit, switch power off at the junction box and lock the panel door to prevent power from being switched on accidentally. If the junction box door cannot be locked, securely fasten a prominent warning sign to the panel door.
4. Sufficient air is needed for proper combustion and exhausting of gases through the flue (duct cover) of fuel burning equipment to prevent back drafting. Follow the heating

equipment manufacturer's guidelines and safety standards such as those published by the *National Fire Protection Association (NFPA)* and the *American Society for Heating, Refrigeration and Air Conditioning Engineers (ASHRAE)*, and the local code authorities.

5. When cutting or drilling into the wall or ceiling, do not damage electrical wiring and hidden utilities.
6. Fans must always be vented to the outdoors.

**WARNING - To reduce the risk of injury in the event of a range top grease fire, observe the following:** (Based on "kitchen fire safety tips" published by the NFPA)

1. SMOTHER FLAMES with a close-fitting lid, cookie sheet, or metal tray, then turn off the burner. BE CAREFUL TO PREVENT BURNS. If the flames do not go out immediately, EVACUATE AND CALL THE FIRE DEPARTMENT.
2. NEVER PICK UP A FLAMING PAN - you may be burned.
3. DO NOT USE WATER, including wet dishcloths or towels - a violent steam explosion will result.
4. Use an extinguisher ONLY if:
  - a. You know you have a class ABC extinguisher, and you already know how to operate it.
  - b. The fire is small and contained in the area where it started.
  - c. The fire department is being called.
  - d. You can fight the fire with your back to an exit.

**WARNING - To reduce the risk of a range top grease fire:**

1. Never leave cooking unattended as boil-overs may ignite. Heat oils slowly on low or medium settings.
2. Always turn hood fans on when cooking at high heat or when cooking flambe foods. (i.e. Crepes Suzette, Cherries Jubilee, Peppercorn Beef Flambe).
3. Clean ventilating fans frequently. Grease should not be allowed to accumulate on fan or filter.
4. Use proper pan size. Always use cookware appropriate for the size of the surface element.

**CAUTION:** To reduce risk of fire and to properly exhaust air, be sure to vent air outside - do not vent exhaust air into spaces within walls, ceilings, attics, crawl spaces, or garages.

**WARNING:** To reduce the risk of fire or electrical shock, do not use this hood with any external solid state speed control device.

## **GROUNDING INSTRUCTIONS**

This appliance must be grounded. In the event of an electrical short circuit, grounding reduces the risk of electric shock by providing an escape wire for the electric current.

**WARNING:** Improper grounding can result in a risk of electric shock. Consult a qualified electrician if the grounding instructions are not completely understood or if doubt exists as to whether the appliance is properly grounded.

**CAUTION:** The range hood has a thermally protected system for the motor, which will shut down automatically if the motor is overheated. If the overheat protection trips, disconnect the power and wait for 10 minutes until the motor cools down.

## C. ELECTRICAL REQUIREMENTS

OBSERVE ALL GOVERNING CODES AND ORDINANCES

### WARNING

- \* Electrical grounding is required for this range hood.
- \* Check with a qualified electrician if you are not sure whether the range hood is properly grounded.
- \* Failure to follow electrical requirements may result in a fire.
- \* A fuse in the neutral or grounding circuit could result in electrical shock.
- \* If the hot/cold water pipe is interrupted by plastic nonmetallic gaskets or other materials, DO NOT use for grounding.
- \*\*\* DO NOT ground to a gas pipe.

**IMPORTANT:** It is customer's responsibility to contact a qualified electrical installer and assure that the electrical installation is adequate and complies with the National Electrical Code, or CSA standards and all local codes and ordinances.

1. Save installation instructions for electrical inspector's use.
2. If codes permit and a separate ground wire is used, it is recommended that a qualified electrician determine if the ground path is adequate.
3. DO NOT use an extension cord or adapter plug with this appliance.
4. The range hood must be connected with copper wire only.
5. RISK OF ELECTRICAL SHOCK - This range hood must be properly grounded.
6. The range hood should be connected directly to the junction (or circuit breaker) box through flexible, armoured or nonmetallic sheathed copper cable. Allow some slack in the cable so the appliance can be moved if servicing is ever necessary.
7. A UL listed or CSA approved conduit connector must be provided at each end of the power supply cable (at the range hood and at the junction box).
8. When making the electrical connection, cut a 3.2cm (1-1/4 in.) hole in the wall. A hole cut through wood must be sanded until smooth. A hole through metal must have a grommet.
9. When cutting or drilling into the wall or ceiling, do not damage electrical wiring and other hidden utilities.
10. Wire size must conform to the requirements of the National Electrical Code ANSI/NFPA 70 - latest edition\*, or CSA Standards C22.1-94, Canadian Electrical Code Part 1 and C22.2 No. 0-M91 - latest edition\*\* and all local codes and ordinances.

\* National Fire Protection Association Batterymarch Park Quincy, Massachusetts 02269

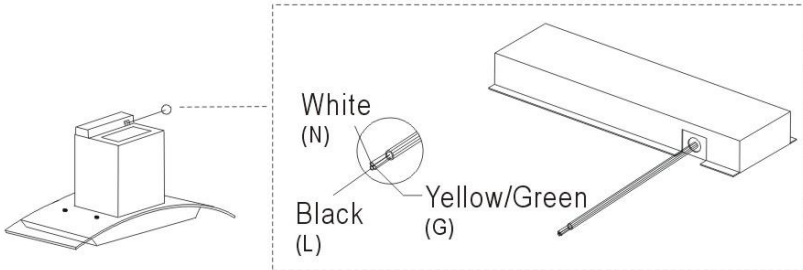
\*\* CSA International 8501 East Pleasant Valley Road Cleveland, Ohio 44131-5575

# WARNING



## ELECTRICAL SHOCK HAZARD

Do not perform service on an electrically live system. Disconnect the main electrical supply before servicing this device. Touching electrical connectors or other exposed electrical circuitry inside this range hood when they are energized could result in death, serious bodily injury, or property damage.



**BLACK (Live)**  
**WHITE (Neutral)**  
**GREEN/YELLOW/GREEN (Ground)**

## D. LIST OF MATERIALS

### (1) TOOLS FOR INSTALLATION:



level



Tape



Adjustable  
wrench



Powered  
screwdriver  
or drill



Marker or  
pencil



Measuring  
Tape



Utility Knife

Flat-blade  
screwdrivers



Philips  
screwdrivers

### NOTICE:

1. Remove the range hood from the carton packaging and place on a flat surface for assembly.
2. Check carefully to ensure there are no missing parts or mounting hardware.
3. **DO NOT** remove the plastic covering on the duct covers at this time as it protects the duct cover from scratches during installation.

## (2) SUPPLIED PARTS:

### Glass Island

$\Phi 3/16"$  x  $5/8"$  screw with flat washer 8 sets  
 Hood Body x 1  
 Supporting Frames 1 Set  
 Duct Cover 1 set  
 Screws box

	Installation Guide		$\Phi 5/32"$ x $1"$ Socket Head Cap Screw & Washer 2 Sets
	Duct Set		$\Phi 5/32"$ x $5/8"$ screws 6pcs
	Hexagonal Wood Screws 4 sets		$\Phi 3/16"$ x $5/8"$ Screws & flat washer 8 sets
	$\Phi 5/32"$ x $5/8"$ Screws & Washers 8 sets		

### Stainless Steel Wall

Hood Body x 1  
 Duct Cover 1 set  
 Screws box

	Installation Guide		$\Phi 5/32"$ x $5/16"$ Tapping Screws 4 pcs
	Upper Duct Cover's Fix Panel 1pc		$\Phi 5/32"$ x $5/8"$ screws 6pcs
	Duct Set		16" x 3" Toggle Bolts 4 sets
	Body Hook 2 pcs		$\Phi 3/16"$ x $5/8"$ Screw & Washer 4 sets

### Glass Wall

Hood Body x 1  
 Duct Cover 1 set  
 Screws box

	Installation Guide		$\Phi 5/32"$ x $5/16"$ Tapping Screws 4 pcs
	Upper Duct Cover's Fix Panel 1pc		$\Phi 5/32"$ x $5/8"$ screws 6pcs
	Duct Set		16" x 3" Toggle Bolts 4 sets
	Body Hook 2 pcs		$\Phi 3/16"$ x $5/8"$ Screw & Washer 4 sets

<h4>OPTIONAL (High Ceiling Duct Cover Kit)</h4> <p>Extends the range hood for higher ceiling</p>		<h4>OPTIONAL (Ductless Kit)</h4> <p>For non-vented installations only * It is highly recommended always be vented to the outside.</p>	
<p><u>Wall Mount Model:</u> Upper Duct Cover 1 pc</p>	<p><u>Island Type Model:</u> Duct Cover 1 set</p>	<p>Air diverter</p>	<p>Charcoal filter</p>
		<p>16" x 3" Toggle Bolts 2 sets (For wall mount model)</p>	<p><math>\Phi 5/32"</math> x <math>5/8"</math> screws 4pcs (For Island model)</p>
<p>**Different type of Kit (wall or island) contains different type of screws for installation</p>			

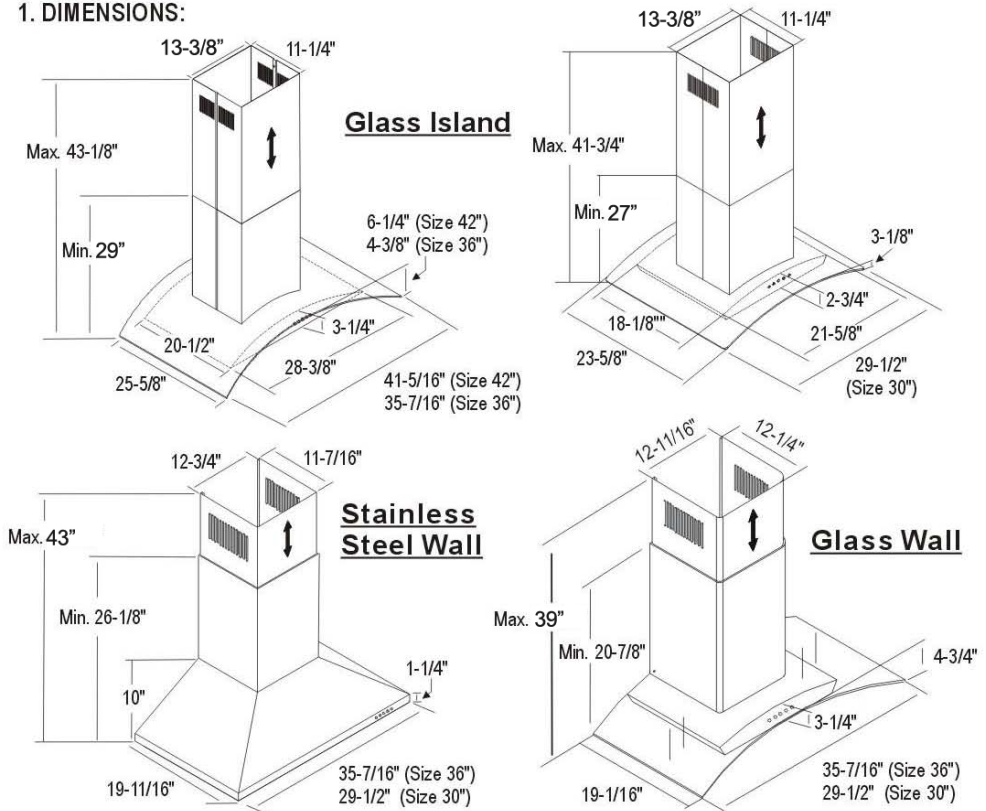


## E. PLANNING FOR INSTALLATION

### **! WARNING**

- \* Proper installation is your responsibility - Have a qualified technician install this range hood.
- \* Read the entire installation guide and user manual thoroughly, and understand instructions and warnings.
- \* All openings in ceiling and wall where range hood will be installed must be sealed.
- \* Range hood location should be away from strong draft areas (windows, doors & strong heating vents).
- \* **PERSONAL INJURY HAZARD**- Because of the weight and size of the range hood, two or more people are needed to move and safely install the range hood. Failure to properly lift range hood could result in damage to the product or personal injury.
- \* **SEVERE INJURY**- Rotation fan can cause severe injury. Stay clear of fan when motor is running.
- \* **SEVERE INJURY**- Range hood may have very sharp edges. Please wear protective gloves to remove any parts for installing, cleaning or servicing.

#### 1. DIMENSIONS:

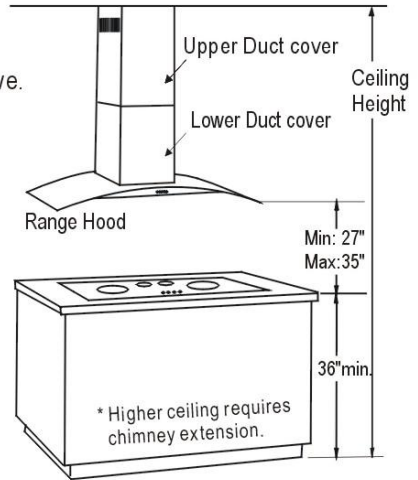


#### **IMPORTANT: Must measure following steps before installation.**

The duct covers are adjustable and designed for various ceiling heights. This chimneys can be adjusted for ceiling between 8ft (2.43m) and 10ft (3.05m) depending on the distance between the bottom of the hood and the cook top.

Before installation, measure all distances below to ensure the proper position of the range hood.

- A. Distance from the floor to the ceiling.
- B. Distance between the floor to the Counter top/stove.
- C. Distance between the counter top/stove and range hood. (Recommended 27" to 35".)
- D. Height of range hood and chimney.
- E. Height of the range hood installation.



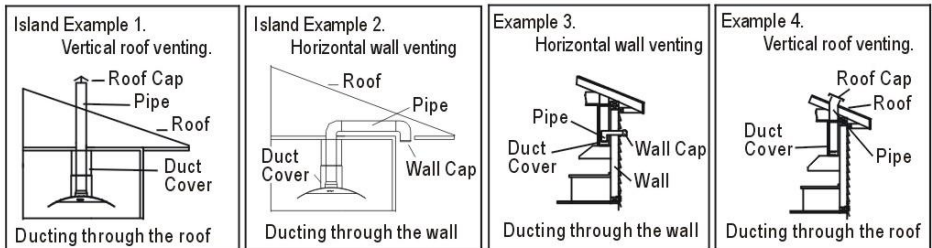
## 2. OUT DOOR VENTING METHODS

(for outdoor venting through the roof or wall only)

The hood is equipped with a transition "duct set" for exhausting air outdoors. Vent work can terminate either through the roof or wall. To vent through a wall a 90 degree elbow is used.

### IMPORTANT:

- Vent system must terminate outdoors (through roof or side wall)



- Do not terminate the vent system in an attic or any other enclosed area.
- Use only metal/flexible aluminum vents.
- Never use plastic vents.
- Always keep ducts clean to ensure proper air flow.
- NEVER exhaust air or terminate duct work between walls, crawl spaces, ceilings, attics or garages. All exhaust must be vented to the outdoors.
- Use caulking to seal exterior wall or roof opening around the cap.
- Do not use 10.2cm (4 in.) Laundry-type wall caps. - Always keep ducts clean to ensure proper air flow. - It is recommended that the range hood be vented vertically through the roof through 17.8cm (7 in.) round metal/aluminium vent work. The size of the vent should be uniform.
- Use no more than three 90 degree elbows. Do not install two elbows together.
- Make sure there are a minimum of 61cm (24 in.) of straight vent between the elbows if more than one elbow is used. The length of the vent system and number of elbows should be kept to a minimum for effective performance.
- The vent system must have a damper. If roof or wall cap has a damper, DO NOT use damper supplied with the range hood.
- Use duct tape to seal all joints in the vent system.
- Fasten all connections with sheet metal screws and tape all joints with certified Silver Tape or Duct Tape.

### Calculate the duct run length:

If ducted with the required minimum of 17.8cm (7 in.) round duct work, the duct run should not exceed 10.7m (35ft.). Calculate the length of the duct work by adding the equivalent feet as below for each piece of duct in the system.

If you must elbow right away, do it as far away from the hood's exhaust opening as possible.

45° Elbow	- 3ft - 91.4cm (36 in.)	9 Feet Straight Duct	- 9ft - 2.74m (108 in.)
90° Elbow	- 5ft - 1.52m (60 in.)	2-90° Elbow	- 10ft - 3.05m (120 in.)
90° Flat Elbow	- 12ft - 3.66m (144 in.)	Wall Cap	- 0ft - 0m (0 in.)
Wall Cap	- 0ft - 0m (0 in.)	Total System	- 19ft - 5.79m (288 in.)

## F. INSTALLATION INSTRUCTIONS

### WARNING

#### (PERSONAL INJURY HAZARD)

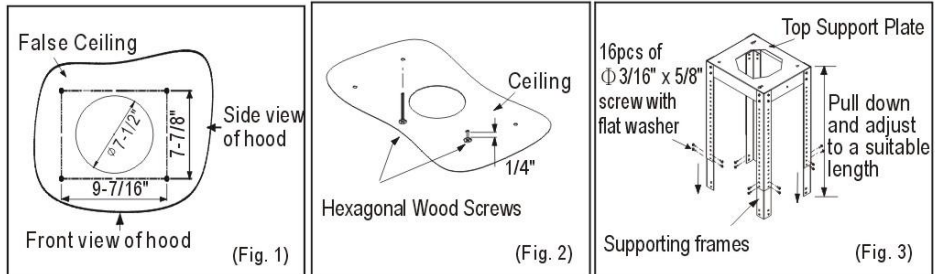
- \* Because of the weight and size of the range hood, three or more people are needed to move and safely install the range hood. Failure to properly lift range hood could result in damage to the product or personal injury.
- \* Hood may have very sharp edges. Please wear protective gloves if it is necessary to remove any parts for installation.

- \* Before making cuts, make sure there is proper clearance within the ceiling or wall for exhaust vent.
- \* Check your ceiling height and the hood height maximum before you select and install your hood. The hood installation height above the cook top is your preference. A lower hood ensures more effective capture of cooking odours, grease and smoke.
- \* The hood should be installed between 27 inches and 35 inches above the counter top.
- \* Mounting hooks are provided to secure the hood to most wall types. However, a qualified technician must verify suitability of the hooks, screws and drywall anchors with your wall type.
- \* Put a thick, protective covering over your counter top, cook top or range to protect from damage and dirt. Remove any hazardous objects around the area when installing.
- \* Due to the size and weight of this range hood, the support must be firmly attached to the wall ceiling. For plaster or sheet rock walls or ceiling, the support must be attached to the studs. If this is not possible, a support structure must be built behind the plaster or sheet rock. The manufacturer assumes no responsibility for injury or damage caused by improper installation.

## Island Model Ducted Installation Method (Venting to the Outside)

**WARNING : CHECK YOUR CEILING COMPOSITION TO USE APPROPRIATE ANCHORS.**

1. Cut out a circle of 7-1/2" diameter on the ceiling for duct work. Drill four holes on the false ceiling (figure 1). Fasten two hexagonal wood screws to two of these holes opposite from each other and reserve approximately 1/4" from the top support plate as shown in (figure 2).



2. Screw down the exist 8 sets of screws on the supporting frames then pull down the frames to adjust it to the length required then lock the support frames by using sixteen  $\phi 3/16" \times 5/8"$  screws with flat washer (fig. 3).
3. Align the holes on top support plate with two screws on the ceiling. Push upward (1) and slide forward to (2) so the top supporting plate locks onto place (see fig. 4). Fasten existing two hexagonal wood screws, and insert two more on the last two holes then fasten the screws tightly. **Make sure the supporting frame fixture is secure before releasing!**
4. Remove the plastic covering on the duct covers at this time. Must be very careful for the sharp edges on the duct covers. Must wear protective gloves while install the duct cover to prevent personal injury and prevents scratch and hand print on the covers during installation.
5. Slide in both duct covers and screw the upper duct cover tightly by 2 sets of  $\phi 5/32" \times 1"$  socket head cap screws and washers to the top support plate. Pay extra attention to sharp edges on the duct covers and minimize cover's movements to avoid scratches on the covers. You may use a screw driver to prevent them from sliding down as illustrated in figure 6.

**CAUTION: PAY EXTRA ATTENTION TO SHARP EDGES ON THE DUST COVER AND MINIMIZE DUST COVER MOVEMENTS TO AVOID SCRATCHES ON THE COVERS!**

6. Install the duct set using six  $\phi 5/32" \times 5/8"$  screw (See figure 5).
7. Screw down the socket head cap screws and black plastic circle protector on the range hood then keep the items carefully and do not lost it. (The black plastic circle protector is to go in between the screw and glass later on). There will be total of 4 sets of  $\phi 5/32" \times 1"$  socket head cap screws with black plastic circle protector. Please see figure 7.
8. Take out the glass canopy from the packaging carefully and check any damage on the glass. Face the curve side downwards then place the glass canopy onto the body of hood carefully.

9. Make sure the holes on the glass is align to the holes on the hood body. Then install the 4 sets of  $\Phi 5/32" \times 1"$  socket head cap screws back (see figure 8). Make sure the black plastic circle protector on the glass stay between the screws and the glass.

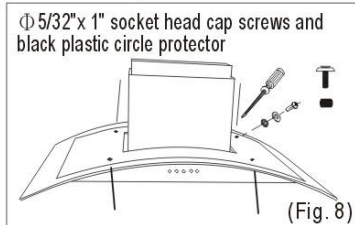
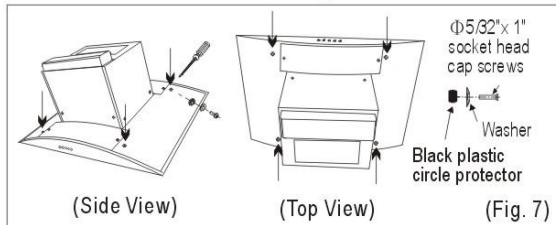
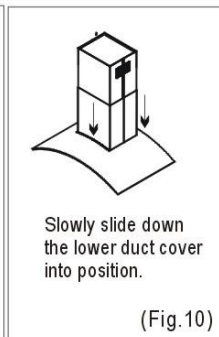
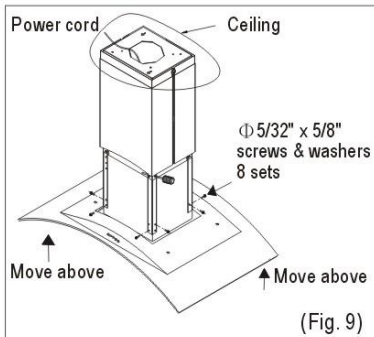
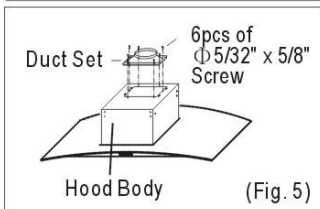
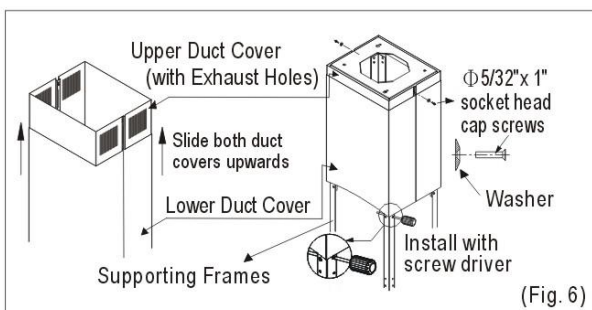
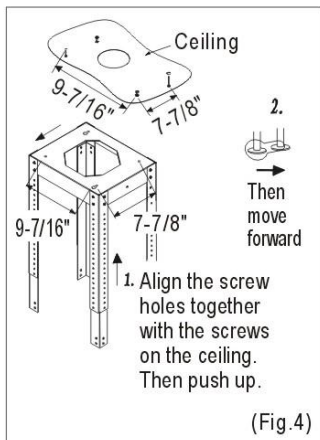
10. Install the hood body onto the supporting frame and secure it with eight sets of  $\Phi 5/32" \times 5/8"$  screw and washers (figure 9).

**WARNING: EXCESSIVE WEIGHT- THREE OR MORE MANPOWER ARE NECESSARY TO THIS STEP. MAKE SURE THE RANGE HOOD IS SECURE BEFORE RELEASING.**

11. Install the aluminum tube on to the duct set and connect the duct to the exterior exhaust system after install the hood body onto the supporting frame. Make sure all joints are secure and air tight. Use certified Silver Tape or Duct Tape to make all joints secure and air tight.

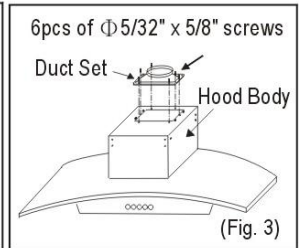
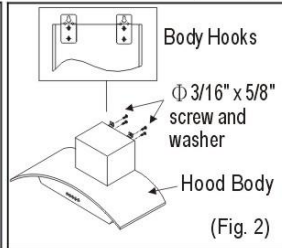
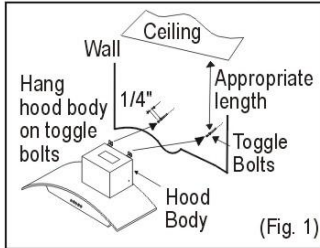
12. Take down the screw driver and slowly slide down the lower duct cover into position (figure 10).

13. Then complete installation.

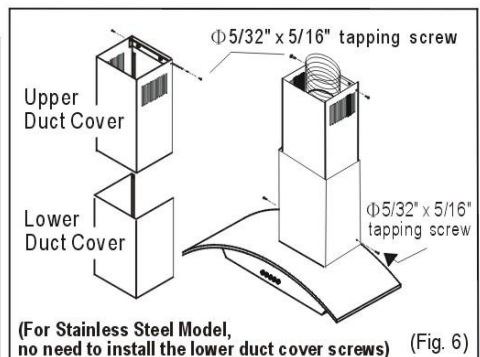
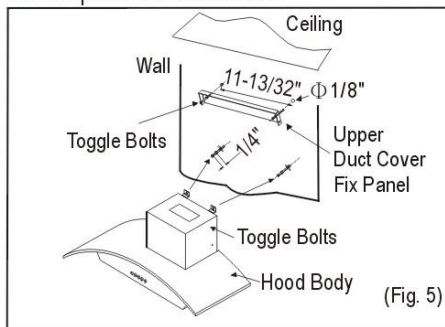


## Wall Mount Model Ducted Installation Method (Venting to the Outside)

1. Find an optimal location to install the range hood. Mark the leveling points of the two body hooks (fig. 1) on the wall and drill two holes. Insert two toggle bolts and reserve approximately 1/4 inches for the body hooks. Be sure to use appropriate anchors for your wall.
2. Use four sets of  $\Phi 3/16"$  x 5/8" screws with washers to install the body hooks onto the hood (see figure.2).
3. Install the duct set by using six  $\Phi 5/32"$  x 5/8" screws (see fig.3).



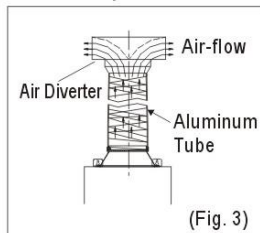
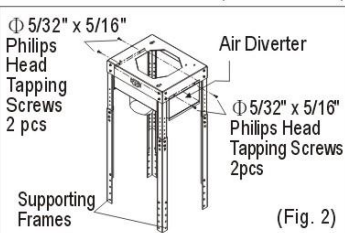
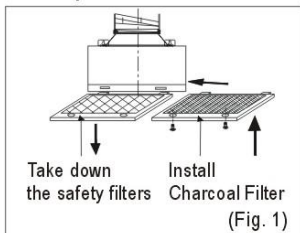
4. Locate the position of the upper duct cover's fix panel. It must be placed directly above and align with the two body hooks. Drill two holes and insert two toggle bolts. Secure the upper duct cover's support panel with two toggle bolts and screw tightly. Be sure to use appropriate anchors for your wall (fig. 4).
5. Next, hang the hood body on the wall and tighten the screws as shown in figure 4.  
**CAUTION: MAKE SURE THE RANGE HOOD IS SECURE BEFORE RELEASING!**
6. Connect the duct to the exterior exhaust system. Make sure all joints are secure and airtight. Use duct tape to make all joints secure and airtight.
7. Remove the plastic covering on the duct covers. Be very careful of sharp edges on the duct covers. Must wear protective gloves while installing duct covers to prevent personal injury and prevent scratches on cover during installation.
8. Place the duct covers on the floor, then lower the upper duct cover into the lower duct covers. You should now have both duct covers together as one unit (figure 5).  
**CAUTION: Minimize movement of the duct cover to avoid scratches.**
9. Place the duct covers onto the hood body, ensuring it fits into the gap on the top of hood body.
10. Slide the upper duct cover upward and secure to the upper duct cover fix panel by using two  $\Phi 5/32"$  x 5/16" tapping screws (fig. 6). Fix the lower duct cover with screws as well.
11. Complete the installation.



**Duct less Kit (Charcoal Filter):** Ductless conversion is intended for applications where an exhaust duct work is not possible to be installed. When converted, the hood functions as a purifying hood rather than an exhaust hood. Fumes and exhaust from cooking is drawn and filtered by a set of charcoal filters. The air is then purified and re-circulated back within the home.

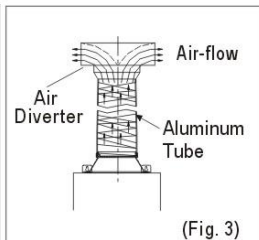
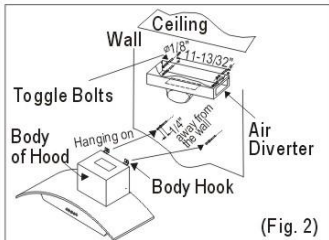
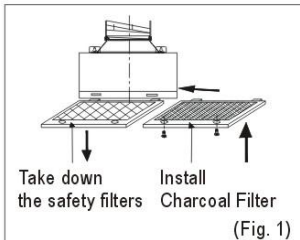
**ISLAND MODEL DUCTLESS INSTALLATION METHOD (NOT vented to the outside)**

- a. Took down the aluminum filters and screw down the two screws on the safety filters. Replace the safety filters by charcoal filter then screw the two screws back to set the charcoal filter onto the hood body (figure 1).
- b. Screw the air diverter onto the supporting frames by using 4 of  $\Phi 5/32 \times 5/16$ " screws (figure 2).
- c. Install the aluminum tube onto the body of the hood and the Air Diverter (figure 3). Make sure all joints are secure and air tight. Use certified Silver Tape or Duct Tape to make all joints secure.

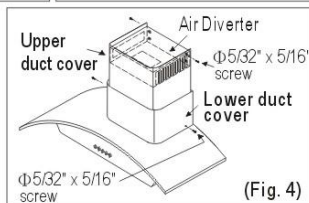


**WALL MOUNT MODEL DUCTLESS INSTALLATION METHOD (NOT vented to the outside)**

- a. Took down the aluminum filters and screw down the two screws on the safety filters. Replace the safety filters by charcoal filter then screw the two screws back to set the charcoal filter onto the hood body (figure 1).
- b. Find an optimal location for the AIR DIVERTER. It must be replace the original upper duct cover's fix panel and placed directly above and align with the two body hooks. Drill two more holes insert extra two toggle bolts and secure the air diverter tightly (total 4 toggle bolts). Be sure to use appropriate anchors for your wall (figure 2).
- c. Install the aluminum tube onto the body of the hood and the Air Diverter (figure 3). Make sure all joints are secure and air tight. Use certified Silver Tape or Duct Tape to make all joints secure and air tight.

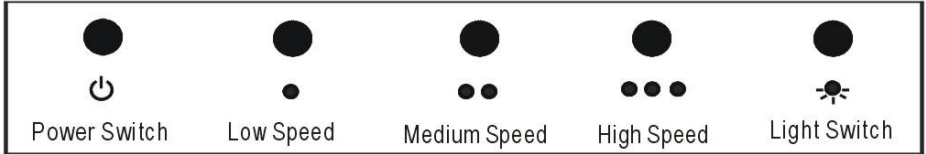


- d. Place upper duct cover and lower duct cover over the body of the hood as shown in figure 4. Upper duct cover is the one contains holes on both side. Slide up the upper duct cover towards the air diverter. Use two of  $\Phi 5/32 \times 5/16$ " tapping screws to secure the upper and lower duct cover onto the panel and body of hood.



- e. Then complete the installation.

## G. RANGE HOOD OPERATION



### FAN OPERATION:

Turn On: Press the speed control (Low Speed, Medium Speed, High Speed) switch to select the desired level of power. Once button is pressed, the previous speed mode will be cancel.

Turn Off: Press the Power Switch to turn off the power.

### LIGHT OPERATION: CAUTION: The ON/OFF button will not turn on or off the lights.

Turn On: Press the LIGHT button once to turn on the lights.

Turn Off: Press again to turn the lights off.

## H. MAINTENANCE

\* Prior to any maintenance operation ensure that the range hood is disconnected from the power supply.

### Cleaning Exterior Surfaces:

1. The range hood should be cleaned regularly internally and externally.
2. Clean periodically with hot soapy water and clean cotton cloth. DO NOT use corrosive or abrasive detergent (e.g. Comet Power Scrub, EASY-OFF oven cleaner), or steel wool/scoring pads, which will scratch and damage the stainless steel surface.
3. For heavier dirt use a liquid degreaser.
4. After cleaning, you may use non-abrasive stainless steel polish/cleaner to polish and buff out the stainless luster and grain. Always scrub lightly, with a clean cotton cloth, and go with the grain.

### Cleaning Aluminium Grease Filter Grill:

1. The metal filters fitted by the factory are intended to filter out residue and grease from cooking. It need not be replaced on a regular basis but must be kept clean.
2. This must be cleaned once a month using non-abrasive detergents, either by hand or in the dish-washer, which must be set at a low temperature on a short cycle.
3. When washed in a dish washer, the grease filter may discolour slightly, but does not affect its filtering ability.
4. Dry filters and re-install before using hood.

**WARNING:** Failure to carry out the basic standards of cleaning of the range hood and replacement of the filters may cause fire risks. We therefore recommend that you follow these instructions.

### Replacing Filters:

1. Should filters wear out due to age or prolonged use, replace with an aluminum grease filter (with stainless steel clips).
2. Note: Also replace a damaged filter that has punctures or a bent or broken frame.



# WARNING

## BURN HAZARD

Light bulbs can become extremely hot when turned on. DO NOT touch bulb until switched off and cooled. Touching hot bulbs could cause serious burns.

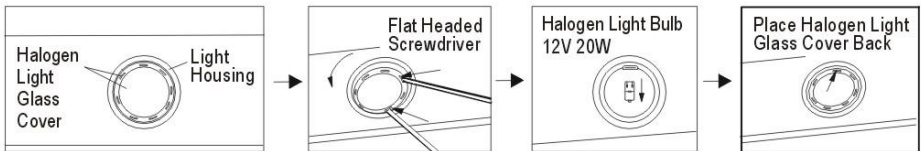
## SEVERE INJURY

Rotating blower fan can cause severe injury. Stay clear of fan when motor is running.

### Replacing the light bulb:

WARNING: Disconnect electrical sources and be sure lights are cooled down.

- \* Should the light bulb burn out due to age or prolonged use, replace with MAX 20W, 12V, JC-Type Halogen bulb.
- \* If new lights do not operate, make sure the light bulb is inserted correctly.
  1. Turn off the range hood.
  2. Make sure the lights are cool to touch. With a flat head tool, carefully turn the inner ring counter-clockwise to pop out the protective covering of the light.
  3. Gently pull out the defective bulb and discard.
  4. Install a new halogen light bulb and reverse the steps.



## I. SPECIFICATIONS

\* Prior to any maintenance operation ensure that the range hood is disconnected from the power supply.

Power Rating	120V/60Hz (USA & Canada Standard)
General Input Power	200W (Wall Model) / 240W (Island Model)
Motor input power	160W
Motor Revolution	1400 R.P.M, ( $\pm 10\%$ )
Air Pressure	560 Pa
Noise Level (dB)	Approximately 55 dB to 59 dB
Venting Size	7 inch Round
Motor Type	Single motor
Fan Type	Sirocco
Ill umination	Max. 20W / 12V Type JC <small>2 x 20W for Wall Model 4 x 20W for Island Model</small>

## J. TROUBLE SHOOTING

### **WARNING ELECTRICAL SHOCK HAZARD**



Do not perform service on an electrically live system. Disconnect the main electrical supply before servicing this device. Touching electrical connectors or other exposed electrical circuitry inside this range hood when they are energized could result in death, serious bodily injury, or property damage.

#### **1. If the range hood does not operate after installation:**

- Check if all power has been turned back on and all electrical wiring is properly connected.
- Check that the power connection for the unit is properly connected.
- Make sure the wiring between the switch board and control board are connected properly.

#### **2. The range hood vibrates when the blower is on:**

- The range hood might not have been secured properly to the wall.
- Check if the motor is secured in place. If not, then tighten the motor in place.
- Check if there is a damaged blower wheel. If so change the blower wheel.

#### **3. The blowers seems weak:**

- Check that the duct size used is at least 17.8cm (7 in). Range hood WILL NOT function efficiently with insufficient duct size.
- Check if duct is clogged or if damper unit is not opening properly. A tight mesh on a side wall cap unit might also restrict air flow.

#### **4. The lights work but the blower is not spinning, is stuck or is rattling:**

- The motor is defective, possibly seized - change the motor.
- The blower might be jammed or scraping the bottom.
- The thermal protection system detects if the motor is too hot or operate and shuts the motor down. In this case the motor will function properly after the thermal protection system cools down (approx. 20 min.).

#### **5. The hood is not venting properly:**

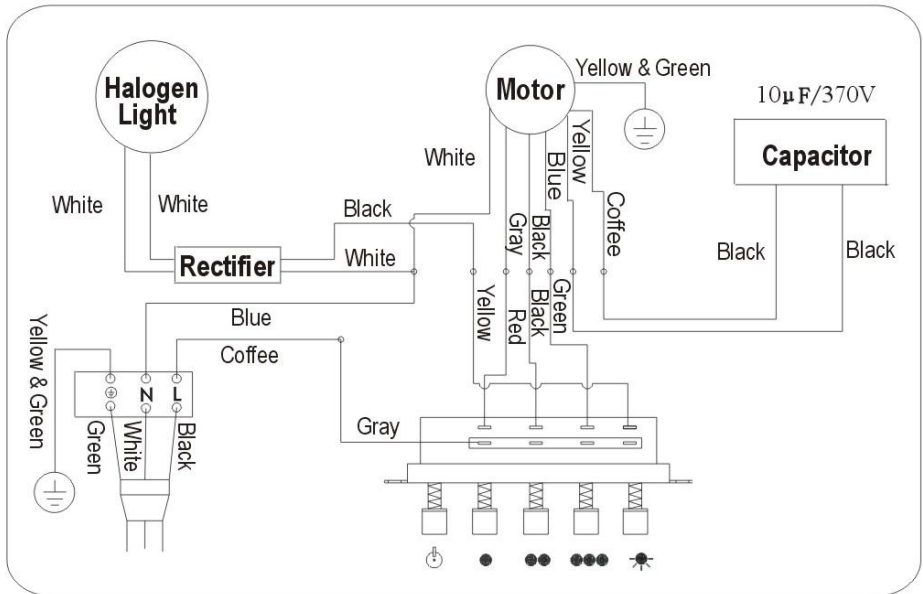
- Make sure the distance between the cook top and the bottom of the hood is between 27 inches and 35 inches.
- Make sure the power is on high speed for heavy cooking.
- Reduce the number of elbows and length of duct works. Check if all joints are properly connected, sealed and taped.
- Wind from opened windows or doors in the surrounding area are affecting the ventilation of the hood. Close all windows and doors to eliminate the outside air flow.
- Check if the direction of duct opening is against the wind. If so, adjust the direction of the duct opening.
- Check if the wrong size of ducts are being used.

#### **6. The light does not work:**

- Check to see if light bulb is loose. If so, tighten.
- Remove problem bulb and insert one you know is working. If the properly functioning light does not come on, the problem may be the light assembly. Service or replace the light assembly.

**NOTE: For all other inquiries, please contact us.**

## K. WIRING DIAGRAM

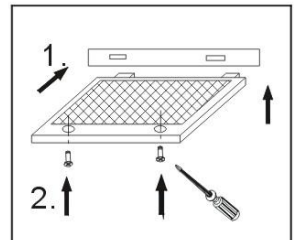
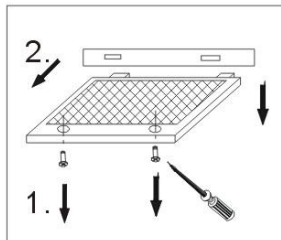
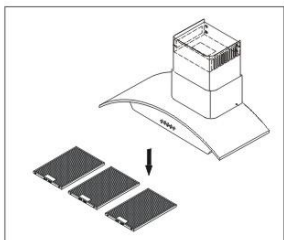


## L. REPLACEMENT OF CHARCOAL FILTER

**ALWAYS SWITCH OFF THE HOOD BEFORE ANY REPLACEMENT.**

- (1) Remove aluminum filters on the range hood.
- (2) Remove the original charcoal filter by unscrewing down the two screws.
- (3) Replace the old charcoal filter by new charcoal filter. Then position the charcoal filter and align the screw holes, reinstall and fasten two screws.
- (4) Reinstall the aluminum filters back to the range hood.

**NOTE : CHARCOAL FILTER IS CONSUMER PRODUCT MUST BE REPLACED AFTER 120 HOURS OF USE OR EVERY 2-3 MONTHS.**



# WINDSTER™

---

## Limited Warranty

Windster Hoods Inc. warrants this product against defects in material or workmanship as follows:

- 1) **Labor:** For a period of one (1) year from the date of purchase, if this product is determined to be defective, Windster will repair or replace the product, at its option, at no charge. After the warranty period, you must pay for all labor charges. During the "labor" warranty period there will be no charge for labor.
- 2) **Parts:** In addition, Windster will supply, at no charge, new or rebuilt replacements in exchange for defective parts for a period of two (2) years. After the warranty period, you must pay for all parts costs. During the "Parts" warranty period, there will be no charge for parts

You must carry-in or mail-in your product during the warranty period. This warranty only applies to products purchased and serviced in the United States or Canada.

### What Is Not Covered By These Warranties:

- 1) Conditions and damages resulting from any of the following:
  - Improper installation, delivery, or maintenance.
  - Any repair, modification, alteration or adjustment not authorized by the manufacturer or an authorized service dealers.
  - Misuse, abuse, accidents, or unreasonable use.
  - Incorrect electric current, voltage or supply.
  - Improper setting of any control.
  - Improper chemical cleaning.
- 2) Light Bulbs
- 3) Products purchased for commercial or industrial use (such as in a hotel, office, restaurant, or other business)
- 4) Damage due to earthquake, flood, storm, etc.

### Defective Products:

All products will be inspected, tested, and carefully packed by the manufacturer before shipping to customers. Products that are damaged during transit can only be exchanged for the same product, under the condition that the customer must get a RMA (Return Merchandise Authorization) from Windster. When products are received defective, you must notify us within the 3 business days of receiving the package. Replacement products are only shipped when the RMA is issued. **NO EXCEPTIONS.**

### Return Policy

Windster offers only the best and highest quality products. If you are not satisfied with your purchase, please contact us within 3 business days of product arrival to obtain a Return Merchandise Authorization (RMA). Returns sent without a RMA will not be accepted. There will be a 25% re-stocking fee for every returned items. Shipping fee will also be deducted from the original purchase price. When returning a package, please include a copy of your purchase receipt. Use the original shipping box and packing materials and completely remove or cover the original shipping label. Make sure that products are in brand new condition, uninstalled, un-drilled, and contain everything that came with the package as when you first received it. If any parts or manuals are missing, we have the right not to accept the return.

We suggest that you use a traceable and reputable carrier of your choice to ship your return. Your credit or refund will be processed within 10-14 business days from the date we receive your return.