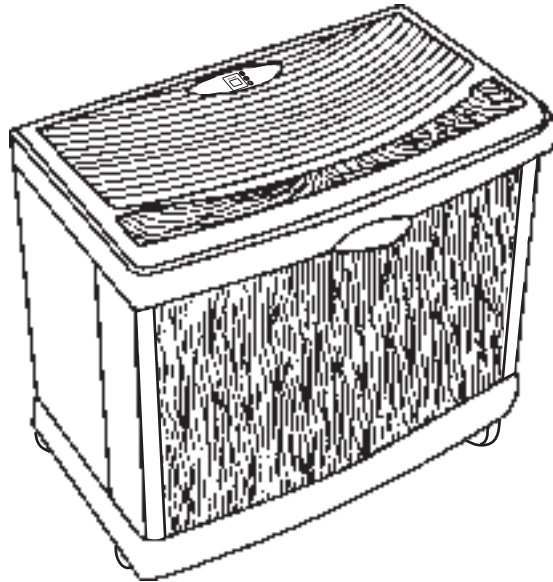


CAUTION: READ ALL INSTRUCTIONS CAREFULLY BEFORE INSTALLATION.
SAVE THIS OWNER'S MANUAL FOR FUTURE REFERENCE.



Model No.
HD14070

MoistAIR[®] MD



HD14070 Evaporative Console Humidifier Owner's Manual

GENERAL SAFETY INSTRUCTIONS

Safety Signal Words

DANGER: means if the safety information is not followed someone will be seriously injured or killed.

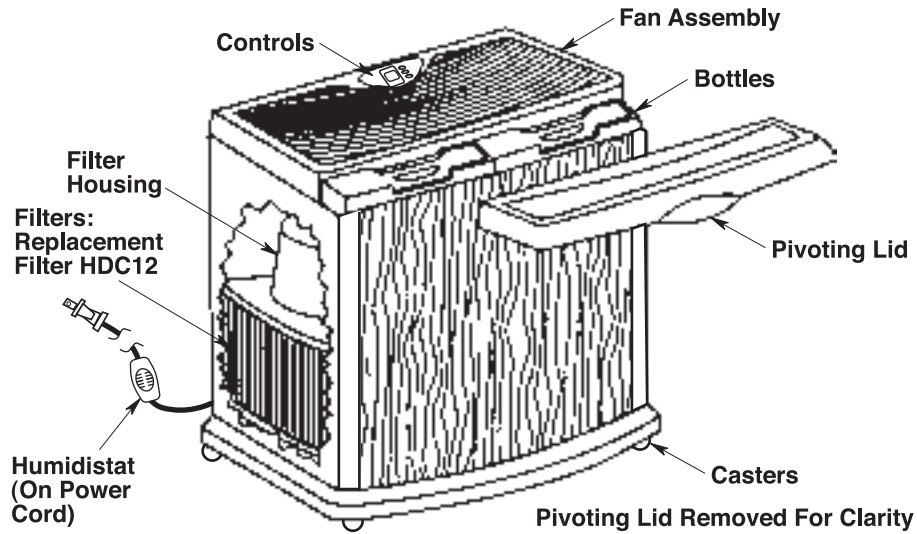
WARNING: means if the safety information is not followed someone could be seriously injured or killed.

CAUTION: means if the safety information is not followed someone may be injured.

1. To reduce the risk of fire or shock hazard, plug humidifier directly into a 120V, A.C. electrical outlet. Do not use extension cords.
2. Keep the electric cord out of traffic areas. To reduce the risk of fire hazard, never put the electric cord under rugs, near heat registers, radiators, stoves or heaters.
3. Always unplug the humidifier before moving it, removing the fan assembly section, before cleaning, or whenever the humidifier is not in service.
4. Keep the humidifier clean.
5. Do not put foreign objects inside the humidifier.
6. Do not allow to be used as a toy. Close attention is necessary when used by or near children.
7. Never use your humidifier while any part is missing or damaged in any manner.
8. To reduce the risk of electrical hazard or damage to humidifier, do not tilt, jolt or tip humidifier while unit is running.
9. To reduce the risk of damage to humidifier, unplug when not in use.
10. To reduce the risk of accidental electrical shock, do not touch the cord or controls with wet hands.
11. To reduce the risk of fire, do not use near an open flame such as a candle or other flame source.
12. Note the warning label shown below.

WARNING: To reduce risk of fire, electric shock, or injury always unplug before servicing or cleaning.

Know Your Humidifier



Description	HD14070
* Output/24 hrs	14 Gallons/53 Litres
Capacity of Bottle	2-3/8 Gallons/9 Litres
* Sq. Ft. Coverage	2900
Fan Speeds	3
Auto Fan Speed	Yes
Replacement Filter	Set of 4 (HDC12)
Refill Indicator	Yes
Auto Shut Off	Yes
Auto Humidistat	Yes
Controls	Electronic (Push Button)
Control Lock	Yes
Casters	Yes (4)
ETL Listed	Yes
Volts	120 A.C.
Hertz	60
Amps	2.88
Watts	165

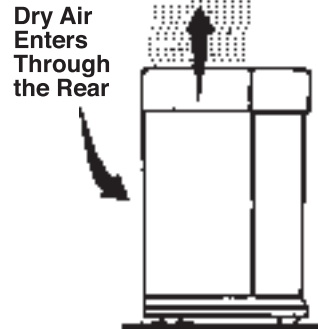
* Based on an area with average insulation and an 8' ceiling height ANSI/AHAM HU-1-1997. SEC. 8.1, results may vary.

How Your Humidifier Works

Your new MoistAIR humidifier is designed to satisfy home humidity requirements through the principle of evaporation of water into the air. After water is added to the bottle, the filters begin to soak up the water and become totally saturated in approximately 30 minutes. Air is drawn in from the rear of the humidifier and through the filters by means of circulation fans. As air passes through the filters, moisture is absorbed into the air and then released in the form of vapor. No water droplets will enter the home. All evaporation into the air takes place in the humidifier, which means that the residue left by evaporating water is not passed into the home, but remains in the filter.

CAUTION: Use only EPA Registered Bacteriostat. Under no circumstances should you use water treatment products designed for Roto belt or Ultrasonic humidifiers.

Humidified Air is Then Released Through the Top



CAUTION: To reduce the risk of injury, fire or damage to humidifier, use only cleaners specifically recommended for humidifiers. Never use flammable, combustible or poisonous materials to clean your humidifier. To reduce the risk of scalds and damage to humidifier, never put hot water in humidifier.

Assembly

Your new MoistAIR humidifier is completely assembled for you to use. Remove the bag pack containing two plastic caster pads from top of humidifier and retain for future use if required. See the following Step 1 for instructions.

Remove the packaging material from inside your humidifier and follow the instructions of this operator's manual for proper usage. The packaging material is located under the fan assembly. Remove the packaging material and discard.

Location Instructions

WARNING: For your own safety, do not use humidifier if any parts are damaged or missing.

Step 1:

Place humidifier on a flat level surface in an area of your house where humidity is needed most, or in an area which would likely result in moist air being circulated throughout the house, such as near a cold air return.

Placing the unit level is very important if the humidifier is located on carpeting.

NOTE: The humidifier contains water bottles. The weight of the bottles in the front of the cabinet may cause the front casters to sink deeper into the carpet. If this happens, the water level will be higher towards the front of the humidifier, and lower towards the back. The water level float (located at the rear of the cabinet) may not sense the water so the flashing "F" will be displayed and the unit will not energize. If this happens, the unit will need to be leveled in order for the humidifier to be energized. To level the humidifier when located on carpet, place the included caster pads under the front two casters of the humidifier only.

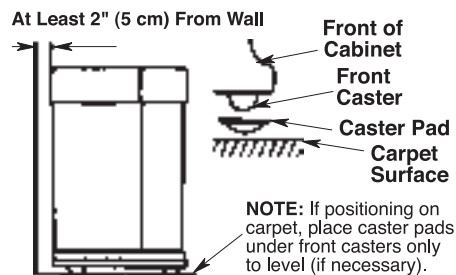
NOTE: Due to release of cool, moist air from humidifier, it is best to direct air away from home thermostat and hot air registers. It is best to position humidifier next to an inside wall. Hot air registers and cold air from outside walls can affect the efficiencies of the controls. Unit should not be placed where warm air from a hot air register blows directly on unit.

Moist air (humidity) produced will disperse into the whole house, but area closest to the unit will have the highest humidity. If the unit is positioned close to a window, condensation may form on the window pane. If this is not appropriate the unit should be repositioned in another location.

Step 2:

The humidifier should be positioned with the back (cord exit side), at least 5 centimeters away from the wall.

Air needs to enter through the louvers in the rear panel in order for the humidifier to operate at peak efficiency.



Operating Tips for Best Performance

1. Position the humidifier at least 2 inches (5 cm) from any wall and away from any heat registers.
2. Do not restrict airflow from entering or exiting the humidifier.
3. Use only EPA registered bacteriostat to retard bacteria growth that may cause odors and may be harmful to your health.
4. Perform regular cleaning as instructed in "Cleaning and Maintenance" section of this manual.
5. Replace the evaporative wicking filters at least once per humidification season or more depending on water conditions in your area.

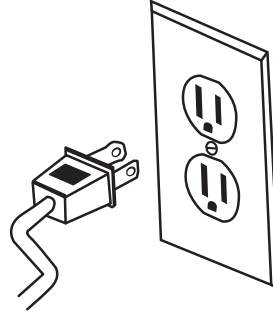
Electrical Hook-Up

Locate nearest 120V A.C. wall socket in the location desired, preferably on inside wall. With the humidifier in the desired location, route the electrical cord safely so no one will trip or upset the humidifier. Plug in the electrical cord.

WARNING: To reduce the risk of fire or shock hazard, humidifier should be plugged into a 120V A.C. outlet. Do not use extension cords.

To reduce the risk of electrical shock, this humidifier has a polarized plug (one blade is wider than the other). This plug will fit in a polarized outlet only one way.

If the plug does not fit fully in the outlet, reverse plug. If it still does not fit, contact a qualified electrician to install the proper outlet. Do not change the plug in any way.



Water Fill

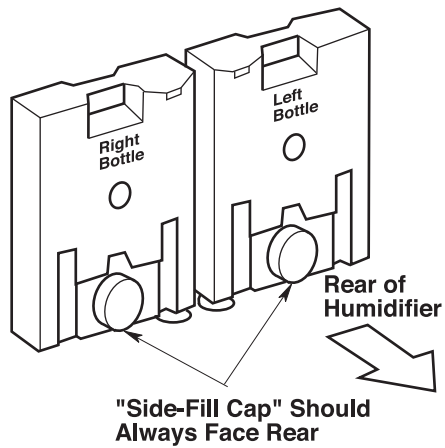
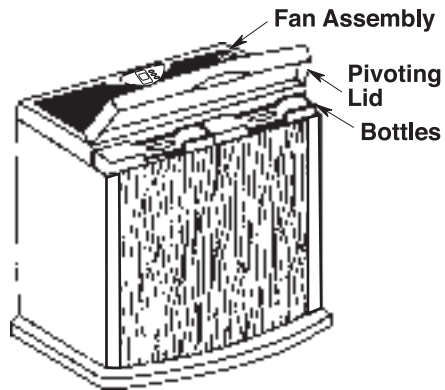
WARNING: To reduce the risk of shock, always unplug humidifier before cleaning or servicing.

WARNING: To reduce the risk of fire or shock hazard, do not pour or spill water into control or motor area. If controls get wet, let them dry completely and have unit checked by authorized service personnel before plugging in.

This humidifier is designed for use with the two water bottles that are located under the pivoting lid.

Open the pivoting lid of the humidifier. Remove the water bottles by lifting them straight up and out of the cabinet.

Notice the water bottles are designed as right and left hand units. Position them in the correct location so the humidifier can function properly. The water bottles should rest in the front of the cabinet. Each "Side-Fill Cap" must be facing the rear of the unit.



Water Fill (continued)

Each water bottle is designed with a "Side-Fill Cap" that is easily removable. Remove the "Side-Fill Cap" on the side of the water bottle by twisting counterclockwise.

Place the opening of the water bottle under a water faucet (the bottle should fit under a four-inch clearance faucet). Fill with recommended mixture of cold water and Bacteriostat (if necessary) only. Solid debris could make the valve leak.

Install the "Side-Fill Cap" by twisting clockwise. Hand tighten only.

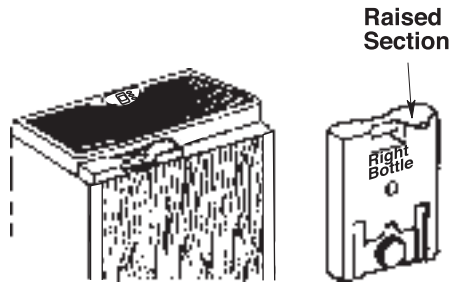
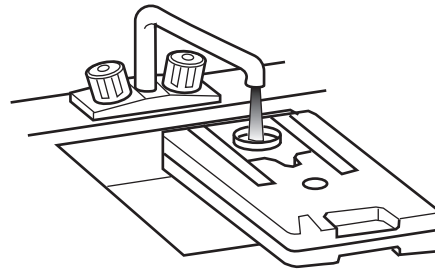
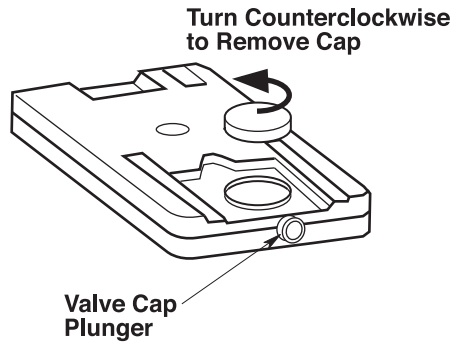
Check for possible leaks by performing the following:

1. Grasp bottle handle and hold the bottle upright over a sink.
2. Press up on the valve cap plunger for about one second to let out a little water.
3. Release the plunger.
4. Listen for air bubbles. Look for leaks around the "Side-Fill Cap".
5. If you hear air bubbles or see leaks, retighten the "Side-Fill Cap" and repeat Steps 1-4.

Wipe off excess water from the bottle.

Position the water bottle back into the unit by grasping the water bottle handle and lower it into the cabinet until the bottle sits on pads at bottom of cabinet. The "Side-Fill Cap" must be facing the rear of the cabinet. When positioned properly, the plunger will open and water will flow into the cabinet. The water level will automatically remain at approximately 1/2" until the bottles are empty.

Allow the filter to saturate for 30 minutes before operation.



Operating the Controls

Where you set your desired humidity levels depends on your personal comfort level, outside temperature and inside temperature. A starting set point of 30% - 40% ROOM humidity is recommended but there may be conditions that require a different setting.

IMPORTANT: Water damage may result if condensation starts to form on windows or walls. Humidity SET point should be lowered until condensation no longer forms. We recommend room humidity levels do not exceed 50%.

When Outdoor Temperature is:		Recommended Indoor Relative Humidity is:
-10° F	-24° C	20%
2° F	-18° C	25%
10° F	-12° C	30%
20° F*	-6° C*	35%

* and above

To Operate the Controls

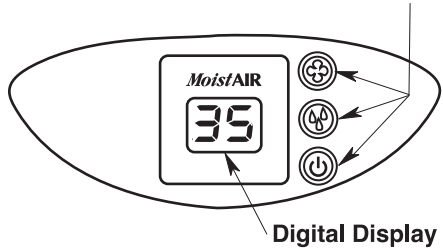
Digital Display

Press the power/speed button once to turn the unit on* (⏻). Initially there is a slight delay while the electronics calibrate. Two bars (- -) appear during this time. Once calibration is complete a ROOM humidity reading between 20% - 95% will be displayed. A flashing 20 display indicates that the room humidity is less than 20%.

NOTE: The default settings at initial startup are (Ultra Quiet) F1 fan speed and 65% SET humidity. After desired settings are selected by the user, they remain as long as the unit remains plugged in and there is no power interruption. If the unit is unplugged the original default settings are employed.

* Humidifier fan should operate at initial start up. If it does not, refer to, "Fan not operating (digital display is illuminated)" in the "Trouble Shooting" section on page 14.

Function Buttons

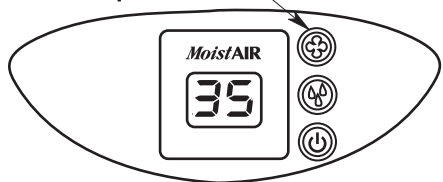


Speed Button

This humidifier is equipped with a 3-speed fan control. Initially depressing the speed button will display the current speed setting. Each push of the speed button advances the mode through the settings of (HIGH) F3, (MEDIUM) F2, and (Ultra Quiet) F1.

The selected setting is displayed on the digital readout. The higher the setting, the faster water is evaporated and released into the air. F1 (Ultra Quiet) is the quietest setting and is provided for conditions that do not require a rapid evaporation rate.

Speed Button

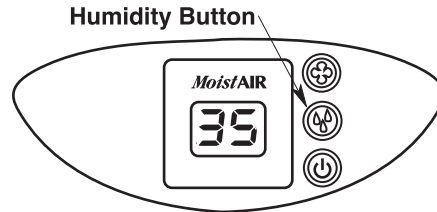


Humidity Control

This button allows you to adjust the humidity to suit your needs. This humidifier will automatically cycle on and off as required to maintain the selected setting. The readout displays both actual (ROOM) and desired (SET) humidity percentage (%) settings when humidity control button is pressed. The ROOM readout has a range of 20% to 95%. If the room humidity level is equal to or less than 20% the display will show a flashing 20.

Operating the Controls (continued)

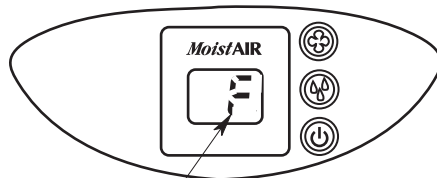
The SET readout has a range of 25% to 65% and is adjusted in increments of 5%. Initially depressing the humidity button will display the current humidity setting. Each additional press of the button increases the setting by 5%. A SET point of 65% operates the humidifier continuously regardless of the ROOM reading. The humidistat that senses the readings is located on the power cord. Insure that this humidistat is free from obstruction.



Using Your Humidifier

Refill Display Function

For maximum run time both bottles should be filled. When both bottles are empty the display alternates the room humidity reading and "F" (FILL), informing additional water is required.



Refill Display

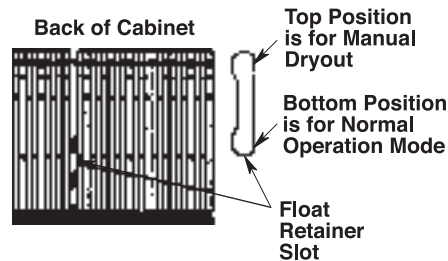
Manual Dry Out

At the end of the humidification season or if you do not plan to run the humidifier for one week or more, a manual dry out mechanism is provided to completely dry out the humidifier cabinet.

To do this, simply slide the float retainer located at the back of the humidifier cabinet to the top position of the slot it is located in. This will hold the float in an upward position and the fan will run until you turn the power off.

NOTE: Be sure to position float retainer to the normal operating mode (lowest position in slot) for normal humidifier operation.

Below is a diagram of the slot the float retainer is located in, at the back of the cabinet.



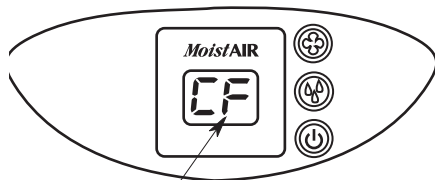
Using Your Humidifier (continued)

Check Filter Indicator

The ability of any humidifier to efficiently supply humidity output relies heavily on the condition of the filter. As the filter loads with impurities it gradually loses its wicking capability. When this happens, moisture output is reduced and the humidifier has to work longer to satisfy the selected setting. This humidifier has a check filter reminder timed to appear after 720 hours of motor operation. When the display shows an alternating "CF" and "room humidity" setting at 5 second intervals it is a reminder to check the filter condition.

NOTE: Some areas have high water mineral content causing the need for more frequent filter changes.

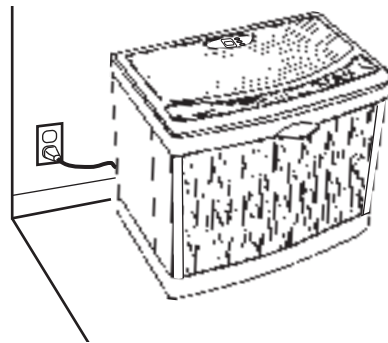
Refer to "Replacement and Care of Filter" on page 11. If a build-up of deposits or severe discoloration is evident replace the filter to restore maximum efficiency.



Check Filter Display

Humidistat

The humidistat located on the power cord senses the percentage of humidity in the air. It causes the humidifier to cycle on and off to maintain the selected humidity SET point. The fan will turn on if the "ROOM" reading falls 3% below the SET point and will continue to run the humidifier until a reading of 1% above the SET point is achieved. The fan will turn off until the ROOM reading falls 3% below the SET point again.



NOTE: Be sure humidistat, which is located on the power cord, is free from obstructions and is away from any hot air source.

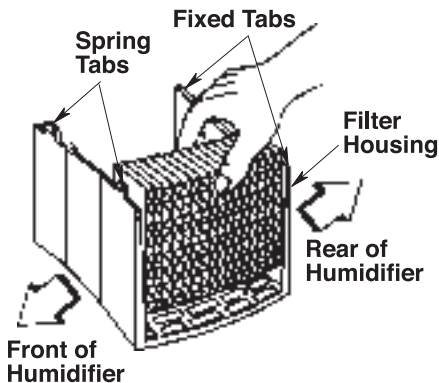
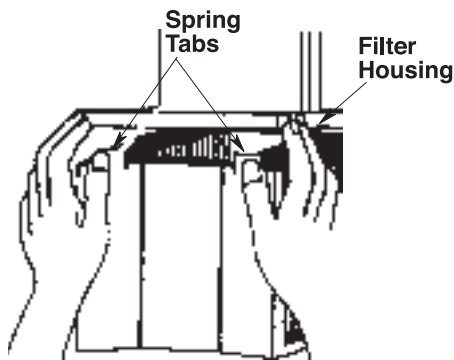
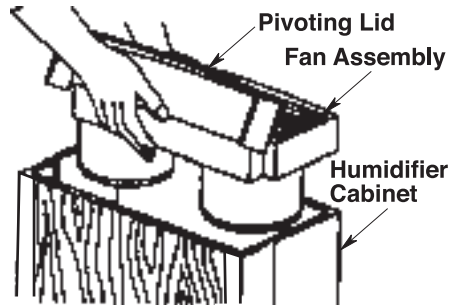
Replacement and Care of Filters

WARNING: To reduce the risk of shock or injury from moving parts, always unplug humidifier before removing or replacing any parts.

CAUTION: To help retard bacteria growth and keep maximum efficiency, the filter should be replaced at least once per season, or more often under hard water conditions. Use MoistAIR HDC12 recommended replacement filter.

The filters may be rinsed periodically in clear water only. Take care not to damage paper. To replace evaporative wicking filters in your humidifier, follow these instructions.

1. Unplug humidifier before removing the filters. We recommend moving the humidifier to an area where floor coverings are not susceptible to water damage, i.e. kitchen or bath areas.
2. Open the pivoting lid and remove water bottles and set aside. Grasp the fan assembly front center and rear center. Lift off and set aside on a clean flat surface. The filter housings are now accessible.
3. Lift filter housing out of cabinet and place where you may work on them comfortably. With a soft, absorbent cloth remove any remaining water or loose mineral deposits not trapped in the filter from the humidifier cabinet.
4. To open filter housing for easy access to filters:
 - a. Deflect the two spring tabs on top of filter housing. Lift top cover off of the filter housing and set aside.
 - b. Remove the two filters and dispose of properly. Clean internal parts of humidifier per the "Cleaning and Maintenance" section (page 12) of your operator's manual.



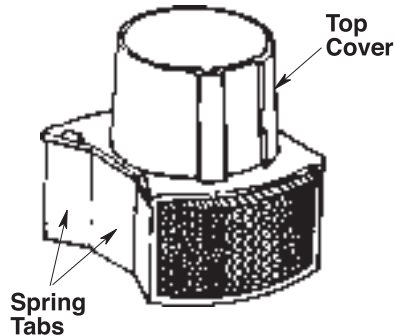
- c. Install new filters in the filter housing track with the glue beads of the wicking pad to the inside of the filter housing.
- d. Return the top cover of the filter housing by installing cover over the fixed tabs on the rear of the lower filter housing and pivoting the cover down over the top of the filters. Snap the cover over the two spring tabs.

Replacement and Care of Filters (con't)

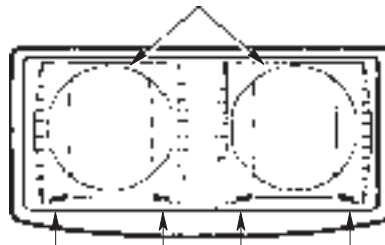
e. Replace the filter housing in the cabinet.

NOTE: There is a front and back orientation. To position the filter housings correctly:

- Be sure that the spring tabs of filter housings are towards front of cabinet.
 - Align the lower portion of the filter assembly over the six ribs located at the bottom rear of the humidifier cabinet.
- f. Position fan assembly onto the cabinet. Make sure the fan venturi (lowest cylinder section below the fan) is placed inside the filter housing.
- g. Replace water bottles.
- h. Close the pivoting lid.
- i. The unit is ready for use or to be stored away for next season.



Flat Portion of Filter Housing Towards Back of Cabinet



Spring Tabs Towards Front of Cabinet
Step 4e

Cleaning and Maintenance

WARNING: To reduce the risk of injury, fire or damage to humidifier, use only cleaners specifically recommended for humidifiers. Never use flammable, combustible or poisonous materials to clean your humidifier. To reduce the risk of scalds and damage to humidifier, never put hot water in humidifier.

CAUTION: Local water purity varies from area to area and under certain conditions water impurities and airborne bacteria may promote the growth of micro-organisms in the reservoir of the humidifier. To retard bacteria growth that may cause odors and be harmful to your health, use only MoistAIR replacement filters. We also recommend using EPA approved bacteriostat and humidifier cleaner.

NOTE: If it is necessary to use approved bacteriostat, follow directions correctly.

The bottles of the whole house humidifier will hold 2-3/8 gallons/9 litres of water each.

Step 1:

To make cleaning easier, the humidifier cabinet should be empty and completely dried out. To accomplish this, use the following method:

- a. On the back side of the humidifier cabinet, find the float retainer. In normal operating mode, the retainer will be positioned in the bottom of the slot in the cabinet. Push the retainer up to the top slot position in the cabinet until it locks in place. (See "Manual Dryout" section on page 9.)
- b. Allow the humidifier to run until there is no water left in the cabinet.
- c. Unplug humidifier.

Cleaning and Maintenance (cont'd.)

WARNING: To reduce the risk of shock, always unplug humidifier before cleaning or servicing. If humidifier is not unplugged, fan could start after housing is removed.

Step 2:

To Remove Parts

- Open the pivoting lid and remove water bottles and set aside. Grasp the fan assembly front center and rear center. Lift off and set aside on a clean flat surface. The filter housings are now accessible.
- Before removing the internal parts of the humidifier cabinet, we recommend moving the humidifier to an area where floor covers are not susceptible to water damage, i.e.; kitchen or bath area. Lift the filter housing assemblies out of the cabinet and set to the side.
- Remove the water level float from the humidifier cabinet by pinching the float retainer to release it from the cabinet. The cabinet should be empty before cleaning. The cabinet consists of the lower areas of the humidifier where the filters are during normal operation time.
- Empty cabinet of any remaining water.
- Proceed to "Bi-Weekly Maintenance" or "End of Season Maintenance".
- Remove old filters and dispose of properly as described on pages 11-12.

Step 3:

Install new filters (purchase the correct evaporative wicking filter pads HDC12 for your humidifier) into the location where the old filters were positioned. Install the filter housings with the new filters into the correct location. Reinstall the water level float.

NOTE: Float retainer should be positioned in normal operating mode. Assure that it is positioned in the bottom of the slot in the back of the cabinet (See page 9 for diagram of slot).

Position the fan assembly on top of the cabinet and return the humidifier to the desired location for use.

Refill humidifier bottles with fresh cool water and return them to the cabinet. Plug the unit into a 120 volt A.C. power outlet and set the controls per the "Operating Humidifier Controls" section (page 8) of this manual.

Bi-Weekly Maintenance

Removing Scale

- Fill the reservoir with water and add one 8 oz. (236 ml) cup of undiluted white vinegar. Let solution stay for 20 minutes.
- Clean all interior surfaces with soft brush. Dampen soft cloth with undiluted white vinegar and wipe out reservoir to remove scale.
- Rinse thoroughly with clean warm water to remove scale and cleaning solution before disinfecting the reservoir.

Disinfecting Humidifier Cabinet and Water Bottles

- Fill humidifier cabinet with 1 teaspoon (5 ml) chlorine bleach in 1 gallon (3.8 litres) of water. Let solution stay for 20 minutes, carefully swishing every few minutes. Wet all surfaces normally exposed to water.
- Empty humidifier cabinet after 20 minutes. Rinse with water until bleach smell is gone. Allow unit to dry out completely.
- Water bottles should be cleaned in the same manner.

End of Season Maintenance

- Follow "Bi-Weekly Maintenance" instructions at end of humidification season.
- Remove and throw away filters.
- Let humidifier dry completely before storing. Do not store with water inside cabinet or water bottles.
- Store in cool, dry location.
- Install a new filters in clean humidifier before next season begins.
- "Bi-Weekly Maintenance" procedure is also recommended if you do not plan to run the humidifier for one week or more.

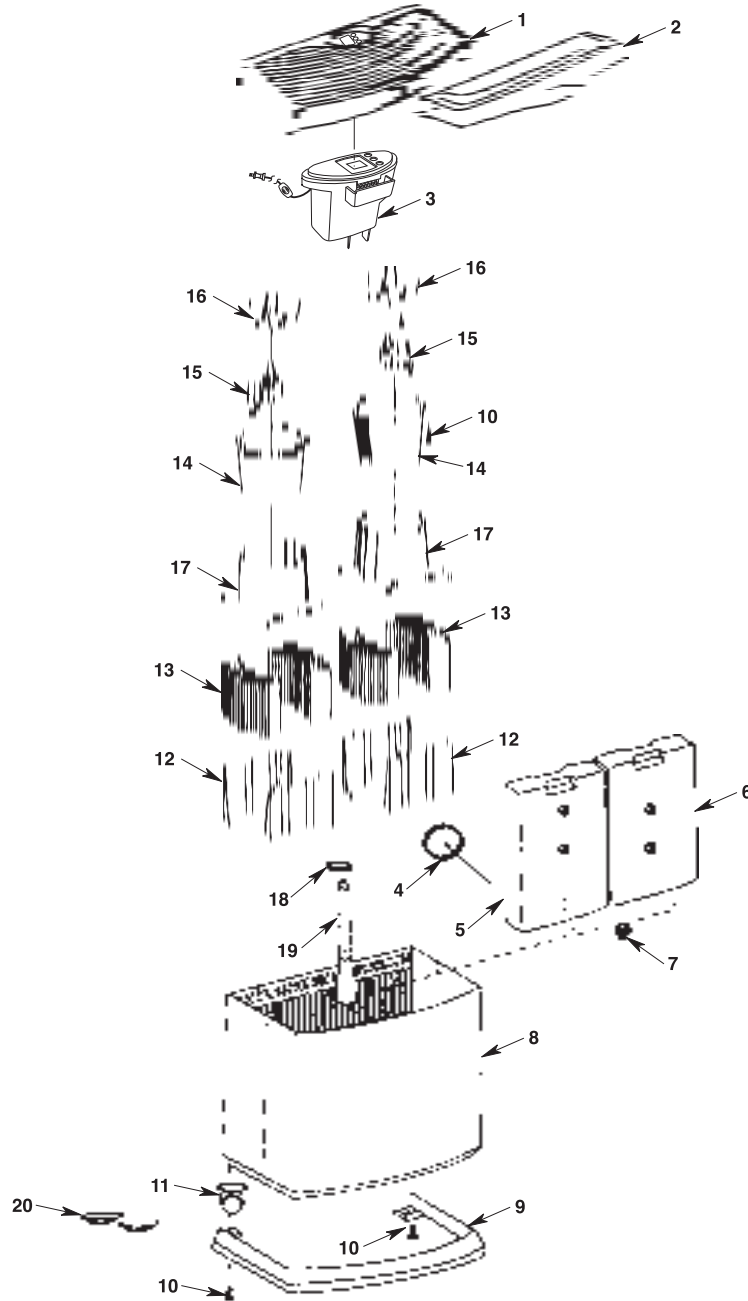
Troubleshooting

Trouble	Probable Cause	Remedy
Digital display not illuminated.	<ul style="list-style-type: none"> No Power. Power button has not been depressed. 	<ul style="list-style-type: none"> Check 120 volt power source. Press power button once to turn on.
Fan not operating (digital display is illuminated).	<ul style="list-style-type: none"> ROOM humidity level is not 3% or more below SET humidity level. Reservoir is empty. 	<ul style="list-style-type: none"> Raise SET humidity level if desired. Increase fan speed. Fill humidifier with water.
Fan running continuously, unit will not shut off.	<ul style="list-style-type: none"> Float is obstructed. SET humidity level is 65%. ROOM humidity level has not reached 1% or more above SET humidity level. 	<ul style="list-style-type: none"> Free float from obstruction. A SET humidity percentage of 65% operates fan continuously. Adjust SET level between 25% - 60%. Continue to run until desired humidity level is achieved. This may take up to 48 hours initially.
Poor evaporation of water.	<ul style="list-style-type: none"> Check filter message "CF" is flashing. Mineral buildup on filter. 	<ul style="list-style-type: none"> Change to a fresh new filter. <p>NOTE: Local water purity varies from area to area.</p>
Neither bottle emptying.	<ul style="list-style-type: none"> Bottle cap plunger missing post in bottom of cabinet. Dirty filters. 	<ul style="list-style-type: none"> Check orientation of bottles. Reposition so that bottle cap plunger (stem) is depressed by post in bottom of cabinet. Change to fresh new filters (HDC12).
Bottles continues to empty.	<ul style="list-style-type: none"> Air is entering water bottle. 	<ul style="list-style-type: none"> Check "Side-Fill Caps" and valve assembly caps to ensure tightness. Check for leak in water bottle. Ensure gaskets for "Side-Fill Caps" are in place.
Left bottle not emptying.	<ul style="list-style-type: none"> Right bottle contains water. 	The humidifier is designed so that right bottle empties first.
Refill display "F" is on before bottles are empty.	<ul style="list-style-type: none"> Unit is not set up on a level surface. (Float will not sense water at the front of the cabinet.) 	<ul style="list-style-type: none"> Position unit level. (Some carpet padding may allow unit to sit lower in the front than rear with the additional weight of water bottles in the front of the cabinet. Install caster pads under front casters (see page 5).
Display blinks or fan moves slightly when humidifier is plugged in.	<ul style="list-style-type: none"> Normal. 	<ul style="list-style-type: none"> No action required.
Alternating "F" and room humidity displayed.	<ul style="list-style-type: none"> Reservoir is empty. 	<ul style="list-style-type: none"> Fill humidifier with water.
Alternating "CF" and room humidity displayed.	<ul style="list-style-type: none"> Filter may be dirty. 	<ul style="list-style-type: none"> Replace filter.

CAUTION: Use only EPA Registered Bacteriostat. Use of other water treatment products may damage the filter elements. Under no circumstances should you use water treatment products designed for Roto belt or Ultrasonic humidifiers.

Repair Parts

Parts List for MoistAIR® Humidifier Model No. HD14070



Repair Parts

Parts List for MoistAIR® Humidifier Model No. HD14070

Always order by part number - Not by key number

Key No	Part No.	Description
1	828741-2	Lid, Stationary
2	828855-2	Lid, Pivoting
3	831680-1	Control Assembly
4	824690	"Side-Fill Cap"
5	828192	Bottle, Left (Includes Key Nos. 4 & 7)
6	828726	Bottle, Right (Includes Key Nos. 4 & 7)
7	509229-1	Cap, Valve Assembly
8	828199-10	Cabinet
9	823726	Rail, Kick
10	STD601107	* Screw, Pan Hd. Ty "AB" #10 x 3/4
11	828515	Caster, Twin Wheel
12	830560-1	Support, Filter Lower
13	HDC12	• Filter, Evaporative
14	828534	Support, Motor
15	828115-1	Motor
16	822406-1	Fan
17	828197	Support, Upper Filter
18	824101	Retainer, Float
19	828200-3	Float, Water Level
20	828920	Pad, Caster (Two)
□	SP6647	Operator's Manual (not illustrated)

87

NOTE: Any attempt to repair the control assembly or motor may create a hazard unless repair is done by a qualified service technician.

- * Standard Hardware Item - May be purchased locally
- Stock item - Purchase locally or call numbers below

To order parts call: USA:1-800-547-3888
Canada: 1-888-744-4687

Warranty

**Moist AIR® PRODUCTS
HUMIDIFIER WARRANTY POLICY
EFFECTIVE APRIL 1, 2008
SALES RECEIPT REQUIRED AS PROOF OF PURCHASE
FOR ALL WARRANTY CLAIMS.**

This product is warranted against defects in workmanship and materials for one year from the date of sale except for motors, which are warranted for two years. This warranty does not apply to filters or wicks which are customer replaceable parts.

This warranty applies only to the original purchaser of the product when it is purchased from a reputable retailer/dealer.

This warranty does not apply to damage from accident, misuse, alterations, unauthorized repairs, unauthorized use, mishandling, unreasonable use, abuse, including failure to perform reasonable maintenance, normal wear and tear, nor where the connected voltage is more than 5% above the nameplate voltage, nor to the equipment or products being improperly installed or wired or maintained in violation of this Owner's Manual.

Alterations include the substitution of name brand components including, but not limited to wicks and bacteria treatment.

THIS PRODUCT IS NOT INTENDED FOR COMMERCIAL USE. THIS IS THE SOLE AND EXCLUSIVE WARRANTY GIVEN BY MANUFACTURER WITH RESPECT TO THE PRODUCTS AND, TO THE MAXIMUM EXTENT PERMITTED BY LAW, IS IN LIEU OF AND EXCLUDES ALL OTHER WARRANTIES AND CONDITIONS, EXPRESS OR IMPLIED, ARISING BY OPERATION OF LAW OR OTHERWISE. INCLUDING WITHOUT LIMITATION, MERCHANTABILITY AND/OR FITNESS FOR A PARTICULAR PURPOSE.

No employee, agent, dealer or other person is authorized to give any warranties or conditions on behalf of the manufacturer. The customer shall be responsible for all costs incurred in the removal or reinstallation and shipping of the product for repairs.

Within the limitations of this warranty, purchaser with inoperative units should contact customer service @ 800-547-3888 for paperwork and instructions on the return of the unit for repair. A copy of the sales receipt is required before authorization to return a unit for repair is approved. The manufacturer will repair or replace the product, at its discretion, at no charge to the customer with return freight paid by the manufacturer. It is agreed that such repair or replacement is the exclusive remedy available from the manufacturer and that TO THE MAXIMUM EXTENT PERMITTED BY LAW, THE MANUFACTURER IS NOT RESPONSIBLE FOR DAMAGES OF ANY KIND, INCLUDING INCIDENTAL AND CONSEQUENTIAL DAMAGE OR LOSS OF PROFITS OR REVENUES.

This warranty will be null & void if purchaser attempts to repair or replace any parts which are mechanical or electrical.

The warranty gives the customer specific legal rights, and the customer may also have other rights which vary from province to province, or state to state.

FOR TECHNICAL HELP, CALL
(800) 547-3888 FROM USA OR (888) 744-4687 FROM CANADA
(Please have complete model number)

MoistAIR[®]



Essick Air Products

For more information about MoistAIR[®] humidifiers, visit our website at
www.moistair.com

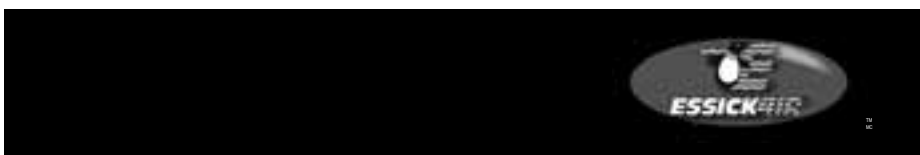
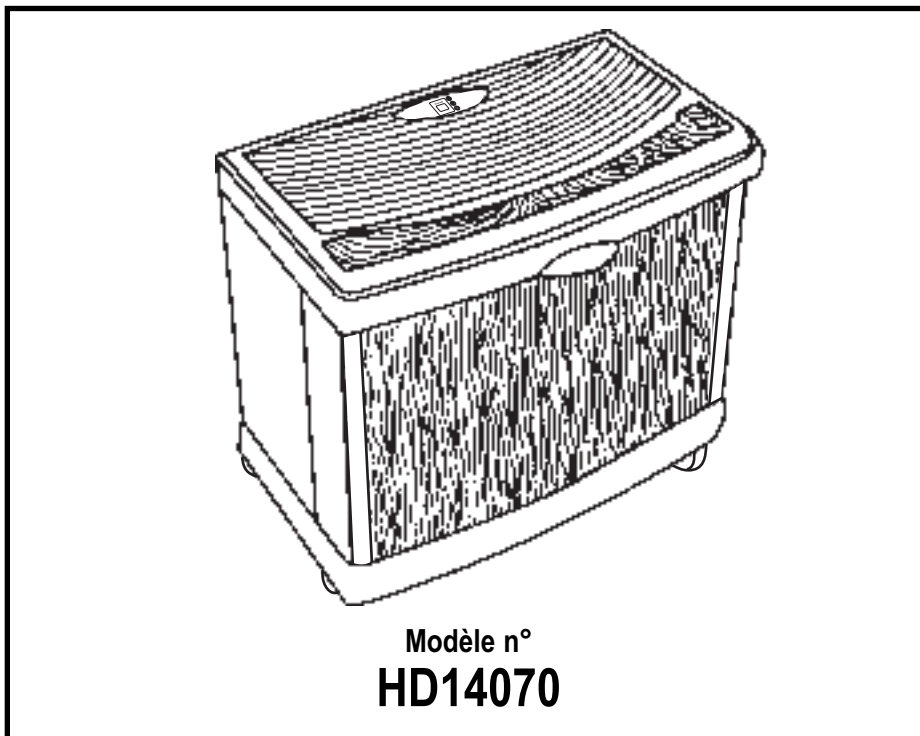
© 2009

Part No. SP6647

Form No. SP6647-1

Printed in U.S.A 12/09

MISE EN GARDE : LIRE ATTENTIVEMENT TOUTES LES INSTRUCTIONS AVANT L'INSTALLATION.
CONSERVER CE MODE D'EMPLOI POUR FUTURE RÉFÉRENCE.



HD14070

Mode d'emploi de l'humidificateur évaporatif à console

CONSIGNES DE SÉCURITÉ GÉNÉRALES

Termes relatifs à la sécurité

DANGER : si les informations relatives à la sécurité ne sont pas respectées, quelqu'un sera gravement blessé ou tué.

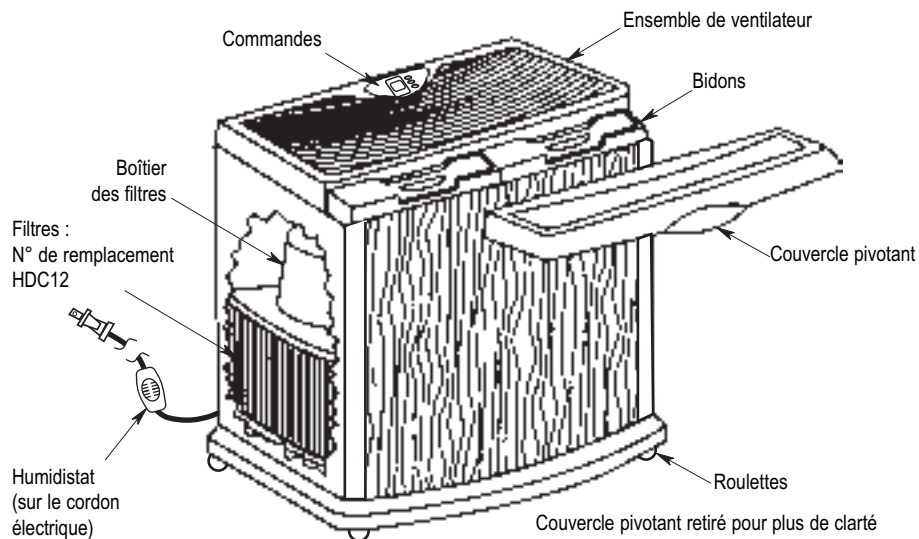
AVERTISSEMENT : si les informations relatives à la sécurité ne sont pas respectées, quelqu'un risque d'être gravement blessé ou tué.

MISE EN GARDE : si les informations relatives à la sécurité ne sont pas respectées, quelqu'un sera peut-être blessé.

1. Pour réduire le risque d'incendie ou de choc électrique, branchez l'humidificateur d'air directement dans une prise de courant alternatif de 120 V c.a. N'utilisez pas de rallonges.
2. Ne laissez pas le cordon électrique traîner dans des passages très fréquentés. Pour réduire le risque d'incendie, ne placez jamais le cordon électrique sous un tapis, ou à proximité d'un registre de chaleur, d'un radiateur, d'un four ou d'un appareil de chauffage.
3. Débranchez toujours l'humidificateur d'air avant de le nettoyer ou de le déplacer, ou à chaque fois qu'il n'est pas en service.
4. Veillez à ce que l'humidificateur reste propre.
5. Ne placez pas de corps étrangers à l'intérieur de l'humidificateur.
6. Ne laissez pas des enfants se servir de cet appareil comme d'un jouet. Il faut faire très attention quand cet appareil est utilisé par des enfants ou à proximité d'enfants.
7. N'utilisez jamais votre humidificateur quand une pièce est absente ou endommagée de quelque façon que ce soit.
8. Pour réduire le risque de danger électrique ou d'endommagement de l'humidificateur d'air, n'inclinez pas, ne heurtez pas et ne faites pas basculer l'humidificateur d'air quand il est en marche.
9. Pour réduire le risque d'endommager l'humidificateur d'air, débranchez-le quand il n'est pas utilisé.
10. Pour réduire le risque de choc électrique accidentel, ne touchez pas le cordon ou les commandes si vos mains sont mouillées.
11. Pour réduire le risque d'incendie, n'utilisez pas l'humidificateur près d'une flamme vive comme une bougie ou une autre source de flammes.
12. Tenez compte de l'étiquette d'avertissement ci-dessous.

AVERTISSEMENT : Pour réduire le risque d'incendie, de choc électrique ou de blessure, débranchez toujours l'appareil avant d'effectuer une réparation ou un nettoyage.

Familiarisez-vous avec votre humidificateur d'air



Description	HD14070
* Débit 24 h	14 gallons/53 litres
Capacité des bidons	2-3/8 gallons/9 litres
* Couverture en pi ²	2900
Vitesses de ventilation	3
Vitesse de ventilation automatique	Oui
Filtre de rechange	Jeu de 4 (HDC12)
Indicateur de remplissage	Oui
Fermeture automatique	Oui
Humidistat automatique	Oui
Commandes	Électroniques (bouton-poussoirs)
Roulettes	Oui (4)
Classification ETL	Oui
Volts	120 (c.a.)
Hertz	60
Ampères	2,88
Watts	165

* Chiffres basés sur une aire avec isolation standard et un plafond de 8 pieds de hauteur
ANSI/AHAM HU-1-1997, SEC 8.1, les résultats peuvent varier.

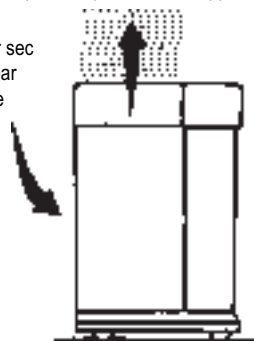
Comment fonctionne votre humidificateur d'air

Votre nouvel humidificateur d'air MoistAIR a été conçu pour répondre aux besoins d'humidité de votre domicile au moyen du principe d'évaporation de l'eau dans l'air.

Après que de l'eau a été versée dans le bidon, les filtres commencent à absorber l'eau, et ils deviennent totalement saturés en une demi-heure environ. De l'air est attiré depuis l'arrière de l'humidificateur et à travers les filtres au moyen de ventilateurs de circulation. Tandis que l'air passe à travers les filtres, de l'humidité est absorbée dans l'air, puis elle y est relâchée à l'état de vapeur. Aucune goutte d'eau n'entrera dans la maison. Toute l'évaporation dans l'air se déroule à l'intérieur de l'humidificateur, ce qui signifie que les résidus laissés par l'eau ne sont pas dispersés dans la maison mais restent dans le filtre.

L'air humidifié est ensuite libéré depuis la partie supérieure de l'appareil

De l'air sec entre par l'arrière



MISE EN GARDE : Utilisez seulement un bactériostatique agréé par l'agence de protection de l'environnement. Vous ne devriez en aucun cas utiliser des produits de traitement de l'eau conçus pour des humidificateurs Ultrasonic ou Roto Belt.

MISE EN GARDE : pour réduire le risque de vous blesser, de causer des incendies ou d'endommager l'humidificateur, n'utilisez que des détergents spécialement recommandés pour les humidificateurs. N'utilisez jamais de produits inflammables, combustibles ou toxiques pour nettoyer votre humidificateur.

Pour réduire le risque de vous ébouillanter et d'endommager l'humidificateur, ne mettez jamais d'eau chaude dans l'humidificateur.

Assemblage

Votre nouvel humidificateur MoistAIR est complètement assemblé en usine et prêt pour votre utilisation. Retirez le conditionnement contenant deux montures de roulettes en plastique du haut de l'humidificateur et conservez l'ensemble pour emploi futur si nécessaire. Veuillez consulter l'Étape 1 ci-après pour toutes instructions.

Retirez les matériaux d'emballage de l'intérieur de votre humidificateur et suivez les instructions de ce mode d'emploi pour l'utiliser conformément à ces instructions. Vous trouverez des matériaux d'emballage en dessous de l'ensemble de ventilateur. Retirez tous les matériaux d'emballage et jetez-les.

Instructions de positionnement

AVERTISSEMENT : pour votre propre sécurité, n'utilisez pas l'humidificateur si certains éléments sont endommagés ou absents.

Étape 1 :

Placez l'humidificateur sur une surface plate et de niveau, dans une partie de votre maison où de l'humidité est particulièrement nécessaire, ou à un endroit où l'humidité ainsi produite peut être disséminée dans le reste de la maison, par exemple à proximité d'une gaine de retour d'air. Le placement de l'appareil de niveau est très important si l'humidificateur est positionné sur un tapis ou de la moquette.

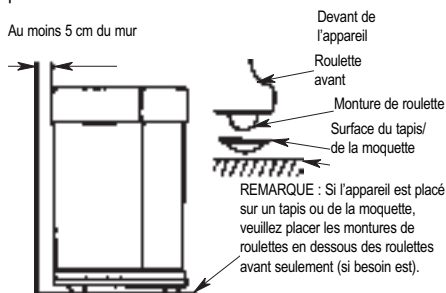
REMARQUE : L'humidificateur contient des bidons d'eau. Le poids des bidons à l'avant de la structure risque de causer un enfoncement plus profond des roulettes de l'avant dans le tapis ou la moquette. Si cela se produit, le niveau d'eau sera plus élevé à l'avant de l'humidificateur et plus bas à l'arrière. Le flotteur indiquant le niveau d'eau (situé à l'arrière du bâti) ne détectera peut-être pas l'eau, ce qui aura pour conséquence que le « F » clignotant sera affiché et que l'appareil ne se mettra pas en marche. Dans une telle situation, il sera nécessaire de remettre l'appareil de niveau afin de lui permettre de se mettre en marche. Pour mettre l'humidificateur de niveau quand il est situé sur un tapis ou sur de la moquette, placez les montures de roulettes jointes en dessous des deux roulettes du devant de l'humidificateur seulement.

REMARQUE : En raison de la production d'air frais et humide par l'humidificateur, il est recommandé d'orienter l'air dans le sens opposé au thermostat de la maison et aux registres d'air chaud. La position idéale pour l'humidificateur est à proximité d'une cloison intérieure. Les registres d'air chaud et l'air froid des murs extérieurs risquent d'affecter l'efficacité des commandes. L'appareil ne doit pas être placé à un endroit où de l'air chaud provenant d'un registre d'air chaud souffle directement sur l'appareil.

L'air humide (humidité) produit se dispersera dans toute la maison, mais la zone située à proximité de l'appareil deviendra la partie la plus humide de la maison. Si l'appareil est placé à proximité d'une fenêtre, de la condensation risque de se former sur les vitres. Si cela pose un problème, il est recommandé de placer l'appareil à un autre endroit.

Étape 2 :

L'humidificateur doit être positionné de la façon suivante : sa surface arrière (côté d'où sort le cordon électrique) et son côté gauche doivent être à au moins cinq centimètres du mur. Il est nécessaire que de l'air entre à travers les grilles de ventilation du panneau arrière afin de permettre à l'humidificateur de fonctionner à son niveau maximum de performance.



Suggestions pour obtenir la meilleure performance possible

1. Positionnez l'humidificateur à au moins cinq centimètres de la cloison la plus proche et à distance des registres de chaleur le cas échéant.
2. N'entravez pas la circulation de l'air vers l'intérieur ou vers l'extérieur de l'humidificateur.
3. Utilisez un bactériostatique agréé par l'agence de protection de l'environnement afin de retarder la croissance de bactéries qui risquent de causer des odeurs et peuvent nuire à votre santé.
4. Effectuez des nettoyages périodiques suivant les instructions de la section « Nettoyage et maintenance » de ce mode d'emploi.
5. Remplacez les filtres évaporateurs capillaires au moins une fois pendant chaque saison d'humidification (ou plus souvent si nécessaire, en fonction du niveau d'humidité de votre région).

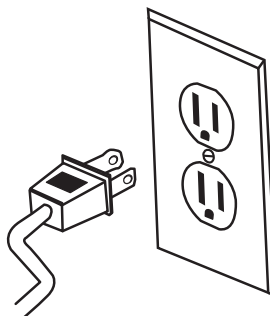
Raccordement électrique

Localisez la prise murale (120 V, c.a.) la plus proche de l'emplacement souhaité, de préférence sur un mur de division. Une fois l'humidificateur positionné à l'endroit voulu, placez le cordon électrique de façon à ce que personne ne trébuche dessus ou n'abîme l'humidificateur. Branchez l'appareil dans la prise de courant.

Si la fiche n'entre pas complètement dans la prise, inversez-la. Si elle ne peut toujours pas être insérée, faites appel à un électricien qualifié et demandez-lui d'installer une prise appropriée. Ne modifiez pas la prise vous-même de quelque façon que ce soit.

AVERTISSEMENT : pour réduire le risque d'incendie ou de choc électrique, branchez l'humidificateur d'air directement dans une prise de courant alternatif de 120 V. N'utilisez pas de rallonges.

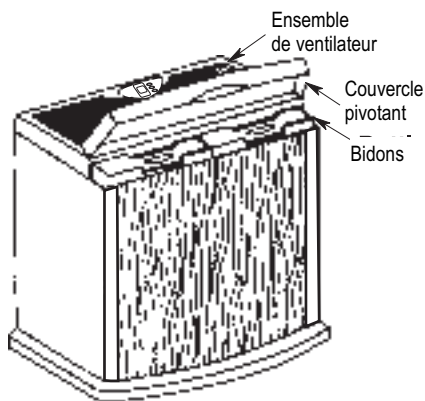
Pour réduire le risque de choc électrique, cet humidificateur est muni d'une fiche polarisée (une lame est plus large que l'autre). Cette fiche ne pourra être insérée dans une prise polarisée que dans un sens.



Remplissage d'eau

AVERTISSEMENT : Pour réduire le risque de choc électrique, débranchez toujours l'humidificateur avant tout nettoyage ou entretien.

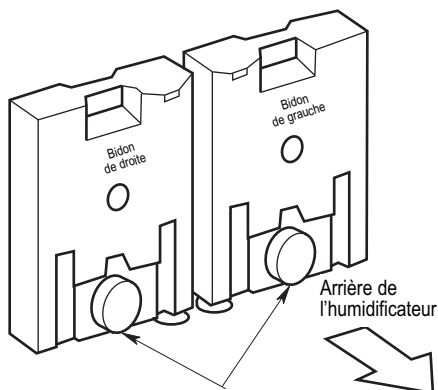
AVERTISSEMENT : pour réduire le risque d'incendie ou de choc électrique, ne versez pas (et ne renversez pas) d'eau sur les commandes ou sur le moteur. Si les commandes sont mouillées, laissez-les sécher complètement et faites inspecter l'appareil par un réparateur agréé avant de le rebrancher.



Cet humidificateur est conçu pour emploi avec les deux bidons d'eau qui sont situés en dessous du couvercle pivotant.

Ouvrez le couvercle pivotant de l'humidificateur. Retirez les bidons d'eau en les soulevant tout droit vers le haut pour les faire sortir du bâti.

Remarquez que les bidons d'eau sont conçus pour un positionnement particulier, l'un à droite et l'autre à gauche. Positionnez chacun d'eux à l'endroit approprié pour permettre à l'humidificateur de fonctionner correctement. Les bidons d'eau doivent reposer à l'avant de l'appareil. Chaque « bouchon à remplissage latéral » doit être orienté de façon à faire face à l'arrière de l'appareil.



Les « bouchons à remplissage latéral » doivent toujours être orientés de façon à faire face à l'arrière de l'appareil

Remplissage d'eau (suite)

Chaque bidon d'eau est conçu avec un « bouchon à remplissage latéral » facile à retirer. Retirez le « bouchon à remplissage latéral » sur le côté du bidon d'eau en le faisant tourner dans le sens contraire des aiguilles d'une montre.

Placez l'ouverture du bidon d'eau au-dessous d'un robinet d'eau (le bidon doit pouvoir tenir au-dessous d'un robinet surplombant l'évier d'une dizaine de centimètres). Remplissez le bidon avec le mélange recommandé d'eau froide et de bactériostatique (si nécessaire) seulement. La présence de débris solides risquerait de causer des fuites à travers la valve.

Installez le « bouchon à remplissage latéral » en le faisant tourner dans le sens des aiguilles d'une montre. Serrez à la main seulement.

Assurez-vous qu'il n'y a pas de fuites en suivant la procédure ci-dessous :

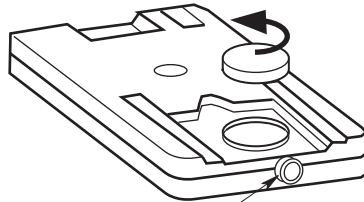
1. Saisissez la poignée du bidon et tenez le bidon verticalement au-dessus d'un évier.
2. Appuyez sur le piston du bouchon de valve pendant une seconde environ afin d'expulser un peu d'eau.
3. Relâchez le piston.
4. Écoutez pour déterminer si des bulles d'eau se forment. Inspectez la zone autour du « bouchon à remplissage latéral » pour voir s'il y a des fuites.
5. Si vous entendez des bulles d'air ou si vous voyez des fuites, resserrez le « bouchon à remplissage latéral » et recommencez les étapes 1-4.

Essayez l'excédent d'eau du bidon.

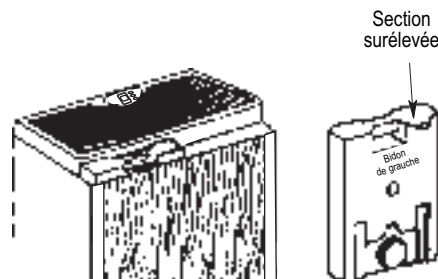
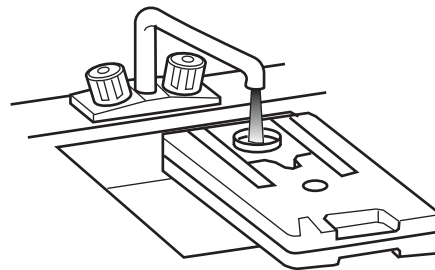
Remettez le bidon d'eau à sa place sur l'appareil en saisissant la poignée du bidon d'eau et en abaissant le bidon dans le bâti jusqu'à ce que le bidon repose sur le support prévu à cet effet au fond du bâti. Le « bouchon à remplissage latéral » doit être orienté pour faire face à l'arrière de l'appareil. Lorsque le bidon est positionné correctement, le piston s'ouvrira et de l'eau coulera dans le bâti. Le niveau d'eau restera automatiquement à environ 1,25 cm jusqu'à ce que les bidons soient vides.

Laissez le filtre se saturer pendant une demi-heure avant de mettre l'appareil en marche.

Tournez dans le sens contraire des aiguilles d'une montre pour retirer le bouchon



Piston du bouchon de valve



Couvercle pivotant retiré pour plus de clarté

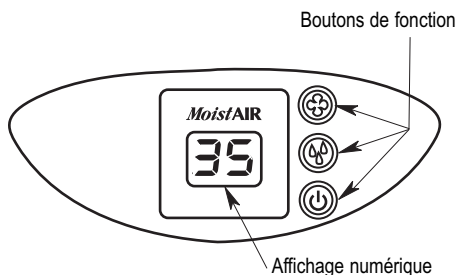
Fonctionnement des commandes

Vous pouvez régler le niveau d'humidité en fonction de vos préférences personnelles, de la température extérieure et de la température intérieure. Il est recommandé de commencer avec un point de réglage de 30 % - 40 % d'humidité pour la pièce (ROOM), mais les réglages devront être modifiés selon les conditions.

IMPORTANT : des dégâts causés par l'eau peuvent se produire si de la condensation commence à se former sur les fenêtres ou sur les murs. Le point de réglage (SET) de l'humidité doit être réduit jusqu'à ce que la condensation cesse de se former. Nous recommandons que les niveaux d'humidité d'une pièce ne dépassent pas 50 %.

Quand la température extérieure est :		L'humidité relative intérieure recommandée est :
-10° F	-24° C	20%
2° F	-18° C	25%
10° F	-12° C	30%
20° F*	-6° C*	35%

* et températures supérieures




Bouton de vitesse

Cet humidificateur est muni d'une commande de ventilateur à trois vitesses. Le fait d'appuyer initialement sur le bouton de vitesse affichera le réglage de vitesse actuel. Chaque fois que vous appuierez sur le bouton de vitesse, vous changerez de réglage pour passer d'un mode à l'autre : (HIGH) F3 [vitesse élevée], (MEDIUM) F2 [vitesse moyenne] et (Ultra Quiet) F1 [extrêmement silencieux].

Le réglage sélectionné est indiqué sur l'afficheur numérique. Plus la vitesse de réglage est haute, plus l'eau est évaporée et évacuée dans l'air rapidement. F1 (Ultra Quiet) [extrêmement silencieux] est la vitesse la plus silencieuse, et ce réglage est surtout utilisé quand un taux d'évaporation rapide n'est pas nécessaire.

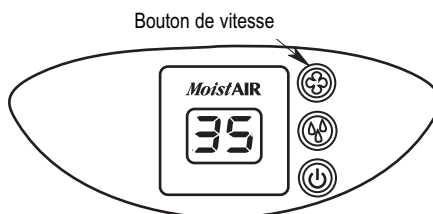
Faire fonctionner les commandes

Afficheur numérique

Appuyez une fois sur le bouton de marche/vitesse pour mettre l'appareil en marche* . Il y a un court délai au début pour permettre un ajustement électronique. Deux tirets (- -) apparaîtront alors. Une fois le calibrage terminé, une lecture de l'humidité de la pièce s'affiche, entre 20 et 95 %. Si le chiffre 20 clignote, cela signifie qu'il y a moins de 20 % d'humidité dans la pièce.

REMARQUE : lors de la mise en marche de l'appareil, la vitesse de ventilateur est réglée par défaut sur (Ultra Quiet) F1 [extrêmement silencieux] et le taux d'humidité est réglé (SET) sur 65 %. Une fois que les réglages sont établis par l'utilisateur, ils restent tant que l'appareil reste branché et qu'il n'y a pas de panne de courant. Si l'appareil est débranché, les réglages par défaut sont utilisés.

* Le ventilateur de l'humidificateur devrait fonctionner dès la mise en marche initiale. Si ce n'est pas le cas, veuillez vous reporter à la page 32, rubrique « Le ventilateur ne marche pas (l'affichage numérique est illuminé) » de la section de ce mode d'emploi intitulée « Dépannage ».

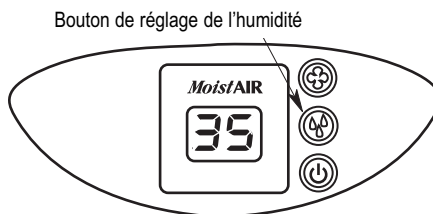


Contrôle de l'humidité

Ce bouton vous permet de régler l'humidité en fonction de vos besoins. L'humidificateur se met automatiquement sous ou hors tension selon le réglage choisi. L'écran affiche à la fois le pourcentage (%) d'humidité réel de la pièce (ROOM) et celui qui a été programmé (SET) quand vous appuyez sur le bouton de réglage de l'humidité. La plage d'humidité réelle de la pièce (ROOM) est de 20 % à 95 %. Si le niveau d'humidité de la pièce est inférieur ou égal à 20 %, le chiffre 20 clignotera sur l'affichage numérique.

Fonctionnement des commandes (suite)

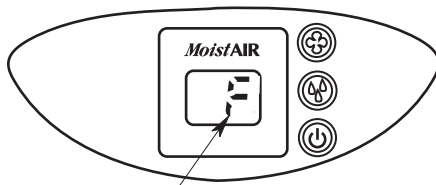
La plage d'humidité programmée (SET) est de 25 % à 65 %, et le réglage peut se faire en incréments de 5 %. Initialement, l'humidité déjà choisie sera affichée quand vous appuierez sur le bouton de réglage de l'humidité. Chaque fois que vous appuierez à nouveau sur le bouton, vous augmenterez le réglage d'humidité de 5 %. Un niveau de réglage de 65 % fera en sorte que l'humidificateur fonctionnera de façon constante quel que soit le niveau d'humidité de la pièce. L'humidistat, qui permet de lire le niveau d'humidité de la pièce, est situé sur le cordon d'alimentation. Assurez-vous qu'il n'est pas obstrué.



Utilisation de votre humidificateur d'air

Fonction d'affichage de remplissage nécessaire

Remplissez les deux bidons pour obtenir une durée de fonctionnement maximum. Quand les deux bidons sont vides, le pourcentage d'humidité de la pièce et la lettre « F » (FILL) [remplissage] clignotent tour à tour sur l'écran d'affichage. Ceci vous indique qu'il faut rajouter de l'eau.



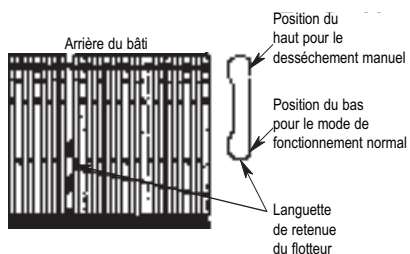
Affichage de remplissage nécessaire

Dessèchement manuel

À la fin de saison d'humidification ou si vous n'avez pas l'intention de mettre l'humidificateur en marche pendant une semaine ou plus, il est conseillé d'utiliser le mécanisme de dessèchement manuel fourni pour assécher complètement le bâti de l'humidificateur.

Pour ce faire, faites simplement glisser la languette de retenue du flotteur située à l'arrière du bâti de l'humidificateur jusqu'à la position la plus élevée de la rainure dans laquelle elle se trouve. Ceci maintiendra le flotteur dans une position élevée et le ventilateur continuera de fonctionner jusqu'à ce que vous mettiez l'appareil hors tension.

REMARQUE : Vérifiez que vous positionnez bien la languette de retenue du flotteur dans le mode de fonctionnement normal (position la plus basse de la rainure) pour permettre le fonctionnement normal de l'humidificateur. Le schéma ci-dessous montre la rainure dans laquelle se trouve la languette de retenue du flotteur à l'arrière du bâti.



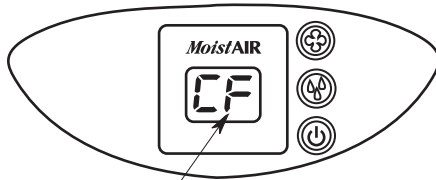
Utilisation de votre humidificateur d'air (suite)

Indicateur CHECK FILTER (vérifier filtre)

La capacité de tout humidificateur à générer de l'humidité de façon efficace dépend dans une large mesure de l'état du filtre. Les impuretés s'accumulent à l'intérieur du filtre et réduisent graduellement sa capacité d'imbibition. Lorsque cela se produit, l'humidification est réduite et l'humidificateur doit fonctionner plus longtemps pour atteindre le niveau d'humidité voulu. Cet humidificateur est pourvu d'un dispositif de rappel de vérification du filtre qui s'affiche après 720 heures d'utilisation. Lorsque l'écran affiche en alternance « CF » et l'humidité de la pièce (Room Humidity) toutes les 5 secondes, c'est pour vous rappeler de vérifier l'état du filtre.

REMARQUE : Dans certaines régions, l'eau a une forte teneur en minéraux qui entraîne le besoin de changer le filtre plus fréquemment.

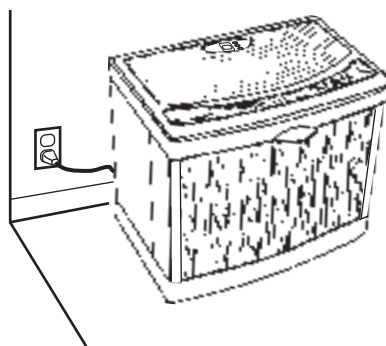
Veillez vous reporter à la section « Remplacement et entretien des filtres » à la page 29. Si vous remarquez l'accumulation de dépôts ou si vous constatez une décoloration importante, remplacez le filtre pour restaurer l'efficacité maximale de l'humidificateur.



Affichage indiquant le besoin de vérifier le filtre

Humidistat

L'humidistat situé sur le cordon d'alimentation détecte le pourcentage d'humidité dans l'air. Il entraîne des cycles de mise en marche et d'arrêt de l'humidificateur afin de maintenir le point d'humidité programmé (SET). Le ventilateur se mettra en marche si l'humidité réelle de la pièce (ROOM) tombe de 3 % au-dessous du point de réglage (SET) et continuera à faire fonctionner l'humidificateur jusqu'à ce qu'une humidité de 1 % au-dessus de l'humidité programmée (SET) soit atteinte. Le ventilateur s'éteindra jusqu'à ce que l'humidité réelle de la pièce (ROOM) tombe à nouveau de 3 % en dessous du point de réglage (SET).



REMARQUE : assurez-vous que l'humidistat, situé sur le cordon d'alimentation, n'est pas obstrué et se trouve loin de toute source d'air chaud.

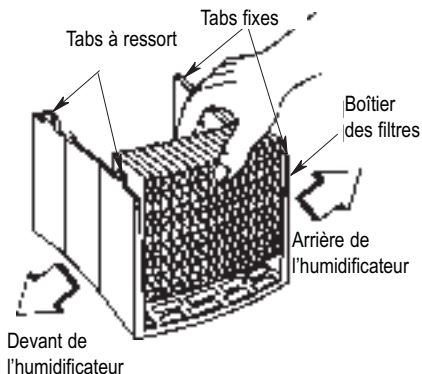
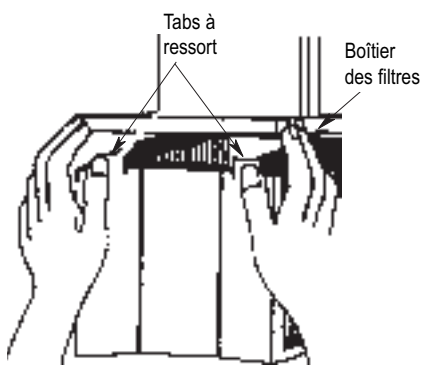
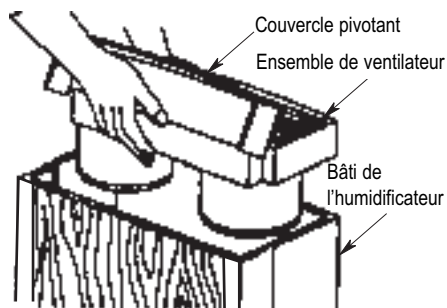
Remplacement et entretien des filtres

AVERTISSEMENT : pour réduire le risque de choc électrique ou de blessure causé par des pièces en mouvement, débranchez toujours l'humidificateur avant de retirer ou de remplacer des pièces.

MISE EN GARDE : pour aider à ralentir la croissance de bactéries et préserver l'efficacité maximale du filtre, ce dernier doit être remplacé au moins une fois par saison, ou plus souvent dans les régions où l'eau est particulièrement dure. Utilisez le filtre de remplacement MoistAIR HDC12 recommandé.

Les filtres peuvent être rincés périodiquement dans de l'eau claire seulement. Faites attention de ne pas endommager le papier. Suivez les instructions ci-dessous pour remplacer les filtres évaporateurs capillaires dans votre humidificateur :

1. Débranchez l'humidificateur avant de retirer les filtres. Nous recommandons de déplacer l'humidificateur pour l'installer à un endroit où le revêtement de sol ne risque pas d'être endommagé par l'eau, comme la cuisine ou la salle de bains.
2. Ouvrez le couvercle pivotant, retirez les bidons d'eau, puis mettez-les de côté. Saisissez l'ensemble de ventilateur par son milieu, en le tenant par l'avant et par l'arrière. Soulevez-le et posez-le sur une surface plate propre. Le boîtier des filtres est maintenant accessible.
3. Soulevez le boîtier des filtres pour le faire sortir du bâti de l'humidificateur et placez-le à un endroit où vous pourrez le nettoyer confortablement. Avec un chiffon doux et absorbant, retirez l'eau et les dépôts minéraux éventuellement accumulés à l'intérieur du bâti de l'humidificateur mais qui n'ont pas été capturés par les filtres.
4. Pour ouvrir le boîtier des filtres afin d'avoir facilement accès aux filtres :
 - a. Appuyez sur les deux tabs à ressort situés sur le dessus du boîtier des filtres. Soulevez le couvercle du haut du boîtier et mettez-le de côté.
 - b. Retirez les deux filtres et jetez-les en respectant les règlements environnementaux. Nettoyez les pièces internes de l'humidificateur en suivant les instructions de la section « Nettoyage et maintenance » (à la page 30) de votre mode d'emploi.



- c. Installez les nouveaux filtres dans la rainure du boîtier des filtres avec les perles de colle du support capillaire orientées vers l'intérieur du boîtier des filtres.
- d. Remettez le couvercle du haut du boîtier des filtres à sa place au-dessus des tabs fixes à l'arrière du boîtier de filtre inférieur et faites tourner le couvercle vers le bas au-dessus du haut des filtres. Appuyez sur le couvercle pour le fermer en comprimant les tabs à ressort.

Remplacement et entretien des filtres (suite)

e. Remettez le boîtier des filtres à l'intérieur du bâti.

REMARQUE : Il y a une orientation vers l'avant et une orientation vers l'arrière. Pour placer le boîtier des filtres dans la position correcte :

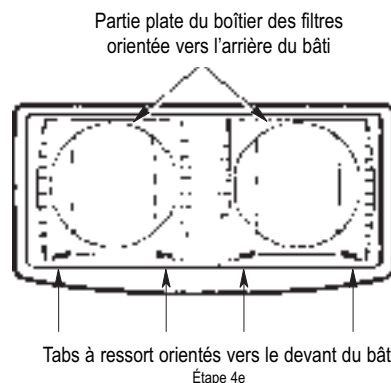
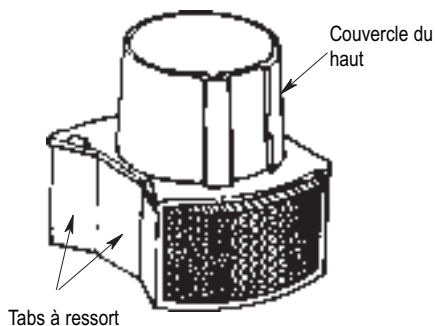
- Vérifiez que les tabs à ressort du boîtier des filtres sont orientés vers le devant du bâti.
- Alignez la partie inférieure de l'ensemble de filtre au-dessus des six nervures situées dans la partie inférieure arrière du bâti de l'humidificateur.

f. Positionnez l'ensemble de ventilateur sur le bâti. Assurez-vous que le tube venturi du ventilateur (la section de cylindre la plus basse au-dessous du ventilateur) est placé à l'intérieur du boîtier des filtres.

g. Remettez les bidons d'eau à leur place.

h. Fermez le couvercle pivotant.

i. L'appareil est maintenant prêt à être utilisé ou rangé en vue de son utilisation la saison prochaine.



Nettoyage et maintenance

AVERTISSEMENT : pour réduire le risque de vous blesser, de causer des incendies ou d'endommager l'humidificateur, n'utilisez que des détergents spécialement recommandés pour les humidificateurs. N'utilisez jamais de matériaux combustibles, inflammables ou toxiques pour nettoyer l'humidificateur. Pour réduire le risque de vous ébouillanter et d'endommager l'humidificateur, ne mettez jamais d'eau chaude dans l'humidificateur.

MISE EN GARDE : la pureté de l'eau varie d'une région à une autre et dans certaines conditions les impuretés dans l'eau et les bactéries en suspension dans l'air peuvent promouvoir la croissance de microorganismes dans le réservoir de l'humidificateur.

Pour ralentir la croissance de bactéries qui susceptibles de causer des odeurs et de nuire à votre santé, utilisez uniquement des filtres de rechange MoistAir. Nous recommandons également l'utilisation d'un bactériostatique homologué par l'EPA et d'un détergent pour humidificateur.

REMARQUE : S'il est nécessaire d'utiliser un bactériostatique agréé, suivez les instructions à la lettre.

Les bidons de l'humidificateur pour toute la maison contiennent 9 litres d'eau chacun.

Étape 1

Afin de faciliter le nettoyage, la base doit être vide et complètement sèche. Pour cela, adoptez la méthode suivante :

- Sur le côté arrière du bâti de l'humidificateur, localisez la languette de retenue du flotteur. Dans le mode de fonctionnement normal, la languette de retenue sera positionnée au fond de la rainure dans le bâti. Poussez la languette de retenue vers le haut de la rainure, jusqu'à la position la plus élevée dans le bâti, quand elle se bloquera en place. (Référez-vous à la section « Dessèchement manuel » à la page 27.)
- Laissez l'humidificateur en marche jusqu'à ce qu'il ne reste plus d'eau dans le bâti.
- Débranchez l'humidificateur.

Nettoyage et maintenance (suite)

AVERTISSEMENT : Pour réduire le risque de choc électrique débranchez toujours l'humidificateur avant de le nettoyer ou de le réparer. Quand l'humidificateur est toujours branché, le ventilateur risque de se mettre en marche après le retrait du bâti.

l'appareil dans une prise de courant de 120 V c.a. et réglez les commandes en suivant les instructions de la section « Fonctionnement des commandes » (page 26) de ce mode d'emploi.

Maintenance bihebdomadaire

Retrait du tartre

1. Remplissez le réservoir d'eau et ajoutez 8 oz (236 ml) de vinaigre blanc non dilué. Laissez la solution reposer pendant 20 minutes.
2. Nettoyez toutes les surfaces intérieures à l'aide d'une brosse souple. Humectez un chiffon doux de vinaigre blanc non dilué et essuyez la base pour en retirer le tartre.
3. Rincez abondamment avec de l'eau chaude et propre pour retirer le tartre et la solution de nettoyage avant de désinfecter le réservoir.

Désinfection du bâti et des bidons d'eau de l'humidificateur

1. Remplissez le bâti de l'humidificateur d'une cuillerée à thé (5 ml) d'un agent chloré de blanchiment dilué dans un gallon (3,8 litres) d'eau. Laissez la solution pendant 20 minutes en prenant soin de remuer toutes les deux minutes. Mouillez toutes les surfaces normalement exposées à l'eau.
2. Videz la base après 20 minutes. Rincez à l'eau jusqu'à ce que l'odeur du chlore ait disparu. Laissez l'appareil sécher complètement.
3. Il convient de nettoyer les bidons d'eau de la même manière.

Maintenance de fin de saison

1. À la fin de la saison d'utilisation de l'humidificateur, réalisez la maintenance bihebdomadaire.
2. Retirez les filtres et jetez-les.
3. Laissez l'humidificateur sécher complètement avant de le ranger. Ne rangez pas l'humidificateur quand il reste de l'eau dans les bidons ou à l'intérieur du bâti.
4. Rangez-le dans un endroit frais et sec.
5. Installez un filtre neuf dans l'humidificateur propre avant que la saison suivante ne commence.
6. Il est aussi recommandé de suivre la procédure de maintenance bihebdomadaire si vous n'avez pas l'intention de faire fonctionner l'humidificateur pendant une semaine ou plus.

Étape 2

Retrait de pièces

- a. Ouvrez le couvercle pivotant, retirez les bidons d'eau, puis mettez-les de côté. Saisissez l'ensemble de ventilateur par son milieu, en le tenant par l'avant et par l'arrière. Soulevez-le et posez-le sur une surface plate propre. Le boîtier des filtres est maintenant accessible.
- b. Avant de retirer les composants intérieurs du bâti de l'humidificateur, nous recommandons de déplacer l'humidificateur pour l'installer à un endroit où le revêtement de sol ne risque pas d'être endommagé par l'eau, comme la cuisine ou la salle de bains. Soulevez les ensembles de boîtiers de filtres pour les sortir du bâti, et mettez-les de côté.
- c. Retirez le flotteur indiquant le niveau d'eau du bâti de l'humidificateur en pinçant la languette de retenue du flotteur pour pouvoir faire sortir le flotteur du bâti. Assurez-vous que le bâti est vide avant de le nettoyer. Le bâti est la partie inférieure de l'humidificateur, dans laquelle les filtres sont placés pendant le fonctionnement normal.
- d. Videz toute l'eau se trouvant dans le bâti le cas échéant.
- e. Passez à la section « Maintenance bihebdomadaire » ou « Maintenance de fin de saison ».
- f. Retirez les vieux filtres et jetez-les en respectant les règlements, comme indiqué aux pages 29-30.

Étape 3

Installez les filtres neufs (achetez les supports de filtres évaporateurs capillaires corrects, N° HDC12, pour votre humidificateur) aux endroits où les vieux filtres étaient placés. Installez le boîtier des filtres avec les filtres neufs à l'endroit correct. Réinstallez le flotteur indiquant le niveau d'eau.

REMARQUE : La languette de retenue du flotteur doit être positionnée dans le mode de fonctionnement normal. Assurez-vous qu'elle est placée au fond de la rainure à l'arrière du bâti (référez-vous à la page 27 pour le schéma de la rainure).

Positionnez l'ensemble de ventilateur sur le bâti et remettez l'humidificateur à l'endroit désiré en vue de son utilisation.

Remplissez les bidons de l'humidificateur avec de l'eau propre froide et remettez-les dans le bâti. Branchez

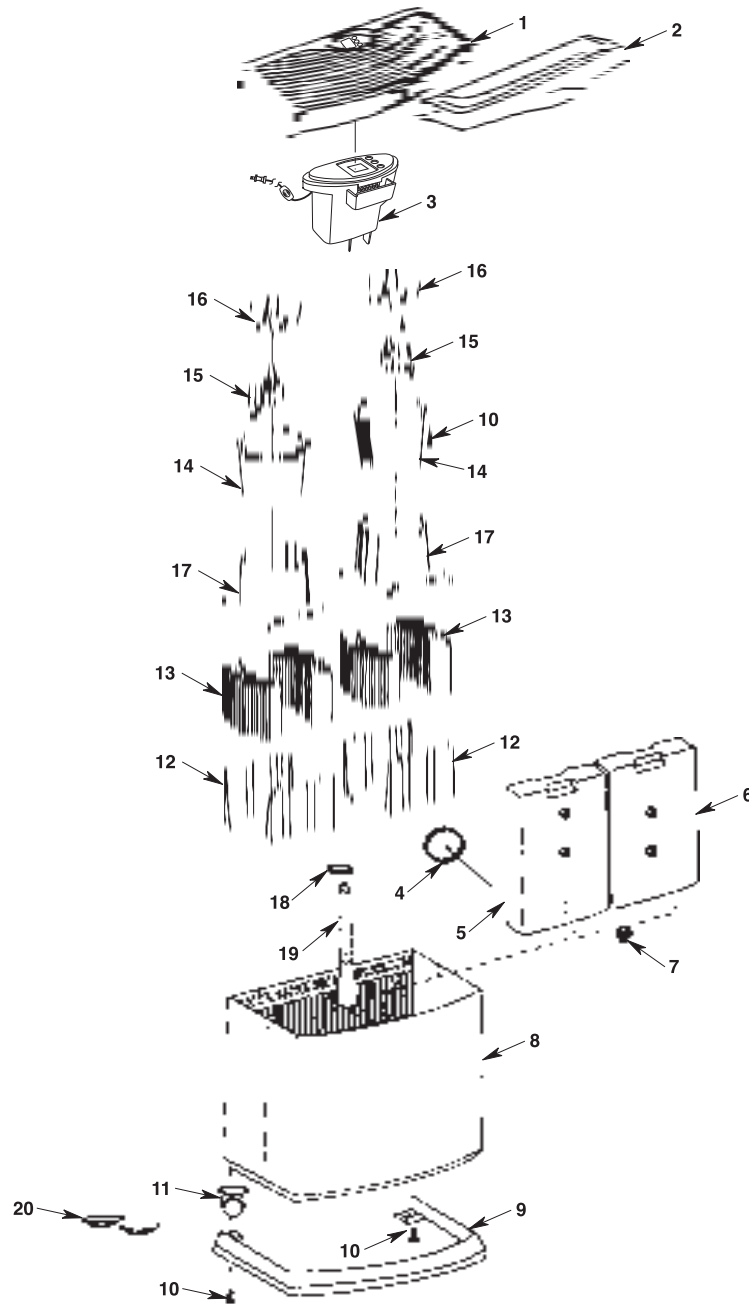
Dépannage

Anomalie	Cause probable	Solution
Écran d'affichage numérique non allumé	<ul style="list-style-type: none"> Pas de tension. Vous n'avez pas appuyé sur le bouton de mise en marche. 	<ul style="list-style-type: none"> Inspectez la source d'alimentation 120 V. Appuyez une fois sur le bouton de mise en marche.
Le ventilateur ne marche pas (l'affichage numérique est illuminé).	<ul style="list-style-type: none"> Le niveau d'humidité réel de la pièce (ROOM) n'est pas de 3 % inférieur au niveau d'humidité programmé. Le réservoir est vide. 	<ul style="list-style-type: none"> Augmentez le niveau d'humidité programmé (SET) si vous le souhaitez. Augmentez la vitesse du ventilateur. Remplissez l'humidificateur d'eau.
Le ventilateur est continuellement en marche. L'appareil ne s'éteint pas.	<ul style="list-style-type: none"> Le flotteur est immobilisé par une obstruction. Le niveau d'humidité programmé (SET) est de 65 %. L'humidité réelle de la pièce (ROOM) n'a pas atteint un niveau supérieur de 1 % ou plus au niveau d'humidité programmé (SET). 	<ul style="list-style-type: none"> Retirez l'obstruction qui immobilise le flotteur. Un pourcentage d'humidité programmé (SET) de 65 % force le ventilateur à fonctionner en continu. Choisissez un niveau de réglage entre 25 % et 60 %. Laissez le ventilateur fonctionner jusqu'à ce que le niveau d'humidité souhaité soit atteint. Cela peut prendre jusqu'à 48 heures initialement.
Mauvaise évaporation de l'eau.	<ul style="list-style-type: none"> Le message « CF » (vérification de l'état du filtre) clignote. Accumulation de particules minérales sur le filtre. 	<ul style="list-style-type: none"> Mettez un filtre neuf. REMARQUE : Le degré de pureté de l'eau varie d'une région à l'autre.
Aucun des bidons ne se vide.	<ul style="list-style-type: none"> Le piston du bouchon du bidon n'est pas comprimé par le montant prévu à cet effet au fond du bâti. Filtres sales. 	<ul style="list-style-type: none"> Vérifiez l'orientation des bidons. Repositionnez-les de façon à ce que le piston du bouchon du bidon (la tige) soit comprimé par le montant au fond du bâti. Remplacez-les par des filtres neufs (HDC12).
Les bidons continuent à se vider.	<ul style="list-style-type: none"> De l'air pénètre dans le bidon. 	<ul style="list-style-type: none"> Inspectez les « bouchons à remplissage latéral » et les bouchons d'assemblage des valves pour s'assurer qu'ils sont toujours serrés. Vérifiez qu'il n'y a pas de fuites dans le bidon. Assurez-vous que les joints d'étanchéité pour les « bouchons à remplissage latéral » sont à leur place.
Le bidon de gauche ne se vide pas.	<ul style="list-style-type: none"> Il reste de l'eau dans le bidon de droite. 	<ul style="list-style-type: none"> L'humidificateur est conçu de façon que le bidon de droite se vide en premier.
La lettre « F » (indiquant un remplissage nécessaire) s'allume avant que les bidons ne soient vides.	<ul style="list-style-type: none"> L'appareil n'est pas installé sur une surface de niveau. (Le flotteur ne détectera pas l'eau qui se trouve au fond du bâti.) 	<ul style="list-style-type: none"> Placez l'appareil de niveau. (La mousse servant à rembourrer la moquette risque de s'affaisser au-dessous de l'avant de l'humidificateur sous le poids additionnel des bidons d'eau. Installez des montures sous les roulettes du devant (voir page 23).
L'écran d'affichage clignote ou le ventilateur bouge un peu lorsque le cordon de l'humidificateur est branché.	<ul style="list-style-type: none"> Normal. 	<ul style="list-style-type: none"> Aucune action n'est requise.
Affichage alterné de la lettre « F » et du pourcentage d'humidité de la pièce.	<ul style="list-style-type: none"> Le réservoir est vide. 	<ul style="list-style-type: none"> Remplissez l'humidificateur d'eau.
Affichage alterné des lettres « CF » et du pourcentage d'humidité de la pièce.	<ul style="list-style-type: none"> Le filtre peut être sale. 	<ul style="list-style-type: none"> Remplacez le filtre.

MISE EN GARDE : Utilisez seulement un bactériostatique agréé par l'agence de protection de l'environnement. L'utilisation d'autres produits de traitement de l'eau risque d'endommager les éléments filtrants. N'utilisez en aucun cas des produits de traitement de l'eau conçus pour des humidificateurs Ultrasonic ou Roto Belt.

Pièces de rechange

Liste des pièces de rechange pour l'humidificateur d'air MoistAIR®
Modèle N° HD14070



Pièces de rechange

Liste des pièces de rechange pour l'humidificateur d'air MoistAIR® Modèle N° HD14070

Commandez toujours par numéro de pièce et non pas par numéro de légende

N° légende	N° pièce	Désignation
1	828741-2	Couvercle fixe
2	828855-1	Couvercle pivotant
3	831680-1	Ensemble des commandes
4	824690	« Bouchon à remplissage latéral »
5	828192	Bidon de gauche (inclut les légendes N° 4 et 7)
6	828726	Bidon de droite (inclut les légendes N° 4 et 7)
7	509229-1	Bouchon de l'ensemble de valve
8	828199-10	Bâti
9	823726	Rail de poussée
10	STD601107	* Vis à tête cylindrique large Ty « AB » N° 10 x 3/4
11	828515	Roulettes doubles
12	830560-1	Support de filtre inférieur
13	HDC12	* Filtre évaporateur
14	828534	Support, moteur
15	828115-1	Moteur
16	822406-1	Ventilateur
17	828197	Support de filtre supérieur
18	824101	Languette de retenue de flotteur
19	828200-3	Flotteur indiquant le niveau d'eau
20	828920	Montures de roulettes (deux)
□	SP6647	Mode d'emploi (n'apparaît pas sur le schéma)

REMARQUE : Toute tentative de réparation de l'ensemble de commande ou du moteur par une personne autre qu'un technicien agréé peut créer un danger.

* Article de quincaillerie standard qu'il est possible de se procurer localement.

• Article en stock □ Achetez localement ou téléphonez:

Pour commander des pièces détachées, appeler les numéros de téléphone indiqués:

États-Unis : 1-800-547-3888

Canada : 1-888-744-4687

Garantie

MoistAIR® PRODUCTS POLITIQUE DE GARANTIE D'HUMIDIFICATEUR

ENTREE EN VIGUEUR LE 1 ER AVRIL 2008:

**REÇU DE VENTES EXIGÉ COMME PREUVE D'ACHAT POUR TOUTES LES
REVENDEMENTS DE GARANTIE.**

Ce produit est garanti contre les défauts de matériel ou de fabrication pendant un an à compter de la date de la vente, sauf pour les moteurs, qui sont garantis deux ans. Cette garantie ne s'applique pas aux filtres ou aux mèches qui sont des pièces remplaçables par le client.

Cette garantie s'applique uniquement à l'acheteur original du produit lorsqu'il est acheté auprès d'un détaillant/distributeur reconnu.

Cette garantie ne s'applique pas aux dommages causés par un accident, à une mauvaise utilisation, à des modifications, des réparations non autorisées, une utilisation non autorisée, une mauvaise manipulation, une utilisation peu raisonnable, abusive, notamment l'absence de maintenance raisonnable, à l'usure normale, ni où il y a une tension connectée de plus de 5% au-dessus de la tension indiquée sur la plaque, ni à l'équipement ou produits étant mal installés ou câblés ou entretenus en violation du présent Manuel Propriétaire.

Les changements incluent la substitution de composants de marque y compris, mais non limité au traitement de bactéries et mèches.

CE PRODUIT N'EST PAS DESTINÉ À UNE UTILISATION COMMERCIALE. C'EST LA SEULE ET UNIQUE GARANTIE FOURNIE PAR LE FABRICANT EN CE QUI CONCERNE LES PRODUITS ET, DANS LA MESURE MAXIMALE PERMISE CONFORMÉMENT À LA LOI, ET EST EN LIEU ET PLACE ET EXCLUT TOUTES LES AUTRES GARANTIES ET CONDITIONS, EXPRESS OU IMPLIQUÉES, DÉCOULANT DE L'EFFET DE LA LOI OU AUTREMENT. Y COMPRIS SANS LIMITATION, LA VALEUR COMMERCIALE ET/OU L'ADÉQUATION À UN USAGE PARTICULIER.

Aucun employé, agent, distributeur ou toute autre personne n'est autorisé à donner n'importe quelles garanties ou conditions de la part du fabricant. Le client est responsable de tous les coûts occasionnés par l'enlèvement ou la réinstallation et l'expédition du produit pour réparations.

Dans le cadre des limites de cette garantie, l'acheteur avec des unités inopérantes devra entrer en contact avec le service après-vente au 800-547-3888 pour toutes formalités et instructions concernant le retour de l'unité pour réparation. Une copie du reçu de vente est nécessaire avant que l'autorisation de retourner un appareil pour réparation ne soit approuvée. Le fabricant s'engage à réparer ou remplacer le produit, à sa discrétion, sans frais pour le client avec frais de réexpédition payés par le fabricant. Il est convenu que ce type de réparation ou de remplacement est le seul recours disponible chez le fabricant et que DANS LES LIMITES PRÉVUES PAR LA LOI, LE FABRICANT N'EST PAS RESPONSABLE DE DOMMAGES D'AUCUNE SORTE, Y COMPRIS DES DÉGÂTS FORTUITS ET CONSÉCUTIFS OU PERTES DE PROFITS OU DE REVENUS.

Cette garantie sera nulle et sans effet si l'acheteur essaye de réparer ou de remplacer des pièces qui sont mécaniques ou électriques.

La garantie donne des droits légaux spécifiques aux clients, et le client peut aussi avoir d'autres droits qui varient d'une province à une autre, ou d'un état à un autre.

POUR OBTENIR DE L'AIDE TECHNIQUE, TÉLÉPHONEZ AU
(800) 547-3888 DEPUIS LES ÉTATS-UNIS OU (888) 744-4687 DEPUIS LE Canada
(Veuillez avoir le numéro de modèle à portée de la main.)

MoistAIR[®]



Essick Air Products
5800 Murray St.
Little Rock, AR 72209

Pour plus d'informations sur les humidificateurs MoistAIR[®], visitez notre site web à
www.moistair.com

© 2009

N° de pièce : SP6647

Document n° SP6647-1

Imprimé en U.S.A. 12/09