

- ✓ Produces up to 260 lbs. (118 Kgs.)* of ICE per day
- ✓ Built-in application storage of 100 lbs. (45 Kgs.)
- ✓ Low profile - 39 inches (991 mm) tall
- ✓ Only 24 Inches (607 mm) wide



ICE-O-Matic is the Best ICE Making Solution for: Hard Water, Food Safety and Tight Spaces

Problem

Food Safety

Food safety concerns about slime- and odor-causing bacteria

Hard Water

Scaling due to hard water slows Ice production

Tight-Fitting Spaces

Inadequate air flow due to tight-fitting spaces reduces Ice production

Dirty Air Filter

Forget to change the air filter?

Solution

PURE ICE® - Exclusively by ICE-O-Matic

Built-in antimicrobial protection for the life of the machine prevents bacteria and slime fungus growth. ICE-O-Matic's optional water filtration system provides protection against unpleasant tastes, odors and scale formation.

Harvest Assist

Consistent ICE production 24 / 7 for the life of the machine, while reducing operating costs

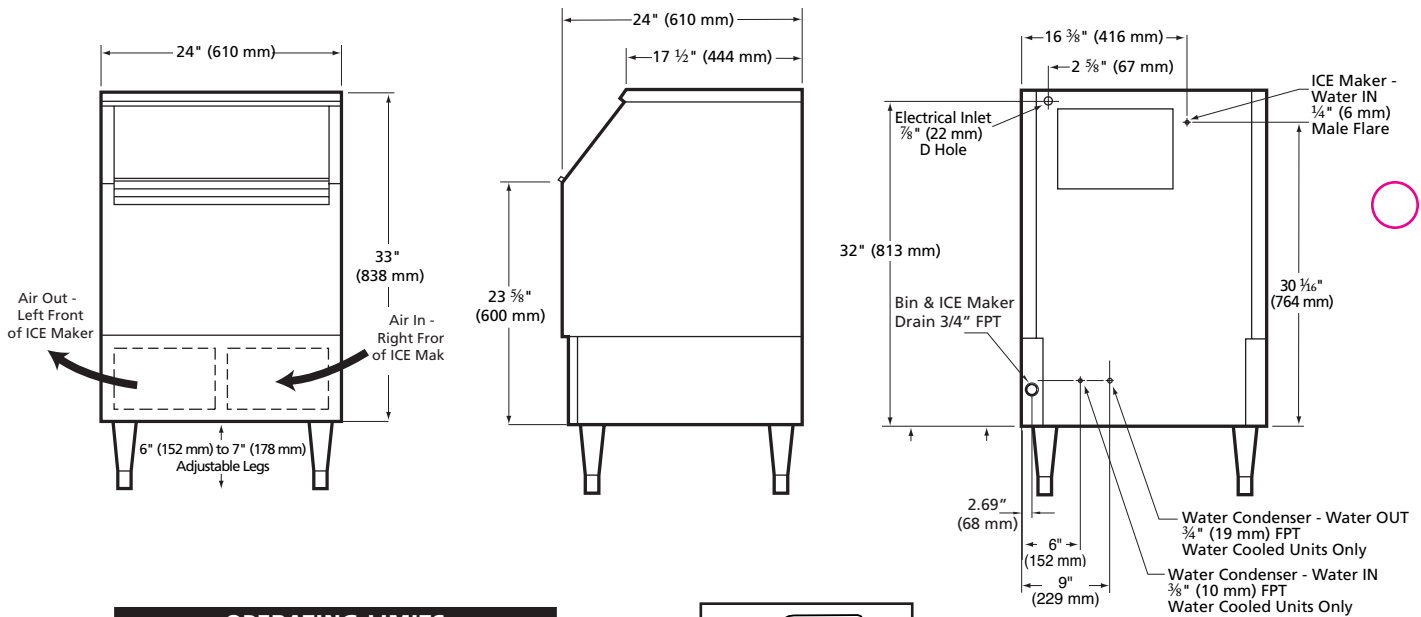
Front Air Discharge

Air is drawn in and exhausted from the front - no side clearance required

Filter-Free Air

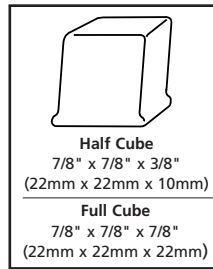
No air filter to change

ICEU 220 Series Cube ICE Maker



OPERATING LIMITS

Ambient Temp. Range	50° - 110°F (10° - 43°C)
Air & Water	50° - 110°F (10° - 43°C)
Water Temp. Range	40° - 100°F (4.5° - 38°C)
Water Pressure ICE Maker	Min. 20 psi (1.4 bar)
Water in	Max. 60 psi (6.9 bar)
Condenser Inlet Water (Water cooled only)	Min. 20 psi (1.4 bar) Max. 60 psi (6.9 bar)



ICE PRODUCTION CHART POUNDS (KILOGRAMS) PER 24 HOURS

		ICEU 220			ICEU 226			ICEU 225		
Conds. Unit	Air Temp. °F (°C)	Water Temp. °F (°C)			Water Temp. °F (°C)			Water Temp. °F (°C)		
		80°(27°)	70°(21°)	50°(10°)	80°(27°)	70°(21°)	50°(10°)	80°(27°)	70°(21°)	50°(10°)
Air Cooled	90° (32°)	163 (74)	175 (80)	200 (91)	156 (71)	168 (76)	197 (90)	133 (60)	143 (65)	170 (77)
	80° (27°)	185 (84)	199 (91)	219 (100)	185 (84)	199 (91)	219 (100)	161 (73)	173 (79)	191 (87)
	70° (21°)	201 (91)	216 (98)	238 (108)	204(93)	219 (100)	241 (110)	178 (81)	192 (87)	211 (96)
Water Cooled	90° (32°)	205 (93)	220 (100)	236 (107)	179 (81)	192 (87)	208 (95)	162 (74)	174 (79)	188 (86)
	80° (27°)	210 (95)	225 (102)	248 (113)	186 (85)	200 (91)	220 (100)	168 (77)	181 (82)	199 (91)
	70° (21°)	220 (100)	236 (107)	260 (118)	196 (89)	211 (96)	232 (105)	178 (81)	191 (87)	210 (95)

- 90° / 70° figures are rated in accordance with ARI Standard 810. All remaining points are mathematical estimates.
- All specifications and performance data are subject to normal manufacturing variances.
- Application bin storage is 100 lbs. (45 Kgs.) = 90% of Internal Volume x 34 lbs. Per Cubic Foot
- ARI bin storage is 74 lbs. (34 Kgs.) = 80% of Internal Volume x 30 lbs. Per Cubic Foot

ORDERING AND SPECIFICATION INFORMATION

Model No.	Cond. Unit	ICE Production per 24 hrs. at 70° Air/50° Water lbs. (Kgs.)	ICE Production per 24 hrs. at 90° Air/70° Water lbs. (Kgs.)	Water Used-Gals. (Lits.) per 100 lbs. of ICE 90° Air/70° Water		Kilowatts Used per 100 lbs. of ICE 90° Air 70° Water	Btuh	Voltage Characteristics	No. of Wires	Min. Circuit Amp.	Max. Fuse Size	Shipping Weight lbs. (Kgs.)	
				ICE Prod. Use	Cond. Use								
60 Hz	ICEU220*A	Air	238 (108)	175 (80)	30.3 (115)	n/a	8.8	1570	115/60/1	3	11.9	15	175 (80)
	ICEU220*W	Water	260 (118)	220 (100)	35.2 (133)	173 (655)	6.0	1570	115/60/1	3	8.9	15	175 (80)
50 Hz	ICEU226*A	Air	241 (110)	168 (76)	30.6 (116)	n/a	8.5	2170	208-230/60/1	3	6	15	175 (80)
	ICEU226*W	Water	232 (105)	192 (87)	36.3 (137)	166.9 (632)	6.6	2170	208-230/60/1	3	4.4	15	175 (80)
50 Hz	ICEU225*A	Air	211 (96)	143 (65)	32.7 (124)	n/a	8.8	1720	230/50/1	3	4.9	15	175 (80)
	ICEU225*W	Water	210 (95)	174 (95)	36.6 (139)	156.3 (592)	6.3	1720	230/50/1	3	4.1	15	175 (80)

* represents cube size. For full cube substitute an "F", for half cube substitute an "H". Please note: air-cooled units require 6" (152 mm) clearance for air intake and exhaust.



We reserve the right to make changes in design and construction at any time without obligation.
2004 ©ICE-O-Matic Rev Code: 1020B-09/04-55

ICE-O-Matic 11100 E. 45th Avenue, Denver, CO 80239
Tel. 303 371-3737 Fax. 303 371-6296 www.iceomatic.com