



# ***Manitowoc Indigo™ Series Ice Machines***

## **Installation, Use & Care Manual**

This manual is updated as new information and models are released.

Visit our website for the latest manual. [www.manitowocice.com](http://www.manitowocice.com)

**This manual contains English and French text**

# Table of Contents

---

## Section 1

### General Information

|  |   |
|--|---|
| <b>Safety Notices</b> .....                | 5 |
| <b>Procedural Notices</b> .....            | 5 |
| <b>Read These Before Proceeding:</b> ..... | 5 |
| <b>Model Numbers</b> .....                 | 7 |
| Ice Deflector .....                        | 7 |
| Bin Installation .....                     | 7 |
| Control Panel Bezel .....                  | 8 |
| LuminIce™ .....                            | 8 |
| <b>How to Read a Model Number</b> .....    | 8 |

## Section 2

### Installation Instructions

|  |    |
|--|----|
| <b>Location of Ice Machine</b> .....                                   | 9  |
| <b>Clearance Requirements</b> .....                                    | 9  |
| <b>Ice Machine Heat of Rejection</b> .....                             | 10 |
| <b>Removing Drain Plug and Leveling the Ice Storage Bin</b> .....      | 10 |
| <b>Air Baffle</b> .....  | 10 |
| <b>Electrical Service</b> .....  | 11 |
| Voltage .....  | 11 |
| Fuse/Circuit Breaker .....   | 11 |
| Minimum Circuit Ampacity .....   | 11 |
| Electrical Requirements .....  | 11 |
| Ground Fault Circuit Interrupter .....                                 | 11 |
| Minimum Power Cord Specifications .....                                | 11 |
| <b>Maximum Breaker Size &amp; Minimum Circuit Amperage Chart</b> ..... | 12 |
| <b>Water Supply and Drain Requirements</b> .....                       | 13 |
| Water Supply .....   | 13 |
| Water Inlet Lines .....  | 13 |
| Drain Connections .....  | 13 |
| <b>Water Supply and Drain Line Sizing/Connections</b> .....            | 14 |
| Water-Cooled Condenser Water Pressure .....                            | 14 |
| Cooling Tower Applications (Water-Cooled Models) .....                 | 14 |
| Remote Condenser/Line Set Installation .....                           | 15 |
| Remote Ice Machines Refrigerant Charge .....                           | 15 |
| General .....  | 16 |
| Guidelines for Routing Line Sets .....                                 | 16 |
| Calculating Remote Condenser Installation Distances .....              | 17 |
| Lengthening or Reducing Line Set Lengths .....                         | 18 |
| Connecting A Line Set .....  | 18 |
| Remote Receiver Service Valve .....                                    | 18 |

## Table of Contents (continued)

|   |           |
|---|-----------|
| <b>Remote Ice Machine Usage with Non-Manitowoc Multi-Circuit Condensers . . .</b> | <b>19</b> |
| Warranty . . . . .  | 19        |
| Head Pressure Control Valve . . . . .   | 19        |
| Fan Motor . . . . .   | 19        |
| Internal Condenser Volume . . . . .   | 19        |
| Condenser $\Delta T$ . . . . .  | 19        |
| Refrigerant Charge . . . . .  | 19        |
| Quick Connect Fittings . . . . .  | 19        |
| Non-Manitowoc Multi-Circuit Condenser Sizing Chart . . . . .                      | 20        |
| <b>Installation Check List . . . . .</b>  | <b>21</b> |
| <b>Additional Checks for Remote Models . . . . .</b>                              | <b>21</b> |
| <b>Before Starting the Ice Machine . . . . .</b>                                  | <b>21</b> |
| Set the Time and Date . . . . .   | 22        |
| Set the Language, Time and Date . . . . .   | 23        |
| Factory Defaults . . . . .  | 24        |

### Section 3 Operation

|  |           |
|--|-----------|
| <b>Control Panel Features . . . . .</b>      | <b>25</b> |
| Buttons . . . . .                            | 25        |
| Display Panel . . . . .                      | 25        |
| <b>Overview of Menu Navigation . . . . .</b> | <b>26</b> |
| <b>Display Panel Navigation . . . . .</b>    | <b>27</b> |
| <b>Alerts and Messages . . . . .</b>         | <b>27</b> |
| <b>Main Menu . . . . .</b>                   | <b>28</b> |
| <b>Machine Info Menu . . . . .</b>           | <b>28</b> |
| <b>Password Entry . . . . .</b>              | <b>28</b> |
| Reset Password To Factory Defaults . . . . . | 28        |
| <b>Set-Up Menu . . . . .</b>                 | <b>29</b> |
| Language . . . . .                           | 29        |
| Time & Date . . . . .                        | 29        |
| Time Configuration . . . . .                 | 29        |
| Units . . . . .                              | 30        |
| Ice Clarity . . . . .                        | 30        |
| LCD Brightness . . . . .                     | 30        |
| Password On . . . . .                        | 30        |
| Edit password . . . . .                      | 30        |
| Clean Minder . . . . .                       | 30        |
| AuCS Runtime . . . . .                       | 30        |
| Air Filter . . . . .                         | 31        |
| Water Filter . . . . .                       | 31        |
| LuminIce™ Reminder . . . . .                 | 31        |
| USB Setup . . . . .                          | 31        |
| Factory Defaults . . . . .                   | 31        |
| Energy Saver Menu . . . . .                  | 32        |
| Ice Program . . . . .                        | 32        |
| Water Miser . . . . .                        | 32        |
| Statistics . . . . .                         | 32        |

## Table of Contents (continued)

---

|   |           |
|---|-----------|
| <b>Service Menu</b> .....                     | <b>33</b> |
| Data History .....                            | <b>33</b> |
| Real Time Data .....                          | <b>33</b> |
| Diagnostics .....                             | <b>33</b> |
| Manual Harvest .....                          | <b>33</b> |
| <b>Ice Making Sequence Of Operation</b> ..... | <b>34</b> |
| Safety Limits .....                           | <b>34</b> |
| Safe Operation Mode .....                     | <b>34</b> |
| <b>Operational Checks</b> .....               | <b>35</b> |
| General .....                                 | <b>35</b> |
| Ice Thickness Check .....                     | <b>35</b> |

### **Section 4 Maintenance**

|  |           |
|--|-----------|
| <b>Cleaning and Sanitizing</b> .....                     | <b>37</b> |
| General .....  | <b>37</b> |
| Cleaning/Sanitizing Procedure .....                      | <b>37</b> |
| Preventative Maintenance Cleaning Procedure .....        | <b>37</b> |
| Exterior Cleaning .....                                  | <b>37</b> |
| <b>Cleaning / Sanitizing Procedure</b> .....             | <b>38</b> |
| Cleaning Procedure .....                                 | <b>38</b> |
| Sanitizing Procedure .....                               | <b>39</b> |
| <b>Parts Removal for Cleaning/Sanitizing</b> .....       | <b>40</b> |
| <b>Preventative Maintenance Cleaning Procedure</b> ..... | <b>41</b> |
| <b>Door Removal</b> .....                                | <b>41</b> |
| <b>Cleaning the Condenser</b> .....                      | <b>42</b> |
| General .....  | <b>42</b> |
| <b>Removal from Service/Winterization</b> .....          | <b>42</b> |
| Water-Cooled Ice Machines .....                          | <b>42</b> |

### **Section 5 Customer Support**

|   |           |
|---|-----------|
| <b>Checklist</b> .....                                | <b>43</b> |
| <b>Safety Limit Feature</b> .....                     | <b>44</b> |
| <b>Commercial Ice Machine Warranty</b> .....          | <b>45</b> |
| <b>Residential Ice Machine Limited Warranty</b> ..... | <b>46</b> |

# Section 1

## General Information

---

### Safety Notices

As you work on Manitowoc equipment, be sure to pay close attention to the safety notices in this handbook. Disregarding the notices may lead to serious injury and/or damage to the equipment.

Throughout this handbook, you will see the following types of safety notices:

#### **Warning**

Text in a Warning box alerts you to a potential personal injury situation. Be sure to read the Warning statement before proceeding, and work carefully.

#### **Caution**

Text in a Caution box alerts you to a situation in which you could damage the equipment. Be sure to read the Caution statement before proceeding, and work carefully.

### Procedural Notices

As you work on Manitowoc equipment, be sure to read the procedural notices in this handbook. These notices supply helpful information which may assist you as you work.

Throughout this handbook, you will see the following types of procedural notices:

#### **Important**

Text in an Important box provides you with information that may help you perform a procedure more efficiently. Disregarding this information will not cause damage or injury, but it may slow you down as you work.

NOTE: Text set off as a Note provides you with simple, but useful, extra information about the procedure you are performing.

### Read These Before Proceeding:

#### **Caution**

Proper installation, care and maintenance are essential for maximum performance and trouble-free operation of your equipment. Visit our website [www.manitowocfsg.com](http://www.manitowocfsg.com) for manual updates, translations, or contact information for service agents in your area.

#### **Important**

Routine adjustments and maintenance procedures outlined in this handbook are not covered by the warranty.

#### **Warning**

Read this manual thoroughly before operating, installing or performing maintenance on the equipment. Failure to follow instructions in this manual can cause property damage, injury or death.

#### **Warning**

Do not use electrical appliances or accessories other than those supplied by Manitowoc for your ice machine model.

#### **Warning**

This equipment contains high voltage electricity and refrigerant charge. Installation and repairs are to be performed by properly trained technicians aware of the dangers of dealing with high voltage electricity and refrigerant under pressure. The technician must also be certified in proper refrigerant handling and servicing procedures. All lockout and tag out procedures must be followed when working on this equipment.

#### **Warning**

Do not damage the refrigeration circuit when installing, maintaining or servicing the unit.

#### **Warning**

Do not operate equipment that has been misused, abused, neglected, damaged, or altered/modified from that of original manufactured specifications. This appliance is not intended for use by persons (including children) with reduced physical, sensory or mental capabilities, or lack of experience and knowledge, unless they have been given supervision concerning use of the appliance by a person responsible for their safety. Do not allow children to play with this appliance.

 **Warning**

All covers and access panels must be in place and properly secured, before operating this equipment.

 **Warning**

Do not obstruct machine vents or openings.

 **Warning**

Do not store gasoline or other flammable vapors or liquids in the vicinity of this or any other appliance.

 **Warning**

Do not clean with water jet.

 **Warning**

It is the responsibility of the equipment owner to perform a Personal Protective Equipment Hazard Assessment to ensure adequate protection during maintenance procedures.

 **Warning**

Two or more people are required to move this equipment to prevent tipping.

 **Warning**

Manitowoc ice machines require a deflector when installed on an ice storage bin. Prior to using a non-Manitowoc ice storage system with Manitowoc ice machines, contact the manufacturer to assure their ice deflector is compatible with Manitowoc ice machines.

 **Warning**

Some 50 hz models may contain up to 150 grams of R290 (propane) refrigerant. R290 (propane) is flammable in concentrations of air between approximately 2.1% and 9.5% by volume (LEL lower explosion limit and UEL upper explosion limit). An ignition source at a temperature higher than 470°C is needed for a combustion to occur. Refer to nameplate to identify the type of refrigerant in your equipment. Only trained and qualified personnel aware of the dangers are allowed to work on the equipment.

 **Warning**

When using electric appliances, basic precautions must always be followed, including the following:

- a. Read all the instructions before using the appliance.
- b. To reduce the risk of injury, close supervision is necessary when an appliance is used near children.
- c. Do not contact moving parts.
- d. Only use attachments recommended or sold by the manufacturer.
- e. Do not use outdoors.
- f. For a cord-connected appliance, the following must be included:
  - Do not unplug by pulling on cord. To unplug, grasp the plug, not the cord.
  - Unplug from outlet when not in use and before servicing or cleaning.
  - Do not operate any appliance with a damaged cord or plug, or after the appliance malfunctions or is dropped or damaged in any manner. Contact the nearest authorized service facility for examination, repair, or electrical or mechanical adjustment.
- g. Follow applicable lock out tag out procedures before working on equipment.
- h. Connect to a properly grounded outlet only.

 **Warning**

Remove all ice machine panels before lifting and installing.

 **Warning**

Objects placed or dropped in the bin can affect human health and safety. Locate and remove any objects immediately.

**Model Numbers**

This manual covers the following base models:

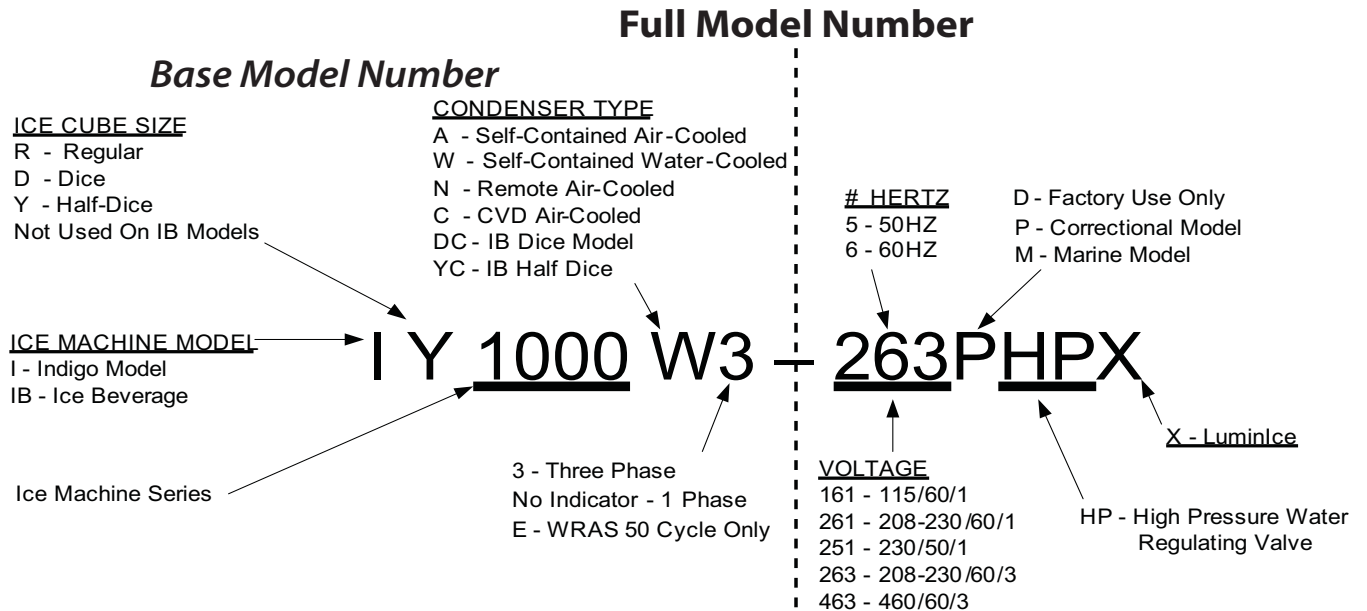
| Self-Contained Air-Cooled                 | Self-Contained Water-Cooled              | Remote                                |
|---|--|---------------------------------------|
| ID0302A - IY0304A                         | ID0303W - IY0305W                        | ----                                  |
| ID0306A - IY0306A                         | ID0306W - IY0306W                        | ----                                  |
| ID0322A - IY0324A<br>IYP0324A             | ID0323W<br>IY0325W                       | ----                                  |
| ID0452A - IY0454A                         | ID0453W - IY0455W                        | ----                                  |
| ID0456A - IY0456A                         | ID0456W - IY0456W                        | ----                                  |
| IR0500A<br>ID0502A<br>IY0504A<br>IYP0504A | IR0501W<br>ID0503W<br>IY0505W<br>----    | IR0590N<br>ID0592N<br>IY0594N<br>---- |
| IR0520A<br>ID0522A<br>IY0524A             | IR0521W<br>ID0523W<br>IY0525W            | ----                                  |
| ID0602A<br>IY0604A                        | ID0603W<br>IY0605W                       | ID0692N<br>IY0694N                    |
| ID0606A<br>IY0606A                        | ID0606W & ID0606WM<br>IY0606W & IY0606WM | ID0696N<br>IY0696N                    |
| IR0850A<br>ID0852A<br>IY0854A             | IR0851W<br>ID0853W<br>IY0855W            | IR0890N<br>ID0892N<br>IY0894N         |

| Self-Contained Air-Cooled     | Self-Contained Water-Cooled                         | Remote                        |
|-------------------------------|---|-------------------------------|
| IR0906A<br>ID0906A<br>IY0906A | IR0906W<br>ID0906W & ID0906WM<br>IY0906W & IY0906WM | IR0996N<br>ID0996N<br>IY0996N |
| ID1002A<br>IY1004A            | ID1003W & ID1003WM<br>IY1005W & IY1005WM            | ID1092N<br>IY1094N            |
| ID1106A<br>IY1106A            | ID1106W<br>IY1106W                                  | ID1196N<br>IY1196N            |
| ID1202A - IY1204A             | ID1203W - IY1205W                                   | ---                           |
| ID1402A<br>IY1404A            | ID1403W - IY1405W<br>ID1403WM                       | ID1492N<br>IY1494N            |
| ID1406A<br>IY1406A            | ID1406W & ID1406WM<br>IY1406W & IY1406WM            | ID1496N<br>IY1496N            |
| IR1800A<br>ID1802A<br>IY1804A | IR1801W<br>ID1803W & ID1803WM<br>IY1805W & IY1805WM | IR1890N<br>ID1892N<br>IY1894N |
| IR1806A<br>ID1806A<br>IY1806A | IR1806W<br>ID1806W & ID1806WM<br>IY1806W & IY1806WM | IR1896N<br>ID1896N<br>IY1896N |

NOTE: Model numbers ending in HP indicate High Pressure water regulating valve. Standard pressure = 150 psi (10.34 bar) High pressure = 350 psi (24.13 bar).

**How to Read a Full Model Number**

**HEAD SECTIONS**



**ICE DEFLECTOR**

An ice deflector is required when the ice machine is installed on a bin. An ice deflector is not required when the ice machine is installed on a dispenser.

**BIN LEVEL ACCESSORY**

The bin level accessory connects to the circuit board and allows bin level adjustment of Indigo ice machines on B model bins. Installation instructions are included with the accessory. A bin level sensor is required to set a lower level of ice in the bin.

**BIN INSTALLATION**

- All ice machines installed on a bin require an ice deflector.
- Manitowoc bins have a deflector installed and require no modifications when used with a forward facing evaporator.
- Ice machines with multiple evaporators require a deflector kit.
- Align sides and back of ice machine with sides and back of bin, when placing ice machine on bin.

**CONTROL PANEL BEZEL**

The ice machine ships with two bezels:

- The standard bezel allows the display screen to be viewed and the menu, arrows and check mark buttons can be accessed.
- The key guard bezel allows the display screen to be viewed and covers all buttons to prevent unauthorized settings from being entered. The ice machine door must be opened to access the control panel.

To change the bezel, open the ice machine door, remove the two screws securing the bezel and slide the bezel to the right while lifting forward.

An optional cover that completely hides the display is available as a sales kit, and is available through your local distributor or service company.

**LUMINICE™**

The LuminIce™ growth inhibitor recirculates the air in the ice machine foodzone over a UV bulb. This process will inhibit the growth of common micro-organisms on all exposed foodzone surfaces.

- LuminIce™ bulbs require replacement on a yearly basis.
- The control board can be set to automatically display a reminder after 12 months. Refer to LuminIce™ in section 3 for setup procedures.

**Cleanup Procedure for Accidental Bulb Breakage**

The cleanup procedure is identical to the procedure used to clean up compact fluorescent (CFL) or fluorescent tube lights. These lights contain a small amount of mercury sealed within a glass tube. Breaking these types of lights will release mercury and mercury vapor. The broken bulb can continue to release mercury vapor until it is cleaned up and removed.

The latest EPA procedures can be viewed on their website at [www.epa.gov/cfl/cflcleanup.html](http://www.epa.gov/cfl/cflcleanup.html).



# Section 2

## Installation Instructions

### Location of Ice Machine

The location selected for the ice machine must meet the following criteria. If any of these criteria are not met, select another location.

- The location must be free of airborne and other contaminants.
- The air temperature must be at least 35°F (1.6°C), but must not exceed 110°F (43.4°C).
- Remote air cooled - The air temperature must be at least -20°F (-29°C), but must not exceed 120°F (49°C).
- The location must not be near heat-generating (ovens, dishwashers, etc) equipment or in direct sunlight and must be protected from weather.
- The location must not obstruct air flow through or around the ice machine. Refer to the clearance requirement chart.

These ice machines are intended for use in applications such as:

- Staff kitchen areas in shops, offices and other work environments
- Clients in hotels, motels, farmhouses, bed and breakfast and other residential type environments
- Catering and similar non-retail applications

** Warning**

Two or more people or a lifting device are required to lift this appliance.

### Clearance Requirements

** Warning**

Do not obstruct ice machine vents or openings

| I0300     | Self-Contained Air-Cooled | Self-Contained Water-Cooled* |
|-----------|---------------------------|------------------------------|
| Top/Sides | 16" (40.6 cm)             | 8" (20.3 cm)                 |
| Back      | 5" (12.7 cm)              | 5" (12.7 cm)                 |

| I0450/I0500/<br>I0600/I0850/I0900/I1000/I1100 | Self-Contained Air-Cooled | Water-Cooled and Remote* |
|---|---------------------------|--------------------------|
| Top/Sides                                     | 8" (20.3 cm)              | 8" (20.3 cm)             |
| Back  | 5" (12.7 cm)              | 5" (12.7 cm)             |

| I0320/I0520 | Self-Contained Air-Cooled | Self-Contained Water-Cooled* |
|-------------|---------------------------|------------------------------|
| Top/Sides   | 12" (30.5 cm)             | 8" (20.3 cm)                 |
| Back        | 5" (12.7 cm)              | 5" (12.7 cm)                 |

| I0500<br>230/50/1 Tropical Rating | Self-Contained Air-Cooled |
|-----------------------------------|---------------------------|
| Top                               | 24" (61.0 cm)             |
| Sides/Back                        | 12" (30.5 cm)             |

| I1200 | Self-Contained Air-Cooled | Water-Cooled and Remote* |
|-------|---------------------------|--------------------------|
| Top   | 8" (20.3 cm)              | 8" (20.3 cm)             |
| Sides | 12" (30.5 cm)             | 8" (20.3 cm)             |
| Back  | 5" (12.7 cm)              | 5" (12.7 cm)             |

| I1400/I1800 | Self-Contained Air-Cooled | Water-Cooled and Remote* |
|-------------|---------------------------|--------------------------|
| Top/Sides   | 24" (61.0 cm)             | 8" (20.3 cm)             |
| Back        | 12" (30.5 cm)             | 5" (12.7 cm)             |

\*There is no minimum clearance required for water-cooled or remote ice machines. This value is recommended for efficient operation and servicing only.

** Caution**

The ice machine must be protected if it will be subjected to temperatures below 32°F (0°C). Failure caused by exposure to freezing temperatures is not covered by the warranty.

**Ice Machine Heat of Rejection**

| Series Ice Machine | Heat of Rejection |       |
|--------------------|-------------------|-------|
|                    | Air Conditioning  | Peak  |
| I0300              | 4600              | 5450  |
| I0320              | 3300              | 4500  |
| I0450              | 5400              | 6300  |
| I0500              | 6100              | 6900  |
| I0520              | 5400              | 6300  |
| I0600              | 9000              | 13900 |
| I0850              | 13000             | 16000 |
| I0906              | 13000             | 16000 |
| I1000              | 16250             | 18600 |
| I1100              | 16250             | 18600 |
| I1200              | 20700             | 24500 |
| I1400              | 23500             | 27000 |
| I1800              | 30000             | 35000 |

B.T.U./Hour

Because the heat of rejection varies during the ice making cycle, the figure shown is an average.

\* Indicates Preliminary Data

Ice machines, like other refrigeration equipment, reject heat through the condenser. It is helpful to know the amount of heat rejected by the ice machine when sizing air conditioning equipment where self-contained air-cooled ice machines are installed.

This information is also necessary when evaluating the benefits of using water-cooled or remote condensers to reduce air conditioning loads. The amount of heat added to an air conditioned environment by an ice machine using a water-cooled or remote condenser is negligible.

Knowing the amount of heat rejected is also important when sizing a cooling tower for a water-cooled condenser. Use the peak figure for sizing the cooling tower.

**Removing Drain Plug and Leveling the Ice Storage Bin**

**Warning**

To avoid instability the bin/dispenser must be installed in an area capable of supporting the weight of the bin/dispenser, ice machine and a full bin of ice (48" models 1000 lbs - 454 kg, 30" models 750 lbs 340 kgs). The bin/dispenser must be level side to side and front to back before installing the ice machine.

1. Remove threaded plug from drain fitting.
2. Screw the leveling legs onto the bottom of the bin.
3. Screw the foot of each leg in as far as possible.

**Caution**

The legs must be screwed in tightly to prevent them from bending.

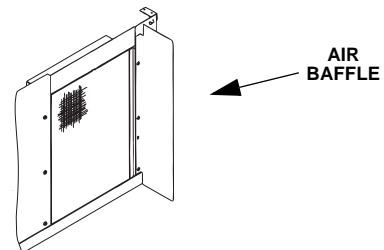
4. Move the bin into its final position.
5. Level the bin to assure that the bin door closes and seals properly. Use a level on top of the bin. Turn the base of each foot as necessary to level the bin.
6. Inspect bin gasket prior to ice machine installation. (Manitowoc bins come with a closed cell foam gasket installed along the top surface of the bin.)
7. Remove all panels from ice machine before lifting and installing on bin. Remove both front panels, top cover, left and right side panels.

**Air Baffle**

**Self-Contained Air-cooled Only**

The air-cooled baffle prevents condenser air from recirculating. To install:

1. Loosen the back panel screws next to the condenser.
2. Align the keyhole slots in the air baffle with the screw holes and slide the baffle down to lock in place.



## Electrical Service

### Warning

All wiring must conform to local, state and national codes.

### VOLTAGE

The maximum allowable voltage variation is  $\pm 10\%$  of the rated voltage at ice machine start-up (when the electrical load is highest).

### Warning

The machine must be grounded in accordance with national and local electrical codes.

All electrical work, including wire routing and grounding, must conform to local, state and national electrical codes. The following precautions must be observed:

- The ice machine must be grounded.
- A separate fuse/circuit breaker must be provided for each ice machine.
- A qualified electrician must determine proper wire size dependent upon location, materials used and length of run (minimum circuit ampacity can be used to help select the wire size).
- The maximum allowable voltage variation is  $\pm 10\%$  of the rated voltage at ice machine start-up (when the electrical load is highest).
- Check all green ground screws in the control box and verify they are tight before starting the ice machine.

### Caution

Observe correct polarity of incoming line voltage. Incorrect polarity can lead to erratic ice machine operation. Operate equipment only on the type of electricity indicated on the specification plate.

### FUSE/CIRCUIT BREAKER

A separate fuse/circuit breaker must be provided for each ice machine.

### MINIMUM CIRCUIT AMPACITY

The minimum circuit ampacity is used to help select the wire size of the electrical supply. (Minimum circuit ampacity is not the ice machine's running amp load.)

The wire size (or gauge) is also dependent upon location, materials used, length of run, etc., so it must be determined by a qualified electrician.

### ELECTRICAL REQUIREMENTS

Refer to Ice Machine Model/Serial Plate for voltage/ampere specifications.

### GROUND FAULT CIRCUIT INTERRUPTER

Ground Fault Circuit Interrupter (GFCI/GFI) protection is a system that shuts down the electric circuit (opens it) when it senses an unexpected loss of power, presumably to ground. Manitowoc Ice does not recommend the use of a GFCI/GFI circuit protection with our equipment. If code requires the use of a GFCI/GFI then you must follow the local code. The circuit must be dedicated, sized properly and there must be a panel GFCI/GFI breaker. We do not recommend GFCI/GFI outlets as they are known for more intermittent nuisance trips than panel breakers.

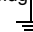
### MINIMUM POWER CORD SPECIFICATIONS

| Maximum Breaker Size | Minimum Wire Size | Maximum Length of Power Cord |
|----------------------|-------------------|------------------------------|
| 15 amp               | 14 gauge          | 6 feet (1.83 m)              |
| 20 amp               | 12 gauge          | 6 feet (1.83 m)              |
| 30 amp               | 10 gauge          | 6 feet (1.83 m)              |
| 40 amp               | 8 gauge           | 6 feet (1.83 m)              |

If a power cord is used, the wire size to the receptacle is dependent upon location, materials used, length of run, etc., so it must be determined by a qualified electrician. Local, state or national requirements will supersede our minimum requirements.

### For United Kingdom Only

As the colors of the wires in the mains lead of the appliance may not correspond with the colored markings identifying the terminals in your plug, proceed as follows:

- The wire which is colored **green and yellow** must be connected to the terminal in the plug which is marked with the letter E or by the earth ground symbol  or colored green or green and yellow.
- The wire colored **blue** must be connected to the terminal which is marked with the letter N or colored black.
- The wire colored **brown** must be connected to the terminal which is marked with the letter L or colored red.

**Maximum Breaker Size & Minimum Circuit Amperage Chart**

**Important**

Due to continuous improvements, this information is for reference only. Please refer to the ice machine serial number tag to verify electrical data. Serial tag information overrides information listed on this page.

| Ice Machine | Voltage/ Phase/ Cycle | Air-Cooled                   |                      | Water Cooled                 |                      | Remote                       |                      |
|-------------|-----------------------|------------------------------|----------------------|------------------------------|----------------------|------------------------------|----------------------|
|             |                       | Maximum Fuse/Circuit Breaker | Minimum Circuit Amps | Maximum Fuse/Circuit Breaker | Minimum Circuit Amps | Maximum Fuse/Circuit Breaker | Minimum Circuit Amps |
| I0300       | 115/1/60              | 15                           | 10.8                 | 15                           | 10.0                 | N/A                          | N/A                  |
|             | 230/1/50              | 15                           | 6.1                  | 15                           | 5.6                  | N/A                          | N/A                  |
|             | 230/1/60              | 15                           | 6.1                  | 15                           | 5.7                  | N/A                          | N/A                  |
| I0306       | 115/1/60              | 15                           | 10.8                 | 15                           | 10.0                 | N/A                          | N/A                  |
|             | 230/1/50              | 15                           | 6.1*                 | 15                           | 5.6*                 | N/A                          | N/A                  |
|             | 230/1/60              | 15                           | 6.1*                 | 15                           | 5.7*                 | N/A                          | N/A                  |
| I0320       | 115/1/60              | 15                           | 11.5                 | 15                           | 10.7                 | N/A                          | N/A                  |
|             | 208-230/1/60          | 15                           | 6.0                  | 15                           | 5.6                  | N/A                          | N/A                  |
|             | 230/1/50              | 15                           | 6.0                  | 15                           | 5.6                  | N/A                          | N/A                  |
| I0450       | 115/1/60              | 20                           | 13.2                 | 20                           | 12.5                 | N/A                          | N/A                  |
|             | 208-230/1/60          | 15                           | 6.6                  | 15                           | 6.2                  | N/A                          | N/A                  |
|             | 230/1/50              | 15                           | 7.1                  | 15                           | 6.8                  | N/A                          | N/A                  |
| I0456       | 115/1/60              | 20                           | 13.2*                | 20                           | 12.5*                | N/A                          | N/A                  |
|             | 208-230/1/60          | 15                           | 6.6*                 | 15                           | 6.2*                 | N/A                          | N/A                  |
|             | 230/1/50              | 15                           | 7.1*                 | 15                           | 6.8*                 | N/A                          | N/A                  |
| I0500       | 115/1/60              | 20                           | 14.2                 | 20                           | 13.5                 | 25                           | 20.0                 |
|             | 208-230/1/60          | 15                           | 6.1                  | 15                           | 5.7                  | N/A                          | N/A                  |
|             | 230/1/50              | 15                           | 7.1                  | 15                           | 6.8                  | 15                           | 6.7                  |
| I0520       | 115/1/60              | 20                           | 14.4                 | 20                           | 13.5                 | N/A                          | N/A                  |
|             | 208-230/1/60          | 15                           | 6.1                  | 15                           | 5.7                  | N/A                          | N/A                  |
|             | 230/1/50              | 15                           | 7.1                  | 15                           | 6.8                  | N/A                          | N/A                  |
| I0600       | 208-230/1/60          | 15                           | 10.2                 | 15                           | 9.7                  | 15                           | 10.7                 |
|             | 230/1/50              | 15                           | 6.7                  | 15                           | 6.1                  | 15                           | 7.1                  |
| I0606       | 208-230/1/60          | 15                           | 11.1                 | 15                           | 10.7                 | 15                           | 11.7                 |
|             | 230/1/50              | 15                           | 6.7                  | 15                           | 6.1                  | 15                           | 7.1                  |
| I0850       | 208-230/1/60          | 20                           | 11.9                 | 20                           | 10.9                 | 20                           | 11.9                 |
|             | 208-230/3/60          | 15                           | 9.2                  | 15                           | 8.2                  | 15                           | 9.2                  |
|             | 230/1/50              | 20                           | 10.8                 | 20                           | 9.4                  | 15                           | 10.4                 |
| I0906       | 208-230/1/60          | 20                           | 12.2                 | 20                           | 11.2                 | 20                           | 12.2                 |
|             | 208-230/3/60          | 15                           | 9.7                  | 15                           | 8.7                  | 15                           | 9.7                  |
|             | 230/1/50              | 20                           | 12.2                 | 20                           | 11.2                 | 15                           | 12.2                 |
| I1000       | 208-230/1/60          | 20                           | 13.5                 | 15                           | 9.7                  | 15                           | 10.7                 |
|             | 208-230/3/60          | 15                           | 9.5                  | 15                           | 8.5                  | 15                           | 9.5                  |
|             | 230/1/50              | 20                           | 13.7                 | 20                           | 12.3                 | 20                           | 12.3                 |
|             | 380-460/3/50-60       | N/A                          | N/A                  | 15                           | 4.5                  | N/A                          | N/A                  |
| I1100       | 208-230/1/60          | 20                           | 13.5*                | 15                           | 9.7*                 | 15                           | 10.7*                |
|             | 208-230/3/60          | 15                           | 9.5*                 | 15                           | 8.5*                 | 15                           | 9.5*                 |
|             | 230/1/50              | 20                           | 13.7*                | 20                           | 12.3*                | 20                           | 12.3*                |

|              |                 |     |       |    |       |     |       |
|--------------|-----------------|-----|-------|----|-------|-----|-------|
| <b>I1200</b> | 208-230/1/60    | 25  | 25.0  | 25 | 25.0  | N/A | N/A   |
|              | 208-230/3/60    | 20  | 16.0  | 20 | 16.0  | N/A | N/A   |
|              | 230/1/50        | 20  | 13.7  | 20 | 12.3  | N/A | N/A   |
| <b>I1400</b> | 208-230/1/60    | 30  | 18.3  | 30 | 16.9  | 30  | 17.9  |
|              | 208-230/3/60    | 20  | 13.2  | 20 | 11.8  | 20  | 12.8  |
|              | 230/1/50        | 30  | 15.9  | 30 | 15.9  | 30  | 16.9  |
|              | 380-460/3/50-60 | N/A | N/A   | 15 | 6.4   | N/A | N/A   |
| <b>I1406</b> | 208-230/1/60    | 30  | 18.3* | 30 | 16.9* | 30  | 17.9* |
|              | 208-230/3/60    | 20  | 13.2* | 20 | 11.8* | 20  | 12.8* |
|              | 230/1/50        | 30  | 15.9* | 30 | 15.9* | 30  | 16.9* |
|              | 380-460/3/50-60 | N/A | N/A   | 15 | 6.4   | N/A | N/A   |
| <b>I1800</b> | 208-230/1/60    | 40  | 23.8  | 40 | 22.4  | 40  | 23.4  |
|              | 208-230/3/60    | 25  | 15.4  | 25 | 14.0  | 25  | 15.0  |
|              | 230/1/50        | 30  | 18.3  | 30 | 16.9  | 40  | 21.5* |
|              | 380-460/3/50-60 | N/A | N/A   | 15 | 6.5   | N/A | N/A   |
| <b>I1806</b> | 208-230/1/60    | 40  | 23.8* | 40 | 22.4* | 40  | 23.4* |
|              | 208-230/3/60    | 25  | 15.4* | 25 | 14.0* | 25  | 15.0* |
|              | 230/1/50        | 30  | 18.3* | 30 | 16.9* | 40  | 21.5* |
|              | 380-460/3/50-60 | N/A | N/A   | 15 | 6.5   | N/A | N/A   |

\* Preliminary Data, Subject to change

## Water Supply and Drain Requirements

### WATER SUPPLY

Local water conditions may require treatment of the water to inhibit scale formation, filter sediment, and remove chlorine odor and taste.

**Warning**

Connect to a potable water supply only.

### WATER INLET LINES

Follow these guidelines to install water inlet lines:

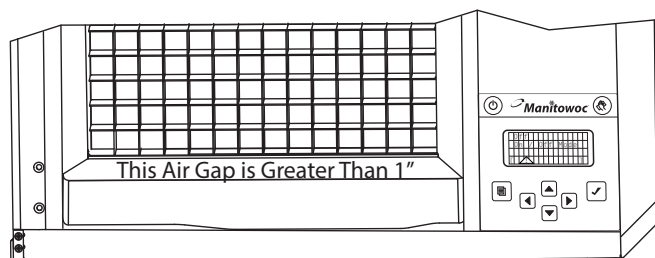
- If you are installing a Manitowoc Arctic Pure water filter system, refer to the Installation Instructions supplied with the filter system for ice making water inlet connections.
- Do not connect the ice machine to a hot water supply. Be sure all hot water restrictors installed for other equipment are working. (Check valves on sink faucets, dishwashers, etc.)
- If water pressure exceeds the maximum recommended pressure of 80 psi (552 kPa), obtain a water pressure regulator from a local plumbing supply company.
- Install a water shut-off valve for both the ice making and condenser water lines.
- Insulate water inlet lines to prevent condensation.

**Caution**

Do not apply heat to water valve inlet fitting. This will damage plastic water inlet connection.

### AIR GAP

A greater than 1 inch air gap is built into the ice machine for back-flow prevention. This air gap exceeds NSF 12 requirements for back-flow prevention.




### DRAIN CONNECTIONS

Follow these guidelines when installing drain lines to prevent drain water from flowing back into the ice machine and storage bin:

- Drain lines must have a 1.5 inch drop per 5 feet of run (2.5 cm per meter), and must not create traps.
- The floor drain must be large enough to accommodate drainage from all drains.
- Run separate bin and ice machine drain lines. Insulate them to prevent condensation.
- Vent the bin and ice machine drain to the atmosphere. Do not vent the condenser drain on water-cooled models.
- A separate auxiliary drain is located in the ice machine base to remove moisture in high humidity areas. The drain fitting is a female socket for 1/2" CPVC pipe.

**Water Supply and Drain Line Sizing/Connections**

 **Caution**

Plumbing must conform to state, local and national codes.

| Location                        | Water Temperature                   | Water Pressure   | Ice Machine Fitting  | Tubing Size Up to Ice Machine Fitting  |
|---------------------------------|-------------------------------------|--|--|--|
| <b>Ice Making Water Inlet</b>   | 35°F (2°C) Min.<br>90°F (32°C) Max. | 20 psi (140 kPa) Min.<br>80 psi (552 kPa) Max.   | 3/8" (.95 cm) Female Pipe Thread<br>1/2" (1.27 cm) FPT I3300 Only                  | 3/8" (.95 cm) min inside diameter      |
| <b>Ice Making Water Drain</b>   | ---                                 | ---  | 1/2" (1.27 cm) Female Pipe Thread  | 1/2" (1.27 cm) min inside diameter     |
| <b>Condenser Water Inlet</b>    | 90°F (32.2°C) Max.                  | <b>Standard</b><br>20 psi (140 kPa) Min.<br>150 psi (1034 kPa) Max.<br><b>High Pressure Option</b><br>20 psi (140 kPa) Min.<br>350 psi (2410 kPa) Max. | i0300 - i1200 = 3/8" Female Pipe Thread<br>i1400 - i1800 = 1/2" Female Pipe Thread |  |
| <b>Condenser Water Drain</b>    | ---                                 | ---  | 1/2" (1.27 cm) Female Pipe Thread  | 1/2" (1.27 cm) min inside diameter     |
| <b>Bin Drain</b>                | ---                                 | ---  | 3/4" (1.91 cm) Female Pipe Thread  | 3/4" (1.91 cm) minimum inside diameter |
| <b>Large Capacity Bin Drain</b> | ---                                 | ---  | 1" (2.54 cm) Male Pipe Thread  | 1" (2.54 cm) min. inside diameter      |

**WATER-COOLED CONDENSER WATER PRESSURE**

Water pressure at the condenser cannot exceed 150 psig (1034 kPa) with the standard water-regulating valve. Contact your distributor if your water pressure is greater than 150 psig (1034 kPa). A special order condensing unit is available that allows water pressure up to 350 psig (2413 kPa)

**COOLING TOWER APPLICATIONS (WATER-COOLED MODELS)**

A water cooling tower installation does not require modification of the ice machine. The water regulator valve for the condenser continues to control the refrigeration discharge pressure.

It is necessary to know the amount of heat rejection, and the pressure drop through the condenser and water valves (inlet and outlet) when using a cooling tower on an ice machine.

- Water entering the condenser must not exceed 90°F (32°C).
- Water flow through the condenser must not exceed 5 gallons (19 liters) per minute.
- Allow for a pressure drop of 7 psi (50 kPa) between the condenser water inlet and the outlet of the ice machine.
- Water exiting the condenser must not exceed 110°F (43°C).

**Important**

The Commonwealth of Massachusetts requires that all water-cooled models must be connected only to a closed loop, cooling tower system.

**Remote Condenser/Line Set Installation**

| Ice Machine       | Remote Single Circuit Condenser | Line Set*                                 |
|-------------------|---------------------------------|---|
| I0590             | JC0495                          | RT-20-R404A<br>RT-35-R404A<br>RT-50-R404A |
| I0690/I0890       | JC0895                          | RT-20-R404A<br>RT-35-R404A<br>RT-50-R404A |
| I0990/I1090/I1190 | JC0995                          | RT-20-R404A<br>RT-35-R404A<br>RT-50-R404A |
| I1490/I1890       | JC1395                          | RL-20-R404A<br>RL-35-R404A<br>RL-50-R404A |

| *Line Set | Discharge Line | Liquid Line    |
|-----------|----------------|----------------|
| RT        | 1/2" (1.27 cm) | 5/16" (.79 cm) |
| RL        | 1/2" (1.27 cm) | 3/8" (.95 cm)  |

| Air Temperature Around the Condenser |              |
|--------------------------------------|--------------|
| Minimum                              | Maximum      |
| -20°F (-29°C)                        | 120°F (49°C) |

**Important**

Manitowoc remote systems are only approved and warranted as a complete new package. Warranty on the refrigeration system will be void if a new ice machine head section is connected to pre-existing (used) tubing or remote condensers.

**REMOTE ICE MACHINES REFRIGERANT CHARGE**

Each remote ice machine ships from the factory with a refrigerant charge appropriate for installation with line sets of up to 50' (15 m). The serial tag on the ice machine indicates the refrigerant charge.

Additional refrigerant may be required for installations using line sets between 50' and 100' (15-30 m) long. If additional refrigerant is required, refer to the chart below for the correct amount to be added.


**Important**  
**EPA CERTIFIED TECHNICIANS**

If remote line set length is between 50' and 100' (15 and 30 m), add additional refrigerant to the nameplate charge. Refer to the table below for the model being worked on.


Tubing length: \_\_\_\_\_

Refrigerant added to nameplate: \_\_\_\_\_

New total refrigerant charge: \_\_\_\_\_

 **Warning**  
**Potential Personal Injury Situation**

The ice machine contains refrigerant charge. Installation of the line sets must be performed by a properly trained and EPA certified refrigeration technician aware of the **dangers of dealing with refrigerant** charged equipment.

 **Caution**

Never add more than nameplate charge to the refrigeration system for any application.

| Ice Machine | Nameplate Charge<br>(Charge Shipped in Ice Machine) | Refrigerant to be Added for<br>50'-100' Line Sets | Maximum System Charge<br>(Never Exceed) |
|-------------|---|---|---|
| I0590       | 6 lb. (96 oz.)                                      | 1.5 lb. (24 oz.)                                  | 7.5 lb. (120 oz.)                       |
| I0690       | 6.5 lb. (104 oz.)                                   | 1.5 lb. (24 oz.)                                  | 8 lb. (128 oz.)                         |
| I0890       | 8.5 lb. (136 oz.)                                   | 2 lb. (32 oz.)                                    | 10.5 lb. (168 oz.)                      |
| I0990       | 7 lb. (112 oz.)                                     | 2 lb. (32 oz.)                                    | 9 lb. (144 oz.)                         |
| I1090/I1190 | 8.5 lb. (136 oz.)                                   | 2 lb. (32 oz.)                                    | 10.5 lb. (168 oz.)                      |
| I1490       | 11 lb. (176 oz.)                                    | 2 lb. (32 oz.)                                    | 13 lb. (208 oz.)                        |
| I1890       | 12.5 lb. (200 oz.)                                  | 2 lb. (32 oz.)                                    | 14.5 lb. (232 oz.)                      |



**GENERAL**

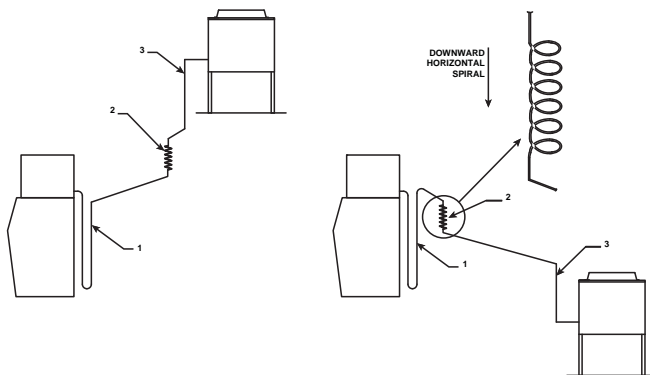
Condensers must be mounted horizontally with the fan motor on top with nothing obstructing it. There must be at least a 16" (41 cm) clearance from the bottom for air intake. The front coupling panel and one other panel (back or side) must also be unobstructed.

Remote condenser installations consist of vertical and horizontal line sets between the ice machine and the condenser. When combined, they must fit within approved specifications. The following guidelines, drawings and calculation methods must be followed to verify a proper remote condenser installation.

**⚠ Caution**

The 60 month compressor warranty (including the 36 month labor replacement warranty) will not apply if the remote ice machine is not installed according to specifications.

This warranty also will not apply if the refrigeration system is modified with a condenser, heat reclaim device, or other parts or assemblies not manufactured by Manitowoc Ice unless specifically approved in writing by Manitowoc Ice.



**Routing Line Sets**

**WIRING**

Interconnecting line voltage wiring is used to energize and de-energize the condenser fan motor.

- The remote condenser voltage matches the ice machine head section voltage.

| <b>Interconnecting Wire Connections</b> |                  |
|---|------------------|
| Ice Machine Head Section                | Remote Condenser |
| F1                                      | L1               |
| F2                                      | L2               |

**GUIDELINES FOR ROUTING LINE SETS**

First, cut a 2.5" (6.35 cm) circular hole in the wall or roof for tubing routing. The line set end with the 90° bend will connect to the ice machine. The straight end will connect to the remote condenser.

Follow these guidelines when routing the refrigerant lines. This will help ensure proper performance and service accessibility.

1. Optional - Make the service loop in the line sets (as shown below). This permits easy access to the ice machine for cleaning and service. Do not use hard rigid copper at this location.
2. Required - Do not form traps in the refrigeration lines (except the service loop). Refrigerant oil must be free to drain toward the ice machine or the condenser. Route excess tubing in a supported downward horizontal spiral (as shown below). Do not coil tubing vertically.
3. Required - Keep outdoor refrigerant line runs as short as possible.

**CALCULATING REMOTE CONDENSER INSTALLATION DISTANCES**

**Line Set Length**

The maximum length is 100' (30 m).

The ice machine compressor must have the proper oil return. The receiver is designed to hold a charge sufficient to operate the ice machine in ambient temperatures between -20°F (-29°C) and 120°F (49°C), with line set lengths of up to 100' (30 m).

**Line Set Rise/Drop**

The maximum rise is 35' (10.7 m).

The maximum drop is 15' (4.5 m).

**⚠ Caution**

If a line set has a rise followed by a drop, another rise cannot be made. Likewise, if a line set has a drop followed by a rise, another drop cannot be made.

Make the following calculations to make sure the line set layout is within specifications.

1. Insert the **measured rise** into the formula below. Multiply by 1.7 to get the **calculated rise**. (Example: A condenser located 10 feet above the ice machine has a **calculated rise** of 17 feet.)
2. Insert the **measured drop** into the formula below. Multiply by 6.6 to get the **calculated drop**. (Example. A condenser located 10 feet below the ice machine has a **calculated drop** of 66 feet.)
3. Insert the **measured horizontal distance** into the formula below. No calculation is necessary.
4. Add together the **calculated rise**, **calculated drop**, and **horizontal distance** to get the **total calculated distance**. If this total exceeds 150' (45 m), move the condenser to a new location and perform the calculations again.

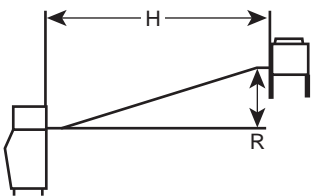
**Calculated Line Set Distance**

The maximum calculated distance is 150' (45 m).

Line set rises, drops, horizontal runs (or combinations of these) in excess of the stated maximums will exceed compressor start-up and design limits. This will cause poor oil return to the compressor.

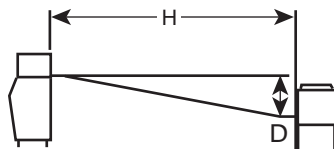
**Maximum Line Set Distance Formula**

|         |  |             |   |       |                           |
|---------|--|-------------|---|-------|---------------------------|
| Step 1. | Measured Rise (35' [10.7 m] Maximum)               | _____ x 1.7 | = | _____ | Calculated Rise           |
| Step 2. | Measured Drop (15' [4.5 m] Maximum)                | _____ x 6.6 | = | _____ | Calculated Drop           |
| Step 3. | Measured Horizontal Distance (100' [30 m] Maximum) |             |   | _____ | Horizontal Distance       |
| Step 4. | Total Calculated Distance 150' (45 m)              |             |   | _____ | Total Calculated Distance |



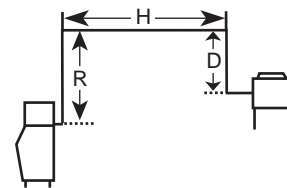
SV1196

**Combination of a Rise and a Horizontal Run**



SV1195

**Combination of a Drop and a Horizontal Run**



SV1194

**Combination of a Rise, a Drop and a Horizontal Run**

**LENGTHENING OR REDUCING LINE SET LENGTHS**

In most cases, by routing the line set properly, shortening will not be necessary. When shortening or lengthening is required, do so before connecting the line set to the ice machine or the remote condenser. This prevents the loss of refrigerant in the ice machine or condenser.

The quick connect fittings on the line sets are equipped with Schraeder valves. Use these valves to recover any vapor charge from the line set. When lengthening or shortening lines follow good refrigeration practices, purge with nitrogen and insulate all tubing. Do not change the tube sizes. Evacuate the lines and place about 5 oz (143g) of vapor refrigerant charge in each line.

**CONNECTING A LINE SET**

1. Remove the dust caps from the line set, condenser and ice machine.
2. Apply refrigeration oil to the threads on the quick disconnect couplers before connecting them to the condenser.
3. Carefully thread the female fitting to the condenser or ice machine by hand.
4. Tighten the couplings with a wrench until they bottom out.
5. Turn an additional 1/4 turn to ensure proper brass-to-brass seating. Torque to the following specifications:

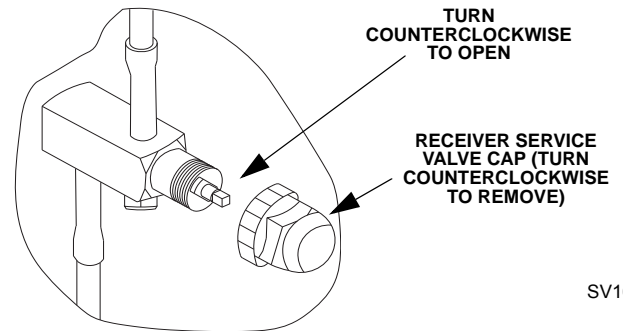
| Liquid Line                     | Discharge Line                  |
|---------------------------------|---------------------------------|
| 10-12 ft lb.<br>(13.5-16.2 N•m) | 35-45 ft lb.<br>(47.5-61.0 N•m) |

6. Check all fittings and valve caps for leaks.
7. Make sure Schraeder cores are seated and Schraeder caps are on and tight.

**REMOTE RECEIVER SERVICE VALVE**

The receiver service valve is closed during shipment. Open the valve prior to starting the ice machine.

1. Remove the top and left side panels.
2. Remove the receiver service valve cap.
3. Backseat (open) the valve.
4. Reinstall the cap and panels.



SV1603

**Backseating the Receiver Service Valve**

## Remote Ice Machine Usage with Non-Manitowoc Multi-Circuit Condensers

### WARRANTY

The sixty (60) month compressor warranty, including thirty six (36) month labor replacement warranty, **shall not apply** when the remote ice machine is not installed within the remote specifications. The foregoing warranty shall not apply to any ice machine installed and/or maintained inconsistent with the technical instructions provided by Manitowoc Ice. Performance may vary from Sales specifications. ARI certified standard ratings only apply when used with a Manitowoc remote condenser.

If the design of the condenser meets the specifications, Manitowoc's only approval is for full warranty coverage to be extended to the Manitowoc manufactured part of the system. Since Manitowoc does not test the condenser in conjunction with the ice machine, Manitowoc will not endorse, recommend, or approve the condenser, and will not be responsible for its performance or reliability.

#### Important

Manitowoc warrants only complete new and unused remote packages. Guaranteeing the integrity of a new ice machine under the terms of our warranty prohibits the use of pre-existing (used) tubing or condensers.

### HEAD PRESSURE CONTROL VALVE

Any remote condenser connected to a Manitowoc Ice Machine must have a head pressure control valve (available from Manitowoc Distributors) installed on the condenser package. Manitowoc **will not accept** substitute "off the shelf" head pressure control valves.

#### Caution

Do not use a fan cycling control to try to maintain discharge pressure. Compressor failure will result.

### FAN MOTOR

The condenser fan must be **on** during the complete ice machine freeze cycle (do not cycle on fan cycle control). The ice maker has a condenser fan motor circuit for use with a Manitowoc condenser. It is recommended that this circuit be used to control the condenser fan(s) on the multi-circuit condenser to assure it is on at the proper time. **Do not exceed the rated amps for the fan motor circuit listed on the ice machine's serial tag.**

### INTERNAL CONDENSER VOLUME

The multi-circuit condenser internal volume must not be less than or exceed that used by Manitowoc (see chart on next page). **Do not exceed internal volume and try to add charge to compensate, as compressor failure will result.**

### CONDENSER $\Delta T$

$\Delta T$  is the difference in temperature between the condensing refrigerant and entering air. The  $\Delta T$  should be 15 to 20°F (-9.4 to -6.6°C) at the beginning of the freeze cycle (peak load conditions) and drop down to 12 to 17°F (-11.1 to -8.3°C) during the last 75% of the freeze cycle (average load conditions).

### REFRIGERANT CHARGE

Remote ice machines have the serial plate refrigerant charge (total system charge) located in the ice maker section. (Remote condensers and line sets are supplied with only a vapor charge.)

#### Caution

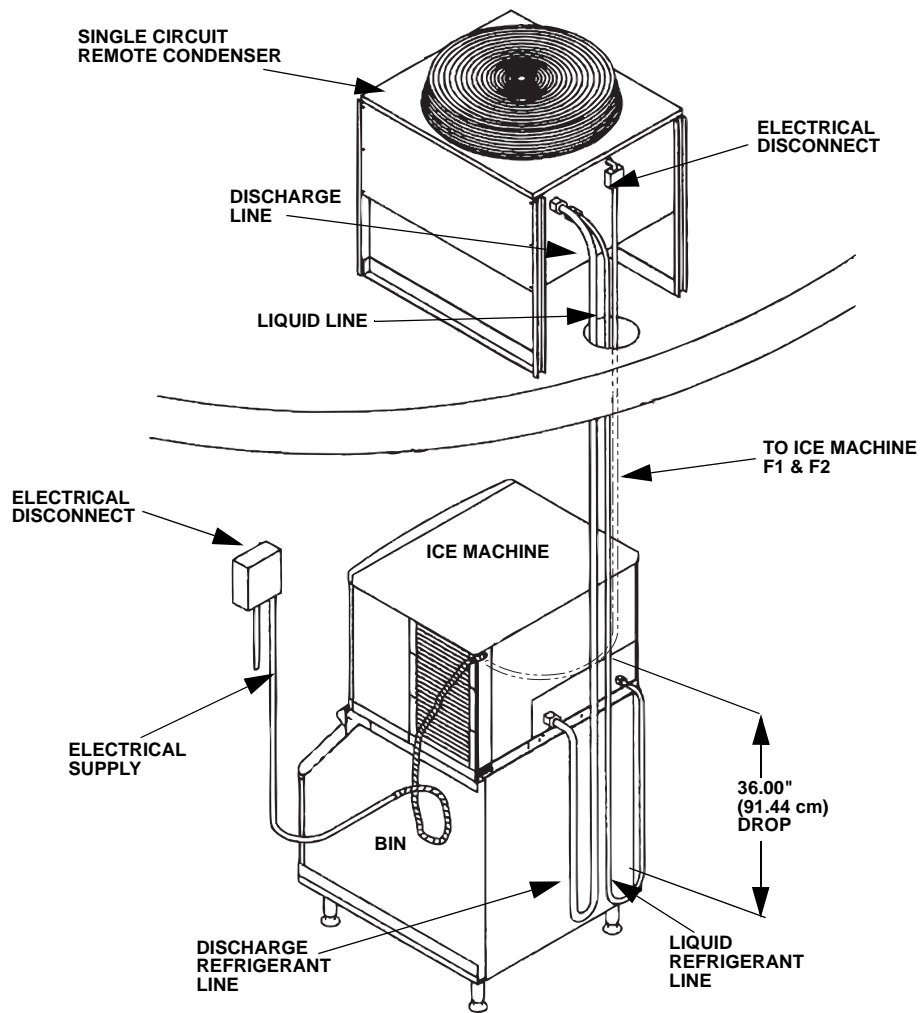
Never add more than nameplate charge to ice machine for any application.

### QUICK CONNECT FITTINGS

The ice machine and line sets come with quick connect fittings. It is recommended that matching quick connects (available through Manitowoc Distributors) be installed in the multi-circuit condenser, and that a vapor "holding" charge, 5 oz. (150 ml), of proper refrigerant be added to the condenser prior to connection of the ice machine or line set to the condenser.

**NON-MANITOWOC MULTI-CIRCUIT CONDENSER SIZING CHART**

| Ice Machine Model | Refrigerant |           | Heat of Rejection |             | Internal Condenser Volume (cu ft) |       | Design Pressure   | Quick Connect Stubs-Male Ends |                               | Head Pressure Control Valve                                  |
|-------------------|-------------|-----------|-------------------|-------------|-----------------------------------|-------|---|-------------------------------|-------------------------------|--|
|                   | Type        | Charge    | Average Btu/hr    | Peak Btu/hr | Min                               | Max   |   | Discharge                     | Liquid                        |  |
| I0590             | R-404A      | 6 lbs.    | 6,100             | 6,900       | 0.020                             | 0.035 | 500 psig (3447 kpa) (34.47 bar) safe working pressure<br><br>2,500 psig (17237 kpa) (172.37 bar) burst pressure | coupling P/N 83-6035-3        | coupling P/N 83-6034-3        | Manitowoc P/N 83-6809-3<br><br><br><br><b>no substitutes</b> |
| I0690             | R404A       | 6.5 lbs.  | 9,000             | 13,900      | 0.045                             | 0.060 |   |                               |                               |  |
| I0890             | R-404A      | 8.5 lbs.  | 13,000            | 16,000      | 0.045                             | 0.060 |   |                               |                               |  |
| I0990             | R-404A      | 7 lbs.    | 13,000            | 16,000      | 0.045                             | 0.060 |   | mounting flange P/N 83-6006-3 | mounting flange P/N 83-6005-3 |  |
| I1090<br>I1190    | R-404A      | 8.5 lbs.  | 16,250            | 18,600      | 0.045                             | 0.060 |   |                               |                               |  |
| I1490             | R-404A      | 11 lbs.   | 23,500            | 27,000      | 0.085                             | 0.105 |   |                               |                               |  |
| I1890             | R-404A      | 12.5 lbs. | 30,000            | 35,000      | 0.085                             | 0.105 |   |                               |                               |  |



**Typical Single Circuit Remote Condenser Installation**

**Installation Check List**

- Is the Ice Machine level?
- Have all of the electrical and water connections been made?
- Has the supply voltage been tested and checked against the rating on the nameplate?
- Is there proper clearance around the ice machine for air circulation?
- Is the ice machine grounded and polarity correct?
- Has the ice machine been installed where ambient temperatures will remain in the range of 35° - 110°F (1.6° - 43.3°C)?
- Has the ice machine been installed where the incoming water temperature will remain in the range of 35° - 90°F (1.6° - 32.2°C)?
- Is there a separate drain for the potable water, bin and water-cooled condenser?
- Are the ice machine and bin drains vented?
- Are all refrigerant lines free from contact with other components?
- Are all electrical leads free from contact with refrigeration lines and moving equipment?
- Has the owner/operator been instructed regarding maintenance and the use of Manitowoc Cleaner and Sanitizer?
- Has the owner/operator completed the warranty registration card?
- Has the ice machine and bin been sanitized?
- Is the ice thickness control set correctly? (Refer to Operational Checks to check/set the correct ice bridge thickness).

**Additional Checks for Remote Models**

- Has the receiver service valve been opened?
- Does the remote condenser fan operate properly after start-up?
- Has the remote condenser been located where ambient temperatures will remain in the range of -20° - 120°F (-29 - 49°C).
- Is the line set routed properly?
- Are both refrigeration lines to remote condenser run so they do not lay in water and are properly insulated?


**Before Starting the Ice Machine**

All Manitowoc ice machines are factory-operated and adjusted before shipment. Normally, new installations do not require any adjustment.

To ensure proper operation, follow the Operational Checks in Section 3 of this manual. Starting the ice machine and completing the Operational Checks are the responsibilities of the owner/operator.

Adjustments and maintenance procedures outlined in this manual are not covered by the warranty.

Follow the procedures on the next page and in section 3 to verify the control board settings are correct for your customers location and application.

** Warning**

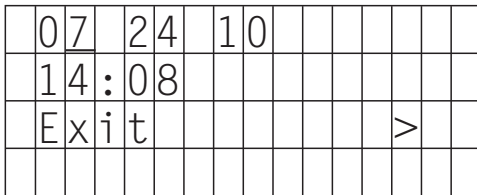
**Potential Personal Injury Situation**

Do not operate equipment that has been misused, abused, neglected, damaged, or altered/modified from that of original manufactured specifications.

**SET THE TIME AND DATE**

When the ice machine is installed, the correct time and date needs to be set for its location.

1. Press the Menu button.
2. Press the Down arrow until Set-Up is highlighted [bracketed].
3. Press the Checkmark. The Set-Up menu will be displayed and Language will be highlighted [bracketed]. The default language is English.
4. Press the Checkmark. You can choose to view the display in a language other than English, by highlighting your choice and pressing the Checkmark. Selecting one language will deselect the others.
5. When the check reflects your preference, use the Down arrow to navigate to Exit and press the Checkmark. The display will return to the Set-Up menu.
6. Use the Down arrow to highlight Time & Date.
7. Press the Checkmark. The date will appear on the first line of the display (Mo/Day/Yr) and the time will appear on the second line (24 Hour). The month will have a blinking cursor.



8. Using the Up or Down arrow, adjust the month, if necessary.
9. When the correct month appears, use the Right arrow to move the blinking cursor to day.

10. Using the Up or Down arrow, adjust the day, if necessary.
11. When the correct day appears, use the Right arrow to move the blinking cursor to year.
12. Using the Up or Down arrow, adjust the year, if necessary.
13. When the correct year appears, press the Checkmark. Use the Right arrow to move the blinking cursor to hour.
14. Using the Up or Down arrow, adjust the hour, if necessary.
15. When the correct hour appears, use the Right button to move the underline to minutes.
16. Using the Up or Down button, adjust the minutes, if necessary.
17. When the correct minutes appear, press the Checkmark twice.

**FACTORY DEFAULTS**

All other settings have been set to defaults by the factory.

| Setting             | Default                |
|---------------------|------------------------|
| Time Configuration  | Mo/Day/Yr / 24 Hour    |
| Units               | Fahrenheit/Lbs/Gallons |
| Ice Clarity         | Off                    |
| LCD Brightness      | Level 2                |
| Password On/Off     | Off                    |
| Clean Minder        | Off                    |
| AuCS RunTime        | Off                    |
| Air Filter Minder   | Off                    |
| Water Filter Minder | Off                    |
| LuminIce™ Minder    | Off                    |
| Language            | English                |

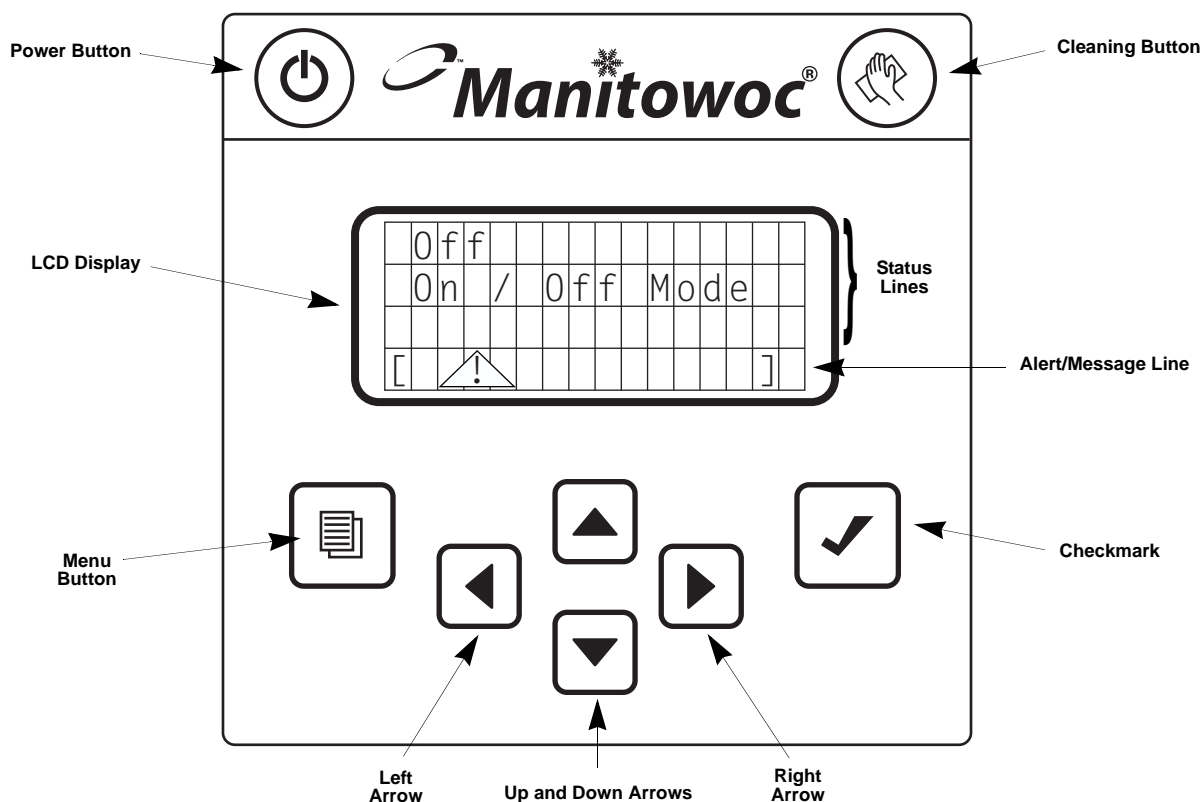
For more details and instructions for changing ice machine settings, see “Set-Up Menu” in the *Operation* section.

NOTE: Verify bridge thickness is correct by performing an “Ice Thickness Check” as described on page 35.

THIS PAGE INTENTIONALLY LEFT BLANK



## Section 3 Operation



### Control Panel Features

The Indigo™ control panel offers a series of pressure sensitive buttons and a four-line interactive display panel. The front door must be opened to access the Power and Clean buttons.

#### BUTTONS

**Power Button:** Powers the ice machine when in the On/Off Mode. The ice machine can also be programmed to automatically power on and off in two Energy Saver modes.

**Cleaning Button:** Initiates a cleaning cycle. Refer to the *Maintenance* section for details.

**Menu Button:** Moves the display from the Home Screen, where ice machine status, alerts and messages are viewed, to the Main Menu, where machine information and its event log can be accessed, machine and Energy Saver settings can be adjusted, and service issues can be addressed.

**Left and Right Arrows:** The Left arrow moves the display to the previous screen, allowing the user to “back out” of programming. Both the Left and Right arrows will move the cursor (underline) within a line of settings. NOTE: The Right arrow can also be used on many screens interchangeably with the Checkmark to make a selection.

**Up and Down Arrows:** Move the highlight [brackets] up one line or down one line.

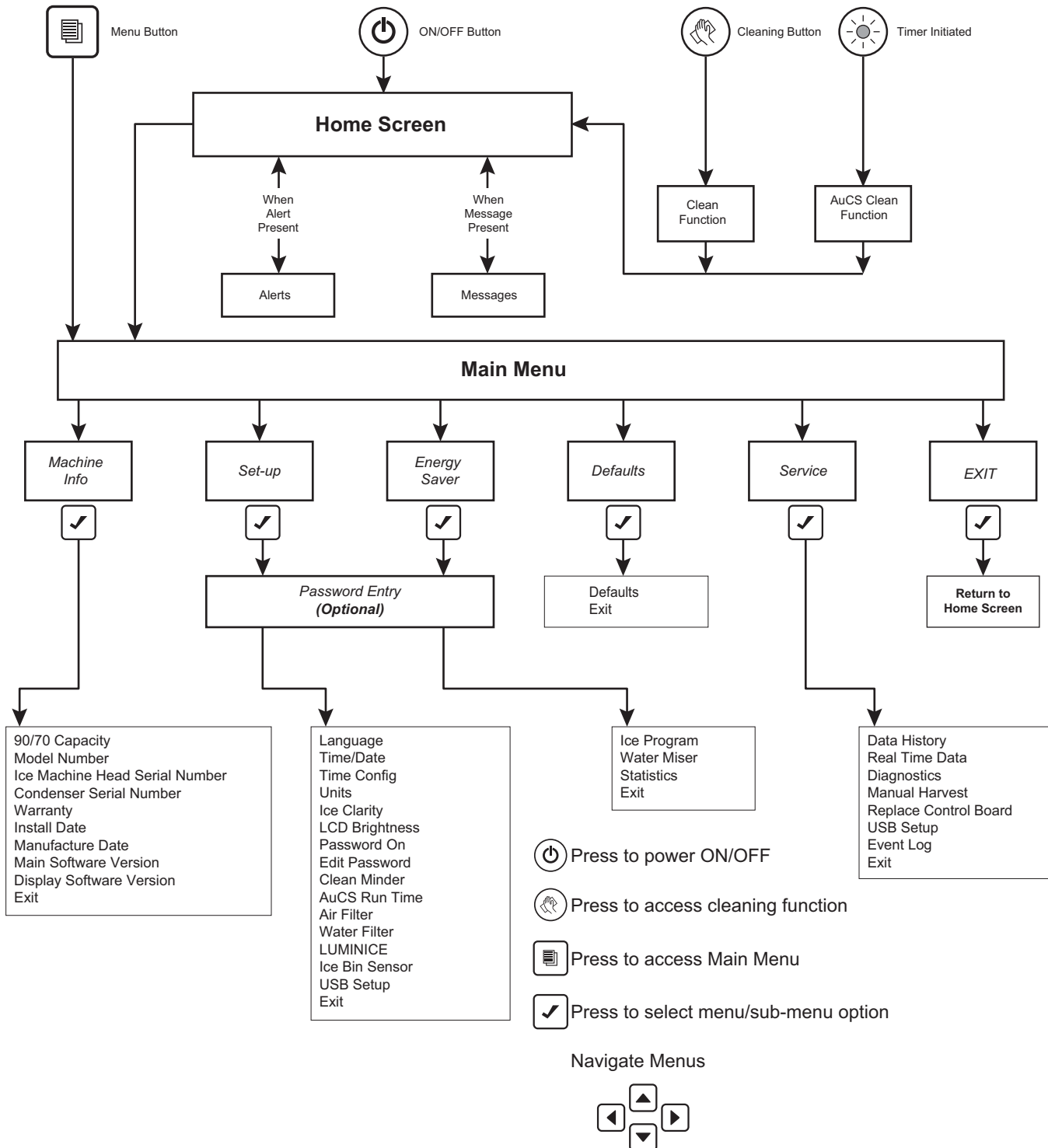
**Checkmark:** Makes a selection and/or moves to the next screen (or line).

#### DISPLAY PANEL

The LCD display panel is 16 characters wide and four lines deep. During ice machine operation and cleaning cycles, the Home screen’s top three lines provide valuable status information and the fourth line shows alerts and messages. In programming, four lines of the current screen are displayed and highlights, arrows, cursor and selections inform the user of available actions.

Overview of Menu Navigation

# Indigo™ Models - Menu Navigation Overview



### Display Panel Navigation

|   |   |   |   |   |   |   |   |   |   |   |   |   |
|---|---|---|---|---|---|---|---|---|---|---|---|---|
| [ | T | i | m | e | & | D | a | t | e | > | ] | ▼ |
|   | T | i | m | e | C | o | n | f | i | g | > |   |
|   | U | n | i | t | s |   |   |   |   | > |   | ▼ |

**Highlights:** Brackets indicate if a line on the screen is “highlighted” or actionable. Move the brackets from line to line using the Down or Up arrow. Move the brackets down from the fourth line to view more of the menu displayed.

**Arrows:** Two kinds of arrows give cues to additional information. “>” symbols show that another screen is available by pressing Checkmark while a line is highlighted. “▼” and “▲” symbols indicate the limits of the screen viewed. NOTE: Another cue to the length of a menu screen is that Exit is the last item.

|   |   |   |   |   |   |  |  |  |  |   |  |  |
|---|---|---|---|---|---|--|--|--|--|---|--|--|
| 0 | 7 | 2 | 4 | 1 | 0 |  |  |  |  |   |  |  |
| 1 | 4 | : | 0 | 8 |   |  |  |  |  |   |  |  |
| E | x | i | t |   |   |  |  |  |  | > |  |  |
|   |   |   |   |   |   |  |  |  |  |   |  |  |

**Cursor:** A cursor (underline) is used within lines where actual settings can be adjusted. In these screens, use the Up and Down arrows to make changes to the value underlined. Move the cursor from digit to digit using the Right and Left arrows. Use the Checkmark to move the cursor down one line. Exit and re-enter the screen to start again at the top.

|   |   |   |   |   |   |   |   |   |   |   |   |   |   |   |
|---|---|---|---|---|---|---|---|---|---|---|---|---|---|---|
| [ | M | o | / | D | a | y | / | Y | r | ( | ✓ | ) | ] | ▼ |
|   | D | a | y | / | M | o | / | Y | r | ( | ) |   |   |   |
|   | 1 | 2 |   | H | o | u | r |   |   | ( | ) |   |   |   |
|   | 2 | 4 |   | H | o | u | r |   |   | ( | ✓ | ) |   | ▼ |

**Selections:** When parentheses ( ) appear, they indicate a selection is available by pressing Checkmark while the line is highlighted. If the choice is exclusive, selecting it with the Checkmark will uncheck another selection. That is, in the above Time Config example, selecting Day/Mo/Yr will deselect Mo/Day/Yr.

### Alerts and Messages







When messages and alerts exist, they will be highlighted and can be selected with the Left arrow. Alerts are shown on the left side - Alerts are conditions that may cause the ice machine to stop in the near future. Alerts displayed will have priority over messages.

Messages are shown on the right side and appear as an envelope - They are reminders such as clean your air condenser filter, change your water filter, etc. .

|   |   |   |   |   |   |   |   |   |   |   |  |   |
|---|---|---|---|---|---|---|---|---|---|---|--|---|
|   | O | f | f |   |   |   |   |   |   |   |  |   |
|   | O | n | / | O | f | f | M | o | d | e |  |   |
| [ |   |   |   |   |   |   |   |   |   |   |  | ] |

For example, if alerts are appearing in the fourth line of the display:

1. Press the Left Arrow. A list of alerts will appear in the display.
2. Choose the alert you wish to address by moving the highlight brackets with the Down arrow.
3. Press Checkmark again. A screen appears with the date, time and total number of times an alert has occurred. At the bottom of the screen you will be able to clear the alert by pressing the Checkmark.
4. Return to the Home screen by selecting Exit and pressing the Checkmark.

|   |              |
|---|--------------|
|  | Machine Info |
|  |              |
|   | Set-Up       |
|  |              |
|   | Energy Saver |
|  |              |
|   | Fact Deflts  |
|  |              |
|   | Service      |
|  |              |
|   | Exit         |

**Main Menu**

**Main Menu**

From the Home screen, press the Menu button to enter the Main menu, where you can choose to see machine information, make setup changes, set the Energy Saver mode, or enter the Service Menu.

**Machine Info Menu**

From the Main menu, ensure that Machine Info is highlighted and press the Checkmark to view a list including capacity, model number, Ice Machine Head serial number, condenser serial number, warranty, installation date, date of manufacture and software version. Use the Down arrow to highlight an item and use the Checkmark to view the information. Press the Left arrow to return to previous screens.

**Password Entry**

A password is not required, although a password can be turned on to prevent unauthorized control setting modification. You can use the Factory Default Password of "1234" or enter a four digit custom pin number of your choosing.

**To turn on the password feature use the following procedure.**

1. Press the Menu button.
2. From the Main menu, use the Down arrow to highlight setup and press the Right arrow.
3. Use the Down arrow to highlight Password ON and press the Right arrow.
4. Press the Right arrow again with Enter Passwrd highlighted and an icon will flash.
5. Use the Up & Down arrows to enter the factory password (1, 2, 3, 4). Enter the number 1 in the flashing icon (first digit of the factory password).
6. Press the right arrow to move to the next cell and use the Up & Down arrows to add the number 2. Repeat this process to add 3 & 4.
7. When the last number is entered press the Checkmark button to save your entry..

|       |         |   |
|-------|---------|---|
| Enter | Passwrd | ▲ |
| [     |         | ] |
| Exit  | >       |   |
|       |         |   |

**To enter a four digit password of your choosing use the following procedure.**

1. Press the Menu button.
2. From the Main menu, use the Down arrow to highlight Setup and press the Right arrow.
3. Use the Down arrow to select Edit Password and press the Right arrow.
4. Using the Up & Down arrows, enter the first digit of the factory password in the flashing icon.
5. Press the right arrow to move to the next cell and use the Up & Down arrows to add the number 2. Repeat this process to add 3 & 4.
6. When the last number is entered press the Checkmark button.
7. Follow steps 4 & 5 and enter your 4 digit password.
8. When the last number is entered press the Checkmark button to save your entry.

**RESET PASSWORD TO FACTORY DEFAULTS**

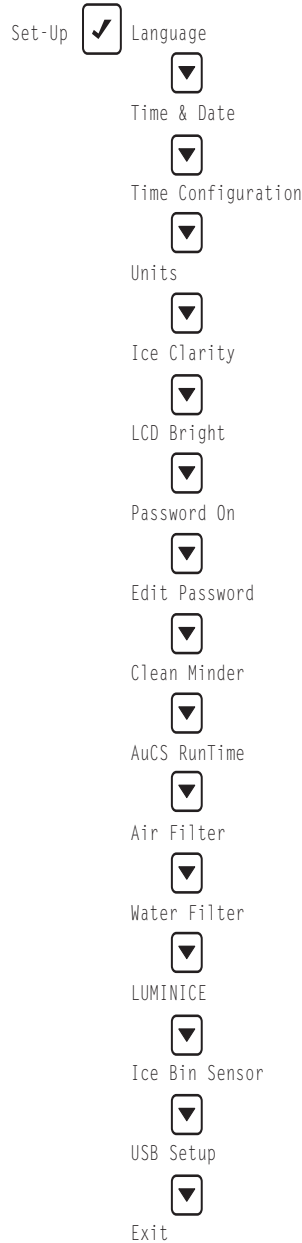
The password can be reset to the factory defaults when required. The default factory password is 1234. To reset the ice machine to factory defaults use the following procedure.

1. Press the Menu button.
2. From the Main menu, use the Down arrow to highlight Fact Deflts
3. Press the Checkmark button two times to reset the ice machine. The display will return to the Set-Up menu and the defaults listed below will be in effect. Refer to Setup to adjust settings.

| Setting              | Default   |
|----------------------|---|
| Language             | English   |
| Time/Date            | Month/Day/Year/Time                             |
| Time Configuration   | Mo/Day/Yr/24 Hour                               |
| Units                | Fahrenheit/Lbs/Gallons                          |
| Ice Clarity          | Off   |
| LCD Brightness       | Level 2   |
| Password On          | Off - Enter Password<br>Default Password = 1234 |
| Edit Password        | Off - Edit Password                             |
| Clean Minder         | Off   |
| AuCS RunTime         | Off   |
| Air Filter Minder    | Off   |
| Water Filter Minder  | Off   |
| LuminIce Bulb Minder | No  |
| Ice Bin Sensor       | Off   |

### Set-Up Menu

From the Main menu, use the Down arrow to navigate to Set-Up and press the Checkmark. Select and customize machine settings on this menu. Press the Left arrow to return to previous screens.



### Set-Up Menu

### LANGUAGE

1. From the Set-Up menu, use the Down arrow to highlight Language.
2. Press the Checkmark. You can choose to view the display in a language other than English, by highlighting your choice and pressing the Checkmark. Selecting one language will deselect the others.
3. When the check reflects your preference, use the Down arrow to navigate to Exit and press the Checkmark. The display will return to the Set-Up menu.

### TIME & DATE

Refer to the Installation section’s step-by-step instructions for setting the time and date.

|   |   |   |   |   |   |   |   |   |   |   |   |   |   |   |
|---|---|---|---|---|---|---|---|---|---|---|---|---|---|---|
| [ | M | / | D | a | y | / | Y | r |   | ( | ✓ | ) | ] | ▼ |
|   | D | a | y | / | M | o | / | Y | r |   | ( |   | ) |   |
|   | 1 | 2 |   |   | H | o | u | r |   |   | ( |   | ) |   |
|   | 2 | 4 |   |   | H | o | u | r |   |   | ( | ✓ | ) | ▼ |

### TIME CONFIGURATION

1. From the Set-Up menu, use the Down arrow to highlight Time Config.
2. Press the Checkmark. On this screen, you can choose whether the date will be displayed as Mo/Day/Yr or Day/Mo/Yr by highlighting your choice and pressing the Checkmark. Selecting one will deselect the other.
3. You can also choose whether the time will be displayed as 12 Hour or 24 Hour by highlighting your choice and pressing the Checkmark. Selecting one will deselect the other.
4. When the two checks reflect your preference, use the Down arrow to navigate to Exit and press the Checkmark. The display will return to the Set-Up menu.

**UNITS**

1. From the Set-Up menu, use the Down arrow to highlight Units.
2. Press the Checkmark. On this screen, you can choose whether the ice machine will display measurements in Celsius or Fahrenheit, kilograms or pounds, and gallons or liters by highlighting your choice of each pair and pressing the Checkmark. Selecting one of each pair will deselect the other. Make sure to navigate with the Down arrow to make all three choices.
3. When the three checks reflect your preferences, use the Down arrow to navigate to Exit and press the Checkmark. The display will return to the Set-Up menu.

**ICE CLARITY**

In areas with poor potable water quality, the ice machine makes cloudy ice. Setting Ice Clarity to ON will add additional water during the freeze cycle to dilute the water that contains a high content of dissolved solids in the water trough. This feature decreases production and increases water usage. A water filter is recommended to produce the highest quality ice while maintaining the least expensive mode of operation.

1. From the Set-Up menu, use the Down arrow to highlight Ice Clarity.
2. Press the Checkmark. On this screen, you can choose to turn the ice clarity feature ON or OFF by highlighting your choice and pressing the Checkmark. Selecting one will deselect the other.
3. When the check reflects your preference, use the Down arrow to navigate to Exit and press the Checkmark. The display will return to the Set-Up menu.

**LCD BRIGHTNESS**

Here, the brightness of the LCD display can be adjusted.

1. From the Set-Up menu, use the Down arrow to highlight LCD Bright.
2. Press the Checkmark. You will see one to four checkmark symbols indicating the brightness levels of the display. Level 1 is one checkmark, level 2 is two checkmarks, etc.
3. Use the Up and Down arrows to select your preference.
4. When the number of checkmark symbols reflects your preference, press the Checkmark button. The display will return to the Set-Up menu.

**PASSWORD ON**

A password can be added to prevent unauthorized changes to ice machine settings.

1. From the Set-Up menu, use the Down arrow to highlight Password On.
2. Enter the password and press the Checkmark.
3. Press the Left arrow to return to previous screens and to the Set-Up menu.

**EDIT PASSWORD**

The password can be changed on this screen

1. From the Set-Up menu, use the Down arrow to highlight Edit Password.
2. Press the Checkmark and confirm current password.
3. Enter new password and press the Checkmark.
4. Press the Left arrow to return to previous screens and to the Set-Up menu.

**CLEAN MINDER**

Clean Minder is a feature that displays a cleaning reminder at a set time interval.

1. From the Set-Up menu, use the Down arrow to highlight Clean Minder.
2. Press the Checkmark. On this screen, you can choose to turn the reminder ON or OFF by highlighting your choice and pressing the Checkmark. Selecting one will deselect the other.
3. You can also choose the time interval from this screen by highlighting Set Interval and pressing the Checkmark.
4. Press the Left arrow to return to previous screens and to the Set-Up menu.

**AUCS RUNTIME**

Automatic Cleaning System is an optional accessory and will perform a cleaning cycle at a set time interval.

1. From the Set-Up menu, use the Down arrow to highlight AuCS RunTime.
2. Press the Checkmark. On this screen, you can choose to turn the feature ON or OFF by highlighting your choice and pressing the Checkmark. Selecting one will deselect the other.
3. You can also choose the time interval from this screen by highlighting Set Interval and pressing the Checkmark.
4. Press the Left arrow to return to previous screens and to the *Set-Up* menu.

**AIR FILTER**

The ice machine has a feature that displays a clean air filter reminder at a set time interval.

1. From the Set-Up menu, use the Down arrow to highlight Air Filter.
2. Press the Checkmark. On this screen, you can choose to turn the reminder to AUTO or OFF by highlighting your choice and pressing the Checkmark. Selecting one will deselect the other.
3. You can also choose the time interval from this screen by highlighting Set Interval and pressing the Checkmark.
4. Press the Left arrow to return to previous screens and to the Set-Up menu.

**WATER FILTER**

The ice machine has a feature that displays a replace water filter reminder at a set time interval.

1. From the Set-Up menu, use the Down arrow to highlight Water Filter.
2. Press the Checkmark. You can record the filter type on this screen by highlighting Filter Type and pressing the Checkmark.
3. After making your selection, press the Left arrow to return to the previous screen.
4. On this screen, you can also choose to turn the reminder to AUTO or OFF by highlighting your choice and pressing the Checkmark. Selecting one will deselect the other.
5. You can further choose the time interval from this screen by highlighting Set Interval and pressing the Checkmark.
6. Press the Left arrow to return to previous screens and to the Set-Up menu.

**LUMINICE™ REMINDER**

The LuminIce™ growth inhibitor recirculates the air in the ice machine foodzone over a UV bulb. This process will inhibit the growth of common micro-organisms on all exposed foodzone surfaces.

The LuminIce™ is a feature that displays a reminder to change its bulb every 12 months.

1. From the Set-Up menu, use the Down arrow to highlight LuminIce™.
2. Press the Checkmark. On this screen, you can choose to turn the reminder to AUTO or OFF by highlighting your choice and pressing the Checkmark. Selecting one will deselect the other.
3. When the check reflects your preference, use the Down arrow to navigate to Exit and press the Checkmark. The display will return to the Set-Up menu.

**ICE BIN LEVEL SENSOR**

Ice bin sensor is an optional accessory that allows the ice level in the bin to be set to one of three different levels. The bin level can be set seasonally to match usage, which results in lower energy costs and fresher ice.

1. From the set-up menu, use the Down arrow to highlight Ice Bin Sensor.
2. Press the Checkmark. On this screen you can choose to set the ice level to low, medium or high by highlighting your choice and pressing the Checkmark. Selecting one will deselect the other.

When the check reflects your preference, use the Down to navigate to Exit and press the Checkmark. The display will return to the Set-up menu.

**USB SETUP**

Refer to “Upgrading Firmware with a Flash Drive” and “Exporting Data to a Flash Drive” for more information on this setting.

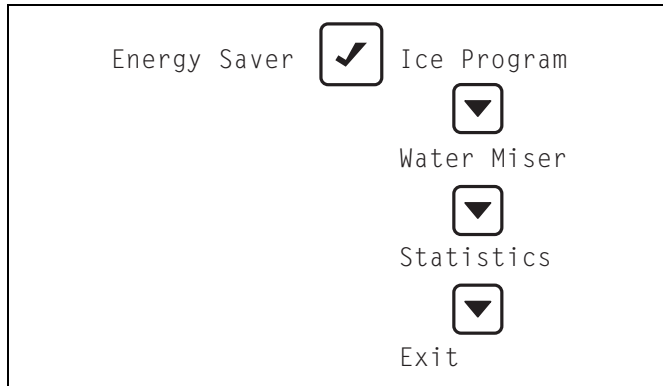
**FACTORY DEFAULTS**

The entire setup can be reset to factory defaults listed on page 28.

1. From the Set-Up menu, use the Down arrow to highlight Fact Default.
2. Press the Checkmark two times to reset the ice machine. The display will return to the Set-Up menu.

## Energy Saver Menu

From the Main menu, use the Down arrow to navigate to Energy Saver and press the Checkmark. Set up an energy saving ice program, enable the Water Miser and view usage statistics from this menu. Press the Left arrow to return to previous screens.



**Energy Saver Menu**

### ICE PROGRAM

To save energy and water, the ice machine can be programmed to only power up during time periods that the ice will be used or when the bin level is being depleted by heavy use.

#### Important

Setting an ice program will take the ice machine out of the On/Off Mode and the Power button will be disabled.

1. In the Energy Saver menu, ensure that Ice Program is highlighted.
2. Press the Checkmark. On this screen, you can choose to turn on the time program or the bin level program by highlighting your choice and pressing the Checkmark. Selecting one will deselect the other. If one of them is selected and you wish to turn both off, highlight the choice and press Checkmark again.

NOTE: Settings will not be saved if the Checkmark is not pressed after choosing On or Off.

3. If neither of the programs are selected, highlighting Next and pressing the Checkmark will simply return to the top of this screen. If one of the programs is selected, highlight Next and press the Checkmark to choose the times or bin levels. NOTE: For details on how to use the cursor for the time program, refer to "Display Panel Navigation" in this section.
4. Select Exit to return to previous screens and again to the Energy Saver menu.

### WATER MISER

Water Miser is a feature that reduces water usage by eliminating flush cycles. Enabling this feature is only recommended for systems with de-ionized or reverse osmosis filtering.

1. From the Energy Saver menu, use the Down arrow to highlight Water Miser.
2. Press the Checkmark. On this screen, you can choose to turn the Water Miser ON or OFF by highlighting your choice and pressing the Checkmark. Selecting one will deselect the other.
3. Press the Left arrow to return to previous screens and to the Energy Saver menu.

### STATISTICS

1. From the Energy Saver menu, use the Down arrow to highlight Statistics.
2. Press the Checkmark. Choose to view ice production, potable water usage or energy usage statistics by highlighting your choice and pressing the Checkmark.
3. Press the Left arrow to return to previous screens and to the Energy Saver menu.

### FACTORY DEFAULTS

The entire setup can be reset to the factory defaults.

1. From the Set-up menu, use the Down arrow to highlight Fact Deflts.
2. Press the Checkmark two times to reset the ice machine. The display will return to the Set-up menu.



**Service Menu**

From the Main menu, use the Down arrow to navigate to Service and press the Checkmark. This menu is intended for the use of trained service personnel.

|               |                                     |                          |                                     |  |
|---------------|-------------------------------------|--------------------------|-------------------------------------|--|
| Service       | <input checked="" type="checkbox"/> | Data History             | <input checked="" type="checkbox"/> | 00000000<br>00000000<br>00000000<br>00000000<br>00000000<br>00000000<br>Lifetime<br>Exit |
|               |                                     | <input type="checkbox"/> | <input type="checkbox"/>            |  |
| RealTime Data | <input checked="" type="checkbox"/> | Time & Temp              | <input checked="" type="checkbox"/> | Inputs<br>Outputs<br>Exit  |
|               |                                     | <input type="checkbox"/> | <input type="checkbox"/>            |  |
| Diagnostics   | <input checked="" type="checkbox"/> | Control Board            | <input checked="" type="checkbox"/> | Temp Sensors<br>Inputs<br>Exit   |
|               |                                     | <input type="checkbox"/> | <input type="checkbox"/>            |  |
| Man Harvest   | <input checked="" type="checkbox"/> | Hrvst Started            | <input checked="" type="checkbox"/> | Exit   |
|               |                                     | <input type="checkbox"/> | <input type="checkbox"/>            |  |
| Repl Cntl Bd  | <input checked="" type="checkbox"/> | Manual Setup             | <input checked="" type="checkbox"/> | USB Setup<br>Exit  |
|               |                                     | <input type="checkbox"/> | <input type="checkbox"/>            |  |
| USB Setup     | <input checked="" type="checkbox"/> | USB Stick                | <input checked="" type="checkbox"/> | Exit   |
|               |                                     | <input type="checkbox"/> | <input type="checkbox"/>            |  |
| Event Log     | <input checked="" type="checkbox"/> | View ELog                | <input checked="" type="checkbox"/> | Clear ELog<br>Exit   |
|               |                                     | <input type="checkbox"/> | <input type="checkbox"/>            |  |
| Exit          |                                     |                          |                                     |  |

**Service Menu**

**DATA HISTORY**

Press the Checkmark with Data History highlighted to view a list of eight-digit dates (Current, Current + 1 ... Current + 5), along with Lifetime (be sure to use the Down arrow to reveal all the available information).

For each of the dates, use the Checkmark to view:

- Minimum Freeze Cycle
- Maximum Freeze Cycle
- Minimum Harvest Cycle
- Maximum Harvest Cycle
- Maximum Temperature DeltaT3 to T4
- Delta
- T3
- T4
- Run Time
- Ice Production
- Cycle Count
- Potable Water Usage
- Clean Cycle
- Exit

For Lifetime, use the Checkmark to view:

- Install Date (Install)
- Control Board Replacement Date
- Control Board Date Of Manufacture (DOM)
- RunTime
- Cycle Count
- Potable Water Usage
- Clean Cycles
- Exit

**REAL TIME DATA**

Press the Checkmark with Real Time Data highlighted to get readings on Time & Temp, Inputs and Outputs.

**DIAGNOSTICS**

Press the Checkmark with Diagnostics highlighted to enter screens where you can run diagnostics on the control board, sensors and switches.

**MANUAL HARVEST**

Press the Checkmark with Man Harvest highlighted to enter a screen where you can initiate a manual harvest.

## Ice Making Sequence Of Operation

Ice machines and storage bins produce and store ice for human consumption and product cooling.

NOTE: The power button must be depressed and the water curtain/ice dampers must be in place on the evaporator before the ice machine will start.

### Water Purge Cycle

The ice machine purges any remaining water from the water trough down the drain.

### Freeze Cycle

Water flows across the evaporator and the refrigeration system chills the evaporator. Ice builds on the evaporator and the freeze cycle continues until the ice thickness probe senses a sheet of ice has formed. The ice thickness probe signals the control board to start a harvest .

### Harvest Cycle

Any remaining water is purged down the drain as refrigerant gas warms the evaporator. When the evaporator warms, the sheet of cubes slides off the evaporator and into the storage bin. If all cubes fall clear of the water curtain (or ice damper) the ice machine starts another freeze cycle.

### Off Cycle

If the water curtain or ice damper are held open by ice cubes the ice machine shuts off. When the water curtain or ice damper closes the ice machine starts a new cycle at the water purge.

### Control Board Timers

The control board has the following non-adjustable timers:

- The ice machine is locked into the freeze cycle for 6 minutes before a harvest cycle can be initiated.
- The maximum freeze time is 60 minutes at which time the control board automatically initiates a harvest sequence.
- The maximum harvest time is 3.5 minutes. The control board automatically initiates a freeze sequence when these times are exceeded.

## SAFETY LIMITS

Safety limits are stored and indicated by the control board after three cycles. The number of cycles required to stop the ice machine varies for each safety limit.

- Safety Limit 1 - If the freeze time reaches 60 minutes, the control board automatically initiates a harvest cycle. If 6 consecutive 60-minute freeze cycles occur, the ice machine stops.
- Safety Limit 2 - If the harvest time reaches 3.5 minutes, the control board automatically returns the ice machine to the freeze cycle. If 500 consecutive 3.5 minute harvest cycles occur, the ice machine stops.

A safety limit is indicated by a flashing control board light labeled SL1 or SL2. Refer to section 5 if you receive a safety limit indication.

## SAFE OPERATION MODE

Allows the ice machine to operate up to 72 hours if the ice thickness probe and/or water level probe sensors fail.

- When the control board starts the safe mode an alert is flashed on the LCD display to notify the end-user they have a production problem.
- The control board automatically initiates and monitors the safe mode. The control will automatically exit the safe mode if a normal signal is received from the input.
- After 72 hours the control board will enter a standby mode and turn off.

### Operational Checks

#### GENERAL

Manitowoc ice machines are factory-operated and adjusted before shipment. Normally, new installations do not require any adjustment.

To ensure proper operation, always follow the Operational Checks:

- when starting the ice machine for the first time
- after a prolonged out of service period
- after cleaning and sanitizing

NOTE: Routine adjustments and maintenance procedures are not covered by the warranty.

#### ICE THICKNESS CHECK

After a harvest cycle, inspect the ice cubes in the ice storage bin. The ice thickness probe is factory-set to maintain the ice bridge thickness at 1/8" (3 mm).

NOTE: Make sure the water curtain is in place when performing this check. It prevents water from splashing out of the water trough.

1. Inspect the bridge connecting the cubes. It should be approximately 1/8" (3 mm) thick and the cubes should have a slight dimple.
2. If adjustment is necessary, turn the ice thickness probe adjustment screw clockwise to increase bridge thickness and counterclockwise to decrease bridge thickness. Set at 9/32" (7 mm) gap between ice thickness probe and evaporator as a starting point, then adjust to achieve a 1/8" (3 mm) bridge thickness.

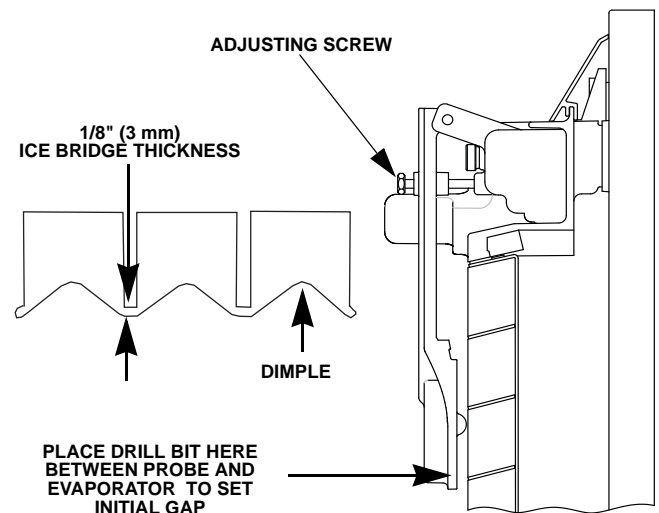
NOTE: Turning the adjustment 1/3 of a turn will change the ice thickness about 1/16" (1.5 mm).

3. Make sure the ice thickness probe wire doesn't restrict movement of the probe.

NOTE: During shipping and installation the ice thickness probe may shift, requiring further adjustment to achieve the rated energy efficiency and production. The ice weight per cycle must be within the minimum and maximum for your ice machine series. Capture and weigh the ice from the second freeze/harvest cycle. The target weight is the middle of the minimum and maximum weight in the chart below.

| Series Ice Machine | Ice Weight From One Cycle |                    |
|--------------------|---------------------------|--------------------|
|                    | Minimum Ice Weight        | Maximum Ice Weight |
| I0300              | 2.4 lbs                   | 2.8 lbs            |
| I0320              | 3.4 lbs                   | 3.9 lbs            |
| I0450              | 3.4 lbs                   | 3.9 lbs            |
| I0500              | 4.6 lbs                   | 5.2 lbs            |
| I0520              | 3.4 lbs                   | 3.9 lbs            |
| I0606              | 4.6 lbs                   | 5.2 lbs            |
| I0906              | 6.2 lbs                   | 7.2 lbs            |
| I1000              | 6.2 lbs                   | 7.2 lbs            |
| I1106              | 7.5 lbs                   | 8.5 lbs            |
| I1200              | 7.5 lbs                   | 8.25 lbs           |
| I1400              | 10.25 lbs                 | 11.5 lbs           |
| I1800              | 13.2 lbs                  | 14.8 lbs           |

Target weight is the middle of the minimum and maximum weight.



Setting Ice Thickness Probe

THIS PAGE INTENTIONALLY LEFT BLANK

# Section 4

## Maintenance

---

### Cleaning and Sanitizing

#### GENERAL

You are responsible for maintaining the ice machine in accordance with the instructions in this manual. Maintenance procedures are not covered by the warranty.

Clean and sanitize the ice machine every six months for efficient operation. If the ice machine requires more frequent cleaning and sanitizing, consult a qualified service company to test the water quality and recommend appropriate water treatment. An extremely dirty ice machine must be taken apart for cleaning and sanitizing.

Manitowoc Ice Machine Cleaner and Sanitizer are the only products approved for use in Manitowoc ice machines.

 **Caution**

Use only Manitowoc approved Ice Machine Cleaner and Sanitizer for this application (Manitowoc Cleaner part number 94-0546-3 and Manitowoc Sanitizer part number 94-0565-3). It is a violation of Federal law to use these solutions in a manner inconsistent with their labeling. Read and understand all labels printed on bottles before use.

 **Caution**

Do not mix Cleaner and Sanitizer solutions together. It is a violation of Federal law to use these solutions in a manner inconsistent with their labeling.

 **Warning**

Wear rubber gloves and safety goggles (and/or face shield) when handling Ice Machine Cleaner or Sanitizer.

#### CLEANING/SANITIZING PROCEDURE

This procedure must be performed a minimum of once every six months.

- The ice machine and bin must be disassembled cleaned and sanitized.
- All ice produced during the cleaning and sanitizing procedures must be discarded.
- Removes mineral deposits from areas or surfaces that are in direct contact with water.

#### PREVENTATIVE MAINTENANCE CLEANING PROCEDURE

- This procedure cleans all components in the water flow path, and is used to clean the ice machine between the bi-yearly cleaning/sanitizing procedure without removing the ice from the bin/dispenser.
- This technology will also allow initiation and completion of a clean or sanitize cycle, after which the ice machine automatically starts ice making again.

#### EXTERIOR CLEANING

Clean the area around the ice machine as often as necessary to maintain cleanliness and efficient operation.

Wipe surfaces with a damp cloth rinsed in water to remove dust and dirt from the outside of the ice machine. If a greasy residue persists, use a damp cloth rinsed in a mild dish soap and water solution. Wipe dry with a clean, soft cloth.

The exterior panels have a clear coating that is stain resistant and easy to clean. Products containing abrasives will damage the coating and scratch the panels.

- Never use steel wool or abrasive pads for cleaning.
- Never use chlorinated, citrus based or abrasive cleaners on exterior panels and plastic trim pieces.

**Cleaning / Sanitizing Procedure**

**⚠ Caution**

Use only Manitowoc approved Ice Machine Cleaner and Sanitizer for this application (Manitowoc Cleaner part number 94-0546-3 and Manitowoc Sanitizer part number 94-0565-3). It is a violation of Federal law to use these solutions in a manner inconsistent with their labeling. Read and understand all labels printed on bottles before use.

**CLEANING PROCEDURE**

**⚠ Caution**

Do not mix Cleaner and Sanitizer solutions together. It is a violation of Federal law to use these solutions in a manner inconsistent with their labeling.

**⚠ Warning**

Wear rubber gloves and safety goggles (and/or face shield) when handling Ice Machine Cleaner or Sanitizer.

Ice machine cleaner is used to remove lime scale and mineral deposits. Ice machine sanitizer disinfects and removes algae and slime.

NOTE: Although not required and dependent on your installation, removing the ice machine top cover may allow easier access.

**Step 1** Open the front door to access the evaporator compartment. Ice must not be on the evaporator during the clean/sanitize cycle. Follow one of the methods below:

- Press the power switch at the end of a harvest cycle after ice falls from the evaporator(s).
- Press the power switch and allow the ice to melt.

**⚠ Caution**

Never use anything to force ice from the evaporator. Damage may result.

**Step 2** Remove all ice from the bin/dispenser.

**Step 3** Press the clean button. Water will flow through the water dump valve and down the drain. Wait until the water trough refills and the display indicates add chemical (approximately 1 minute), then add the proper amount of ice machine cleaner.

| Model  | Amount of Cleaner |
|--|-------------------|
| I0300/I0320/I0520                                  | 3 ounces (90 ml)  |
| I0450/I0500/I0600/I0850<br>I0900/I1000/I1100/I1200 | 5 ounces (150 ml) |
| I1400/I1800  | 9 ounces (265 ml) |

**Step 4** Wait until the clean cycle is complete (approximately \*24 minutes). Then disconnect power to the ice machine (and dispenser when used).

**⚠ Warning**

Disconnect the electric power to the ice machine at the electric service switch box.

**Step 5** Remove parts for cleaning.

**Please refer to the proper parts removal for your ice machine. Continue with step 6 when the parts have been removed.**

**Single Evaporator Ice Machines - Page 40**

**Step 6** Mix a solution of cleaner and lukewarm water. Depending upon the amount of mineral buildup, a larger quantity of solution may be required. Use the ratio in the table below to mix enough solution to thoroughly clean all parts.

| Solution Type | Water        | Mixed With             |
|---------------|--------------|------------------------|
| Cleaner       | 1 gal. (4 L) | 16 oz (500 ml) cleaner |

**Step 7** Use 1/2 of the cleaner/water mixture to clean all components. The cleaner solution will foam when it contacts lime scale and mineral deposits; once the foaming stops use a soft-bristle nylon brush, sponge or cloth (NOT a wire brush) to carefully clean the parts. All parts except the ice thickness probe can be soaked when heavily scaled. Rinse all components with clean water.

**Step 8** While components are soaking, use 1/2 of the cleaner/water solution to clean all foodzone surfaces of the ice machine and bin (or dispenser). Use a nylon brush or cloth to thoroughly clean the following ice machine areas:

- Side walls
- Base (area above water trough)
- Evaporator plastic parts - including top, bottom, and sides
- Bin or dispenser

Rinse all areas thoroughly with clean water.

#### SANITIZING PROCEDURE

**Step 9** Mix a solution of sanitizer and lukewarm water.

| Solution Type | Water         | Mixed With             |
|---------------|---------------|------------------------|
| Sanitizer     | 3 gal. (12 L) | 2 oz (60 ml) sanitizer |

**Step 10** Use 1/2 of the sanitizer/water solution to sanitize all removed components. Use a spray bottle to liberally apply the solution to all surfaces of the removed parts or soak the removed parts in the sanitizer/water solution. Do not rinse parts after sanitizing.

**Step 11** Use 1/2 of the sanitizer/water solution to sanitize all foodzone surfaces of the ice machine and bin (or dispenser). Use a spray bottle to liberally apply the solution. When sanitizing, pay particular attention to the following areas:

- Side walls
- Base (area above water trough)
- Evaporator plastic parts - including top, bottom and sides
- Bin or dispenser

Do not rinse the sanitized areas.

**Step 12** Replace all removed components.

**Step 13** Wait 20 minutes.

**Step 14** Reapply power to the ice machine and press the Clean button.

**Step 15** Wait until the water trough refills and the display indicates add chemical (approximately 1 minute). Add the proper amount of Manitowoc Ice Machine Sanitizer to the water trough.

| Model  | Amount of Sanitizer |
|--|---------------------|
| I0300/I0320/I0520                                  | 3 ounces (90 ml)    |
| I0450/I0500/I0600/I0850<br>I0900/I1000/I1100/I1200 | 3 ounces (90 ml)    |
| I1400/I1800  | 6 ounces (180 ml)   |

**Step 16** Select Auto Ice On, press the Checkmark and close and secure the front door. The ice machine will automatically start ice making after the sanitize cycle is complete (approximately 24 minutes).

## Parts Removal for Cleaning/Sanitizing

### Single Evaporator Ice Machines

#### A. Remove the water curtain

- Gently flex the curtain in the center and remove it from the right side.
- Slide the left pin out.

#### B. Remove the water trough

- Depress tabs on right and left side of the water trough.
- Allow front of water trough to drop as you pull forward to disengage the rear pins.

#### C. Remove the water level probe

- Pull the water level probe straight down to disengage.
- Lower the water level probe until the wiring connector is visible.
- Disconnect the wire lead from the water level probe.
- Remove the water level probe from the ice machine.

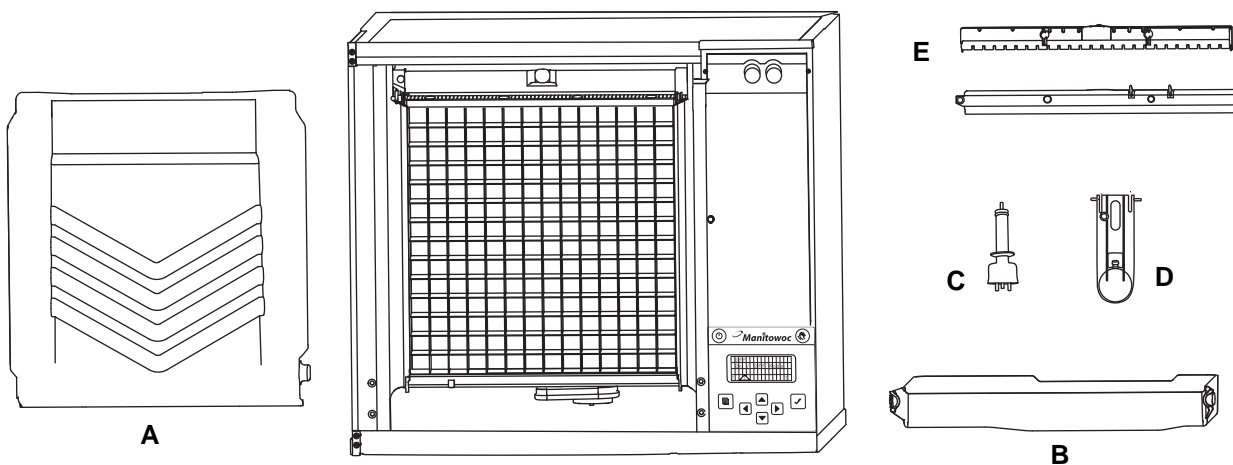
#### D. Remove the ice thickness probe

- Compress the hinge pin on the top of the ice thickness probe.
- Pivot the ice thickness probe to disengage one pin then the other. The ice thickness probe can be cleaned at this point without complete removal. If complete removal is desired, disconnect the ice thickness control wiring from the control board.

#### E. Remove the water distribution tube

NOTE: Distribution tube thumbscrews are retained to prevent loss. Loosen thumbscrews but do not pull thumbscrews out of distribution tube.

- Loosen the two outer screws (do not remove screws completely they are retained to prevent loss) and pull forward on the distribution tube to release from slip joint.
- Disassemble distribution tube by loosening the two (2) middle thumbscrews and dividing the distribution tube into two pieces.
- Proceed to Page 39 Step 6





**Preventative Maintenance Cleaning Procedure**


This procedure cleans all components in the water flow path, and is used to clean the ice machine between the bi-yearly cleaning/sanitizing procedure.

Ice machine cleaner is used to remove lime scale and mineral deposits. Ice machine sanitizer disinfects and removes algae and slime.

NOTE: Although not required and dependent on your installation, removing the ice machine top cover may allow easier access.

**Step 1** Ice must not be on the evaporator during the clean/sanitize cycle. Follow one of the methods below:

- Press the power switch at the end of a harvest cycle after ice falls from the evaporator(s).
- Press the power switch and allow the ice to melt.

 **Caution**

Never use anything to force ice from the evaporator. Damage may result.

**Step 2** Open the front door to access the evaporator.

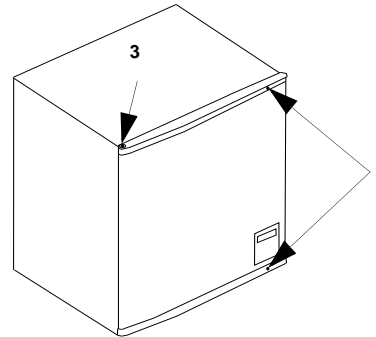
**Step 3** Press the Clean button. Water will flow through the water dump valve and down the drain. Wait until the water trough refills and the display indicates "Add Chemical" (approximately 1 minute), then add the proper amount of ice machine cleaner.

| Model  | Amount of Cleaner |
|--|-------------------|
| I0300/I0320/I0520                                  | 3 ounces (90 ml)  |
| I0450/I0500/I0600/I0850<br>I0900/I1000/I1100/I1200 | 5 ounces (150 ml) |
| I1400/I1800  | 9 ounces (265 ml) |

**Step 4** Select "Auto Ice On", press the Checkmark and close and secure the front door. The ice machine will automatically start ice making after the clean cycle is complete (approximately 24 minutes).

**Door Removal**

1. Use a phillips screwdriver to loosen the two screws securing the door. Do not remove they are retained to prevent loss.
2. Open left front door to 90 degrees. .



**Door Removal**

3. Support with right hand, depress top pin, tilt top of door forward and lift out of bottom pin to remove.

## Cleaning the Condenser Filter

The washable filter on self-contained ice machines is designed to catch dust, dirt, lint and grease. Clean the filter with a mild soap and water.

## Cleaning the Condenser

### GENERAL

#### **Warning**

Disconnect electric power to the ice machine head section and the remote condensing unit at the electric service switches before cleaning the condenser.

A dirty condenser restricts airflow, resulting in excessively high operating temperatures. This reduces ice production and shortens component life.

- Clean the condenser at least every six months.

#### **Warning**

The condenser fins are sharp. Use care when cleaning them.

- Shine a flashlight through the condenser to check for dirt between the fins.
- Blow compressed air or rinse with water from the inside out (opposite direction of airflow).
- If dirt still remains call a service agent to clean the condenser.

## Removal from Service/Winterization

1. Clean and sanitize the ice machine.
2. Press the power button and turn off the ice machine.
3. Turn off the water supply, disconnect and drain the incoming ice-making water line at the rear of the ice machine and drain the water trough.
4. Energize the ice machine, wait one minute for the water inlet valve to open and blow compressed air in both the incoming water and the drain openings in the rear of the ice machine to remove all water.
5. Press the power button and turn off the ice machine. Disconnect the electric power at the circuit breaker or the electric service switch.
6. Fill spray bottle with sanitizer/water solution and spray all interior food zone surfaces. Do not rinse and allow to air dry.
7. Replace all panels.

### WATER-COOLED ICE MACHINES

1. Perform steps 1-6 under "Self-Contained Air-Cooled Ice Machines."
2. Disconnect the incoming water and drain line from the water-cooled condenser.
3. Energize the ice machine in the freeze cycle. The increasing refrigerant pressure will open the water regulating valve.
4. Blow compressed air through the condenser until no water remains.
5. Replace all panels.

## Section 5

### Customer Support

#### Checklist

If a problem arises during operation of your ice machine, follow the checklist below before calling service. Routine adjustments and maintenance procedures are not covered by the warranty.

| Problem   | Possible Cause   | To Correct   |
|---|--|--|
| Ice machine does not operate.   | No electrical power to the ice machine and/or condensing unit.           | Replace the fuse/reset the breaker/turn on the main switch.  |
|   | High pressure cutout tripping.   | Clean condenser coil. (See Section 4)  |
|   | Energy Saver or other field entered programming is stopping ice machine. | Reset to factory defaults. (See Section 3)   |
|   | Water curtain off or stuck open.   | Water curtain must be installed and swinging freely.   |
|   | Ice machine is not turned on.  | Press power button, display must indicate "Ice Making".  |
| Ice machine stops, and can be restarted by pressing the power switch. | Safety limit feature stopping the ice machine.                           | Refer to "Safety Limit Feature" on the next page.  |
| Ice machine does not release ice or is slow to harvest.               | Ice machine is dirty.  | Clean and sanitize the ice machine. (See Section 4)  |
|   | Ice machine is not level.  | Level the ice machine. (See Section 2)   |
|   | Low air temperature around ice machine head section.                     | Air temperature must be at least 35°F (2°C).   |
|   |  |  |
| Ice machine does not cycle into harvest mode.                         | The six-minute freeze time lock-in has not expired yet.                  | Wait for the freeze lock-in to expire.   |
|   | Ice thickness probe is dirty.  | Clean and sanitize the ice machine. (See Section 4)  |
|   | Ice thickness probe is disconnected.                                     | Connect the probe to the control board.  |
|   | Ice thickness probe is out of adjustment.                                | Adjust the ice thickness probe. (See Section 3)  |
|   | Uneven ice fill (thin at the top of evaporator).                         | Verify sufficient water level in sump trough. Contact a qualified service company to check refrigeration system.           |
| Ice quality is poor (soft or not clear).                              | Poor incoming water quality.   | Contact a qualified service company to test the quality of the incoming water and make appropriate filter recommendations. |
|   | Water filtration is poor.  | Replace the filter.  |
|   | Ice machine is dirty.  | Clean and sanitize the ice machine. (See Section 4)  |
|   | Water dump valve is not working.   | Disassemble and clean the water dump valve. (See Section 4)  |
|   | Water softener is working improperly (if applicable).                    | Repair the water softener.   |

| Problem  | Possible Cause  | To Correct   |
|--|---|--|
| Ice machine produces shallow or incomplete cubes, or the ice fill pattern on the evaporator is incomplete. | Ice thickness probe is out of adjustment.             | Adjust the ice thickness probe. (See Section 4)  |
|  | Water trough level is too low.                        | Check the water level probe for damage. (See Section 3)  |
|  | Water inlet valve filter screen is dirty.             | Remove the water inlet valve and clean the filter screen. (See Section 4)  |
|  | Water filtration is poor.                             | Replace the filter.  |
|  | Hot incoming water.                                   | Connect the ice machine to a cold water supply. (See Section 2)  |
|  | Water inlet valve is not working.                     | Replace the water inlet valve.   |
|  | Incorrect incoming water pressure.                    | Water pressure must be 20-80 psi (140 kPa - 550 kPa).  |
|  | Ice machine is not level.                             | Level the ice machine. (See Section 2)   |
| Low ice capacity.  | Water inlet valve filter screen is dirty.             | Remove the water inlet valve and clean the filter screen.  |
|  | Incoming water supply is shut off.                    | Open the water service valve.  |
|  | Water inlet valve stuck open or leaking.              | Press the power button and turn off the ice machine, if water continues to enter water trough replace the water inlet valve. |
|  | The condenser is dirty.                               | Clean the condenser. (See Section 4)   |
|  | High air temperature entering condenser.              | Air temperature must not exceed 120°F (39°C).  |
|  | The harvest assist air compressor is not functioning. | Call for service.  |

### Safety Limit Feature

In addition to the standard safety controls, such as the high pressure cutout, your Manitowoc ice machine features built-in safety limits which will stop the ice machine if conditions arise which could cause a major component failure.

Before calling for service, re-start the ice machine using the following procedure:

1. Press the power button, the display reads "Off". Press the power button again and the display reads "Making Ice".
  - A. If the safety limit feature has stopped the ice machine, it will restart after a short delay. Proceed to step 2.
  - B. If the ice machine does not restart, see "Ice machine does not operate" on the previous page.
2. Allow the ice machine to run to determine if the condition repeats.
  - A. If the ice machine stops again, the condition has repeated. Call for service.
  - B. If the ice machine continues to run, the condition has corrected itself. Allow the ice machine to continue running.

**Commercial Ice Machine Warranty**

Manitowoc Ice, Inc. (hereinafter referred to as the "COMPANY") warrants for a period of thirty-six months from the installation date (except as limited below) that new ice machines manufactured by the COMPANY shall be free of defects in material or workmanship under normal and proper use and maintenance as specified by the COMPANY and upon proper installation and start-up in accordance with the instruction manual supplied with the ice machine. The COMPANY's warranty hereunder with respect to the compressor shall apply for an additional twenty-four months, excluding all labor charges, and with respect to the evaporator for an additional twenty-four months, including labor charges.

The obligation of the COMPANY under this warranty is limited to the repair or replacement of parts, components, or assemblies that in the opinion of the COMPANY are defective. This warranty is further limited to the cost of parts, components or assemblies and standard straight time labor charges at the servicing location.

Time and hourly rate schedules, as published from time to time by the COMPANY, apply to all service procedures. Additional expenses including without limitation, travel time, overtime premium, material cost, accessing or removal of the ice machine, or shipping are the responsibility of the owner, along with all maintenance, adjustments, cleaning, and ice purchases. Labor covered under this warranty must be performed by a COMPANY Contracted Service Representative or a refrigeration service agency as qualified and authorized by the COMPANY's local Distributor. The COMPANY's liability under this warranty shall in no event be greater than the actual purchase price paid by customer for the ice machine.

The foregoing warranty shall not apply to (1) any part or assembly that has been altered, modified, or changed; (2) any part or assembly that has been subjected to misuse, abuse, neglect, or accidents; (3) any ice machine that has been installed and/or maintained inconsistent with the technical instructions provided by the COMPANY; or (4) any ice machine initially installed more than five years from the serial number production date. This warranty shall not apply if the Ice Machine's refrigeration system is modified with a condenser, heat reclaim device, or parts and assemblies other than those manufactured by the COMPANY, unless the COMPANY approves these modifications for specific locations in writing.

**THIS WARRANTY IS IN LIEU OF ALL OTHER WARRANTIES OR GUARANTEES OF ANY KIND, EXPRESSED OR IMPLIED, INCLUDING ANY IMPLIED WARRANTY OF MERCHANTABILITY OR FITNESS FOR A PARTICULAR PURPOSE.** In no event shall the COMPANY be liable for any special, indirect, incidental or consequential damages. Upon the expiration of the warranty period, the COMPANY's liability under this warranty shall terminate. The foregoing warranty shall constitute the sole liability of the COMPANY and the exclusive remedy of the customer or user.

To secure prompt and continuing warranty service, the warranty registration card must be completed and sent to the COMPANY within five (5) days from the installation date.

Complete the following and retain for your record:

Distributor/Dealer \_\_\_\_\_  
Model Number \_\_\_\_\_ Serial Number \_\_\_\_\_  
Installation Date \_\_\_\_\_

**MANITOWOC ICE**  
2110 So. 26th St., P.O. Box 1720, Manitowoc, WI 54221-1720  
Telephone: 920-682-0161 • Fax: 920-683-7585  
Web Site - [www.manitowocice.com](http://www.manitowocice.com)

## Residential Ice Machine Limited Warranty

### WHAT DOES THIS LIMITED WARRANTY COVER?

Subject to the exclusions and limitations below, Manitowoc Foodservice ("Manitowoc") warrants to the original consumer that any new ice machine manufactured by Manitowoc (the "Product") shall be free of defects in material or workmanship for the warranty period outlined below under normal use and maintenance, and upon proper installation and start-up in accordance with the instruction manual supplied with the Product.

### HOW LONG DOES THIS LIMITED WARRANTY LAST?

| <u>Product Covered</u> | <u>Warranty Period</u>                |
|------------------------|---------------------------------------|
| Ice Machine            | Twelve (12) months from the sale date |

### WHO IS COVERED BY THIS LIMITED WARRANTY?

This limited warranty only applies to the original consumer of the Product and is not transferable.

### WHAT ARE MANITOWOC ICE'S OBLIGATIONS UNDER THIS LIMITED WARRANTY?

If a defect arises and Manitowoc receives a valid warranty claim prior to the expiration of the warranty period, Manitowoc shall, at its option: (1) repair the Product at Manitowoc's cost, including standard straight time labor charges, (2) replace the Product with one that is new or at least as functionally equivalent as the original, or (3) refund the purchase price for the Product. Replacement parts are warranted for 90 days or the balance of the original warranty period, whichever is longer. The foregoing constitutes Manitowoc's sole obligation and the consumer's exclusive remedy for any breach of this limited warranty. Manitowoc's liability under this limited warranty is limited to the purchase price of Product. Additional expenses including, without limitation, service travel time, overtime or premium labor charges, accessing or removing the Product, or shipping are the responsibility of the consumer.

### HOW TO OBTAIN WARRANTY SERVICE

To obtain warranty service or information regarding your Product, please contact us at:

MANITOWOC ICE

2110 So. 26th St.

P.O. Box 1720,

Manitowoc, WI 54221-1720

Telephone: 920-682-0161 Fax: 920-683-7585

[www.manitowocice.com](http://www.manitowocice.com)

### WHAT IS NOT COVERED?

This limited warranty does not cover, and you are solely responsible for the costs of: (1) periodic or routine maintenance, (2) repair or replacement of the Product or parts due to normal wear and tear, (3) defects or damage to the Product or parts resulting from misuse, abuse, neglect, or accidents, (4) defects or damage to the Product or parts resulting from improper or unauthorized alterations, modifications, or changes; and (5) defects or damage to any Product that has not been installed and/or maintained in accordance with the instruction manual or technical instructions provided by Manitowoc. To the extent that warranty exclusions are not permitted under some state laws, these exclusions may not apply to you.

EXCEPT AS STATED IN THE FOLLOWING SENTENCE, THIS LIMITED WARRANTY IS THE SOLE AND EXCLUSIVE WARRANTY OF MANITOWOC WITH REGARD TO THE PRODUCT. ALL IMPLIED WARRANTIES ARE STRICTLY LIMITED TO THE DURATION OF THE LIMITED WARRANTY APPLICABLE TO THE PRODUCTS AS STATED ABOVE, INCLUDING BUT NOT LIMITED TO, ANY WARRANTY OF MERCHANTABILITY OR OF FITNESS FOR A PARTICULAR PURPOSE.

Some states do not allow limitations on how long an implied warranty lasts, so the above limitation may not apply to you.

IN NO EVENT SHALL MANITOWOC OR ANY OF ITS AFFILIATES BE LIABLE TO THE CONSUMER OR ANY OTHER PERSON FOR ANY INCIDENTAL, CONSEQUENTIAL OR SPECIAL DAMAGES OF ANY KIND (INCLUDING, WITHOUT LIMITATION, LOSS PROFITS, REVENUE OR BUSINESS) ARISING FROM OR IN ANY MANNER CONNECTED WITH THE PRODUCT, ANY BREACH OF THIS LIMITED WARRANTY, OR ANY OTHER CAUSE WHATSOEVER, WHETHER BASED ON CONTRACT, TORT OR ANY OTHER THEORY OF LIABILITY.

Some states do not allow the exclusion or limitation of incidental or consequential damages, so the above limitation or exclusion may not apply to you.

### HOW STATE LAW APPLIES

This limited warranty gives you specific legal rights, and you may also have rights that vary from state to state or from one jurisdiction to another.

### REGISTRATION CARD

To secure prompt and continuing warranty service, this warranty registration card must be completed and sent to Manitowoc within thirty (30) days from the sale date. Complete the following registration card and send it to Manitowoc.

# Table des matières

---

## Section 1 Généralités

|                                     |    |
|-------------------------------------|----|
| <b>Références des modèles</b> ..... | 49 |
| Déflecteur de glaçons .....         | 49 |
| Installation du bac .....           | 50 |
| Installation du distributeur .....  | 50 |

## Section 2 Instructions d'installation

|   |    |
|---|----|
| <b>Emplacement de la machine à glaçons</b> .....  | 51 |
| <b>Conditions d'espace requises</b> .....   | 51 |
| <b>Machine à glaçons Chaleur de rejet</b> .....   | 52 |
| <b>Retrait du bouchon de vidange et mise à niveau du bac de stockage de glaçons</b> .....       | 52 |
| <b>Chicane d'air</b> .....  | 52 |
| <b>Alimentation électrique</b> .....  | 53 |
| Tension .....   | 53 |
| Fusible/Disjoncteur .....   | 53 |
| Courant admissible de circuit minimum .....   | 53 |
| Conditions électriques requises .....   | 53 |
| Différentiel .....  | 53 |
| Spécifications minimales de cordon d'alimentation .....   | 53 |
| Royaume-uni uniquement .....  | 53 |
| <b>Tableau des dimensions maximales de disjoncteur et d'intensité minimale du circuit</b> ..... | 54 |
| <b>Conditions requises d'alimentation en eau et d'évacuations</b> .....                         | 55 |
| Alimentation en eau .....   | 55 |
| Lignes d'arrivée d'eau .....  | 55 |
| Raccordements d'évacuation .....  | 55 |
| Pression d'eau du condenseur refroidi par eau .....   | 55 |
| Applications avec tour de refroidissement (Modèles refroidis par eau) .....                     | 55 |
| <b>Dimensionnement/Raccordement des conduites d'alimentation en eau et d'évacuation</b> .....   | 56 |
| <b>Installation de condenseur à distance/de conduites</b> .....                                 | 57 |
| Machines à glaçons à distance   |    |
| Charge de liquide frigorigène .....   | 57 |
| Généralités .....   | 58 |
| Directives pour acheminement des conduites .....  | 58 |
| Calculer les distances d'installation de condenseur à distance .....                            | 59 |
| Allongement ou diminution des longueurs de conduites .....                                      | 60 |
| Connexion de conduites .....  | 60 |
| Robinet de service du récepteur à distance .....  | 60 |

## Table des matières (suite)

---

|   |           |
|---|-----------|
| <b>Emploi de machine à glaçons à distance avec condenseurs à circuits multiples de marque autre que Manitowoc</b> ..... | <b>61</b> |
| Garantie .....  | <b>61</b> |
| Vanne de contrôle de pression de refoulement .....  | <b>61</b> |
| Moteur de ventilateur .....   | <b>61</b> |
| Volume interne de condenseur .....  | <b>61</b> |
| Condenseur $\Delta T$ .....   | <b>61</b> |
| Charge de liquide frigorigène .....   | <b>61</b> |
| Raccords à branchement rapide .....   | <b>61</b> |
| Tableau de dimensionnement de condenseur à circuits multiples autre que Manitowoc .....                                 | <b>62</b> |
| <b>Liste de vérification d'installation</b> .....   | <b>63</b> |
| <b>Contrôles additionnels pour modèles à distance</b> .....   | <b>63</b> |
| <b>Avant la mise en marche de la machine à glaçons</b> .....  | <b>63</b> |
| <b>Régler la date et l'heure</b> .....  | <b>64</b> |
| <b>Défauts usine</b> .....  | <b>64</b> |



**Section 3**  
**Fonctionnement**

|   |           |
|---|-----------|
| <b>Caractéristiques Panneau de commande</b> ..... | <b>65</b> |
| Boutons .....                                     | 65        |
| Panneau d'affichage .....                         | 65        |
| <b>Vue d'ensemble de Navigation Menu</b> .....    | <b>66</b> |
| <b>Navigation Panneau d'affichage</b> .....       | <b>67</b> |
| <b>Alertes et Messages</b> .....                  | <b>67</b> |
| <b>Menu principal</b> .....                       | <b>68</b> |
| <b>Menu Info machine</b> .....                    | <b>68</b> |
| <b>Menu Config</b> .....                          | <b>68</b> |
| Heure et Date .....                               | 69        |
| Configuration de l'heure .....                    | 69        |
| Heure d'été .....                                 | 69        |
| Unités .....                                      | 69        |
| Clarté de la glace .....                          | 69        |
| Brillance LED .....                               | 69        |
| Défauts usine .....                               | 70        |
| LED Marche/Arrêt .....                            | 70        |
| Rappel nettoyage .....                            | 70        |
| Durée SyNA .....                                  | 70        |
| Filtre air .....                                  | 70        |
| Filtre eau .....                                  | 71        |
| LuminIce™ .....                                   | 71        |
| Réglage USB .....                                 | 71        |
| Langue .....                                      | 71        |
| <b>Menu Écono éner</b> .....                      | <b>72</b> |
| Éco eau .....                                     | 72        |
| Programmation glace .....                         | 72        |
| Statistiques .....                                | 72        |
| <b>Menu Service</b> .....                         | <b>73</b> |
| Historique .....                                  | 73        |
| Don temp rée .....                                | 73        |
| Diagnostics .....                                 | 73        |
| Recueil manuel .....                              | 73        |
| <b>Séquence de fabrication des glaçons</b> .....  | <b>74</b> |
| Limites de sécurité .....                         | 74        |
| <b>Vérifications opérationnelles</b> .....        | <b>75</b> |
| Généralités .....                                 | 75        |
| Contrôle de l'épaisseur des glaçons .....         | 75        |

**Section 4**  
**Entretien**

|   |           |
|---|-----------|
| <b>Nettoyage et désinfection</b> .....                            | <b>77</b> |
| Généralités .....   | 77        |
| Procédure de nettoyage et de désinfection .....                   | 77        |
| Procédure de nettoyage pour l'entretien préventif .....           | 77        |
| Nettoyage extérieur .....   | 77        |
| <b>Procédure de nettoyage et de désinfection</b> .....            | <b>78</b> |
| Procédure de nettoyage .....                                      | 78        |
| Procédure de désinfection .....                                   | 79        |
| <b>Retrait des pièces pour le nettoyage/la désinfection</b> ..... | <b>80</b> |
| <b>Procédure de nettoyage pour l'entretien préventif</b> .....    | <b>82</b> |
| <b>Retrait des portes</b> .....                                   | <b>82</b> |
| <b>Nettoyage du condenseur</b> .....                              | <b>83</b> |
| Généralités .....   | 83        |
| <b>Mise hors service/Hivérization</b> .....                       | <b>83</b> |

**Section 5**  
**Service clientèle**

|   |           |
|---|-----------|
| <b>Liste de vérification</b> .....                                  | <b>85</b> |
| <b>Fonction de limite de sécurité</b> .....                         | <b>86</b> |
| <b>Garantie commerciale de la machine à glaçons</b> .....           | <b>87</b> |
| <b>Garantie limitée résidentielle de la machine à glaçons</b> ..... | <b>88</b> |

# Section 1

## Généralités

### Références des modèles

Le présent manuel s'applique aux socle modèles suivants :

| Self-Contained<br>Air-Cooled             | Self-Contained<br>Water-Cooled                      | Remote                        |
|--|---|-------------------------------|
| ID0302A - IY0304A                        | ID0303W - IY0305W                                   | ----                          |
| ID0306A - IY0306A                        | ID0306W - IY0306W                                   | ----                          |
| ID0322A - IY0324A<br>IYP0324A            | ID0323W - IY0325W<br>----                           | ----                          |
| ID0452A - IY0454A                        | ID0453W - IY0455W                                   | ----                          |
| ID0456A - IY0456A                        | ID0456W - IY0456W                                   | ----                          |
| IR0500A - ID0502A<br>IY0504A<br>IYP0504A | IR0501W - ID0503W<br>IY0505W<br>----                | IR0590N<br>ID0592N<br>IY0594N |
| IR0520A - ID0522A<br>IY0524A             | IR0521W - ID0523W<br>IY0525W                        | ----                          |
| ID0602A<br>IY0604A                       | ID0603W<br>IY0605W                                  | ID0692N<br>IY0694N            |
| ID0606A<br>IY0606A                       | ID0606W<br>IY0606W                                  | ID0696N<br>IY0696N            |
| IR0850A<br>ID0852A<br>IY0854A            | IR0851W<br>ID0853W<br>IY0855W                       | IR0890N<br>ID0892N<br>IY0894N |
| IR0906A<br>ID0906A<br>IY0906A            | IR0906W<br>ID0906W<br>IY0906W                       | IR0996N<br>ID0996N<br>IY0996N |
| ID1002A<br>IY1004A                       | ID1003W<br>IY1005W<br>ID1003WM                      | ID1092N<br>IY1094N            |
| ID1106A<br>IY1106A                       | ID1106W<br>IY1106W                                  | ID1196N<br>IY1196N            |
| ID1202A - IY1204A                        | ID1203W - ID1203WM<br>IY1205W - IY1205WM            | ---                           |
| ID1402A<br>IY1404A                       | ID1403W - ID1403WM<br>IY1405W - IY1405WM            | ID1492N<br>IY1494N            |
| ID1406A<br>IY1406A                       | ID1406W - ID1406WM<br>IY1406W - IY1406WM            | ID1496N<br>IY1496N            |
| IR1800A<br>ID1802A<br>IY1804A            | IR1801W<br>ID1803W - ID1803WM<br>IY1805W - IY1805WM | IR1890N<br>ID1892N<br>IY1894N |
| IR1806A<br>ID1806A<br>IY1806A            | IR1806W<br>ID1806W - ID1806WM<br>IY1806W - IY1806WM | IR1896N<br>ID1896N<br>IY1896N |

REMARQUE : Les numéros de modèle se terminant en HP indiquent la présence d'une vanne de régulation d'eau sous haute pression. Pression standard = 10,34 bars (150 psi) Haute pression = 24,13 bars (350 psi)

#### Avertissement

Retirer tous les panneaux de la machine à glaçons avant de la soulever ou l'installer.

#### DÉFLECTEUR DE GLAÇONS

Un déflecteur est requis pour toutes les machines à glaçons installées sur un bac. Un déflecteur n'est pas requis pour les machines à glaçons installées sur un distributeur.

#### Avertissement

Les machines à glaçons Manitowoc requièrent un déflecteur lorsqu'elles sont installées sur un bac de stockage de glaçons.

Avant toute utilisation d'un système de stockage de glaçons autre que Manitowoc avec des machines à glaçons Manitowoc, contacter le fabricant pour s'assurer de la compatibilité du déflecteur avec les machines à glaçons Manitowoc.

#### Avertissement

Ne pas utiliser un équipement qui aura été mal utilisé, abusé, négligé, endommagé ou dont les spécifications originales de fabrication auront été altérées/modifiées.

Le présent appareil ne doit pas être utilisé par des personnes (enfants y compris) ayant des capacités physiques, sensorielles ou mentales diminuées, ou ayant un manque d'expérience et de connaissance, à moins que celles-ci n'aient reçu une formation sur l'utilisation de l'appareil par une personne responsable de leur sécurité.

**INSTALLATION DU BAC**

- Toutes les machines à glaçons installées sur un bac requièrent un déflecteur de glaçons.
- Les bacs Manitowoc sont équipés d'un déflecteur et ne nécessitent aucune modification lorsqu'ils sont utilisés avec un évaporateur tourné vers l'avant.
- Les machines à glaçons comportant plusieurs évaporateurs nécessitent un kit déflecteur.

**LuminIce™**

L'inhibiteur de croissance LuminIce™ fait circuler l'air dans la zone alimentaire de la machine à glaçons sur une ampoule UV. Ce procédé entravera la croissance de micro-organismes communs sur toutes les surfaces exposées de la zone alimentaire.

- Les ampoules LuminIce™ doivent être remplacées sur une base annuelle. Même si l'ampoule illuminera encore après 12 mois, l'efficacité de l'ampoule diminue au fur et à mesure que les heures de fonctionnement augmentent. Pour garder une efficacité maximale, remplacer l'ampoule tous les 12 mois.
- Le tableau de commande peut être réglé pour afficher automatiquement un rappel après 12 mois. Se référer à la Section 2 pour des détails complets.

**Procédure de nettoyage lors d'un bris accidentel de l'ampoule**

La procédure de nettoyage est identique à la procédure utilisée pour nettoyer la lampe fluorescente compacte (LFC) ou les tubes fluorescents. Ces lampes contiennent une petite quantité de mercure scellé dans le tube de verre. Briser ce type de lampes relâchera du mercure et des vapeurs de mercure. L'ampoule brisée peut continuer de relâcher des vapeurs de mercure jusqu'à ce qu'elle soit nettoyée et enlevée.

Les procédures les plus récentes de l'EPA peuvent être consultées sur leur site web au [www.epa.gov/cfl/cflcleanup.html](http://www.epa.gov/cfl/cflcleanup.html).

**INSTALLATION DU DISTRIBUTEUR**

- Aucun adaptateur n'est requis pour les machines adaptées aux dimensions du distributeur sauf spécification du fabricant du distributeur.
- Aucun déflecteur n'est requis sauf spécification du fabricant du distributeur.
- Il est recommandé d'installer un thermostat de bac pour contrôler le niveau de la glace.

## Section 2

# Instructions d'installation

### Emplacement de la machine à glaçons

Le choix de l'emplacement pour la machine à glaçons doit respecter les critères suivants. Si l'un de ces critères n'est pas respecté, choisir un autre emplacement.

- L'emplacement doit être exempt d'agents aéroportés et de toute autre substance contaminante.
- La température de l'air doit être au moins de 1,6 °C (35 °F) sans toutefois excéder 43,4 °C (110 °F).
- Refroidissement à l'air à distance - La température de l'air doit être au moins de -29 °C (-20 °F) sans toutefois excéder 49 °C (120 °F).
- L'emplacement ne doit pas se trouver à proximité d'appareils générateurs de chaleur ou à la lumière directe du soleil, et doit être protégé des intempéries.
- L'emplacement ne doit pas obstruer l'écoulement d'air dans la machine ou autour de celle-ci. Consulter le tableau ci-dessous pour obtenir les conditions d'espace requises.

Ces machines à glaçons sont prévues pour un usage domestique et applications similaires telles :

- Les cuisinettes d'employés dans des magasins, des bureaux et autres environnements de travail
- Les clients des hôtels, des motels, des auberges, des chambres d'hôtes et autres environnements de type résidentiel
- Restauration et applications similaires non au détail



#### **Avertissement**

Font pas obstruer glace usiner orifice ou poste vacant

### Conditions d'espace requises

| <b>10300</b> | <b>Autonome refroidissement à l'air</b> | <b>Autonome refroidissement à l'eau</b> |
|--------------|---|---|
| Haut/Côtés   | 40,6 cm (16 po)                         | 20,3 cm (8 po)                          |
| Arrière      | 12,7 cm (5 po)                          | 12,7 cm (5 po)                          |

| <b>10450/10500/10600/10850<br/>10900/11000/11100</b> | <b>Autonome refroidissement à l'air</b> | <b>Refroidissement à l'eau et À distance*</b> |
|--|---|---|
| Haut/Côtés   | 20,3 cm (8 po)                          | 20,3 cm (8 po)                                |
| Arrière  | 12,7 cm (5 po)                          | 12,7 cm (5 po)                                |

| <b>10320/10520</b> | <b>Autonome refroidissement à l'air</b> | <b>Refroidissement à l'eau et À distance*</b> |
|--------------------|---|---|
| Haut/Côtés         | 30,5 cm (12 po)                         | 20,3 cm (8 po)                                |
| Arrière            | 12,7 cm (5 po)                          | 12,7 cm (5 po)                                |

| <b>10500<br/>230/50/1 Classe<br/>Tropiques</b> | <b>Autonome refroidissement à l'air</b> |
|--|---|
| Haut   | 61,0 cm (24 po)                         |
| Côtés/Arrière                                  | 30,5 cm (12 po)                         |

| <b>10520</b> | <b>Autonome refroidissement à l'air</b> | <b>Refroidissement à l'eau et À distance*</b> |
|--------------|---|---|
| Haut/Côtés   | 30,5 cm (12 po)                         | 20,3 cm (8 po)                                |
| Arrière      | 12,7 cm (5 po)                          | 12,7 cm (5 po)                                |

| <b>11200</b> | <b>Autonome refroidissement à l'air</b> | <b>Refroidissement à l'eau et À distance*</b> |
|--------------|---|---|
| Haut         | 20,3 cm (8 po)                          | 20,3 cm (8 po)                                |
| Côtés        | 30,5 cm (12 po)                         | 20,3 cm (8 po)                                |
| Arrière      | 12,7 cm (5 po)                          | 12,7 cm (5 po)                                |

| <b>11400/11800</b> | <b>Autonome refroidissement à l'air</b> | <b>Refroidissement à l'eau et À distance*</b> |
|--------------------|---|---|
| Haut/Côtés         | 61,0 cm (24 po)                         | 20,3 cm (8 po)                                |
| Arrière            | 30,5 cm (12 po)                         | 12,7 cm (5 po)                                |

\*Aucune condition d'espace n'est requise pour les machines à glaçons refroidies à l'eau ou à distance. Cette valeur est recommandée uniquement pour un fonctionnement et un entretien efficaces.

\*\* Il est recommandé d'avoir un espace de 61,0 cm (24 po) sur tous les côtés pour permettre un accès sans avoir à déplacer le bac/la machine à glaçons.



#### **Attention**

La machine à glaçons doit être protégée si elle est susceptible d'être soumise à des températures inférieures à 0 °C (32 °F). Toute défaillance due à une exposition à des températures inférieures à 0 °C n'est pas couverte par la garantie.

**Machine à glaçons Chaleur de rejet**

| Séries<br>Machine à<br>glaçons | Chaleur de rejet         |       |
|--------------------------------|--------------------------|-------|
|                                | Conditionnement<br>d'air | Crête |
| I0300                          | 4600                     | 5450  |
| I0320                          | 3300                     | 4500  |
| I0450                          | 5400                     | 6300  |
| I0500                          | 6100                     | 6900  |
| I0520                          | 5400                     | 6300  |
| I0600                          | 9000                     | 13900 |
| I0850/I0900                    | 13000                    | 16000 |
| I1000                          | 16250                    | 18600 |
| I1100                          | 16250                    | 18600 |
| I1200                          | 20700                    | 24500 |
| I1400                          | 23500                    | 27000 |
| I1800                          | 30000                    | 35000 |

B.T.U./Heure

Étant donné que le rejet de chaleur varie en fonction du cycle de fabrication de glaçons, le chiffre indiqué n'est qu'une moyenne.

\*Données préliminaires, Sujet à changement

Les machines à glaçons, tout comme tout autre équipement de réfrigération, rejettent la chaleur par le condenseur. Il est utile de connaître la quantité de chaleur rejetée par la machine à glaçons lors du dimensionnement du matériel de conditionnement d'air où sont installées les machines à glaçons autonomes refroidies à l'air.

Cette information est également nécessaire pour évaluer les avantages d'utiliser des condenseurs refroidis à l'eau ou à distance afin de réduire les charges de conditionnement d'air. La quantité de chaleur ajoutée à un environnement climatisé par une machine à glaçons utilisant un condenseur refroidi à l'eau ou à distance est négligeable.

Connaître la quantité de chaleur rejetée est également important lors du dimensionnement d'une tour de refroidissement pour un condenseur refroidi à l'eau. Utiliser le chiffre de crête pour dimensionner la tour de refroidissement.

**Retrait du bouchon de vidange et mise à niveau du bac de stockage de glaçons**

1. Retirer le bouchon fileté du raccord de vidange.
2. Visser les pattes de nivellement sur le dessous du bac.
3. Visser le pied de chaque patte aussi loin que possible.

**⚠ Attention**

Les pattes doivent être bien serrées pour les empêcher de se courber.

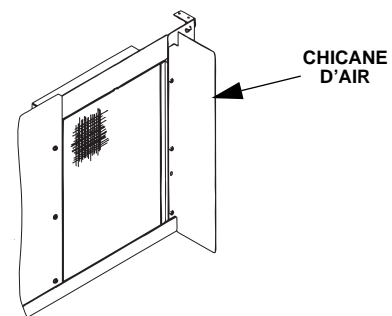
4. Déplacer le bac dans sa position définitive.
5. Nivelier le bac pour s'assurer que la porte du bac se ferme bien hermétiquement. Utiliser un niveau sur le dessus du bac. Tourner la base de chaque pied pour nivelier le bac, le cas échéant.
6. Inspecter le joint de bac avant l'installation de la machine à glaçons. (Les bacs Manitowoc sont livrés avec un joint en plastique à alvéoles fermés installé le long de la surface supérieure du bac.)
7. Retirer tous les panneaux de la machine à glaçons avant de la soulever et de l'installer sur le bac. Retirer les deux panneaux avant, le couvercle supérieur, les panneaux gauche et droit.

**Chicane d'air**

**Autonome refroidi à l'air uniquement**

La chicane refroidie à l'air empêche l'air du condenseur de recirculer. Installation :

1. Desserrer les vis du panneau arrière à proximité du condenseur.
2. Aligner les rainures de boutonnière de la chicane d'air avec les trous de vis et glisser la chicane vers le bas pour verrouiller en place.



## Alimentation électrique

### Avertissement

Tout le câblage doit être conforme aux codes locaux, régionaux et nationaux.

### TENSION

La variation de tension admissible maximale est de +/-10 % de la tension nominale au démarrage de la machine à glaçons (lorsque la charge électrique est la plus haute).

### Avertissement

La machine à glaçons doit être mise à la terre conformément aux codes de l'électricité nationaux et locaux.

Tous les travaux électriques, notamment l'acheminement et la mise à la terre des câbles, doivent être conformes aux codes de l'électricité locaux, régionaux et nationaux. Respecter les précautions suivantes :

- La machine à glaçons doit être mise à la terre.
- Un fusible/disjoncteur séparé doit être fourni pour chaque machine à glaçons.
- Un électricien qualifié doit déterminer la dimension de câble appropriée en fonction de l'emplacement, des matériaux utilisés et de la longueur de la conduite (un courant admissible minimum peut être utilisé pour sélectionner la dimension du câble).
- La variation de tension admissible maximale est de +/-10 % de la tension nominale au démarrage de la machine à glaçons (lorsque la charge électrique est la plus haute).
- Inspecter toutes les vis de terre vertes dans le boîtier de commande et vérifier qu'elles sont bien serrées avant de mettre en marche la machine à glaçons.

### Important

Observer la polarité correcte de la tension de la ligne d'arrivée. Une polarité incorrecte peut entraîner un fonctionnement erratique de la machine à glaçons.

### FUSIBLE/DISJONCTEUR

Un fusible/disjoncteur séparé doit être fourni pour chaque machine à glaçons. Les disjoncteurs doivent être de catégorie H.A.C.R. (ne s'applique pas au Canada).

### COURANT ADMISSIBLE DE CIRCUIT MINIMUM

Le courant admissible de circuit minimum permet de sélectionner la dimension de câble de l'alimentation électrique. (Le courant admissible de circuit minimum n'est pas la charge d'intensité de fonctionnement de la machine à glaçons.)

La dimension de câble (ou le calibre) dépendant également de l'emplacement, des matériaux utilisés, de la longueur de la conduite, etc., celle-ci doit être déterminée par un électricien qualifié.

### CONDITIONS ÉLECTRIQUES REQUISES

Consulter la plaque de modèle/série de la machine à glaçons pour connaître les spécifications de tension/d'intensité.

### DIFFÉRENTIEL

Une protection par différentiel (GFCI/GFI) est un système qui coupe le circuit électrique (l'ouvre) quand il détecte une perte inattendue de courant, probablement à la terre. Manitowoc Ice ne recommande pas l'emploi d'une protection de circuit GFCI/GFI avec notre équipement. Si le code requiert l'emploi d'un GFCI/GFI, il convient alors de respecter le code local. Le circuit doit être spécialisé, de dimensions correctes et il doit y avoir un disjoncteur de panneau GFCI/GFI. Nous ne recommandons l'emploi de prises GFCI/GFI étant donné qu'elles sont connues pour provoquer davantage de défaillances parasites intermittentes que les disjoncteurs de panneau.

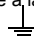
### SPÉCIFICATIONS MINIMALES DE CORDON D'ALIMENTATION

| Dimension de disjoncteur maximale | Dimension de câble minimale | Longueur maximale du cordon d'alimentation |
|-----------------------------------|-----------------------------|--|
| 15 A                              | Calibre 14                  | 1,83 m (6 pi)                              |
| 20 A                              | Calibre 12                  | 1,83 m (6 pi)                              |
| 30 A                              | Calibre 10                  | 1,83 m (6 pi)                              |
| 40 A                              | Calibre 8                   | 1,83 m (6 pi)                              |

Avec l'emploi d'un câble d'alimentation, la dimension du câble à la prise dépend de l'emplacement, des matériaux utilisés, de la longueur de la conduite, etc., celle-ci doit donc être déterminée par un électricien qualifié. Les conditions locales, régionales ou nationales remplaceront nos conditions minimales.

### ROYAUME-UNI UNIQUEMENT

Étant donné que les couleurs de câbles du réseau principal de l'appareil risquent de ne pas correspondre aux marquages en couleur identifiant les bornes de la prise, procéder comme suit :

- Le câble de couleurs vert et jaune doit être raccordé à la borne de prise marquée de la lettre E ou du symbole de terre vert  ou de couleur verte ou vert et jaune.
- Le câble de couleur bleue doit être raccordé à la borne marquée de la lettre N ou de couleur noire.
- Le câble de couleur marron doit être raccordé à la borne marquée de la lettre L ou de couleur rouge.

**Tableau des dimensions maximales de disjoncteur et d'intensité minimale du circuit**

**Important**

En raison des améliorations continues, cette information n'est donnée qu'à titre de référence. Consulter l'étiquette de numéro de série de la machine à glaçons pour vérifier les données électriques. L'information de l'étiquette de série annule l'information indiquée sur cette page.

**Important**

I3300 uniquement - Vérifier que le sens de la rotation est correcte sur le compresseur à volute 3ph. La machine à glaçons aura une pression d'aspiration haute, une pression de refoulement basse et sera particulièrement bruyante. Inverser deux fils d'alimentation entrante pour inverser la rotation.

| Machine à glaçons | Tension/Phase/Cycle | Refroidi à l'air            |                               | Refroidi à l'eau            |                               | À distance                  |                               |
|-------------------|---------------------|-----------------------------|-------------------------------|-----------------------------|-------------------------------|-----------------------------|-------------------------------|
|                   |                     | Fusible/Disjoncteur maximum | Intensité minimale du circuit | Fusible/Disjoncteur maximum | Intensité minimale du circuit | Fusible/Disjoncteur maximum | Intensité minimale du circuit |
| I0300             | 115/1/60            | 15                          | 10.8                          | 25                          | 10.0                          | S/O                         | S/O                           |
|                   | 230/1/50            | 15                          | 6.1                           | 15                          | 5.6                           | S/O                         | S/O                           |
|                   | 230/1/60            | 15                          | 6.1                           | 15                          | 5.7                           | S/O                         | S/O                           |
| I0306             | 115/1/60            | 15                          | 10.8*                         | 25                          | 10.0*                         | S/O                         | S/O                           |
|                   | 230/1/50            | 15                          | 6.1*                          | 15                          | 5.6*                          | S/O                         | S/O                           |
|                   | 230/1/60            | 15                          | 6.1*                          | 15                          | 5.7*                          | S/O                         | S/O                           |
| I0320             | 115/1/60            | 15                          | 11.5                          | 15                          | 10.7                          | S/O                         | S/O                           |
|                   | 208-230/1/60        | 15                          | 6.0                           | 15                          | 5.6                           | S/O                         | S/O                           |
|                   | 230/1/50            | 15                          | 6.0                           | 15                          | 5.6                           | S/O                         | S/O                           |
| I0450             | 115/1/60            | 20                          | 13.2                          | 20                          | 12.5                          | S/O                         | S/O                           |
|                   | 208-230/1/60        | 15                          | 6.6                           | 15                          | 6.2                           | S/O                         | S/O                           |
|                   | 230/1/50            | 15                          | 7.1                           | 15                          | 6.8                           | S/O                         | S/O                           |
| I0456             | 115/1/60            | 20                          | 13.2*                         | 20                          | 12.5*                         | S/O                         | S/O                           |
|                   | 208-230/1/60        | 15                          | 6.6*                          | 15                          | 6.2*                          | S/O                         | S/O                           |
|                   | 230/1/50            | 15                          | 7.1*                          | 15                          | 6.8*                          | S/O                         | S/O                           |
| I0500             | 115/1/60            | 20                          | 14.2                          | 20                          | 13.5                          | 25                          | 20.0                          |
|                   | 208-230/1/60        | 15                          | 6.1                           | 15                          | 5.7                           | S/O                         | S/O                           |
|                   | 230/1/50            | 15                          | 7.1                           | 15                          | 6.8                           | 15                          | 6.7                           |
| I0520             | 115/1/60            | 20                          | 14.4                          | 20                          | 13.5                          | S/O                         | S/O                           |
|                   | 208-230/1/60        | 15                          | 6.1                           | 15                          | 5.7                           | S/O                         | S/O                           |
|                   | 230/1/50            | 15                          | 7.1                           | 15                          | 6.8                           | S/O                         | S/O                           |
| I0600             | 208-230/1/60        | 15                          | 10.2                          | 15                          | 9.7                           | 15                          | 10.7                          |
|                   | 230/1/50            | 15                          | 6.7                           | 15                          | 6.1                           | 15                          | 7.1                           |
| I0606             | 208-230/1/60        | 15                          | 11.1                          | 15                          | 10.7                          | 15                          | 11.7                          |
|                   | 230/1/50            | 15                          | 6.7                           | 15                          | 6.1                           | 15                          | 7.1                           |
| I0850             | 208-230/1/60        | 20                          | 11.9                          | 20                          | 10.9                          | 20                          | 11.9                          |
|                   | 208-230/3/60        | 15                          | 9.2                           | 15                          | 8.2                           | 15                          | 9.2                           |
|                   | 230/1/50            | 20                          | 10.8                          | 20                          | 9.4                           | 15                          | 10.4                          |
| I0906             | 208-230/1/60        | 20                          | 12.2                          | 20                          | 11.2                          | 20                          | 12.2                          |
|                   | 208-230/3/60        | 15                          | 9.7                           | 15                          | 8.7                           | 15                          | 9.7                           |
|                   | 230/1/50            | 20                          | 12.2                          | 20                          | 11.2                          | 15                          | 12.2                          |
| I1000             | 208-230/1/60        | 20                          | 13.5                          | 15                          | 9.7                           | 15                          | 10.7                          |
|                   | 208-230/3/60        | 15                          | 9.5                           | 15                          | 8.5                           | 15                          | 9.5                           |
|                   | 230/1/50            | 20                          | 13.7                          | 20                          | 12.3                          | 20                          | 12.3                          |
|                   | 380-460/3/50-60     | S/O                         | S/O                           | 15                          | 4.5                           | S/O                         | S/O                           |
| I1100             | 208-230/1/60        | 20                          | 13.5*                         | 15                          | 9.7*                          | 15                          | 10.7*                         |
|                   | 208-230/3/60        | 15                          | 9.5*                          | 15                          | 8.5*                          | 15                          | 9.5*                          |
|                   | 230/1/50            | 20                          | 13.7*                         | 20                          | 12.3*                         | 20                          | 12.3*                         |



|              |                 |     |       |    |       |     |       |
|--------------|-----------------|-----|-------|----|-------|-----|-------|
| <b>I1200</b> | 208-230/1/60    | 25  | 25.0  | 25 | 25.0  | S/O | S/O   |
|              | 208-230/3/60    | 20  | 16.0  | 20 | 16.0  | S/O | S/O   |
|              | 230/1/50        | 20  | 13.7  | 20 | 12.3  | S/O | S/O   |
| <b>I1206</b> | 208-230/1/60    | 25  | 15.2  | 25 | 14.2  | S/O | S/O   |
|              | 208-230/3/60    | 15  | 11.0  | 15 | 11.0  | S/O | S/O   |
|              | 230/1/50        | 15  | 11.0* | 15 | 11.0* | S/O | S/O   |
| <b>I1400</b> | 208-230/1/60    | 30  | 18.3  | 30 | 16.9  | 30  | 17.9  |
|              | 208-230/3/60    | 20  | 13.2  | 20 | 11.8  | 20  | 12.8  |
|              | 230/1/50        | 30  | 15.9  | 30 | 15.9  | 30  | 16.9  |
|              | 380-460/3/50-60 | S/O | S/O   | 15 | 6.4   | S/O | S/O   |
| <b>I1406</b> | 208-230/1/60    | 30  | 18.3* | 30 | 16.9* | 30  | 17.9* |
|              | 208-230/3/60    | 20  | 13.2* | 20 | 11.8* | 20  | 12.8* |
|              | 230/1/50        | 30  | 15.9* | 30 | 15.9* | 30  | 16.9* |
|              | 380-460/3/50-60 | S/O | S/O   | 15 | 6.4   | S/O | S/O   |
| <b>I1800</b> | 208-230/1/60    | 40  | 23.8  | 40 | 22.4  | 40  | 23.4  |
|              | 208-230/3/60    | 25  | 15.4  | 25 | 14.0  | 25  | 15.0  |
|              | 230/1/50        | 30  | 18.3  | 30 | 16.9  | 40  | 21.5* |
|              | 380-460/3/50-60 | S/O | S/O   | 15 | 6.5   | S/O | S/O   |
| <b>I1806</b> | 208-230/1/60    | 40  | 23.8* | 40 | 22.4* | 40  | 23.4* |
|              | 208-230/3/60    | 25  | 15.4* | 25 | 14.0* | 25  | 15.0* |
|              | 230/1/50        | 30  | 18.3* | 30 | 16.9* | 40  | 21.5* |
|              | 380-460/3/50-60 | S/O | S/O   | 15 | 6.5   | S/O | S/O   |

\* Données préliminaires, Sujet à changement

## Conditions requises d'alimentation en eau et d'évacuations

### ALIMENTATION EN EAU

En fonction des conditions d'eau locales, il peut s'avérer nécessaire de traiter l'eau pour empêcher la formation de tartre, filtrer les sédiments et éliminer le goût et l'odeur du chlore.



#### Avertissement

Por fabriquer des glaçons, connecter a une alimentation en eau potable uniquement.

### LIGNES D'ARRIVÉE D'EAU

Suivre ces directives pour l'installation des lignes d'arrivée d'eau :

- Pour installer un système de filtration d'eau Manitowoc Arctic Pure, consulter les Instructions d'installation fournies avec le système de filtration pour les raccordements d'arrivée d'eau de fabrication des glaçons.
- Ne pas raccorder la machine à glaçons à une alimentation en eau chaude. S'assurer que tous les restricteurs d'eau chaude installés pour les autres appareils fonctionnent (clapets de non-retour sur robinets d'éviers, lave-vaisselle, etc.).
- Si la pression de l'eau dépasse la pression maximale recommandée de 552 kPa (80 psi), se procurer un régulateur de pression d'eau auprès d'un distributeur Manitowoc.
- Installer un robinet d'arrêt de l'eau pour les lignes d'eau de fabrication de glaçons et d'eau du condenseur.
- Isoler les lignes d'arrivée d'eau pour éviter les problèmes de condensation.



#### Attention

Ne pas appliquer de chaleur au raccord d'arrivée du robinet d'eau et ce, pour ne pas endommager la connexion d'arrivée d'eau en plastique.

### RACCORDEMENTS D'ÉVACUATION

Suivre ces directives lors de l'installation des conduites d'évacuation pour empêcher l'eau de retourner s'écouler dans la machine à glaçons et dans le bac de stockage :

- Les lignes d'évacuation doivent avoir une inclinaison de 2,5 cm par mètre (1,5 pouce par 5 pieds) et ne doivent pas créer de siphons.
- Le siphon de sol doit être suffisamment grand pour recevoir l'eau provenant de toutes les évacuations.
- Faire fonctionner séparément les lignes d'évacuation du bac et de la machine à glaçons. Les isoler pour prévenir la condensation.

- Ventiler le bac et la ligne d'évacuation de la machine à glaçons dans l'atmosphère. Ne pas ventiler l'évacuation du condenseur sur les modèles refroidis à l'eau.

### PRESSION D'EAU DU CONDENSEUR REFROIDI PAR EAU

La pression d'eau au niveau du condenseur ne peut excéder 1034 kPa (150 psig) avec le robinet automatique de débit d'eau standard. Contacter un distributeur si la pression d'eau est supérieure à 1034 kPa (150 psig). Une unité de condensation sur commande spéciale est disponible pour une pression d'eau allant jusqu'à 2413 kPa (350 psig).

### APPLICATIONS AVEC TOUR DE REFROIDISSEMENT (MODÈLES REFROIDIS PAR EAU)

Une installation avec tour de refroidissement à eau ne requiert pas de modification de la machine à glaçons. Le régulateur d'eau du condenseur continue de contrôler la pression de refoulement de réfrigération.

Il est nécessaire de connaître la quantité de chaleur rejetée ainsi que la chute de pression dans le condenseur et les robinets d'eau (entrée et sortie) lors de l'utilisation d'une tour de refroidissement sur une machine à glaçons.

- La température de l'eau arrivant dans le condenseur ne doit pas dépasser 32 °C (90 °F).
- La quantité d'eau traversant le condenseur ne doit pas dépasser 19 litres (5 gallons) par minute.
- Prévoir une chute de pression de 50 kPa (7 psi) entre l'arrivée d'eau du condenseur et la sortie de la machine à glaçons.
- La température de l'eau sortant dans le condenseur ne doit pas dépasser 43 °C (110 °F).

#### Important

L'État du Massachusetts exige que tous les modèles refroidis à l'eau soient raccordés uniquement à un système de tour de refroidissement à boucle fermée.

## Dimensionnement/Raccordement des conduites d'alimentation en eau et d'évacuation

**⚠ Attention**

La tuyauterie doit être conforme aux codes locaux et régionaux.

| Emplacement                                     | Température de l'eau                    | Pression d'eau  | Raccordement de la machine à glaçons   | Dimension de tubulure jusqu'à raccordement de machine à glaçons |
|---|---|---|--|---|
| Arrivée d'eau pour la fabrication de glaçons    | 2 °C (35 °F) Mini<br>32 °C (90 °F) Maxi | 140 kPa (20 psi) Mini<br>552 kPa (80 psi) Maxi  | Filetage femelle de tuyau de 0,95 cm (3/8 po)<br>1,27 cm (1/2 po) FPT I3300 uniquement                                     | 0,95 cm (3/8 po) diamètre intérieur minimum                     |
| Évacuation d'eau pour la fabrication de glaçons | ---                                     | ---   | Filetage femelle de tuyau de 1,27 cm (1/2 po)  | 1,27 cm (1/2 po) diamètre intérieur minimum                     |
| Arrivée d'eau de condenseur                     | 32,2 °C (90 °F) Maxi                    | <b>Standard</b><br>140 kPa (20 psi) Mini<br>1034 kPa (150 psi) Maxi<br><b>Option haute pression</b><br>140 kPa (20 psi) Mini<br>2410 kPa (350 psi) Maxi | i0300 - i1200 Filetage femelle de tuyau de 0,95 cm (3/8 po)<br>i1400 - i1800 Filetage femelle de tuyau de 1,27 cm (1/2 po) |   |
| Évacuation d'eau du condenseur                  | ---                                     | ---   | Filetage femelle de tuyau de 1,27 cm (1/2 po)  | 1,27 cm (1/2 po) diamètre intérieur minimum                     |
| Évacuation de bac                               | ---                                     | ---   | Filetage femelle de tuyau de 1,91 cm (3/4 po)  | 1,91 cm (3/4 po) diamètre intérieur minimum                     |
| Évacuation de bac grande capacité               | ---                                     | ---   | Filetage mâle de tuyau de 2,54 cm (1 po)   | 2,54 cm (1 po) diamètre intérieur minimum                       |

**Installation de condenseur à distance/de conduites**

| Machine à glaçons                | Condenseur à circuit unique à distance | Conduites*                                |
|----------------------------------|--|---|
| I0590                            | JC0495                                 | RT-20-R404A<br>RT-35-R404A<br>RT-50-R404A |
| I0690/I0890<br>I0990/I1090/I1190 | JC0895                                 | RT-20-R404A<br>RT-35-R404A<br>RT-50-R404A |
| I1490/1890                       | JC1395                                 | RL-20-R404A<br>RL-35-R404A<br>RL-50-R404A |

| *Conduites | Conduite de refoulement | Conduite de liquide |
|------------|-------------------------|---------------------|
| RT         | 1,27 cm (1/2 po)        | 0,79 cm (5/16 po)   |
| RL         | 1,27 cm (1/2 po)        | 0,95 cm (3/8 po)    |

| Température d'air autour du condenseur |                |
|--|----------------|
| Minimum                                | Maximum        |
| -29°C (-20 °F)                         | 49 °C (120 °F) |

**Important**

Les systèmes à distance Manitowoc ne sont approuvés et garantis qu'en tant qu'ensemble neuf complet. La garantie du système de réfrigération sera nulle si une nouvelle partie principale de machine à glaçons est raccordée à une tubulure préexistante (usagée) ou à des condenseurs à distance.

**MACHINES À GLAÇONS À DISTANCE  
CHARGE DE LIQUIDE FRIGORIGÈNE**

Chaque machine à glaçons à distance est expédiée de l'usine avec une charge en liquide frigorigène adéquate pour une installation avec des conduites allant jusqu'à 15 m (50 pi). L'étiquette de série figurant sur la machine à glaçons indique la charge en liquide frigorigène.

Un liquide frigorigène additionnel peut être requis pour des installations utilisant des conduites entre 15 et 30 m (50 et 100 pi) de long. Si du liquide frigorigène additionnel est requis, consulter le tableau ci-dessous pour connaître la quantité correcte à ajouter.

**Important**

**TECHNICIENS CERTIFIÉS EPA**

Si la longueur de conduites à distance se trouve entre 15 et 30 m (50 et 100 pi), ajouter du liquide frigorigène additionnel à la charge de plaque signalétique. Consulter le tableau ci-dessous pour le modèle sur lequel on travaille.

Longueur de tubulure : \_\_\_\_\_

Liquide frigorigène ajouté à plaque signalétique : \_\_\_\_\_

Charge de liquide frigorigène neuf total : \_\_\_\_\_



**Avertissement**

**Situation comportant un risque de blessure corporelle**

La machine à glaçons contient une charge de liquide frigorigène. L'installation des conduites doit être effectuée par un technicien qualifié et certifié dans le secteur de la réfrigération par l'EPA, et qui soit informé des **dangers que comportent les équipements chargés de liquide frigorigène.**



**Attention**

Ne jamais ajouter plus que la charge de plaque signalétique dans le système de réfrigération pour toute application quelle qu'elle soit.

| Machine à glaçons | Charge de plaque signalétique<br>(Charge expédiée dans la machine à glaçons) | Liquide frigorigène à ajouter pour des conduites de 15 à 30 m (50 à 100 pi) | Charge maximale du système<br>(Ne jamais dépasser) |
|-------------------|--|---|--|
| I0590             | 6 lb. (96 oz.)   | 1,5 lb. (24 oz.)  | 7,5 lb. (120 oz.)                                  |
| I0690             | 6,5 lb. (104 oz.)  | 1,5 lb. (24 oz.)  | 8 lb. (128 oz.)                                    |
| I0890             | 8,5 lb. (136 oz.)  | 2 lb. (32 oz.)  | 10,5 lb. (168 oz.)                                 |
| I0990             | 7 lb. (112 oz.)  | 2 lb. (32 oz.)  | 9 lb. (144 oz.)                                    |
| I1090/I1190       | 8,5 lb. (136 oz.)  | 2 lb. (32 oz.)  | 10,5 lb. (168 oz.)                                 |
| I1490             | 11 lb. (176 oz.)   | 2 lb. (32 oz.)  | 13 lb. (208 oz.)                                   |
| I1890             | 12,5 lb. (200 oz.)   | 1 lb. (16 oz.)  | 13,5 lb. (216 oz.)                                 |

## GÉNÉRALITÉS

Les condenseurs doivent être montés horizontalement, le moteur de ventilateur étant sur le haut sans aucune obstruction. Il doit y avoir un espace d'au moins 41 cm (16 po) du bas pour l'admission d'air. Le panneau de raccordement avant et un autre panneau (arrière ou côté) ne doit également avoir aucune obstruction.

Les installations de condenseurs à distance comportent des conduites verticales et horizontales entre la machine à glaçons et le condenseur. Une fois combinées, elles doivent être ajustées aux spécifications approuvées. Les directives, schémas et méthodes de calcul suivants doivent être respectés pour vérifier une installation de condenseurs à distance appropriée.

### ⚠ Attention

La garantie de 60 mois du compresseur (y compris la garantie de remplacement de main d'œuvre de 36 mois) ne s'appliquera pas si la machine à glaçons à distance n'est pas installée conformément aux spécifications.

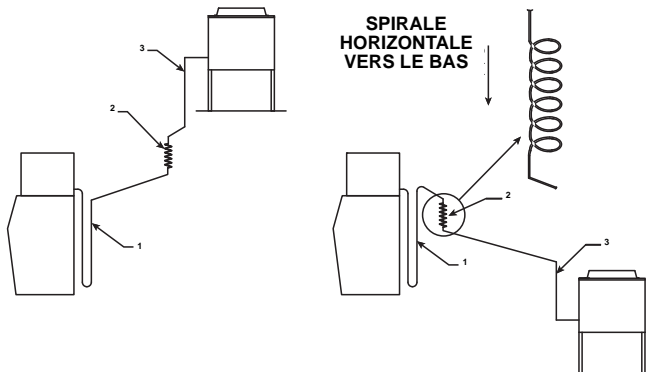
La présente garantie ne s'applique pas non plus si le système de réfrigération est modifié par un condenseur, un récupérateur de chaleur ou d'autres pièces ou ensembles non fabriqués par Manitowoc Ice sauf en cas d'approbation spécifique écrite par Manitowoc Ice.

## DIRECTIVES POUR ACHEMINEMENT DES CONDUITES

Commencer par couper un trou circulaire de 6,35 cm (2,5 po) dans le mur ou le toit pour l'acheminement des tubulures. L'extrémité de conduite ayant un coude de 90° se raccordera à la machine à glaçons. L'extrémité droite se connectera au condenseur à distance.

Suivre ces directives pour acheminer les conduites de liquide frigorigène. Ceci pour permettre d'assurer un bon fonctionnement et une bonne accessibilité de service.

1. En option – Effectuer la boucle de service dans les conduites (comme il l'est indiqué ci-dessous). Ceci permet un accès aisé à la machine à glaçons pour le nettoyage et l'entretien. Ne pas utiliser de cuivre rigide dur à cet emplacement.
2. Obligatoire – Ne pas former de siphons dans les conduites de réfrigération (sauf la boucle de service). L'huile réfrigérante doit être libre de s'évacuer vers la machine à glaçons ou le condenseur. Acheminer la tubulure en excès en une spirale horizontale vers le bas supportée (comme il l'est indiqué ci-dessous). Ne pas enrouler la tubulure verticalement.
3. Obligatoire – Conserver les longueurs de conduites de réfrigérant extérieures aussi courtes que possible.



Acheminement des conduites

**CALCULER LES DISTANCES D'INSTALLATION DE CONDENSEUR À DISTANCE**

**Longueur des conduites**

La longueur maximale est de 30 m (100 pi).

Le compresseur de machine à glaçons doit avoir un retour d'huile adéquat. Le récepteur est conçu pour contenir une charge suffisante pour faire fonctionner la machine à glaçons dans des températures ambiantes situées entre -29 °C (-20 °F) et 49 °C (120 °F), avec des longueurs de conduites allant jusqu'à 30 m (100 pi).

**Distance vers le haut/le bas des conduites**

La distance maximale vers le haut est de 10,7 m (35 pi).

La longueur maximale vers le bas est de 4,5 m (15 pi).

**⚠ Attention**

Si une conduite a une élévation suivie par une descente, une autre élévation ne peut être effectuée. De même, si une conduite a une descente suivie par une élévation, une autre descente ne peut être effectuée.

Effectuer les calculs suivants pour s'assurer que l'aménagement des conduites respecte les spécifications.

1. Insérer l'**élévation mesurée** dans la formule ci-dessous. Multiplier par 1,7 pour obtenir l'**élévation calculée**. (Exemple : Un condenseur situé à 3,0 m [10 pi] au-dessus de la machine à glaçons a une **élévation calculée** de 5,2 m [17 pi]).
2. Insérer la **descente mesurée** dans la formule ci-dessous. Multiplier par 6,6 pour obtenir la **descente calculée**. (Exemple : Un condenseur situé à 3,0 m [10 pi] au-dessus de la machine à glaçons a une **élévation calculée** de 66 pi.)
3. Insérer la **distance horizontale mesurée** dans la formule ci-dessous. Pas de calcul nécessaire.
4. Ajouter l'**élévation calculée**, la **descente calculée** et la **distance horizontale** ensemble pour obtenir la **distance calculée totale**. Si ce total excède 45 m (150 pi), déplacer le condenseur dans un autre emplacement et refaire les calculs.

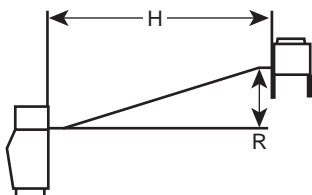
**Distance calculée de conduites**

La distance calculée maximale est de 45 m (150 pi).

Les élévations, descentes, parcours horizontaux de conduites (ou combinaisons de ceux-ci) dépassant les maximums indiqués excèderont les tolérances de mise en marche et de fabrication du compresseur et ce, pour éviter un retour d'huile médiocre vers le compresseur.

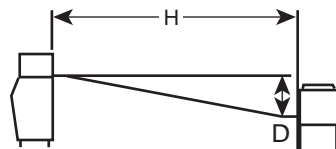
**Formule de calcul de la distance de conduites maximale**

|          |  |             |   |       |                          |
|----------|--|-------------|---|-------|--------------------------|
| Étape 1. | Élévation mesurée (10,7 m [35 pi] maximum)           | _____ x 1,7 | = | _____ | Élévation calculée       |
| Étape 2. | Descente mesurée (4,5 m [15 pi] maximum)             | _____ x 6,6 | = | _____ | Descente calculée        |
| Étape 3. | Distance horizontale mesurée (30 m [100 pi] maximum) |             |   | _____ | Distance horizontale     |
| Étape 4. | Distance calculée totale 45 m (150 pi)               |             |   | _____ | Distance calculée totale |



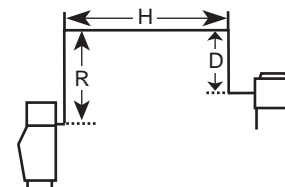
SV1196

**Combinaison d'un parcours à élévation et conduite horizontale**



SV1195

**Combinaison d'un parcours à descente et conduite horizontale**



SV1194

**Combinaison d'un parcours à élévation, à descente et conduite horizontale**

### ALLONGEMENT OU DIMINUTION DES LONGUEURS DE CONDUITES

Dans la plupart des cas, en acheminant les conduites correctement, il n'est pas nécessaire de les raccourcir. Lorsqu'il faut raccourci ou allonger, le faire avant de raccorder les conduites à la machine à glaçons ou au condenseur à distance et ce, pour éviter la perte de liquide frigorigène dans la machine à glaçons ou le condenseur.

Les raccords à branchement rapide sur les conduites sont munis de vannes Schraeder. Utiliser ces vannes pour récupérer toute charge de vapeur des conduites. Pour allonger ou raccourcir les conduites, suivre les bonnes pratiques de réfrigération, purger à l'azote et isoler toutes les tubulures. Ne pas modifier les dimensions des tubes. Évacuer les conduites et placer une charge de liquide frigorigène de vapeur de 143 g (5 oz) environ dans chaque conduite.

### CONNEXION DE CONDUITES

1. Retirer les capuchons pare-poussière des conduites, du condenseur et de la machine à glaçons.
2. Appliquer de l'huile réfrigérante sur les filets des raccords à dégagement rapide avant de les connecter au condenseur.
3. Fileter soigneusement le raccord femelle au condenseur ou à la machine à glaçons à la main.
4. Serrer les raccords à l'aide d'une clé jusqu'au bout.
5. Faire tourner d'un quart de tour additionnel pour assurer une installation adéquate laiton-à-laiton. Serrer aux spécifications suivantes :

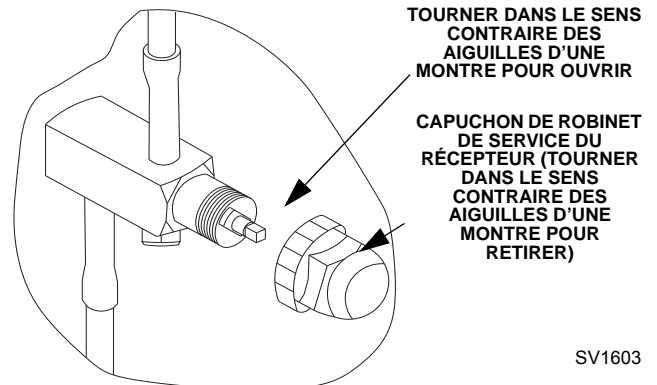
| Conduite de liquide            | Conduite de refoulement        |
|--------------------------------|--------------------------------|
| 13,5-16,2 N•m<br>(10-12 ft lb) | 47,5-61,0 N•m<br>(35-45 ft lb) |

6. Vérifier tous les raccords et bouchons de valves pour fuites éventuelles.
7. S'assurer que les intérieurs de valves Schraeder sont installés et que les capuchons de valves Schraeder sont mis et serrés.

### ROBINET DE SERVICE DU RÉCEPTEUR À DISTANCE

Le robinet de service du récepteur est fermé pendant l'expédition. Ouvrir le robinet avant de mettre la machine à glaçons en marche.

1. Retirer les panneaux supérieur et gauche.
2. Retirer le capuchon de valve de service du récepteur.
3. Mettre le robinet sur siège arrière (ouvrir).
4. Remonter le capuchon et les panneaux.



SV1603

**Mettre le robinet de service du récepteur sur siège arrière**

## Emploi de machine à glaçons à distance avec condenseurs à circuits multiples de marque autre que Manitowoc

### GARANTIE

La garantie de soixante (60) mois du compresseur, y compris une garantie de remplacement de main d'œuvre de trente-six (36) mois, **ne s'appliquera pas** lorsque la machine à glaçons à distance n'est pas installée selon les spécifications à distance. La garantie précédente ne s'appliquera à aucune machine à glaçons installée et/ou maintenue de manière inconsistante avec les instructions techniques fournies par Manitowoc Ice, Inc. La performance peut varier des spécifications des Ventes. La valeurs nominales standard certifiées ARI ne s'appliquent que lorsqu'elles sont utilisées avec un condenseur à distance Manitowoc.

Si la conception du condenseur respecte les spécifications, l'approbation de Manitowoc est uniquement que la couverture de la pleine garantie soit étendue à la partie du système fabriqué par Manitowoc. Étant donné que Manitowoc ne teste pas le condenseur en conjonction avec la machine à glaçons, Manitowoc n'endossera, ne recommandera ni s'approuvera le condenseur, et ne sera en aucun cas responsable de sa performance ou de sa fiabilité.

#### Important

Manitowoc garantit uniquement les ensembles complets à distance neufs et non usagés. Garantir l'intégrité d'une machine à glaçons neuve en vertu des termes de notre garantie interdit l'emploi de tubulure ou de condenseurs préexistants (usagés).

### VANNE DE CONTRÔLE DE PRESSION DE REFOULEMENT

Tout condenseur à distance connecté à une machine glaçons Manitowoc doit être muni d'une vanne de contrôle de pression de refoulement (disponible auprès des distributeurs Manitowoc) sur l'ensemble de condenseur. Manitowoc **n'acceptera pas** de vanne de contrôle de pression de refoulement de remplacement « de série ».

#### Attention

Ne pas utiliser de commande de cycle de ventilateur pour essayer de maintenir la pression de décharge. Une défaillance du compresseur en résultera.

### MOTEUR DE VENTILATEUR

Le ventilateur du condenseur doit être **sous tension** durant le cycle complet de congélation de la machine à glaçons (ne pas cycliser sur la commande de cycle de ventilateur). La machine à glaçons a un circuit de moteur de ventilateur à utiliser avec un condenseur Manitowoc. Il est recommandé d'utiliser ce circuit pour contrôler le ou les ventilateurs de condenseur sur le condenseur à circuits multiples pour s'assurer qu'il est sous tension au bon moment. **Ne pas excéder l'intensité nominale pour le circuit du moteur de ventilateur indiquée sur l'étiquette de série de la machine à glaçons.**

### VOLUME INTERNE DE CONDENSEUR

Le volume interne de condenseur à circuits multiples ne doit pas être inférieur ni supérieur à celui utilisé par Manitowoc (voir le tableau à la page suivante). **Ne pas excéder le volume interne ni essayer d'ajouter une charge pour compenser et ce, pour ne pas endommager le compresseur.**

### CONDENSEUR $\Delta T$

$\Delta T$  est la différence de température entre le liquide frigorigène de condensation et l'air entrant. La  $\Delta T$  doit se trouver entre -9,4 et -6,6 °C (15 et 20 °F) au début du cycle de congélation (conditions de charge maximale) et tomber entre -11,1 et -8,3 °C (12 et 17 °F) durant les 75 derniers % du cycle de congélation (conditions de charge moyenne).

### CHARGE DE LIQUIDE FRIGORIGÈNE

Les machines à glaçons à distance ont la charge de liquide frigorigène de plaque de série (charge totale de système) située dans la section de fabrication de glaçons. (Les condenseurs et les distances à distance sont fournies avec uniquement une charge de vapeur.)

#### Attention

Ne jamais ajouter plus que la charge de plaque signalétique dans la machine à glaçons pour toute application quelle qu'elle soit.

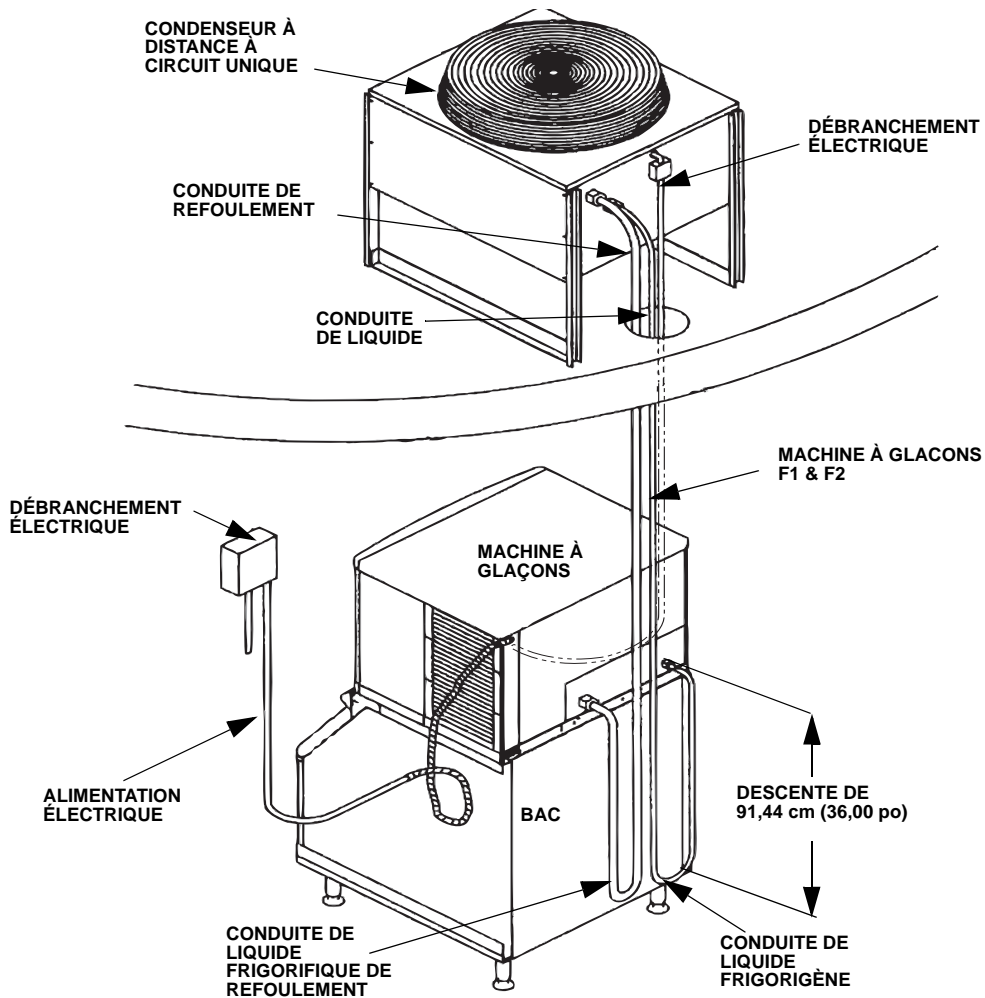
### RACCORDS À BRANCHEMENT RAPIDE

La machine à glaçons et les conduites sont munies de raccords à branchement rapide. Il est recommandé d'installer des branchements rapides appareillés (disponibles auprès de distributeurs Manitowoc) dans le condenseur à circuits multiples, et d'ajouter une charge de « maintien » de vapeur, 150 ml (5 oz) de liquide frigorigène approprié au condenseur avant la connexion de la machine à glaçons ou des conduites au condenseur.



TABLEAU DE DIMENSIONNEMENT DE CONDENSEUR À CIRCUITS MULTIPLES AUTRE QUE MANITOWOC

| Modèle de machine à glaçons | Liquide frigorigène |         | Rejet de chaleur |                | Volume interne de condenseur (pi <sup>3</sup> ) |       | Pression nominale   | Goujons à branchement rapide-Extrémités mâles |                                  | Vanne de contrôle de pression de reflux |
|-----------------------------|---------------------|---------|------------------|----------------|---|-------|---|---|----------------------------------|---|
|                             | Type                | Charge  | Moyenne de Btu/h | Crête de Btu/h | Mini  | Maxi  |   | Reflux  | Liquide                          |   |
| I0500                       | R-404A              | 6 lb    | 6 100            | 6 900          | 0,020   | 0,035 | 500 psig (3 447 kpa) (34,47 bars) pression limite           | raccord Réf. 83-6035-3                        | raccord Réf. 83-6034-3           | Manitowoc Réf. 83-6809-3                |
| I0690                       | R404A               | 6,5 lb  | 9 000            | 13 900         | 0,045   | 0,060 |   |   |                                  |   |
| I0890                       | R-404A              | 8,5 lb  | 13 000           | 16 000         | 0,045   | 0,060 | 2 500 psig (17 237 kpa) (172,37 bars) pression d'éclatement | bride de fixation Réf. 83-6006-3              | bride de fixation Réf. 83-6005-3 | pas de remplacement                     |
| I0990                       | R-404A              | 7 lbs.  | 13 000           | 16 000         | 0,045   | 0,060 |   |   |                                  |   |
| I1090<br>I1190              | R-404A              | 8,5 lb  | 16 250           | 18 600         | 0,045   | 0,060 |   |   |                                  |   |
| I1490                       | R-404A              | 11 lb   | 23 500           | 27 000         | 0,085   | 0,105 |   |   |                                  |   |
| I1690                       | R-404A              | 11,5 lb | 21 000           | 31 000         | 0,085   | 0,105 |   |   |                                  |   |
| I1890                       | R-404A              | 12,5 lb | 30 000           | 35 000         | 0,085   | 0,105 |   |   |                                  |   |



Installation de condenseur à distance à circuit unique type

**Liste de vérification d'installation**

- La machine à glaçons est-elle à niveau ?
- Tous les raccordements électriques et d'eau ont-ils été effectués ?
- La tension d'alimentation a-t-elle été testée et vérifiée par rapport à la valeur nominale indiquée sur la plaque signalétique ?
- Y a-t-il un espace approprié autour de la machine à glaçons pour la circulation d'air ?
- La machine à glaçons est-elle mise à la terre et la polarité est-elle correcte ?
- La machine à glaçons a-t-elle été installée là où des températures ambiantes resteront dans la fourchette de 1,6 à 43,3 °C (35 à 110 °F) ?
- La machine à glaçons a-t-elle été installée là où la température d'eau entrante restera dans la fourchette de 1,6 à 32,2 °C (35 à 90 °F) ?
- Y a-t-il une évacuation séparé pour l'eau potable, le bac et le condenseur refroidi par eau ?
- Les évacuations de machine à glaçons et de bac sont-elles aérées ?
- Tous les fils électriques sont-ils exempts de contact des lignes de réfrigération et de l'équipement mobile ?
- Le propriétaire/l'opérateur a-t-il été informé de l'entretien et de l'utilisation du nettoyant et du désinfectant Manitowoc ?
- Le propriétaire/l'opérateur a-t-il rempli la carte de garantie ?
- La machine à glaçons et le bac ont-ils été désinfectés ?
- La commande d'épaisseur de glaçons est-elle réglée correctement ? (Consulter les Contrôles opérationnels pour vérifier/établir l'épaisseur de pont de glace correcte.)

**Contrôles additionnels pour modèles à distance**

- Le robinet de service du récepteur a-t-il été ouvert ?
- Le ventilateur du condenseur à distance fonctionne-t-il correctement après la mise en marche ?
- Has the remote condenser been located where ambient temperatures will remain in the range of -29 à 49 °C (-20 à 120 °F).
- Les conduites sont-elles acheminées correctement ?
- Les deux lignes de réfrigération vers le condenseur à distance sont-elles installées de manière à ce qu'elles ne reposent pas dans l'eau et qu'elles soient installées correctement ?

**Avant la mise en marche de la machine à glaçons**

Toutes les machines à glaçons Manitowoc sont mises en route et ajustées en usine avant l'expédition. Normalement, les nouvelles installations ne requièrent aucun ajustement.

Pour garantir un bon fonctionnement, suivre les Contrôles opérationnels figurant à la Section 3 du présent manuel. La mise en marche de la machine à glaçons et exécuter les contrôles opérationnels sont la responsabilité du propriétaire/de l'opérateur.

Les réglages et les procédures de maintenance indiqués dans ce manuel ne sont pas couverts par la garantie.

Suivre les procédures à la page suivante et dans la section 3 afin de vous assurer que les réglages du tableau de commande soient exacts pour l'emplacement et l'application de vos clients.

**Avertissement****Situation comportant un risque de blessure corporelle**

Ne pas utiliser un équipement qui aura été mal utilisé, abusé, négligé, endommagé ou dont les spécifications originales de fabrication auront été altérées/modifiées.

## Régler la date et l'heure

Lorsque la machine à glaçons est installée, la date et l'heure exactes doivent être réglées pour son emplacement.

1. S'assurer que la machine à glaçons soit bien branchée.
2. Appuyer sur le bouton Menu.
3. Appuyer sur le bouton Bas jusqu'à ce que Config. soit en évidence [entre parenthèses].
4. Appuyer sur la Coche. Le menu Config. sera affiché et Hr. et date sera en évidence [entre parenthèses].
5. Appuyer sur la Coche. La date apparaîtra sur la première ligne de l'écran (M/J/A) et l'heure apparaîtra sur la deuxième ligne (24 hrs). Le mois sera souligné.

|   |   |   |   |   |   |  |  |   |  |
|---|---|---|---|---|---|--|--|---|--|
| 0 | 7 | 2 | 4 | 1 | 0 |  |  |   |  |
| 1 | 4 | : | 0 | 8 |   |  |  |   |  |
| S | o | r | t | i | e |  |  | > |  |
|   |   |   |   |   |   |  |  |   |  |

6. En utilisant les boutons Haut ou Bas, ajuster le mois, si nécessaire.
7. Lorsque le bon mois apparaît, utiliser le bouton Droite pour déplacer le soulignement au jour.
8. En utilisant les boutons Haut ou Bas, ajuster le jour, si nécessaire.
9. Lorsque le bon jour apparaît, utiliser le bouton Droite pour déplacer le soulignement à année.
10. En utilisant les boutons Haut ou Bas, ajuster l'année, si nécessaire.
11. Lorsque la bonne année apparaît, appuyer sur la Coche. Le souligné descendra à heure.
12. En utilisant les boutons Haut ou Bas, ajuster l'heure, si nécessaire.
13. Lorsque la bonne heure apparaît, utiliser le bouton Droite pour déplacer le soulignement à minutes.
14. En utilisant les boutons Haut ou Bas, ajuster les minutes, si nécessaire.
15. Lorsque la bonne minute apparaît, appuyer deux fois sur la Coche.

## Défauts usine

Tous les autres paramètres ont été réglés par défaut à l'usine.

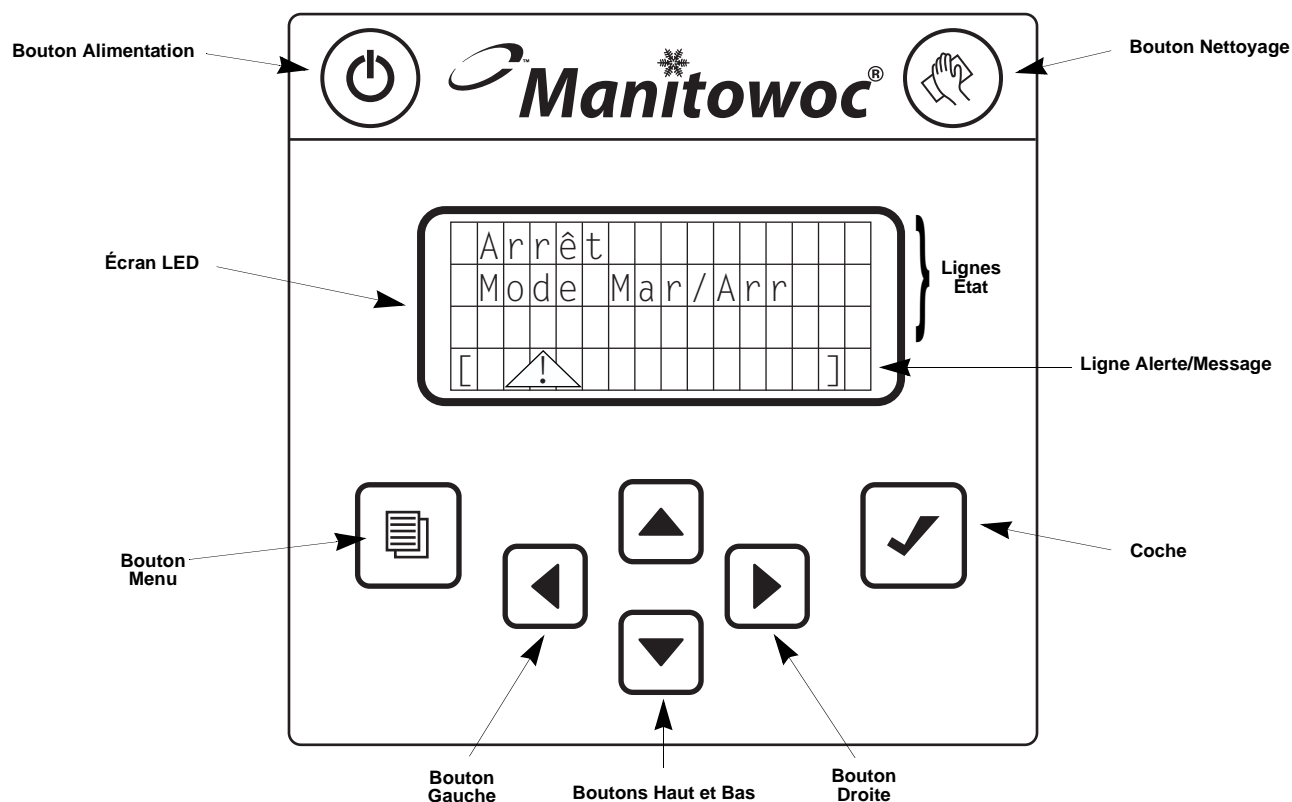
| Réglage                  | Par défaut            |
|--------------------------|-----------------------|
| Configuration de l'heure | M/J/A / 24 hrs        |
| Unités                   | Fahrenheit/Lb/Gallons |
| Clarté de la glace       | Arrêt                 |
| Brillance LED            | Niveau 2              |
| LED Marche/Arrêt         | Marche                |
| Rappel nettoyage         | Arrêt                 |
| Durée SyNA               | Arrêt                 |
| Filtre air               | Arrêt                 |
| Filtre eau               | Auto                  |
| LuminIce™                | Auto                  |
| LuminIce™                | 100%                  |
| Langue                   | Anglais               |

Pour plus de détails et d'instructions au sujet du changement des réglages de la machine à glaçons, voir « Menu Config. » dans la section *Fonctionnement*.

CETTE PAGE EST INTENTIONNELLEMENT LAISSÉE EN BLANC

## Section 3

# Fonctionnement



### Caractéristiques Panneau de commande

Le panneau de commande Yeti offre une série de boutons sensibles à la pression et un panneau d'affichage interactif à quatre lignes.

#### BOUTONS

**Bouton Alimentation** : Alimente la machine à glaçons lorsqu'en Mode Mar/Arr. La machine à glaçons peut aussi être programmée pour s'allumer et s'éteindre en deux modes d'Économie d'énergie.

**Bouton Nettoyage** : Initie un cycle de nettoyage. Consulter la section *Entretien* pour des détails.

**Bouton Menu** : Vous permet de passer de l'écran Accueil, où vous pouvez voir l'état de la machine à glaçons, les alertes et les messages, au Menu principal, où vous pouvez accéder à l'information au sujet de la machine et à son journal des événements, ajuster les réglages de la machine et de l'Économie d'énergie et vous occuper des problèmes de service.

**Boutons Gauche et Droite** : Le bouton Gauche revient à l'écran précédent, permettant à l'utilisateur de sortir de la programmation. Les deux boutons, Gauche et Droite, déplaceront le curseur (souligné) à l'intérieur d'une ligne de réglages. REMARQUE : Le bouton Droite peut aussi être utilisé sur plusieurs écrans de façon interchangeable avec la Coche pour faire une sélection.

**Boutons Haut et Bas** : Déplacer ce qui est en évidence [entre parenthèses] d'une ligne vers le haut ou vers le bas.

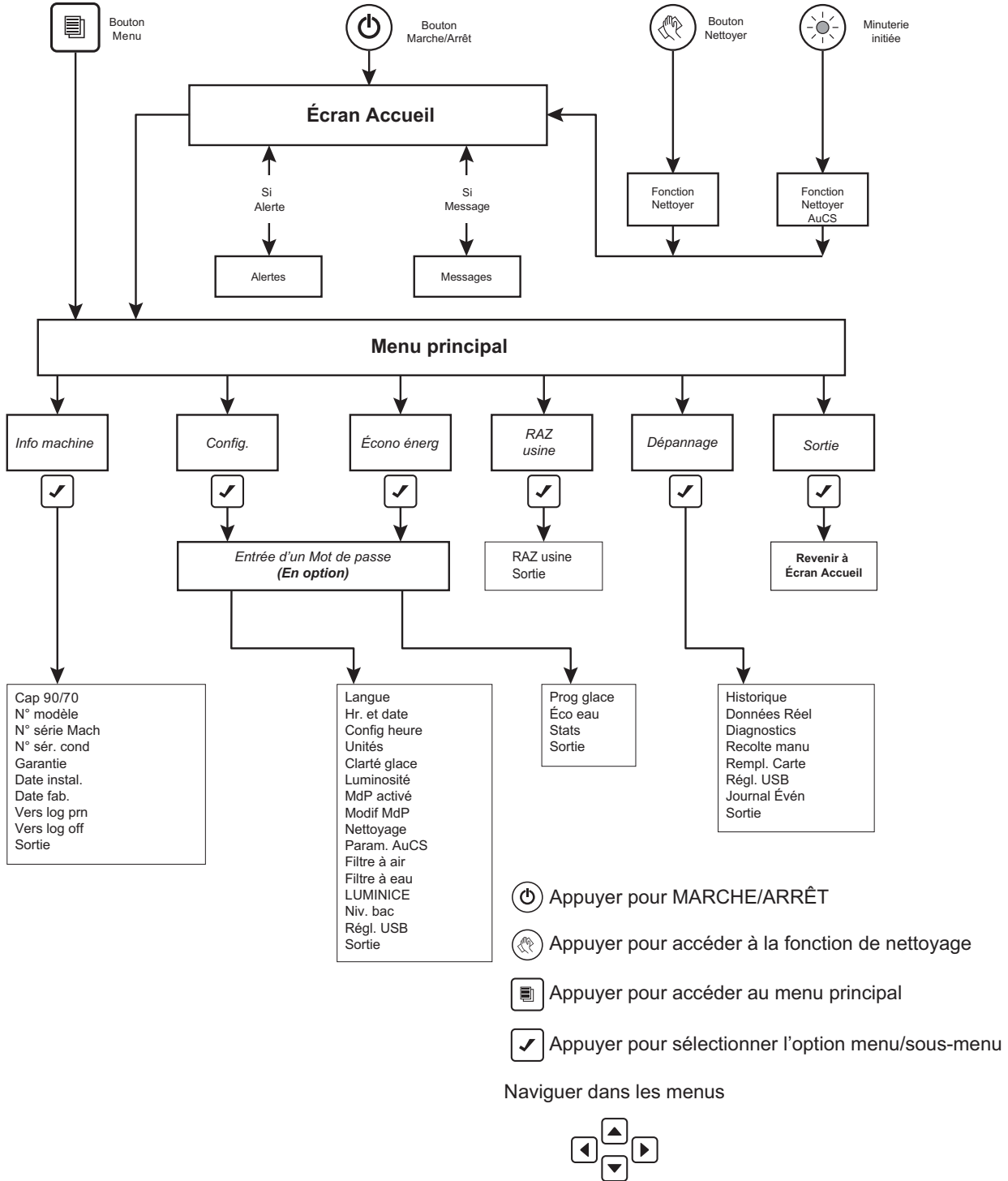
**Coche** : Sélectionne et/ou se déplace vers l'écran suivant (ou ligne).

#### PANNEAU D'AFFICHAGE

Le panneau d'affichage LED quatre lignes de 16 caractères. Durant le fonctionnement de la machine à glaçons et les cycles de nettoyage, les trois premières lignes de l'écran Accueil offrent des informations utiles sur l'état et la quatrième ligne affiche les alertes et les messages. En programmation, les quatre lignes de l'écran courant sont affichées et ce qui est en évidence, ainsi que les flèches, le curseur et les sélections informent l'utilisateur des actions possibles.

Vue d'ensemble de Navigation Menu

# Modèles Indigo™ - Vue d'ensemble Navigation



### Navigation Panneau d'affichage

|   |   |    |   |   |   |   |   |   |   |   |   |   |   |   |   |
|---|---|----|---|---|---|---|---|---|---|---|---|---|---|---|---|
| [ | L | a  | n | g | u | e |   |   |   |   |   |   | > | ] | ▼ |
|   | H | r. |   | e | t |   | d | a | t | e |   |   | > |   |   |
|   | C | o  | n | f | i | g |   | h | e | u | r | e | > |   |   |
|   | U | n  | i | t | é | s |   |   |   |   |   |   | > |   | ▼ |

**En évidence :** Les parenthèses indiquent si une ligne à l'écran est « en évidence » ou si elle entraîne une action. Déplacer les parenthèses d'une ligne à l'autre en utilisant le bouton Haut ou Bas. Déplacer les parenthèses vers le bas à partir de la quatrième ligne pour afficher davantage le menu.

**Flèches :** Deux sortes de flèches donnent des indices au sujet des informations supplémentaires. Les symboles « > » démontrent qu'un autre écran est disponible en appuyant sur la Coche lorsqu'une ligne est mise en évidence. « ▼ » and « ▲ » symbols indicate the limits of the screen viewed. REMARQUE : Une autre indication au sujet de la longueur de l'écran d'un menu est que Sortie est le dernier item.

|  |   |   |   |   |   |   |   |   |  |  |  |  |   |  |  |
|--|---|---|---|---|---|---|---|---|--|--|--|--|---|--|--|
|  | 0 | 7 |   | 2 | 4 |   | 1 | 0 |  |  |  |  |   |  |  |
|  | 1 | 4 | : | 0 | 8 |   |   |   |  |  |  |  |   |  |  |
|  | S | o | r | t | i | e |   |   |  |  |  |  | > |  |  |
|  |   |   |   |   |   |   |   |   |  |  |  |  |   |  |  |

**Curseur :** Un curseur (souligné) est utilisé dans les lignes où les réglages actuels peuvent être ajustés. Dans ces écrans, utiliser les boutons Haut et Bas pour effectuer les changements aux valeurs soulignées. Déplacer le curseur d'un chiffre à l'autre en utilisant les boutons Droite et Gauche. Utiliser la Coche pour déplacer le curseur d'une ligne vers le bas. Sortir de l'écran et entrer de nouveau dans l'écran pour revenir au début.

|   |   |   |   |   |   |   |  |  |  |   |   |   |   |   |
|---|---|---|---|---|---|---|--|--|--|---|---|---|---|---|
| [ | M | / | J | / | A |   |  |  |  | ( | ✓ | ) | ] | ▼ |
|   | J | / | M | / | A |   |  |  |  | ( |   | ) |   |   |
|   | 1 | 2 |   | h | r | s |  |  |  | ( |   | ) |   |   |
|   | 2 | 4 |   | h | r | s |  |  |  | ( | ✓ | ) |   | ▼ |

**Sélections :** Lorsque les parenthèses ( ) apparaissent, elles indiquent qu'une sélection est disponible en appuyant sur la Coche lorsque la ligne est mise en évidence. Si le choix est exclusif, le sélectionner avec la Coche décochera une autre sélection. Ce qui signifie, dans l'exemple Config heure ci-dessus, que sélectionner J/M/A désélectionnera M/J/A.


### Alertes et Messages

Lorsqu'il y a des alertes et des messages, ils seront mis en évidence et pourront être sélectionnés avec la Coche. Les alertes affichées auront priorité sur les messages.

|   |   |   |   |   |   |   |   |   |   |   |   |   |  |  |  |
|---|---|---|---|---|---|---|---|---|---|---|---|---|--|--|--|
|   | A | r | r | ê | t |   |   |   |   |   |   |   |  |  |  |
|   | M | o | d | e |   | M | a | r | / | A | r | r |  |  |  |
|   |   |   |   |   |   |   |   |   |   |   |   |   |  |  |  |
| [ |   |   |   |   |   |   |   |   |   |   |   |   |  |  |  |
|   |   |   |   |   |   |   |   |   |   |   |   |   |  |  |  |

Par exemple, si les alertes apparaissent dans la quatrième ligne sur l'écran :

1. Appuyer sur la Coche. Une liste d'alertes apparaîtra à l'écran.
2. Choisir l'alerte que vous voulez adresser en déplaçant les parenthèses en évidence avec le bouton Bas.
3. Appuyer de nouveau sur la Coche. Un écran apparaîtra avec une ligne qui peut être sélectionnée pour effacer l'alerte, une ligne pour accéder à une liste de causes possibles et une ligne pour accéder à l'information de service.
4. Revenir à l'écran Accueil en appuyant sur le bouton Gauche jusqu'à ce qu'il apparaisse.

|   |              |
|---|--------------|
|  | Info machine |
|   | ▼            |
|   | Config.      |
|   | ▼            |
|   | Écono éner   |
|   | ▼            |
|   | Défaut usine |
|   | ▼            |
|   | Dépannage    |
|   | ▼            |
|   | Sortie       |

**Menu principal**

## Menu principal

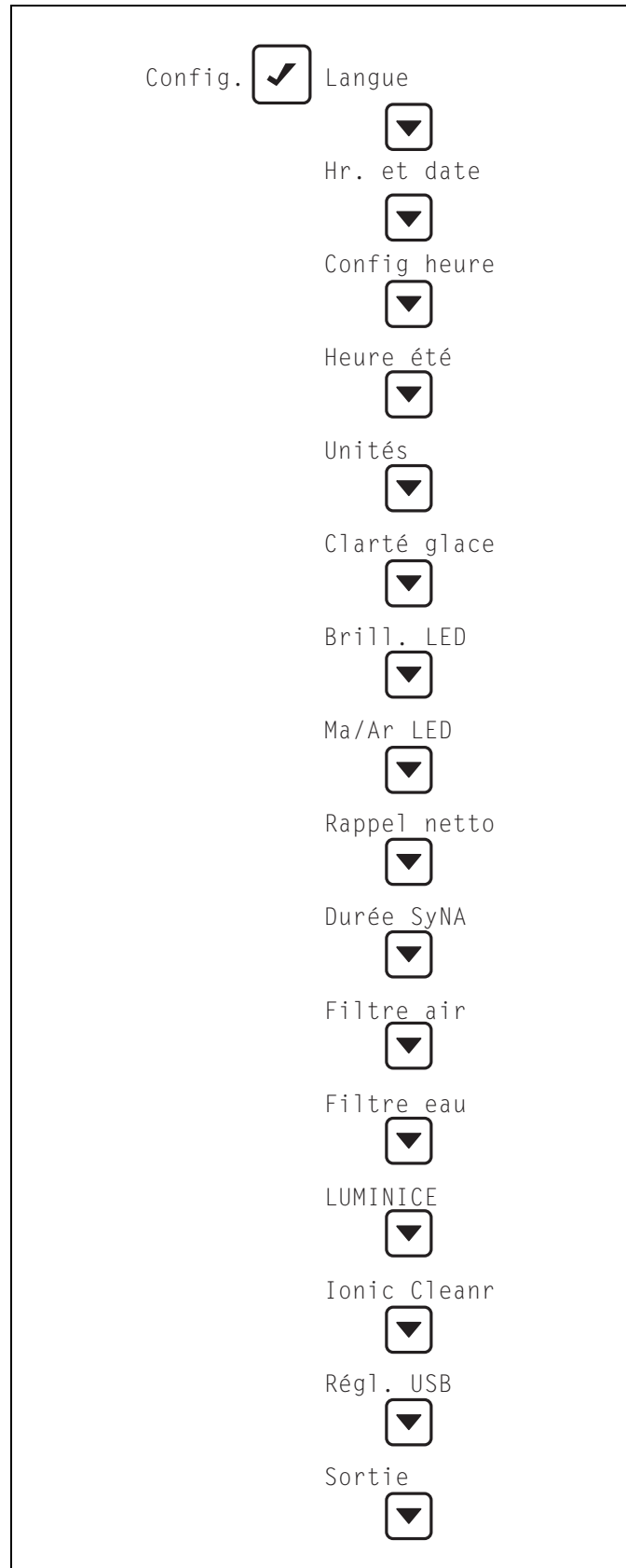
À partir de l'écran Accueil, appuyer sur le bouton Menu pour accéder au Menu principal, où vous pouvez choisir de voir l'information au sujet de la machine, faire des changements à la configuration, régler le mode Économie d'énergie ou entrer dans le Menu Service.

## Menu Info machine

À partir du Menu principal, s'assurer que Info machine soit en évidence et appuyer sur la Coche pour voir une liste incluant la capacité, le numéro de modèle, le numéro de série IMH, le numéro de série du condenseur, la date d'installation, la date de fabrication et la version du logiciel. Utiliser le bouton Bas pour mettre un item en évidence et utiliser la Coche pour voir l'information. Appuyer sur le bouton Gauche pour revenir aux écrans précédents.

## Menu Config

À partir du Menu principal, utiliser le bouton Bas pour naviguer jusqu'à Config et appuyer sur la Coche. Sélectionner et personnaliser les réglages de la machine dans ce menu. Appuyer sur le bouton Gauche pour revenir aux écrans précédents.



**Menu Config**



**HEURE ET DATE**

Consulter les instructions étape par étape de la section Installation pour régler l'heure et la date.

|   |   |   |   |   |   |   |   |   |   |   |   |   |   |   |
|---|---|---|---|---|---|---|---|---|---|---|---|---|---|---|
| [ | M | / | J | / | A |   |   |   | ( | ✓ | ) | ] | ▼ |   |
|   | J | / | M | / | A |   |   |   | ( |   | ) |   |   |   |
|   | 1 | 2 |   |   |   | h | r | s |   |   | ( |   | ) |   |
|   | 2 | 4 |   |   |   | h | r | s |   |   | ( | ✓ | ) | ▼ |

**LANGUE**

1. À partir du menu Config, utiliser le bouton Bas pour mettre en évidence Langue.
2. Appuyer sur la Coche. Vous pouvez choisir de voir l'écran dans une langue autre que l'Anglais, en mettant en évidence votre choix et en appuyant sur la Coche. Sélectionner une langue désélectionnera les autres.

Lorsque la Coche représente votre préférence, utiliser le bouton Bas pour naviguer jusqu'à Sortie et appuyer sur la Coche. L'écran reviendra au menu Config.

**CONFIGURATION DE L'HEURE**

1. À partir du menu Config, utiliser le bouton Bas pour mettre en évidence Config heure.
2. Appuyer sur la Coche. Sur cet écran, vous pouvez choisir si la date sera affichée dans le format M/J/A ou J/M/A en mettant votre choix en évidence et en appuyant sur la Coche. Sélectionner un choix désélectionnera l'autre.
3. Vous pouvez aussi choisir si l'heure sera affichée dans un format de 12 hrs ou 24 hrs en mettant votre choix en évidence et en appuyant sur la Coche. Sélectionner un choix désélectionnera l'autre.
4. Lorsque les deux choix représentent votre préférence, utiliser le bouton Bas pour naviguer jusqu'à Sortie et appuyer sur la Coche. L'écran reviendra au menu Config.

**UNITÉS**

1. À partir du menu Config, utiliser le bouton Bas pour mettre en évidence Unités.
2. Appuyer sur la Coche. Sur cet écran, vous pouvez décider que la machine à glaçons affichera ses mesures en Celsius ou Fahrenheit, en kilogrammes ou livres, et en gallons ou litres en mettant votre choix en évidence pour chaque paire et en appuyant sur la Coche. Sélectionner un choix dans chaque paire désélectionnera l'autre. S'assurer de naviguer avec le bouton Bas pour faire les trois choix.
3. Lorsque les trois coches représentent vos préférences, utiliser le bouton Bas pour naviguer jusqu'à Sortie et appuyer sur la Coche. L'écran reviendra au menu Config.

**CLARTÉ DE LA GLACE**

Là où la qualité de l'eau potable est mauvaise, la machine à glaçons produira des glaçons blanchâtres. Régler la Clarté de la glace à ACT ajoutera de l'eau lors du cycle de congélation afin de diluer l'eau qui contient un contenu élevé de matières dissoutes dans le bac à eau. Cette caractéristique diminue la production et augmente la consommation d'eau. Un filtre à eau est recommandé pour produire une glace de meilleure qualité tout en maintenant le mode d'opération le moins élaboré.

1. À partir du menu Config, utiliser le bouton Bas pour mettre en évidence Clarté glace.
2. Appuyer sur la Coche. Sur cet écran, vous pouvez choisir de mettre la caractéristique clarté de la glace à ACT or DÉSA en mettant votre choix en évidence et en appuyant sur la Coche. Sélectionner un choix désélectionnera l'autre.
3. Lorsque la Coche représente votre préférence, utiliser le bouton Bas pour naviguer jusqu'à Sortie et appuyer sur la Coche. L'écran reviendra au menu Config.

**BRILLANCE LED**

Ici, la brillance de l'écran LED peut être ajustée.

1. À partir du menu Config, utiliser le bouton Bas pour mettre en évidence Brill. LED.
2. Appuyer sur la Coche. Vous verrez un des quatre graphiques à barres indiquant les niveaux de brillance de l'écran. Le niveau 1 est représenté par une barre, le niveau 2 est représenté par deux barres, etc.
3. Utiliser les boutons Haut et Bas pour sélectionner votre préférence.
4. Lorsque le graphique à barres reflète votre préférence, appuyer sur la Coche. L'écran reviendra au menu Config.

### DÉFAUTS USINE

La configuration au complet peut être remise aux défauts d'usine listés dans la section *Installation*.

1. À partir du menu Config, utiliser le bouton Bas pour mettre en évidence Défaut usine.
2. Appuyer sur la Coche deux fois pour réinitialiser la machine à glaçons. L'écran reviendra au menu Config.

### RAPPEL NETTOYAGE

Rappel nettoyage est une caractéristique qui affiche un rappel de nettoyage à un intervalle de temps pré réglé.

1. À partir du menu Config, utiliser le bouton Bas pour mettre en évidence Rappel netto.
2. Appuyer sur la Coche. Sur cet écran, vous pouvez aussi choisir de mettre le rappel à ACT ou DÉSA en mettant votre choix en évidence et en appuyant sur la Coche. Sélectionner un choix désélectionnera l'autre.
3. Vous pouvez aussi choisir l'intervalle de temps à partir de cet écran en mettant en évidence Config intev et en appuyant sur la Coche.
4. Appuyer sur le bouton Gauche pour revenir aux écrans précédents et au menu Config.

### DURÉE SYNA

Le Système de Nettoyage Automatique est un accessoire en option et effectuera un cycle de nettoyage à un intervalle de temps pré réglé.

1. À partir du menu Config, utiliser le bouton Bas pour mettre en évidence Durée SyNA.
2. Appuyer sur la Coche. Sur cet écran, vous pouvez choisir de mettre la caractéristique à ACT ou DÉSA en mettant votre choix en évidence et en appuyant sur la Coche. Sélectionner un choix désélectionnera l'autre.
3. Vous pouvez aussi choisir l'intervalle de temps à partir de cet écran en mettant en évidence Config intev et en appuyant sur la Coche.
4. Appuyer sur le bouton Gauche pour revenir aux écrans précédents et au menu Config.

### FILTRE AIR

La machine à glaçons a une caractéristique qui affiche un rappel de nettoyage du filtre à air à un intervalle de temps pré réglé.

1. À partir du menu Config, utiliser le bouton Bas pour mettre en évidence Filtre air.
2. Appuyer sur la Coche. Sur cet écran, vous pouvez aussi choisir de mettre le rappel à AUTO ou DÉSA en mettant votre choix en évidence et en appuyant sur la Coche. Sélectionner un choix désélectionnera l'autre.
3. Vous pouvez aussi choisir l'intervalle de temps à partir de cet écran en mettant en évidence Config intev et en appuyant sur la Coche.
4. Appuyer sur le bouton Gauche pour revenir aux écrans précédents et au menu Config.

**FILTRE EAU**

La machine à glaçons a une caractéristique qui affiche un rappel pour remplacer le filtre à eau à un intervalle de temps préréglé.

1. À partir du menu Config, utiliser le bouton Bas pour mettre en évidence Filtre eau.
2. Appuyer sur la Coche. Vous pouvez enregistrer le type de filtre sur cet écran en mettant en évidence Type filtre et en appuyant sur la Coche.
3. Après avoir fait votre sélection, appuyer sur le bouton Gauche pour revenir aux écrans précédents.
4. Sur cet écran, vous pouvez aussi choisir de mettre le rappel à AUTO ou DÉSA en mettant votre choix en évidence et en appuyant sur la Coche. Sélectionner un choix désélectionnera l'autre.
5. Vous pouvez aussi choisir l'intervalle de temps à partir de cet écran en mettant en évidence Config intev et en appuyant sur la Coche.
6. Appuyer sur le bouton Gauche pour revenir aux écrans précédents et au menu Config.

**LUMINICE™**

LuminIce™ est un accessoire en option qui empêchera la croissance d'algues, de film biologique et de bactéries la zone alimentaire. Le LuminIce™ est une caractéristique qui affiche un rappel de changer son ampoule chaque 12 mois.

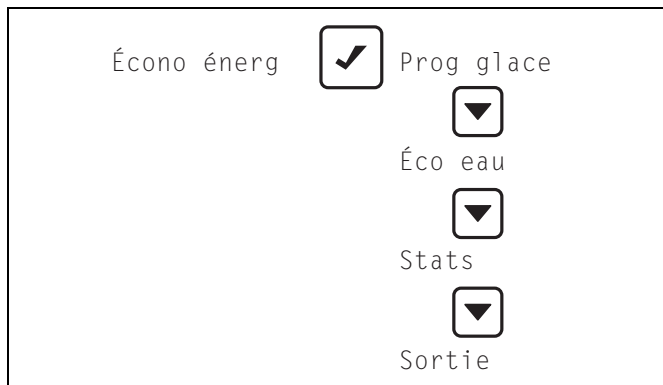
1. À partir du menu Config, utiliser le bouton Bas pour mettre en évidence LuminIce™.
2. Appuyer sur la Coche. Sur cet écran, vous pouvez aussi choisir de mettre le rappel à AUTO ou DÉSA en mettant votre choix en évidence et en appuyant sur la Coche. Sélectionner un choix désélectionnera l'autre.
3. Lorsque la Coche représente votre préférence, utiliser le bouton Bas pour naviguer jusqu'à Sortie et appuyer sur la Coche. L'écran reviendra au menu Config.

**RÉGLAGE USB**

Contactez Manitowoc Foodservice pour plus d'information sur ce réglage au sujet d'une mise à niveau du micrologiciel avec une clé USB et d'une exportation des données sur une clé USB.

## Menu Écono énerg

À partir du Menu principal, utiliser le bouton Bas pour naviguer jusqu'à Écono énerg et appuyer sur la Coche. Configurer un programme d'économie d'énergie, activer le Éco eau et consulter les statistiques d'utilisation à partir de ce menu Appuyer sur le bouton Gauche pour revenir aux écrans précédents.



**Menu Écono énerg**

### ÉCO EAU

Éco eau est une caractéristique qui réduit la consommation d'eau en éliminant les cycles de rinçage. L'activation de cette caractéristique est recommandée uniquement pour les systèmes qui ont un filtre à eau déionisé ou à osmose inverse.

1. À partir du menu Écono énerg, utiliser le bouton Bas pour mettre en évidence Éco eau.
2. Appuyer sur la Coche. Sur cet écran, vous pouvez choisir de mettre la caractéristique à Éco eau à ACT ou DÉSA en mettant votre choix en évidence et en appuyant sur la Coche. Sélectionner un choix désélectionnera l'autre.
3. Appuyer sur le bouton Gauche pour revenir aux écrans précédents et au menu Écono énerg.

## PROGRAMMATION GLACE

Pour économiser l'énergie et l'eau, la machine à glaçons peut être programmée pour ne fonctionner que lorsque les glaçons seront utilisés ou lorsque le niveau du bac diminue avec l'utilisation.

### Important

Le réglage d'un programme glace annulera le Mode Mar/arr et le bouton d'Alimentation sera désactivé.

1. Dans le menu Écono énerg, s'assurer que Prog glace est en évidence.
2. Appuyer sur la Coche. Sur cet écran, vous pouvez choisir d'activer le programme selon l'heure ou selon le niveau du bac ou en mettant votre choix en évidence et en appuyant sur la Coche. Sélectionner un choix désélectionnera l'autre. Si un des choix est sélectionné et que vous ne voulez aucune sélection, mettez en évidence le choix et appuyez de nouveau sur la Coche.
3. Si aucun des programmes est sélectionné, en mettant en évidence Suivant et en appuyant sur la Coche vous reviendrez en haut de cet écran. Si aucun des programmes est sélectionné, mettre en évidence Suivant et appuyer sur la Coche pour choisir les heures et les niveaux du bac. REMARQUE : Pour des détails sur l'utilisation du curseur pour le programme heure, consulter Navigation Panneau d'affichage dans cette section.
4. Sélectionner Sortie pour revenir aux écrans précédents et une autre fois pour revenir au menu Écono énerg.

## STATISTIQUES

1. À partir du menu Écono énerg, utiliser le bouton Bas pour mettre en évidence Stats.
2. Appuyer sur la Coche. Pour voir les statistiques de production de glaçons, de consommation d'eau potable ou de consommation d'énergie, mettre votre choix en évidence et appuyer sur la Coche.
3. Appuyer sur le bouton Gauche pour revenir aux écrans précédents et au menu Écono énerg.

**Menu Service**

À partir du Menu principal, utiliser le bouton Bas pour naviguer jusqu'à Service et appuyer sur la Coche. Ce menu sera utilisé par du personnel de service formé.

**HISTORIQUE**

Appuyer sur la Coche avec Historique en évidence pour voir une liste de dates à huit chiffres (Actuel, Actuel + 1 ... Actuel + 5), de même que Info gén (s'assurer d'utiliser le bouton Bas pour voir toute l'information disponible).

Pour chacune des dates, utiliser la Coche pour voir :

- Tps cong min
- Tps cong max
- Recueil min
- Recueil max
- Dif max T3T4
- Durée
- Compt cyc
- Eau potab
- Cyc nett

Pour Info gén, utiliser la Coche pour voir :

- Date instal. (Instal.)
- Remplacements Tableau de commande (Rempl tab com)
- DDF Tableau de commande de com (DDF tab com)
- Durée exé
- Prod glaçons
- Compt cyc
- Eau potab
- Cycles netto (Cyc nett)

**DON TEMP RÉE**

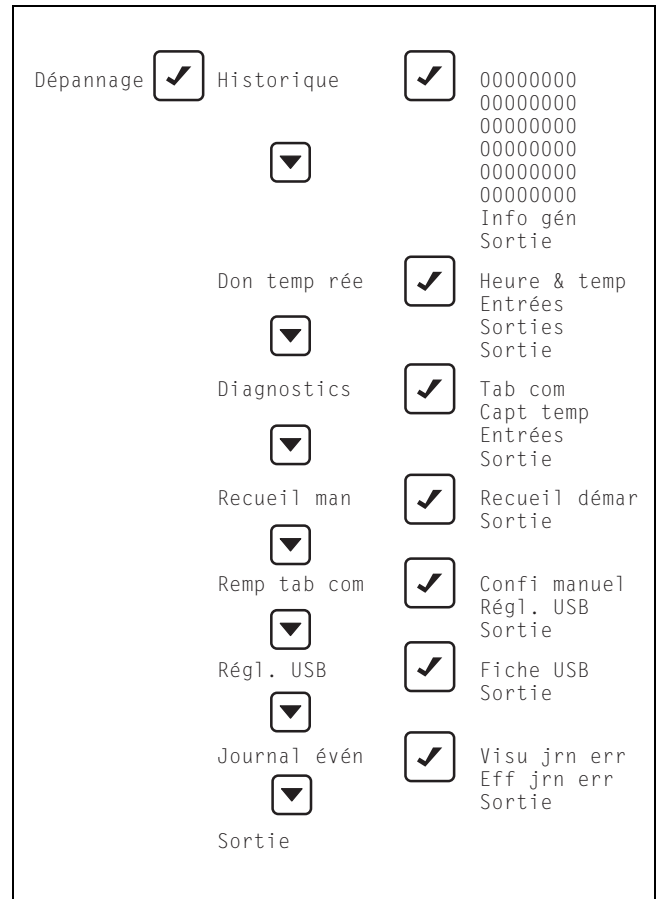
Appuyer sur la Coche avec Don temp rée en évidence pour obtenir les lectures sur Heure & temp, Entrées et Sorties.

**DIAGNOSTICS**

Appuyer sur la Coche avec Diagnostics en évidence pour accéder aux écrans où vous pourrez exécuter des diagnostics au niveau du tableau de commande, des détecteurs et des interrupteurs.

**RECUEIL MANUEL**

Appuyer sur la Coche avec Recueil man en évidence pour accéder à un écran où vous pourrez initier un recueil manuel.



**Menu Service**

## Séquence de fabrication des glaçons

REMARQUE : Le bouton d'alimentation doit être appuyé et le rideau d'eau/les amortisseurs de glaçons doivent être en place sur l'évaporateur avant que la machine à glaçons ne puisse démarrer.

### Cycle de purge d'eau

La machine à glaçons évacue toute eau restante du bac à eau par le siphon.

### Cycle de congélation

L'eau s'écoule sur l'évaporateur et le système de réfrigération refroidit l'évaporateur. La glace s'accumule sur l'évaporateur et le cycle de congélation se poursuit jusqu'à ce que la sonde de l'épaisseur de la glace détecte qu'une couche de glace se soit formée. La sonde de l'épaisseur de la glace envoie un signal à la sonde pour commencer le recueil.

### Cycle de recueil

Toute l'eau restante s'évacue dans le siphon tandis que le gaz réfrigérant chauffe l'évaporateur. Lorsque l'évaporateur chauffe, la feuille de glaçons glisse de l'évaporateur vers le bac de stockage. Si tous les glaçons tombent pour vider le rideau d'eau (ou amortisseur de glaçons), la machine à glaçons démarre un autre cycle de congélation.

### Cycle d'arrêt

Si le rideau d'eau ou l'amortisseur de glaçons est ouvert par la présence de glaçons, la machine à glaçons s'arrête. Lorsque le rideau d'eau ou l'amortisseur de glaçons se ferme, la machine à glaçons démarre un nouveau cycle à la purge d'eau.

### Temporisateurs de tableau de commande

Le tableau de commande comporte les temporisateurs non réglables suivants :

- La machine à glaçons est verrouillée dans le cycle de congélation pendant 6 minutes avant de pouvoir lancer le cycle de récupération.
- Le temps de congélation maximum est de 60 minutes après quoi le tableau de commande lance automatiquement une séquence de récupération des glaçons.
- Le temps de recueil maximal est de 3,5 minutes. Le tableau de commande lance automatiquement une séquence de congélation lorsque ces temps sont dépassés.

## LIMITES DE SÉCURITÉ

Les limites de sécurité sont mises en mémoire et indiquées par le tableau de commande au bout de trois cycles. Le nombre de cycles requis pour arrêter la machine à glaçons varie pour chaque limite de sécurité.

- Limite de sécurité 1 - Si le temps de congélation atteint 60 minutes, le tableau de commande lance automatiquement un cycle de récupération des glaçons. La machine à glaçons s'arrête après 6 cycles consécutifs de congélation de 60 minutes.
- Limite de sécurité 2 - Si le temps de récupération des glaçons atteint 3,5 minutes, le tableau de commande lance automatiquement le cycle de congélation de la machine à glaçons. La machine à glaçons s'arrête après 500 cycles consécutifs de congélation de 3,5 minutes.

Une limite de sécurité est indiquée par une lumière clignotante étiquetée SL1 ou SL2 au niveau du tableau de commande. Consulter la section 5 si vous recevez une indication de limite de sécurité.

## Vérifications opérationnelles

### GÉNÉRALITÉS

Les machines à glaçons Manitowoc sont mises en route et ajustées en usine avant l'expédition. Normalement, les nouvelles installations ne requièrent aucun ajustement.

Pour garantir un bon fonctionnement, toujours suivre les Contrôles opérationnels :

- lorsque de la mise en marche de la machine à glaçons pour la première fois
- après une période prolongée hors service
- après le nettoyage et la désinfection

REMARQUE : Les réglages périodiques et procédures d'entretien ne sont pas couverts par la garantie.

### Important

**Les scroll compresseurs de réfrigération doivent fonctionner pendant une période de rodage de 24 heures avant qu'une production complète de glace ne soit atteinte.**

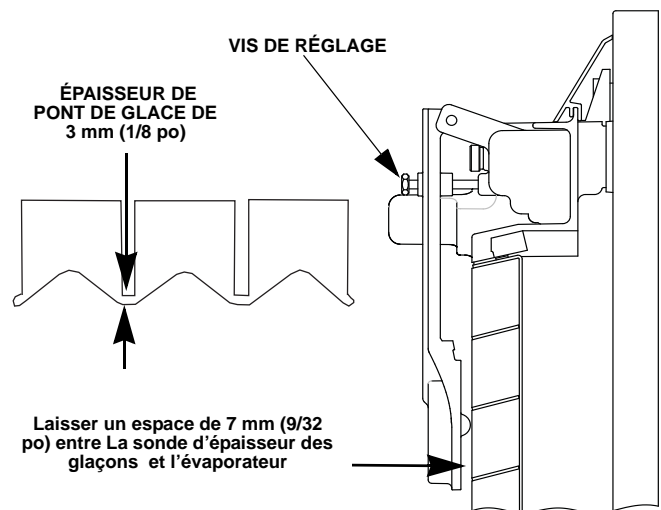
## CONTRÔLE DE L'ÉPAISSEUR DES GLAÇONS

Après un cycle de récupération des glaçons, inspecter les glaçons dans le bac de stockage de glaçons. La sonde d'épaisseur des glaçons est réglée en usine pour maintenir l'épaisseur du pont de glace à 3 mm (1/8 po).

REMARQUE : S'assurer que le rideau d'eau est en place lorsque ce contrôle est effectué. Il empêche les projections d'eau hors du bac à eau.

1. Inspecter le pont connectant les glaçons. Son épaisseur doit être d'environ 3 mm (1/8 po).
2. Si un réglage est nécessaire, tourner la vis de réglage de la sonde d'épaisseur des glaçons dans le sens des aiguilles d'une montre pour augmenter l'épaisseur du pont et dans le sens contraire des aiguilles d'une montre pour diminuer l'épaisseur du pont. Laisser un espace de 7 mm (9/32 po) entre la sonde d'épaisseur des glaçons et l'évaporateur comme point de départ, puis effectuer le réglage pour obtenir une épaisseur de pont de 3 mm (1/8 po).

REMARQUE : Si la vis de réglage est tournée de 1/3, l'épaisseur des glaçons changera d'environ 1,5 mm (1/16 po).



### Contrôle de l'épaisseur des glaçons

3. Veiller à ce que le fil de la sonde d'épaisseur des glaçons n'entrave pas le mouvement de la sonde.

CETTE PAGE EST INTENTIONNELLEMENT LAISSÉE EN BLANC



## Section 4

### Entretien

#### Nettoyage et désinfection

##### GÉNÉRALITÉS

Le propriétaire est responsable de l'entretien de la machine à glaçons conformément aux instructions figurant dans le présent manuel. Les procédures d'entretien ne sont pas couvertes par la garantie.

Nettoyer et désinfecter la machine à glaçons tous les six mois pour un fonctionnement efficace. Si la machine à glaçons requiert un nettoyage et une désinfection plus fréquents, contacter une entreprise de maintenance qualifiée pour tester la qualité de l'eau et recommander un traitement approprié de l'eau. Une machine à glaçons extrêmement sale doit être démontée pour le nettoyage et la désinfection.

Le nettoyant et le désinfectant pour machine à glaçons Manitowoc sont les seuls produits approuvés pour les machines à glaçons Manitowoc.

##### **Attention**

Utiliser uniquement les nettoyant et désinfectant pour machine à glaçons approuvés par Manitowoc pour cette application (Nettoyant Manitowoc réf. 94-0546-3 et Désinfectant Manitowoc réf. 94-0565-3). Utiliser ces solutions sans tenir compte des instructions figurant sur les étiquettes est une violation de la loi fédérale. Lire et comprendre toutes les étiquettes imprimées sur les flacons avant utilisation.

##### **Attention**

Ne pas mélanger les solutions nettoyantes et désinfectantes. Utiliser ces solutions sans tenir compte des instructions figurant sur les étiquettes est une violation de la loi fédérale.

##### **Avertissement**

Porter des gants en caoutchouc et des lunettes de sécurité (et/ou un masque) lors de la manipulation du nettoyant ou du désinfectant pour machine à glaçons.

#### PROCÉDURE DE NETTOYAGE ET DE DÉSINFECTION

Cette procédure doit être suivie au moins une fois tous les six mois.

- La machine à glaçons et le bac doivent être démontés, nettoyés et désinfectés.
- Tous les glaçons produits pendant les procédures de nettoyage et de désinfection doivent être jetés.
- Élimine les dépôts minéraux des zones ou surfaces en contact direct avec l'eau.

#### PROCÉDURE DE NETTOYAGE POUR L'ENTRETIEN PRÉVENTIF

- Cette procédure nettoie tous les composants dans la trajectoire du débit d'eau, et est utilisée pour nettoyer la machine à glaçons entre la procédure semi annuelle de nettoyage et de désinfection.

#### NETTOYAGE EXTÉRIEUR

Nettoyer la zone entourant la machine à glaçons aussi souvent qu'il le faut pour maintenir sa propreté et un fonctionnement efficace.

Essuyer les surfaces avec un linge humide rincé à l'eau afin d'enlever la poussière et la saleté à l'extérieur de la machine à glaçons. Pour les résidus graisseux, utilisez un linge humide rincé dans une solution de savon à vaisselle doux et d'eau. Sécher à l'aide d'un chiffon propre et doux.

Les panneaux extérieurs ont un revêtement clair qui résiste aux taches et qui se nettoie facilement. Les produits qui contiennent des abrasifs endommageront le revêtement et égratigneront les panneaux.

- Ne jamais utiliser de tampons métalliques ou abrasifs pour le nettoyage.
- Ne jamais utiliser d'agents nettoyants à base de chlore, d'essence d'agrumes ou abrasifs sur les panneaux extérieurs et les garnitures de plastique.

## Procédure de nettoyage et de désinfection

### Attention

Utiliser uniquement les nettoyant et désinfectant pour machine à glaçons approuvés par Manitowoc pour cette application (Nettoyant Manitowoc réf. 94-0546-3 et Désinfectant Manitowoc réf. 94-0565-3). Utiliser ces solutions sans tenir compte des instructions figurant sur les étiquettes est une violation de la loi fédérale. Lire et comprendre toutes les étiquettes imprimées sur les flacons avant utilisation.

## PROCÉDURE DE NETTOYAGE

### Attention

Ne pas mélanger les solutions nettoyantes et désinfectantes. Utiliser ces solutions sans tenir compte des instructions figurant sur les étiquettes est une violation de la loi fédérale.

### Avertissement

Porter des gants en caoutchouc et des lunettes de sécurité (et/ou un masque) lors de la manipulation du nettoyant ou du désinfectant pour machine à glaçons.

Utiliser le nettoyant pour machine à glaçons pour éliminer le tartre et les dépôts minéraux. Le désinfectant pour machine à glaçons désinfecte et élimine les algues et tout film biologique.

REMARQUE : Bien que ce ne soit pas nécessaire et selon votre installation, enlever le couvercle supérieur de la machine à glaçons peut faciliter l'accès.

**Étape 1** Ouvrir la porte pour accéder au compartiment évaporateur. La glace ne doit pas se trouver sur l'évaporateur durant le cycle de nettoyage/désinfection. Suivre une des méthodes ci-dessous :

- Appuyer sur l'interrupteur à bascule une fois que les glaçons tombent de l'évaporateur à la fin d'un cycle de récupération des glaçons.
- Appuyer sur l'interrupteur et laisser la glace fondre.

### Attention

Ne jamais utiliser quoi que ce soit pour forcer la glace à sortir de l'évaporateur. Ceci pourrait causer des dommages.

**Étape 2** Retirer tous les glaçons du bac/distributeur.

**Étape 3** Appuyer sur l'interrupteur Nettoyage. L'eau s'écoulera par le robinet d'évacuation d'eau et par l'évacuation d'eau. Attendre que le bac à eau se remplisse à nouveau et que l'écran indique qu'il faut ajouter la solution (environ 1 minute), puis ajouter la quantité appropriée de nettoyant pour machine à glaçons.

| Modèle   | Quantité de nettoyant |
|--|-----------------------|
| I0300/I0320/I0520                                  | 90 ml (3 onces)       |
| I0450/I0500/I0600/I0850<br>I0900/I1000/I1100/I1200 | 150 ml (5 onces)      |
| I1400/I1800  | 265 ml (9 onces)      |

**Étape 4** Attendre que le cycle de nettoyage soit terminé (approximativement 24 minutes). Puis couper l'alimentation vers la machine à glaçons (et le distributeur s'il y a lieu).

### Avertissement

Couper l'alimentation de la machine à glaçons au niveau de la boîte de distribution électrique.

**Étape 5** Retirer les pièces à nettoyer.

**Se reporter aux procédures de retrait des pièces correspondant à la machine à glaçons. Passer à l'étape 6 une fois les pièces retirées.**

**Machines à glaçons à évaporateur unique - Page 82**

**Étape 6** Mélanger une solution nettoyante avec de l'eau chaude. Selon la quantité de dépôt minéral, une quantité plus importante de solution peut être requise. Utiliser le rapport dans le tableau ci-dessous pour mélanger suffisamment de solution pour nettoyer toutes les pièces.

| Type de solution | Eau            | Mélangée avec               |
|------------------|----------------|-----------------------------|
| Nettoyant        | 4 L (1 gallon) | 500 ml (16 oz) de nettoyant |

**Étape 7** Utiliser la moitié du mélange nettoyant/eau pour nettoyer tous les composants. La solution nettoyante mousse lorsqu'elle est en contact avec du tartre ou des dépôts minéraux ; lorsque la formation de mousse s'arrête, utiliser une brosse en nylon à poils souples, une éponge ou un chiffon (PAS une brosse métallique) pour nettoyer soigneusement les pièces. Faire tremper les pièces pendant 5 minutes (15 - 20 minutes pour les pièces fortement entartrées). Rincer tous les composants à l'eau claire.

**Étape 8** Pendant le trempage des composants, utiliser la moitié de la solution nettoyant/eau pour nettoyer toutes les surfaces de la zone alimentaire de la machine à glaçons et du bac (ou du distributeur). Utiliser une brosse en nylon ou un chiffon pour nettoyer les zones suivantes de la machine à glaçons :

- Parois latérales
- Base (zone au-dessus du bac à eau)
- Pièces en plastique de l'évaporateur – y compris les parties supérieures, inférieures et latérales
- Bac ou distributeur

Rincer complètement toutes les zones à l'eau claire.

### PROCÉDURE DE DÉSINFECTION

**Étape 9** Mélanger une solution désinfectante avec de l'eau tiède.

| Type de solution | Eau              | Mélangée avec                |
|------------------|------------------|------------------------------|
| Désinfectant     | 12 L (3 gallons) | 60 ml (2 oz) de désinfectant |

**Étape 10** Utiliser la moitié de la solution désinfectant/eau pour désinfecter tous les composants retirés. Utiliser un flacon pulvérisateur pour appliquer abondamment la solution sur toutes les surfaces des pièces retirées ou faire tremper les pièces retirées dans la solution désinfectant/eau. Ne pas rincer les pièces après la désinfection.

**Étape 11** Utiliser la moitié de la solution désinfectant/eau pour désinfecter toutes les surfaces de la zone alimentaire de la machine à glaçons et du bac (ou du distributeur). Utiliser un flacon pulvérisateur pour appliquer abondamment la solution. Lors de la désinfection, faire particulièrement attention aux zones suivantes :

- Parois latérales
- Base (zone au-dessus du bac à eau)
- Pièces en plastique de l'évaporateur – y compris les parties supérieures, inférieures et latérales
- Bac ou distributeur

Ne pas rincer les zones désinfectées.

**Étape 12** Remettre tous les composants retirés en place.

**Étape 13** Attendre 20 minutes.

**Étape 14** Rebrancher la machine à glaçons et appuyer sur le bouton Nettoyer

**Étape 15** Attendre que le bac à eau se remplisse à nouveau et que l'écran indique qu'il faut ajouter la solution (environ 1 minute). Ajouter la quantité appropriée de désinfectant pour machine à glaçons Manitowoc dans le bac à eau en la versant entre le rideau d'eau et l'évaporateur.

| Modèle  | Quantité de désinfectant |
|---|--------------------------|
| I0300/I0320/I0520                                 | 90 ml (3 onces)          |
| I0450/I0500/I0600/I0850<br>I0900/1000/I1100/I1200 | 90 ml (3 onces)          |
| I1400/I1800                                       | 180 ml (6 onces)         |

**Étape 16** Fermer sécuritairement la porte avant. La machine à glaçons commencera automatiquement la fabrication de glaçons une fois que le cycle de désinfection est complété (environ 24 minutes).

## Retrait des pièces pour le nettoyage/la désinfection

### Machines à glaçons à évaporateur unique

#### A. Retrait du rideau d'eau

- Plier doucement le rideau en son centre et le retirer par la droite.
- Désengager la cheville gauche.

#### B. Retrait de la sonde d'épaisseur de glaçons

- Comprimer l'axe d'articulation sur le dessus de la sonde d'épaisseur des glaçons.
- Faire pivoter la sonde d'épaisseur de glaçons pour désengager une cheville puis l'autre. La sonde d'épaisseur des glaçons peut être nettoyée à ce stade sans être complètement retirée. En cas de retrait complet, débrancher le câble de la sonde d'épaisseur des glaçons du tableau de commande.

#### C. Retrait du bac à eau

- Appuyer sur les languettes sur la droite et la gauche du bac à eau.
- Laisser le bac à eau descendre en le tirant vers l'avant pour désengager les chevilles arrière.

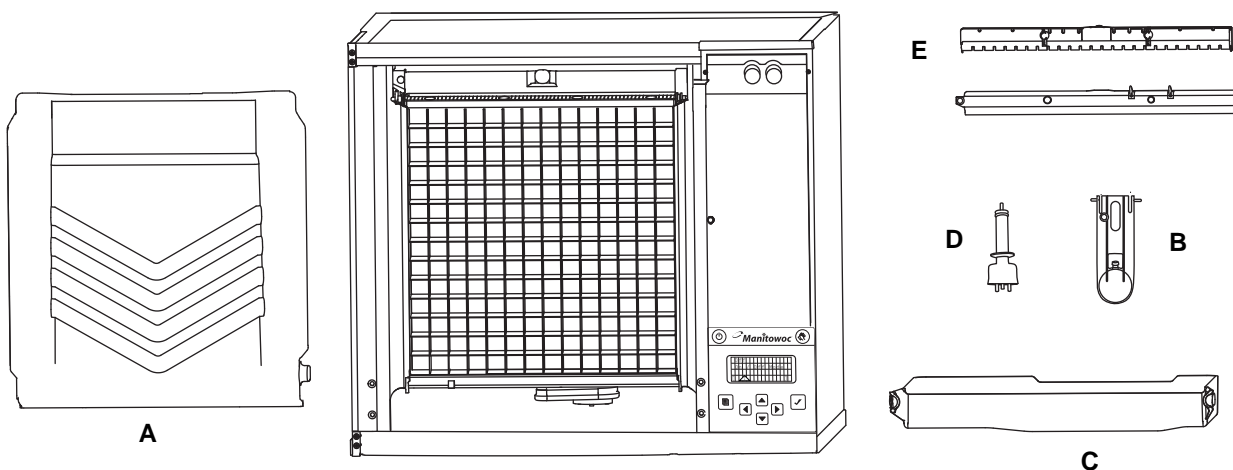
#### D. Retrait de la sonde du niveau d'eau

- Tirer la sonde de niveau d'eau vers le bas pour la désengager.
- Abaisser la sonde de niveau d'eau jusqu'à ce que le connecteur de câble soit visible.
- Débrancher le câble de la sonde de niveau d'eau.
- Retirer la sonde de niveau d'eau de la machine à glaçons.

#### E. Retrait du tube de distribution d'eau

REMARQUE : Les vis à oreilles du tube de distribution sont maintenues en place pour éviter toute perte. Desserrer les vis à oreilles sans les sortir du tube de distribution.

- Desserrer les deux vis extérieures (ne pas les retirer complètement étant donné qu'elles sont maintenues en place pour éviter toute perte) et tirer le tube de distribution vers l'avant pour libérer le joint coulissant.
- Démontez le tube de distribution en desserrant les deux (2) vis à oreilles du milieu et en séparant le tube de distribution en deux parties.



## Procédure de nettoyage pour l'entretien préventif

Cette procédure nettoie tous les composants dans la trajectoire du débit d'eau, et est utilisée pour nettoyer la machine à glaçons entre la procédure semi annuelle de nettoyage et de désinfection.

Utiliser le nettoyant pour machine à glaçons pour éliminer le tartre et les dépôts minéraux. Le désinfectant pour machine à glaçons désinfecte et élimine les algues et tout film biologique.

REMARQUE : Bien que ce ne soit pas nécessaire et selon votre installation, enlever le couvercle supérieur de la machine à glaçons peut faciliter l'accès.

**Étape 1** La glace ne doit pas se trouver sur l'évaporateur durant le cycle de nettoyage/désinfection. Suivre une des méthodes ci-dessous :

- Appuyer sur l'interrupteur à bascule une fois que les glaçons tombent de l'évaporateur à la fin d'un cycle de récupération des glaçons.
- Appuyer sur l'interrupteur et laisser la glace fondre.

### Attention

Ne jamais utiliser quoi que ce soit pour forcer la glace à sortir de l'évaporateur. Ceci pourrait causer des dommages.

**Étape 2** Ouvrir la porte avant pour accéder à l'évaporateur.

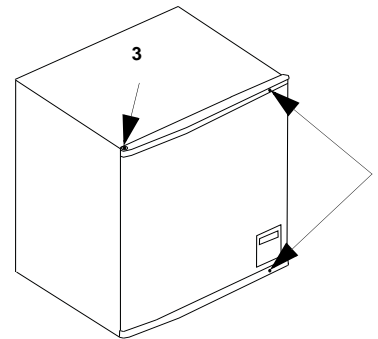
**Étape 3** Appuyer sur l'interrupteur Nettoyage. L'eau s'écoulera par le robinet d'évacuation d'eau et par l'évacuation d'eau. Attendre que le bac à eau se remplisse à nouveau et que l'écran indique qu'il faut ajouter la solution (environ 1 minute), puis ajouter la quantité appropriée de nettoyant pour machine à glaçons.

| Modèle   | Quantité de nettoyant |
|--|-----------------------|
| I0300/I0320/I0520                                  | 90 ml (3 onces)       |
| I0450/I0500/I0600/I0850<br>I0900/I1000/I1100/I1200 | 150 ml (5 onces)      |
| I1400/I1600/I1800                                  | 265 ml (9 onces)      |

**Étape 4** Fermer sécuritairement la porte avant. La machine à glaçons commencera automatiquement la fabrication de glaçons une fois que le cycle de nettoyage est complété (environ 24 minutes).

## Retrait des portes

1. À l'aide d'un tournevis cruciforme, desserrer les deux vis maintenant les portes gauche et droite. Ne pas les retirer, elles sont fixées pour éviter de les perdre.
2. Ouvrir la porte avant gauche à 90 degrés.



### Retrait des portes

3. Soutenir de la main droite, enfoncer la cheville supérieure, basculer le haut de la porte vers l'avant et la soulever de la cheville inférieure pour la retirer.

## Nettoyage du condenseur

### GÉNÉRALITÉS



#### Avertissement

Débrancher l'alimentation électrique de la partie principale de la machine à glaçons et l'unité de condensation à distance au niveau des interrupteurs de distribution électrique avant de nettoyer le condenseur.

Un condenseur sale restreint le débit d'air, entraînant ainsi des températures de fonctionnement excessivement élevées. Ce qui réduit la production de glaçons et raccourcit la durée de vie des composants.

- Nettoyer le condenseur au moins tous les six mois.



#### Avertissement

Les ailettes du condenseur sont coupantes. Faire attention en les nettoyant.

- Éclairer une lampe de poche dans le condenseur pour inspecter toute présence éventuelle de saleté entre les ailettes.
- Souffler à l'air comprimé ou rincer à l'eau de l'intérieur vers l'extérieur (sens opposé du débit d'air).
- S'il reste de la saleté, contacter un agent de service pour nettoyer le condenseur.

## Mise hors service/Hivérisation

1. Nettoyer et désinfecter la machine à glaçons.
2. Appuyer sur le bouton d'alimentation et éteindre la machine à glaçons.
3. Couper l'alimentation en eau, débrancher et vider la conduite d'eau de fabrication de glaçons entrante à l'arrière de la machine à glaçons et vider le bac à eau.
4. Mettre la machine à glaçons sous tension, attendre une minute pour que le robinet d'arrivée d'eau s'ouvre et souffler de l'air comprimé dans les ouvertures de l'eau entrante et de l'évacuation à l'arrière de la machine à glaçons pour retirer toute l'eau.
5. Appuyer sur le bouton d'alimentation et éteindre la machine à glaçons. Couper l'alimentation de la machine à glaçons au niveau du disjoncteur ou de la boîte de distribution électrique.
6. Remplir un flacon pulvérisateur d'une solution de désinfectant/eau et vaporiser toutes les surfaces de zone alimentaire intérieures. Ne pas rincer et laisser sécher à l'air.
7. Remettre tous les panneaux en place.

## Section 5

### Service clientèle

#### Liste de vérification

En cas de problème pendant le fonctionnement de la machine à glaçons, suivre la liste de vérification ci-dessous avant de contacter le service technique. Les réglages périodiques et procédures d'entretien ne sont pas couverts par la garantie.

| Problème  | Cause possible   | Mesure corrective  |
|---|--|--|
| La machine à glaçons ne fonctionne pas.   | Absence d'alimentation électrique à la machine à glaçons et/ou à l'unité de condensation.  | Remplacer le fusible/réinitialiser le disjoncteur/activer l'interrupteur principal.  |
|   | Déclenchement de coupure haute pression.   | Nettoyer le serpentin du condenseur. (Voir Section 4)  |
|   | Le bouton d'alimentation n'a pas été appuyé.   | Appuyez sur le bouton d'alimentation.  |
|   | Le rideau d'eau est détaché ou coincé ouvert.  | Le rideau d'eau doit être installé et osciller librement.  |
|   | La machine à glaçons n'est pas en marche.  | Appuyer sur le bouton d'alimentation, l'écran doit indiquer « Fab. glace ».  |
| La machine à glaçons s'arrête et peut redémarrer en appuyant sur l'interrupteur d'alimentation. | La fonction de limite de sécurité arrête la machine à glaçons.                             | Se reporter à « Fonction de limite de sécurité » à la page suivante.   |
| La machine à glaçons ne libère pas les glaçons ou est lente à récupérer les glaçons.            | La machine à glaçons est sale.   | Nettoyer et désinfecter la machine à glaçons. (Voir Section 4)   |
|   | La machine à glaçons n'est pas nivelée.  | Niveler la machine à glaçons. (Voir Section 2)   |
|   | Température ambiante faible autour de la partie principale de la machine à glaçons.        | La température d'air doit être au moins de 2 °C (35 °F).   |
|   |  |  |
| La machine à glaçons ne cycle pas en mode de récupération.                                      | Le verrouillage de temps de congélation de six minutes n'est pas encore arrivé à échéance. | Attendre que le verrouillage de congélation arrive à échéance.   |
|   | La sonde d'épaisseur des glaçons est sale.   | Nettoyer et désinfecter la machine à glaçons. (Voir Section 4)   |
|   | La sonde d'épaisseur des glaçons est débranchée.   | Connecter la sonde au tableau de commande.   |
|   | La sonde d'épaisseur des glaçons est déréglée.   | Régler la sonde d'épaisseur de glaçons. (Voir Section 3)   |
|   | Remplissage de glaçon irrégulier (mince sur le dessus de l'évaporateur).                   | Vérifier la présence d'un niveau d'eau suffisant dans le bac du puisard. Contacter une entreprise de maintenance qualifiée pour inspecter le système de réfrigération. |
| La qualité des glaçons est médiocre (mous ou opaques).  | Qualité médiocre de l'eau entrante.  | Contactez une entreprise de maintenance qualifiée pour tester la qualité de l'eau entrante et faire les recommandations de filtre appropriées.                         |
|   | La filtration de l'eau est médiocre.   | Changer le filtre.   |
|   | La machine à glaçons est sale.   | Nettoyer et désinfecter la machine à glaçons. (Voir Section 4)   |
|   | Le robinet de vidange d'eau ne fonctionne pas.   | Démonter et nettoyer le robinet de vidange d'eau. (Voir Section 4)   |
|   | L'adoucisseur d'eau ne fonctionne pas correctement (le cas échéant).                       | Réparer l'adoucisseur d'eau.   |

| Problème   | Cause possible   | Mesure corrective   |
|--|--|---|
| La machine à glaçons produit des glaçons creux et incomplets, ou le motif de remplissage de glaçons sur l'évaporateur est incomplet. | La sonde d'épaisseur des glaçons est dérégulée.                    | Régler la sonde d'épaisseur de glaçons. (Voir Section 4)  |
|  | Le niveau du bac à eau est trop bas.                               | Vérifier la sonde du niveau d'eau pour tout dommage éventuel. (Voir Section 3)  |
|  | La crépine du robinet d'arrivée d'eau est sale.                    | Retirer le robinet d'arrivée d'eau et nettoyer la crépine. (Voir Section 4)   |
|  | La filtration de l'eau est médiocre.                               | Changer le filtre.  |
|  | Eau d'arrivée chaude.  | Raccorder la machine à glaçons à une alimentation en eau froide. (Voir Section 2)   |
|  | Le robinet d'arrivée d'eau ne fonctionne pas.                      | Remplacer le robinet d'arrivée d'eau.   |
|  | Pression d'eau entrante incorrecte.                                | La pression d'eau doit être de 20-80 psi (140 kPa - 550 kPa).   |
|  | La machine à glaçons n'est pas nivelée.                            | Niveler la machine à glaçons. (Voir Section 2)  |
| Faible capacité de glaçons.  | La crépine du robinet d'arrivée d'eau est sale.                    | Retirer le robinet d'arrivée d'eau et nettoyer la crépine.  |
|  | L'alimentation d'eau entrante est fermée.                          | Ouvrir le robinet de service d'eau.   |
|  | Le robinet d'arrivée d'eau est coincé ouvert ou fuit.              | Appuyer sur l'interrupteur d'alimentation et éteindre la machine à glaçons, si l'eau continue à entrer dans le bac à eau, remplacer le robinet d'arrivée d'eau. |
|  | Le condenseur est sale.  | Nettoyer le condenseur. (Voir Section 4)  |
|  | Une température d'air élevée entre dans le condenseur.             | La température d'air ne doit pas être supérieure à 39 °C (120°F)  |
|  | Le compresseur d'air auxiliaire de récupération ne fonctionne pas. | Contactez le service technique.   |

## Fonction de limite de sécurité

En plus des contrôles de sécurité standard, tels que la coupure haute pression, la machine à glaçons Manitowoc comporte des limites de sécurité intégrées qui arrêteront la machine à glaçons dans l'éventualité de conditions susceptibles de provoquer une défaillance de composants principaux.

Avant de contacter le service technique, redémarrer la machine à glaçons en respectant la procédure suivante :

1. Appuyer sur le bouton d'alimentation, l'écran indique « Arrêt ». Appuyer sur le bouton d'alimentation de nouveau et l'écran indique « Fab. glace ».
  - A. Si la limite de sécurité a arrêté la machine à glaçons, celle-ci se remettra en marche après un court délai. Passer à l'étape 2.
  - B. Si la machine à glaçons ne se remet pas en marche, voir la section « La machine à glaçons ne fonctionne pas » à la page précédente.
2. Laisser fonctionner la machine à glaçons pour voir si la condition se répète.
  - A. Si la machine à glaçons s'arrête à nouveau, c'est que la condition s'est répétée. Contacter le service technique.
  - B. Si la machine à glaçons continue de fonctionner c'est que la condition s'est rectifiée d'elle-même. Laisser la machine à glaçons continuer à fonctionner.



## Garantie commerciale de la machine à glaçons

Manitowoc Ice, Inc. (ci-après appelée la « SOCIÉTÉ ») garantit, pendant une période de trente-six mois à compter de la date d'installation (exception faite de la limitation ci-dessous), que les nouvelles machines à glaçons fabriquées par la SOCIÉTÉ sont exemptes de tout défaut de matériaux ou de fabrication à condition d'une utilisation et d'entretien normaux et appropriés tels que spécifiés par la SOCIÉTÉ, et avec une installation et une mise en service appropriées conformes au manuel d'instructions fourni avec la machine à glaçons. La garantie de la SOCIÉTÉ ci-après relative au compresseur s'applique pendant vingt-quatre mois supplémentaires, à l'exclusion des frais de main d'œuvre, et relative à l'évaporateur pendant vingt-quatre mois supplémentaires, y compris les frais de main d'œuvre.

L'obligation de la SOCIÉTÉ en vertu de la présente garantie est limitée à la réparation ou au remplacement des pièces, des composants ou des ensembles qui, selon la SOCIÉTÉ, sont défectueux. La présente garantie est également limitée au coût des pièces, composants ou ensembles, et aux frais de main d'œuvre au salaire de base sur le lieu du service technique.

Les tarifs de taux de base et horaires, tels que publiés de temps à autre par la SOCIÉTÉ, s'appliquent à toutes les procédures de service. Les frais supplémentaires, y compris mais sans s'y limiter, le temps de déplacement, la majoration pour travail supplémentaire, le coût des matériaux, l'accès à la machine à glaçons ou son retrait, ou encore l'expédition, sont à la charge du propriétaire, tout comme le sont l'entretien, les réglages, le nettoyage et les achats de glaçons. Le travail couvert par la présente garantie doit être effectué par un représentant du service technique sous contrat de la SOCIÉTÉ ou par un organisme de service de réfrigération tel que qualifié et homologué par le distributeur local de la SOCIÉTÉ. La responsabilité de la SOCIÉTÉ en vertu de la présente garantie ne sera en aucun cas supérieure au prix d'achat réel payé par le client pour la machine à glaçons.

La garantie précédente ne s'appliquera pas à (1) toute pièce ou tout ensemble qui auront été altérés, modifiés ou changés ; (2) toute pièce ou tout ensemble qui auront été soumis à une mauvaise utilisation, un abus, une négligence ou des accidents ; (3) toute machine à glaçons qui aura été installée et/ou entretenue à l'encontre des instructions techniques fournies par la SOCIÉTÉ ; ou (4) toute machine à glaçons qui aura été initialement installée plus de cinq ans à compter de la date de production du numéro de série. La présente garantie ne s'applique pas si le système de réfrigération de la machine à glaçons est modifié par un condenseur, un récupérateur de chaleur ou d'autres pièces ou ensembles non fabriqués par la SOCIÉTÉ, sauf en cas de l'approbation écrite par la SOCIÉTÉ de ces modifications pour des emplacements spécifiques.

**LA PRÉSENTE GARANTIE REMPLACE TOUTES LES AUTRES GARANTIES DE TOUTE SORTE, EXPRESSES OU TACITES, Y COMPRIS TOUTE GARANTIE IMPLICITE DE QUALITÉ MARCHANDE OU D'ADAPTATION À UN USAGE PARTICULIER.** En aucun cas, la SOCIÉTÉ ne peut être tenue responsable des dommages spéciaux, indirects, accessoires ou consécutifs. Lors de l'échéance de la période de garantie, la responsabilité de la SOCIÉTÉ en vertu de la présente garantie viendra à échéance. La garantie précédente constitue la seule responsabilité de la SOCIÉTÉ et le recours exclusif du client ou de l'utilisateur.

Pour assurer un service de garantie prompt et permanent, la carte de garantie doit être remplie et envoyée à la SOCIÉTÉ dans les cinq (5) jours suivant la date d'installation.

Remplir ce qui suit et conserver cette information :

Distributeur/Revendeur \_\_\_\_\_

Référence de modèle \_\_\_\_\_ Numéro de série \_\_\_\_\_

Date d'installation \_\_\_\_\_

### MANITOWOC ICE

2110 So. 26th St., P.O. Box 1720, Manitowoc, WI 54221-1720 USA

Téléphone : 920-682-0161 • Fax : 920-683-7585

Site Web - [www.manitowocice.com](http://www.manitowocice.com)

## Garantie limitée résidentielle de la machine à glaçons

### CE QUE COUVRE LA PRÉSENTE GARANTIE LIMITÉE

Sous réserve des exclusions et limitations ci-dessous, Manitowoc Foodservice (« Manitowoc ») garantit au client d'origine toute nouvelle machine à glaçons fabriquée par Manitowoc (le « Produit ») contre tout défaut de matériau ou vice de fabrication pendant la période de garantie décrite ci-dessous dans des conditions normales d'utilisation et d'entretien, et suite à une installation et une mise en service correctes conformément au manuel d'instructions fourni avec le Produit.

### PÉRIODE DE CETTE GARANTIE LIMITÉE

| Produit couvert   | Période de garantie                              |
|-------------------|--|
| Machine à glaçons | Douze (12) mois<br>à compter de la date de vente |

### PERSONNES COUVERTES PAR CETTE GARANTIE LIMITÉE

La présente garantie limitée s'applique uniquement au client d'origine du Produit et n'est pas transférable.

### OBLIGATIONS DE MANITOWOC ICE DANS LE CADRE DE CETTE GARANTIE LIMITÉE

En cas de défaut et de réception par Manitowoc d'une déclaration de dommage valide avant l'expiration de la période de garantie, Manitowoc doit, sur sa décision : (1) réparer le Produit à ses frais, y compris les frais de main d'œuvre standard en heures normales, (2) remplacer le Produit par un nouveau produit ou un produit équivalent à l'original ou (3) rembourser le prix d'achat du Produit. Les pièces de rechange sont garanties pendant 90 jours ou pour le reste de la période de garantie d'origine, si elle est plus longue. Les éléments précédents constituent l'unique obligation de Manitowoc et le recours exclusif du client en cas de rupture de la présente garantie limitée. La responsabilité de Manitowoc dans le cadre de la présente garantie limitée se limite au prix d'achat du Produit. Toutes dépenses supplémentaires, y compris mais sans s'y limiter, le temps de déplacement pour service, les frais de main d'œuvre d'heures supplémentaires ou de majoration, l'accessibilité au Produit ou son retrait, ou l'expédition sont à la charge du client.

### OBTENTION DE SERVICE DE GARANTIE

Pour obtenir un service de garantie ou toute information concernant le Produit, veuillez nous contacter :

MANITOWOC ICE

2110 So. 26th St.

P.O. Box 1720,

Manitowoc, WI 54221-1720 USA

Téléphone : 920-682-0161 Fax : 920-683-7585

www.manitowocice.com

### CE QUI N'EST PAS COUVERT

La présente garantie limitée ne couvre pas, et laisse à votre seule responsabilité, les frais de ce qui suit : (1) maintenance périodique ou de routine, (2) réparation ou remplacement du Produit ou des pièces suite à une usure normale, (3) défauts ou dommages du Produit ou des pièces du fait d'une mauvaise utilisation, d'une utilisation abusive, de négligences ou d'accidents, (4) défauts ou dommages du Produit ou des pièces du fait d'altérations, de modifications ou de changements incorrects ou non autorisés et (5) défauts ou dommages d'un Produit non installé et/ou maintenu conformément au manuel d'instructions ou aux spécifications techniques fournis par Manitowoc. Dans la mesure où ces exclusions de garantie dépendent des lois nationales, il est possible qu'elles ne vous concernent pas.

SAUF TEL QU'INDIQUÉ PAR LA PHRASE SUIVANTE, LA PRÉSENTE GARANTIE LIMITÉE REPRÉSENTE LA SEULE ET UNIQUE GARANTIE DE MANITOWOC CONCERNANT LE PRODUIT. TOUTES LES GARANTIES TACITES SONT STRICTEMENT LIMITÉES À LA DURÉE DE LA GARANTIE LIMITÉE S'APPLIQUANT AUX PRODUITS, COMME INDIQUÉ PRÉCÉDEMMENT, Y COMPRIS, SANS TOUTEFOIS S'Y LIMITER, TOUTE GARANTIE DE QUALITÉ MARCHANDE OU D'ADAPTATION À UN USAGE PARTICULIER. Certains pays ne permettant pas de limitations sur la durée d'une garantie tacite, il est possible que la limitation ci-dessus ne vous concerne pas.

EN AUCUN CAS, MANITOWOC OU UNE DE SES FILIALES, NE PEUT ÊTRE TENUE POUR RESPONSABLE DU CLIENT OU DE TOUTE AUTRE PERSONNE EN CAS DE DOMMAGES ACCESSOIRES, CONSÉCUTIFS OU PARTICULIERS DE TOUTE NATURE (Y COMPRIS, MAIS SANS TOUTEFOIS S'Y LIMITER, UNE PERTE DE PROFITS, DE REVENUS OU COMMERCIALE) DÉCOULANT, OU LIÉS DE QUELQUE MANIÈRE QUE CE SOIT, AU PRODUIT, À UNE RUPTURE DE LA PRÉSENTE GARANTIE LIMITÉE, OU À TOUTE AUTRE CAUSE, QUELLE QU'ELLE SOIT, BASÉE SUR LE CONTRAT, SUR LA RESPONSABILITÉ CIVILE OU TOUTE AUTRE RESPONSABILITÉ. Certaines juridictions ne permettant pas l'exclusion ou la limitation de dommages accessoires ou consécutifs, il est possible que cette limitation ou exclusion ci-dessus ne vous concerne pas.

### APPLICATION DES LOIS NATIONALES

La présente garantie limitée vous offre des droits légaux spécifiques et il se peut que vous ayez d'autres droits qui varient d'une juridiction à une autre.

### CARTE DE GARANTIE

Pour assurer un service de garantie prompt et permanent, cette carte de garantie doit être remplie et envoyée à Manitowoc dans les trente (30) jours suivant la date de vente. Remplir la carte de garantie suivante et l'envoyer à Manitowoc.



**EC DECLARATION OF CONFORMITY**

We hereby declare that our products, ice machines and Multiplex refrigeration equipment comply with all the essential requirements of the listed EC - directives.

**Manufacturer:**

*Manitowoc Ice, Inc.  
2110 S. 26th Street, P.O. Box 1720  
Manitowoc, Wisconsin 54221-1720 USA*

**European Distributor:**

\_\_\_\_\_  
\_\_\_\_\_  
\_\_\_\_\_

**Representative of Manitowoc Ice, Inc.:**

Engineering Manager, (Printed name)

**Representative of European Distributor:**

\_\_\_\_\_

Signature

**Model and Serial No.**

**Applied EC Directives:**

**Applied Standards:**

EN60335-1 Safety of household and similar electrical appliances  
EN60335-2-24 Particular requirements refrigerators, food freezers and ice makers

EN55014 Electrical Motor Operated Appliances (Emissions)  
EN55014 Electro Magnetic Compatibility (Immunity)  
EN378 -1 to -4 Refrigeration Plants

Low Voltage 73/23/EEC  
EMC 89/336/EEC  
Pressure Equipment 97/23/EC



8201043  
08/25/03



© 2012 Manitowoc

Continuing product improvements may necessitate change of specifications without notice.

Part Number 00007345 2/14



Manitowoc Ice  
2110 South 26th Street, P.O. Box 1720  
Manitowoc, WI 54221-1720, USA  
Ph: 001-920-682-0161 Fax: 001-920-683-7589  
Visit us online at: [www.manitowocice.com](http://www.manitowocice.com)