

INTRODUCTION

This service manual is intended as a reference for the installer, user, and service agent of this Scotsman ice dispenser. It includes the necessary information to install, start up, operate, clean and maintain this unit.

Table of Contents

INTRODUCTION	Page 1
SPECIFICATIONS	Page 2
FOR THE INSTALLER	Page 3
INSTALLATION	Page 4
WATER GLASS FILLER KIT	Page 5
WATER GLASS KIT - CONTINUED	Page 6
ICE DIVERTER KIT	Page 7
INITIAL START UP	Page 8
GATE RESTRICTOR PLATE	Page 9
CLEANING AND SANITIZING	Page 10
CLEANING AND SANITIZING	Page 11
TROUBLESHOOTING	Page 12

This manual contains important information, read it before beginning installation or operation. Keep it for future reference.

ID150, ID200, ID250

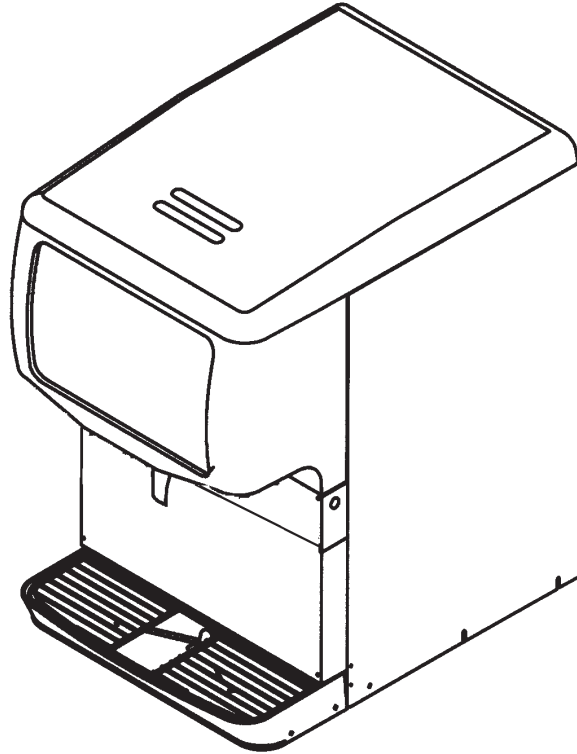
SPECIFICATIONS

The ID ice dispenser is a machine that stores manually filled ice in an insulated, sanitary container; upon demand it dispenses that ice into a cup or glass.

NOTE: This ice stand is designed to dispense cubed ice only. **Flaked ice will not work.**

Scotsman reserves the right to make design changes and/or improvements at any time.

Specifications and designs are subject to change without notice.



Model	Dimensions w" x d" x h"	Basic Electrical	Hopper Capacity	Amps	Cup Clearance	Dispense Actuation Method
ID150B-1A	22 x 30 x 35 5/8	115/60/1	150 lb	3.0	10"	Lever
ID200B-1A	30 x 30 x 35 5/8	115/60/1	200 lb	3.5	10"	Lever
ID250B-1A	30 x 30 x 39 5/8	115/60/1	250 lb	3.5	10"	Lever

Note: Dispenser height includes cover (1 5/8").

Options: Water glass filler kit (**KWGFID**). Diverter kit for Scotsman Nugget Ice (**KNUGDIV**)

Adapters: Adapters are required for placing an ice machine onto the top of this dispenser. See sales literature for adapter information.

FOR THE INSTALLER

This ice dispenser has been specifically designed to provide protection against personal injury and eliminates contamination of ice. To ensure continued protection and sanitation, observe the following:

- **ALWAYS:** disconnect power to the dispenser before servicing or cleaning.
- **NEVER:** place hands inside of hopper or gate area without disconnecting power to the dispenser.
- Agitator rotation occurs automatically when dispenser is energized!
- **ALWAYS:** be sure the removable lid is properly installed to prevent unauthorized access to the hopper interior and possible contamination of the ice.
- **ALWAYS:** be sure the upper and lower front panels are securely fastened.
- **ALWAYS:** keep area around the dispenser clean of ice cubes.
- **CAUTION:** Dispenser cannot be used with crushed or flaked ice.

Use of bagged ice, which has frozen into large chunks, can void warranty.

The dispenser agitator is not designed to be an ice crusher. Use of large chunks of ice which “jam up” inside the hopper will cause failure of the agitator motor and damage to the hopper. If bagged ice is used, it must be carefully and completely broken into small, cube-sized pieces before filling into the dispenser hopper.

DESCRIPTION

Designed to be manually filled with ice from any remote ice-making source, these dispensers will dispense cubes (up to 1-1/4” in size), cubelets and hard-chipped or cracked ice.

IMPORTANT: For dispensing compressed or extruded style ice, an Ice Diverter Kit must be installed on the dispensers (see ICE DIVERTER KIT (KNUGDIV) in INSTALLATION INSTRUCTIONS section of this manual. The Ice Diverter Kit is part of the KBT46 adapter.

ID150, ID200, ID250

INSTALLATION

1. Locate the ice dispenser on the counter. Allow vertical clearance above unit for the removal of the cover, and for pouring ice into the hopper.

2. Plan the unit drain. A 1" I.D. drain tube is required for draining. Routing is either thru the back or base. Sufficient fittings are included with the unit to install in most cases.

3. In order to comply with National Sanitation Foundation (NSF) requirements, this unit must be either elevated above the counter top sufficiently to provide space for cleaning under the unit **or** sealed to the counter top.

Elevating the unit may be accomplished by using the legs. They will screw into threaded holes in the base of the unit.

Note: Before installing legs the plastic plugs must be removed.

IMPORTANT:

It is the responsibility of the Installer to ensure that the water supply to the dispensing equipment is

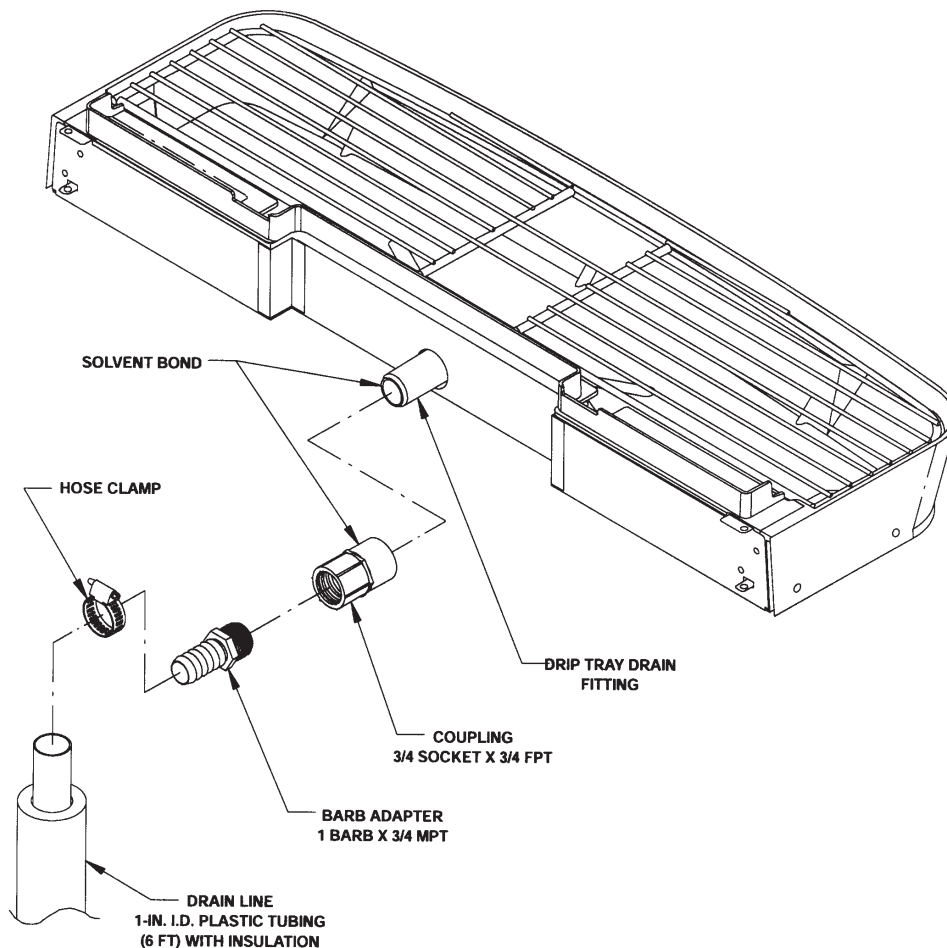
provided with protection against backflow by an air gap as defined in ANSI/ASME A112.1.2-1979; or an approved vacuum breaker or other such method as proved effective by test.

Water pipe connections and fixtures directly connected to a potable water supply shall be sized, installed, and maintained according to Federal, State, and Local Codes.

Drip Tray Assembly

DRIP TRAY DRAIN ASSEMBLY (see illustration below): Route the drain tube to an open drain with the end of the tube above the "flood" level of the drain. Use the tubing, fittings, clamps, and insulation provided with the Dispenser to assemble the drain. The completed drain line *must* pitch continuously downward and contain no "traps" or improper drainage will result.

NOTE: This equipment must be installed with adequate backflow protection to comply with federal, state, and local codes.



WATER GLASS FILLER KIT

Installation Instructions

WARNING: Disconnect power to unit before proceeding with installation

1. Prepare unit as follows:

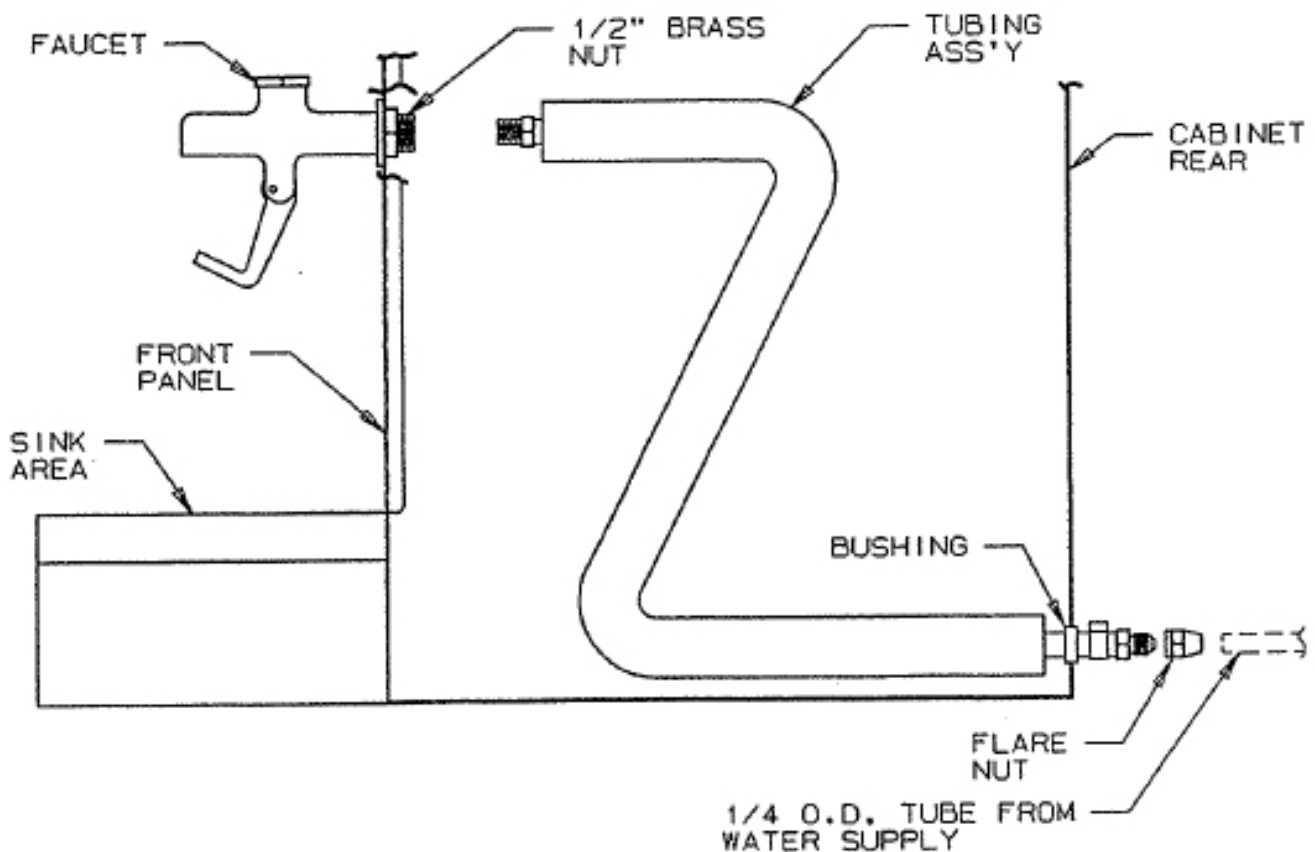
- Remove lower front panel.
- Locate new holes in front panel.

2. Install faucet and tubing assembly as shown below.

3. Connect field water supply to $\frac{1}{4}$ male flare fitting on tubing assembly. Apply water pressure and check all connections for leaks. Check faucet for proper operation. Check that tubing assembly does not interfere with wiring or electrical components.

4. Carefully reinstall panels on unit.

FIG. 1 - INSTALLATION



ID150, ID200, ID250

WATER GLASS KIT - CONTINUED

ID150

A	4"
B	2.5"

ID200, ID250

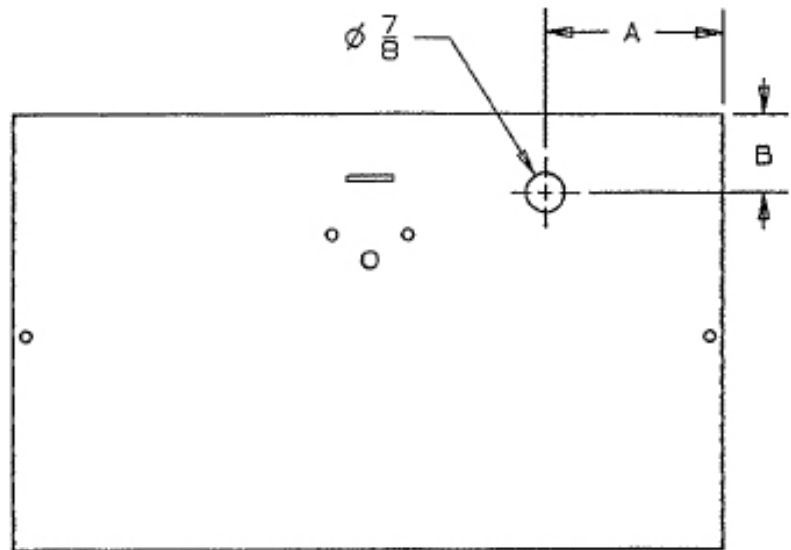
A	6 1/8"
B	3 1/8"

Water inlet can be routed either from the back or from underneath the dispenser.

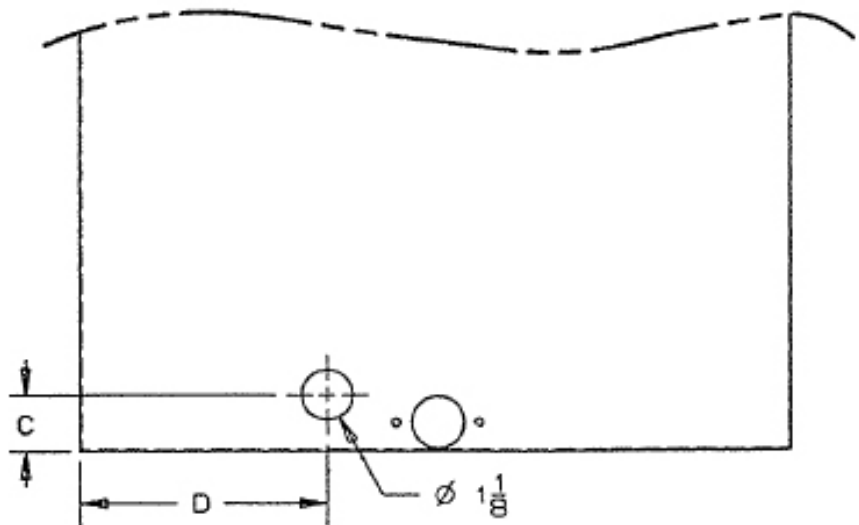
If from the back, remove the back and bottom access panels.

If from below, only remove the bottom access panel.

A hole is not needed at the intersection of C and D, unless the back access panel is retained.



LOWER FRONT PANEL
FRONT VIEW



CABINET
PARTIAL REAR VIEW

ICE DIVERTER KIT

NOTE: For dispensing Scotsman Nugget Ice:

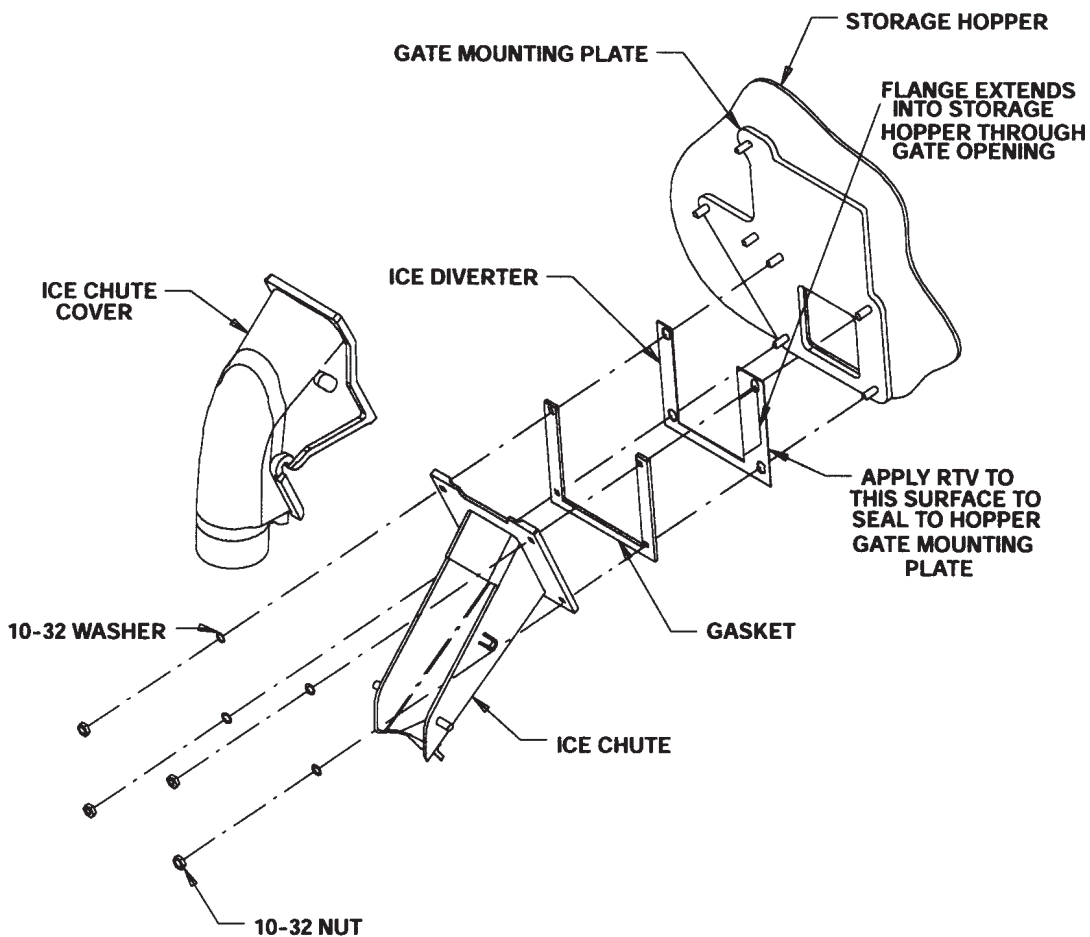
1. Disconnect power to dispenser.
2. Remove Merchandiser from dispenser.
3. Remove ice chute and discard gate restrictor.
4. Install ice diverter on gate mounting plate as shown below.
5. Apply RTV to back surface of ice diverter, to seal to gate mounting plate.
6. Reinstall gasket and ice chute.
7. Reinstall merchandiser and energize unit.

Note: The agitation timer must be adjusted to the **MINIMUM** position when dispensing nugget ice.

The timer is located in the electrical box. There are two items to adjust. One is the Motor On Time. Set that to the minimum of one half second. The other is the Off Time. Set that to the Maximum of 3 hours.

Check the label in the electrical box to confirm these procedures:

- Rotate the Motor On Time adjustment fully CCW to get the half second setting.
- Rotate the Off Time adjustment fully CW to get the 3 hour setting.



ID150, ID200, ID250

INITIAL START UP

1. Sanitize the ice storage system as instructed on page 11.
2. Fill hopper with sanitary ice.
3. Plug the unit's power cord into an electrical outlet and the lighted sign should come on.
Dispense several containers of ice.

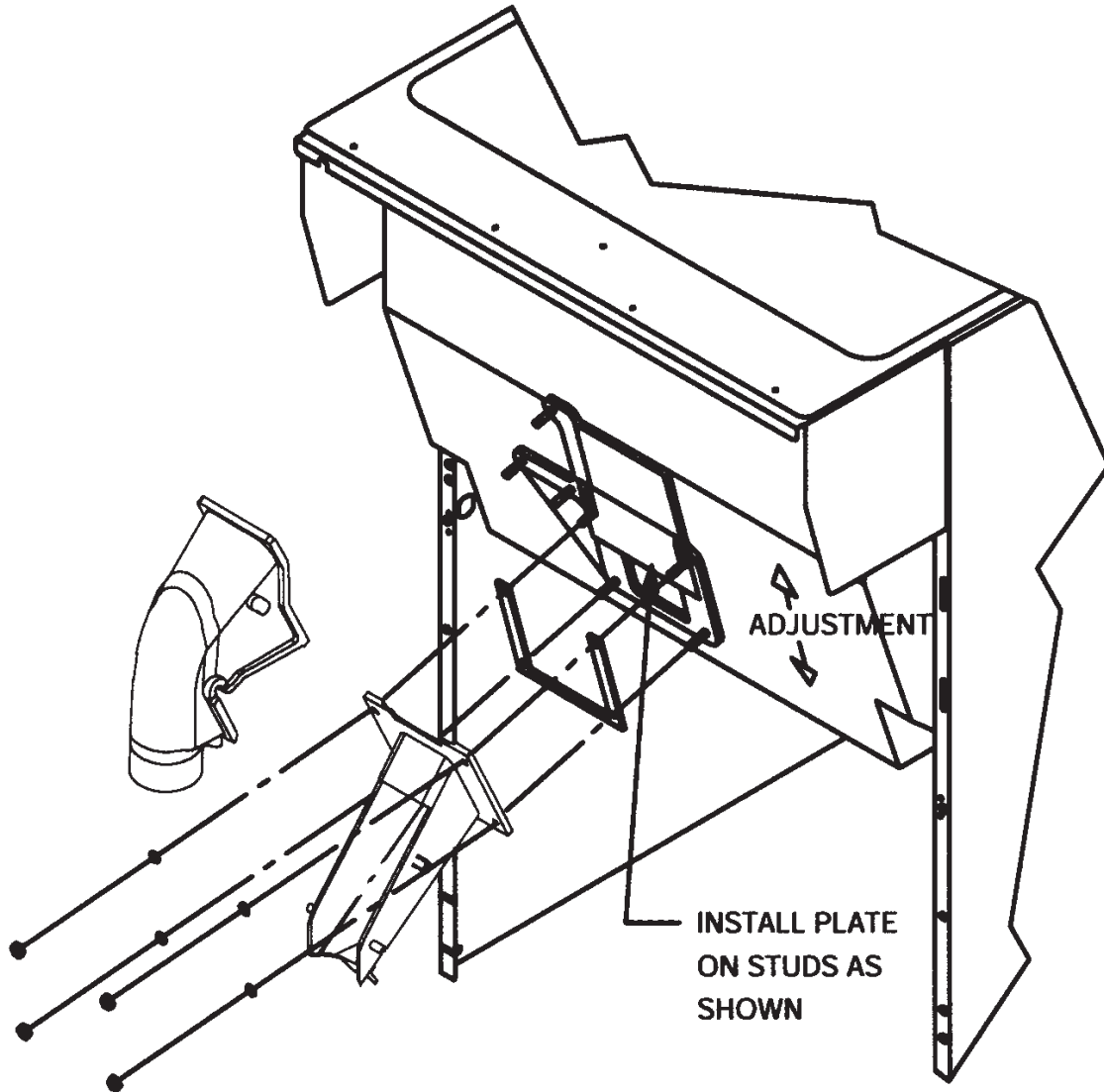
In normal operation, pushing the ice dispenser mechanism will cause ice to flow from the ice chute. Ice flow will continue until the dispenser mechanism is released.

CAUTION: Use caution to avoid spilling ice when filling dispenser. Clean up immediately any spilled ice from filling or operating the unit. To prevent contamination of ice, the lid must be installed on the unit at all times.

If the dispenser fails to dispense ice or beverage see troubleshooting guide.

GATE RESTRICTOR PLATE

CAUTION: Disconnect power to dispenser before installing, removing or adjusting restrictor.



ADJUSTMENT

This plate may be adjusted as shown to reduce or increase the dispensing rate of ice, especially desirable when using glasses or other containers with small openings. Adjustment can be made by sliding up or down with nuts loosened, to obtain the desired amount of restriction.

ID150, ID200, ID250

CLEANING AND SANITIZING

The sink, grill and splash panel area should be cleaned daily.

The following dispenser maintenance should be performed at the intervals indicated:

DAILY (or as required)

Remove foreign material from vending area drip tray to prevent drain blockage.

WEEKLY (or as required)

Clean vending area. Check for proper water drainage from the vending area drip tray.

MONTHLY

Clean and sanitize the hopper interior (see CLEANING INSTRUCTIONS).

CLEANING PRECAUTIONSS

WARNING: Disconnect Power Before Cleaning! Do not use metal scrapers, sharp objects or abrasives on the ice storage hopper, top cover and the agitator disk, as damage may result.

Do not use solvents or other cleaning agents, as they may attack the plastic material.

Soap solution - Use a mixture of mild detergent and warm (100 degrees F) potable water.

CLEANING AND SANITIZING

MONTHLY & INITIAL START UP:

Sanitize the Ice Storage System.

Note: this should only be done by qualified personnel.

CLEANING PRECAUTIONS

WARNING: Disconnect Power Before Cleaning! Do not use metal scrapers, sharp objects or abrasives on the ice storage hopper, top cover and the agitator disk, as damage may result.

Do not use solvents or other cleaning agents, as they may attack the plastic material.

Soap solution - Use a mixture of mild detergent and warm (100 degrees F) potable water.

1. Unplug the electrical cord from the electrical power.
2. Remove cover and discard all remaining ice.
3. Mix a solution of 1 ounce of household bleach to 2 gallons of potable water, or: mix a solution of any locally approved sanitizer, following the directions for mixing and applying that sanitizer.

CAUTION: When pouring liquid into the hopper, do not exceed the rate of 1/2 gallon per minute.

Important: Perform the following at least once a month.

4. Remove agitator assembly.
5. Using a long handle nylon bristle brush, clean the interior of the hopper, and top cover with soap solution. Clean the agitator assembly with soap solution using a nylon brush or a sponge. Thoroughly rinse the hopper, top cover and agitator with clean potable water.
6. Remove merchandiser and ice chute cover from dispenser.
7. With a nylon bristle brush or sponge, clean the inside of the ice chute, gasket and cover with soap solution and rinse thoroughly to remove all traces of detergent.
8. Re-assemble Agitator assembly. Take special care to ensure that the thumbscrew is tight.
9. Using a mechanical spray bottle filled with sanitizing solution, spray the entire interior and agitator assembly. Allow to air dry.
10. Re-assemble ice chute assembly.

11. Using a mechanical spray bottle filled with sanitizing solution, spray the inside of the ice chute. Allow to air dry.

12. Reinstall merchandiser.

13. Wipe the top edge of the ice hopper with the sanitizing solution, allow to air dry.

14. Pour in fresh, sanitary ice and replace the cover. Plug the unit in, and it is now ready to dispense ice.

ID150, ID200, ID250

TROUBLESHOOTING

IMPORTANT: Only qualified personnel should service internal components or electrical wiring.

Should your unit fail to operate properly, check that there is power to the unit and that the hopper contains ice. If the unit does not dispense, check the following chart under the appropriate symptoms to aid in locating the defect.

Trouble

Probable Cause

BLOWN FUSE OR CIRCUIT BREAKER.

- A. Short circuit in wiring.
- B. Defective gate solenoid.
- C. Defective agitator motor.

GATE DOES NOT OPEN. AGITATOR DOES NOT TURN.

- A. No power.
- B. Bent depressor plate (does not actuate switch).
- C. Defective dispensing switch.

GATE DOES NOT OPEN OR IS SLUGGISH. AGITATOR TURNS.

- A. Defective gate solenoid.
- B. Excessive pressure against gate slide.
- C. Defective rectifier.

ICE DISPENSES CONTINUOUSLY.

- A. Stuck or bent depressor plate (does not release switch).
- B. Defective dispensing switch.
- C. Improper switch installation.

SLUSHY ICE. WATER IN HOPPER.

- A. Blocked drain.
- B. Unit not level.
- C. Poor ice quality due to water quality or icemaker problems.
- D. Improper use of flaked ice.