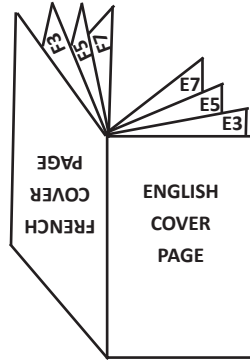
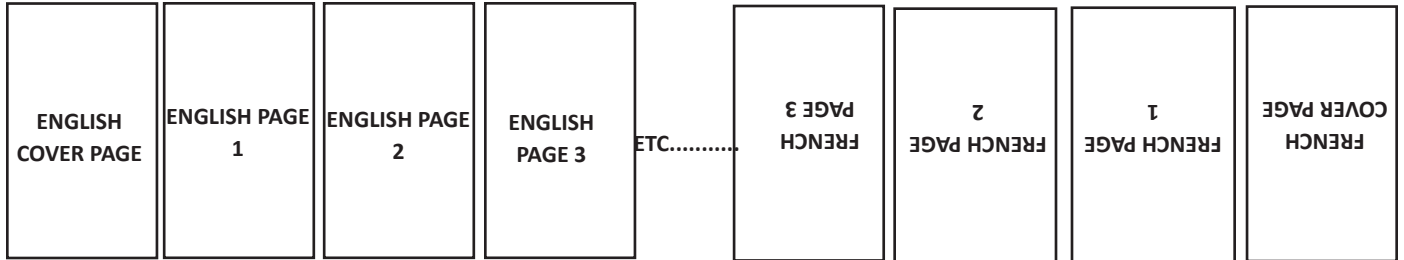


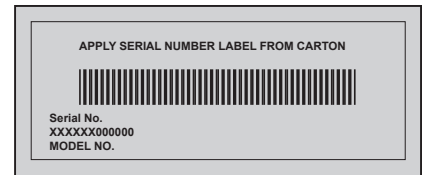
DO NOT PRINT THIS PAGE

PRINTING INSTRUCTIONS ONLY

PRINT INSTRUCTIONS: PRINT FLIP INSTRUCTION MANUAL ENGLISH ONE SIDE - FRENCH THE OTHER SIDE AS PER ILLUSTRATION BELOW.



This gas grill must be used only outdoors in a well-ventilated space and must not be used inside a building, garage, screened-in porch, gazebo or any other enclosed area.



LD485RSIB



DO NOT RETURN TO PLACE OF PURCHASE. PLEASE CONTACT 1-866-820-8686 FOR ASSISTANCE. WE CAN HELP WITH DAMAGED OR MISSING PARTS, ASSEMBLY AND OPERATION QUESTIONS.



DANGER

IF YOU SMELL GAS:

- Shut off gas to the appliance.
- Extinguish any open flame.
- Open lid.
- If odor continues, keep away from the appliance and immediately call your gas supplier or fire department.



WARNING

Do not try to light this appliance without reading the "LIGHTING" instructions section of this manual.

Do not store or use gasoline or other flammable liquids or vapors in the vicinity of this or any other appliance. An L.P. cylinder not connected for use must not be stored in the vicinity of this or any other appliance. If the information in these instructions is not followed exactly, a fire or explosion may result, causing property damage, personal injury or death.

Notice to Installer: Leave these instructions with the grill owner for future reference.



Napoleon Appliance Corp.,
214 Bayview Dr, Barrie, Ontario, Canada L4N 4Y8 Phone: 1-866-820-8686
Fax: (705)725-2564 email: wecare@napoleonproducts.com web site: www.napoleongrills.com

THANK YOU FOR CHOOSING NAPOLEON

NAPOLEON products are designed with superior components and materials, and are assembled by trained craftsmen who take great pride in their work. The burner and valve assembly are leak tested and test-fired at a quality test station. This grill has been thoroughly inspected by a qualified technician before packaging and shipping to ensure that you, the customer, receive the quality product you expect from NAPOLEON.

We at Napoleon are dedicated to you, "our valued customer." It is our goal to provide you with the necessary tools for an unforgettable grilling experience. This manual is provided to assist you in assuring your new grill is assembled, installed, maintained and cared for properly. It is important to read and understand this entire manual before operating your new grill to ensure you fully understand all the safety precautions and features your grill has to offer. By carefully following these instructions, you will enjoy years of trouble-free grilling. If this product fails to meet your expectations, for any reason, please call our customer care department at 1-866-820-8686 between 9 AM and 5 PM (Eastern Standard Time) or visit our Website at www.napoleongrills.com.

Napoleon Gas Grill President's Limited Warranty

NAPOLEON warrants the following materials and workmanship in your new NAPOLEON gas grill against defects for twenty five years. This covers aluminum castings (excluding paint), LUXIDIO® trays, stainless steel side shelves, stainless steel control panel (excluding screen printing), stainless steel burners, stainless steel or porcelain lid inserts, and lid handles, subject to the following conditions: During the first five years NAPOLEON will provide replacement parts at our option free of charge. From the sixth year to 25years, NAPOLEON will provide replacement parts at 50% of the current retail price.

Components such as stainless steel sear plates, stainless steel or cast iron cooking grids, valves with ignition system, temperature gauges, knobs, and ceramic infrared burners (excluding screens) are covered and Napoleon will provide parts free of charge during the first two years of the limited warranty.

All other components including regulators, casters, warming racks, hoses and connectors, I-GLOW™, fasteners and accessories are covered and NAPOLEON will provide parts free of charge during the first year of the limited warranty.

NAPOLEON shall not be liable for any transportation charges, labor costs or export duties.

Conditions And Limitations

"NAPOLEON warrants its products against manufacturing defects to the original purchaser only, provided that the purchase was made through an authorized NAPOLEON dealer and is subject to the following conditions and limitations:"

This factory warranty is non-transferable and may not be extended what-so-ever by any of our representatives.

The gas grill must be installed by a licensed, authorized service technician or contractor. Installation must be done in accordance with the installation instructions included with the product and all local and national building and fire codes.

This limited warranty does not cover damages caused by misuse, lack of maintenance, grease fires, hostile environments, accident, alterations, abuse or neglect and parts installed from other manufacturers will nullify this warranty.

This limited warranty further does not cover any scratches, dents, painted finishes, corrosion or discoloring by heat, abrasive and chemical cleaners, nor chipping on porcelain enamel parts, nor any components used in the installation of the gas grill.

Should deterioration of parts occur to the degree of non-performance within the duration of the warranted coverage, a replacement part will be provided.

In the first year only, this warranty extends to the replacement of warranted parts, which are defective in material or workmanship provided that the product has been operated in accordance with the operation instructions and under normal conditions.

After the first year, with respect to this President's Limited Lifetime Warranty NAPOLEON may, at its discretion, fully discharge all obligations with respect to this warranty by refunding to the original warranted purchaser the wholesale price of any warranted but defective part(s).

NAPOLEON will not be responsible for the installation, labor or any other costs or expenses related to the re-installation of a warranted part, and such expenses are not covered by this warranty.

Notwithstanding any provision contained in this President's Limited Lifetime Warranty NAPOLEON's responsibility under this warranty is defined as above and it shall not in any event extend to any incidental, consequential, or indirect damages.

This warranty defines the obligation and liability of NAPOLEON with respect to the NAPOLEON gas grill and any other warranties expressed or implied with respect to this product, its components or accessories are excluded.

NAPOLEON neither assumes, nor authorizes any third party to assume, on its behalf, any other liabilities with respect to the sale of this product.

NAPOLEON will not be responsible for: over firing, blow outs caused by environmental conditions such as strong winds, or inadequate ventilation,

Any damages to the gas grill due to weather damage, hail, rough handling, damaging chemicals or cleaners will not be the responsibility of NAPOLEON.

The bill of sale or copy will be required together with a serial number and a model number when making any warranty claims from NAPOLEON.

NAPOLEON reserves the right to have its representative inspect any product or part prior to honoring any warranty claim.

NAPOLEON shall not be liable for any transportation charges, labor costs, or export duties.



WARNING! Failure to follow these instructions could result in property damage, personal injury or death. Read and follow all warnings and instructions in this manual prior to operating grill.

Safe Operating Practices

- This gas grill must be assembled exactly according to the instructions in the manual. If the grill was store assembled, you must review the assembly instructions to confirm correct assembly and perform the required leak tests before operating the grill.
- Read the entire instruction manual before operating the gas grill.
- Under no circumstance should this gas grill be modified.
- Follow lighting instructions carefully when operating grill.
- Gas must be turned off at the propane cylinder or at the natural gas supply valve when the gas grill is not in use.
- Keep children and pets away from hot grill, DO NOT allow children to climb inside cabinet.
- Do not leave the grill unattended while in use.
- Do not move grill when hot or operating.
- This gas grill must not be installed in or on recreational vehicles and/or boats.
- This gas grill must only be stored outdoors in a well-ventilated area and must not be used inside a building, garage, screened -in porch or any other enclosed area.
- Maintain proper clearance to combustibles (16" (410mm) to rear of unit 7" (178mm) to sides). Additional clearance 24" (610mm) is recommended near vinyl siding or panes of glass.
- At all times keep the ventilation openings of the cylinder enclosure free and clear from debris.
- Do not operate unit under any combustible construction.
- Do not locate in windy settings. High winds adversely affect the cooking performance of the gas grill.
- When the gas grill is stored indoors, the propane cylinder must be disconnected from the grill and stored outdoors in a well-ventilated area, disconnected cylinders must not be stored in a building, garage or other enclosed area. Natural gas units must be disconnected from the supply when being stored indoors.
- Inspect the gas line hose before each use. If there is evidence of excessive abrasion or wear, it must be replaced before using the gas grill, with a replacement hose assembly specified by the grill manufacturer.
- Never store a spare LP gas cylinder under or near this grill.
- Never fill the cylinder beyond 80 % full.
- Do not attempt to use a cylinder, which is not equipped with a QCC1 type connection.
- Leak test all connections before initial use, even if the grill was purchased fully assembled, annually or whenever any gas component has been replaced.
- Never use natural gas in a unit designed for liquid propane gas.
- Never use lighter fluid in a gas grill.
- Use charcoal briquettes only with a Napoleon charcoal tray designed for this unit.
- Burner controls must be off when turning supply cylinder on.
- Do not light burners with lid closed.
- Do not operate rear burner with main burners operating.
- The lid is to be closed during the preheat period.
- Do not route hose underneath drip pan-proper hose clearance to bottom of unit must be maintained.
- Clean grease tray and sear plates regularly to avoid build-up, which may lead to grease fires.
- Remove warming rack before lighting rear burner. The extreme heat will damage the warming rack.
- Ensure sear plates are positioned properly according to sear plate installation instructions.
- Do not use side shelves to store lighters, matches or any other combustibles.
- Keep gas line away from heated surfaces
- Keep any electrical supply cord away from water or heated surfaces.
- Inspect infrared burner venturi tube for spider webs and other obstructions periodically. Clean the tubes completely if you find any such obstructions.
- The outdoor cooking gas grill and its individual shutoff valve must be disconnected from the gas supply piping system during any pressure testing of that system at test pressures in excess of 0.5psi (3.5kPa).
- The outdoor cooking gas grill must be isolated from the gas supply piping system by closing its individual manual shutoff valve during any pressure testing of the gas supply piping system at test pressures equal to or less than 1/2 psi (3.5 kPa).

Cylinder Specification/Gas Hook Up

THIS GAS BARBECUE IS CERTIFIED UNDER CANADIAN AND AMERICAN NATIONAL STANDARDS, CAN/CSA-1.6-2005 AND ANSI Z21.58 -2005 RESPECTIVELY FOR OUTDOOR GAS GRILLS AND SHOULD BE INSTALLED TO CONFORM WITH LOCAL CODES. In absence of local codes, install to the current CAN/CGA-B149.1 Propane Installation Code in Canada or to the National Fuel Gas Code, NFPA54/ANSI Z223.1 in the United States.

If a rotisserie motor is used, it must be electrically grounded in accordance with local codes or, in absence of local codes, with the current CSA C22.1 Canadian electrical code in Canada or the National Electrical Code, ANSI/NFPA 70 in the United States.

California Proposition 65: The burning of gas fuel creates by-products, some of which are on the list as substances known by the State of California to cause cancer or reproductive harm. When cooking with gas, always ensure adequate ventilation to the unit, to minimize exposure to such substances.

Propane Cylinder Specifications



WARNING! If these instructions are not followed exactly, a fire causing death or serious injury may occur.

A dented or rusty cylinder may be hazardous and should be checked by your propane supplier. Never use a cylinder with a damaged valve. Use only a propane supply cylinder constructed and marked in accordance with the specifications for LP-gas cylinders of the National Standard of Canada, CAN/CSA-b339, Cylinders, Spheres and Tubes for Transportation of Dangerous Goods; and Commission, as applicable or the Specifications for LP-Gas Cylinders of the U.S. Department of Transportation (D.O.T.). This appliance has been designed for use with a 20 lb. (9.1 kg) size propane cylinder only (not supplied).

The propane cylinder must be provided with a cylinder connection device compatible with the connection for outdoor cooking appliances. The propane cylinder must be provided with a shut-off valve terminating in a propane cylinder valve type QCC1, and a safety relief device having direct communication with the vapor space of the cylinder. The cylinder supply system must be arranged for vapor withdrawal and the cylinder shall include a collar to protect the cylinder valve. The cylinder shall incorporate a listed OPD (overfill protection device). Do not store a spare LP-gas cylinder under or near this appliance. Never fill the cylinder beyond 80 percent full.

Propane Cylinder Installation

Cylinder Connection: Ensure that the gas regulator hose is kink free. Remove the cap or plug from the cylinder fuel valve. Insert the black QCC1 regulator nipple onto the QCC1 fuel valve. Hand tighten clockwise. Do not use tools. Leak test all joints prior to using the barbecue. A leak test must be performed annually, and each time a cylinder is hooked up, or if a part of the gas system is replaced.

- Check that the cylinder valve is closed by turning the knob clockwise.
- Check that the grill's burner knobs are in the off position.
- Open cabinet doors.
- Place the cylinder into the tank holder in bottom of shelf.
- Position the cylinder so that the valve faces toward the front of the unit.
- Attach regulator hose.



WARNING! Use only the pressure regulator and hose assembly provided with this barbecue. Replacement pressure regulators and hose assemblies must be specified by the manufacturer. Do not store a spare propane cylinder on the shelf beneath the barbecue. The regulator must be attached so that no part of the hose touches the underside of the grill or drippan. A fire will result if these directions are ignored.

The regulator supplies a pressure of 11 inches. water column to the gas grill and has a QCC1 type fitting. Cylinders to be used with this unit must be supplied with a QCC1 cylinder valve. A QCC1 cylinder has a positive seating connection, which will not allow gas flow until a positive seal has been achieved. It is also equipped with an excess flow device. In order to attain full flow to the grill, the valves must be in the off position when the cylinder valve is turned on.

Natural Gas Hook-Up

This natural gas grill is supplied with a 10ft supply hose (complete with a quick disconnect) designed for natural gas and certified for outdoor use. The gas grill is designed to operate at an inlet pressure of 7 inches water column. Piping and valves upstream of the quick disconnect are not supplied. The installation must comply with CAN B149.1 Natural Gas and Propane installation code in Canada, or to the National Fuel Gas Code, ANSI Z223.1 in the United States. The gas supply pipe must be sufficiently sized to supply the BTU/h specified on the rating plate, based on the length of the piping run.

The quick disconnect must not be installed in an upward direction and a readily accessible manual shut-off valve must be installed upstream of, and as close to, the quick disconnect as is feasible. The flared end of the hose must be connected to the fitting on the end of the flex tube as illustrated in the *Natural Gas Hose Attachment* diagram. Tighten using two wrenches. (*Do not use thread sealer/pipe dope.*) These connections must be made by a licensed gas installer. Leak test all joints prior to using the gas grill.



WARNING!

- The installation must be performed by a licensed gas fitter, and all connections must be leak tested before operating the grill.
- Do not route hose underneath drip pan.
- Do not route hose between space in bottom shelf and back panel.
- Do not route hose over top of back panel.
- Ensure all hose connections are tightened using two wrenches. Do not use teflon tape or pipe dope on any hose connection.
- Ensure the hose does not contact any high temperature surfaces, or it may melt and leak causing a fire.
- Do not use enclosure to store excess hose, as there is a greater chance of the hose contacting a hot surface, it may melt and leak causing a fire.
- Leak test all the connections using a soap and water solution, as per the leak testing instructions found in the this manual.

Leak Testing Instructions



WARNING! A leak test must be performed annually and each time a cylinder is hooked up or if a part of the gas system is replaced.



WARNING! Never use an open flame to check for gas leaks. Be certain no sparks or open flames are in the area while you check for leaks. Sparks or open flames will result in a fire or explosion, damage to property, serious bodily injury, or death.



Leak testing: This must be done before initial use, annually, and whenever any gas components are replaced or serviced. Do not smoke while performing this test, and remove all sources of ignition. See Leak Testing Diagram for areas to check. Turn all burner controls to the off position. Turn gas supply valve on.



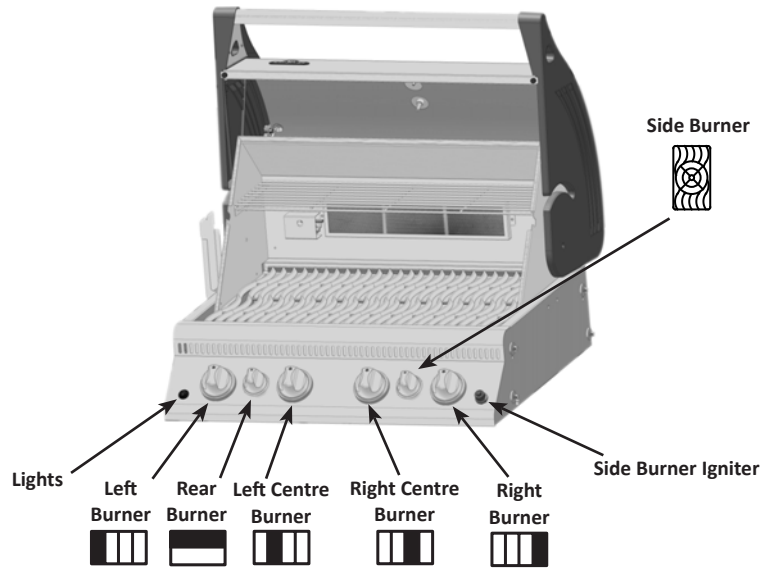
Brush a half-and-half solution of liquid soap and water onto all joints and connections of the regulator, hose, manifolds and valves.

Bubbles will indicate a gas leak. Either tighten the loose joint or have the part replaced with one recommended by the Napoleon Customer Care department and have the grill inspected by a certified gas installer.




If the leak cannot be stopped, immediately shut off the gas supply, disconnect it, and have the grill inspected by a certified gas installer or dealer. Do not use the grill until the leak has been corrected.

Lighting Instructions



WARNING! Open lid.

WARNING! Ensure all burner controls are in the off position. Turn on the gas supply valve.

Off Position 

Main Tube Burner Lighting	Rear Burner Lighting (Rotisserie Burner)	Side Burner Lighting (If equipped)
1. Open grill lid.	1. Open grill lid.	1. Open side burner cover.
2. Push and turn any main burner knob slowly to the 'hi' position. This action will ignite the pilot flame which will in turn light the selected burner. If the pilot lights, continue to push down on the control knob until the burner lights and then release.	2. Remove the warming rack.	2. Push and turn side burner control to high position.
3. If the pilot does not ignite, then immediately turn the control knob back to the 'off' position and repeat step 2 several times.	3. Push and turn the rotisserie burner control knob slowly to the 'hi' position. This action will ignite the pilot flame which will in turn light the burner. If the pilot lights, continue to push down on the burner control knob until the burner lights then release.	3. Press and hold igniter button until burner lights, or light by match.
4. If the pilot and burner will not ignite within 5 seconds, turn the control knob to the 'off' position and wait 5 minutes for any excess gas to dissipate. Either repeat steps 2 and 3 or light with a match.	4. If the burner does not ignite, then immediately turn the control knob back to the 'off' position and repeat step 3 several times.	4. If the burner will not ignite within 5 seconds, turn the control knob to the 'off' position and wait 5 minutes for any excess gas to dissipate. Either repeat steps 2 and 3 or light with a match.
5. If lighting the unit with a match, clip the match into the supplied lighting rod. Hold the lit match down through the grill and sear plate while turning the corresponding burner valve to high.	5. If the burner will not ignite within 5 seconds, turn the control knob to the 'off' position and wait 5 minutes for any excess gas to dissipate. Either repeat steps 3 and 4 or light with a match.	



WARNING! The propane cylinder is equipped with an excess flow device. Unless all burners are turned off prior to turning the cylinder on, only small flames and low heat will be achievable.

WARNING! Do not use the rear burner (rotisserie burner) with the main burners operating.

Operating The Grill

Initial Lighting: When lit for the first time, the gas grill emits a slight odor. This is a normal temporary condition caused by the “burn-in” of internal paints and lubricants used in the manufacturing process and does not occur again. Simply run the main burners on high for approximately one-half hour.

Main Burner Use: When searing foods, we recommend preheating the grill by operating all main burners in the high position with the lid closed for approximately 10 minutes. Food cooked for short periods of time (fish, vegetables) can be grilled with the lid open. Cooking with the lid closed will ensure higher, more even temperatures that can reduce cooking time and cook meat more evenly. Food that has a cooking time longer than 30 minutes, such as roasts, can be cooked indirectly (with the burner lit opposite to the food placement). When cooking very lean meats, such as chicken breasts or lean pork, the grids can be oiled before pre-heating to reduce sticking. Cooking meat with a high degree of fat content can create flare-ups. Either trim the fat or reduce temperatures to inhibit this. Should a flare-up occur, move food away from the flames and reduce the heat. Leave the lid open. See Your All Season Grill cookbook by Napoleon for more detailed instructions.

Direct Cooking: Place food to be cooked on the grill directly over the heat. This method is generally used for searing or for foods that do not require prolonged cooking times such as hamburgers, steaks, chicken pieces, or vegetables. The food is first seared to trap-in the juices and flavor, and then the temperature is lowered to finish cooking the food to your preference.

Indirect Cooking: With one or more burners operating, place food to be cooked on the grill over a burner that is not operating. The heat circulates around the food, cooking slowly and evenly. Cooking with this method is much the same as cooking in your oven and is generally used for larger cuts of meats such as roasts, chickens or turkeys, but can also be used for cooking foods that are prone to flare-ups or for smoking foods. Lower temperatures and slower cooking times result in tender foods.

Rear Burner Use (If Equipped): Remove the warming rack prior to use, the extreme heat will damage the warming rack. Cooking grids should also be removed if they interfere with the rotisserie. The rear burner is designed to be used in conjunction with the rotisserie kit (included with most rear burner units) available from your dealer. See the rotisserie kit assembly instructions.

To use the counterbalance - remove the rotisserie motor from the gas grill. Place the spit with meat being cooked across the hangers inside the grill. The meat will naturally hang with the heavy side down. Tighten the counterbalance arm and weight so the arm is facing up. Slide the counterweight in or out to balance the load and tighten in place. Re-install the motor and begin cooking. Place a metal dish underneath the meat to collect drippings for basting and naturally delicious gravy. Basting liquid may be added as required. To seal in juices, first operate rear burner on high until brown, then reduce the heat to thoroughly cook foods. Keep the lid closed for best results. Your roasts and fowl will brown perfectly on the outside and stay moist and tender on the inside. For example, a 3 pound chicken on the rotisserie will be done in approximately 1½ hours on medium to high. See ‘Your all Season Grill’ cookbook by Napoleon for more detailed instructions.



WARNING! Barbecue sauce and salt can be corrosive and will cause rapid deterioration of the gas grill components unless cleaned regularly. When finished cooking disassemble rotisserie components, wash thoroughly with warm soapy water and store indoors.

Infrared Side Burner Use(if equipped): The gas grill should be located so that the side burner is protected from the wind, because the wind will adversely affect its performance.

The side burner is equipped with a cooking grid which can be positioned at two different heights. The lower position can be used like any range top burner, for gravies, soups, etc. The higher position is for searing meats. (see instructions located on side burner lid).



WARNING! Do not close the side burner lid while it is operating or hot.

WARNING! Do not adjust cooking grid while hot or operating.

WARNING! Do not use side burner to deep fry foods as cooking with oil can create a dangerous situation.

1. Follow the infrared side burner lighting instructions and operate on high for 5 minutes with the lid opened or until the ceramic burners glow red.
2. Place food on grills and cook according to times listed in the Infrared Grilling Chart.
3. Depending upon your taste, continue cooking over infrared burners on high, medium or low, turning food frequently, or place food on the main burner area of the grill, close lid, and allow oven temperature to slowly finish cooking your food.

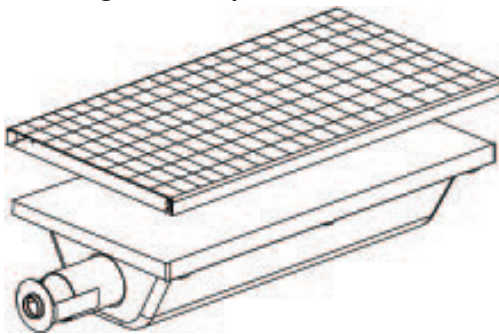


CAUTION! Due to the intense heat the infrared burners provide, food left unattended over burners will burn quickly. Keep the lid open when cooking with the infrared burners on high. The intense heat ensures adequate searing temperatures even with the lid open. This also allows observation of the food, so as to prevent burning.

Protection Of Your Infra Red Burners: The infrared burners of your grill are designed to provide a long service life. However, there are steps you must take to prevent cracking of their ceramic surfaces, which will cause the burners to malfunction.

- Never let water come in direct contact with your ceramic burner.
- Do not allow hard objects to impact the infra red burner.
- Do not allow cold water (rain, sprinkler, hose, etc.) to come in contact with hot ceramic burners. A large temperature differential can cause cracking of the ceramic tile.
- Keep the lid closed when the side burner is not in use.
- After cooking operate the burner on high for 5 minutes, to burn off any drippings and debris.

Damage caused by failure to follow these steps is not covered by your grill warranty.



REPLACEMENT SCREEN N565-0002

Infrared Heat

Most people don't realize that the heat source we are most familiar with, our sun, warms the earth using mainly infrared energy. This is a form of electro-magnetic energy with a wavelength just greater than the red end of the visible light spectrum but less than a radio wave. This energy was discovered in 1800 by Sir William Herschel who dispersed sunlight into its component colors using a prism. He showed that most of the heat in the beam fell into the spectral region just beyond the red end of the spectrum, where no visible light existed. Most materials readily absorb infrared energy in a wide range of wavelengths, causing an increase in its temperature. The same phenomenon causes us to feel warmth when we are exposed to sunlight. The infrared rays from the sun travel through the vacuum of space, through the atmosphere, and penetrate our skin. This causes increased molecular activity in the skin, which creates internal friction and generates heat, allowing us to feel warmth.

Foods cooked over infrared heat sources are heated by the same principle. Charcoal grilling is our most familiar choice for infrared cooking. The glowing briquettes emit infrared energy to the food being cooked with very little drying effect. Any juices or oils that escape from the food drip onto the charcoal and vaporize into smoke giving the food its delicious grilled taste. The Napoleon infrared burner cooks in the same way. In each burner, 10,000 ports – each with its own tiny flame – cause the surface of the ceramic tile to glow red. This glow emits the same type of infrared heat to the food as charcoal, without its hassle or mess. Infrared burners also provide a more consistently heated area that is far easier to regulate than a charcoal fire. For instant searing, the burners can be set to high, yet they can also be turned down for slower cooking. We all know how difficult that is on a charcoal fire. Traditional gas burners heat the food in a different way. The air surrounding the burner is heated by the combustion process and then rises to the food being cooked. This generates lower grill temperatures that are ideal for more delicate cuisine such as seafood or vegetables, whereas Napoleon's infrared burners produce searing heat for juicier, tastier steaks, hamburgers and other meats. For cooking times and tips refer to the Infrared Grilling Chart.

Infrared Grilling Chart

Food	Control Setting	Cooking Time	Helpful Suggestions
Steak 1 in. thick	High setting 2 min. each side. High setting 2 min. each side then medium setting. High setting 2 min. each side then medium setting.	4 min. – Rare 6 min. – Medium 8 min. – Well done	When selecting meat for grilling, ask for marbled fat distribution. The fat acts as a natural tenderizer while cooking and keeps it moist and juicy.
Hamburger 1/2 in. thick	High setting 2 min. each side. High setting 2 1/2 min. each side. High setting 3 min. each side.	4 min. – Rare 5 min. – Medium 6 min. – Well done	Preparing hamburgers to order is made easier by varying the thickness of your patties. To add an exotic taste to your meat, try adding hickory-flavored woodchips to Napoleon's woodchip smoker.
Chicken pieces	High setting 2 min. each side then medium-low to low setting.	20-25 min.	The joint connecting the thigh and the leg from the skinless side should be sliced 3/4 of the way though for the meat to lay flatter on the grill. This helps it to cook faster and more evenly. To add a trademark taste to your cooking, try adding mesquite-flavoured woodchips to your Napoleon woodchip smoker.
Pork chops	Medium	6 min. per side	Trim off the excess fat before grilling. Choose thicker chops for more tender results.
Spare ribs	High setting for 5 minutes low to finish	20 min. per side turn often	Choose ribs that are lean and meaty. Grill until meat easily pulls away from the bone.
Lamb chops	High setting for 5 minutes medium to finish	15 min. per side	Trim off the excess fat before grilling. Choose extra thick chops for more tender results.
Hot dogs	Medium - Low	4-6 min.	Select the larger size wieners. Slit the skin lengthwise before grilling.

Maintenance / Cleaning Instructions

We recommend this gas grill be thoroughly inspected and serviced annually by a qualified service person.

At all times keep the gas grill area free from combustible materials, gasoline and other flammable vapors and liquids. Do not obstruct the flow of ventilation and combustion air. Keep the cylinder enclosure ventilation openings (located on the cart sides and at the front and back of the bottom shelf) free and clear from debris.



WARNING! Always wear protective gloves and safety glasses when servicing your grill.



WARNING! To avoid the possibility of burns, maintenance should be done only when the grill is cool. Avoid unprotected contact with hot surfaces. Ensure all burners are turned off. Clean grill in an area where cleaning solutions will not harm decks, lawns, or patios. Do not use oven cleaner to clean any part of this gas grill. Do not use a self-cleaning oven to clean cooking grids or any other parts of the gas grill. Barbecue sauce and salt can be corrosive and will cause rapid deterioration of the gas grill components unless cleaned regularly.



Note: Stainless steel tends to oxidize or stain in the presence of chlorides and sulfides, particularly in coastal areas and other harsh environments, such as the warm, highly humid atmosphere around pools and hot tubs. These stains could be perceived as rust, but can be easily removed or prevented. To provide stain prevention and removal, wash all stainless steel surfaces every 3-4 weeks or as often as required with fresh water and/or stainless steel cleaner.



WARNING! Turn off the gas at the source and disconnect the unit before servicing. To avoid the possibility of burns, maintenance should be done only when the grill is cool. A leak test must be performed annually and whenever any component of the gas train is replaced or gas smell is present.

Combustion Air Adjustment: (This must be done by a qualified gas installer.) The air shutter is factory set and should not need adjusting under normal conditions. Under extreme field conditions, adjustments might be required. When the air shutter is adjusted correctly the flames will be dark blue, tipped with light blue and occasionally yellow.

- With too little air flow to the burner, the flames are lazy yellow and can produce soot.
- With too much air flow, the flames lift erratically and can cause difficulties when lighting.

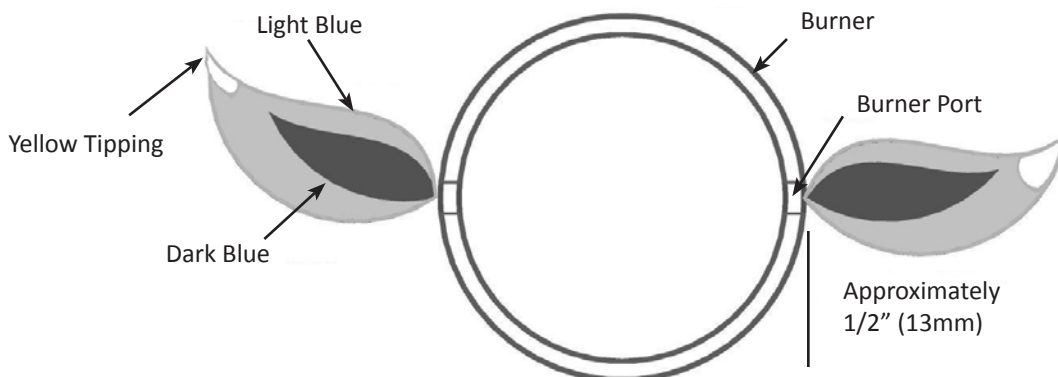
Adjusting the air shutter:

1. Remove cooking grids and sear plates and leave lid open.
2. Loosen air-shutter lock screw located at the mouth of the burner and open or close air shutter as required. The normal opening settings are:

Main Tube Burner	Propane 5/32" (4mm)
	Natural 5/32" (4mm)

*Infra-Red burners have no air adjustment.

3. Light the burners and set to high. Visually inspect burner flames. When the shutters are set correctly, turn burners off, tighten locking screws, and replace removed parts. Ensure that the insect screens are installed.



Grids And Warming Rack: The grids and warming rack are best cleaned with a brass wire brush during the pre-heating period. Steel wool can be used for stubborn stains. It is normal that stainless grids (if equipped) will discolor permanently from regular usage due to the high temperature of the cooking surface.

Cast Iron Cooking Grids: The cast iron cooking grids supplied with your new grill offer superior heat retention and distribution. By regularly seasoning your grids you are adding a protective coating, which will aid in resisting corrosion and increase your grids non-stick capabilities.

First Time Use: Wash the cooking grids by hand with mild dish soap and water to remove any residue from the manufacturing process (never wash in a dish washer). Rinse thoroughly with hot water and dry completely with a soft cloth. This is important to avoid moisture from entering the cast iron.

Seasoning: Using a soft cloth, spread VEGETABLE SHORTENING over the entire grid surface ensuring all grooves and corners are covered. Do not use salted fats such as butter or margarine. Pre-heat your grill for 15 minutes, then place the seasoned cooking grids in the grill. Turn the burner control knobs to medium with the lid closed. Allow the cooking grids to heat for approximately one-half hour. Turn all the burners to the "OFF" position and turn the gas off at the source. Let the cooking grids stand until cool. This procedure should be repeated several times throughout the season, although it is not required for daily use (follow daily usage procedure below).

Daily Usage: Before pre-heating, and cleaning with a brass wire grill brush, coat the entire top surface of the cooking grids with VEGETABLE SHORTENING. Pre-heat the grill and then brush away any unwanted residue with a brass wire brush.

Stainless Steel Cooking Grids: (upgrade kit available - see replacement parts list). Stainless steel cooking grids are durable and corrosion resistant. They require less seasoning and maintenance than cast iron cooking grids. It is recommended that you follow the daily usage procedure listed above although you may find pre-heating and cleaning your grids with a wire brush is sufficient for your grilling needs.

Control Panel: The control panel text is printed directly on the stainless steel and with proper maintenance will remain dark and legible. To clean the panel, use only warm soapy water or stainless steel cleaner available from your Napoleon dealer. Never apply abrasive cleaners on any stainless surfaces, especially the printed portion of the control panel or the printing will gradually rub off.

Cleaning Inside The Gas Grill: Remove the cooking grids. Use a brass wire brush to clean loose debris from the casting sides and underneath the lid. Scrape the sear plates with a putty knife or scraper, and use a wire brush to remove the ash. Remove the sear plates and brush debris from the burners with the brass wire brush. Sweep all debris from inside the gas grill into the drip pan.

Drip Pan: Accumulated grease is a fire hazard. Clean the drip pan frequently (every 4 – 5 uses or as often as required) to avoid grease buildup. Grease and excess drippings pass through to the drip pan, located beneath the gas grill and accumulate in the disposable grease tray below the drip pan. To access the disposable grease tray or to clean the drip pan, slide the drip pan free of the grill. Never line the drip pan with aluminum foil, sand or any other material as this could prevent the grease from flowing properly. The pan should be scraped out with a putty knife or scraper. Replace the disposable grease tray every 2 – 4 weeks, depending on gas grill usage. For supplies, see your Napoleon Gas Grill dealer.

Cleaning The Outer Grill Surface: Do not use abrasive cleaners or steel wool on any painted, porcelain or stainless steel parts of your Napoleon Grill. Doing so will scratch the finish. Exterior grill surfaces should be cleaned with warm soapy water while the metal is still warm to the touch. To clean stainless surfaces, use a stainless steel or a non-abrasive cleaner. Always wipe in the direction of the grain. Over time, stainless steel parts discolor when heated, usually to a golden or brown hue. This discoloration is normal and does not affect the performance of the grill. Porcelain enamel components must be handled with additional care. The baked-on enamel finish is glass-like, and will chip if struck. Touch-up enamel is available from your Napoleon Grill dealer.



WARNING! Hose: Check for abrasions, melting, cuts, and cracks in the hose. If any of these conditions exist, do not use the gas grill. Have the part replaced by your Napoleon Gas Grill dealer or qualified gas installer.



Tube Burner: The burners are made from heavy wall 304 stainless steel, but extreme heat and a corrosive environment can cause surface corrosion to occur. This can be removed with a brass wire brush.

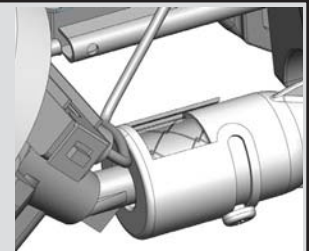
CAUTION! Beware of Spiders.

Spiders and insects are attracted to the smell of propane and natural gas. The burner is equipped with an insect screen on the air shutter, which reduces the likelihood of insects building nests inside the burner but does not entirely eliminate the problem. A nest or web can cause the burner to burn with a soft yellow or orange flame or cause a fire (flashback) at the air shutter beneath the control panel. **To clean the inside of the burner, it must be removed from the gas grill:** Remove the screw that attaches the burner to the back wall. Slide the burner back and upwards to remove. **Cleaning:** Use a flexible venturi tube brush to clean the inside of the burner. Shake any loose debris from the burner through the gas inlet. Check the burner ports and valve orifices for blockages. Burner ports can close over time due to cooking debris and corrosion, use an opened paperclip or the supplied port maintenance bit to clean them. Drill out blocked ports using this drill bit in a small cordless drill. The ports are easier to clean if the burner is removed from the grill, but it can also be done with the burner installed. Do not flex the drill bit when drilling the ports, as this will cause the drill bit to break. This drill is for burner ports only, not for the brass orifices (jets) which regulate the flow into the burner. Take care not to enlarge the holes. Ensure the insect screen is clean, tight, and free of any lint or other debris.

Reinstallation: Reverse the procedure to reinstall the burner. Check that the valve enters the burner when installing.



WARNING! When reinstalling the burner after cleaning it is very important that the valve/orifice enters the burner tube before lighting your gas grill. If the valve is not inside the burner tube a fire or explosion could occur.



Troubleshooting

Problem	Possible Causes	Solution
Low heat / Low flame when valve turned to high.	For propane - improper lighting procedure. For natural gas - undersized supply line. For both gases - improper preheating.	Ensure lighting procedure is followed carefully. All gas grill valves must be in the off position when the tank valve is turned on. Turn tank on slowly to allow pressure to equalize. See lighting instructions. Pipe must be sized according to installation code. Preheat grill with both main burners on high for 10 to 15 minutes.
Excessive flare-ups/ uneven heat.	Sear plates installed incorrectly. Improper preheating. Excessive grease and ash build on sear plates and in drip pan.	Ensure sear plates are installed with the holes towards the front and the slots on the bottom. See assembly instructions. Preheat grill with both main burners on high for 10 to 15 minutes. Clean sear plates and drip pan regularly. Do not line pan with aluminum foil. Refer to cleaning instructions.
Burners burn with yellow flame, accompanied by the smell of gas.	Possible spider web or other debris, or improper air shutter adjustment.	Thoroughly clean burner by removing. See general maintenance instructions. Open air shutter slightly according to combustion air adjustment instructions. (This must be done by a qualified gas installer.)

Problem	Possible Causes	Solution
Flames lift away from burner, accompanied by the smell of gas, and possibly difficulties in lighting.	Improper air shutter adjustment.	Close air shutter slightly according to combustion air adjustment instructions. (This must be done by a qualified gas installer.)
Humming regulator.	Normal occurrence on hot days.	This is not a defect. It is caused by internal vibrations in the regulator and does not affect the performance or safety of the gas grill. Humming regulators will not be replaced.
Burners will not cross light each other.	Plugged ports at back of burner.	Clean burner ports. See burner maintenance instructions.
"Paint" appears to be peeling inside lid or hood.	Grease build-up on inside surfaces.	This is not a defect. The finish on the lid and hood is porcelain, and will not peel. The peeling is caused by hardened grease, which dries into paint-like shards, that flake off. Regular cleaning will prevent this. See cleaning instructions.
Infrared burner (if equipped) flashes back (during operation the burner abruptly makes a loud "whoosh" sound, followed by a continuous blow-torch type sound and grows dim.)	<p>Ceramic tiles overloaded with grease drippings and build-up. Ports are clogged.</p> <p>Burner overheated due to inadequate ventilation (too much grill surface covered by griddle or pan.)</p> <p>Cracked ceramic tile.</p> <p>Leaking gasket surrounding the ceramic tile, or a weld failure in the burner housing.</p>	<p>Turn burner off and allow to cool for at least two minutes. Relight burner and burn on high for at least five minutes or until the ceramic tiles are evenly glowing red.</p> <p>Ensure that no more than 75% of the grill surface is covered by objects or accessories. Turn burner off and allow to cool for at least two minutes, then relight.</p> <p>Allow burner to cool and inspect very closely for cracks. If any cracks are found, contact your authorized Napoleon dealer to order a replacement burner assembly.</p> <p>Contact your authorized Napoleon dealer for instructions on ordering a replacement burner assembly.</p>

KEEP YOUR RECEIPT AS PROOF OF PURCHASE TO VALIDATE YOUR WARRANTY.

Ordering Replacement Parts

Warranty Information

MODEL: _____

DATE OF PURCHASE: _____

SERIAL NUMBER: _____

(Record information here for easy reference)

Before contacting the Customer Care Department, check the NAC Website for more extensive cleaning, maintenance, troubleshooting and parts replacement instructions at www.napoleongrills.com. Contact the factory directly for replacement parts and warranty claims. Our Customer Care Department is available between 9 AM and 5 PM (Eastern Standard Time) at 1-866-820-8686 or fax at 1-705-727-4282. To process a claim, we must be provided with the following information:

1. Model and serial number of the unit.
2. Part number and description.
3. A concise description of the problem ('broken' is not sufficient).
4. Proof of purchase (photocopy of the invoice).

In some cases the Customer Care Representative could request to have the parts returned to the factory for inspection before providing replacement parts. These parts must be shipped prepaid to the attention of the Customer Care Department with the following information enclosed:

1. Model and serial number of the unit.
2. A concise description of the problem ('broken' is not sufficient).
3. Proof of purchase (photocopy of the invoice).
4. Return Authorization Number - provided by the Customer Care Representative.

Before contacting customer care, please note that the following items are not covered by the warranty:

- Costs for transportation, brokerage or export duties.
- Labor costs for removal and reinstallation.
- Costs for service calls to diagnose problems.
- Discoloration of stainless steel parts.
- Part failure due to lack of cleaning and maintenance, or use of improper cleaners (oven cleaner).



CAUTION! During unpacking and assembly we recommended you wear work gloves and safety glasses for your protection. Although we make every effort to make the assembly process as problem free and safe as possible, it is characteristic of fabricated steel parts that the edges and corners might be sharp and could cause cuts if handled incorrectly.



Getting Started

1. Remove all cart panels, hardware, and grill head from carton. Raise lid and remove any components packed inside. Use the parts list to ensure all necessary parts are included.
2. Do not destroy packaging until the grill has been fully assembled and operates to your satisfaction.
3. Assemble the grill where it is to be used, lay down cardboard or a towel to protect parts from being lost or damaged while assembling.
4. **Most stainless steel parts are supplied with a protective plastic coating that must be removed prior to using grill.**
5. Follow all instructions in the order that they are laid out in this manual.
6. Two people are required to lift the grill head onto the assembled cart.

If you have any questions about assembly or grill operation, or if there are damaged or missing parts please call our Customer Care Department at 1-866-820-8686 between 9 AM and 5 PM (Eastern Standard Time).

TOOLS REQUIRED FOR ASSEMBLY (tools not included)

3/8 (10mm)
Wrench,
ratchet or driver



Flat and Philips
screwdrivers



Pliers



Hammer

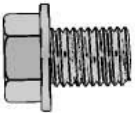
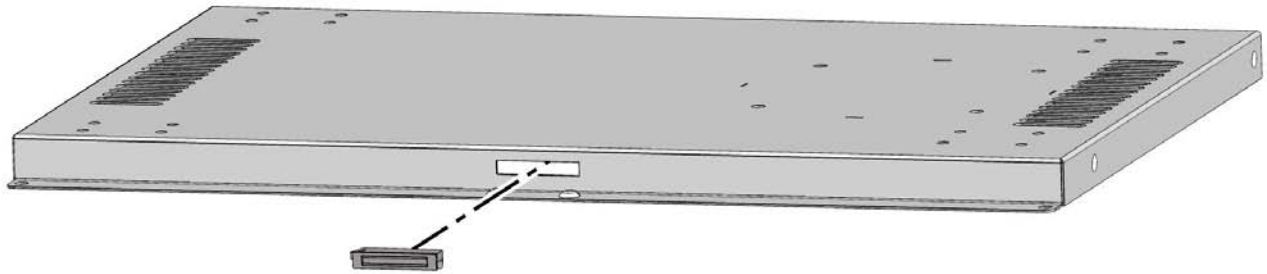




1 x N430-0002

1. Magnet Installation

Snap magnet into slot in front of bottom shelf.



16 x N570-0073 (1/4-20 X 3/8")



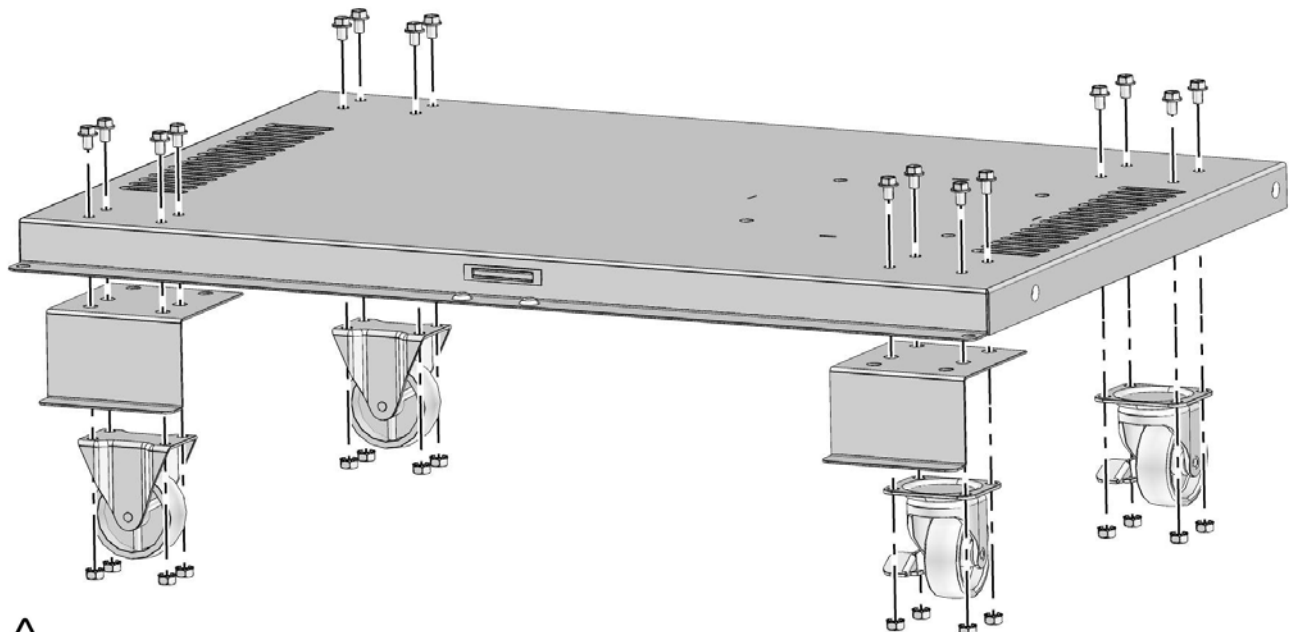
16 x N450-0027 (1/4-20)



3/8"(10mm) 7/16"(11mm)

2. Caster/Bracket Installation

Attach (4) casters, using (4) 1/4 -20 x 3/8" screws and (4) 1/4 -20 lock nuts for each caster. Attach brackets under front casters as illustrated. Tighten securely.



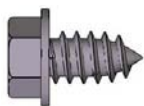
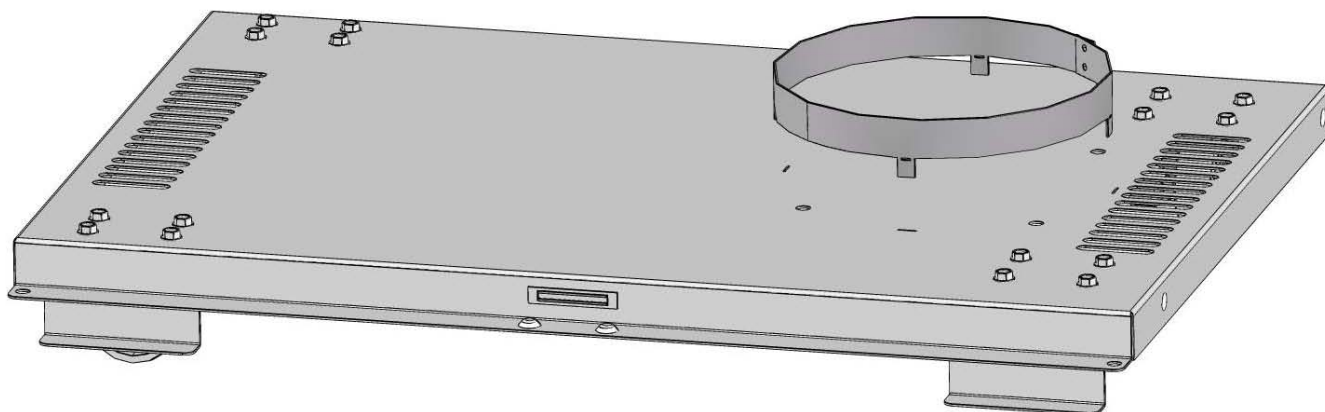
non revolving caster- left side



Propane Only

3. Propane Tank Ring Installation

Insert propane tank ring into slots in bottom of shelf as shown. Fold tabs over to secure in place.



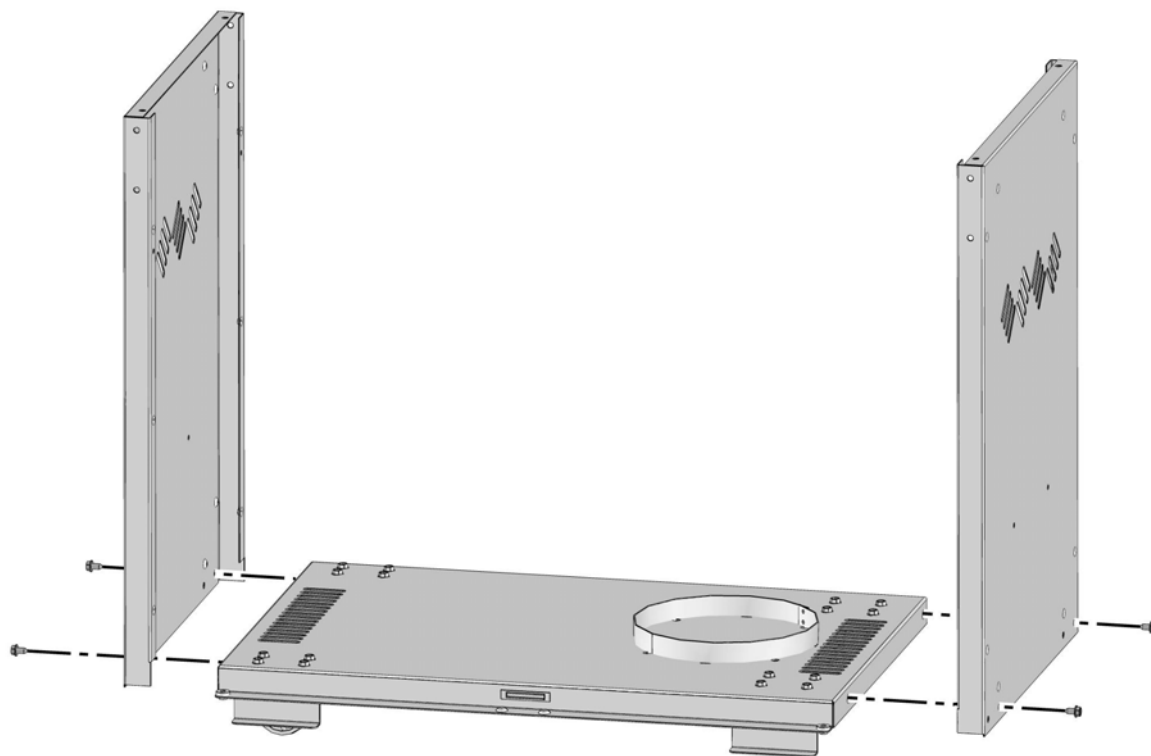
4 x N570-0080 (#14 x 1/2")

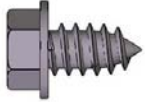


3/8" (10mm)

4. Left and Right Cart Panel Installation

Install end cart panels ensuring slots in panel are to the top, rest panel on bottom shelf and line up holes. Fasten using (4) #14 x 1/2" screws.





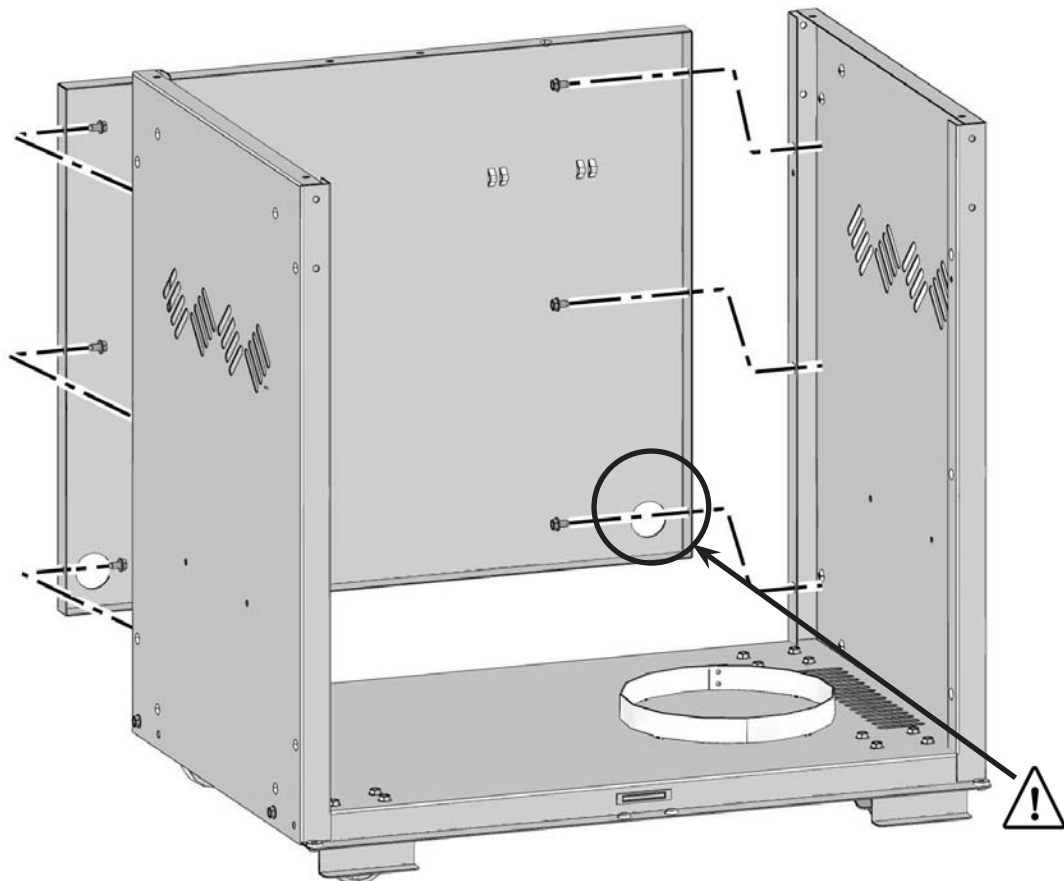
6 x N570-0080 (#14 x 1/2")

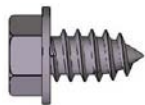


3/8"(10mm)

5. Rear Cart Panel Installation

Fit rear cart panel between the two end panels; ensure large hole in panel is to the bottom right corner as illustrated. Fasten using (6) #14 x 1/2" screws, three on each side.





1 x N570-0080 (#14 x 1/2")



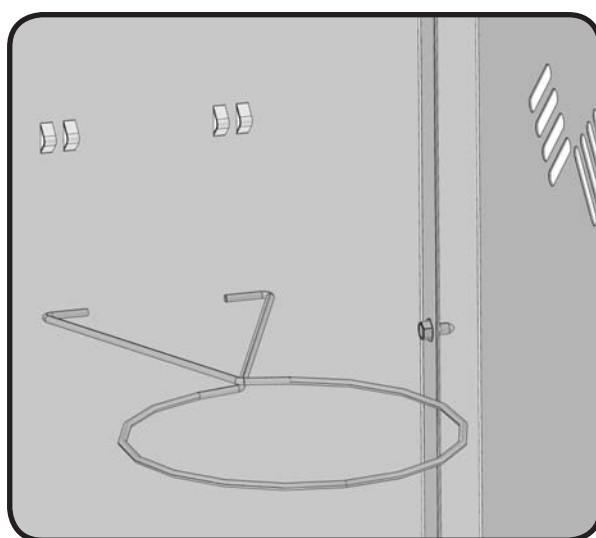
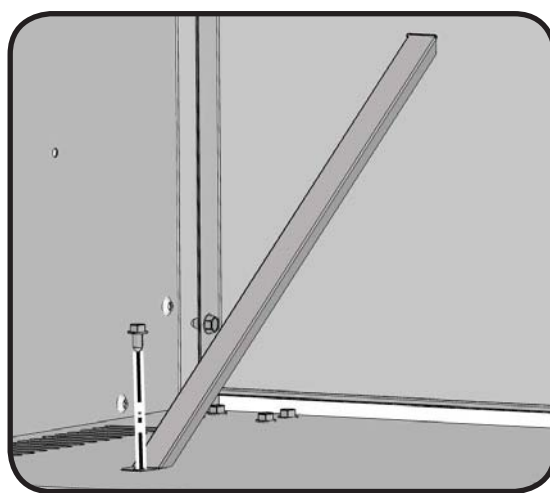
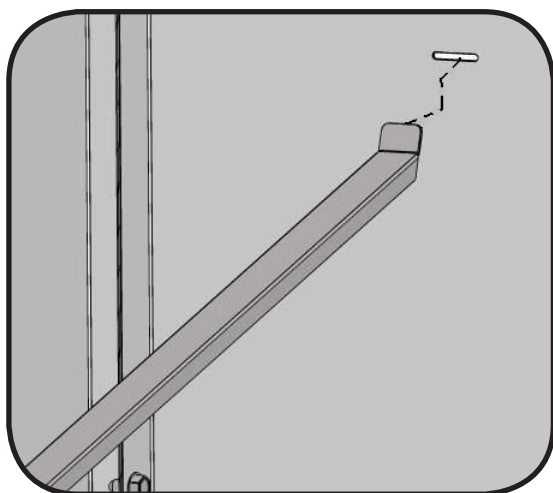
3/8" (10mm)

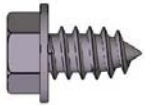
6. Tank Inhibitor Bracket / Propane Tank Mount Installation

Insert tank inhibitor bracket into slot in rear panel as illustrated. Fasten to bottom panel using (1) #14 x 1/2" screw. Clip top propane tank mount into slots in back panel. Insert one end at a time, gently bending wire. (When not in use tank mount will lay flat against back panel).



Propane Only





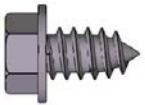
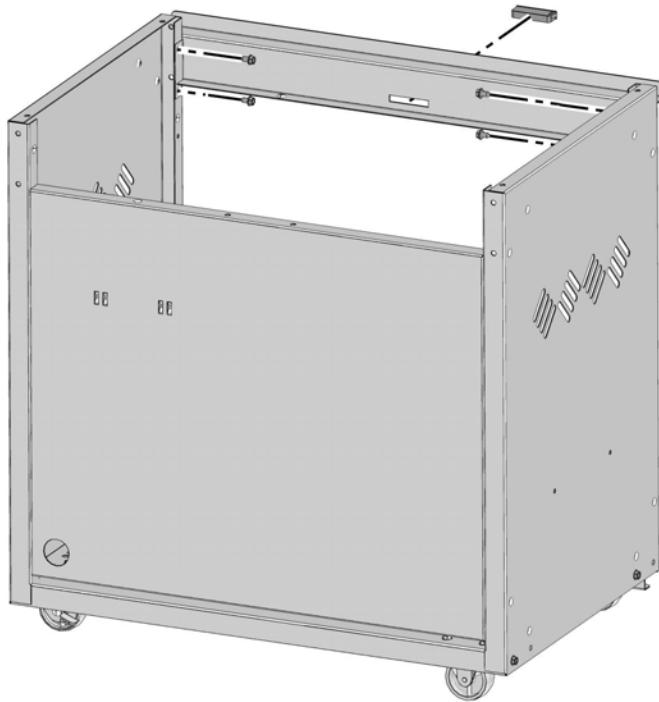
4 x N570-0080 (#14 x 1/2") 1 X N430-0002



3/8"(10mm)

7. Front Cabinet Support Installation

Fasten top rail assembly to the front of side panels using (4) #14 x 1/2" screws. For ease of installation start all screws before tightening completely. Snap magnet into place as shown.



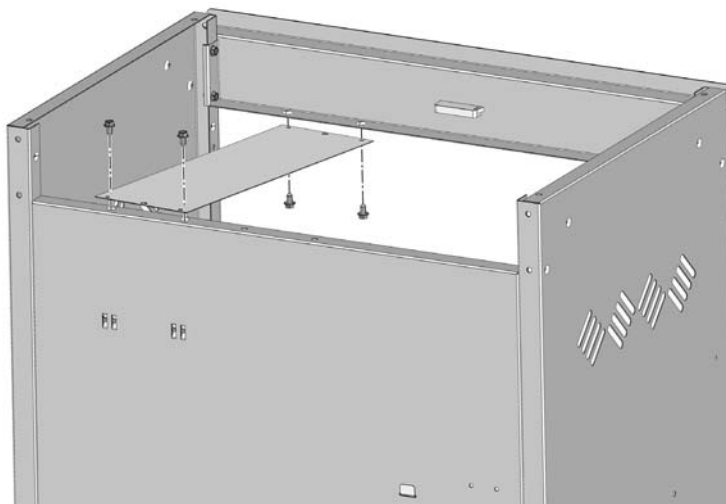
4 x N570-0080 (#14 x 1/2")

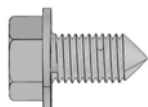


3/8"(10mm)

8. Heat Shield Installation

Attach heat shield using (4) #14 x 1/2" screws. Attach one end under lip of back panel and other end to underside of front cabinet support.





4 x N570-0091 (1/4-20 X 1/2")



3/8" (10mm)

9. Grill Head Installation

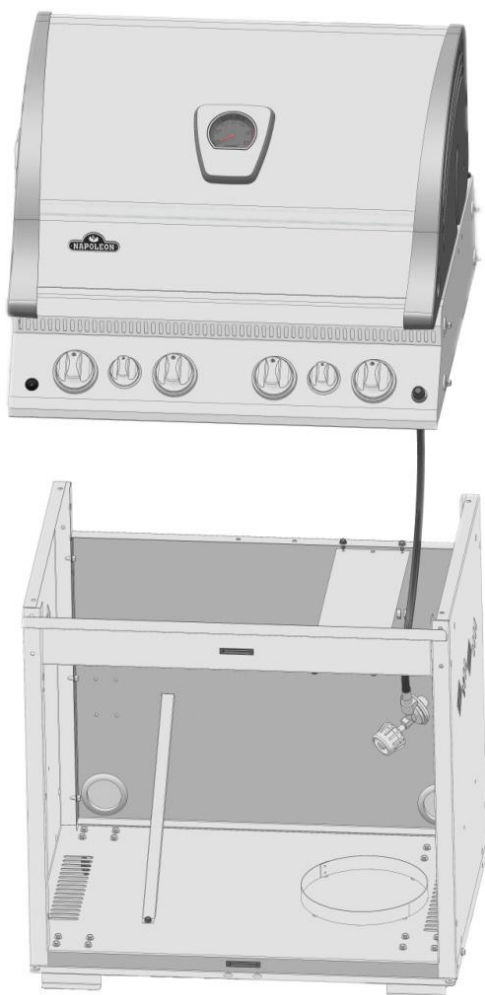
PROPANE ONLY – To avoid assembly difficulties, prior to mounting the grill head, remove zip tie holding regulator up under control panel. This was installed at the factory to protect the regulator hose during shipping and is no longer required. (Take care when removing the tie not to damage the hose). Ensure the regulator drops into the small opening, between the tank heat shield and the right side of the cabinet.

Lift grill head and place on assembled cart, lining up holes in top of side cart panels with holes in bottom of base. Fasten from inside using (4) 1/4-20 x 1/2" screws, two per side.

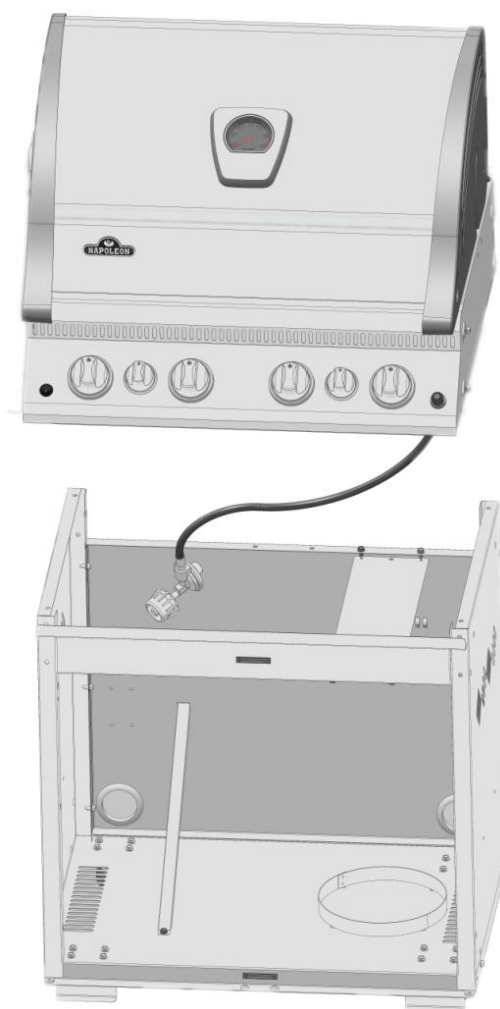
Two people are required for this step.

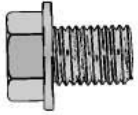


Correct Assembly



Incorrect Assembly





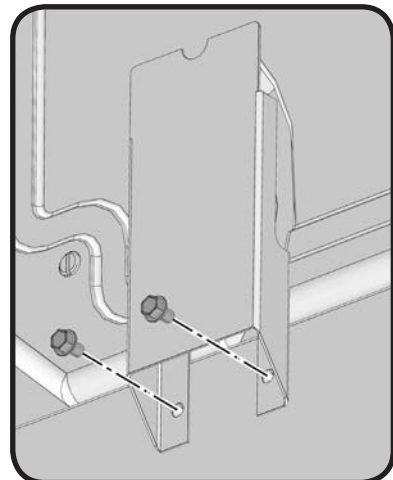
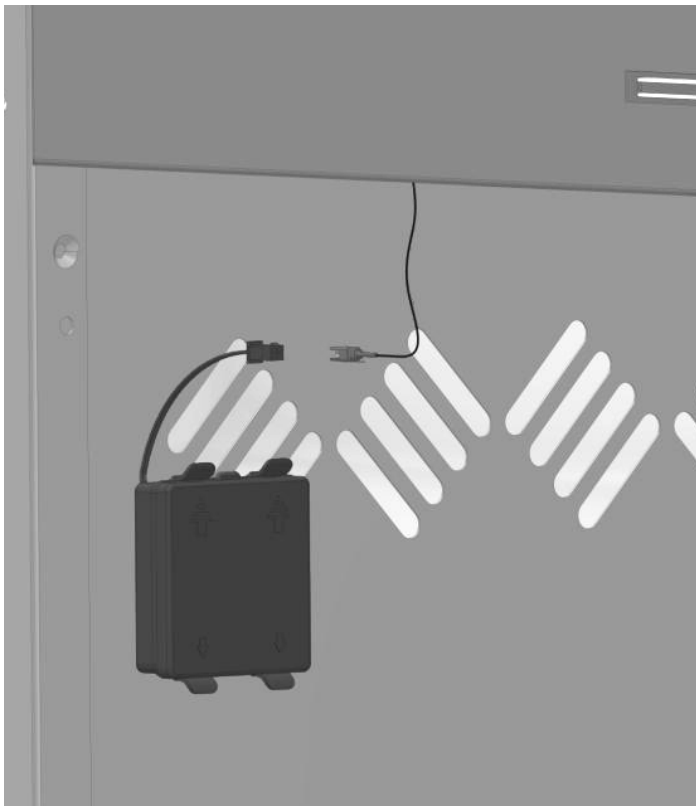
2 x N570-0073 (1/4-20 X 3/8")

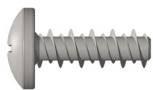


3/8" (10mm)

10. Battery Pack / Rotisserie Mount Installation

Install battery pack below vent slots on left hand panel using magnet supplied with battery pack. Plug wire from LED (lights) located underneath control panel into wire from battery pack. Install rotisserie mount bracket to left side of barbecue as shown using (2) 1/4 – 20 x 3/8" screws.





8 x N570-0076 (#8 X 1/2")

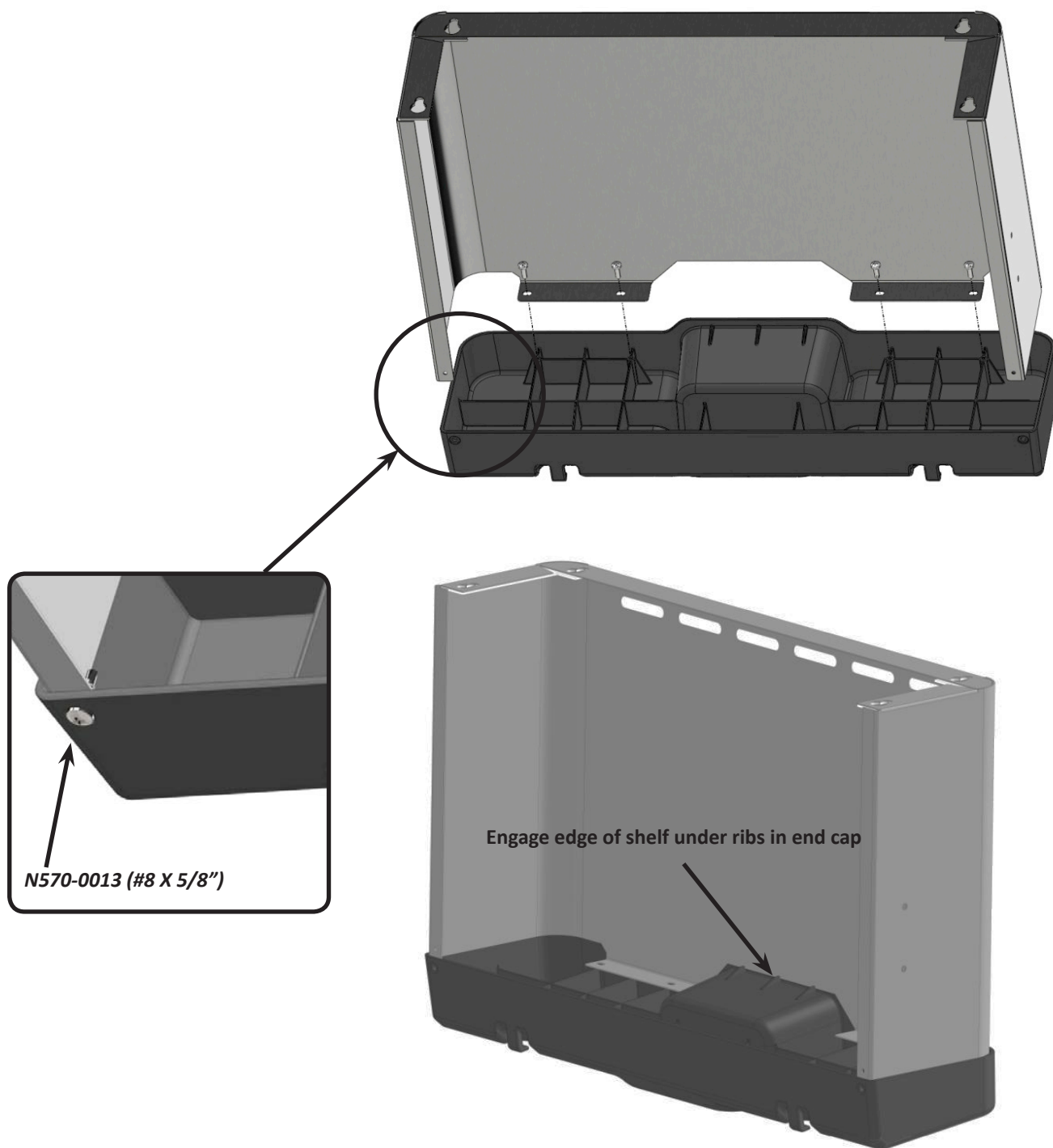


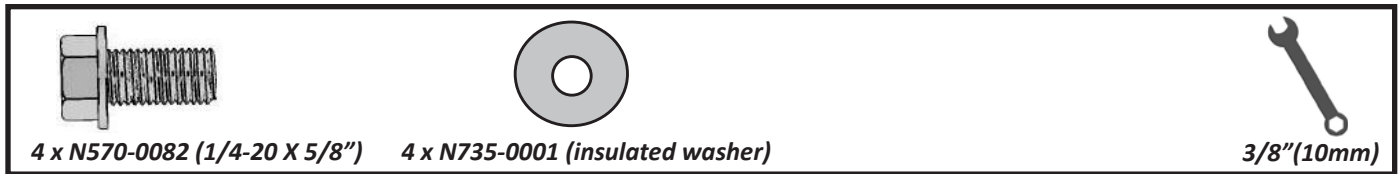
4 x N570-0013 (#8 X 5/8")



11. Side Shelf Assembly

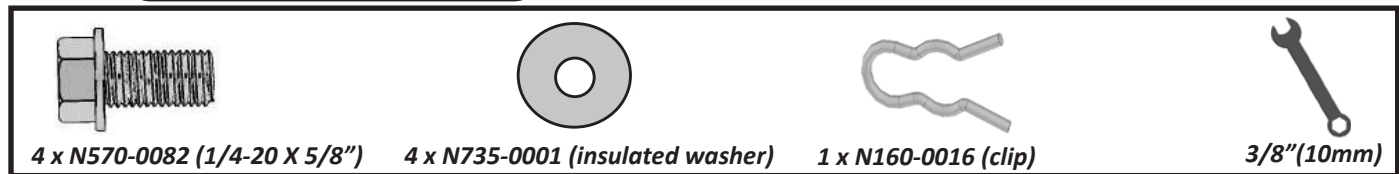
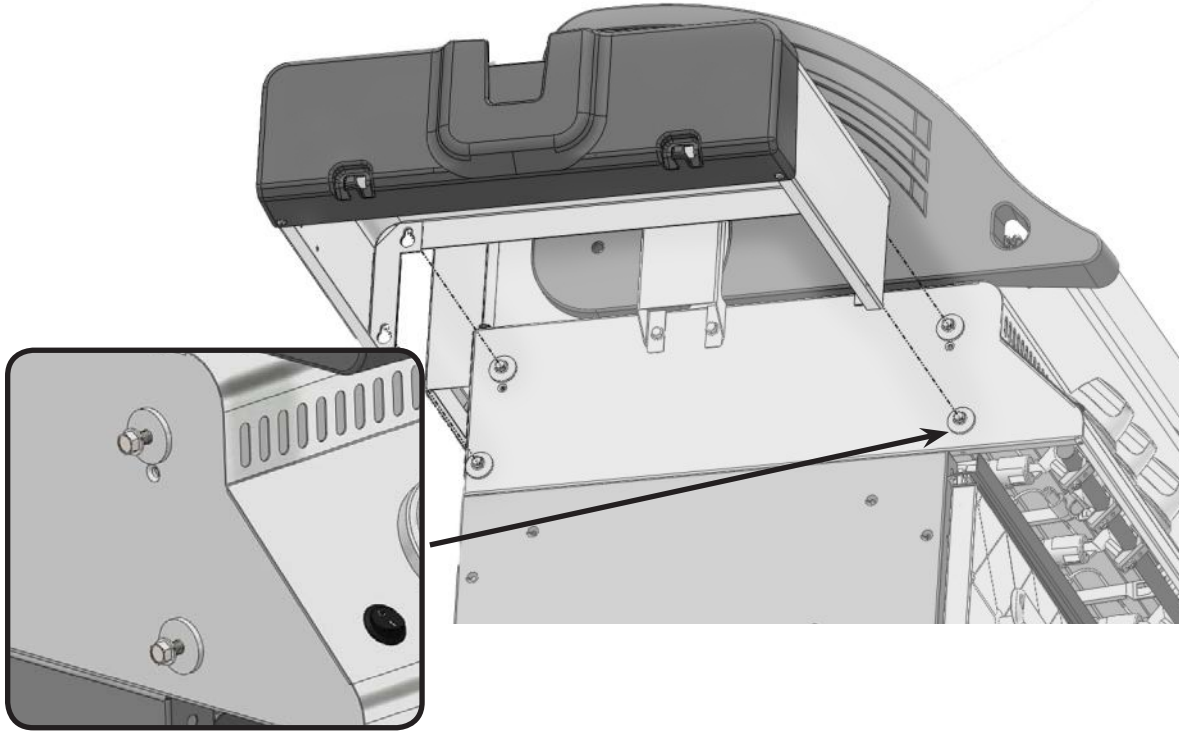
Peel the protective coating from the side shelf. Insert the top of the side shelf into the end cap engaging the edge of the shelf under the ribs in the end cap as illustrated. Push the bottom tabs into the end cap and line up holes. Attach the end cap to the side shelf using (4) #8 x 1/2" screws per shelf. On the underside of the side shelf fasten the end cap using (2) #8 x 5/8" screws one on either end.





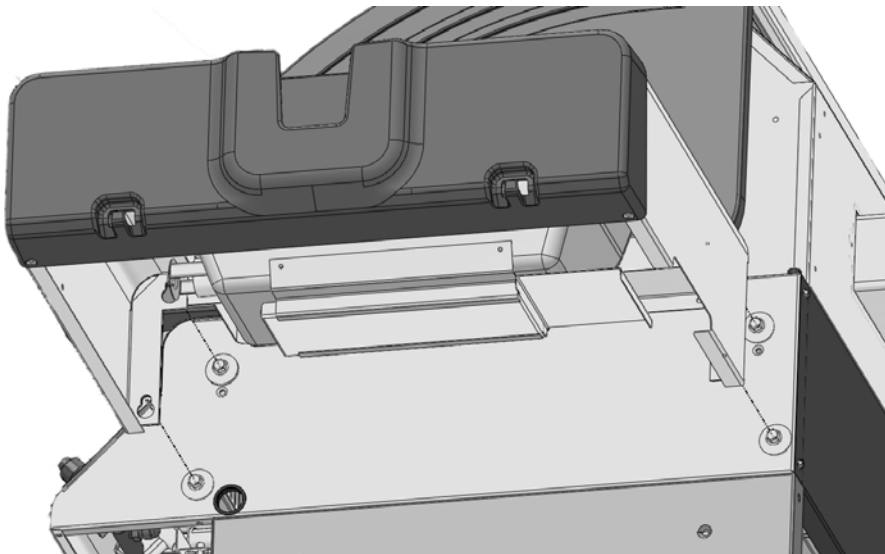
12. Side Shelf Installation

Insert (4) 1/4 - 20 x 5/8" screws through the washers into the threaded holes in the side of the base; do not tighten all the way. Slide the assembled side shelf over the screw heads and finish tightening.



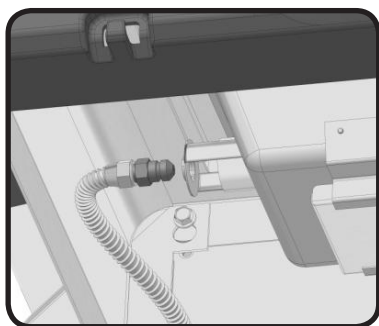
13. Side Burner Installation

Insert (4) 1/4-20 x 5/8" screws through the washers into the threaded holes in the side of the base; do not tighten all the way. Slide the assembled side burner over the screw heads and finish tightening.

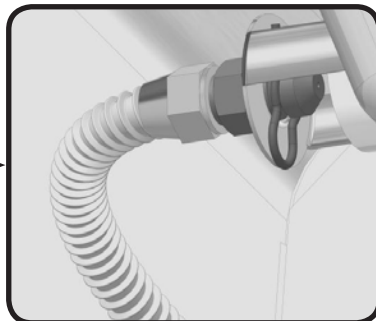
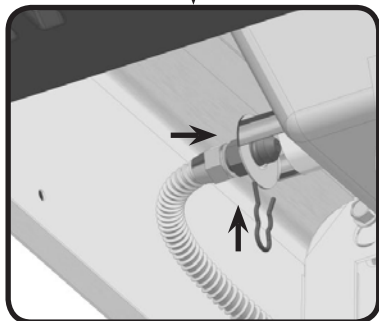
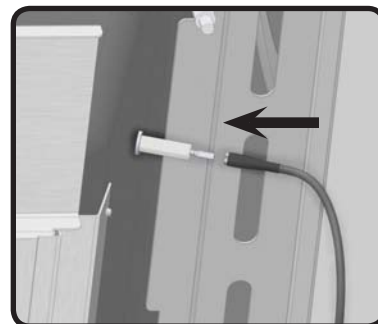


WARNING! The Infrared side burner is supplied with a drip pan which holds only a minimal amount of grease. To prevent grease fires, the pan must be cleaned after each use.

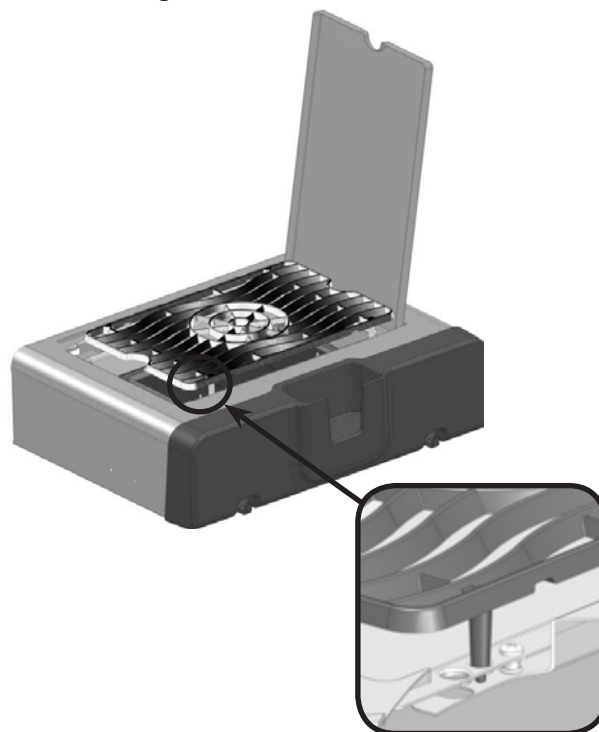
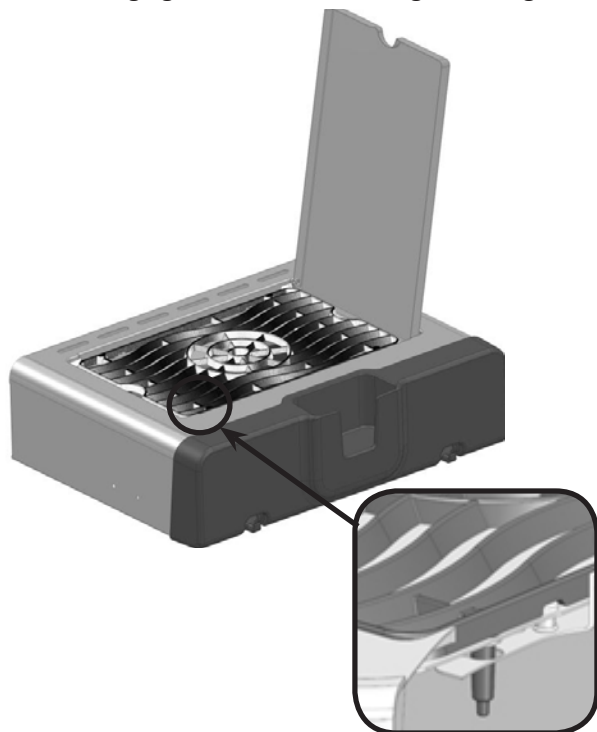
Fit the orifice into the burner tube and secure with the hose retainer clip supplied. Attach the wire from the manifold to the side burner electrode.

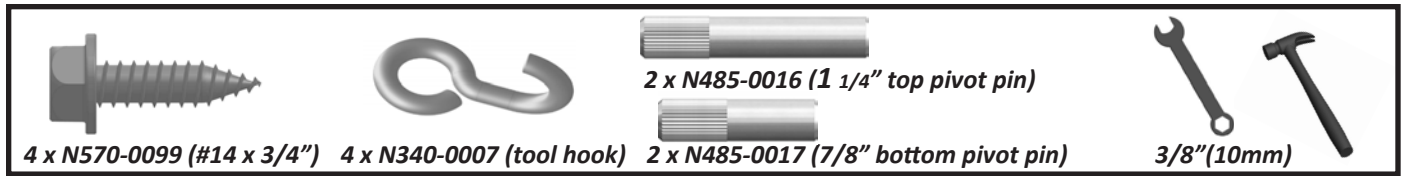


Fit orifice into burner tube and secure with hose retainer clip supplied.



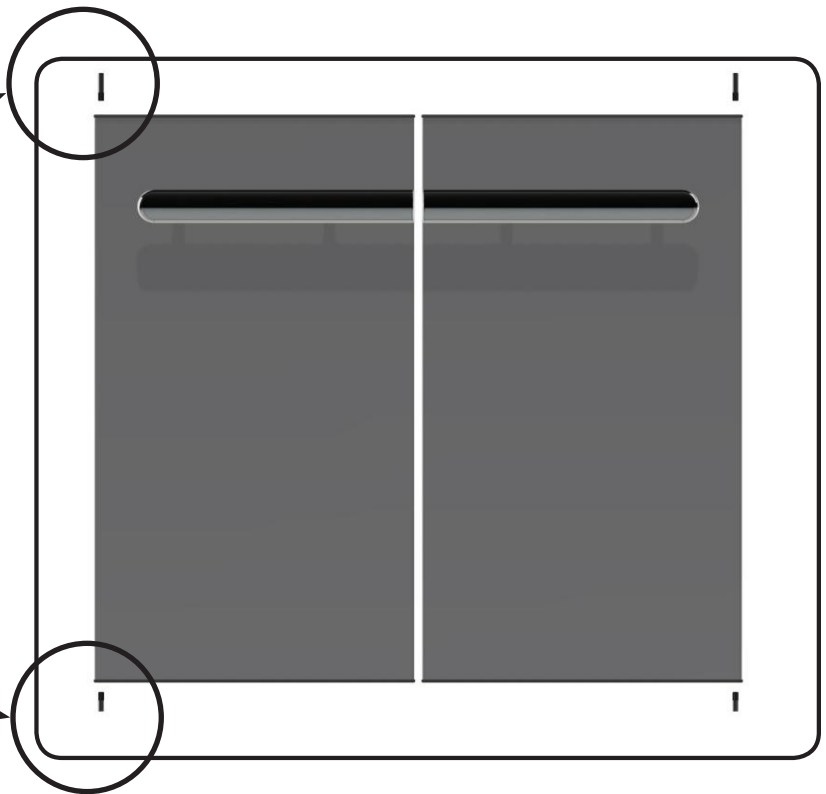
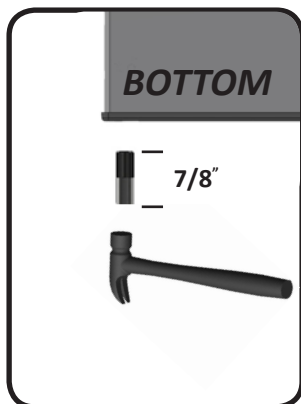
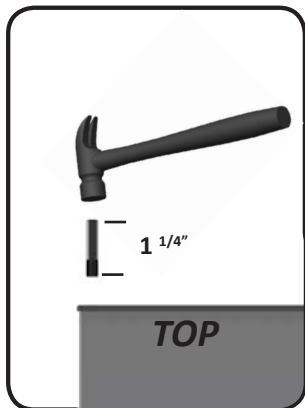
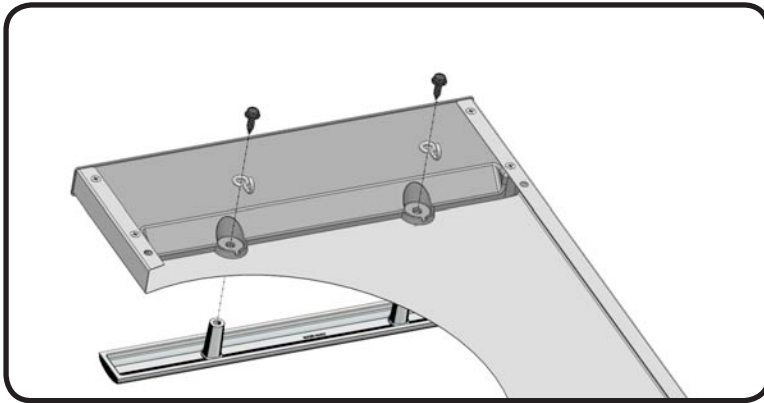
Cooking Grid Placement: The cooking grid can be placed at two different heights. The lower height is for use with pots or pans. The higher position is to be used when searing meats. Ensure the burner is off and the grid is cool to the touch before changing between the two heights. The grid must be at the lower height in order to close the lid.

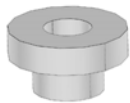




14. Door Assembly

Install the door handle onto the front of the door and the tool hooks onto the back of the door using (2) #14 x 3/4" screws per door. Press the door pivot pins into the holes in the top and bottom of each door as illustrated gently tapping with a hammer.

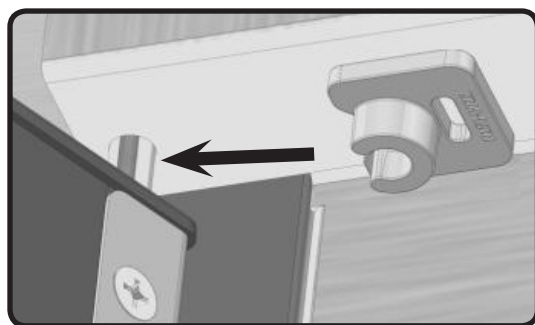
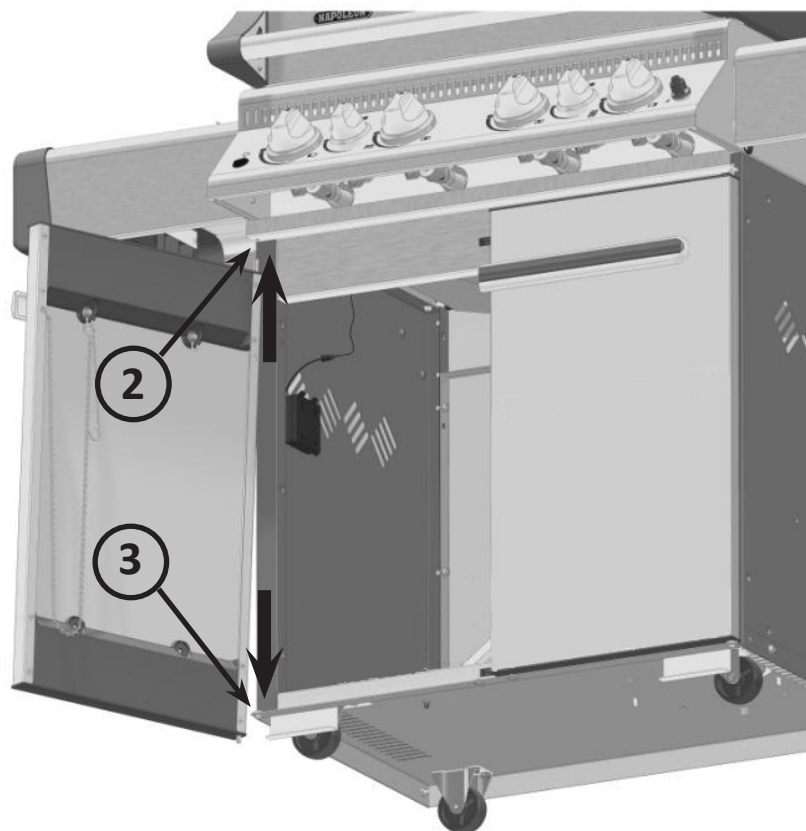
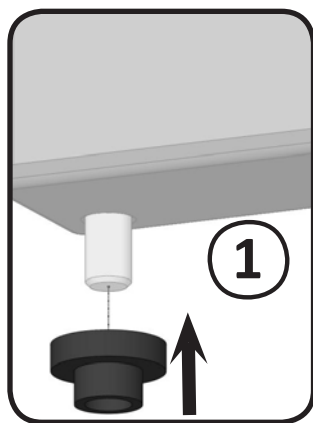




2 x N105-0011 (door bushing) 2 x N160-0022 (pivot pin clip)

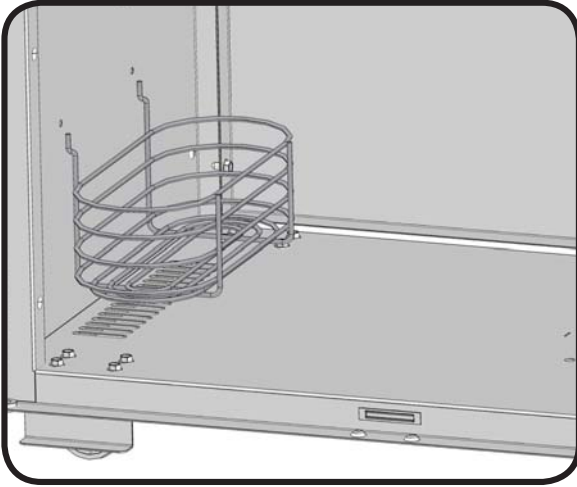
15. Door Installation

Slide the bushing over the pivot pin on the bottom of the door. Direct the top pivot pin into the hole in the underside of the front cabinet support and then lower the door fitting bushing into the hole in the bottom shelf. Once installed, snap the top pivot pin clip over the top pivot pin as illustrated.



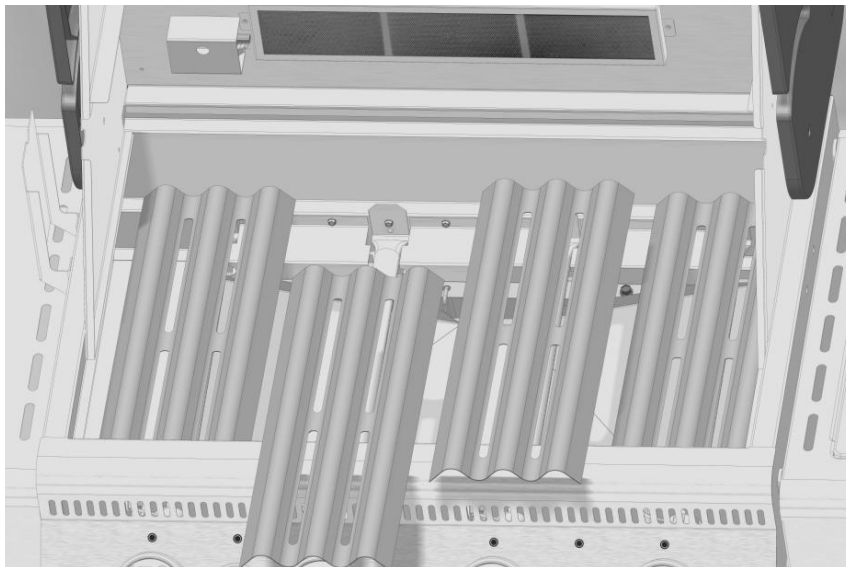
16. Condiment Basket Installation

Rotate basket slightly to allow wire to enter the holes in the side panel. Push through and upwards, rotating to allow the bend in the wire to pass through the holes. Lay basket flat against the side panel.



17. Sear Plate Installation

Insert sear plates into base, position one over each tube burner with slots down to allow drippings to travel through.



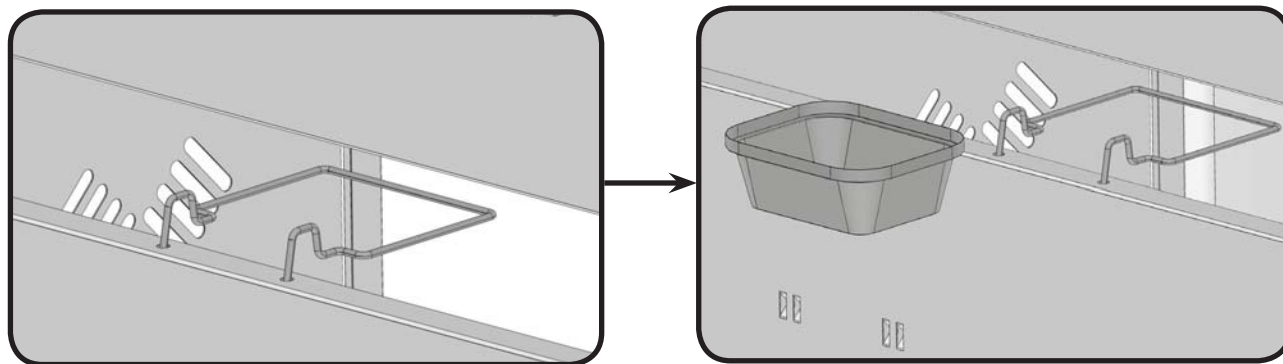
18. Grids and Warming Rack Installation

Position grids and warming rack into base as shown. Rest warming rack on brackets inside hood and grids on front and back lip of base.



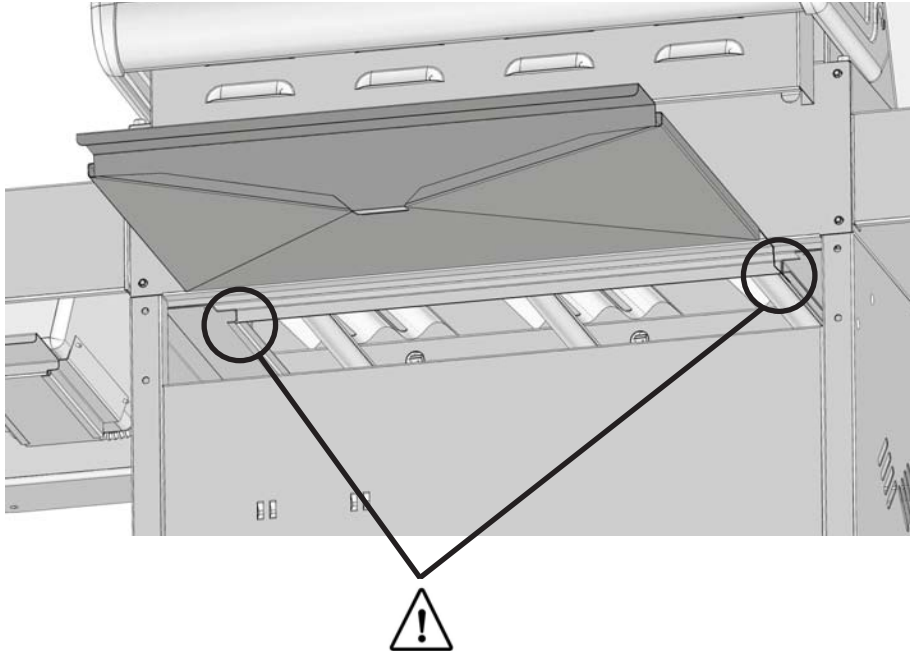
19. Grease Tray and Holder Installation

Clip the wire grease tray holder into the two holes located in the center of the back panel. Place the aluminum grease tray into the grease tray holder.



20. Drip Pan Installation

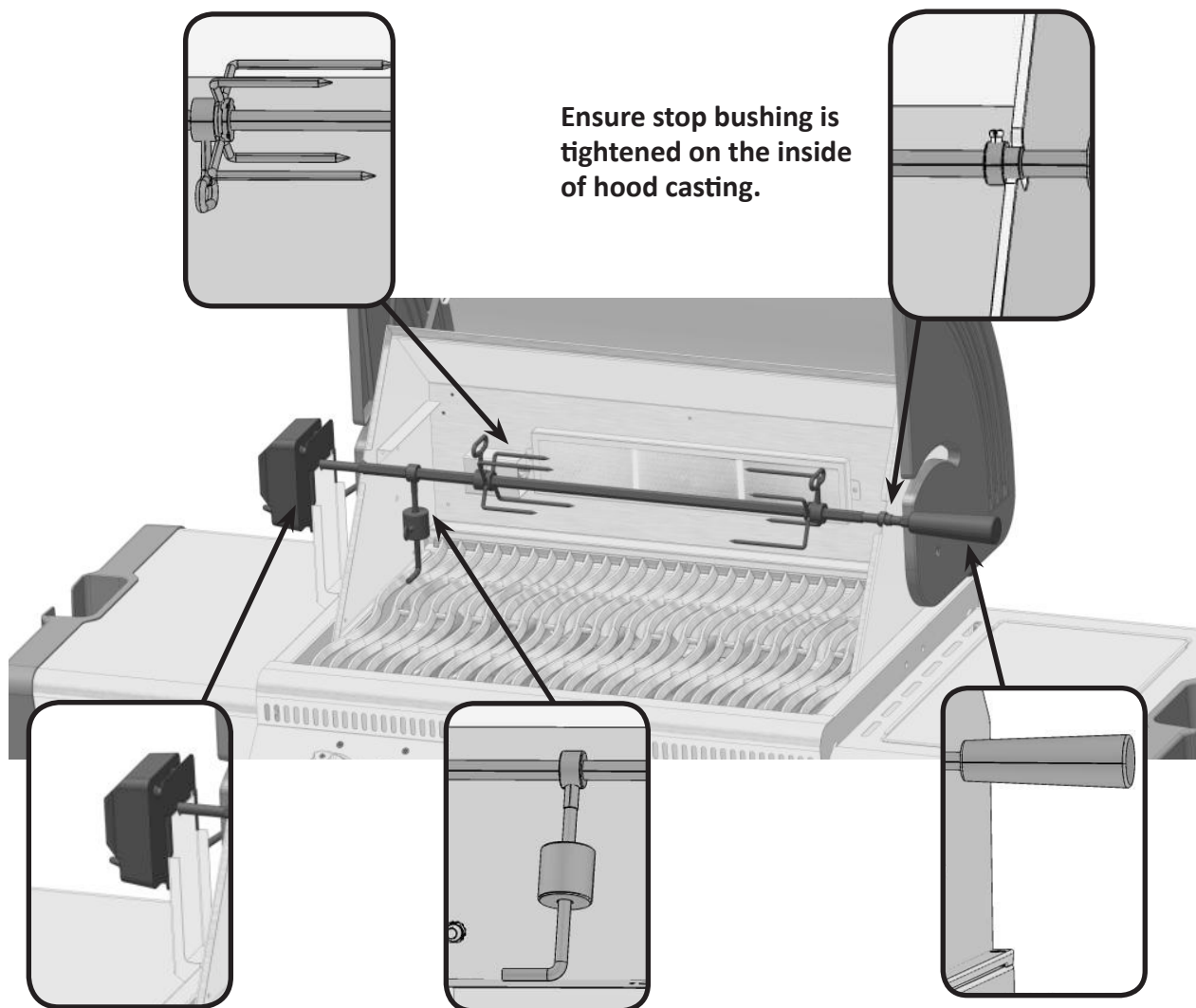
Slide drip pan into rear of base as shown. Ensure dip pan rides along rails on bottom of base.



Rotisserie Kit Assembly Instruction

(optional)

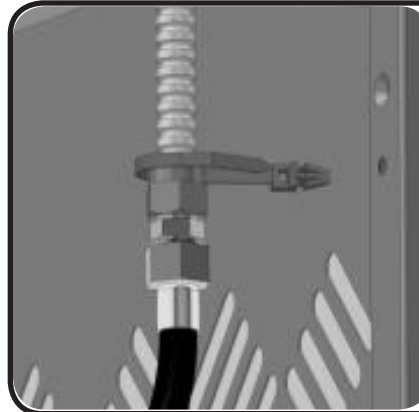
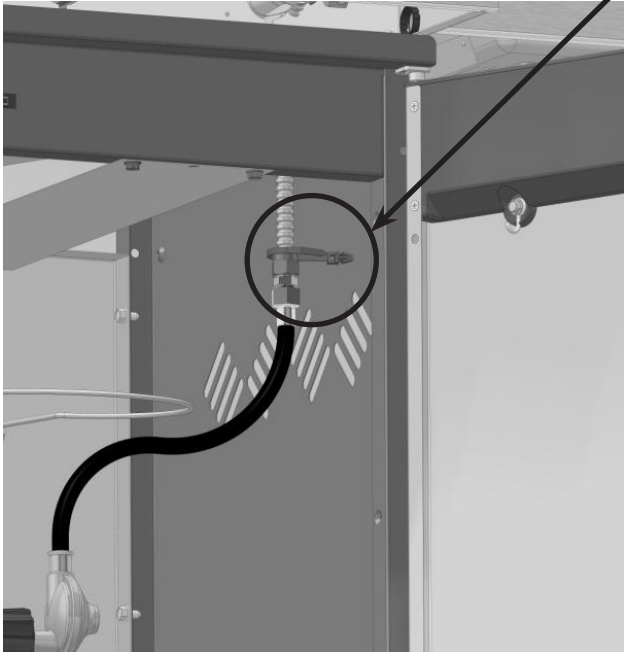
Assemble rotisserie kit components as shown.



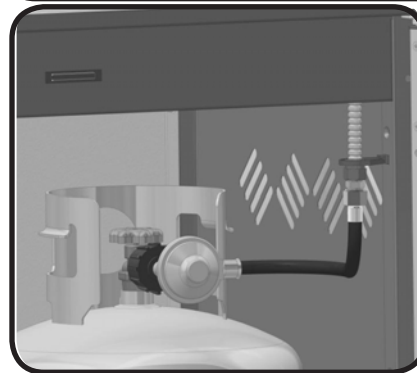
Propane Only – Proper Hose Connection



Ensure the regulator drops into the small opening, between the tank heat shield and the right side of the cabinet.



Clip hose to side panel using hose retainer clip supplied.



Propane Only – Improper Hose Connection



WARNING – FIRE HAZARD

The regulator must be attached so that no part of the hose touches the underside of the grill or drip pan. A fire will result if these directions are ignored.



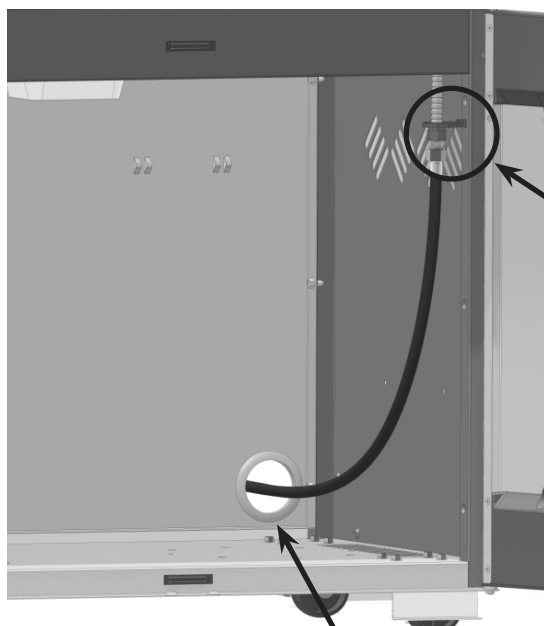
Natural Gas Only – Proper Hose Connection



3/4" (19mm)



WARNING! The installation must be performed by a licensed gas fitter, and all connections must be leak tested before operating the grill. Do not use pipe dope or teflon tape on this connection. Tighten the connection with two wrenches.



Bushing is pre-installed at factory.

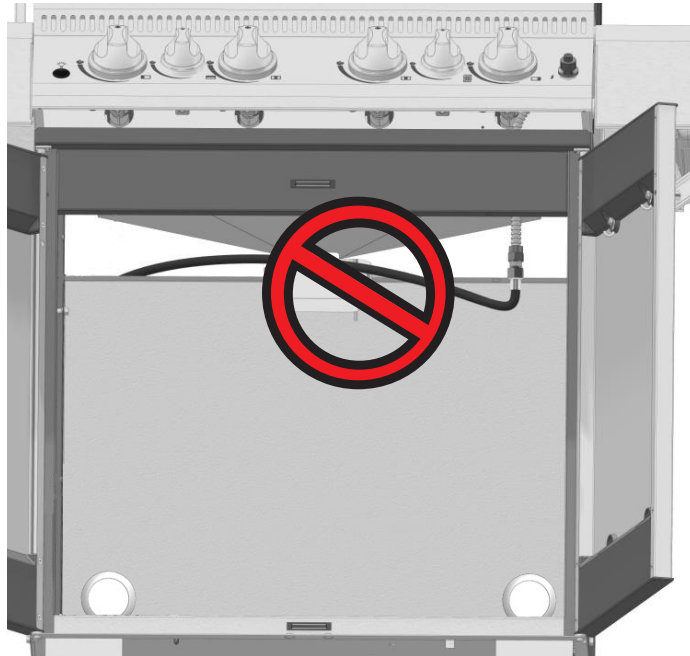
Natural Gas Only – Improper Hose Connection



WARNING – FIRE HAZARD



WARNING! Do not route hose underneath drip pan.



WARNING! Do not route hose over top of rear panel.



WARNING! Ensure the hose does not contact any high temperature surfaces, or it may melt and leak causing a fire.

Leak Testing Instructions



WARNING! A leak test must be performed annually and each time a cylinder is hooked up or if a part of the gas system is replaced.



WARNING! Never use an open flame to check for gas leaks. Be certain no sparks or open flames are in the area while you check for leaks. Sparks or open flames will result in a fire or explosion, damage to property, serious bodily injury, or death.



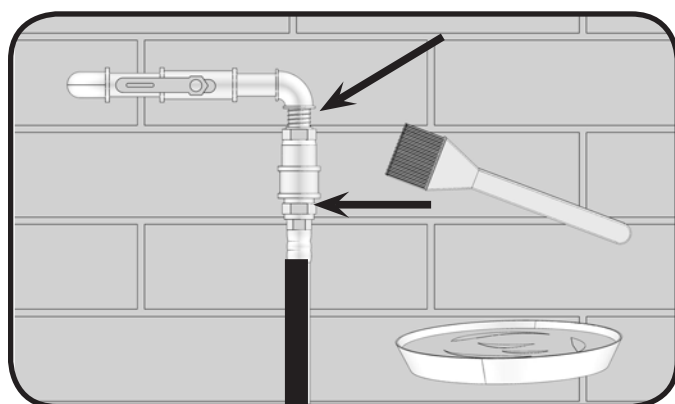
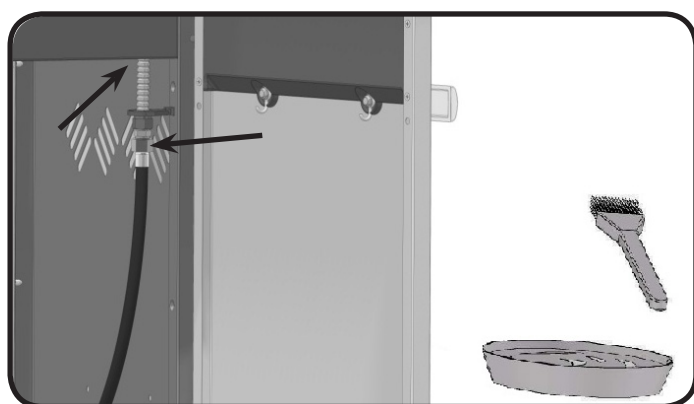
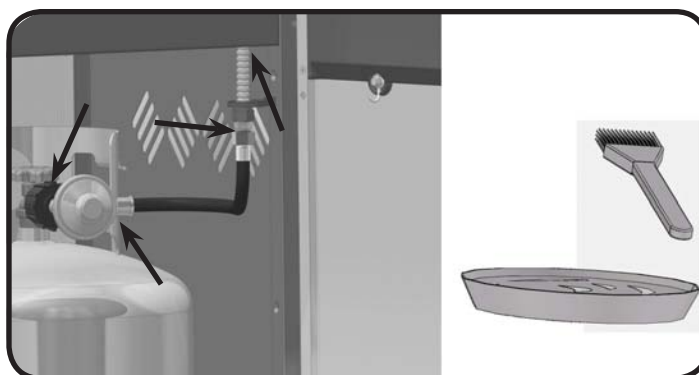
Leak testing: This must be done before initial use, annually, and whenever any gas components are replaced or serviced. Do not smoke while performing this test, and remove all sources of ignition. See Leak Testing Diagram for areas to check. Turn all burner controls to the off position. Turn gas supply valve on.



Brush a half-and-half solution of liquid soap and water onto all joints and connections of the regulator, hose, manifolds and valves.

Bubbles will indicate a gas leak. Either tighten the loose joint or have the part replaced with one recommended by the Napoleon Customer Care department and have the grill inspected by a certified gas installer.

If the leak cannot be stopped, immediately shut off the gas supply, disconnect it, and have the grill inspected by a certified gas installer or dealer. Do not use the grill until the leak has been corrected.



Parts List

Item	Part #	Description	RSIB
1	N135-0042-GY1HT	left side lid casting	x
2	N385-0129	NAPOLEON logo	x
3	W450-0005	logo spring clips	x
4	N510-0010	black silicone lid bumper	x
5	N685-0012-GY	temperature gauge	x
6	N080-0287-GY1HT	lid casting cover	x
7	N335-0042L	stainless steel lid insert	x
8	N570-0024	1/4-20 x 1/2" screw	x
9	N010-0720	lid handle	x
10	N135-0043-GY1HT	right side lid casting	x
11	N570-0015	lid pivot screw	x
12	N010-0565	hood assembly	x
13	N570-0008	#8 x 1/2" screw	x
14	N570-0073	1/4-20 x 3/8" screw	x
15	N735-0003	1/4" lockwasher	x
16	N520-0023	warming rack	x
17	N305-0063	cooking grids - cast iron	x
	N370-0597	cooking grids - wave stainless rod	ac
18	N305-0057-M05	sear plate	x
19	N010-0722	stainless steel side burner shelf - right	x
20	N570-0076	#8 x 1/2" screw	x
21	N570-0082	1/4-20 x 5/8" screw	x
22	N010-0721-M06	stainless steel side shelf - left	x
23	N120-0020-GY0TX	LUXIDIO side shelf end cap	x
24	N200-0090-M06	infra red rear burner cover	x
25	N010-0526P	infra red rear burner	p
	N010-0526N	infra red rear burner	n
	N455-0054	rear burner orifice #59	p
	N455-0053	rear burner orifice #53	n
	N720-0053	rear burner supply tube	x
	N160-0017	clip rear burner tube	x
26	N240-0024P	rear burner electrode c/w pilot	p
	N240-0024N	rear burner electrode c/w pilot	n
27	N080-0206	rear burner electrode cover	x
28	N570-0079	rear burner electrode cover screw	x
	N615-0011	rear burner electrode cover spacer	x
29	N100-0036	main burner	x
30	N080-0281	main burner cross light bracket	x
31	N475-0199-M06	rotisserie mount	x
32	N010-0724	base	x
33	N010-0501-M08	drip pan	x
34	N160-0014	grease tray holder	x
35	N185-0001	replacement grease tray aluminium	x
36	N200-0089P	back cover	x
37	N475-0291CT	control panel	x
38	N380-0011	control knob	x

Parts List

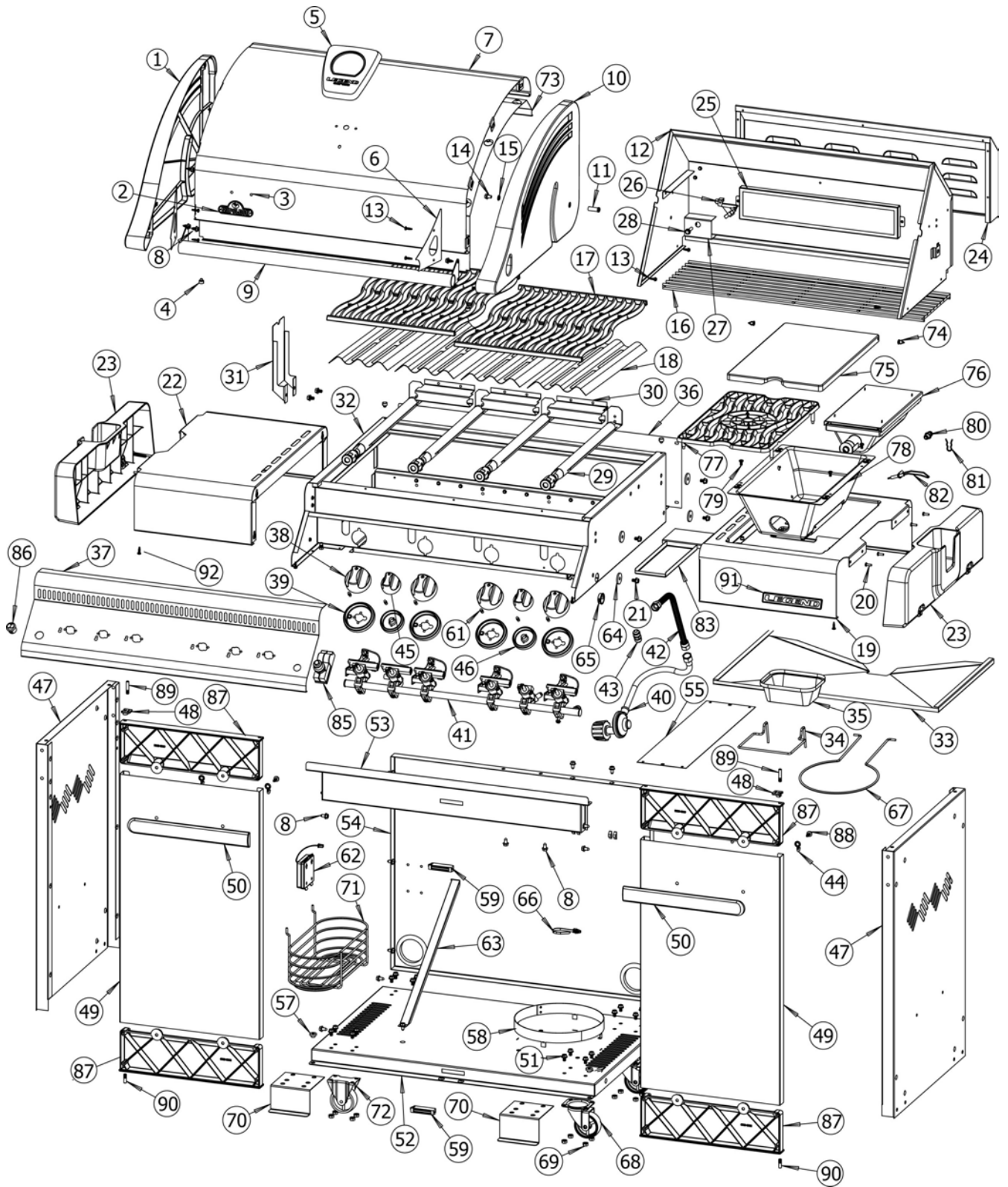
Item	Part #	Description	RSIB
39	N051-0006	control knob bezel	x
40	N530-0003	1-outlet regulator	p
	N345-0001	10ft n/g hose c/w quick disconnect	n
41	N010-0716	manifold assembly c/w valves	p
	N010-0717	manifold assembly c/w valves	n
42	N720-0044	manifold flex connector	x
43	N255-0027	union fitting 3/8" - 3/8"	x
44	N340-0007	tool hook	x
45	N380-0019	control knob	x
	N720-0053	rear burner supply tube	x
46	N051-0008	control knob bezel	x
	N720-0055	side burner supply tube	x
47	N475-0183-GY1SG	left/right side panel cabinet enclosure	x
48	N160-0022	clip door pivot pin	x
49	N475-0293-M06	door panel	x
50	N325-0062	door handle	x
51	N570-0073	1/4-20 x 3/8" screw	x
52	N590-0147-GY1SG	bottom shelf	x
53	N655-0124-GY1SG	front cabinet support	x
54	N475-0271-GY1SG	rear cart panel	x
55	N585-0064P	heat shield	x
56	N105-0013	bushing	x
57	N105-0011	door bushings	x
58	N655-0094P	tank ring support	p
59	N430-0002	magnetic catch	x
	N370-0636	main assembly blister pack	x
61	N750-0021B	wiring harness led	x
62	N190-0001	battery pack	x
	W043-0002	battery "AA"	x
63	N080-0254S	tank inhibitor bracket	p
64	N735-0001	insulated washer	x
65	N105-0001	bushing 7/8"	x
66	N640-0001	hose retainer clip	x
67	N160-0015	propane tank clip	p
68	N130-0012	revolving caster	x
69	N450-0027	locking nut 1/4-20	x
70	N080-0212P	stabilizer brackets	x
71	N590-0164	condiment basket	x
72	N130-0013	non revolving caster	x
73	N585-0078	heat shield lid	x
74	N485-0009	side burner lid clip	x
75	N335-0048-M06	side burner lid	x
76	N010-0612	side burner infra red	x
77	N305-0072	side burner grate	x
78	N010-0618	side burner plate assembly	x
79	N570-0042	10-24 x 3/8" screw	x

Parts List

Item	Part #	Description	RSIB
80	N455-0062	side burner orifice #60	p
	N455-0063	side burner orifice 1.45mm	n
81	N160-0016	side burner hose/orifice retainer clip	x
82	N240-0026	side burner electrode	x
83	N710-0063	side burner drip pan	x
85	N357-0013	side burner igniter	x
	N750-0016	side burner igniter wire	x
86	N660-0002	switch light	x
87	N120-0019-GY0TX	cap door top/bottom	x
88	N570-0099	#14 x 3/4" screw	x
89	N485-0016	door pivot pin top	x
90	N485-0017	door pivot pin bottom	x
91	N385-0226	LEGEND logo	x
92	N570-0013	#8 x 5/8" screw	x
	64485	rotisserie kit	ac
	63489	vinyl cover	ac
	56018	stainless steel griddle	ac
	67730	charcoal tray	ac
	62007	replacement grease trays foil (5 pieces)	ac

p - propane units only n - natural gas units only

x - standard ac - accessory





FAX TO: 705 727 4282

ACCESSORIES & PARTS ORDER FORM

PLEASE PRINT CLEARLY

CONTACT NAME: _____

SHIP TO : _____

TEL : _____

FAX : _____

EMAIL: _____

VISA OR MASTERCARD # : _____ EXPIRY DATE: _____

SIGNATURE: _____

QUANTITY	PART NUMBER	DESCRIPTION

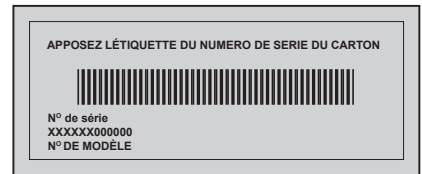
TAXES MAY APPLY
SHIPPING EXTRA

IF CONFIRMATION IS REQUIRED PLEASE INCLUDE A FAX NUMBER OR EMAIL ADDRESS

Ce gril doit être utilisé uniquement à l'extérieur, dans un endroit bien aéré et ne doit jamais être utilisé à l'intérieur d'un bâtiment, d'un garage, un gazebo, une véranda avec paramoustique, ou de tout autre endroit fermé.



LE GRIL DU GOURMET



LD485RSIB



NE PAS RETOURNER PAS À L'ENDROIT DE L'ACHAT. VEUILLEZ CONTACTER LE 1-866-820-8686 POUR DE 'ASSISTANCE. NOUS POUVONS VOUS AIDER POUR TOUTES QUESTIONS CONCERNANT DES PIÈCES MANQUANTES OU ENDOMMAGÉES AINSI QUE DES QUESTIONS À PROPOS DE L'ASSEMBLAGE ET DU FONCTIONNEMENT.



DANGER

SI VOUS DÉTECTEZ UNE ODEUR DE GAZ :

- Fermez l'alimentation en gaz à l'appareil.
- Éteignez toute flamme nue.
- Ouvrez le couvercle.
- Si l'odeur persiste, éloignez-vous de l'appareil et appelez immédiatement votre fournisseur de gaz ou le service des incendies.



AVERTISSEMENT

Ne tentez pas d'allumer cet appareil avant d'avoir lu la section "INSTRUCTIONS D'ALLUMAGE" de ce manuel.

Pour votre sécurité n'entrez pas et n'utilisez pas d'essence ou autres liquides et vapeurs inflammables à proximité de cet ou tout autre appareil. Une bonbonne de propane de propane non branchée ne devrait pas être entreposée à proximité de cet ou de tout autre appareil. Si ces instructions ne sont pas suivies à la lettre, un feu ou une explosion pourraient s'ensuivre, causant des dommages à la propriété, des blessures corporelles ou des pertes de vie.

Note à l'installateur : Laissez ces instructions au propriétaire du gril pour consultation ultérieure.



Napoleon Appliance Corp.,
214 Bayview Dr, Barrie, Ontario, Canada L4N 4Y8 Phone: 1-866-820-8686
Fax: (705)725-2564 email: wecare@napoleonproducts.com web site: www.napoleongrills.com

MERCI D'AVOIR CHOISI NAPOLÉON

Les produits NAPOLÉON sont conçus avec des composants et des matériaux de qualité supérieure, assemblés par des artisans qualifiés qui sont fiers de leur travail. Le brûleur et le montage de la soupape subissent un test de détection de fuites et d'allumage à une station de test de qualité. Ce gril a été soigneusement inspecté par un technicien qualifié avant d'être emballé et expédié pour garantir que vous, le client, recevez le produit de qualité dont vous vous attendez de NAPOLÉON. Chez Napoléon, notre priorité c'est vous, « notre important client ». Notre objectif est de vous fournir les outils nécessaires pour rendre inoubliable cette expérience de cuisson sur le gril. Ce manuel vous est fourni pour vous aider lors de l'assemblage, l'installation et l'entretien de votre nouveau gril. Il est important de lire et de comprendre ce manuel en entier avant d'utiliser votre nouveau gril afin de vous assurer de comprendre parfaitement toutes les consignes de sécurité et toutes les caractéristiques de votre gril. En suivant attentivement les instructions de ce manuel, vous profiterez de votre gril pendant de nombreuses années, et ce, sans tracas. Si nous ne répondons pas à vos attentes pour quelque raison que ce soit, veuillez contacter notre département du service aux consommateurs au 1-877-753-6294 entre 9 h et 17 h (heure normale de l'Est) ou visitez notre site Web.

GARANTIE À LIMITÉE DU PRÉSIDENT DES GRILS À GAZ NAPOLÉON

NAPOLÉON garantit votre nouveau gril à gaz contre tous défauts concernant les matériaux et la fabrication tant et vingt-cinquième année.

Cette garantie couvre : la fonte d'aluminium (excluant la peinture), les plateaux LUXIDIO®, les tablette latérale en acier inoxydable, les brûleurs en acier inoxydable, les appliqués pour couvercle en acier inoxydable et les poignées de couvercle, sous réserve des conditions suivantes. Pendant les cinq premières années, NAPOLÉON fournira gratuitement les pièces de rechange selon son choix. De la sixième année à vingt-cinquième année, NAPOLÉON fournira les pièces de rechange à 50 % du prix de détail courant.

Les composants tels que les plaques de brûleur en acier inoxydable, les grilles de cuisson en acier inoxydable et de fonte grilles de cuisson, soupapes avec système d'allumage intégrées, les jauges de température, les boutons de contrôle, et les brûleurs infrarouges en céramique (à l'exclusion des écrans) et les soupapes en laiton sont couverts et NAPOLÉON fournira les pièces gratuitement durant les deux premières années de la garantie limitée.

Tous les autres composants tels que le régulateur, les roulettes, les grilles de réchaud, les boyaux et les raccords, i-GLOW™, les pièces d'assemblage et les accessoires sont couverts et NAPOLÉON fournira les pièces gratuitement durant la première année de la garantie limitée.

NAPOLÉON n'assumera aucun frais de transport, de main-d'oeuvre ou taxes d'exportation.

Conditions Et Limitations

"NAPOLÉON garantit ses produits contre tous défauts de fabrication à l'acheteur d'origine seulement, là condition que l'achat ait été fait par l'entremise d'un représentant autorisé NAPOLÉON et sous réserve des conditions et limitations suivantes."

Cette garantie d'usine n'est pas transférable et ne peut être prolongée par aucun de nos représentants qu'elle qu'en soit la raison.

Le gril à gaz doit être installé par un installateur ou entrepreneur qualifié. L'installation doit être faite conformément aux instructions d'installation incluses avec le produit et à tous les codes d'incendie et de construction locaux et nationaux.

Cette garantie limitée ne couvre pas les dommages causés par un usage impropre, un manque d'entretien, feux de graisse, un environnement inadéquat, un accident, des modifications, de l'abus ou de la négligence. L'installation de pièces d'autres fabricants annulera cette garantie.

Cette garantie limitée ne couvre pas non plus les éraflures, les bosselures, la corrosion ou la décoloration causés par la chaleur ou les produits d'entretien chimiques et abrasifs ni l'écaillage des pièces de porcelaine émaillée ni les composantes utilisées dans l'installation du gril à gaz.

Dans le cas d'une détérioration des composantes causant un mauvais fonctionnement pendant la période couverte par la garantie, un remplacement part des composantes sera effectué.

Au cours de la première année seulement, cette garantie s'applique à la réparation ou au remplacement des pièces garanties dont les matériaux ou la fabrication sont défectueux à la condition que le produit ait été utilisé conformément aux instructions d'opération et dans des conditions normales.

Après la première année, selon cette Garantie à vie limitée du Président NAPOLÉON peut, à sa discrétion, se libérer complètement de toutes ses obligations en ce qui concerne cette garantie en remboursant à l'acheteur d'origine le prix de gros de toutes pièces garanties qui sont défectueuses.

NAPOLÉON ne sera pas responsable de l'installation, main-d'oeuvre ou autres coûts ou dépenses relatives à la réinstallation d'une pièce garantie car de telles dépenses ne sont pas couvertes par cette garantie.

Nonobstant toutes les dispositions contenues dans cette Garantie à vie limitée du Président, la responsabilité de NAPOLÉON sous cette garantie est définie comme ci-dessus et elle ne s'appliquera à aucun dommage accidentel, consécutif ou indirect.

Cette garantie définit les obligations et responsabilités de NAPOLÉON en ce qui concerne le gril à gaz NAPOLÉON. Tout autre garantie énoncée ou implicite en ce qui concerne ce produit, ses composantes ou accessoires est exclue.

NAPOLÉON n'endosse ni n'autorise aucun tiers à assumer en son nom, tout autre responsabilité concernant la vente de ce produit. NAPOLÉON ne se tiendra pas responsable d'une surchauffe ou d'explosions causées par des conditions environnementales tel que des vents forts ou une ventilation inappropriée.

Tous dommages causés au gril par la température, un usage abusif ou l'utilisation de produits d'entretien chimiques ou abrasifs ne seront pas la responsabilité de NAPOLÉON.

La facture ou une copie sera requise ainsi que le numéro de série et de modèle du gril lors d'une réclamation auprès de NAPOLÉON.

NAPOLÉON se réserve le droit de demander à son représentant d'inspecter tous produits ou pièces avant d'approuver les réclamations.

NAPOLÉON n'assumera aucun frais de transport, de main-d'oeuvre ou taxes d'exportation.



AVERTISSEMENT! Si ces instructions ne sont pas suivies, des dommages matériels, des blessures corporelles ou des pertes de vie pourraient s'ensuivre. Lisez et respectez tous les avertissements et les instructions de ce manuel avant de faire fonctionner le gril.

Pratiques Sécuritaires D'utilisation

- Ce gril à gaz doit être assemblé conformément aux instructions du manuel. Si le gril a été assemblé en magasin, vous devez réviser les instructions d'assemblage afin de confirmer que le gril ait été assemblé correctement et aussi pour effectuer un test de détection de fuite avant d'utiliser le gril.
- Lisez le manuel d'instructions en entier avant d'utiliser le gril.
- Ce gril ne devra être modifié en aucun cas.
- Suivez attentivement les instructions d'allumage lorsque vous faites fonctionner le gril.
- Lorsque le gril n'est pas utilisé, l'alimentation en gaz doit être fermée à la bonbonne de propane ou à la soupape d'alimentation du gaz naturel.
- Tenez les enfants et les animaux éloignés du gril chaud; NE laissez PAS les enfants grimper dans le cabinet.
- Ne laissez pas le gril sans surveillance lorsqu'il est utilisé.
- Ne déplacez pas le gril lorsqu'il est chaud ou qu'il fonctionne.
- Ce gril à gaz ne doit pas être installé dans ou sur des véhicules récréatifs et/ou des bateaux.
- Ce gril doit être utilisé uniquement à l'extérieur, dans un endroit bien aéré et ne doit jamais être utilisé à l'intérieur d'un bâtiment, d'un garage ou de tout autre endroit fermé.
- Respectez les dégagements recommandés aux matériaux combustibles (16" à l'arrière du gril et 7" sur les côtés). Un dégagement plus grand (24") est recommandé à proximité d'un recouvrement de vinyle ou d'une surface vitrée.
- En tout temps, gardez les ouvertures d'aération du cabinet de la bonbonne libres et exemptes de débris.
- Ne fonctionnez pas le gril sous une construction combustible.
- N'installez pas le gril dans un endroit venteux. Les vents forts nuiront à la performance de cuisson de votre gril.
- Lorsque le gril doit être entreposé à l'intérieur, la bonbonne de propane doit être débranchée du gril et entreposée à l'extérieur dans un endroit bien aéré. Les bonbonnes de propane débranchées ne doivent en aucun temps être entreposées à l'intérieur d'un bâtiment, d'un garage ou de tout autre endroit fermé.
- Inspectez le boyau d'alimentation en gaz avant chaque utilisation. S'il montre des signes de fendillement excessif ou d'usure, il doit être remplacé par un ensemble de rechange spécifié par le fabricant avant d'utiliser le gril.
- N'entreposez pas de bonbonne de propane supplémentaire sous ce gril ou à proximité.
- Ne remplissez jamais la bonbonne à plus de 80 % de sa pleine capacité.
- Ne tentez pas d'utiliser une bonbonne qui n'est pas équipée d'un raccord de type QCC1.
- Faites un test de détection de fuites avant la première utilisation, même si le gril a été acheté déjà assemblé, annuellement et à chaque fois qu'une pièce du système de gaz est remplacée.
- N'utilisez pas de gaz naturel avec un appareil conçu pour le propane liquide.
- N'utilisez jamais d'essence pour briquets dans un gril à gaz.
- Utilisez des briquettes de charbon seulement avec un bac à charbon Napoléon conçu pour cet appareil.
- Les boutons de contrôle du brûleur doivent être fermés lorsque vous ouvrez la soupape d'alimentation en gaz.
- N'allumez pas le brûleur avec le couvercle fermé.
- N'utilisez pas le brûleur arrière en même temps que le brûleur principal.
- Le couvercle doit être fermé lors de la période de préchauffage du gril.
- Ne passez pas le boyau d'alimentation sous le tiroir d'égouttement - le dégagement requis entre le boyau et le fond de la cuve doit être maintenu.
- Nettoyez le tiroir d'égouttement et les plaques du brûleur régulièrement pour éviter les feux de graisse.
- Enlever la grille-réchaud avant d'allumer le brûleur arrière. La chaleur intense pourrait l'endommager.
- Assurez-vous que les plaques de brûleur sont installées de façon adéquate, conformément aux instructions d'installation.
- N'utilisez pas les tablettes latérales pour entreposer des briquets, des allumettes ou autres matières inflammables.
- Gardez les boyaux d'alimentation en gaz éloignés des surfaces chauffantes.
- Gardez les fils électriques éloignés de l'eau ou des surfaces chauffantes.
- Inspectez les tubes de venturi des brûleurs infrarouges pour des toiles d'araignées ou toutes autres obstructions régulièrement. Nettoyez les tubes si vous découvrez des obstructions.
- Cet gril de cuisson extérieur au gaz et sa soupape d'arrêt doivent être débranchés de la ligne d'alimentation en gaz pendant les essais de pression de ce système lorsque les pressions d'essai excèdent 1/2 lb/po² (3,5 kPa).
- Cet gril de cuisson extérieur au gaz doit être séparé de la ligne d'alimentation en gaz en fermant la soupape d'arrêt manuelle pendant tout essai de pression du système d'alimentation en gaz lorsque la pression est de 1/2 lb/po² (3,5 kPa) ou moins.

Spécifications De La Bonbonne / Branchement Du Gaz

CE GRIL À GAZ EST CERTIFIÉ SELON LES NORMES NATIONALES CANADIENNES ET AMÉRICAINES, CAN/CSA-1.6-2005 ET ANSI Z21.58 -2005 POUR LES GRILS À GAZ EXTÉRIEURS ET SON INSTALLATION DOIT ÊTRE CONFORME AUX CODES LOCAUX. En l'absence de codes locaux, l'installation doit être conforme au Code d'installation du gaz CAN/CGA-B149.1 au Canada ou au National Fuel Gas Code, NFPA54/ANSI Z223.1 aux États-Unis.

Si un moteur de rôtissoire est utilisé, il doit être mis à la terre conformément aux codes locaux. En l'absence de tels codes, conformément à la version courante du CODE ÉLECTRIQUE CANADIEN CSA C22.1 au Canada ou le NATIONAL ELECTRICAL CODE ANSI/NFPA 70 aux États-Unis.

Proposition 65 De La Californie : La combustion des gaz crée des sous-produits. Parmi ces derniers, certains se trouvent sur la liste des substances qui, selon l'État de la Californie, peuvent causer le cancer ou des dommages liés à la reproduction. Lorsque vous cuisinez avec le gaz, assurez-vous qu'il y ait une aération suffisante pour l'appareil afin de réduire l'exposition à ces substances.

Spécifications Pour La Bonbonne De Propane



AVERTISSEMENT! Si ces instructions ne sont pas suivies à la lettre, un incendie pourrait s'ensuivre, causant des blessures graves ou la mort.

Une bonbonne bosselée ou rouillée peut être dangereuse et devrait être vérifiée par votre fournisseur de propane. N'utilisez jamais une bonbonne avec une soupape endommagée. Utilisez uniquement une bonbonne de propane fabriquée et étiquetée selon les normes pour les bonbonnes de propane de la Commission canadienne des Transports (CCT) ou du US Department of Transportation (DOT). Cet appareil a été conçu pour être utilisé avec une bonbonne de propane de 20 livres (9,1 kg) uniquement (non fournie).

La bonbonne de propane doit être équipée d'une soupape d'arrêt se raccordant à une soupape de type QCC1. Une valve de sécurité doit être branchée directement sur la bonbonne. Le système d'alimentation de la bonbonne doit être installé de manière à permettre l'évacuation des vapeurs et doit avoir un collet pour protéger la soupape de la bonbonne. La bonbonne doit être munie d'un dispositif de détection de trop-plein certifié.

Installation De La Bonbonne De Propane

Branchement De La Bonbonne : Assurez-vous que le boyau du régulateur de gaz est sans anomalie. Enlevez le bouchon sur la soupape de gaz à la bonbonne. Branchez le régulateur QCC1 sur la soupape de gaz QCC1. Serrez à la main dans le sens des aiguilles d'une montre. N'utilisez pas d'outils. Faites un test de détection de fuites sur tous les raccords avant d'utiliser le gril. Un test de détection de fuites doit être fait annuellement et à chaque fois qu'une bonbonne est branchée ou qu'une pièce du système de gaz est remplacée.

- Vérifiez que la soupape de la bonbonne est fermée en tournant la poignée dans le sens des aiguilles d'une montre.
- Vérifiez que les boutons de contrôle des brûleurs du gril sont en position fermée.
- Ouvrez les portes du cabinet.
- Placez la bonbonne dans le support, au bas de la tablette.
- Placez la bonbonne de façon à ce que la soupape soit orientée vers l'avant de l'appareil.
- Attachez le boyau du régulateur.



AVERTISSEMENT! Utilisez uniquement le régulateur de pression et les boyaux fournis avec ce gril. Les régulateurs de pression et les boyaux de rechange doivent être ceux recommandés par le fabricant. N'entrez pas de bonbonne de propane ou de bonbonne de rechange sur l'étagère sous le gril. Le régulateur doit être fixé de façon à ce qu'aucune partie du tuyau ne touche le dessous du gril ou du tiroir d'égouttement. Si vous ne suivez pas ces instructions à la lettre, un feu en résultera.

Le régulateur fournit une pression de 11 pouces de colonne d'eau au gril. Le gril possède un raccord de type QCC1. Les bonbonnes utilisées avec ce gril doivent être munies d'une soupape QCC1. Une soupape QCC1 possède un raccord qui empêche l'écoulement du gaz jusqu'à ce qu'un joint étanche soit obtenu. Elle est aussi équipée d'un dispositif de contrôle d'écoulement du gaz. Afin d'obtenir un débit maximal de gaz, les soupapes du gril doivent être fermées lorsque vous ouvrez la soupape de la bonbonne.

Branchement Au Gaz Naturel

Ce gril à gaz naturel est équipé d'un boyau d'alimentation de 10 pieds (incluant un système de déconnexion rapide) conçu pour un branchement au gaz naturel et certifié pour une utilisation extérieure. Ce gril à gaz a été conçu pour fonctionner à une pression d'alimentation de 7 pouces de colonne d'eau. Les tuyaux et les soupapes en amont du système de déconnexion rapide ne sont pas fournis. L'installation doit être conforme à la norme CAN B149.1 du Code d'installation du gaz naturel et du propane au Canada, ou à la norme ANSI Z223.1 du National Fuel Gas Code aux États-Unis. Vous devez avoir une pipe de conducteur hors du quat d'adé de gaz pour fournir ce gril le gaz de BTU/h indiqué sur la plaque de contrôle, basée sur la longueur de la course de tuyauterie.

Le système de déconnexion rapide ne doit pas être installé verticalement et une soupape d'arrêt manuelle, facilement accessible, doit être installée en amont, aussi près que possible du système de déconnexion rapide. Le bout évasé du tuyau doit être raccordé au raccord à l'extrémité du tube flexible tel qu'illustré dans le schéma de branchement du tuyau de gaz naturel. Serrez en utilisant deux clés. (N'utilisez pas d'enduits d'étanchéité pour raccords filetés ou de composé pour raccord de tuyau.) Ces branchements doivent être effectués par un installateur de gaz qualifié. Faites un test de détection de fuites sur tous les raccords avant d'utiliser le gril.



AVERTISSEMENT!

- L'installation doit être effectuée par un installateur certifié pour le gaz et tous les raccordements doivent être testés pour des fuites avant de faire fonctionner le gril.
- Ne pas passer le tuyau d'alimentation sous le tiroir d'égouttement.
- Ne passez pas le boyau entre l'espace dans la tablette inférieure et le panneau arrière.
- N'acheminez pas le boyau par-dessus le panneau arrière.
- Assurez-vous que tous les raccordements de boyaux sont serrés à l'aide de deux clés. N'utilisez pas de ruban de Téflon ou de composé pour raccord de tuyau sur les raccordements.
- Assurez-vous que le boyau ne touche à aucune surface à haute température sinon il risque de fondre, de provoquer une fuite et causer un feu.
- Vérifiez pour des fuites de gaz en appliquant une solution d'eau savonneuse selon les instructions de détection de fuites dans de manuel.
- Ne rangez pas le surplus de boyau dans le cabinet, il y a un plus grand risque que le boyau fasse contact avec une surface chaude, le boyau peut fondre et une fuite peut se produire, causant ainsi un feu.

Test De Détection De Fuites



AVERTISSEMENT! Il doit être fait avant la première utilisation, annuellement et à chaque fois qu'une pièce du système de gaz est remplacée ou réparée



AVERTISSEMENT! N'utilisez pas une flamme nue pour vérifier pour des fuites de gaz. Assurez-vous qu'il n'y ait aucune étincelle ni flamme nue à proximité de l'endroit à vérifier. Les étincelles ou les flammes nues provoqueront un feu ou une explosion, causant des dommages matériels, des blessures graves ou des pertes de vie.



Test De Fuites: Il doit être fait avant la première utilisation, annuellement et à chaque fois qu'une pièce du système de gaz est remplacée ou réparée. Ne fumez pas et enlevez toutes sources d'allumage lorsque vous faites ce test. Consultez le schéma de test de fuites pour voir les endroits à tester.

1 - Fermez tous les boutons des brûleurs. Ouvrez la soupape de la bonbonne.

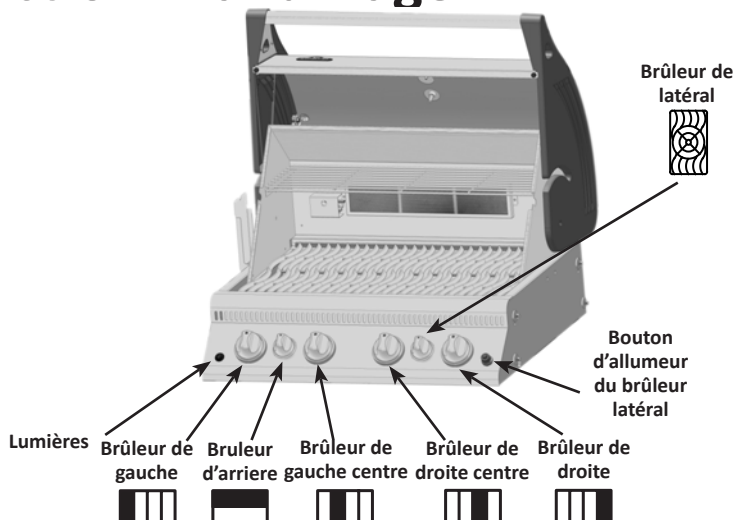
2 - Appliquez une solution de deux parts égales de savon liquide et d'eau sur tous les joints du régulateur, le tuyau et ses raccords.

3 - Des bulles indiqueront une fuite de gaz. Resserrez le joint ou remplacez la pièce avec une autre recommandée par le détaillant.

4 - Si la fuite ne peut être réparée, fermez l'alimentation de gaz à la bonbonne, enlevez-la et faites inspecter votre gril par votre fournisseur de gaz ou détaillant. N'utilisez pas l'appareil jusqu'à ce que la fuite soit réparée.

5 - Fermez la soupape de la bonbonne.

Instruction D'allumage



AVERTISSEMENT! Ouvrez le couvercle.

Fermez

AVERTISSEMENT! Assurez-vous que tous les boutons de contrôle sont à « off ».

Ouvrez ensuite la soupape d'alimentation en gaz.



Allumage Du Brûleur Principal	Allumage Du Brûleur Rotissérie	Allumage Du Brûleur Latéral (si équipé)
1. Ouvrez le couvercle.	1. Ouvrez le couvercle.	1. Ouvrez le couvercle du brûleur latéral.
2. Enfoncez et tournez lentement l'un des boutons de contrôle du brûleur principal à la position « hi ». Ceci allumera la veilleuse, qui allumera à son tour le brûleur choisi. Si la veilleuse s'allume, maintenez enfoncé le bouton de contrôle jusqu'à ce que le brûleur s'allume, puis relâchez-le.	2. Enlevez la grille de réchaud.	2. Tournez le bouton de contrôle du brûleur latéral sur "high".
3. Si la veilleuse ne s'allume pas, tournez immédiatement le bouton de contrôle en position « off » et répétez l'étape 2 plusieurs fois.	3. Appuyez et tournez lentement le bouton de contrôle du brûleur rotissérie à 'hi'. Ceci allumera la veilleuse qui allumera ensuite le brûleur. Si la veilleuse s'allume, continuez de garder le bouton de contrôle enfoncé jusqu'à ce que le brûleur s'allume puis relâchez-le.	3. Poussez et tenir la bouton d'allumeur, ou allumez avec une allumette.
4. Si la veilleuse ou le brûleur ne s'allument pas après 5 secondes, tournez le bouton de contrôle en position « off » et attendez 5 minutes pour que le gaz en excès puisse se dissiper. Ensuite, répétez les étapes 2 et 3 ou allumez avec une allumette.	4. Si la veilleuse ne s'allume pas, tournez immédiatement le bouton de contrôle à 'off' puis répétez l'étape 3 à plusieurs reprises.	4. Si le brûleur ne s'allume pas après 5 secondes, tournez le bouton de contrôle en position « off » et attendez 5 minutes pour que le gaz en excès puisse se dissiper. Ensuite, répétez les étapes 2 et 3 ou allumez avec une allumette.
5. Si vous allumez l'appareil avec une allumette, fixez-la dans la tige d'allumage fournie. Tenez l'allumette allumée et abaissez-la dans le gril jusqu'en dessous des plaques de brûleur et tournez la soupape du brûleur correspondant à "HIGH".	5. Si la veilleuse et brûleur ne s'allument pas en moins de 5 secondes, tournez le bouton de contrôle à 'off' et attendez 5 minutes pour permettre au surplus de gaz de se dissiper. Répétez les étapes 3 et 4 ou allumez avec une allumette.	



AVERTISSEMENT! La bonbonne est équipée d'un dispositif de contrôle d'écoulement du gaz. À moins que tous les boutons de contrôle des brûleurs soient fermés avant d'ouvrir la bonbonne, seules de petites flammes seront obtenues.



AVERTISSEMENT! Ne pas utiliser le brûleur arrière pendant que le brûleur principal est en marche.

Instructions D'opération

Éclairage initial: Lorsqu'il est allumé pour la première fois, le gril dégagera une légère odeur. Ceci est un phénomène normal et temporaire causé par l'évaporation des peintures et lubrifiants internes utilisés dans le processus de fabrication et ne se reproduira plus. Allumez simplement les brûleurs de cuve à "high" pendant une demi-heure.

Utilisation Du Brûleur Principal: Avant de cuire les aliments il est recommandé de préchauffer le gril à "high" avec le couvercle fermé pendant environ 10 minutes. Les aliments à cuisson courte (poisson, légumes) peuvent être grillés avec le couvercle ouvert. Une cuisson avec le couvercle fermé procurera des températures plus élevées et plus constantes qui réduiront la période de cuisson et cuiront la viande de façon plus égale. Les aliments qui requièrent un temps de cuisson de plus de 30 minutes, tels que les rôtis, peuvent être cuits en utilisant la méthode indirecte (avec le brûleur allumé du côté opposé à l'emplacement de la viande). Lorsque vous faites cuire des viandes très maigres, comme une poitrine de poulet ou du porc maigre, il est à conseiller de huiler les grilles de cuisson avant le préchauffage ce qui aura pour effet d'empêcher la viande de trop coller aux grilles. Le fait de cuire de la viande avec beaucoup de gras, peut causer des flambées soudaines. Il suffit alors d'enlever le gras avant la cuisson ou de réduire la température pour remédier à ce problème. En cas de flambées, éloignez les aliments de la flamme et réduisez la température. Gardez le couvercle ouvert. Pour des instructions plus détaillées, veuillez consulter le "Livre de recettes toutes saisons" de NAPOLEON.

Cuisson Directe: Placez les aliments à cuire sur la grille de cuisson, directement au-dessus de la chaleur. Cette méthode est habituellement utilisée pour faire saisir les aliments ou pour la nourriture nécessitant une courte cuisson - les hamburgers, les steaks, le poulet, les légumes, etc. La nourriture est d'abord saisie afin d'emprisonner les jus et la saveur, puis la température est réduite afin de terminer la cuisson selon vos préférences.

Cuisson Indirecte: Avec un ou plusieurs brûleurs en fonction, placez la nourriture à cuire sur la grille au-dessus d'un brûleur inactif. La chaleur circule autour de l'aliment, ce qui le fait cuire lentement et de façon égale. Ce type de cuisson ressemble à la cuisson dans un four et est généralement utilisé pour les plus grosses pièces de viande telles que les rôtis, les poulets ou les dindes, mais il peut aussi être utilisé pour cuire la nourriture ayant tendance à produire des poussées de flamme. Ce type de cuisson diminuera la température; le ralentissement de la cuisson donnera une viande plus tendre à chaque fois.

Utilisation Du Brûleur Arrière: (si équipé) Enlevez la grille-réchaud avant de l'allumer, La chaleur intense pourrait l'endommager. Les grilles de cuisson doivent également être enlevées si elles interfèrent avec l'utilisation de la rôtissoire. Le brûleur arrière est conçu pour être utilisé avec l'ensemble de rôtissoire. Consultez les instructions de montage de l'ensemble rôtissoire pour plus de détails.

Pour placer le contre-poids au bon endroit enlevez le moteur de la rôtissoire de son support. Placez la broche qui supporte la viande sur les deux supports à l'intérieur du gril. Le morceau de viande se placera naturellement avec son côté le plus pesant vers le bas. Fixez le contre-poids en place en plaçant le bras vers le haut. Vous devez ensuite glisser le poids vers le haut ou vers le bas afin de contrebalancer le poids de la viande puis serrez-le en place. Remplacez le moteur et commencez la cuisson. Placez la lèchefrite sous la viande pour récupérer le jus de cuisson qui servira pour arroser la viande et créer ainsi une délicieuse sauce naturelle. On peut également ajouter un peu d'eau si nécessaire pour favoriser l'arrosage. Afin de capturer le jus à l'intérieur de la viande, réglez le brûleur arrière à "high" jusqu'au brunissement puis, réduisez ensuite la chaleur pour une cuisson complète. Gardez le couvercle fermé pour obtenir de meilleurs résultats. Vos rôtis et volailles seront parfaitement dorés à l'extérieur tout en restant tendres et juteux à l'intérieur. Par exemple, un poulet de 3 livres sur la rôtissoire sera cuit dans approximativement 1h30 à une température entre moyenne et haute. Consultez votre "Livre de recettes toutes saisons" de NAPOLEON pour de plus amples informations.



AVERTISSEMENT! La sauce BBQ et le sel sont corrosifs et causeront une détérioration rapide des composantes de votre gril à gaz à moins de les nettoyer régulièrement. Une fois la cuisson terminée, démontez les composantes de la rôtissoire, lavez-les bien à l'eau chaude savonneuse et rangez-les à l'intérieur.

Utilisation Du Brûleur De Lateral Infrarouge: (si équipé) Le gril à gaz devrait être situé de telle sorte que le brûleur latéral soit protégé du vent, car ce dernier nuira à la performance de cuisson de votre gril.

Le brûleur latéral est muni d'une grille de cuisson qui peut être installée à deux niveaux différents. Le niveau inférieur peut être utilisé comme une cuisinière pour préparer de la soupe, des sauces, etc. Le niveau supérieur est utilisé pour saisir les aliments (voir les instructions sur le couvercle du brûleur latéral).



AVERTISSEMENT! Ne fermez pas le couvercle du brûleur latéral pendant que celui-ci fonctionne ou est chaud.

AVERTISSEMENT! N'ajustez pas la grille de cuisson lorsqu'elle est chaude ou que le brûleur fonctionne.

AVERTISSEMENT! N'utilisez PAS le brûleur latéral pour faire frire la nourriture, car le fait de cuire avec de l'huile peut créer une situation dangereuse.

1. Faites fonctionner à « high » pendant 5 minutes avec le couvercle ouvert ou jusqu'à ce que les brûleurs en céramique deviennent incandescents.

2. Placez les aliments sur les grilles de cuisson et faites saisir pendant environ 2 minutes par côté.
3. Au choix, continuez de cuire par-dessus les brûleurs infrarouges à « high », « medium » ou « low », en tournant souvent les aliments, ou placez les aliments sur la surface de cuisson principale, fermez le couvercle et laissez la température de convection terminer la cuisson de vos aliments plus lentement.

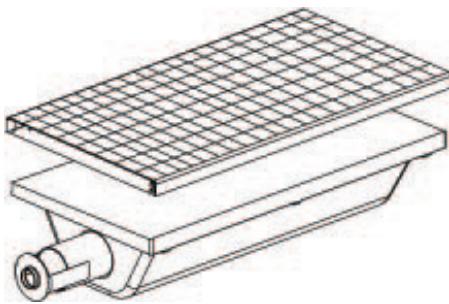


AVERTISSEMENT! Dû à la chaleur intense produite pour le brûleur infrarouge, les aliments qui sont laissés sur les brûleurs sans surveillance brûleront rapidement. Gardez le couvercle ouvert lorsque vous faites fonctionner le brûleur infrarouge à "high". La chaleur intense vous assure des températures adéquates de rayonnement même lorsque le couvercle est ouvert. Ceci vous permettra de surveiller les aliments afin de prévenir qu'ils brûlent.

Protection Des Brûleurs Infrarouges: Les brûleurs infrarouges de votre gril sont conçus pour durer longtemps. Cependant, vous devez respecter certaines consignes pour éviter que leur surface en céramique ne se fissure, ce qui causerait leur mauvais fonctionnement.

- Empêchez tout contact direct de l'eau avec votre brûleur en céramique.
- Ne laissez pas d'objets durs cogner le brûleur infrarouge.
- Empêchez tout contact de l'eau froide (pluie, arroseur, boyau, etc.) avec les brûleurs en céramique lorsqu'ils sont chauds. Une grande différence de température peut causer des fissures dans la tuile de céramique.
- Gardez le couvercle fermé lorsque le brûleur latéral n'est pas en usage.
- Après la cuisson fonctionner le brûleur à puissance maximale pendant 5 minutes, afin de brûler toute la graisse et les débris.

Les dommages causés par le non respect de ces étapes ne sont pas couverts par la garantie du gril.



Écrans de rechange N565-0002

Chaleur Infrarouge

La plupart des gens ne réalisent pas que la source de chaleur qui nous est la plus familière et que le soleil émet pour réchauffer la planète est l'énergie infrarouge. L'énergie infrarouge est une forme d'énergie électromagnétique dont la longueur d'onde est tout juste plus grande que la lumière rouge visible du spectre lumineux mais plus petite que les ondes radios. Cette forme d'énergie fut découverte en 1800 par Sir William Herschel qui fit passer la lumière du soleil à travers un prisme qui divisa la lumière en ses composants du spectre lumineux. Il démontra que la plus forte concentration de chaleur qui émanait des rayons provenait de la région du spectre lumineux juste au-dessus du rouge, où aucune lumière n'était visible. C'est cela l'énergie infrarouge. La plupart des matériaux absorbent facilement l'énergie infrarouge sous un large spectre de longueur d'onde, causant une augmentation de température des matériaux. C'est le même phénomène qui se produit lorsque nous ressentons de la chaleur durant une exposition au soleil. Les rayons infrarouges du soleil voyagent dans l'espace, pénètrent l'atmosphère et notre peau. Ceci provoque une augmentation de l'activité moléculaire de la peau, créant des frictions internes et générant de la chaleur, nous permettant de ressentir de la chaleur.

Les aliments cuits au-dessus des sources de chaleur infrarouges sont réchauffés selon le même principe. Le charbon de bois est la méthode traditionnelle de cuisson à l'infrarouge dont nous sommes les plus familiers. Les briquettes incandescentes émettent de l'énergie infrarouge à l'aliment qui se fait cuire et ce, avec très peu d'assèchement. Les jus de cuisson ou les graisses qui s'échappent des aliments dégouttent sur le charbon de bois et se vaporisent en fumée, donnant ainsi aux aliments leur goût savoureux. Les brûleurs infrarouges de Napoléon fonctionnent de la même façon. Dans chaque brûleur, 10 000 orifices possédant chacun leur flamme rendent la surface de la céramique incandescente. Cette incandescence émet le même type de chaleur infrarouge sans le souci du charbon de bois qui est souvent malpropre. Il procure aussi une chaleur plus uniforme qui est plus facile à contrôler que celle du charbon de bois. Pour saisir les aliments, les brûleurs peuvent être réglés à "high" et être ensuite réglés plus bas pour une cuisson plus lente. Nous savons combien cela est difficile avec le charbon de bois. Les brûleurs traditionnels au gaz réchauffent les aliments d'une façon différente. L'air entourant le brûleur est réchauffé par le processus de combustion et s'élève ensuite vers les aliments à cuire. Cette méthode génère des températures plus basses qui sont idéales pour les aliments plus fragiles tels que les fruits de mer et les légumes. En conclusion, les brûleurs infrarouges de Napoléon produisent un rayonnement intense qui vous donnera des steaks, des hamburgers et des viandes qui seront plus juteux et plus savoureux. Pour connaître les temps de cuisson et certains conseils, consultez le tableau de cuisson à l'infrarouge.

Tableau de cuisson à l'infrarouge

Aliment	Réglage Des Contrôles	Temps De Cuisson	Conseils Pratiques
Steak 1" d'épaisseur	Réglage à "high" 2 min chaque côté Réglage à "high" 2 min chaque côté ensuite réglage à "medium" Réglage à "high" 2 min chaque côté ensuite réglage à "medium"	4 min - Saignant 6 min - À point 8 min - Bien cuit	Lorsque vous choisissez votre viande, demandez une viande qui est marbrée. Le gras de la viande agira comme un élément attendrissant durant la cuisson et gardera la viande plus juteuse.
Hambourgeois 1/2" d'épaisseur	Réglage à "high" 2 min chaque côté Réglage à "high" 2 1/2 min chaque côté Réglage à "high" 3 min chaque côté	4 min - Saignant 5 min - À point 6 min - Bien cuit	Pour terminer la cuisson de vos hambourgeois tous en même temps, nous vous conseillons de varier l'épaisseur de vos boulettes. Pour ajouter une saveur exotique à votre viande, ajoutez des copeaux de bois à saveur de hickory dans une pipe à boucane de Napoléon.
Morceaux de poulet	Réglage à "high" 2 min chaque côté ensuite réglage de "medium-low" à "low"	20-25 min	L'articulation qui retient le pilon à la cuisse doit être coupée au 3/4 à partir du côté sans peau afin de permettre à la viande d'être plus à plat sur la grille de cuisson. Ceci permettra à la viande de cuire de façon plus uniforme et plus rapidement. Pour ajouter une touche personnelle à votre poulet, ajoutez des copeaux de bois à saveur de mesquite dans une pipe à boucane de Napoléon.
Côtelettes de porc	Medium"	6 min chaque côté	Coupez l'excès de gras avant de faire cuire. Choisissez des côtelettes de porc plus épaisses pour obtenir une viande plus tendre.
Côtes	Réglage à "high" pendant 5 minutes ensuite réglage à "low" pour terminer la cuisson	20 min chaque côté tournez souvent	Choisissez des côtes bien charnues et maigres. Grillez jusqu'à ce que la viande se détache facilement des os.
Côtelettes d'agneau	Réglage à "high" pendant 5 minutes ensuite réglage à "medium" pour terminer la cuisson	15 min chaque côté	Coupez l'excès de gras avant de faire cuire. Choisissez des côtelettes très épaisses pour obtenir une viande plus tendre.
Saucisses	"Medium" - "low"	4-6 min	Choisissez des saucisses plus grosses. Faites une entaille dans la peau, sur la longueur de la saucisse avant de faire griller.

Instructions D'entretien et de Nettoyage

Nous vous conseillons de faire inspecter ce gril à gaz annuellement par un technicien de service qualifié.

L'emplacement du gril à gaz doit être gardé libre de tous matériaux combustibles, essence ou autres liquides et vapeurs inflammables en tout temps. Les apports d'air comburant et d'air de ventilation ne doivent pas être obstrués. Les ouvertures d'aération du compartiment de la bonbonne (situées sur les côtés du chariot, et à l'avant et à l'arrière de la tablette inférieure) doivent être libres de débris en tout temps.



AVERTISSEMENT! Portez toujours des gants protecteurs et des lunettes de sécurité lorsque vous l'entretien votre gril.

AVERTISSEMENT! Assurez-vous que les brûleurs sont éteints avant de nettoyer. Éviter tout contact avec les surfaces chaudes. Nettoyez votre gril dans un endroit où les produits de nettoyage n'endommageront pas votre patio, terrain ou terrasse. N'utilisez pas de produit de nettoyage à fourneau pour nettoyer votre gril. La sauce BBQ et le sel sont très corrosifs et causeront une détérioration très rapide de votre gril à moins que vous ne fassiez un nettoyage régulier.

Note : L'acier inoxydable a tendance à s'oxyder ou à tacher en présence de chlorures et de sulfures que l'on retrouve particulièrement dans les zones côtières ainsi que dans les environnements chauds et humides tels que les piscines et les spas. Ces taches peuvent être prises pour de la rouille mais il peuvent être facilement enlevées et même évitées. Afin de prévenir les taches, nettoyez toutes les surfaces en acier inoxydable à toutes les trois à quatre semaines ou au besoin avec de l'eau douce et un nettoyant à acier inoxydable.



AVERTISSEMENT! Fermez le gaz à la source et débranchez l'appareil avant l'entretien. L'entretien devrait être effectué seulement lorsque le gril est froid pour éviter toutes possibilités de brûlure. Un test de détection de fuites devrait être effectué annuellement ou à chaque fois qu'une composante de gaz est remplacée.

Ajustement De L'air De Combustion (ceci doit être effectué par un installateur qualifié): Le volet d'air est réglé à l'usine et ne devrait pas avoir besoin normalement d'être ajusté. Cependant dans des conditions exceptionnelles un ajustement peut être requis. Lorsque le volet d'air est bien ajusté, les flammes seront bleues foncées avec des pointes bleues pâles ou quelques fois jaunes.

- Si le brûleur ne reçoit pas assez d'air, les flammes seront jaunes pâles et produiront possiblement de la suie.
- Si le brûleur reçoit trop d'air, les flammes scintilleront de façon erratique et causeront possiblement des problèmes d'allumage.

Pour ajuster le volet d'air:

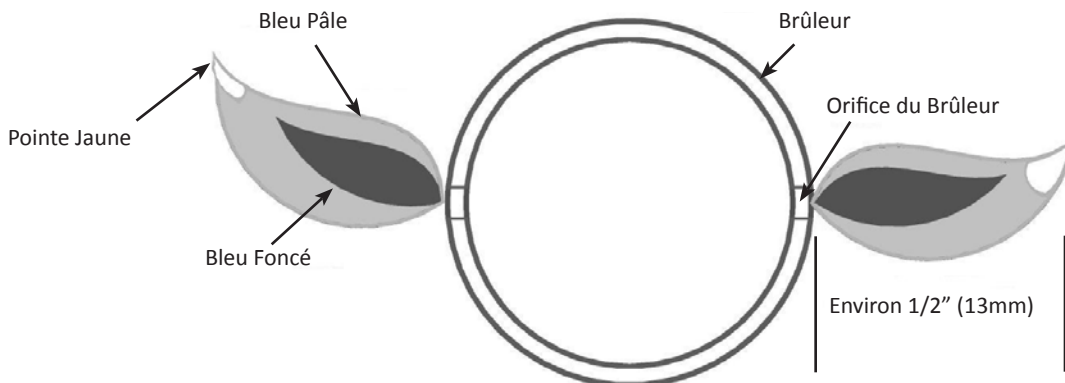
1, Enlevez les grilles de cuisson, les plaques de brûleur et laissez le couvercle ouvert. Il sera peut-être nécessaire d'ouvrir la porte ou retirer le tiroir du haut pour accéder (si équipé) à la vis du volet d'air.

2, Desserrez la vis de verrouillage du volet d'air et ouvrez ou fermez le volet d'air selon le cas. Les ajustements normaux sont:

Brûleur tube principal	Propane	5/32" (5mm)
	Gaz naturel	5/32" (3mm)

*Les brûleurs infrarouges n'ont pas de réglage de volet d'air.

3, Allumez les brûleurs et positionnez-les à "high". Inspectez visuellement les flammes. Lorsque les volets sont ajustés, éteignez les brûleurs, serrez la vis de verrouillage et remplacez les pièces qui avaient été enlevées. Assurez-vous que les petits grillages contre les insectes sont installés.



Grilles de cuisson et grille de réchaud : Les grilles de cuisson et la grille de réchaud sont plus faciles à nettoyer durant la période de préchauffage en utilisant une brosse en laiton. Une laine d'acier peut être utilisée pour les taches les plus tenaces. Il est normal que les grilles de cuisson en acier inoxydable (s'il y a lieu) décolorent de façon permanente à l'usage en raison des températures élevées de la surface de cuisson.

Grilles de cuisson en fonte : Les grilles de cuisson en fonte incluses avec votre nouveau gril offrent une rétention et une distribution supérieures de la chaleur. En huilant vos grilles de cuisson, vous vous trouvez à ajouter une couche de protection qui aidera les grilles à mieux résister contre la corrosion et à augmenter les caractéristiques antiadhésives.

Première utilisation : Nettoyez les grilles de cuisson à la main avec un savon à vaisselle doux et de l'eau afin d'enlever tout résidu provenant du procédé de fabrication (ne jamais laver au lave-vaisselle). Rincez bien avec de l'eau chaude et séchez complètement avec un linge doux. Ceci est important pour éviter que de l'humidité pénètre la fonte.

Entretien : À l'aide d'un linge doux, appliquez une couche de SHORTENING VÉGÉTAL sur toute la surface de la grille en vous assurant de couvrir toutes les encoches et les coins. N'utilisez pas de corps gras salés comme du beurre ou de la margarine. Préchauffez votre gril pendant 15 minutes, puis placez les grilles de cuisson dans le gril. Tournez les boutons de commande à feu moyen puis fermez le couvercle. Laissez les grilles de cuisson chauffer environ une demi-heure. Éteignez le brûleur et fermez l'alimentation en gaz à la source. Laissez refroidir les grilles de cuisson. Cette procédure devrait être répétée plusieurs fois durant la saison, bien qu'elle ne soit pas requise à chaque utilisation du gril (suivez la procédure d'utilisation quotidienne ci-dessous).

Utilisation quotidienne : Avant de préchauffer et de nettoyer avec une brosse en laiton, appliquez une couche de SHORTENING VÉGÉTAL sur toute la surface des grilles. Préchauffez le gril et enlevez tous les résidus avec une brosse en laiton.

Grilles de cuisson en acier inoxydable : (ensemble de remplacement disponible – consulter la liste des pièces de rechange). Les grilles de cuisson en acier inoxydable sont durables et à l'épreuve de la corrosion. Elles nécessitent moins d'entretien que les grilles de cuisson en fonte. Nous vous recommandons de suivre la procédure d'utilisation quotidienne décrite plus haut, bien que le préchauffage et le nettoyage avec une brosse en laiton puissent s'avérer suffisants pour vos besoins.

Nettoyage Du Panneau De Contrôle : Le texte sur le panneau de contrôle est imprimé directement sur l'acier inoxydable. Avec un entretien adéquat, le texte demeurera toujours foncé et lisible. N'utilisez pas de détergents abrasifs (Ajax, Vim, Old Dutch etc.) pour nettoyer les surfaces en acier inoxydable, spécialement la partie imprimée du panneau de contrôle. Le texte disparaîtra graduellement si vous utilisez ces produits. Utilisez seulement le nettoyant d'acier inoxydable Napoléon, disponible chez votre détaillant Napoléon.

Nettoyage De L'intérieur Du Gril : Enlevez les grilles de cuisson. Utilisez une brosse en laiton pour enlever les débris non-incrustés sur les côtés de la cuve et à l'intérieur du couvercle. Grattez les plaques de brûleur avec un couteau à mastic ou un grattoir puis utilisez une brosse en laiton pour enlever la suie. Enlevez les plaques de brûleur et nettoyez les débris sur le brûleur à l'aide de la brosse. Nettoyez tous les débris qui se trouvent à l'intérieur du gril en les faisant tomber dans le tiroir d'égouttement. Le tiroir d'égouttement devrait être gratté à l'aide d'un couteau à mastic ou d'un grattoir en jetant les débris dans le récipient à graisse jetable. Le récipient jetable devrait être remplacé entre deux et quatre semaines selon la fréquence d'utilisation du gril. Pour vous procurer des récipients de rechange informez-vous à votre représentant. Assurez-vous de replacer les plaques de brûleur dans la bonne position. (Consultez les instructions de montage si nécessaire pour un positionnement correct).

Tiroir d'égouttement : L'accumulation de graisse peut créer un risque de feu. Nettoyez le tiroir d'égouttement fréquemment (à toutes les 4 ou 5 utilisations ou au besoin) afin d'éviter une accumulation de graisse. La graisse et les jus de cuisson tombent dans le tiroir d'égouttement qui se trouve sous la cuve du gril et s'accumulent dans le récipient à graisse jetable qui se situe sous le tiroir d'égouttement. Pour accéder au récipient à graisse jetable ou pour nettoyer le tiroir d'égouttement, glissez ce dernier hors du gril. Ne tapissez jamais votre tiroir d'égouttement de papier d'aluminium, de sable ou de tout autre matériau, car ceci aurait pour effet de nuire au bon écoulement de la graisse. Le tiroir d'égouttement devrait être gratté à l'aide d'un couteau à mastic ou d'un grattoir. Remplacez le récipient à graisse jetable toutes les deux à quatre semaines selon la fréquence d'utilisation du gril. Pour vous procurer des récipients de rechange, consultez votre détaillant de gril Napoléon.

Nettoyage De L'extérieur Du Gril : N'utilisez pas de produits abrasifs pour nettoyer les pièces peintes, de fini porcelaine ou en acier inoxydable. Les éléments en porcelaine émaillée doivent être manipulés avec soin. Le fini émaillée étant cuit il devient comme du verre; il s'ébrêchera au moindre choc. Vous pouvez vous procurer de la peinture émaillée pour les retouches chez votre détaillant NAPOLEON. Utilisez une solution d'eau savonneuse chaude pour nettoyer l'extérieur du gril pendant qu'il est encore tiède au toucher. Pour nettoyer les surfaces en acier inoxydable utilisez un produit de nettoyage à acier inoxydable ou un produit de nettoyage tout usage sans abrasif. Frottez toujours dans le sens du grain. N'utilisez pas de laine d'acier car elle égratignerait le fini. Les pièces en acier inoxydable vont décolorer sous l'effet de la chaleur pour habituellement prendre une couleur dorée ou brune. Cette décoloration est normale et n'affectera pas la performance du gril.



AVERTISSEMENT! Boyau: Vérifiez l'usure, coupures, craquelures ou s'il est fondu. Si vous découvrez une de ces déficiences, n'utilisez pas votre gril. Faites remplacer la pièce par votre détaillant NAPOLEON ou par un installateur qualifié.

Brûleur De Cuve : Le brûleur soyez fabriqué en acier inoxydable 304 de calibre épais, mais puisqu'il est soumis à des chaleurs extrêmes et à un environnement corrosif, la corrosion superficielle finit par survenir. Utilisez une brosse en laiton pour enlever la corrosion superficielle. Nettoyez tous les orifices obstrués à l'aide d'un trombone déplié. N'agrandissez pas les orifices du brûleur.

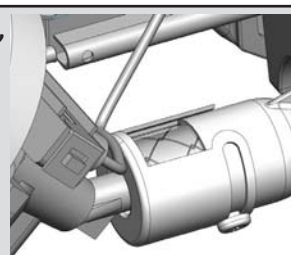


ATTENTION! AUX ARAIGNÉES

Les araignées et les insectes sont attirés par l'odeur du propane et du gaz naturel. Le brûleur est équipé d'un protecteur contre les insectes sur les venturis, ce qui réduira la possibilité que des insectes fassent leur nid à l'intérieur du brûleur, mais il n'élimine pas complètement le problème. Le nid ou la toile aura pour effet que le brûleur produira une flamme lâche de couleur jaune ou orange, ou causera un feu (retour de flamme) au niveau du venturi sous le panneau de contrôle. Pour nettoyer l'intérieur du brûleur vous devez le retirer du gril. Enlevez la vis située au centre de chaque brûleur. Soulevez l'arrière du brûleur pour enlever. Utilisez une brosse flexible de tube de venturi pour nettoyer l'intérieur du brûleur. Faites sortir tous les débris qui se trouvent à l'intérieur du brûleur en le brossant. En raison des débris de cuisson et de la corrosion, les orifices de brûleur peuvent se boucher avec le temps. Nettoyez les orifices bouchés à l'aide de ce foret inséré dans une petite perceuse sans fil. Les orifices du brûleur peuvent être nettoyés si le brûleur est en place. Toutefois, le nettoyage sera plus facile si le brûleur est retiré du gril. Ne pliez pas le foret en nettoyant les orifices, car le foret casserait. Ce foret doit être utilisé pour les orifices de brûleur seulement. Ne l'utilisez pas pour les orifices en laiton (jets) qui servent à régulariser le débit vers le brûleur.



AVERTISSEMENT! Lors de la réinstallation du brûleur après le nettoyage, il est très important que la soupape / l'orifice entre dans le brûleur avant que vous allumiez votre gril à gaz. Si la soupape n'est pas à l'intérieur du brûleur, un feu ou une explosion pourrait survenir.



Guide De Dépannage

Problème	Causes possibles	Solutions
Faible chaleur/petite flamme lorsque le bouton de contrôle est à « high ».	Pour le propane - procédure d'allumage incorrecte. Pour le gaz naturel - tuyau d'alimentation trop petit. Pour les deux sortes de gaz - mauvais préchauffage.	Assurez-vous que la procédure d'allumage est suivie à la lettre. Tous les boutons de contrôle du gril doivent être fermés lorsque vous ouvrez la soupape de la bonbonne. Tournez la soupape de la bonbonne lentement pour assurer l'équilibre de la pression. Voir les instructions d'allumage. La grosseur du tuyau doit être conforme au code d'installation. Préchauffez le gril en allumant les brûleurs de cuve à « high » pendant 5 à 10 minutes.
Poussées de flamme excessives/chaleur inégale.	Plaques de brûleur mal installées. Mauvais préchauffage. Accumulation excessive de graisse et de cendres sur les plaques de brûleur et dans le tiroir d'égouttement.	Assurez-vous que les plaques sont installées avec les trous vers l'avant et les fentes en dessous. Voir les instructions d'assemblage. Préchauffez le gril en allumant les brûleurs de cuve à « high » pendant 5 à 10 minutes. Nettoyez les plaques de brûleur et le tiroir d'égouttement régulièrement. Ne tapissez pas le tiroir d'égouttement avec du papier d'aluminium ou tout autre matériau. Consultez les instructions de nettoyage.
Les flammes produites par les brûleurs sont jaunes et vous détectez une odeur de gaz.	Possibilité de toiles d'araignées ou autres débris, ou d'un mauvais ajustement des volets d'air.	Retirez le brûleur et nettoyez-le complètement. Consultez les instructions d'entretien. Ouvrez légèrement les volets d'air tout en vous conformant aux instructions de réglage des volets d'air. (ceci doit être effectué par un installateur de gaz qualifié)

Problème	Causes possibles	Solutions
Les flammes se détachent du brûleur, accompagnées d'une odeur de gaz et possiblement une difficulté d'allumage.	Mauvais ajustement des volets d'air.	Fermez légèrement les volets d'air tout en vous conformant aux instructions de réglage des volets d'air. (ceci doit être effectué par un installateur de gaz qualifié)
Le régulateur murmure lorsque l'appareil fonctionne.	Problème normal par temps chaud.	Ceci n'est pas un défaut. Le murmure est causé par une vibration à l'intérieur du régulateur et n'affecte en rien la performance et la sécurité du gril à gaz. Les régulateurs émettant un murmure ne seront pas remplacés.
Les brûleurs ne s'allument pas les uns aux autres.	Les orifices sont bouchés à l'arrière du brûleur.	Nettoyez les orifices du brûleur. Consultez les instructions d'entretien.
La peinture semble peler à l'intérieur du couvercle ou de la hotte.	Accumulation de graisse sur les surfaces internes.	Ceci n'est pas un défaut. Le fini du couvercle et de la hotte est en acier inoxydable et ne pèlera pas. Le pelage est causé par la graisse qui durcit et sèche comme des éclats de peinture qui pèlent. Un nettoyage régulier préviendra ce problème. Consultez les instructions de nettoyage.
Le brûleur infrarouge produit des retours de flamme (pendant qu'il fonctionne, le brûleur fait subitement un bruit qui s'apparente à un "whoosh", suivi d'un bruit continu semblable à une lampe à souder et qui diminue en intensité.	<p>Les tuiles de céramique sont surchargées de graisse de cuisson et d'accumulations, les orifices sont obstrués.</p> <p>Le brûleur a surchauffé dû à une ventilation inadéquate (trop grande surface de cuisson recouverte par des plaques de cuisson ou des plateaux).</p> <p>Des tuiles de céramique sont fissurées.</p> <p>Le joint d'étanchéité autour de la céramique n'est plus étanche, ou une soudure dans le boîtier du brûleur est cassée.</p>	<p>Fermez le brûleur et laissez-le refroidir pendant au moins deux minutes. Réallumez le brûleur et réglez-le à "high" pendant au moins cinq minutes ou jusqu'à ce que les tuiles deviennent uniformément incandescentes.</p> <p>Ne recouvrez pas plus que 75 % de la surface de cuisson avec des objets ou des accessoires. Fermez le brûleur et laissez-le refroidir pendant au moins deux minutes puis réallumez-le.</p> <p>Laissez le brûleur refroidir puis vérifiez de près pour des fissures. Si vous détectez des fissures, commandez un brûleur de rechange auprès de votre détaillant autorisé Napoléon.</p> <p>Contactez votre détaillant autorisé Napoléon pour obtenir des instructions sur l'achat d'un brûleur de rechange.</p>

GARDEZ VOTRE REÇU COMME PREUVE D'ACHAT POUR VALIDER VOTRE

Commande De Pièces De Rechange

Information Sur La Garantie

MODÈLE: _____

DATE D'ACHAT: _____

NUMÉRO DE SÉRIE: _____

(Inscrivez l'information ici pour y avoir accès facilement.)

Avant de contacter le département du service aux consommateurs, consultez le site Web de NAC pour obtenir plus d'instructions sur le nettoyage, l'entretien, le dépannage et le remplacement des pièces à www.napoleongrills.com. Contactez le fabricant directement pour obtenir des pièces de rechange et faire des réclamations au titre de la garantie. Le département du service aux consommateurs est à votre disposition entre 9 h et 17 h (heure normale de l'Est) au 1-866-820-8686 ou par télécopieur au 705-727-4282. Pour qu'une réclamation soit traitée, l'information suivante est nécessaire:

1. Modèle et numéro de série de l'appareil.
2. Numéro de la pièce et description.
3. Description concise du problème (« brisé » n'est pas suffisant).
4. Preuve d'achat (copie de la facture).

Dans certains cas, le département du service aux consommateurs peut demander de retourner la pièce pour des fins d'inspection avant de fournir une pièce de rechange. Les pièces doivent être expédiées port payé à l'attention du département du service aux consommateurs avec l'information suivante :

1. Modèle et numéro de série de l'appareil.
2. Description concise du problème (« brisé » n'est pas suffisant).
3. Preuve d'achat (copie de la facture).
4. Numéro d'autorisation de retour - fourni par le représentant du département du service aux consommateurs.

Avant de contacter le service aux consommateurs, veuillez prendre note que les items suivants ne sont pas couverts par la garantie:

- coûts de transport, de courtage et frais d'exportation;
- coûts de main-d'oeuvre pour l'enlèvement et l'installation de la pièce;
- coûts des appels de service pour diagnostiquer le problème;
- décoloration des pièces en acier inoxydable;
- bris des pièces causé par un manque d'entretien et de nettoyage, ou par l'utilisation de nettoyeurs inappropriés (nettoyant à fourneau).



ATTENTION! Lors du déballage et de l'assemblage, nous vous conseillons de porter des gants de travail et des lunettes de sécurité pour votre protection. Malgré tous nos efforts pour assurer que l'assemblage soit aussi sécuritaire et sans problème que possible, il se peut que les bords et les coins des pièces usinées en acier soient coupants et qu'ils causent des coupures si les pièces ne sont pas manipulées correctement.

Pour Commencer

1. Retirez tous les panneaux, le matériel et le gril du carton d'emballage. Soulevez le couvercle et enlevez les composants qui se trouvent à l'intérieur. Servez-vous de la liste de pièces pour vous assurer que toutes les pièces nécessaires sont incluses.
2. Ne détruisez pas l'emballage jusqu'à ce que le gril ait été complètement assemblé et qu'il fonctionne à votre satisfaction.
3. Assemblez le gril là où il sera utilisé et posez un carton ou une serviette afin d'éviter de perdre ou d'endommager les pièces lors de l'assemblage.
4. **La plupart des pièces en acier inoxydable possèdent un revêtement de plastique protecteur qui doit être enlevé avant d'utiliser le gril.**
5. Suivez toutes les instructions dans l'ordre donné dans ce manuel.



Deux personnes sont requises pour soulever la cuve de gril et la placer sur le chariot assemblé.

Si vous avez des questions à propos de l'assemblage ou du fonctionnement du gril, ou si des pièces sont manquantes ou endommagées, veuillez appeler notre département du Service aux Consommateurs au 1-866-820-8686 entre 9 h et 17 h (heure normale de l'Est).

OUTILS REQUIS POUR L'ASSEMBLAGE (outils non inclus)

Tournevis ou clé,
 cliquet de 3/8
 (10mm)



Tournevis plat et
 phillips



Pinces



Marteau

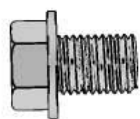
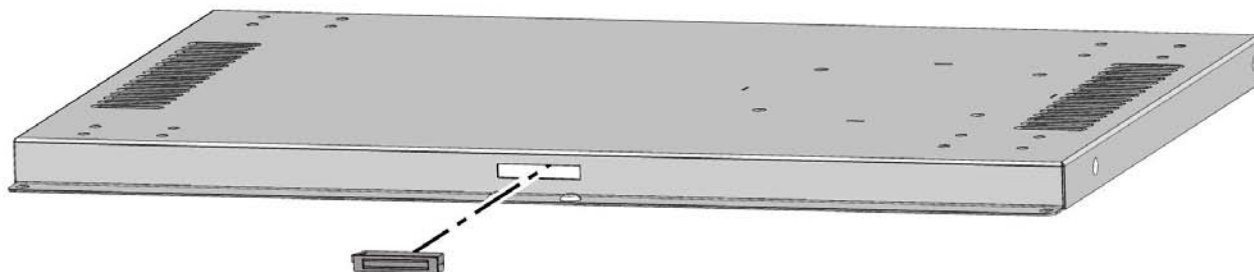




1 x N430-0002

1. Installation de l'aimant

Poussez l'aimant dans la fente à l'avant de la tablette du bas, jusqu'à ce que vous entendiez un déclic.



16 x N570-0073 (1/4-20 X 3/8")



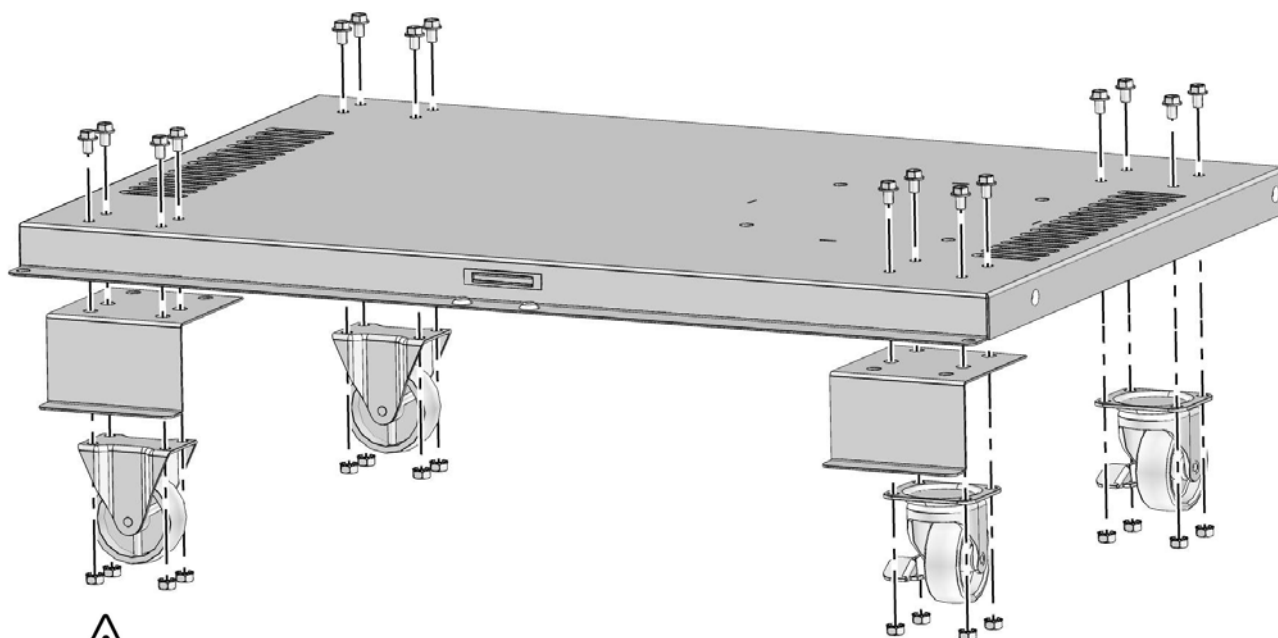
16 x N450-0027 (1/4-20)



3/8"(10mm) 7/16"(11mm)

2. Installation des roulettes / support

Fixez les supports sous les roulettes avant tel. Attachez les quatre (4) roulettes dans les trous en utilisant quatre (4) vis de 1/4 - 20 X 3/8" et quatre (4) contre-écrous de 1/4-20 pour chaque roulette. Serrez fermement.

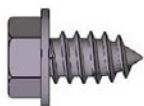
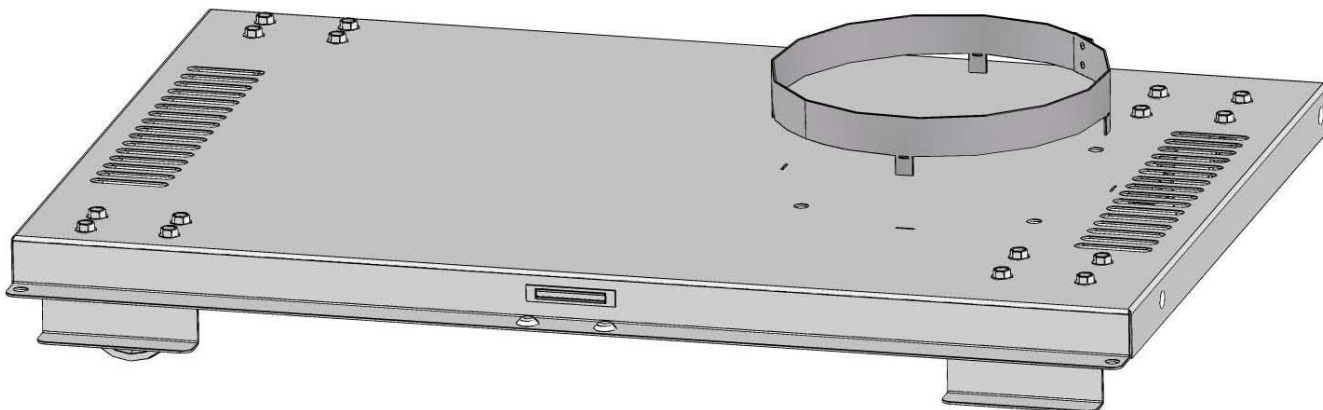


roulette non tournant - gauche côté

Propane Seulement

3. Installation de l'anneau de la bonbonne de propane

Insérez l'anneau de la bonbonne de propane dans les fentes de la tablette du bas comme illustré. Repliez les languettes pour fixer en place.



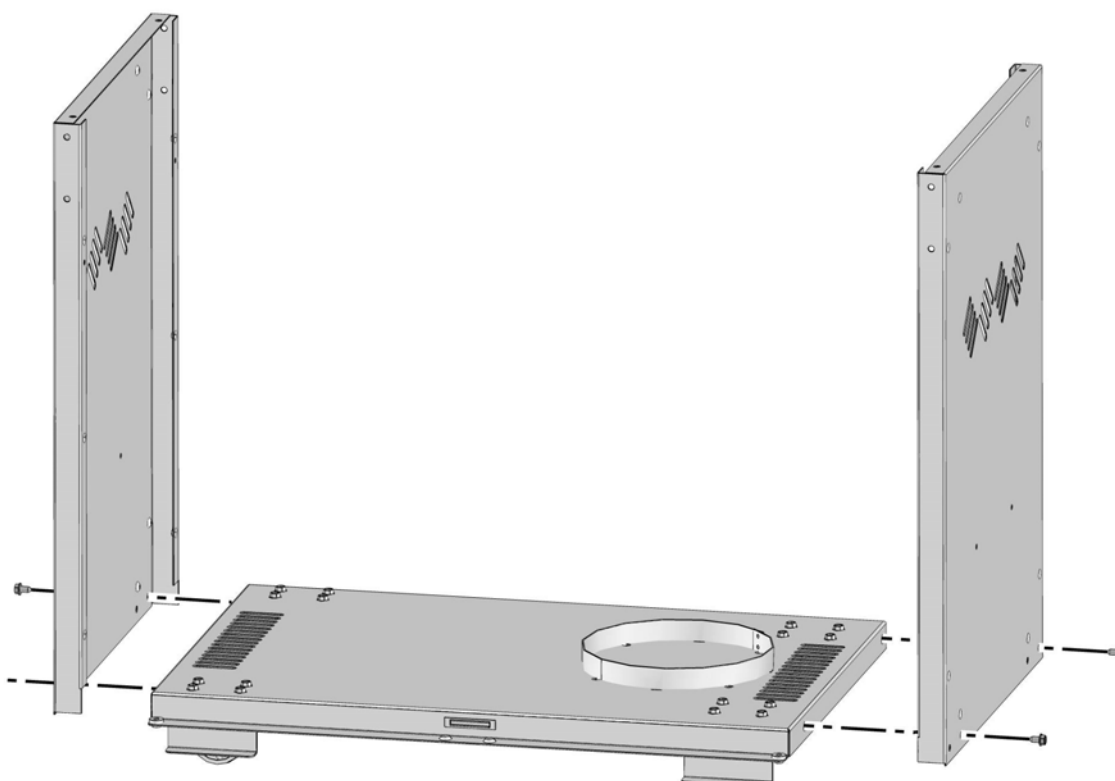
4 x N570-0080 (#14 x 1/2")

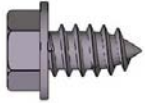


3/8" (10mm)

4. Installation des panneaux de gauche et de droite du chariot

Installez les panneaux du chariot en vous assurant que les fentes du panneau sont situées en haut. Appuyez les panneaux contre la tablette du bas et alignez les trous. Fixez en utilisant quatre (4) vis #14 x 1/2".





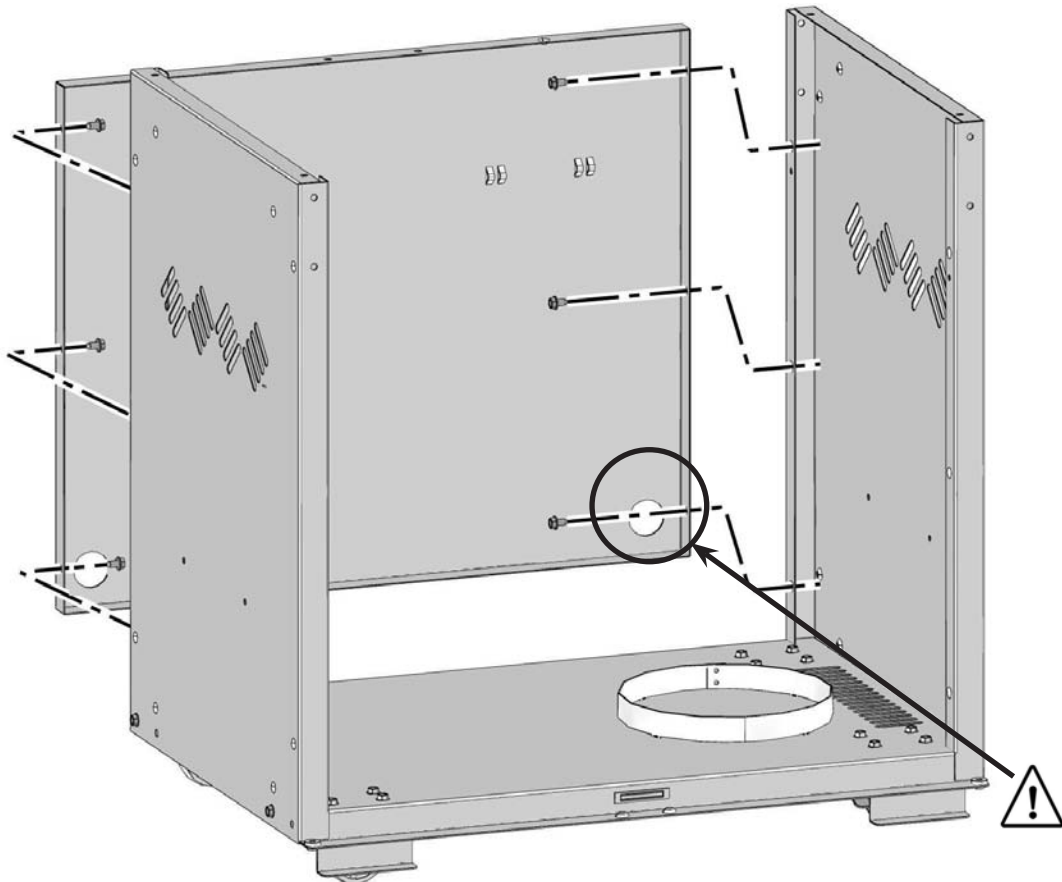
6 x N570-0080 (#14 x 1/2")

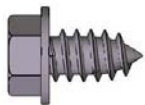


3/8" (10mm)

5. Installation du panneau arrière du chariot

Placez le panneau arrière du chariot entre les deux panneaux latéraux en vous assurant que le plus gros trou du panneau se situe dans le coin inférieur droit comme illustré. Fixez en utilisant six (6) vis #14 x 1/2", trois de chaque côté.





1 x N570-0080 (#14 x 1/2")

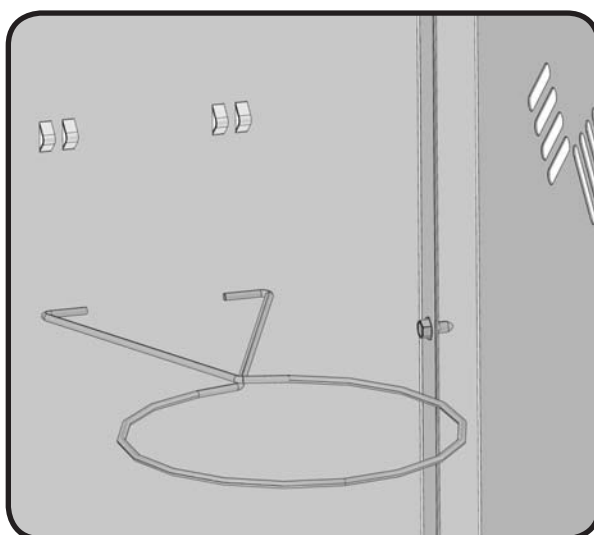
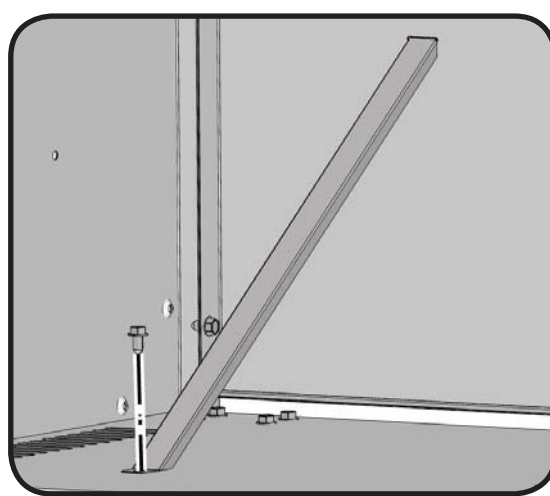
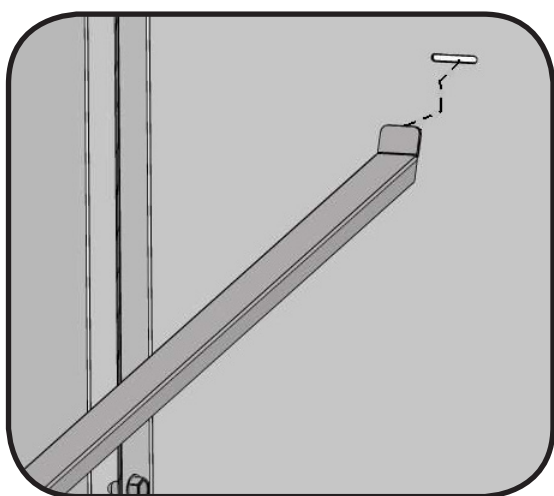


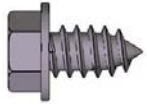
3/8" (10mm)

6. Tige restrictive de bonbonne / Support supérieur de la bonbonne de propane

Insérez la tige restrictive de bonbonne dans la fente du panneau arrière comme illustré. Fixez l'autre extrémité au panneau inférieur à l'aide d'une vis #14 x 1/2". Fixez le support supérieur de la bonbonne de propane dans les fentes du panneau arrière. Insérez une extrémité à la fois, en pliant légèrement le fil métallique. (Lorsqu'il n'est pas utilisé, le support de la bonbonne reposera à plat contre le panneau arrière.)

Propane Seulement





4 x N570-0080 (#14 x 1/2")



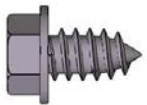
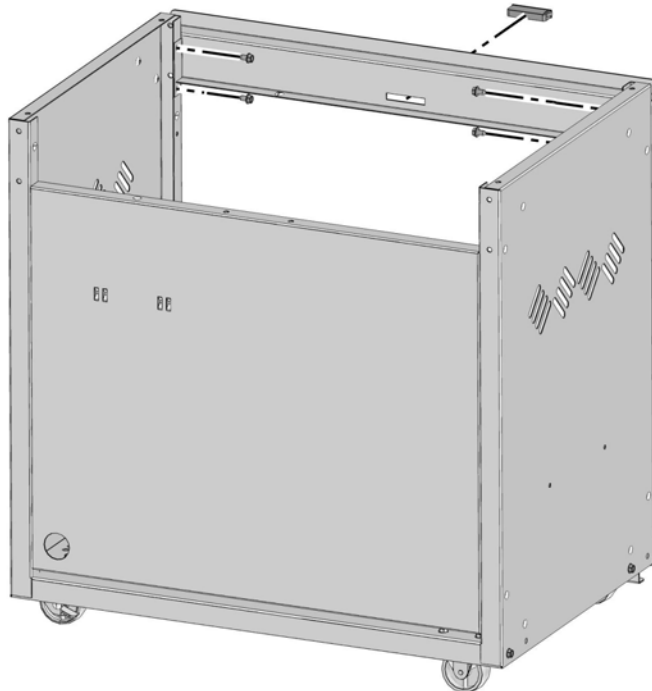
1 X N430-0002



3/8" (10mm)

7. Installation du support avant du cabinet

Fixez le support avant du cabinet à l'avant des panneaux latéraux, dans les trous prévus à cet effet, en utilisant quatre (4) vis #14 x 1/2". Pour faciliter l'installation, commencez à visser chaque vis avant de les serrer complètement. Puis poussez l'aimant en place comme illustré



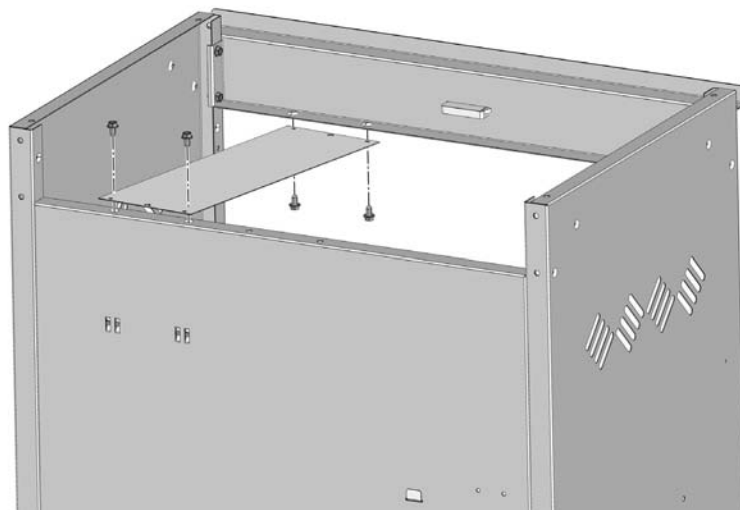
4 x N570-0080 (#14 x 1/2")

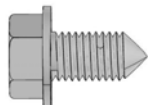


3/8" (10mm)

8. Installation du protecteur de chaleur

Attachez le protecteur de chaleur. Attachez une extrémité sous la bordure du panneau arrière dans le trou prévu à cet effet et l'autre extrémité sous le support avant du cabinet.





4 x N570-0091 (1/4-20 X 1/2")



3/8"(10mm)

9. Installation de la cuve de grill

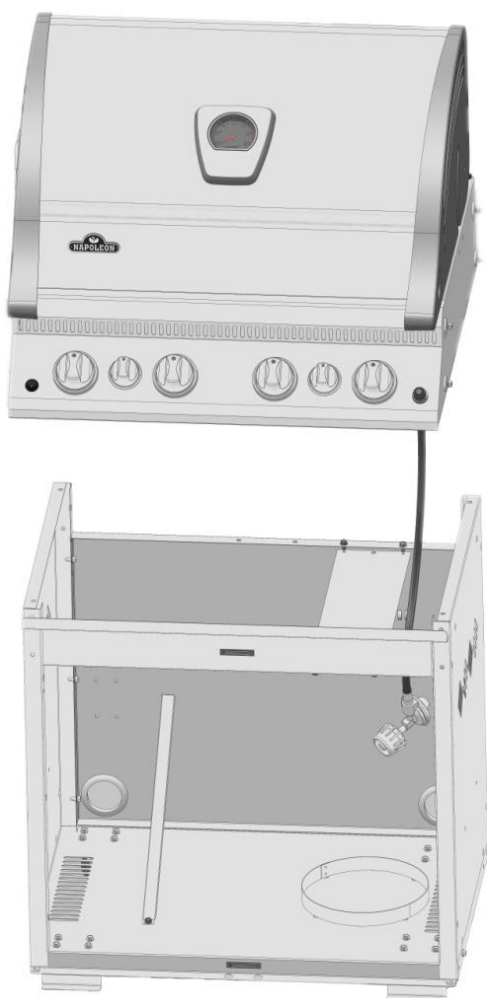
PROPANE SEULEMENT - Pour éviter les difficultés d'assemblage, avant d'installer la cuve de grill, enlevez l'attache retenant le régulateur sous le panneau de contrôle. Cette attache a été installée en usine afin de protéger le boyau du régulateur lors de l'expédition et n'est plus nécessaire. (Prenez soin de ne pas endommager le boyau lorsque vous enlevez cette attache.) Assurez-vous que le régulateur passe dans la petite ouverture, entre le protecteur de chaleur de la bonbonne et le côté droit du cabinet.

Soulevez la cuve de grill et installez-la sur le chariot assemblé en alignant les trous au sommet des panneaux latéraux, avec les trous au bas de la cuve. Fixez de l'intérieur en utilisant quatre (4) vis de 1/4-20 x 1/2", deux par côté.

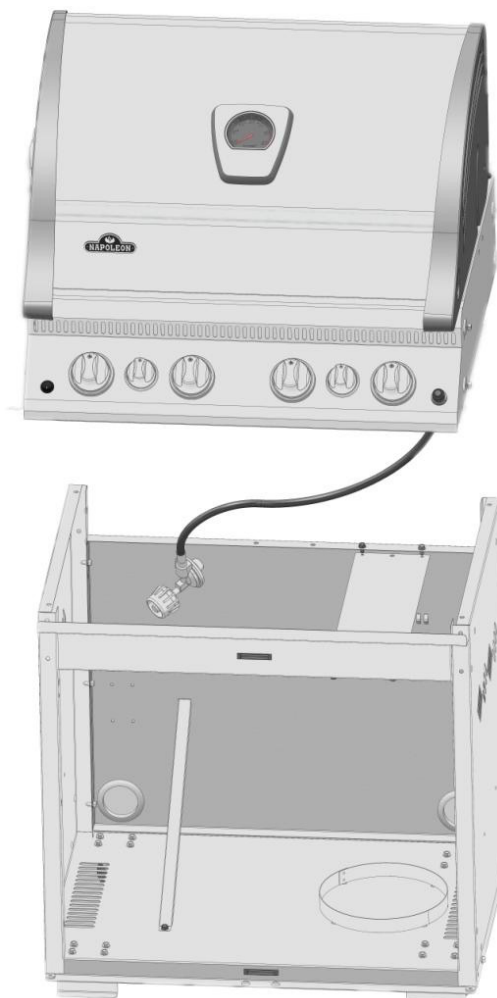
Deux personnes sont requises pour effectuer cette étape.

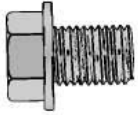


Assemblée Correcte



Assemblée Incorrecte





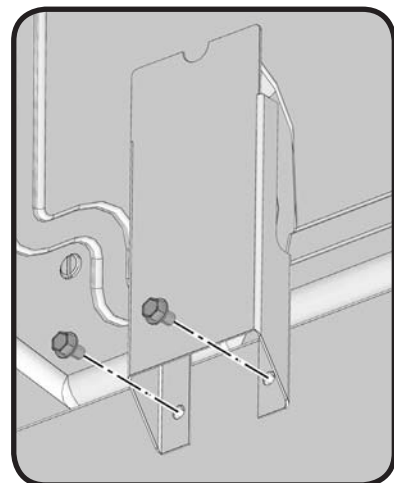
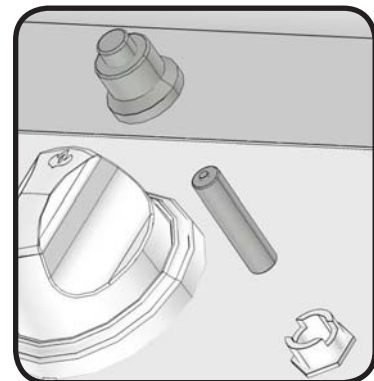
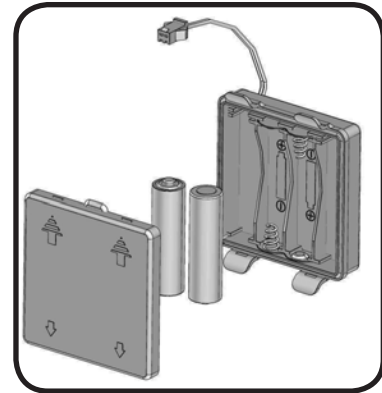
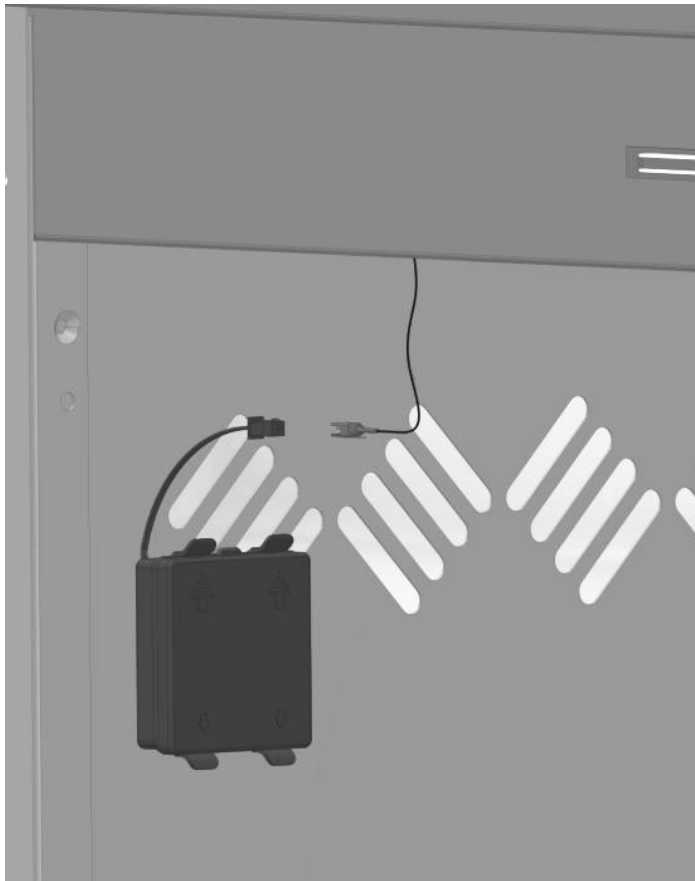
2 x N570-0073 (1/4-20 X 3/8")

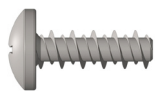


3/8" (10mm)

10. Paquet de Batterie / Support de Rôtissoire

Installez les piles sous les fentes d'aération, sur le panneau gauche, à l'aide de l'aimant fourni avec l'ensemble de piles. Branchez le fil de la DEL (lumières), situé sous le panneau de contrôle, avec le fil des piles. Installez le support de rôtissoire à la gauche du gril comme illustré, en utilisant deux (2) vis de 1/4-20 x 3/8".





8 x N570-0076 (#8 X 1/2")

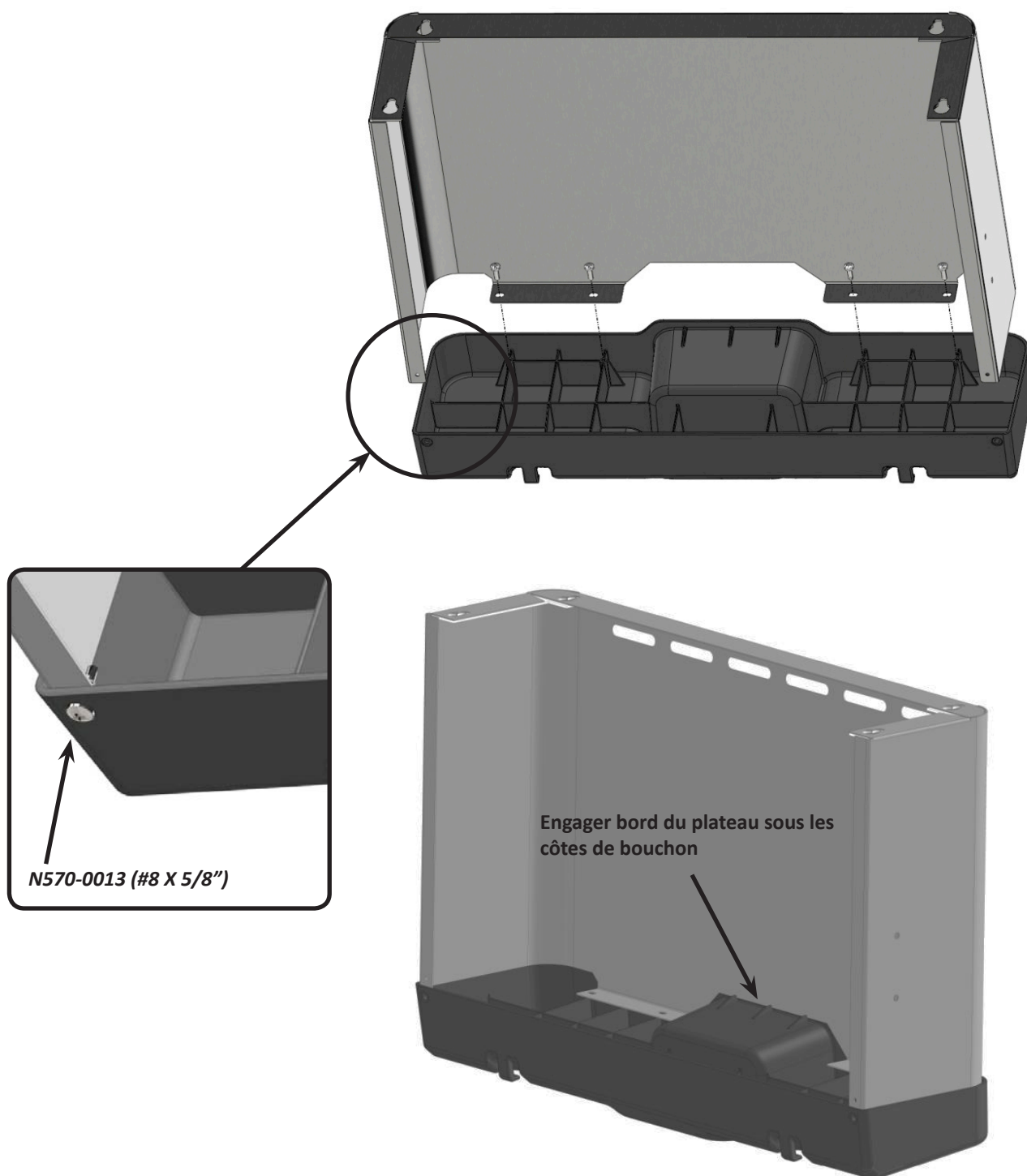


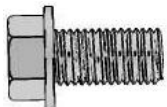
4 x N570-0013 (#8 X 5/8")



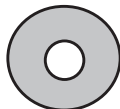
11. Installation des embouts de la tablette latérale

Peler le revêtement de protection de la tablette latérale. Insérez le haut de la tablette latérale dans l'embout engager le bord du plateau sous les côtes de l'embout, comme illustré. Appuyez sur les languettes en bas dans le capuchon d'extrémité et d'aligner les trous. Fixez le capuchon d'extrémité de la tablette latérale comme indiqué en utilisant (4) # 8 x 1 / 2 "vis par tablette. Sur le dessous de la tablette latérale fixer le capuchon à l'aide (2) # 8 x 5 / 8 "vis une à chaque extrémité.





4 x N570-0082 (1/4-20 X 5/8'')



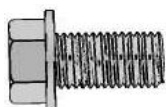
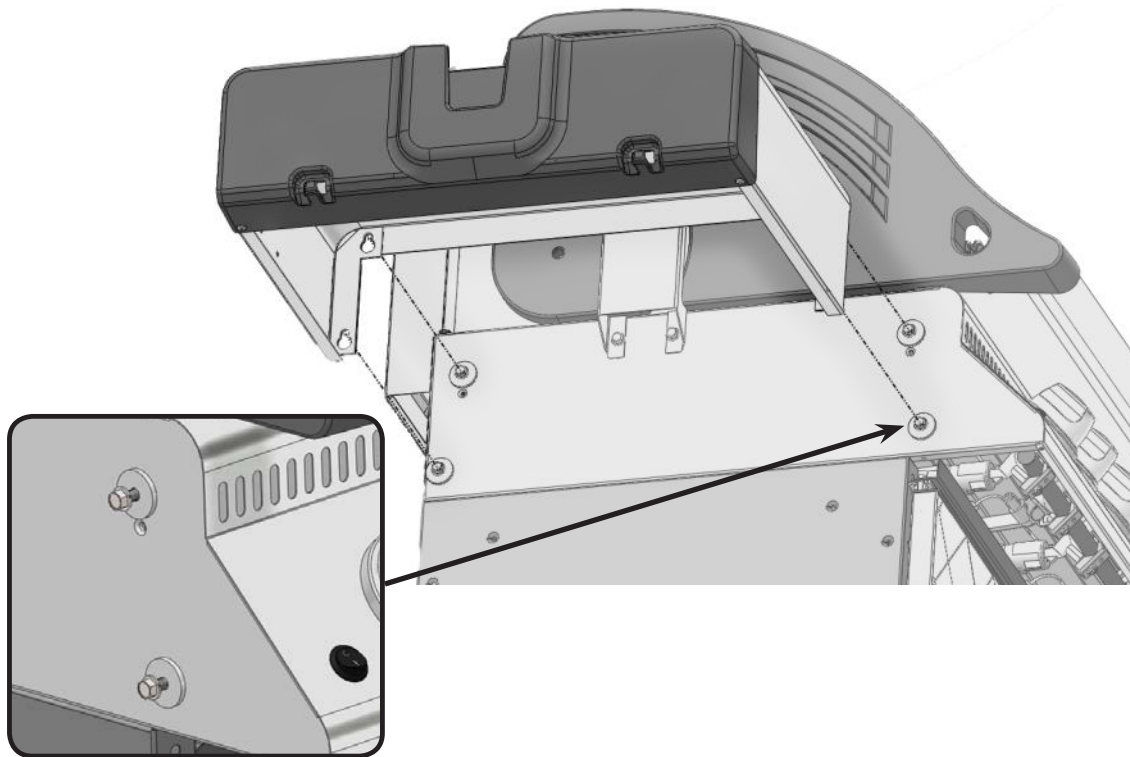
4 x N735-0001 (insulated washer)



3/8'' (10mm)

12. Installation de la tablette latérale

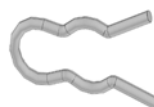
Insérez quatre (4) vis de 1/4-20 x 5/8'' dans les rondelles jusque dans les trous filetés du côté de la cuve. Ne serrez pas jusqu'au bout. Faites glisser la tablette latérale assemblée par-dessus les têtes des vis et terminez le serrage.



4 x N570-0082 (1/4-20 X 5/8'')



4 x N735-0001 (insulated washer)



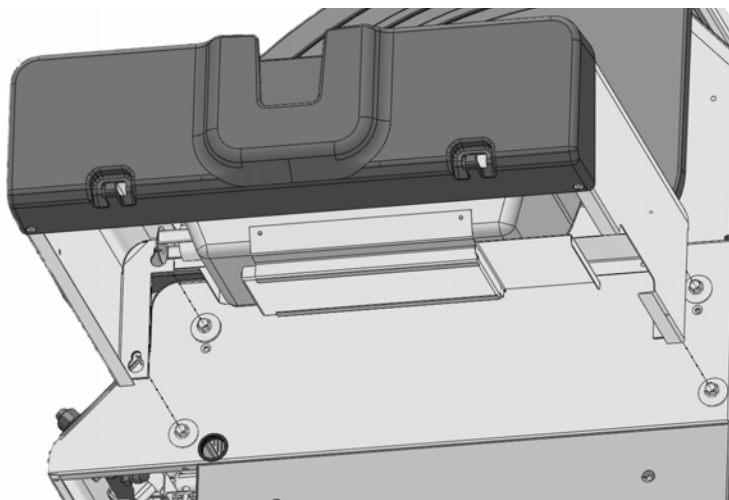
1 x N160-0016



3/8'' (10mm)

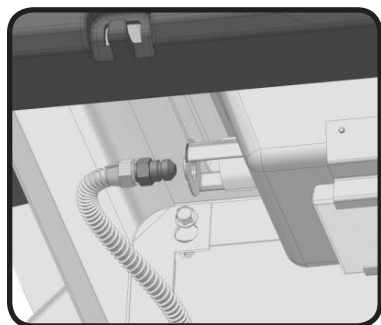
13. Installation du brûleur latéral

Insérez quatre (4) vis de 1/4-20 x 5/8'' dans les rondelles jusque dans les trous filetés du côté de la cuve. Ne serrez pas jusqu'au bout. Faites glisser le brûleur latéral assemblé par-dessus les têtes des vis et terminez le serrage.

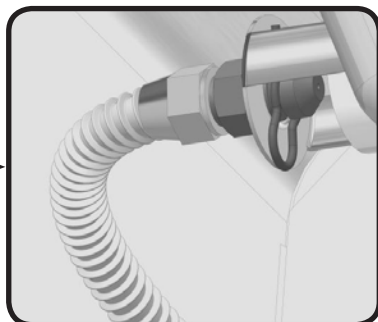
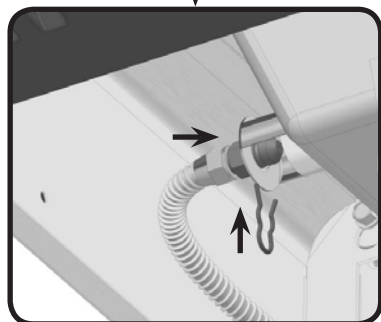
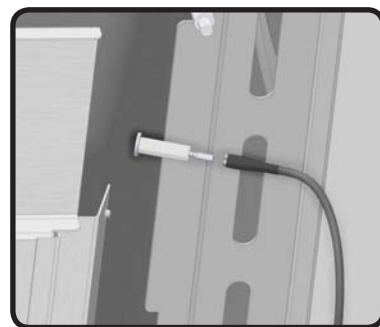


AVERTISSEMENT! Le brûleur latéral infrarouge est muni d'un plateau d'égouttement qui ne peut contenir qu'une petite quantité de graisse. Afin d'éviter les feux de graisse, le plateau doit être nettoyé après chaque utilisation.

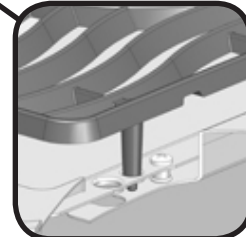
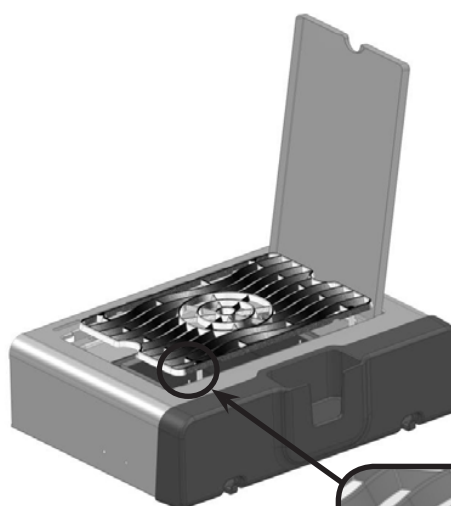
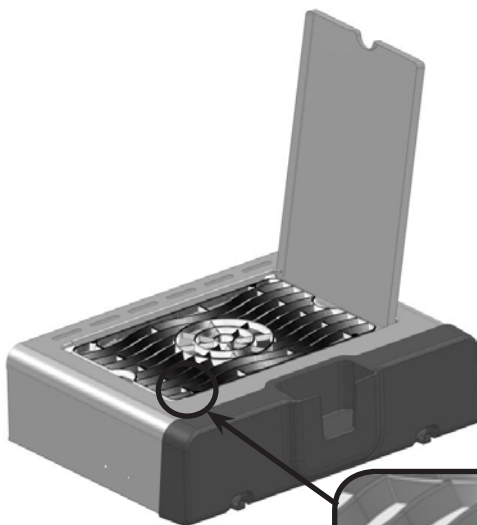
Placez l'orifice dans le brûleur et fixez à l'aide de l'attache de retenue fournie. Fixez le fil du collecteur à l'électrode du brûleur latéral.

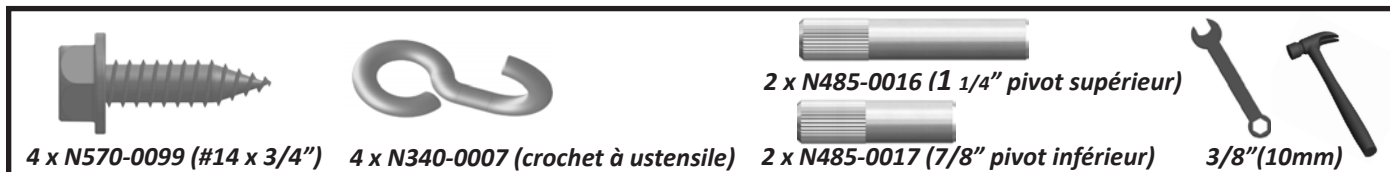


Placez l'orifice dans le brûleur et fixez à l'aide de l'attache de retenue fournie.



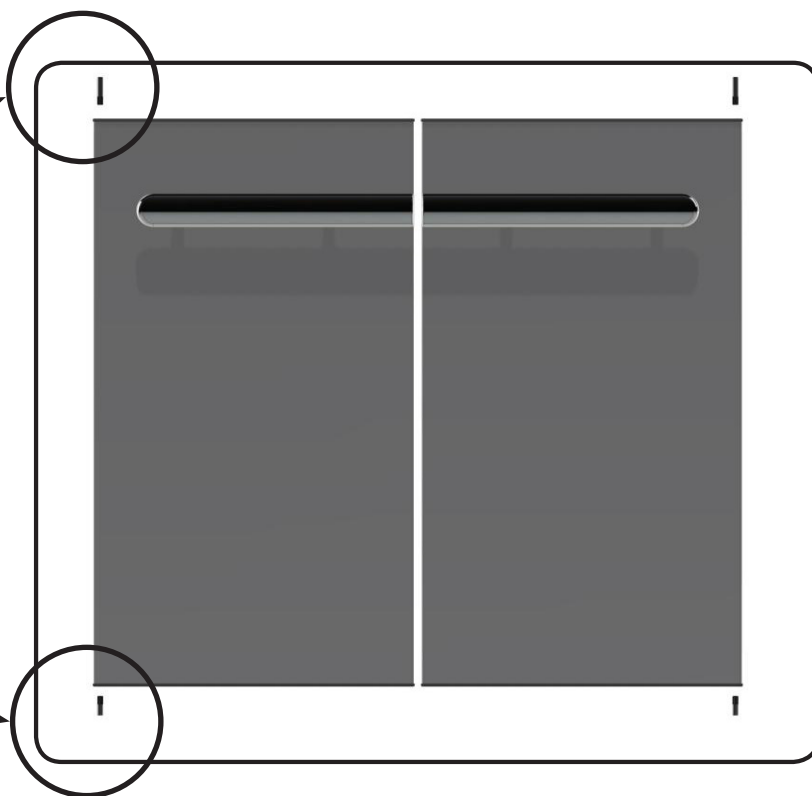
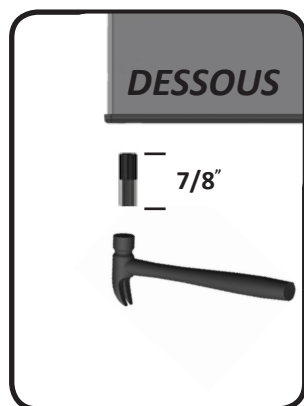
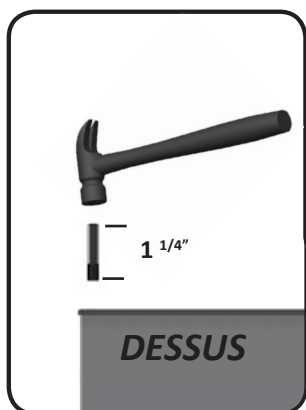
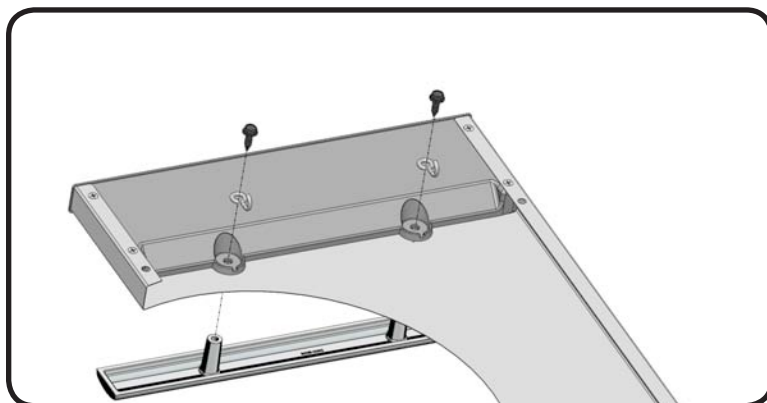
Installation de la grille de cuisson: La grille de cuisson être installée à deux niveaux différents. Le niveau inférieur est utilisé pour les chaudrons ou les poêles. Le niveau supérieur est utilisé pour saisir les aliments. Assurez-vous que le brûleur soit éteint et que la grille de cuisson soit froide au toucher avant de changer la grille de niveau. La grille doit être au niveau inférieur pour pouvoir fermer le couvercle.

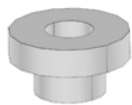




14. Assemblée des portes du cabinet

Installez la poignée sur le devant de la porte et les crochets à ustensiles à l'arrière de la porte à l'aide de deux vis #14 x 3/4" par porte. Insérez les pivots dans les trous supérieurs et inférieurs de chaque porte comme illustré, en les enfonçant doucement avec un marteau.



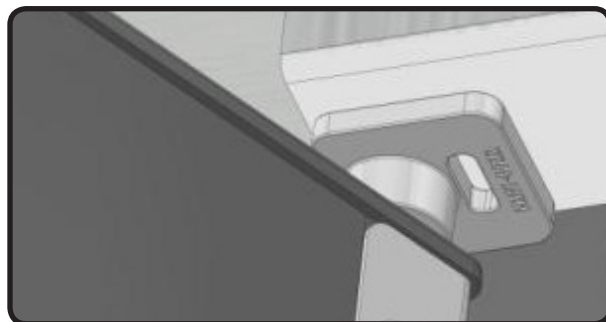
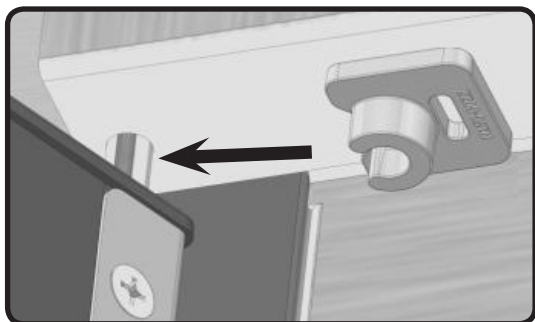
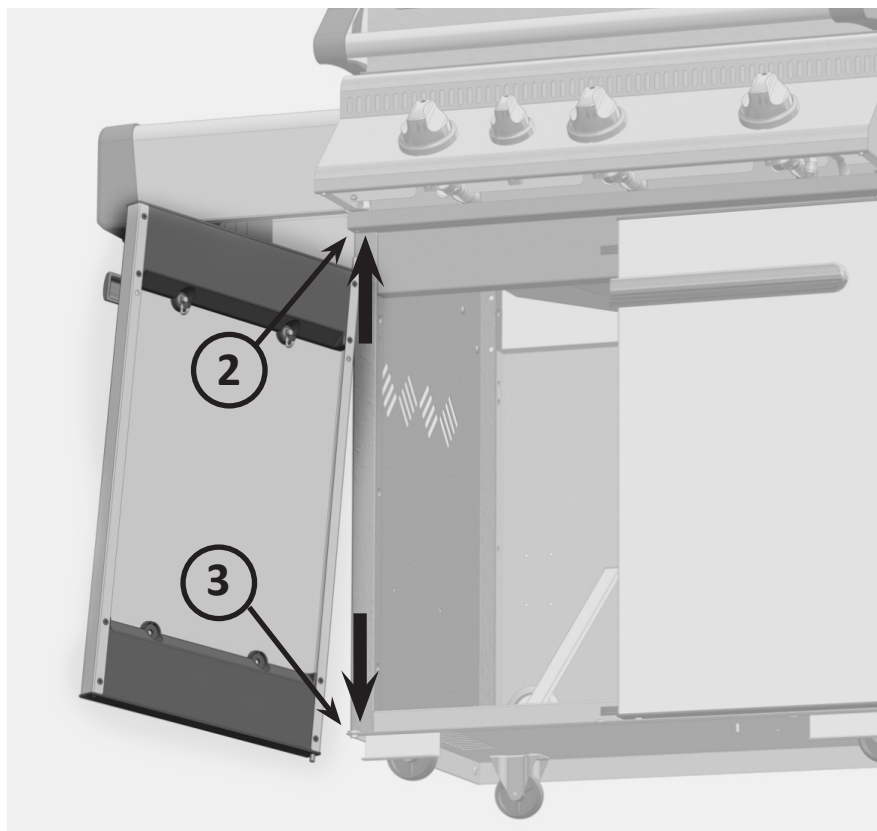
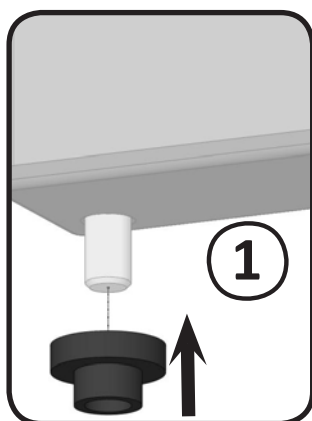


2 x N105-0011 (bague de porte) 2 x N160-0022 (attache de pivot)

3/8"(10mm)

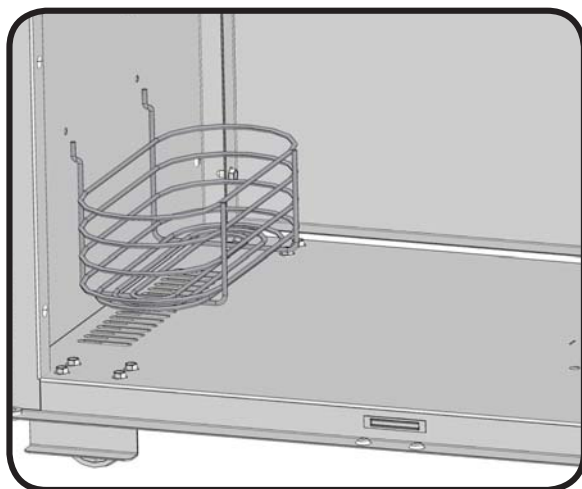
15. Installation des portes du cabinet

Tenant la porte, insérez le pivot supérieur dans le trou sous le support avant du cabinet, et le pivot inférieur dans la bague de la tablette inférieure. Une fois que la porte est fixée, enclenchez l'attache de pivot sur le pivot supérieur comme illustré.



16. Panier à condiments

Pivotez le panier légèrement pour permettre aux tiges de s'insérer dans les trous du panneau latéral. Poussez et soulevez en pivotant pour permettre au coude des tiges de passer dans les trous. Placez le panier à plat contre le panneau latéral.



17. Installation des plaques de brûleur

Insérez les plaques de brûleur dans la cuve. Placez-les au-dessus de chaque brûleur tubulaire en positionnant les fentes vers le bas afin de permettre l'égouttement.



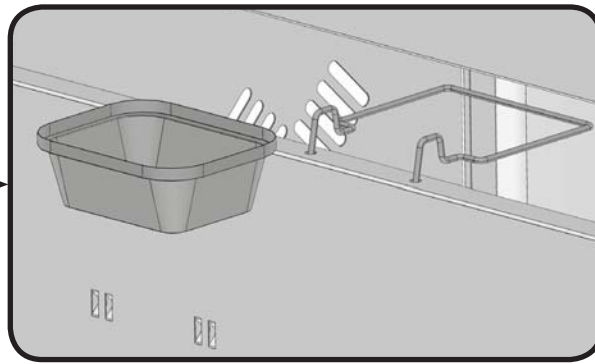
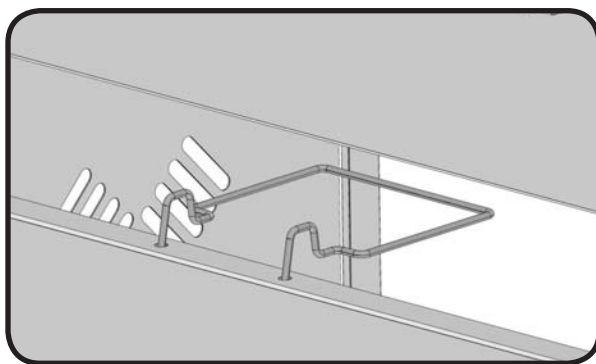
18. Installation des grilles de cuisson et de la grille de réchaud

Placez les grilles de cuisson et la grille de réchaud dans la cuve comme illustré. Appuyez la grille de réchaud sur les supports situés à l'intérieur de la hotte, et les grilles de cuisson sur les bordures avant et arrière de la base.



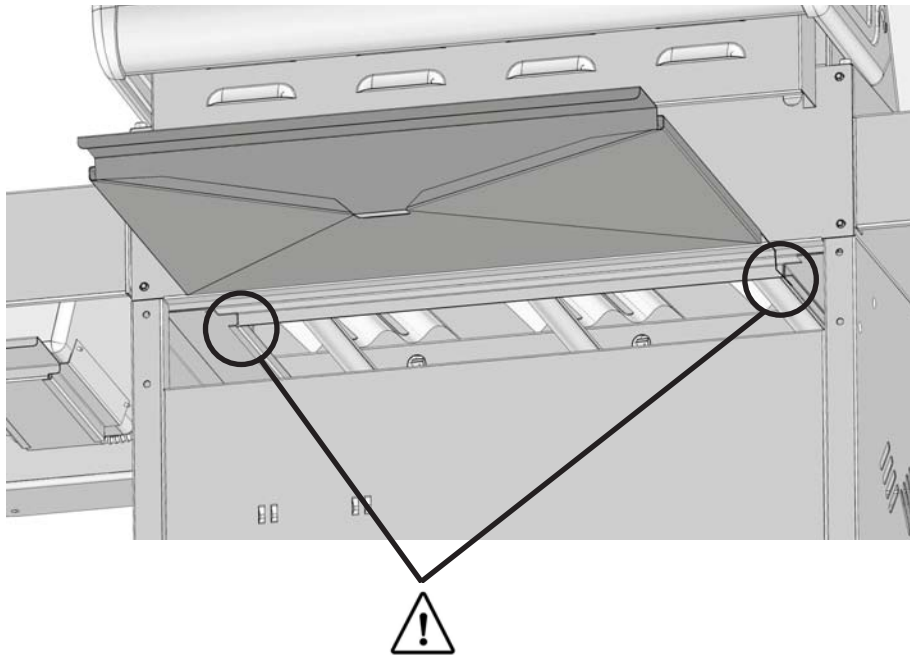
19. Installation du récipient à graisse et de son support

Dans les deux trous situés au centre du panneau arrière, insérez le support du récipient à graisse. À l'intérieur du support, installez un récipient à graisse en aluminium.



20. Installation du tiroir d'égouttement

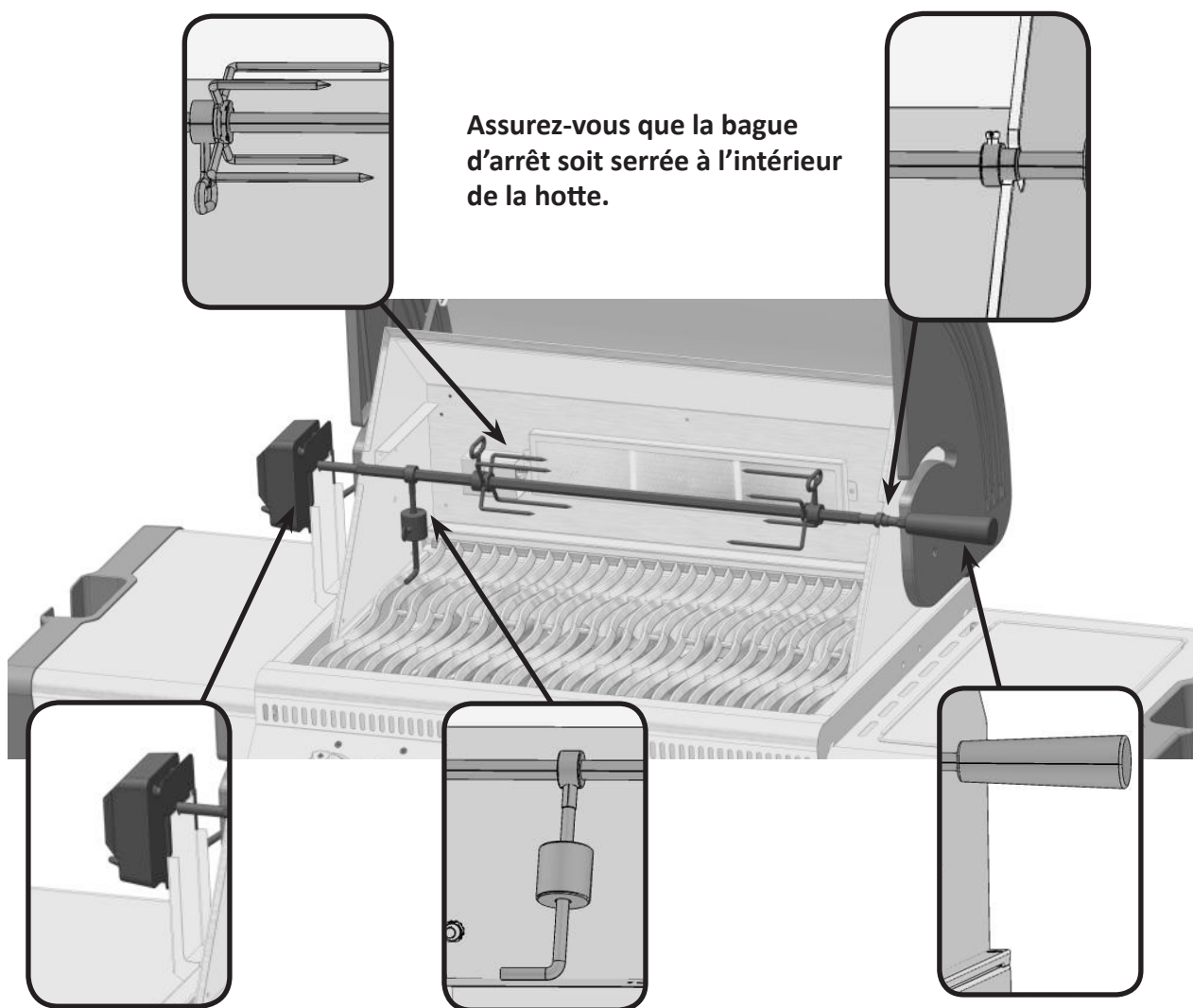
Faites glisser le tiroir d'égouttement vers l'arrière de la cuve comme illustré. Assurez-vous que le tiroir circule le long des rails au bas de la cuve.



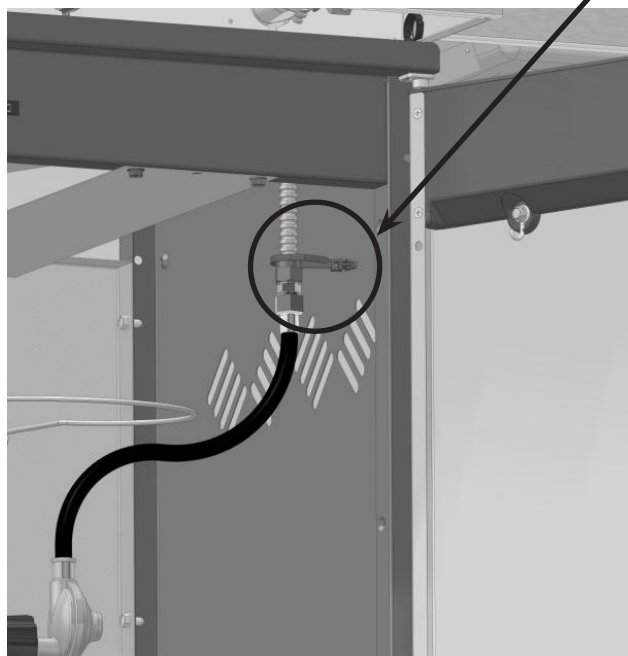
Instructions D'assemblage De L'ensemble De Rôtissoire

(optionnelle)

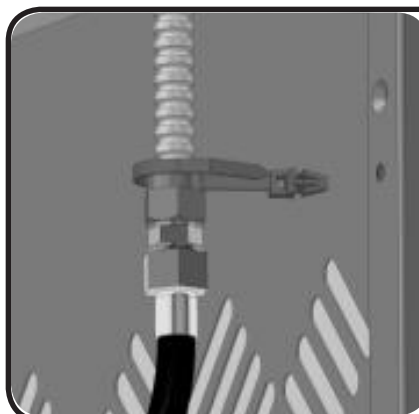
Assemblez les composantes de la rôtissoire tel qu'illustré.



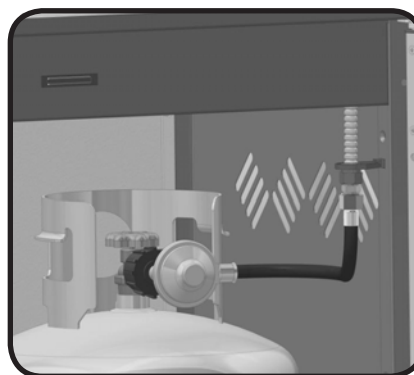
Propane Seulement - Branchement Adéquat Du Boyau



Assurez-vous que le régulateur passe dans la petite ouverture, entre le protecteur de chaleur de la bonbonne et le côté droit du cabinet.



Fixez le boyau au panneau latéral à l'aide de la clip de retenue fournie.



Propane Seulement – Branchement Inadéquat Du Boyau



ATTENTION - RISQUE D'INCENDIE

Le régulateur tuyau doit être fixé de façon à ce qu'aucune partie du tuyau ne touche le dessous du gril ou du tiroir d'égouttement. Si vous ne suivez pas ces instructions à la lettre, un feu en résultera.



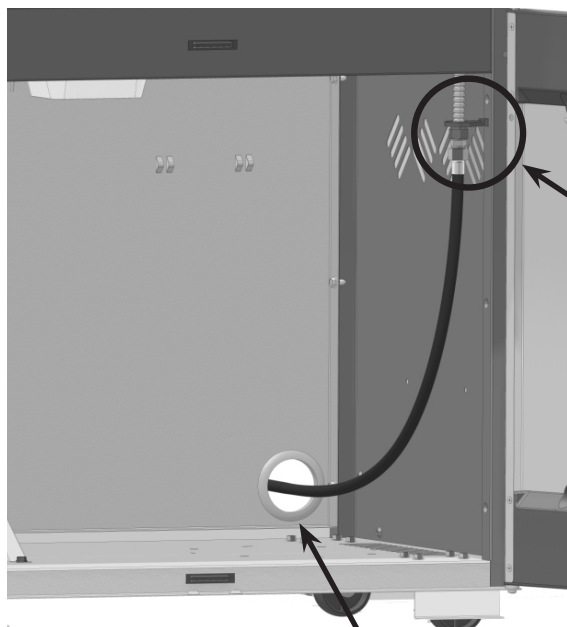
Gaz Naturel Seulement - Branchement Adéquat Du Boyau



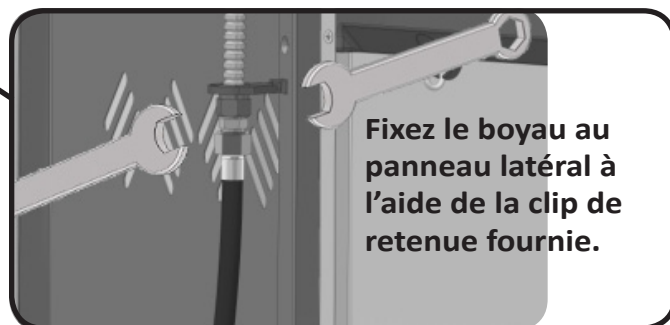
3/4" (19mm)



AVERTISSEMENT! L'installation doit être effectuée par un installateur certifié pour le gaz et tous les raccordements doivent être testés pour des fuites avant de faire fonctionner le gril. Serrer la connexion avec deux clés.



La bague est préinstallée en usine



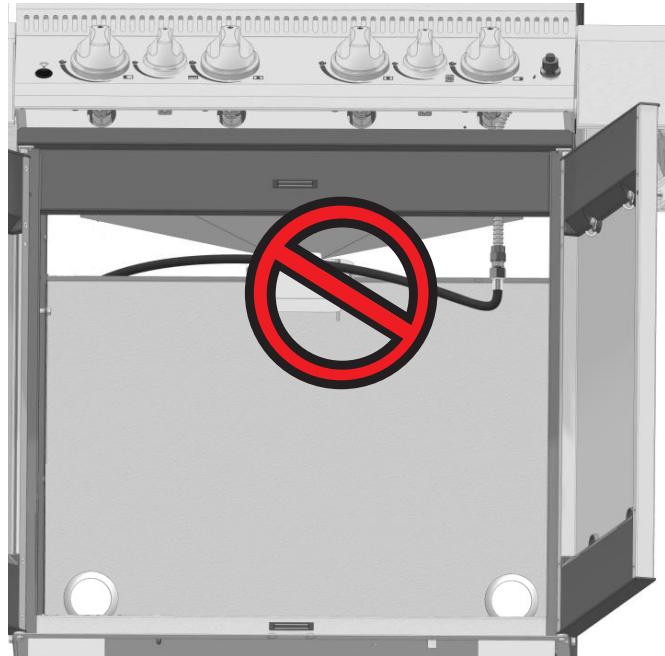
Gaz Naturel Seulement - Branchement Inadéquat Du Boyau



ATTENTION - RISQUE D'INCENDIE



AVERTISSEMENT! Ne pas passer le tuyau d'alimentation sous le tiroir d'égouttement afin de garder.



AVERTISSEMENT! N'acheminez pas le boyau par-dessus le panneau arrière.



AVERTISSEMENT! Assurez-vous que le boyau ne touche à aucune surface à haute température sinon il risque de fondre, de provoquer une fuite et causer un feu.

Test De Détection De Fuites



AVERTISSEMENT! Il doit être fait avant la première utilisation, annuellement et à chaque fois qu'une pièce du système de gaz est remplacée ou réparée



AVERTISSEMENT! N'utilisez pas une flamme nue pour vérifier pour des fuites de gaz. Assurez-vous qu'il n'y ait aucune étincelle ni flamme nue à proximité de l'endroit à vérifier. Les étincelles ou les flammes nues provoqueront un feu ou une explosion, causant des dommages matériels, des blessures graves ou des pertes de vie.



Test De Fuites: Il doit être fait avant la première utilisation, annuellement et à chaque fois qu'une pièce du système de gaz est remplacée ou réparée. Ne fumez pas et enlevez toutes sources d'allumage lorsque vous faites ce test. Consultez le schéma de test de fuites pour voir les endroits à tester.

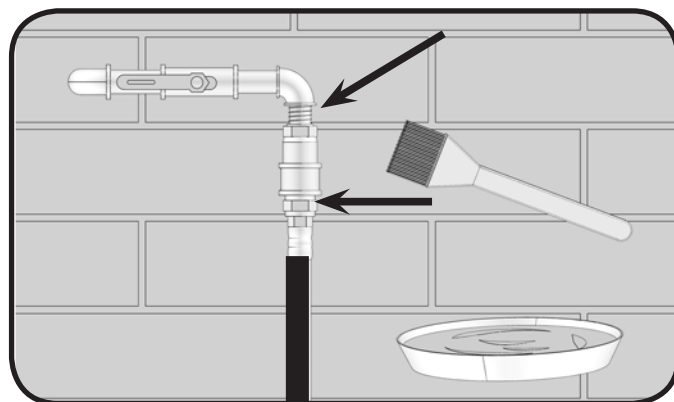
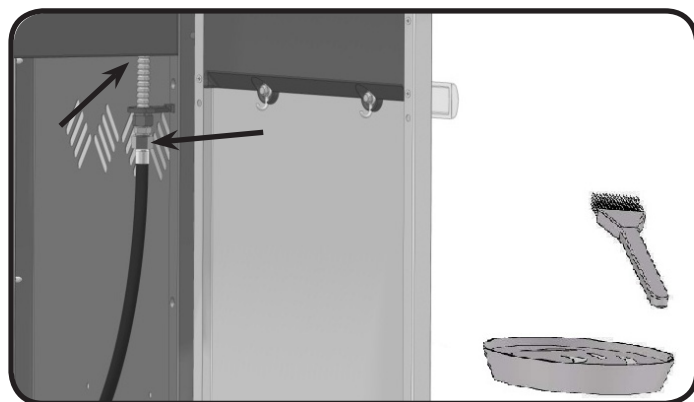
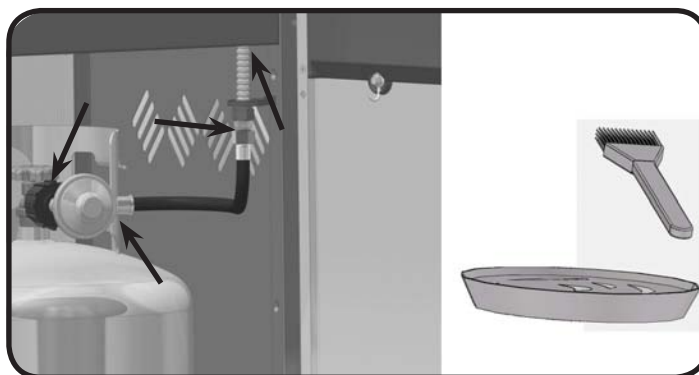
1 - Fermez tous les boutons des brûleurs. Ouvrez la soupape de la bonbonne.

2 - Appliquez une solution de deux parts égales de savon liquide et d'eau sur tous les joints du régulateur, le tuyau et ses raccords.

3 - Des bulles indiqueront une fuite de gaz. Resserrez le joint ou remplacez la pièce avec une autre recommandée par le détaillant.

4 - Si la fuite ne peut être réparée, fermez l'alimentation de gaz à la bonbonne, enlevez-la et faites inspecter votre gril par votre fournisseur de gaz ou détaillant. N'utilisez pas l'appareil jusqu'à ce que la fuite soit réparée.

5 - Fermez la soupape de la bonbonne.



Liste Des Pièces

Article	N° de pièce	Description	RSIB
1	N135-0042-GY1HT	moulage gauche du couvercle	x
2	N385-0129	logo NAPOLÉON	x
3	W450-0005	clips à ressort pour logo	x
4	N510-0010	pare-chocs du couvercle (silicone noire)	x
5	N685-0012-GY	jauge de température	x
6	N080-0287-GY1HT	couverture poignée du couvercle	x
7	N335-0042L	appliqué pour couvercle en acier inoxydable	x
8	N570-0024	VIS 1/4-20 x 1/2	x
9	N010-0720	poignée du couvercle	x
10	N135-0043-GY1HT	moulage droit du couvercle	x
11	N570-0015	vis pivot du couvercle	x
12	N010-0565	assemblage de la hotte	x
13	N570-0008	vis #8 x 1/2"	x
14	N570-0073	vis 1/4-20 x 3/8"	x
15	N735-0003	rondelle de blocage 1/4"	x
16	N520-0023	grille de réchaud	x
17	N305-0063	grilles de cuisson - fer de fonte	x
	N370-0597	grille de cuisson (en acier inoxydable)	ac
18	N305-0057-M05	plaque de brûleur	x
19	N010-0722	tablette latérale droite en acier inoxydable	x
20	N570-0076	vis #8 x 1/2"	x
21	N570-0082	vis 1/4-20 x 5/8"	x
22	N010-0721-M06	tablette latérale gauche en acier inoxydable	x
23	N120-0020-GY0TX	embout de tablette latérale LUXIDIO	x
24	N200-0090-M06	couvercle infrarouge brûleur arrière	x
25	N010-0526P	brûleur arrière, infrarouge brûleur arrière	p
	N010-0526N	brûleur arrière, infrarouge brûleur arrière	n
	N455-0054	des orifices brûleur arrière #59	p
	N455-0053	des orifices brûleur arrière #53	n
	N720-0053	brûleur arrière approvisionnement	x
	N160-0017	support brûleur arrière approvisionnement	x
26	N240-0024P	électrode du brûleur arrière	p
	N240-0024N	électrode du brûleur arrière	n
27	N080-0206	couvercle électrode du brûleur arrière	x
28	N570-0079	vis électrode du brûleur arrière	x
	N615-0011	entretoise électrode du brûleur arrière	x
29	N100-0036	brûleur principal	x
30	N080-0281	support pour l'allumage croisé du brûleur principal	x
31	N475-0199-M06	support de rôtissoire	x
32	N010-0724	cuve	x
33	N010-0501-M08	tiroir d'égouttement	x
34	N160-0014	support du récipient à graisse	x
35	N185-0001	récipients à graisse aluminium	x
36	N200-0089P	couvercle arrière	x
37	N475-0291CT	panneau de contrôle	x
38	N380-0011	bouton de contrôle	x

Liste Des Pièces

Article	N° de pièce	Description	RSIB
39	N051-0006	cadran de bouton de contrôle	x
40	N530-0003	ensemble de régulateur à 1 sortie	p
	N345-0001	boyau GN de 10 pieds avec déconnexion rapide	n
41	N010-0716	assemblage du collecteur avec soupapes	p
	N010-0717	assemblage du collecteur avec soupapes	n
42	N720-0044	connecteur flexible du collecteur	x
43	N255-0027	raccord 3/8" - 3/8"	x
44	N340-0007	crochet à ustensile	x
45	N380-0019	bouton de contrôle	x
	N720-0053	tuyau d'alimentation de brûleur arrière	x
46	N051-0008	cadran de bouton de contrôle	x
	N720-0055	tuyau d'alimentation de brûleur latéral	x
47	N475-0183-GY1SG	panneau latéral de gauche/droite du cabinet	x
48	N160-0022	attache de pivot	x
49	N475-0293-M06	ensemble de porte pour chariot	x
50	N325-0062	poignée de porte	x
51	N570-0073	vis de poignée de porte	x
52	N590-0147-GY1SG	tablette du bas	x
53	N655-0124-GY1SG	support avant du cabinet	x
54	N475-0271-GY1SG	panneau arrière pour chariot	x
55	N585-0064P	pare-chaleur	p
56	N105-0013	bague à pression	x
57	N105-0011	bagues de porte	x
58	N655-0094P	anneau support de la bouteille	p
59	N430-0002	loquet magnétique	x
	N370-0636	sac d'accessoires principal pour le montage	x
61	N750-0021B	harnais de fils	x
62	N190-0001	ensemble de piles	x
	W043-0002	pile « AA »	x
63	N080-0254S	tige restrictive de bonbonne de propane	p
64	N735-0001	rondelle isolée	x
65	N105-0001	bague de 7/8"	x
66	N640-0001	clip de retenue de boyau	x
67	N160-0015	clip de la bonbonne de propane	p
68	N130-0012	roulette à rotation	x
69	N450-0027	écrou de blocage 1/4-20	x
70	N080-0212P	support roulette	x
71	N590-0164	panier à condiments	x
72	N130-0013	roulette à non tournant	x
73	N585-0078	couvercle pare-chaleur	x
74	N485-0009	clip du couvercle du brûleur latéral	x
75	N335-0048-M06	couvercle de brûleur latéral	x
76	N010-0612	brûleur latéral infrarouge	x
77	N305-0072	grille de brûleur latéral	x
78	N010-0618	plateau de brûleur latéral	x
79	N570-0042	vis 10-24 x 3/8"	x

Liste Des Pièces

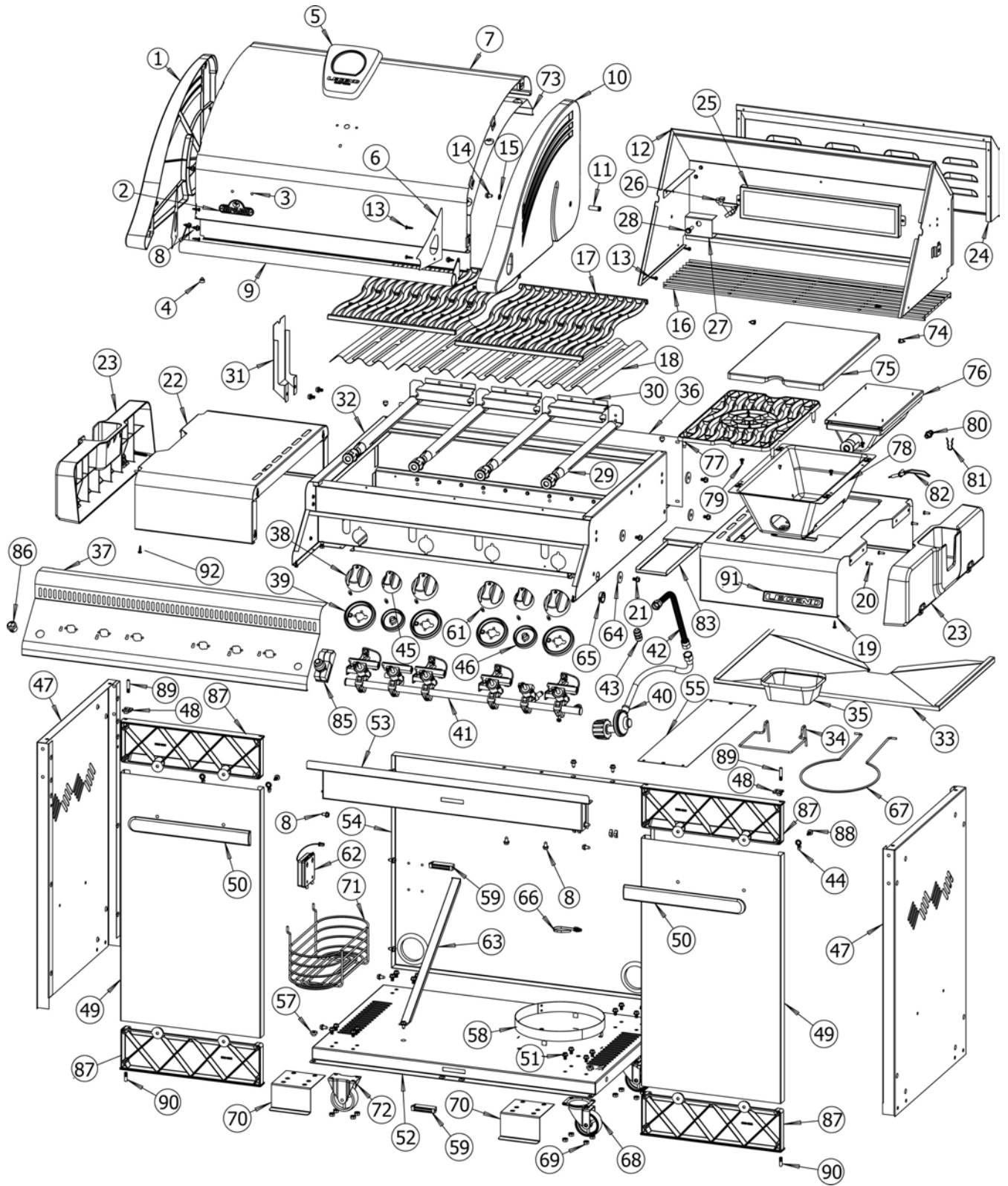
Article	N° de pièce	Description	RSIB
80	N455-0062	orifice de brûleur latéral #60	p
	N455-0063	orifice de brûleur latéral 1.45MM	n
81	N160-0016	clip de brûleur latéral	x
82	N240-0026	de brûleur latéral electrode	x
83	N710-0063	de brûleur latéral tiroir d'égouttement	x
85	N357-0013	brûleur latéral igniter	x
	N750-0016	brûleur latéral fil	x
86	N660-0002	commutez la lumière	x
87	N120-0019-GY0TX	embout de la porte	x
88	N570-0099	vis #14 x 3/4"	x
89	N485-0016	pivot supérieur	x
90	N485-0017	pivot inférieur	x
91	N385-0226	logo LEGEND	x
92	N570-0013	vis #8 x 5/8"	x
	64485	ensemble de rôtissoire	ac
	63489	housse en vinyle	ac
	56018	plaque de cuisson en acier inoxydable	ac
	67730	bac à charbon de bois	ac
	62007	réipients à graisse foil (5 morceaux)	ac

xx - compris

n - natural gas units only n - appareils gaz naturel seulement

ac - accessory

ac - accessoires





TÉLÉCOPIEZ AU: 705 727 4282

BON DE COMMANDE POUR PIÈCES/ACCESSOIRES

NOM DU CLIENT _____

ADRESSE: _____

TÉLÉPHONE : _____ FAX : _____

EMAIL: _____

VISA OU MASTERCARD : _____ DATE D'EXPIRATION : _____

SIGNATURE: _____

QUANTITÉ	NUMÉRO DE PRODUIT	DESCRIPTION

LES TAXES PEUVENT S'APPLIQUER
LES FRAIS D'EXPÉDITION SUPPLÉMENTAIRE

**SI VOUS DÉSIREZ RECEVOIR UNE CONFIRMATION, VEUILLEZ INCLURE UN NUMÉRO DE
TÉLÉCOPIEUR OU UNE ADRESSE COURRIEL**

NOTES

NOTES

NOTES

