



# OPERATING INSTRUCTIONS AND OWNER'S MANUAL

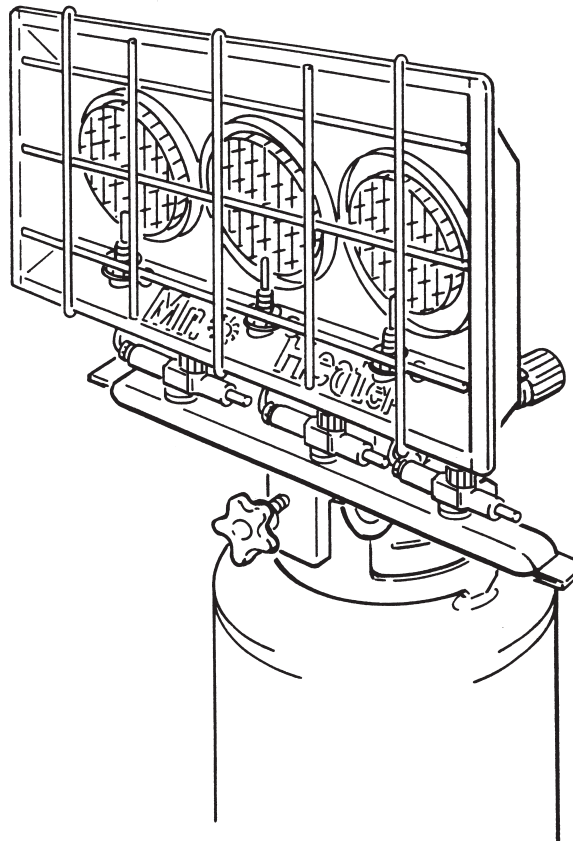
Model #

MH45T

**READ INSTRUCTIONS CAREFULLY:** Read and follow all instructions. Place instructions in a safe place for future reference. Do not allow anyone who has not read these instructions to assemble, light, adjust or operate the heater.

## GAS-FIRED INFRA-RED PORTABLE HEATER

CYLINDER NOT INCLUDED



MODEL MH45T

### LANGUAGES

ENGLISH

Pages E1 — E8

SPANISH

Pages S1 — S8

**WARNING:** If the information in this manual is not followed exactly, a fire or explosion may result causing property damage, personal injury or loss of life.

- Do not store or use gasoline or other flammable vapors and liquids in the vicinity of this or any other appliance.
- An LP cylinder not connected for use shall not be stored in the vicinity of this or any other appliance.
- WHAT TO DO IF YOU SMELL GAS
  - Do not try to light appliance.
  - Extinguish any open flame.
  - Shut off gas to appliance.
- Service must be performed by a qualified service agency.
- DO NOT LEAVE HEATER UNATTENDED OR IN OPERATION WHILE SLEEPING

This is an unvented gas-fired portable heater. It uses air (oxygen) from the area in which it is used. Adequate combustion and ventilation air must be provided. Refer to page 3.

**⚠️WARNING:**

YOUR SAFETY IS IMPORTANT TO YOU AND TO OTHERS, SO PLEASE READ THESE INSTRUCTIONS BEFORE YOU OPERATE THIS HEATER.

**⚠️GENERAL HAZARD WARNING:**

FAILURE TO COMPLY WITH THE PRECAUTIONS AND INSTRUCTIONS PROVIDED WITH THIS HEATER, CAN RESULT IN DEATH, SERIOUS BODILY INJURY AND PROPERTY LOSS OR DAMAGE FROM HAZARDS OF FIRE, EXPLOSION, BURN, ASPHYXIATION, CARBON MONOXIDE POISONING, AND/OR ELECTRICAL SHOCK. ONLY PERSONS WHO CAN UNDERSTAND AND FOLLOW THE INSTRUCTIONS SHOULD USE OR SERVICE THIS HEATER. IF YOU NEED ASSISTANCE OR HEATER INFORMATION SUCH AS AN INSTRUCTIONS MANUAL, LABELS, ETC. CONTACT THE MANUFACTURER.

**⚠️WARNING:**

**CARBON MONOXIDE CAN KILL YOU**

USING A PORTABLE GAS CAMPING HEATER INSIDE A TENT, RV, CAMPER, VEHICLE, SHELTER OR OTHER ENCLOSED AREAS CAN PRODUCE DEADLY CARBON MONOXIDE

**⚠️WARNING:**

NOT FOR HOME OR RECREATIONAL VEHICLE USE

**⚠️WARNING:**

FIRE, BURN, INHALATION, AND EXPLOSION HAZARD. KEEP SOLID COMBUSTIBLES, SUCH AS BUILDING MATERIALS, PAPER OR CARDBOARD, A SAFE DISTANCE AWAY FROM THE HEATER AS RECOMMENDED BY THE INSTRUCTIONS NEVER USE THE HEATER IN SPACES WHICH DO OR MAY CONTAIN VOLATILE OR AIRBORNE COMBUSTIBLES, OR PRODUCTS SUCH AS GASOLINE, SOLVENTS, PAINT THINNER, DUST PARTICLES OR UNKNOWN CHEMICALS.

**⚠️WARNING:**

**The State of California requires the following warning:** COMBUSTION BY-PRODUCTS PRODUCED WHEN USING THIS PRODUCT CONTAIN CARBON MONOXIDE, A CHEMICAL KNOWN TO THE STATE OF CALIFORNIA TO CAUSE CANCER AND BIRTH DEFECTS (OR OTHER REPRODUCTIVE HARM).

**CONTENTS**

WARNINGS ..... 2  
HOOK-UP INFORMATION ..... 2  
GENERAL INFORMATION ..... 3  
ODOR FADE WARNING ..... 3  
FOR SAFE OPERATION ..... 4  
VENTILATION ..... 5  
MINIMUM CLEARANCE FROM COMBUSTIBLE MATERIALS ..... 5  
ASSEMBLY PROCEDURE ..... 5  
LIGHTING INSTRUCTIONS ..... 5  
REPLACEMENT PARTS LIST ..... 6  
SHUT DOWN AND STORAGE ..... 7  
TROUBLE SHOOTING ..... 7  
WARRANTY ..... 8  
INSTRUCTIONS FOR ORDERING PARTS ..... 8

**HOOK-UP INFORMATION**

- 1.1 Heater model MH45T is packaged completely assembled, except tank collar mounting bracket. Propane cylinders are not included with heater models.
- 1.2 Remove heater assembly from carton.
- 1.3 Align bolt holes in tank collar bracket bolt holes in center plate on manifold.

**CAUTION:**

BE SURE THE LOCKING KNOB ON THE COLLAR MOUNTING BRACKET ASSEMBLY IS OUTSIDE THE COLLAR ON THE BULK TANK. Tighten the black knob against the collar of tank.

- 1.4 Attach with supplied screws.
- 1.5 Place the slots of the black collar mounting bracket assembly onto the collar of the bulk tank (see Fig. 1)
- 1.6 Make sure tank valve is in "OFF" position (clockwise).
- 1.7 Make sure regulator knob is in "OFF" position by turning knob clockwise to off.
- 1.8 Carefully screw POL nut directly into bulk tank valve finger-tight, turning counterclockwise; then using hand wheel, tighten POL into bulk tank valve. Then, check connection for leaks.
- 1.9 Always connect the heater to bulk tank in the outdoors or in a well ventilated area. **NEVER** connect heater to bulk tank near an open flame.

1.10 Use only LP-gas cylinders constructed for use with propane only (HD-5) and marked in accordance with specifications for LP-gas cylinders of the U. S. Department of Transportation (DOT Spec. 39).

1.11 Read complete manual before lighting heater.

### **WARNING**

Never touch heater while in operation to avoid injury. Move heater by grasping the propane cylinder carefully.

## 1. GENERAL INFORMATION

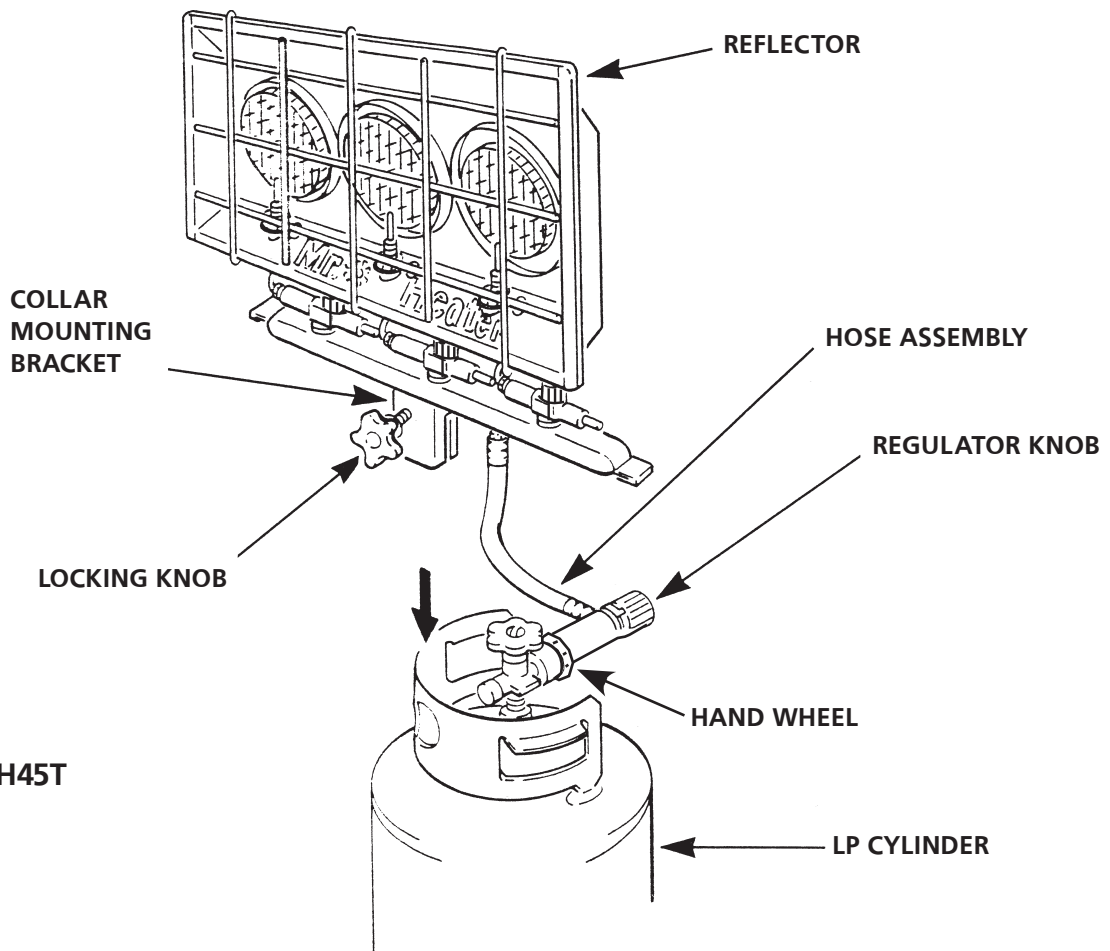
- A. The Mr. Heater MH45T heaters are high pressure propane appliances and are designed to be connected to a bulk propane tank. Every unit is tested during manufacturing and shipped fully assembled except for the bulk tank.
- B. These heaters are equipped with three automatic Safety Shutoff Valves. The gas flow will automatically stop the heater burner if that heater burner fails to operate for any reason.
- C. Maximum safety and convenience have been built into the Hi-Med-Lo-Off Control Valve/Regulator. The following table lists the approximate BTU's consumed and the operating hours you can reasonably expect from bulk propane cylinders. Fig. 2.

## ODOR FADE WARNING

### **WARNING**

#### Asphyxiation Hazard

- Do not use this heater for heating human living quarters.
- Do not use in unventilated areas.
- The flow of combustion and ventilation air must not be obstructed.
- Proper ventilation air must be provided to support the combustion air requirements of the heater being used.
- Refer to the specification section of the heater's manual, heater dataplate, or contact the factory to determine combustion air ventilation requirements of the heater.
- Lack of proper ventilation air will lead to improper combustion.
- Improper combustion can lead to carbon monoxide poisoning leading to serious injury or death.
- Symptom of carbon monoxide poisoning can include headaches dizziness and difficulty in breathing.



### MODEL MH45T

Figure 1

## FUEL GAS ODOR

LP gas and natural gas have man-made odorants added specifically for detection of fuel gas leaks. If a gas leak occurs you should be able to smell the fuel gas. Since Propane (LP) is heavier than air you should smell for the gas odor low to the floor. **ANY GAS ODOR IS YOUR SIGNAL TO GO INTO IMMEDIATE ACTION!**

- Do not take any action that could ignite the fuel gas. Do not operate any electrical switches. Do not pull any power supply or extension cords. Do not light matches or any other source of flame. Do not use your telephone.
- Get everyone out of the building and away from the area immediately.
- Close all propane (LP) gas tank or cylinder fuel supply valves, or the main fuel supply valve located at the meter if you use natural gas.
- Propane (LP) gas is heavier than air and may settle in low areas. When you have reason to suspect a propane leak, keep out of all low areas.
- Use your neighbor’s phone and call your fuel gas supplier and your fire department. Do not re-enter the building or area.
- Stay out of the building and away from the area until declared safe by the firefighters and your fuel gas supplier.
- FINALLY, let the fuel gas service person and the firefighters check for escaped gas. Have them air out the building and area before you return. Properly trained service people must repair any leaks, check for further leakages, and then relight the appliance for you.

## ODOR FADING - NO ODOR DETECTED

- Some people cannot smell well. Some people cannot smell the odor of the man-made chemical added to propane (LP) or natural gas. You must determine if you can smell the odorant in these fuel gases.
- Learn to recognize the odor of propane (LP) gas and natural gas. Local propane (LP) gas dealers will be more than happy to give you a scratch and sniff pamphlet. Use it to become familiar with the fuel gas odor.
- Smoking can decrease your ability to smell. Being around an odor for a period of time can affect your sensitivity to that particular odor. Odors present in animal confinement buildings can mask fuel gas odor.
- **The odorant in propane (LP) gas and natural gas is colorless and the intensity of its odor can fade under some circumstances.**
- If there is an underground leak, the movement of gas through the soil can filter the odorant.
- Propane (LP) gas odor may differ in intensity at different levels. Since Propane (LP) gas is heavier than air, there may be more odor at lower levels.
- **Always be sensitive to the slightest gas odor.** If you continue to detect any gas odor, no matter how small, treat it as a serious leak. Immediately go into action as discussed previously.

## ATTENTION - CRITICAL POINTS TO REMEMBER!

- Propane (LP) gas has a distinctive odor. Learn to recognize these odors. (Reference Fuel Gas Odor and Odor Fading sections above).
- Even If you are not property trained in the service and repair of the heater, ALWAYS be consciously aware of the odors of propane (LP) gas and natural gas.
- If you have not been properly trained in repair and service of propane (LP) gas then do not attempt to light heater, perform service or repairs, or make any adjustments to the heater on the propane (LP) gas fuel system.
- A periodic sniff test around the heater or at the heater’s joints; i.e. hose, connections, etc., is a good safety practice under any conditions. If you smell even a small amount of gas, CONTACT YOUR FUEL GAS SUPPLIER IMMEDIATELY. DO NOT WAIT!

## 2. FOR SAFE OPERATION

Burners Operating	Valve Position	BTU Input	Approximate Hours of Operation	
			20 Lb. Cylinder	100 Lb. Cylinder
1	Hi	15,000	23	144
1	Med	12,000	29	180
1	Lo	10,000	35	216
2	Hi	30,000	12	72
2	Med	24,000	15	90
2	Lo	20,000	18	110
3	Hi	45,000	8	48
3	Med	36,000	9	56
3	Lo	30,000	12	72

Figure 2

- A. READ INSTRUCTIONS CAREFULLY:** Read and adhere to these instructions. Do not allow anyone who has not read the instructions to assemble, light, adjust or operate the heater.

### WARNING

KEEP THE HEATER OUT OF THE REACH OF CHILDREN

- B. PROPANE IS VERY FLAMMABLE:** In the event of a leak, propane will accumulate and the possibility of a fire is present. Propane gas is scented and its strong odor is readily detectable. Never strike a match or bring any flame or create an electric spark in an enclosure when you smell propane gas. Ventilate the area thoroughly, move the heater outside, find and correct the source of the leak before attempting to light any appliance. If you are unsure of these instructions evacuate immediately and call for help.
- C. GAS LEAKAGE:** If the leak cannot be corrected, do not tamper with the heater; follow the shut down instructions and return the heater to the dealer or address given on last page.

### WARNING

DO NOT USE THIS HEATER ON BULK TANKS OF GREATER CAPACITY THAN 100 POUNDS LPG

- D. LEAK DETECTION:** Before each use of the heater check all fittings and connections with a soap solution to be sure there are no leaks. Be sure the POL fitting is hand wheel tightened into the On-Off valve on the propane cylinder. **NEVER, NEVER USE ANY FLAME FOR LEAK TEST.**

- E. **CONNECTING HEATER TO PROPANE CYLINDER:** Always connect the heater to the bulk cylinder in the outdoors or in a well ventilated area. NEVER connect this heater to a cylinder near an open flame.
- F. **USE OF HEATER:** Always operate the heater with the propane cylinder in an upright position on a level noncombustible surface. NEVER place the cylinder on its side when operating the heater.
- G. **ATTEND HEATER:** Do not leave heater unattended while it is in operation.
- H. **ALWAYS USE A MATCH TO LIGHT HEATER: NEVER** attempt to light the heater with a spark lighter.
- I. **DO NOT TAMPER:** Should the heater not perform properly, such as little or no heat when operating in the "Hi" position, or for any other reason, DO NOT ATTEMPT TO REPAIR OR TAMPER with the heater. Any tampering could make the use of the heater unsafe and dangerous. Return the heater to the dealer or the address given on last page for repair or replacement.
- J. **FOR STORAGE:** The heater Hi-Med-Lo-Off regulating valve should always be turned to "Off" when the heater is not in use. Allow at least 15 minutes for cooling before handling and storing. Detach propane cylinder from heater before storing. DO NOT store propane cylinders near open flame or heat.
- K. **DO NOT TRANSPORT OR MOVE APPLIANCE WHILE IN OPERATION OR WHILE HEATER IS ATTACHED. FOLLOW SHUTDOWN AND STORAGE INSTRUCTIONS TO TRANSPORT OR MOVE THIS APPLIANCE.**

### 3. VENTILATION

- A. **WARNING: This heater is an unvented appliance and MUST be used ONLY in a well ventilated area. NEVER** attempt to operate the heater inside any vehicle, camper or enclosure.
- B. **FOR OUTDOOR USE ONLY.** Any combustion process requires and consumes oxygen, and will produce carbon monoxide.
- C. **WARNING:** provide ample ventilation. This heater consumes air (oxygen). Do not use this heater in unventilated structures to avoid endangering your life. Provide additional ventilation for any additional fuel-burning appliances and additional occupants.

### 4. MINIMUM CLEARANCE FROM COMBUSTIBLE MATERIALS (Fig. 3)

- A. **WARNING: This heater is an unvented appliance and MUST be used ONLY in a well ventilated area. NEVER** attempt to operate the heater inside any vehicle, camper or enclosure.
- B. **WARNING:** To avoid injury or property damage never allow clothing, tents or other combustible material within 36" of the heater. This heater must be located at least 32" above the floor level when in use. Never operate the heater when sleeping.
- C. **WARNING:** Never direct the heat output of this heater toward any propane tank within 20 feet.

BTU/HR. RATING		NORMAL OPERATING PROCEDURE	CLEARANCES TO COMBUSTIBLES				
MODEL NO.	GAS PROPANE		FROM C.L. OF HTR. TO FLOOR	SIDES	REAR	CEILING	FRONT
MH45T	45,000	Vertical	32"	36"	36"	48"	48"

Figure 3

### 5. ASSEMBLY PROCEDURE

- A. Make sure the regulator knob on the heater is "off" by turning knob clockwise to the "OFF" position.
- B. Carefully screw POL nut directly into bulk propane cylinder, counterclockwise. REMEMBER – This is a left hand thread – see Figure 1. Make sure the heater is in a vertical upright position and directed away from the collar of the bulk tank. Use the hand wheel to tighten the POL fitting – left hand thread – see Fig. 1.

### 6. LIGHTING INSTRUCTIONS

- A. Before attempting to light the heater, check all fittings and connections with a soap solution. **NEVER USE A MATCH TO CHECK FOR LEAKS.** Should a gas leak occur, do not attempt to repair or use heater. Return the heater to your dealer or the address given on back page.
- B. Fuel – This heater must be used only with a vapor withdrawal LP gas bulk cylinder. THE BULK TANK MUST BE EQUIPPED WITH A STANDARD POL VALVE.

**WARNING:**  
USE HD.5 PROPANE GAS ONLY. DO NOT USE ANY OTHER TYPE FUEL. SEE YOUR PROPANE DEALER IF YOU HAVE ANY QUESTIONS REGARDING FUEL.

- C. Turn the heater's "Hi-Med-Lo-Off" regulator knob to "Med" (counterclockwise).
- D. To light a burner, MH45T Model, place a lit match across the mesh screen where you see "light here" on reflector. (See Fig. 4) THEN push in valve button on Safety Shutoff Valve. After the burner is lit, continue to hold valve button in for 30 seconds, then release the button slowly. **CAUTION: DO NOT PUSH IN VALVE BUTTON BEFORE INSERTING LIT MATCH.** Repeat step "D" for each burner.
- E. Adjust heat output by turning knob to desired position.
- F. If burner does not light within 30 seconds, turn the heater's regulator knob to "off" (clockwise) and allow at least five minutes for gas to dissipate before attempting to relight.
- G. **NOTE:** Should the orifice become clogged as indicated by low volume of gas when operating on "Hi" with a full cylinder, or should the heater fail to operate properly for any reason, return the heater to the dealer or the address given on back page for repair or replacement. DO NOT ATTEMPT TO REPAIR OR TAMPER WITH HEATER.
- H. **COOKING: DO NOT USE THIS HEATER FOR COOKING.**

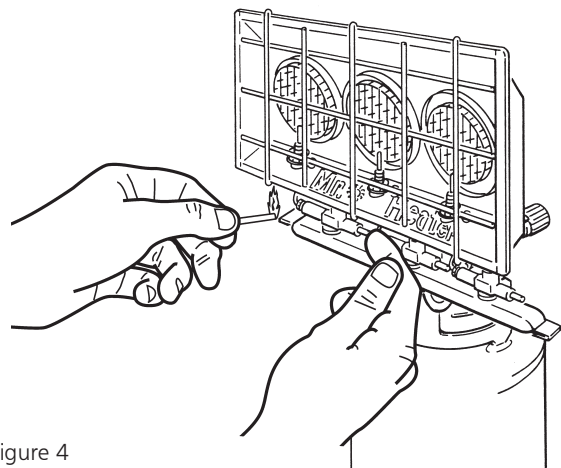
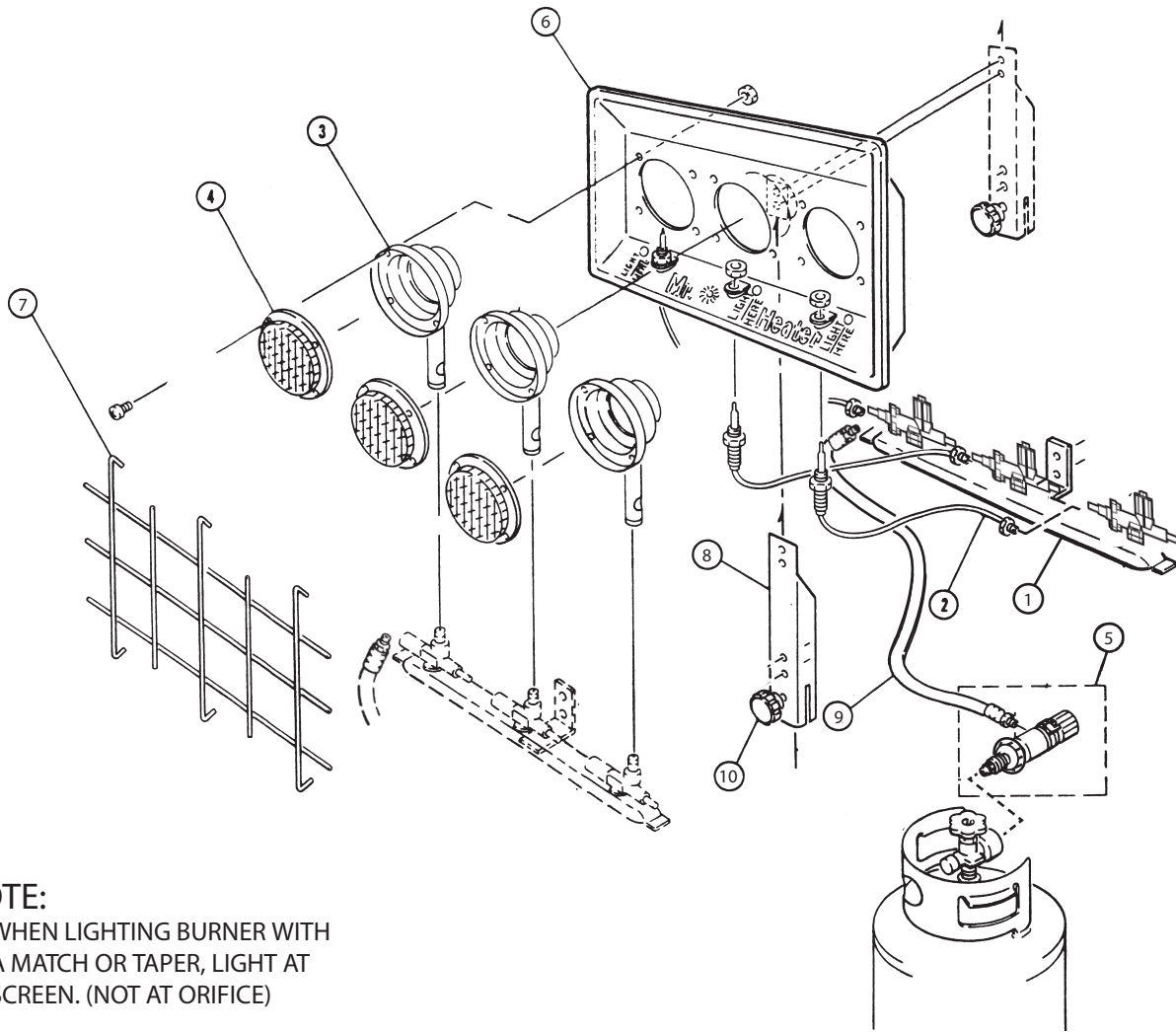


Figure 4



**NOTE:**

WHEN LIGHTING BURNER WITH A MATCH OR TAPER, LIGHT AT SCREEN. (NOT AT ORIFICE)

**REPLACEMENT PARTS LIST FOR HEATER MODEL MH45T FULLY ASSEMBLED WITH METAL GAS MANIFOLD**

REF #	ITEM#	DESCRIPTION
1	42906	Manifold with safety shutoffs and orifices
2	F273425	12 inch thermocouple lead (3)
3	42907	Plenum Assembly, Complete (3)
4	F232138	Screen Assembly (3)
5	F237314	Replacement Regulator with Soft Nose POL
6	_____	Reflector (Reference Only)
7	42908	Wire Guard
8	17412	Collar Mounting Bracket Assembly
9	42909	Hose Assembly/Less Regulator (11" Long)
10	17415	Locking Knob

Figure 6

ALL WARRANTY CLAIMS REQUIRE PROOF OF PURCHASE

## 7. SHUTDOWN AND STORAGE INSTRUCTIONS

- A. The bulk propane tank “on-off” valve should ALWAYS be completely turned “OFF” when the heater is not in use.
- B. When shutting off the heater, turn the regulator knob on the heater to “OFF” (clockwise). (See Figure 4)
- C. **CAUTION:** After turning unit off, heater will remain extremely hot. Allow at least 15 minutes for cooling before handling and storing. Detach heater from bulk tank before handling and storage. REMEMBER – POL fitting is a left-hand thread.
- D. **HEATER STORAGE:** Always remove the propane cylinder from the heater when not in use. Always store propane cylinders in a cool, well ventilated place away from any flame or heat and in a location not used for habitation. DO NOT STORE PROPANE TANK WITHIN 60 FT. OF OPEN FLAME OR HEAT.
- E. See Figure 6 for spare parts list.

## TROUBLE SHOOTING MR. HEATER APPLIANCE

The chart assumes that the proper gas and gas pressure is available to the heater. The chart also assumes that the heater is used in accordance with Mr. Heater installation and operating instructions.

PROBLEM	POSSIBLE CAUSE	SOLUTION
Burners will not light	Propane tank turned off Propane tank empty Heater regulator not turned on Safety Shutoff plunger not depressed Air in manifold or hose or propane tank Excess flow valve, in POL fitting, activated	Open tank valve Get tank filled Turn valve to medium position Depress S/S valve while lighting Purge air from unit Disconnect heater from tank, reinstall heater, open tank valve slowly, light heater
Hear gas but burners will not light (hissing)	Air in propane tank Defective regulator Partially plugged orifice	Return tank to dealer to purge air Replace Clean or replace
Burner lights, turns red but will not stay lit	Thermocouple not secure Thermocouple out of position Defective thermocouple Safety shutoff defective	Secure thermocouple Position tip 3/16" to 3/8" from screen Replace thermocouple Replace safety shutoff
Blue flame at top of heater screen	Out of storage Defective regulator	Clean all openings with H.P. air Replace regulator
Blue flame only – never gets red	Something in Venturi Orifice partially plugged Screen plugged up Excess flow valve, in POL fitting, activated	Clean venturi tube with wire Use high pressure air to clean venturi, orifice and/or screens Disconnect heater from tank, reinstall heater, open tank valve slowly, light heater
Connection at propane tank leaking gas after securing	“O-Ring” on POL missing or defective Valve seat on cylinder worn	Replace “O” ring or POL Return to dealer
Heater emits high pitched sound	Heater warming up	No Danger – heater warming up. Sound will stop in 1-3 minutes

If satisfactory results cannot be obtained after performing any of the above procedures,

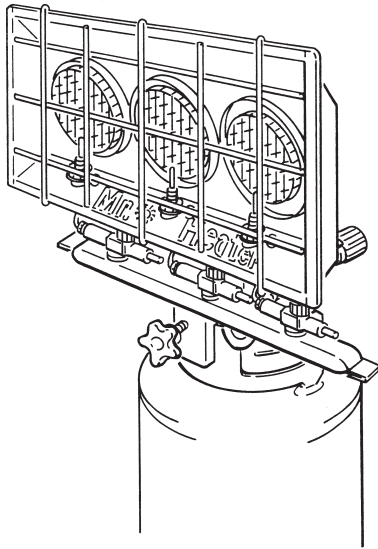
Please call Mr. Heater’s Customer Care Center at 1-800-251-0001. Thank you.



# OPERATING INSTRUCTIONS AND OWNER'S MANUAL

Model #

MH45T



## WARNING:

USE ONLY MANUFACTURER'S REPLACEMENT PARTS. USE OF ANY OTHER PARTS COULD CAUSE INJURY OR DEATH. REPLACEMENT PARTS ARE ONLY AVAILABLE DIRECT FROM THE FACTORY AND MUST BE INSTALLED BY A QUALIFIED SERVICE AGENCY.

## PARTS ORDERING INFORMATION:

**PURCHASING:** Accessories may be purchased at any Mr. Heater local dealer or direct from the factory

## FOR INFORMATION REGARDING SERVICE

Please call Toll-Free 800-251-0001  
[www.mrheater.com](http://www.mrheater.com)

Our office hours are 8:30 AM – 5:00 PM, EST, Monday through Friday.

Please include the model number, date of purchase, and description of problem in all communication.

## LIMITED WARRANTY

Mr Heater, Inc. warrants its heaters and accessories to be free from defects in material and workmanship for a period of 1 year from date of purchase. Mr Heater, Inc. will repair or replace this product free of charge if it has been proven to be defective within the 1-year period, and is returned at customer expense with proof of purchase to Mr Heater, Inc. within the warranty period.

Mr. Heater Inc. reserves the right to make changes at any time, without notice or obligation, in colors, specifications, accessories, materials and models.

ENERCO GROUP, INC., 4560 W. 160TH ST., CLEVELAND, OHIO 44135 • 216-916-3000  
Mr. Heater and Portable Buddy are registered trademarks of Enerco Group, Inc.  
© 2008, Enerco/Mr. Heater. All rights reserved





# INSTRUCCIONES DE USO Y MANUAL DEL USUARIO

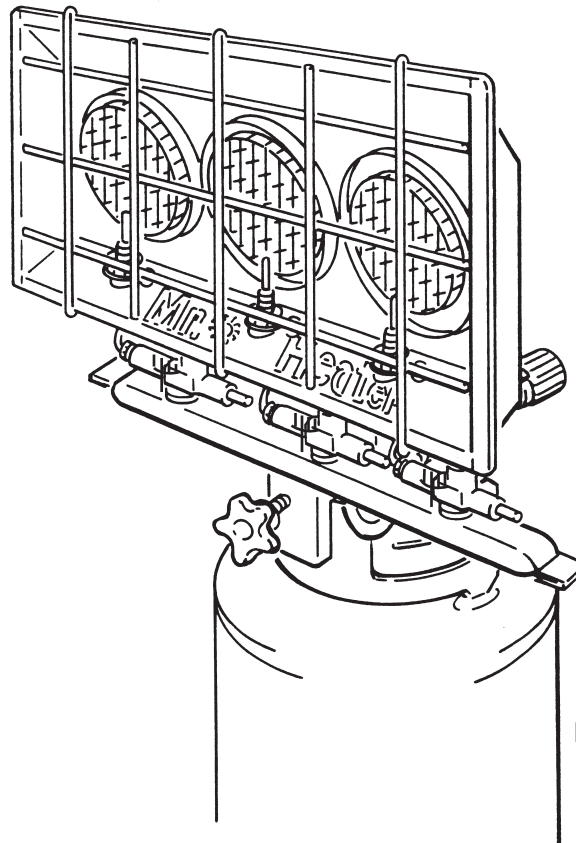
Modelo #

MH45T

**LEA CUIDADOSAMENTE LAS INSTRUCCIONES:** Lea y siga todas las instrucciones. Conserve estas instrucciones en un lugar seguro para futura referencia. No permita que nadie que no haya leído estas instrucciones arme, encienda, ajuste o use el calentador.

## CALENTADOR PORTÁTIL INFRARROJO A GAS

NO INCLUYE CILINDRO



MODELO MH45T

### IDIOMAS

INGLÉS

Páginas E1 — E8

▶ ESPAÑOL

Páginas S1 — S8

**ADVERTENCIA:** Si no se siguen al pie de la letra las instrucciones de este manual, podría producirse un incendio o una explosión que provocaría daños materiales, lesiones o muertes.

- No almacene ni utilice gasolina ni ningún otro vapor ni líquido inflamable cerca de este ni de ningún otro artefacto.
- Los cilindros LP que no están conectados al calentador no deben almacenarse cerca de este ni de ningún otro artefacto.
- QUÉ HACER SI DETECTA OLOR A GAS
  - No intente encender el artefacto.
  - Apague todas las llamas expuestas.
  - Corte el suministro de gas al artefacto.
- El mantenimiento debe realizarlo una agencia de servicios calificada.
- NO DEJE EL CALENTADOR DESATENDIDO Y NO LO DEJE FUNCIONANDO MIENTRAS DUERME

Este calentador portátil a gas no tiene una fuente propia de ventilación. Utiliza el aire (oxígeno) del área en la cual se emplea. Debe suministrarse el aire necesario para la ventilación y la combustión. Ver página 3.

### **ADVERTENCIA:**

SU SEGURIDAD ES IMPORTANTE PARA USTED Y PARA LOS DEMÁS, ASÍ QUE POR FAVOR LEA ESTAS INSTRUCCIONES ANTES DE UTILIZAR EL CALENTADOR.

### **ADVERTENCIA GENERAL DE PELIGRO:**

EL NO CUMPLIR CON LAS PRECAUCIONES E INSTRUCCIONES QUE VIENEN CON ESTE CALENTADOR PUEDE CAUSAR LA MUERTE, LESIONES GRAVES Y PÉRDIDAS Y DAÑOS MATERIALES DERIVADOS DEL PELIGRO DE INCENDIO, EXPLOSIÓN, QUEMADURAS, ASFIXIA, ENVENENAMIENTO CON MONÓXIDO DE CARBONO, Y/O DESCARGAS ELÉCTRICAS. SOLO LAS PERSONAS QUE ENTIENDAN Y PUEDAN SEGUIR LAS INSTRUCCIONES DEBEN USAR O MANTENER ESTE CALENTADOR. SI NECESITA AYUDA O INFORMACIÓN ACERCA DEL CALENTADOR, COMO UN MANUAL DE INSTRUCCIONES, ETIQUETAS, ETC., PÓNGASE EN CONTACTO CON EL FABRICANTE.

### **ADVERTENCIA:**

#### **EL MONÓXIDO DE CARBONO PUEDE CAUSARLE LA MUERTE**

UTILIZAR UN CALENTADOR PORTÁTIL A GAS PARA ACAMPAR DENTRO DE UNA CARPA, CASA RODANTE, CAMPER, VEHÍCULO, REFUGIO O CUALQUIER OTRO LOCAL CERRADO PUEDE PRODUCIR MONÓXIDO DE CARBONO LETAL.

### **ADVERTENCIA:**

NO APTO PARA USAR EN EL HOGAR NI EN CASAS RODANTES

### **ADVERTENCIA:**

PELIGRO DE INCENDIO, QUEMADURAS, INHALACIÓN Y EXPLOSIÓN. MANTENGA LOS COMBUSTIBLES SÓLIDOS, TALES COMO MATERIALES DE CONSTRUCCIÓN, PAPEL O CARTÓN, A UNA DISTANCIA SEGURA DEL CALENTADOR. COMO SE RECOMIENDA EN LAS INSTRUCCIONES, NUNCA USE EL CALENTADOR EN ESPACIOS QUE CONTENGAN O PODRÍAN CONTENER COMBUSTIBLES VOLÁTILES O GASEOSOS, NI PRODUCTOS COMO GASOLINA, SOLVENTES, DILUYENTES DE PINTURA, PARTÍCULAS DE POLVO O PRODUCTOS QUÍMICOS DESCONOCIDOS.

### **ADVERTENCIA:**

#### **El estado de California requiere la siguiente advertencia:**

UNA DE LAS SUSTANCIAS QUE SE DESPRENDE EN LA COMBUSTIÓN AL USAR ESTE EQUIPO ES EL MONÓXIDO DE CARBONO, UN PRODUCTO QUÍMICO QUE DE ACUERDO CON EL ESTADO DE CALIFORNIA PRODUCE CÁNCER Y DEFECTOS DE NACIMIENTO (U OTROS DAÑOS REPRODUCTIVOS).

## CONTENIDO

ADVERTENCIAS .....	S-2
INFORMACIÓN DE CONEXIÓN .....	S-2
INFORMACIÓN GENERAL .....	S-3
ADVERTENCIA DE DISIPACIÓN DEL OLOR .....	S-3
PARA UN FUNCIONAMIENTO SEGURO .....	S-4
VENTILACIÓN .....	S-5
DISTANCIA MÍNIMA DE MATERIALES COMBUSTIBLES .....	S-5
PROCEDIMIENTO DE ENSAMBLAJE .....	S-5
INSTRUCCIONES DE ENCENDIDO .....	S-5
LISTA DE PARTES DE REPUESTO .....	S-6
APAGADO Y ALMACENAMIENTO .....	S-7
SOLUCIÓN DE PROBLEMAS .....	S-7
GARANTÍA .....	S-8
INSTRUCCIONES PARA ORDENAR PARTES .....	S-8

## INFORMACIÓN DE CONEXIÓN

- 1.1 El modelo de calentador MH45T se empaqa completamente ensamblado, exceptuando el soporte de montaje para el cuello del tanque. Los cilindros de propano no están incluidos en estos modelos de calentador.
- 1.2 Saque el calentador de la caja.
- 1.3 Alinee los orificios para los pernos en el cuello del tanque con los orificios de la placa central del colector.

### **CUIDADO:**

ASEGÚRESE DE QUE LA PERILLA DE TRABA DEL SOPORTE DE MONTAJE PARA EL CUELLO QUEDE FUERA DEL CUELLO DEL TANQUE. Ajuste la perilla negra contra el cuello del tanque.

- 1.4 Fíjelo con los tornillos suministrados.
- 1.5 Coloque las ranuras del soporte negro de montaje para el cuello sobre el cuello del tanque (vea la Fig. 1).
- 1.6 Verifique que la válvula del tanque esté en la posición "OFF" (apagada) (sentido horario).
- 1.7 Verifique que la perilla del regulador esté en la posición "OFF" (apagada) girando la perilla en sentido horario hasta esa posición.
- 1.8 Enrosque cuidadosamente la tuerca del POL directamente en la válvula del tanque y ajústela con la mano, girándola en sentido contra horario; luego ajuste el POL dentro de la válvula del tanque usando la manivela. Luego revise que no hayan fugas.
- 1.9 Siempre conecte el calentador al tanque en el exterior o en un área bien ventilada. **NUNCA** conecte el calentador al tanque cerca de una llama expuesta.

1.10 Use únicamente cilindros de gas LP contruidos para uso exclusivo con propano (HD-5) y marcados de acuerdo con las especificaciones para cilindros de gas LP del Departamento de Transporte Estadounidense (DOT Spec. 39).

1.11 Lea todo el manual antes de encender el calentador.

### **ADVERTENCIA**

Nunca toque el calentador cuando esté funcionando para evitar heridas. Mueva el calentador sosteniendo cuidadosamente el cilindro de propano.

## 1. INFORMACIÓN GENERAL

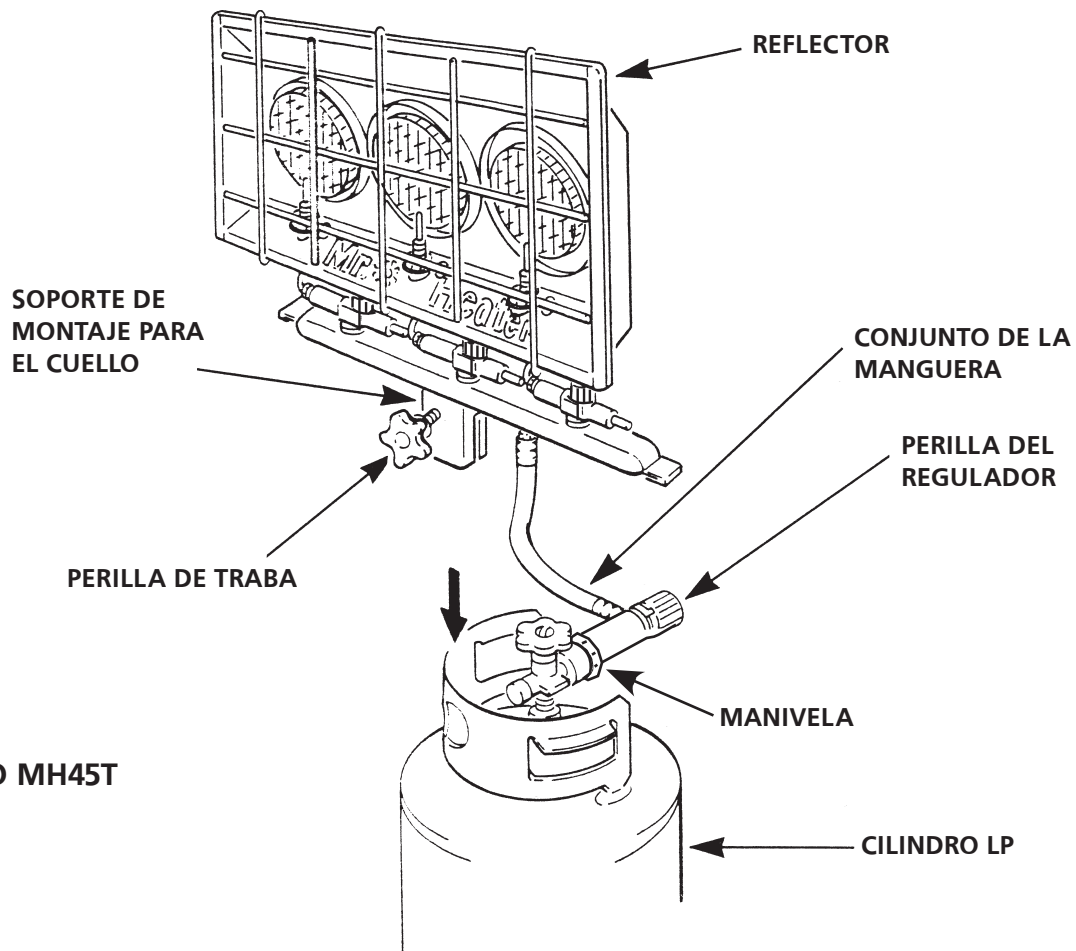
- A. El Mr. Heater MH45T es un artefacto de propano de alta presión y está diseñado para conectarse a un tanque de propano. Todas las unidades se someten a prueba durante la fabricación y se distribuyen completamente armadas, excepto por el tanque.
- B. Estos calentadores están equipados con tres llaves de paso de seguridad automáticas. El flujo de gas se detendrá automáticamente si el calentador deja de funcionar por cualquier motivo.
- C. El Regulador/Válvula de control Hi-Med-Lo-Off (Alto-Medio-Bajo-Apagado) le proporciona máxima seguridad y comodidad. La siguiente tabla muestra una relación del consumo aproximado de BTUs y la cantidad de horas de duración que razonablemente puede esperar de un cilindro de propano completo. Fig. 2.

## ADVERTENCIA DE DISIPACIÓN DEL OLOR

### **ADVERTENCIA**

#### **Peligro de asfixia**

- No utilice este calentador para calentar locales habitados por personas.
- No lo utilice en áreas sin ventilación.
- No obstruya el flujo de aire necesario para la combustión y la ventilación.
- Deberá suministrar la ventilación adecuada para garantizar que el calentador disponga del aire que necesita para la combustión.
- Consulte la sección de especificaciones del manual del calentador, la placa del calentador, o póngase en contacto con el fabricante para conocer los requerimientos de ventilación del calentador.
- Si la ventilación no es la adecuada, la combustión no se llevará a cabo correctamente.
- Una combustión inadecuada puede producir envenenamiento con monóxido de carbono con graves daños para la salud, o causar la muerte.
- Los síntomas de envenenamiento con monóxido de carbono incluyen dolores de cabeza, mareos y dificultad al respirar.



**MODELO MH45T**

Figura 1

## OLOR A GAS COMBUSTIBLE

Los gases LP y el gas natural contienen sustancias aromáticas artificiales añadidas específicamente para facilitar la detección de fugas de gas.

Si se produjera una fuga de gas, usted debe poder oler el gas combustible. Dado que el propano (LP) es más pesado que el aire, debe tratar de detectar el olor lo más cerca del piso posible. ¡CUALQUIER OLOR A GAS SERÁ LA SEÑAL PARA TOMAR MEDIDAS INMEDIATAMENTE!

- No haga nada que pudiera inflamar el gas combustible. No active ningún interruptor eléctrico. No desconecte ninguna toma de corriente ni cables de extensión. No encienda fósforos ni ninguna otra fuente de llamas. No utilice su teléfono.
- Saque a todas las personas del edificio y aléjelos del área inmediatamente.
- Cierre todas las válvulas de suministro de combustible de los tanques o del tanque del gas propano (LP), o la válvula principal de suministro de combustible que se encuentra en el metro contador si emplea gas natural.
- El gas propano (LP) es más pesado que el aire y puede asentarse en áreas bajas. Cuando sospeche que puede haber una fuga de propano, manténgase alejado de las áreas bajas.
- Utilice el teléfono de su vecino y llame a su proveedor de gas y a su departamento de bomberos. No vuelva a entrar al edificio ni se acerque al área.
- Manténgase alejado del edificio y del área hasta que los bomberos y su proveedor de gas hayan declarado que no hay peligro.
- POR ÚLTIMO, permita que la persona del servicio de gas y los bomberos revisen si hay fugas de gas. Haga que ventilen el edificio y el área antes de su regreso. Un agente de servicios calificado debe reparar cualquier fuga, revisar si hay otras fugas, y volver a encender el artefacto por usted.

## DISIPACIÓN DEL OLOR - NO SE DETECTA NINGÚN OLOR

- Algunas personas tienen problemas de olfato. Algunos no pueden detectar el olor del químico artificial añadido al propano (LP) o al gas natural. Debe determinar si es capaz de oler la sustancia aromática que contienen estos gases combustibles.
- Aprenda a reconocer el olor del gas propano (LP) y del gas natural. Los distribuidores locales de propano (LP) le darán con gusto un panfleto con muestras de olores. Utilícelo para familiarizarse con el olor del gas combustible.
- El hábito de fumar puede disminuir su sentido del olfato. Exponerse a un olor durante un período de tiempo puede afectar su sensibilidad a ese olor específico. Los olores presentes en instalaciones donde se crían animales pueden enmascarar el olor del gas combustible.
- La sustancia aromática presente en el gas propano (LP) y en el gas natural es incolora y la intensidad de su olor puede desvanecerse en algunas circunstancias.**
- Si hay una fuga subterránea, el recorrido del gas a través del suelo filtrará esta sustancia aromática.
- El aroma del gas propano (LP) puede variar en intensidad a diferentes niveles. Dado que el gas propano (LP) es más pesado que el aire, el olor puede ser más intenso en los niveles más bajos.
- Manténgase siempre alerta al más mínimo olor a gas.** Si continúa percibiendo el olor a gas, no importa cuán poco sea, proceda como si fuera una fuga seria. Tome medidas inmediatamente como se explicó anteriormente.

## ATENCIÓN - ¡PUNTOS IMPORTANTES A RECORDAR!

- El gas propano (LP) tiene un olor característico. Aprenda a reconocer estos olores. (Vea las secciones Olor a gas combustible y Disipación del olor).
- Aunque usted no esté capacitado para dar mantenimiento y reparar el calentador, SIEMPRE esté al tanto de los olores del gas propano (LP) y del gas natural.
- Si no ha recibido capacitación para reparar y dar mantenimiento a equipos que emplean gas propano (LP), no intente encender el calentador, ni darle mantenimiento o repararlo, ni haga ningún ajuste al calentador en el sistema de combustible de gas propano.
- Una prueba olfativa periódica en las proximidades del calentador o en las conexiones del calentador, por ejemplo, en la manguera, los acoples, etc, es una buena costumbre en todo momento. Si huele la más mínima cantidad de gas, PÓNGASE EN CONTACTO CON SU PROVEEDOR DE GAS INMEDIATAMENTE. ¡NO ESPERE!

## 2. PARA UN FUNCIONAMIENTO SEGURO

Quemadores funcionando	Posición de la válvula	BTU de entrada	Horas aproximadas de funcionamiento	
			Cilindro de 9Kg (20lb)	Cilindro de 45Kg (100lb)
1	Hi	15.000	23	144
1	Med	12.000	29	180
1	Lo	10.000	35	216
2	Hi	30.000	12	72
2	Med	24.000	15	90
2	Lo	20.000	18	110
3	Hi	45.000	8	48
3	Med	36.000	9	56
3	Lo	30.000	12	72

Figura 2

- A. LEA CUIDADOSAMENTE LAS INSTRUCCIONES:** Lea y siga las siguientes instrucciones. No permita que nadie que no haya leído las instrucciones arme, encienda, ajuste o use el calentador.

### ADVERTENCIA

MANTENGA EL CALENTADOR FUERA DEL ALCANCE DE LOS NIÑOS

- B. EL PROPANO ES MUY INFLAMABLE:** De producirse una fuga, el propano se acumulará y podría desatarse un incendio. El gas propano tiene un olor característico fuerte que puede ser detectado fácilmente. Nunca encienda fósforos ni ningún tipo de llama, ni provoque una chispa eléctrica en un recinto donde haya olor a gas propano. Ventile el área a fondo, saque el calentador al exterior, encuentre y repare la fuente de la fuga antes de encender cualquier electrodoméstico. Si no está seguro de estas instrucciones desaloje el área inmediatamente y pida ayuda.
- C. FUGAS DE GAS:** Si no puede reparar la fuga, no realice ajustes al calentador, siga las instrucciones de apagado y devuelva el calentador al distribuidor o a la dirección que aparece en la última página.

### ADVERTENCIA

NO USE ESTE CALENTADOR EN TANQUES LPG DE MÁS DE 45KG DE CAPACIDAD

- D. DETECCIÓN DE FUGAS:** Antes de utilizar el calentador, revise siempre todos los conductos y conexiones utilizando agua jabonosa para asegurarse de que no haya fugas. Verifique que el acople del POL esté ajustado con la mano dentro de la válvula de encendido del cilindro de propano. **NUNCA UTILICE NINGÚN TIPO DE LLAMA PARA LA COMPROBACIÓN DE FUGAS.**

- E. CONEXIÓN DEL CALENTADOR AL CILINDRO DE PROPANO:** Siempre conecte el calentador al cilindro al aire libre, o en un área bien ventilada. NUNCA conecte este calentador al cilindro cerca de una llama expuesta.
- F. USO DEL CALENTADOR:** Utilice siempre el calentador con el cilindro de propano en posición vertical en una superficie nivelada no combustible. NUNCA coloque el cilindro acostado al utilizar el calentador.
- G. SUPERVISIÓN DEL CALENTADOR:** No deje el calentador desatendido mientras está funcionando.
- H. USE SIEMPRE UN FÓSFORO PARA ENCENDER EL CALENTADOR: NUNCA** intente encender el calentador con un encendedor a chispa.
- I. NO MODIFICAR:** Si el calentador no funciona correctamente, si por ejemplo calienta poco o no calienta en la posición "Hi" (Alto), o por cualquier otra razón, NO INTENTE REPARARLO NI HACERLE MODIFICACIÓN ALGUNA. Cualquier modificación podría hacer que el uso del calentador se torne riesgoso o peligroso. Devuelva el calentador al distribuidor o a la dirección que aparece en la última página para reparación o para cambiarlo por otro.
- J. ALMACENAMIENTO:** La válvula de regulación Hi-Med-Lo-Off (Alto-Medio-Bajo-Apagado) del calentador siempre debe encontrarse en la posición de "Off" cuando no esté utilizando el calentador. Déjelo enfriar por al menos 15 minutos antes de manipularlo y guardarlo. Desconecte el cilindro de propano del calentador antes de guardarlo. NO guarde los cilindros de propano cerca de llamas expuestas o fuentes de calor.
- K. NO TRANSPORTE NI MUEVA EL ARTEFACTO MIENTRAS ESTÉ FUNCIONANDO NI CUANDO ESTÉ CONECTADO EL CALENTADOR. SIGA LAS INSTRUCCIONES DE APAGADO Y ALMACENAMIENTO PARA TRANSPORTAR O MOVER ESTE ARTEFACTO.**

### 3. VENTILACIÓN

- A. ADVERTENCIA:** Este calentador es un artefacto sin ventilación y DEBE usarse ÚNICAMENTE en un área bien ventilada. NUNCA intente usar el calentador dentro de un vehículo, camper o lugar cerrado.
- B. PARA USO AL AIRE LIBRE SOLAMENTE.** Todo proceso de combustión requiere y consume oxígeno, y produce monóxido de carbono.
- C. ADVERTENCIA:** proporciónele buena ventilación. Este calentador consume aire (oxígeno). No use este calentador en lugares sin ventilación para evitar poner su vida en peligro. Proporcione ventilación adicional por cada artefacto a combustible y ocupantes adicionales.

### 4. DISTANCIA MÍNIMA A MATERIALES COMBUSTIBLES (Fig. 3)

- A. ADVERTENCIA:** Este calentador es un artefacto sin ventilación y DEBE usarse ÚNICAMENTE en un área bien ventilada. NUNCA intente usar el calentador dentro de un vehículo, camper o lugar cerrado.
- B. ADVERTENCIA:** Para evitar heridas o daños materiales, nunca permita que la ropa, las carpas o cualquier otro material combustible esté a menos de 91 cm del calentador. Este calentador debe ubicarse por lo menos a 81 cm por encima del piso cuando se use. Nunca use el calentador mientras duerme.
- C. ADVERTENCIA:** Nunca apunte la salida del calentador hacia un tanque de propano que esté a menos de 6 m.

BTU/HORA		POSICIÓN NORMAL DE FUNCIONAM.	DISTANCIA A COMBUSTIBLES				
MODELO NO.	GAS PROPANO		DESDE EL CENTRO DEL CALEF. AL PISO	LADOS	ATRÁS	TECHO	FRENTE
MH45T	45.000	Vertical	81 cm	91 cm	91 cm	122 cm	122 cm

Figura 3

### 5. PROCEDIMIENTO DE ENSAMBLAJE

- A.** Verifique que la perilla del regulador del calentador esté en "off" girándola hasta la posición "OFF".
- B.** Enrosque cuidadosamente la tuerca POL directamente sobre el cilindro de propano en sentido contra horario. RECUERDE - Esta es una rosca izquierda - vea la Figura 1. Verifique que el calentador esté en posición vertical y apuntando hacia afuera del cuello del tanque. Use la manivela para ajustar el acople del POL - con rosca izquierda - vea la Fig. 1.

### 6. INSTRUCCIONES DE ENCENDIDO

- A.** Antes de encender el calentador, verifique todos los acoples y conexiones con una solución de jabón. **NUNCA USE UN FÓSFORO PARA BUSCAR FUGAS.** Si encuentra una fuga de gas, no intente reparar o usar el calentador. Retorne el calentador al distribuidor o a la dirección indicada en la contratapa.
- B.** Combustible. Este calentador debe usarse únicamente con un cilindro de gas LP de recuperación de vapor. EL TANQUE DE GAS DEBE ESTAR EQUIPADO CON UNA VÁLVULA POL.

**⚠ ADVERTENCIA:**  
 UTILICE SOLAMENTE GAS PROPANO HD.5. NO UTILICE NINGÚN OTRO TIPO DE COMBUSTIBLE. CONTACTE A SU DISTRIBUIDOR DE PROPANO SI TIENE ALGUNA PREGUNTA SOBRE EL COMBUSTIBLE.

- C.** Ajuste la perilla del regulador "Hi-Med-Lo-Off" a la posición de "Med" (en sentido contra horario).
- D.** Para encender el quemador en el modelo MH45T, coloque un fósforo encendido sobre la rejilla protectora donde aparece la indicación "Light here" (Encender aquí) en el reflector. (Ver Fig. 4) A CONTINUACIÓN presione el botón de la válvula en la llave de paso de seguridad. Una vez encendido el quemador, mantenga presionado el botón de la válvula durante 30 segundos, luego suéltelo lentamente. **CUIDADO:** NO PRESIONE EL BOTÓN DE LA VÁLVULA ANTES DE INSERTAR EL FÓSFORO ENCENDIDO. Repita el paso D para cada quemador.
- E.** Ajuste el nivel de calor llevando el botón a la posición deseada.
- F.** Si el quemador no se enciende dentro de los 30 segundos, mueva el botón del regulador del calentador a la posición de "Off" (en sentido horario) y deje disipar el gas durante al menos 5 minutos antes de volver intentar encenderlo.
- G. NOTA:** Si se atasca el orificio, lo que podría notar si hay un bajo volumen de gas mientras el equipo funciona en "Hi" (Alto) con un cilindro lleno, o si el calentador dejara de funcionar correctamente por cualquier razón, devuelva el calentador al distribuidor o a la dirección que aparece en la última página para reparación o para cambiarlo por uno nuevo. NO INTENTE REPARAR O HACER AJUSTES AL CALENTADOR.
- H. PARA COCINAR: NO USE ESTE CALENTADOR PARA COCINAR.**

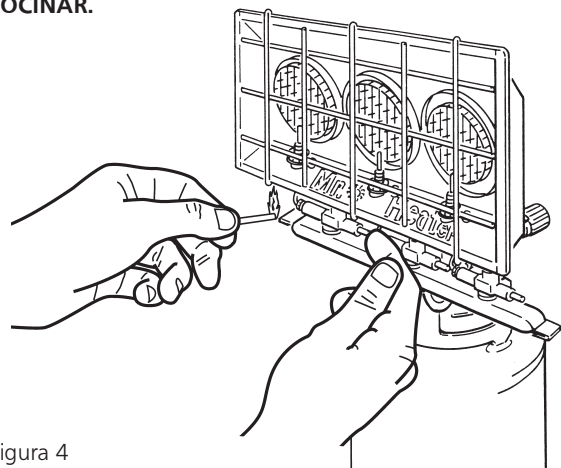


Figura 4

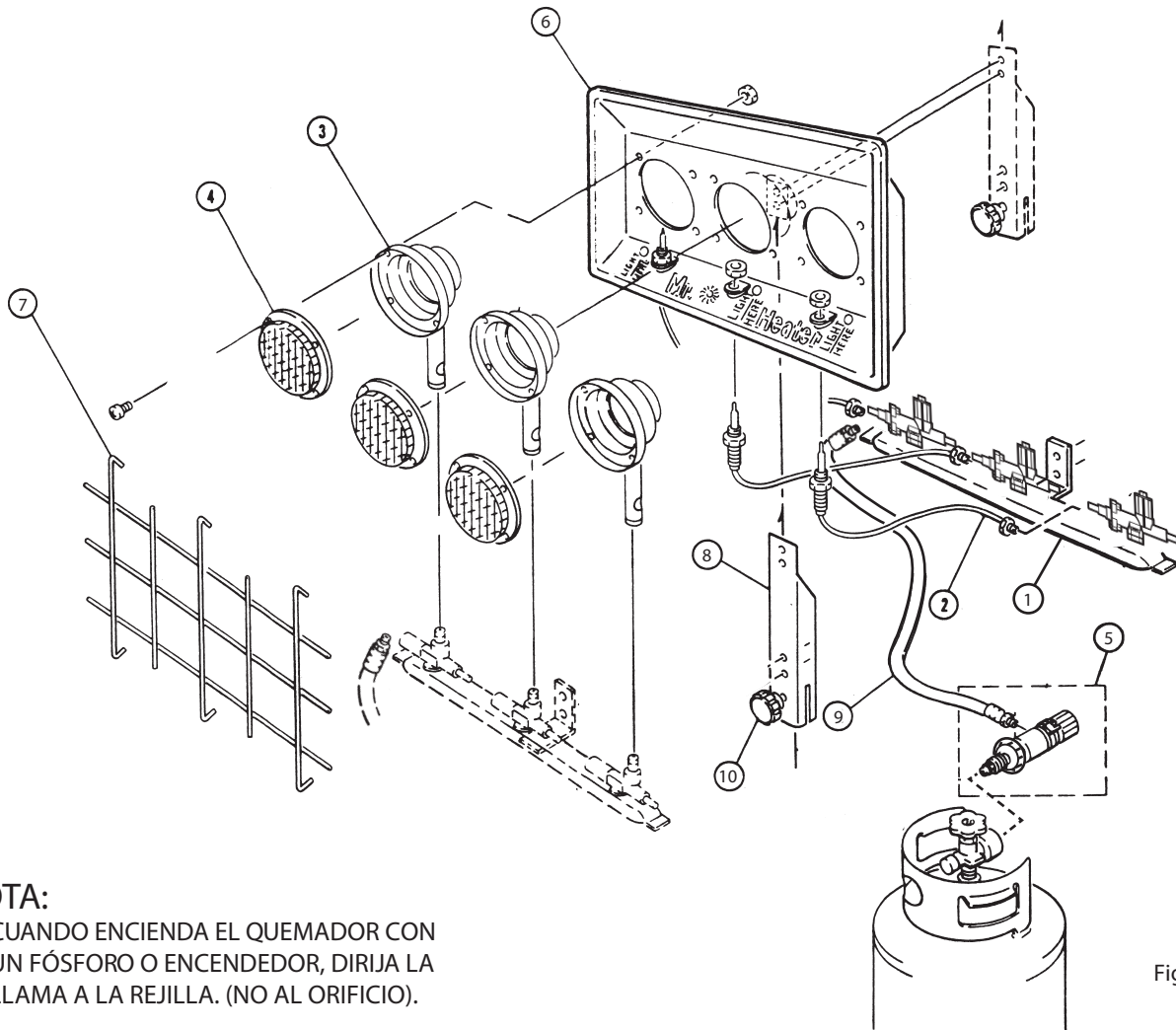


Figura 5

**NOTA:**

CUANDO ENCIENDA EL QUEMADOR CON UN FÓSFORO O ENCENDEDOR, DIRIJA LA LLAMA A LA REJILLA. (NO AL ORIFICIO).

**LISTA DE PARTES DE REEMPLAZO PARA EL CALENTADOR MODELO MH45T COMPLETAMENTE ARMADO CON MÚLTIPLE METÁLICO PARA GAS**

REF.#	PARTE#	DESCRIPCIÓN
1	42906	Colector con llave de seguridad y orificios
2	F27345	Cable de termocupla de 30 cm (3)
3	42907	Cámara de aire, completa (3)
4	F232138	Rejilla (3)
5	F237314	Regulador de reemplazo con boquilla blanda, POL
6	—————	Reflector (Sólo para referencia)
7	42908	Cubierta de alambre
8	17412	Soporte de montaje para el cuello
9	42909	Manguera/sin regulador (28 cm de largo)
10	17415	Perilla de traba

Figura 6

**PARA TODA RECLAMACIÓN DE GARANTÍA DEBERÁ PRESENTAR CONSTANCIA DE COMPRA**

## 7. INSTRUCCIONES DE APAGADO Y ALMACENAMIENTO

- A. La llave de paso del tanque de propano SIEMPRE debe estar bien cerrada en la posición de "OFF" cuando el calentador no está funcionando.
- B. Para apagar el calentador, lleve el botón de regulación del calentador a la posición de "OFF" (a favor de las manecillas del reloj). (Ver Figura 4).
- C. **CUIDADO:** Después de apagar la unidad, el calentador permanecerá extremadamente caliente. Déjelo enfriar por al menos 15 minutos antes de manipularlo y guardarlo. Desconecte

el calentador del cilindro antes de manipularlo y guardarlo. RECUERDE - el acople del POL es de rosca izquierda.

- D. **ALMACENAMIENTO DEL CALENTADOR:** Siempre retire el cilindro de propano del calentador cuando no lo esté utilizando. Guarde siempre los cilindros de propano en un lugar fresco, bien ventilado, lejos de cualquier llama o fuente de calor y en un local no habitado. NO GUARDE LOS CILINDROS DE PROPANO A MENOS DE 18 METROS DE DISTANCIA DE LLAMAS EXPUESTAS O FUENTES DE CALOR.
- E. Ver Figura 6 para conocer la lista de partes de repuesto.

## GUÍA DE DIAGNÓSTICO DE PROBLEMAS PARA ARTEFACTOS MR. HEATER

El cuadro asume que cuenta con el gas y la presión de gas adecuados para el calentador. El cuadro también asume que el calentador se usa de acuerdo con las instrucciones de instalación y operación de Mr. Heater.

PROBLEMA	POSIBLE CAUSA	SOLUCIÓN
El quemador no enciende	Tanque de propano cerrado Tanque de propano vacío Llave del regulador apagada Botón de la llave de seguridad no presionado Aire en el colector o en la manguera o en el tanque Válvula de exceso de flujo activada en el acople del POL	Abra la válvula del tanque Llene el tanque Gire la válvula a la posición media Presione la V/S mientras lo enciende Drene el aire de la unidad Desconecte el calentador del tanque y vuelva a instalar el calentador, abra la válvula del tanque lentamente, encienda el calentador
Se escucha el gas pero el quemador no se enciende (soplido)	Aire en el tanque de propano Regulador defectuoso Orificio parcialmente obstruido	Devuelva el tanque al distribuidor para purgar el aire Reemplácelo Límpielo o reemplácelo
El quemador se enciende, se vuelve rojo pero no se mantiene encendido	Termocupla floja Termocupla fuera de lugar Termocupla defectuosa Válvula de seguridad defectuosa	Asegure la termocupla Coloque la punta entre 0,5 cm y 1 cm de la pantalla Reemplace la termocupla Reemplace la válvula de seguridad
Llama azul en la parte de arriba de la pantalla del quemador	Salió de almacenamiento Regulador defectuoso	Limpie todas las aberturas con aire comprimido Reemplace el regulador
Llama azul únicamente - nunca se vuelve roja	Algo en el Venturi Orificio parcialmente obstruido Pantalla obstruida Válvula de exceso de flujo activada en el acople del POL	Limpie el tubo de Venturi con un alambre Use aire comprimido para limpiar el Venturi, el orificio y/o las pantallas Desconecte el calentador del tanque, vuelva a instalar el calentador, abra lentamente la válvula del tanque, enciéndalo
Conexión al tanque de propano con fugas de gas	Anillo O del POL no instalado o defectuoso Asiento de la válvula gastado en el cilindro	Reemplace el anillo O o el POL Devuélvalo al distribuidor
El calentador emite un ruido agudo	El calentador se calienta	No hay peligro - el calentador se calienta. El sonido se detendrá en 1-3 minutos

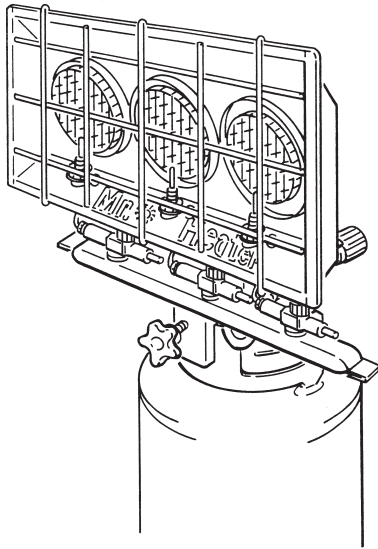
Si no se pueden obtener resultados satisfactorios luego de realizar alguno de los procedimientos anteriores, llame al servicio al cliente de Mr. Heater al 1-800-251-0001. Gracias.



# INSTRUCCIONES DE USO Y MANUAL DEL USUARIO

Modelo #

MH45T



## ADVERTENCIA:

USE SOLAMENTE PARTES DE REEMPLAZO DEL FABRICANTE. EL USO DE CUALQUIER OTRA PARTE PODRÍA CAUSAR HERIDAS O LA MUERTE. LAS PARTES DE REEMPLAZO ESTÁN DISPONIBLES ÚNICAMENTE EN LA FÁBRICA Y DEBEN SER INSTALADAS POR UNA AGENCIA DE SERVICIO CALIFICADA.

## INFORMACIÓN PARA ORDENAR PARTES:

**COMPRAS:** Puede comprar accesorios en cualquier distribuidor local de Mr. Heater o directamente de la fábrica

### POR INFORMACIÓN ACERCA DE REPARACIONES

Llame sin cargo al 800-251-0001  
[www.mrheater.com](http://www.mrheater.com)

Nuestro horario de trabajo es de 8:30 AM a 5:00 PM, de lunes a viernes.

Por favor, incluya el número de modelo, la fecha de compra y la descripción del problema en todas sus comunicaciones.

## GARANTÍA LIMITADA

Mr. Heater, Inc. garantiza la calidad material y la factura de sus calentadores y sus accesorios por un período de 1 año a partir de la fecha de compra. Mr. Heater, Inc. reparará o reemplazará este producto sin cargo si presentara desperfectos dentro del primer año tras realizada la compra, siempre y cuando el cliente cubra los gastos de la devolución y presente el comprobante de compra a Mr. Heater dentro del período de garantía.

Mr. Heater Inc. se reserva el derecho de hacer cambios en cualquier momento, sin previo aviso, en los colores, especificaciones, accesorios, materiales y modelos.

ENERCO GROUP, INC., 4560 W. 160TH ST., CLEVELAND, OHIO 44135 • 216-916-3000  
Mr. Heater y Portable Buddy son marcas registradas de Enerco Group, Inc.  
© 2008, Enerco/Mr. Heater. Todos los derechos reservados.